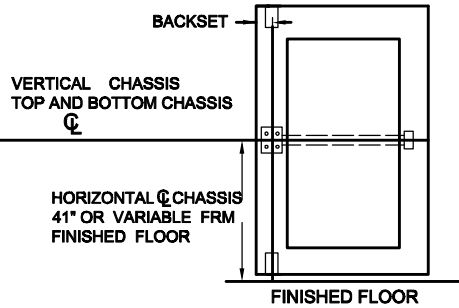


1. MARK VERTICAL AND HORIZONTAL REFERENCE LINE ON DOOR.

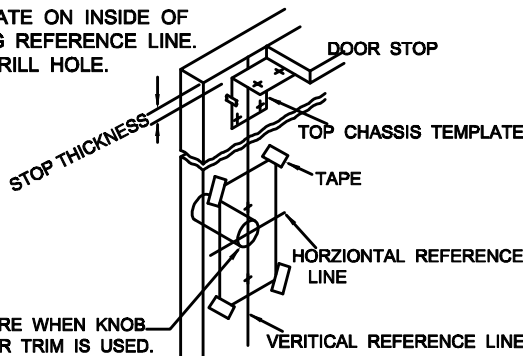
DETERMINE BACKSET TO LOCATE VERICAL REFERENCE LINE.

- A. IF LOCK STILE IS 4-1/2" WIDE OR WIDER BACKSET IS 2-3/4".
- B. IF LOCK STILE IS LESS THAN 4-1/2" WIDE, BACKSET IS HALF OF THE EXPOSED WIDTH OF LOCK STILE.



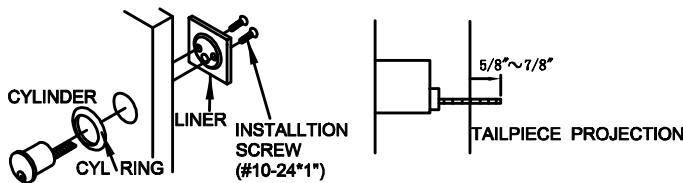
2. PREPARE DOOR

TAPE TEMPLATE ON INSIDE OF DOOR ALONG REFERENCE LINE. SPOT AND DRILL HOLE.

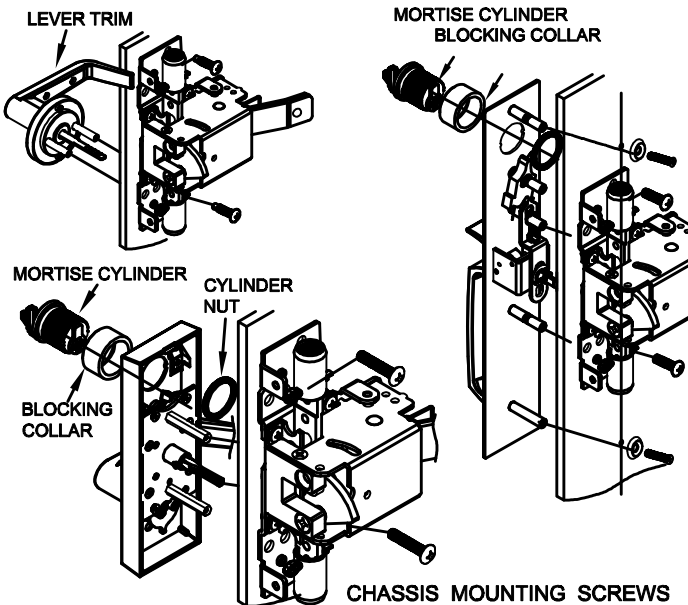


3. INSTALL CYLINDER

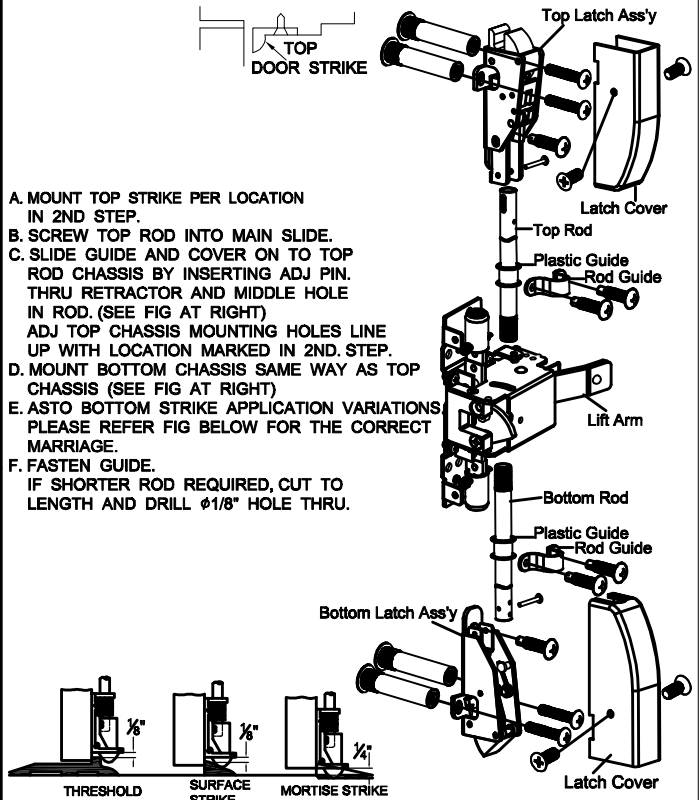
- A. INSERT THE CYLINDER THROUGH CYL RING THE HOLE ON THE DOOR.
- B. KEEP THE TAIL PIECE HORIZONTALLY.
- C. MOUNT LINER ON INSIDE OF DOOR AND
- D. TAILPIECE PROJECTION OVER INSIDE OF DOOR IS SUGGESTED IN THE RANGE "5/8~7/8". IF NECESSARY, USE A PLIER TO BEND AND CUT TO DESIRED LENGTH.



3-1. APPLY TRIM + CHASSIS



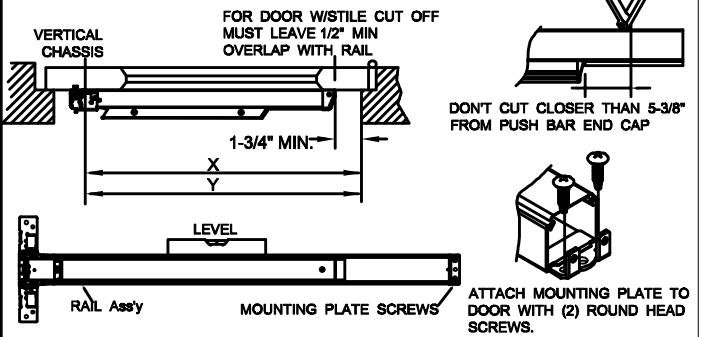
4. ATTACH TOP AND BOTTOM CHASSIS



- A. MOUNT TOP STRIKE PER LOCATION IN 2ND STEP.
- B. SCREW TOP ROD INTO MAIN SLIDE.
- C. SLIDE GUIDE AND COVER ON TO TOP ROD CHASSIS BY INSERTING ADJ PIN. THRU RETRACTOR AND MIDDLE HOLE IN ROD. (SEE FIG AT RIGHT) ADJ TOP CHASSIS MOUNTING HOLES LINE UP WITH LOCATION MARKED IN 2ND. STEP.
- D. MOUNT BOTTOM CHASSIS SAME WAY AS TOP CHASSIS (SEE FIG AT RIGHT)
- E. AS TO BOTTOM STRIKE APPLICATION VARIATIONS PLEASE REFER FIG BELOW FOR THE CORRECT MARRIAGE.
- F. FASTEN GUIDE. IF SHORTER ROD REQUIRED, CUT TO LENGTH AND DRILL Ø1/8" HOLE THRU.

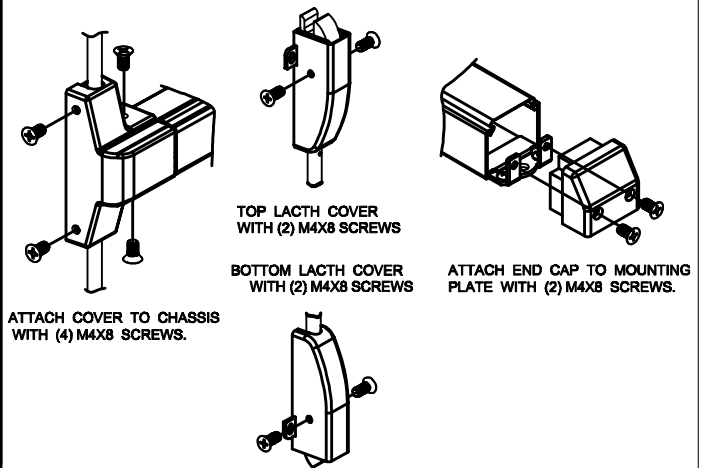
5. APPLY RAIL ASSEMBLY

- A. CHECK THE SIZE OF DEVICE, IF CUTTING TO LENGTH IS REQUIRED.
- B. DETERMINE CUT OFF LENGTH "X" BY SUBTRACTING 1-3/4" FROM "Y". MARK CUT OFF POINT ON MOUNTING RAIL.
- C. DREPRESS ARM INTO RAIL OPENING AND SLIDE RAIL ONTO CHASSIS. LEVEL RAIL AND FASTEN CHASSIS AND MOUNTING PLATE.



6. APPLY COVERS

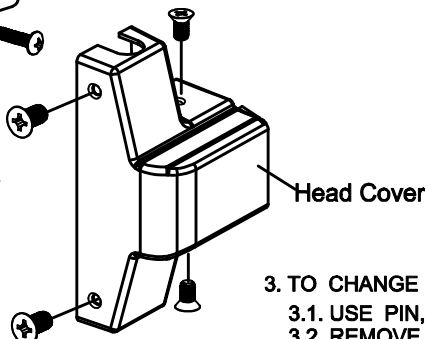
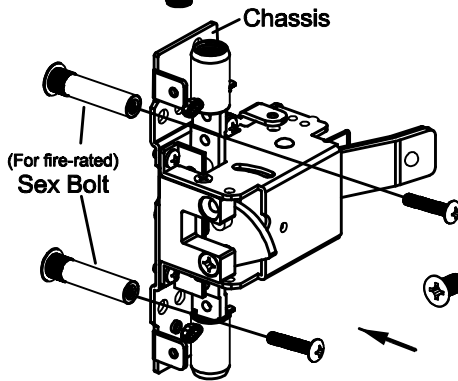
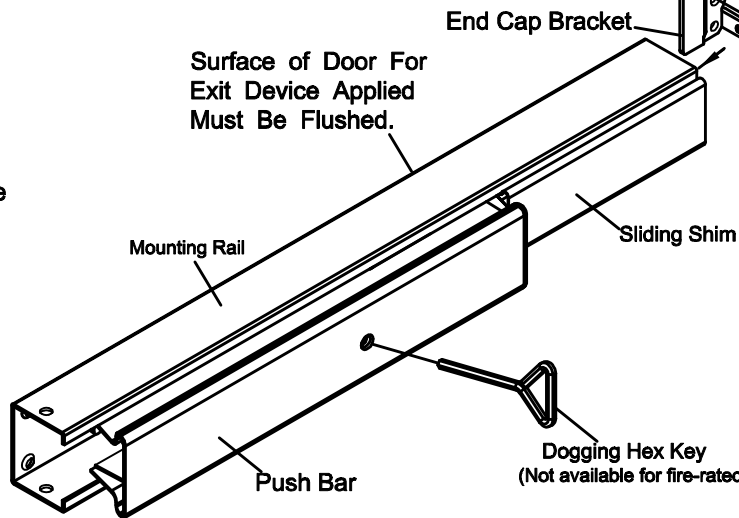
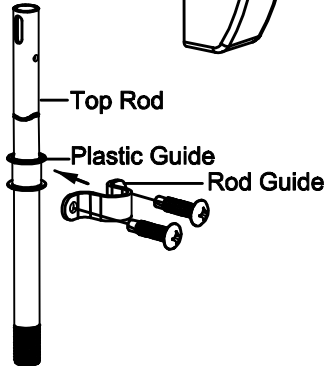
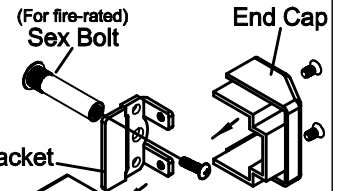
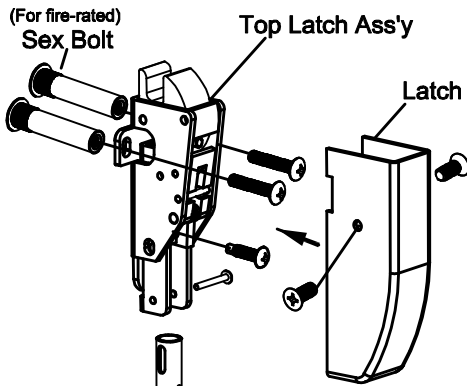
CHECK OPERATION OF DEVICE IS WELL PROCEEDED, AND FASTEN COVERS WITH SCREWS AS BELOW.



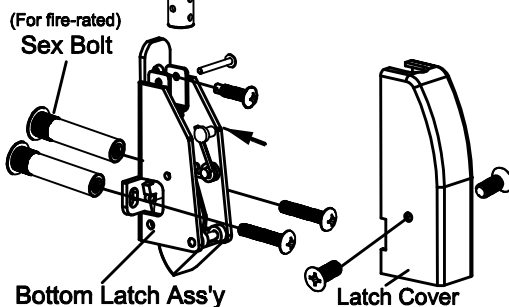
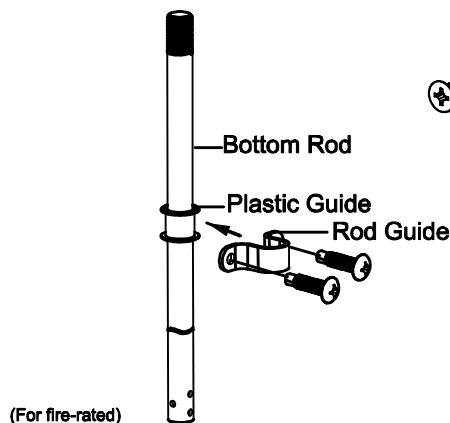
INSTALLATION INSTRUCTIONS SURFACE VERTICAL ROD EXIT DEVICE

**BEFORE INSTALLING DEVICE, PLEASE CHECK:

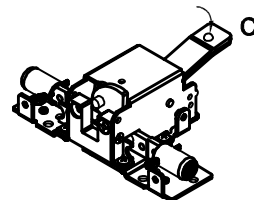
1. IF DOOR FITTED AND HUNG.
2. SIZE OF EXIT DEVICE, FUNCTION AND DESIGN....
 - 2.1. 36" DOORS, CAN BE CUT TO FIT DOORS DOWN TO 30" WIDE.
 - 2.2. 48" DOORS, CAN BE CUT TO FIT DOORS DOWN TO 36" WIDE.
 - 2.3. HAND OF DEVICE AGAINST APPLICATION.



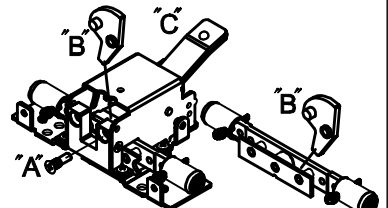
3. TO CHANGE HAND OF DEVICE. (SEE FIG AT BELOW)
- 3.1. USE PIN, 2-1/2" LONG, TO KNOCK OUT LIFT LEVER PIN.
- 3.2. REMOVE LIFT LEVER AND REASSEMBLE OTHER END.



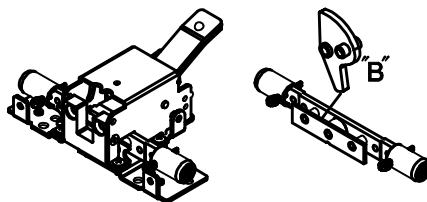
TO CHANGE HAND OF DEVICE (FOR EXAMPLE: FROM LHR to RHR)



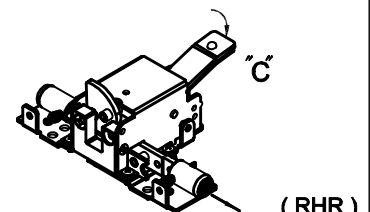
PRESS LIFT ARM "C" AND ENSURE THE DIRECTION.
The screw "A" is at the below hole position as figure shown



UNSCREW "A" AND TAKE OFF "B".



TURN "B" 180° AND PUT IT BACK AS FIGURE SHOWN
THEN, FASTEN "A" AT ABOVE SCREW HOLE.

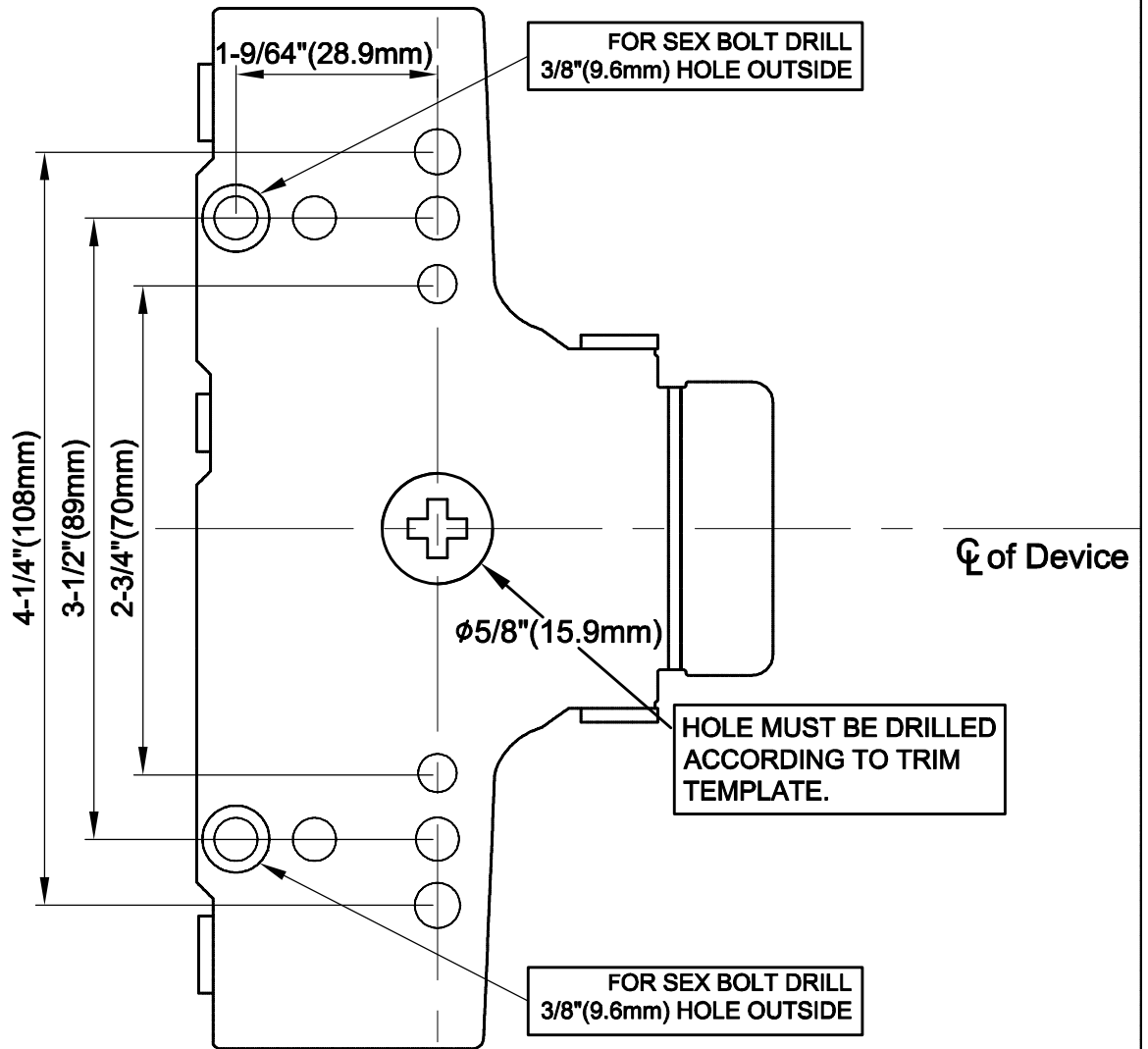


(RHR)

OPERATE LIFT ARM "C" TO ENSURE THE
PROCESSING DIRECTION IS REVERSED.

TEMPLATE FOR SURFACE VERTICAL ROD EXIT DEVICE (1:1)

FOR LHR DOOR

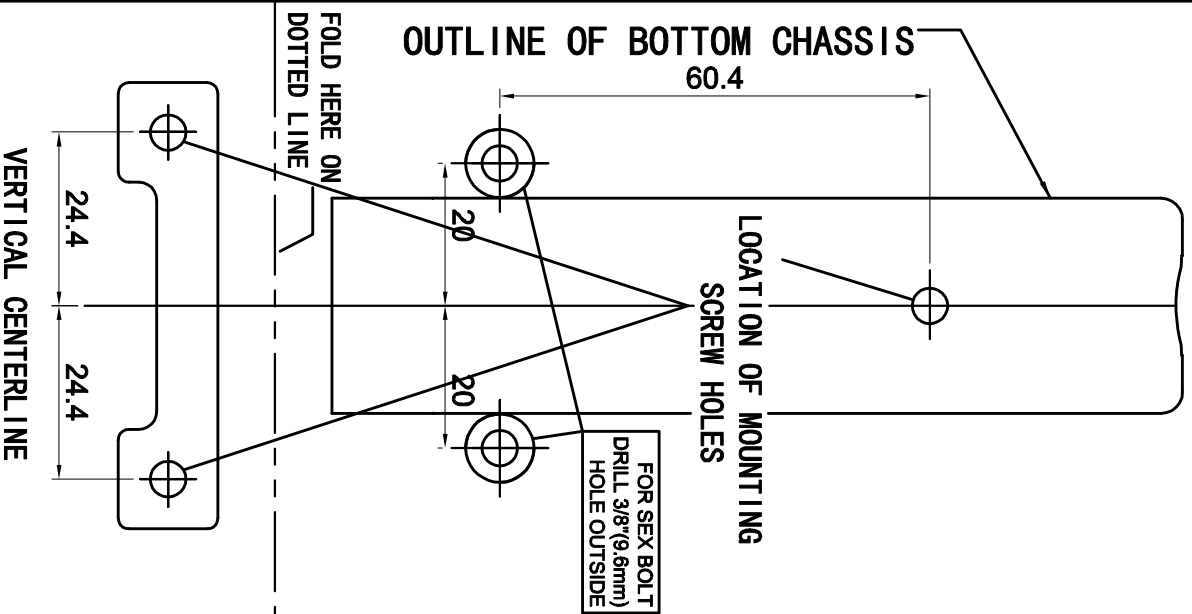


FOR RHR DOOR

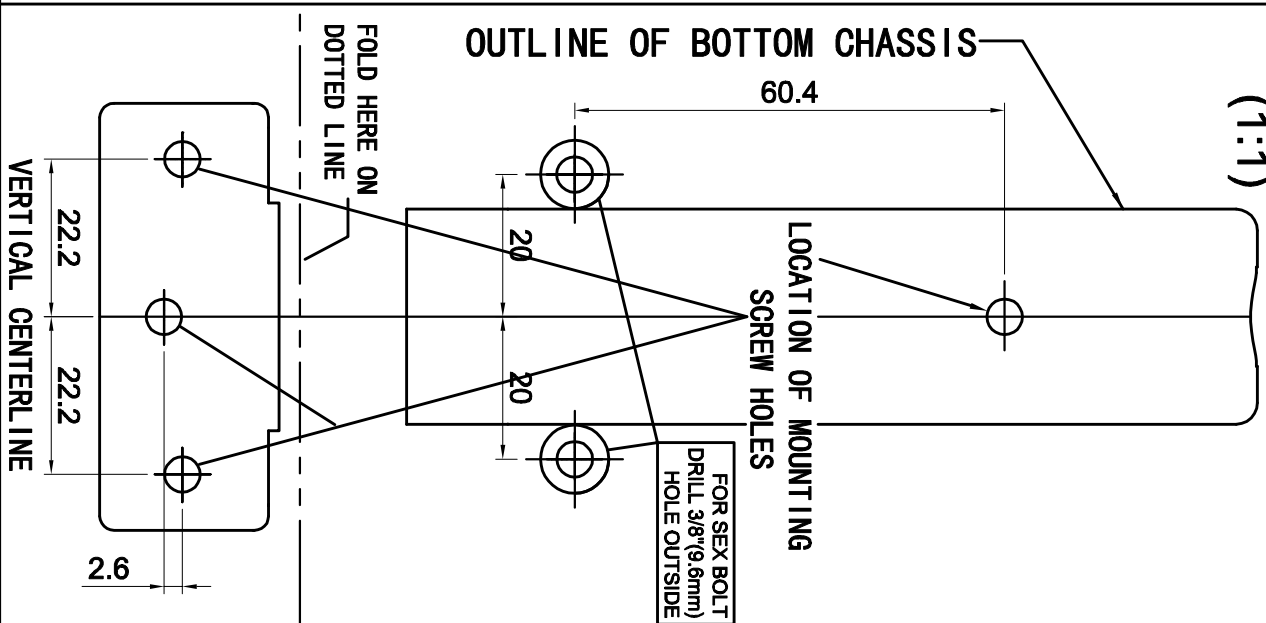
(1:1)

TEMPLATE FOR SURFACE VERTICAL ROD EXIT DEVICE

TEMPLATE of Bottom LATCH
FOR SURFACE VERTICAL ROD EXIT DEVICE
[Strike 731 (handicap use)]
(1:1)



TEMPLATE of Bottom LATCH
FOR SURFACE VERTICAL ROD EXIT DEVICE
[Strike 730 (regular use)]
(1:1)



TEMPLATE of Top LATCH
FOR SURFACE VERTICAL ROD EXIT DEVICE
(1:1)

