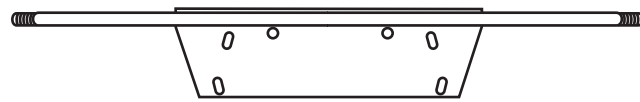
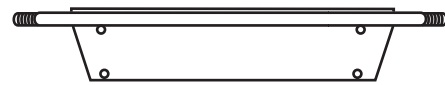


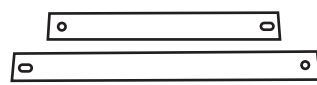
# LITTLE-4 Wheeler COMPONENTS



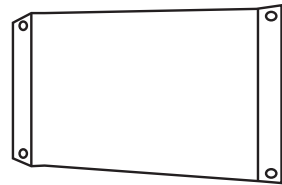
Part A: Front Wheel Bracket



Part B: Back Wheel Bracket



Part C: Support Straps



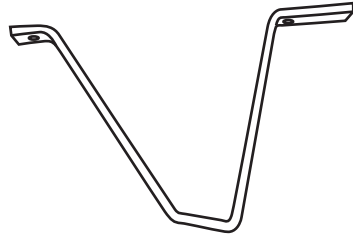
Part D: Front Support Plate



Part E: Back Support Plate



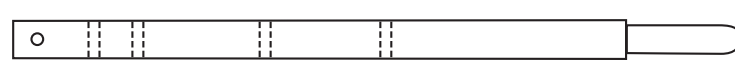
Part F: Front Bump Bracket



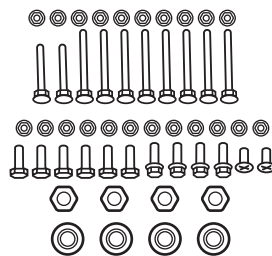
Part G: Leg Supports (x2)



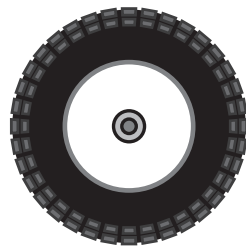
Part H: Shims (x2)



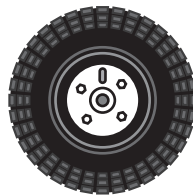
Part I: Handles (x2)



Part J: Hardware



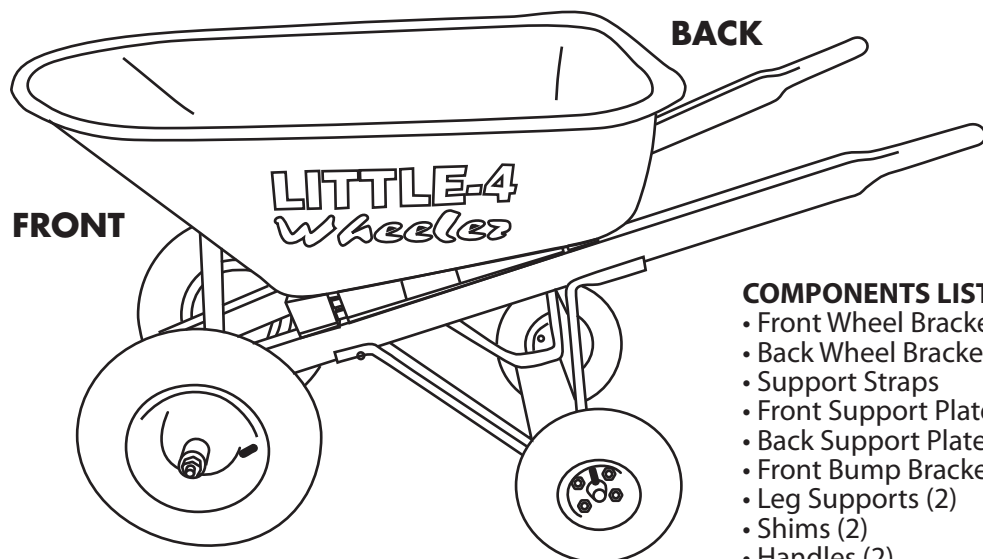
Part K: Front Wheels (x2)



Part L: Back Wheels (x2)



Part M: 6 cubic ft Tray

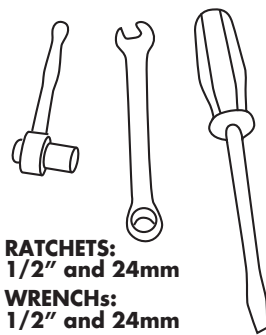


ASSEMBLED LITTLE-4 WHEELER

## COMPONENTS LIST

- Front Wheel Bracket
- Back Wheel Bracket
- Support Straps
- Front Support Plate
- Back Support Plate
- Front Bump Bracket
- Leg Supports (2)
- Shims (2)
- Handles (2)
- Front Wheels (2)
- Back Wheels (2)

## TOOLS NEEDED

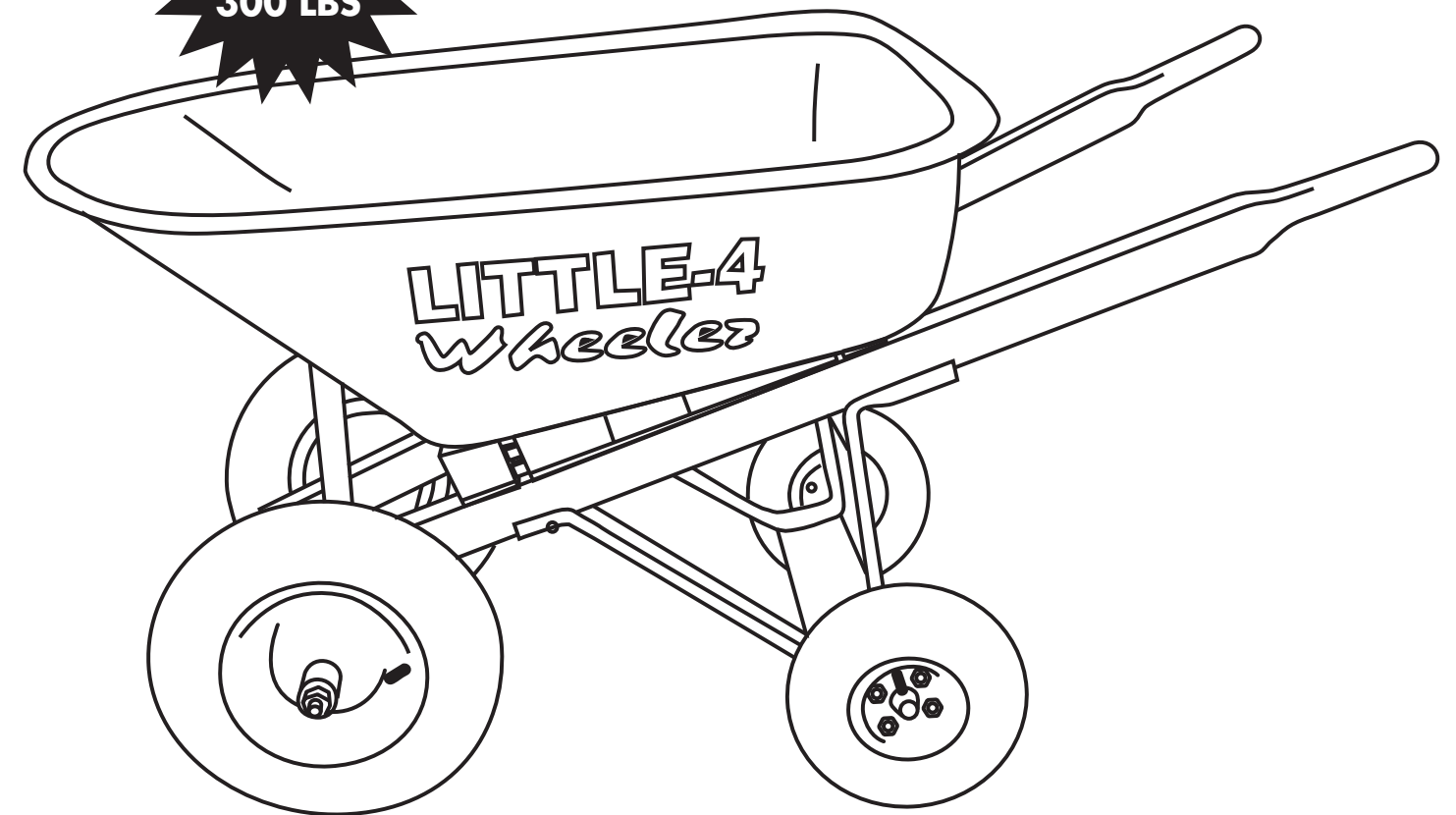


- RATCHETS: 1/2" and 24mm
- WRENCHES: 1/2" and 24mm
- SCREWDRIVER
- 6 cubic ft Tray
- Hardware:
  - 6" bolts (8) and nuts
  - 4" bolts (2) and nuts
  - 1" screws (2) and nuts
  - 2" bolts with washers and nuts (4)
  - 2" bolts and nuts
  - 1" nuts and washers (4)

# LITTLE-4 Wheeler

6 Cubic Foot Wheelbarrow

## ASSEMBLY INSTRUCTIONS and component list

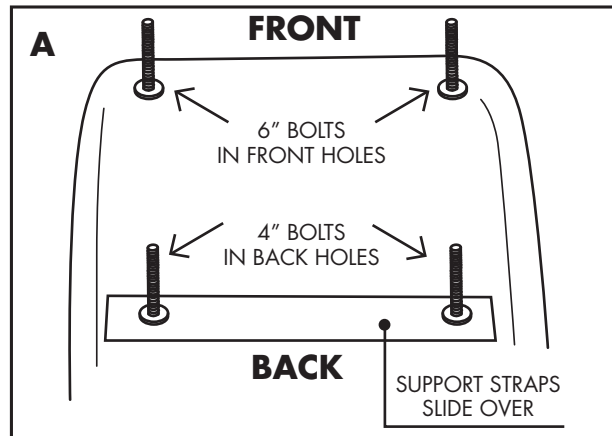


WARNING: Not a toy

LITTLE-4 Wheeler

Distributed by:  
 Custom Quest  
[www.custom-quest.com](http://www.custom-quest.com)  
 800.000.0000  
 © 2012 Made in China

# LITTLE-4 Wheeler ASSEMBLY INSTRUCTIONS

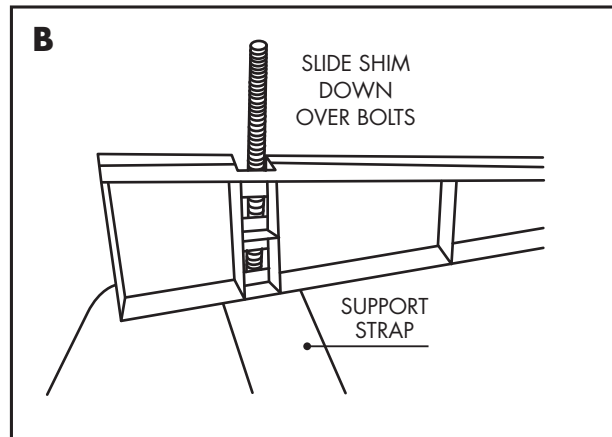


## STEP 1

Insert two 6-inch flat head bolts to the holes at front of tray from the inside going out. Attach rubber washer to the bolts on the bottom side of tray to keep bolts in place while assembling. Then attach two 4-inch bolts to the back two holes inside the barrow with the rubber washers on the outside as to hold those in place while assembling. (Fig. A)

## STEP 2

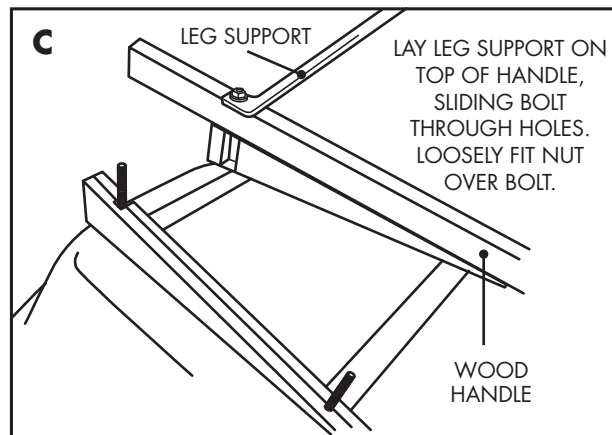
Turn barrow upside down and lay support straps across bottom of tray, lining up holes so bolts slide through.



Turn shim over in right position as needed to line up bolts and slide through holes in shim.

Line up holes in handle with bolts and slide down into place so it rests on the shim. (Fig. B)

Lay leg support on top of handle, sliding bolts through holes in leg supports. Loosely fit nut over bolt. Repeat other handle side. (Fig. C) Do not use ratchet to tighten.



## STEP 3

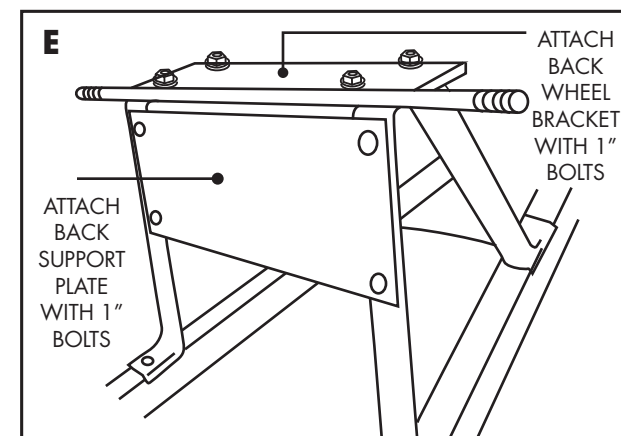
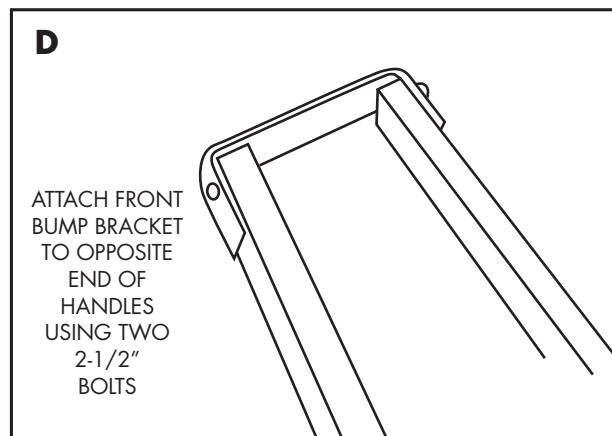
Attach front bump bracket with the only two 2-1/2" bolts as seen in illustration. Tighten. (Fig. D)

## STEP 4

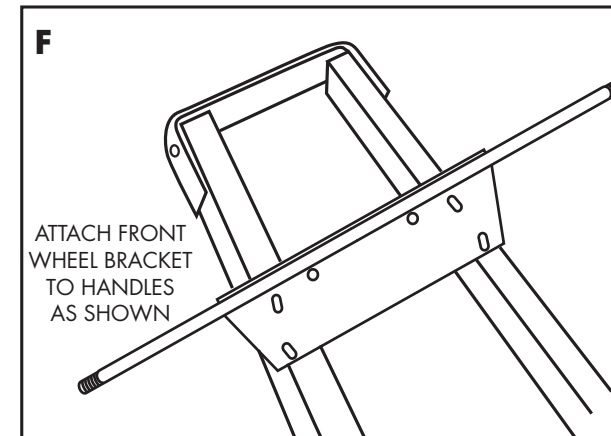
Attach back wheel bracket to leg supports with 1" bolts as seen in illustration. **Do not tighten.** (Fig E)

## STEP 5

Attach back support plate with 1" bolts as seen in illustration. **Now hand tighten steps 2, 4, 5.** (Fig E)



# LITTLE-4 Wheeler ASSEMBLY INSTRUCTIONS

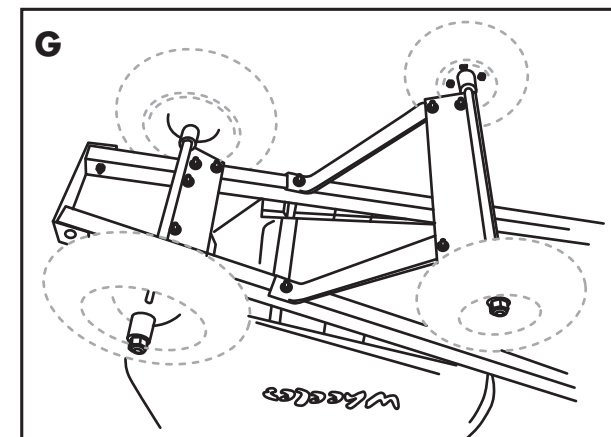


## STEP 6

Attach front wheel bracket with four 3" bolts (align slotted bolt holes with holes in handle). (Fig F) Slots are there for adjustments to the front wheels to make sure barrow rolls straight. If barrow tends to roll right or left, loosen bolts slightly and bump front wheel bump to the right or left and tighten. Roll and test to assure that barrow rolls straight.

## STEP 7

Attach front support plate with two 1" bolts (with barrow upright) connecting to the extra holes on the front wheel bracket (as seen in illustration). Then at the top attach the only two flat 1" bolts from the inside of barrow through to bracket. Tighten. (Fig G)

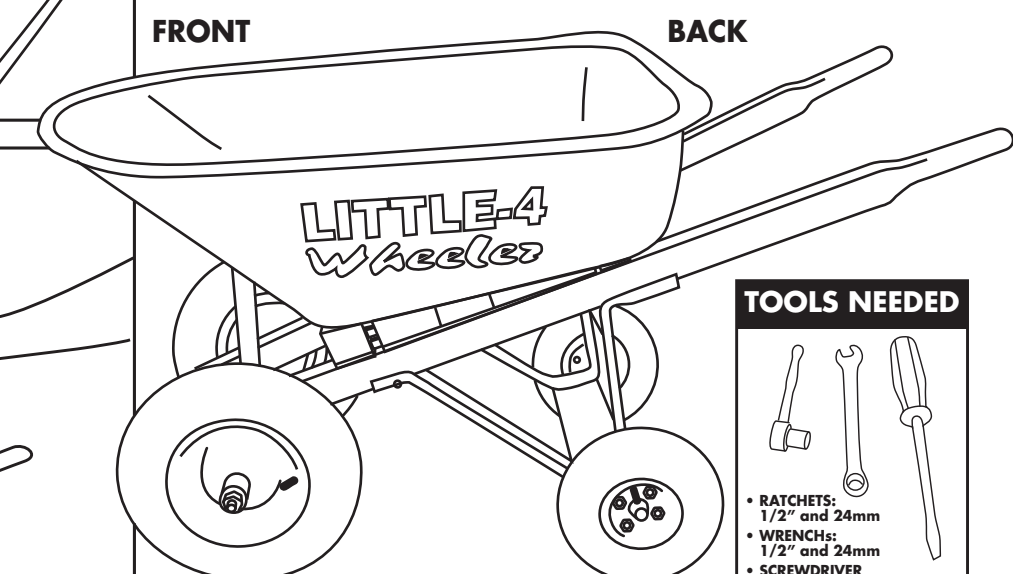
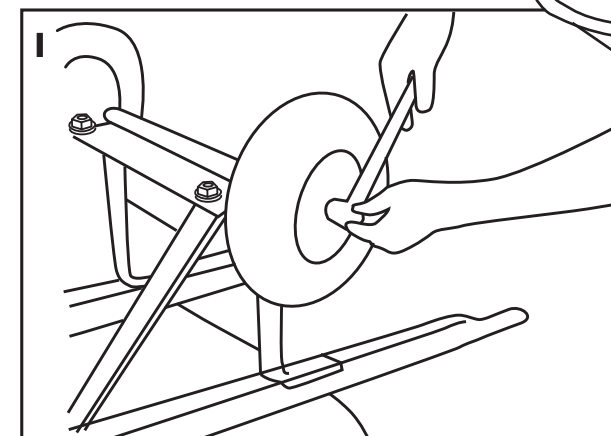
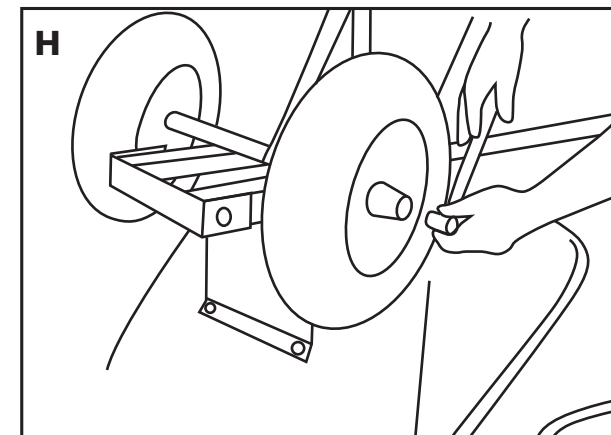


## STEP 8

Attach the two front wheels using no washers, just the nut. Tighten until wheel stops turning, then back up nut slightly until wheel rolls freely. (Fig H)

## STEP 9

Attach the two rear wheels using a washer on the inside and the outside of wheel for extra stability. Tighten until wheel stops turning, then back up nut slightly until wheel rolls freely. (Fig I) Inflate wheels til firm. Do not over inflate.



### TOOLS NEEDED

