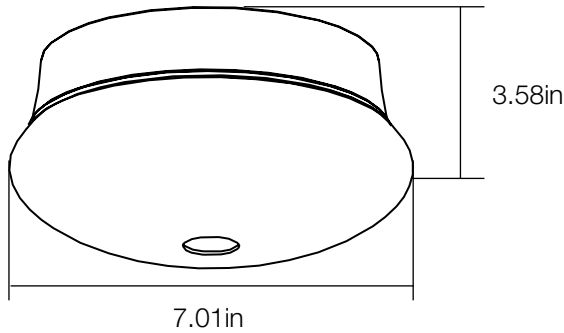


# 7in LED Spin Light<sup>®</sup> with PIR Sensor

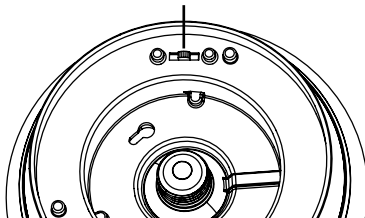
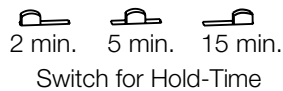


54606341  
SKU# 1002774134



## ADVANTAGES

- 64 Watt Equivalent
- 50,000 Hours of Rated Life
- 5 Year Warranty
- Detects Motion up to 8.5 ft. at Mounting Height of 8 -10ft.
- Choose Light On Time (2, 5, or 15 min) After Last ft.
- Detected Motion
- Default Setting is 5 min
- US Patents – 9,541,270, 9,5000,352



## APPLICATIONS

Suitable for Damp Locations

### LAMP HOLDER MOUNT



### SURFACE MOUNT



## SPECIFICATIONS

Model Number	54606341
SKU	1002774134
OSMID	302909226
Power	11.5 W
AC Voltage, Frequency	120V, 60 Hz
Color Temp (nom.)	4000K
Operation Temp	-4°F ~ 113°F
CRI	80
Lumen Output (min.)	830 lm
Dimming	NO
Lifetime Rating	L70/50000Hrs
Efficacy	72.17 lm/watt

## PACKAGING

Weight (±0.5 lb)	0.82 lbs
Size (L x W x H) (±0.1 in)	7.01in x 7.01in x 3.58in
Box Dimensions	7.56in x 7.44in x 3.94in
Gross Weight	1.21 lbs
UPC	849489006345



## INCLUDED IN BOX

- Wire Connector (3)
- Electrical Box Screw (5/8 in.) (2)
- Mounting Screw (2 in.) (2)
- Mounting Bracket (1)
- Socket (1)
- Ground Screw (1)