



# SERVICE PARTS LIST

**BULLETIN NO.**  
**54-40-2580**

SPECIFY CATALOG NO. AND SERIAL NO. WHEN ORDERING PARTS		REVISED BULLETIN	DATE
<b>M18™ FUEL™ Hatchet™ Pruning Saw</b>			June 2022
<b>CATALOG NO.</b>	<b>3004-20</b>	<b>STARTING SERIAL</b>	<b>N10A</b>
			<b>WIRING INSTRUCTION</b> <b>SEE PAGE 2</b>

FIG.	PART NO.	DESCRIPTION OF PART	NO. REQ.
1	49-62-0017	Scabbard	(1)
2	49-16-2750	8" Chain (Accessory)	(1)
3	43-54-0023	Knuckle Guard	(1)
4	49-16-2751	8" Guide Bar (Accessory)	(1)
6	44-52-0018	Sealing Pad	(1)
7	05-55-5001	M8 Flange Nut	(1)
9	-----	-----	-----
10	42-70-5268	E-Ring	(1)
11	45-88-7001	Chain Washer	(1)
12	45-44-0212	Sprocket	(1)
13	-----	-----	-----
14	-----	-----	-----

FIG.	PART NO.	DESCRIPTION OF PART	NO. REQ.
15	22-56-0058	Connector	(1)
16	44-90-0087	C-Ring	(1)
17	05-85-0012	M8 x 28mm Hex Hd. Machine Screw	(1)
23	05-81-9001	Chain Tensioner Adjustment Screw	(1)
24	05-89-0023	Chain Tensioning Post	(1)
25	05-81-0127	Chain Tensioner Main Screw	(1)
26	42-38-0056	Bucking Spikes	(1)
27	45-88-2060	Washer 12mmx 2mm	(2)

FIG.	PART NO.	DESCRIPTION OF PART	NO. REQ.
28	05-78-0105	M4 x 10mm Pan Hd. Taptite T-20 Scr.	(2)
30	-----	-----	-----
31	45-76-2005	Cone Spring	(1)
32	-----	-----	-----
33	-----	-----	-----
36	34-40-0228	O-Ring	(1)
40	45-96-1001	Wrench	(1)
47	05-81-0015	M3 x 8.5mm Pan Hd. T-10 Mach. Scr.	(2)
48	06-82-6351	M3 x 16mm Pan Hd. ST T-10 Screw	(16)
49	-----	-----	-----
54	-----	-----	-----
55	45-56-0077	Bracket	(1)
56	45-56-0079	Loop	(1)
59	05-78-5316	M4 x14mm Pan Hd. Taptite T-20 Scr.	(12)

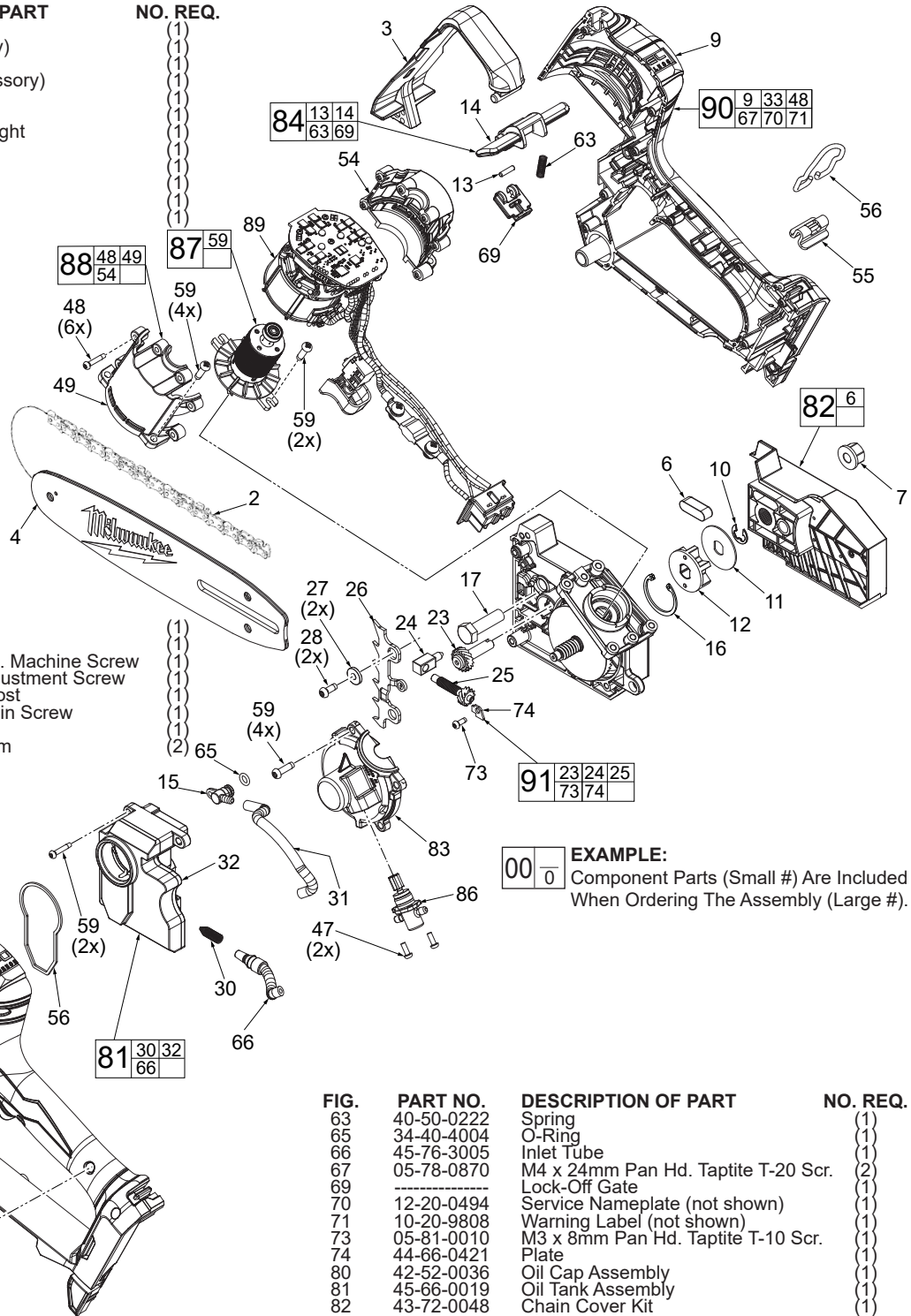
FIG.	PART NO.	DESCRIPTION OF PART	NO. REQ.
63	40-50-0222	Spring	(1)
65	34-40-4004	O-Ring	(1)
66	45-76-3005	Inlet Tube	(1)
67	05-78-0870	M4 x 24mm Pan Hd. Taptite T-20 Scr.	(2)
69	-----	-----	-----
70	12-20-0494	Service Nameplate (not shown)	(1)
71	10-20-9808	Warning Label (not shown)	(1)
73	05-81-0010	M3 x 8mm Pan Hd. Taptite T-10 Scr.	(1)
74	44-66-0421	Plate	(1)
80	42-52-0036	Oil Cap Assembly	(1)
81	45-66-0019	Oil Tank Assembly	(1)
82	43-72-0048	Chain Cover Kit	(1)
83	28-20-0026	Gearcase Cover Assembly	(1)
84	42-42-0157	Lock-Off Button kit	(1)
85	28-14-0027	Gearcase Assembly	(1)
86	42-54-0210	Oil Pump Assembly	(1)
87	16-01-0041	Rotor Assembly	(1)
88	31-50-0077	Motor Insulator Kit	(1)
89	14-30-0436	Electronics Assembly	(1)
90	31-44-0261	Handle Kit	(1)
91	45-60-0025	Chain Tensioner Kit	(1)

FIG.	PART NO.	DESCRIPTION OF PART	NO. REQ.
88	48 49 54	-----	-----
87	59	-----	-----
89	-----	-----	-----
90	9 33 48 67 70 71	-----	-----
91	23 24 25 73 74	-----	-----
00	0	EXAMPLE: Component Parts (Small #) Are Included When Ordering The Assembly (Large #).	-----

FIG.	PART NO.	DESCRIPTION OF PART	NO. REQ.
80	36	-----	-----
81	30 32 66	-----	-----
82	6	-----	-----
83	-----	-----	-----
86	-----	-----	-----
88	48 49 54	-----	-----
89	59 (4x)	-----	-----
90	59 (2x)	-----	-----
91	23 24 25 73 74	-----	-----

FIG.	PART NO.	DESCRIPTION OF PART	NO. REQ.
63	40-50-0222	Spring	(1)
65	34-40-4004	O-Ring	(1)
66	45-76-3005	Inlet Tube	(1)
67	05-78-0870	M4 x 24mm Pan Hd. Taptite T-20 Scr.	(2)
69	-----	-----	-----
70	12-20-0494	Service Nameplate (not shown)	(1)
71	10-20-9808	Warning Label (not shown)	(1)
73	05-81-0010	M3 x 8mm Pan Hd. Taptite T-10 Scr.	(1)
74	44-66-0421	Plate	(1)
80	42-52-0036	Oil Cap Assembly	(1)
81	45-66-0019	Oil Tank Assembly	(1)
82	43-72-0048	Chain Cover Kit	(1)
83	28-20-0026	Gearcase Cover Assembly	(1)
84	42-42-0157	Lock-Off Button kit	(1)
85	28-14-0027	Gearcase Assembly	(1)
86	42-54-0210	Oil Pump Assembly	(1)
87	16-01-0041	Rotor Assembly	(1)
88	31-50-0077	Motor Insulator Kit	(1)
89	14-30-0436	Electronics Assembly	(1)
90	31-44-0261	Handle Kit	(1)
91	45-60-0025	Chain Tensioner Kit	(1)

FIG.	PART NO.	DESCRIPTION OF PART	NO. REQ.
88	48 49 54	-----	-----
87	59	-----	-----
89	-----	-----	-----
90	9 33 48 67 70 71	-----	-----
91	23 24 25 73 74	-----	-----
00	0	EXAMPLE: Component Parts (Small #) Are Included When Ordering The Assembly (Large #).	-----



As an aid to reassembly, take notice of wire routings and position in wire guides and traps while dismantling tool.

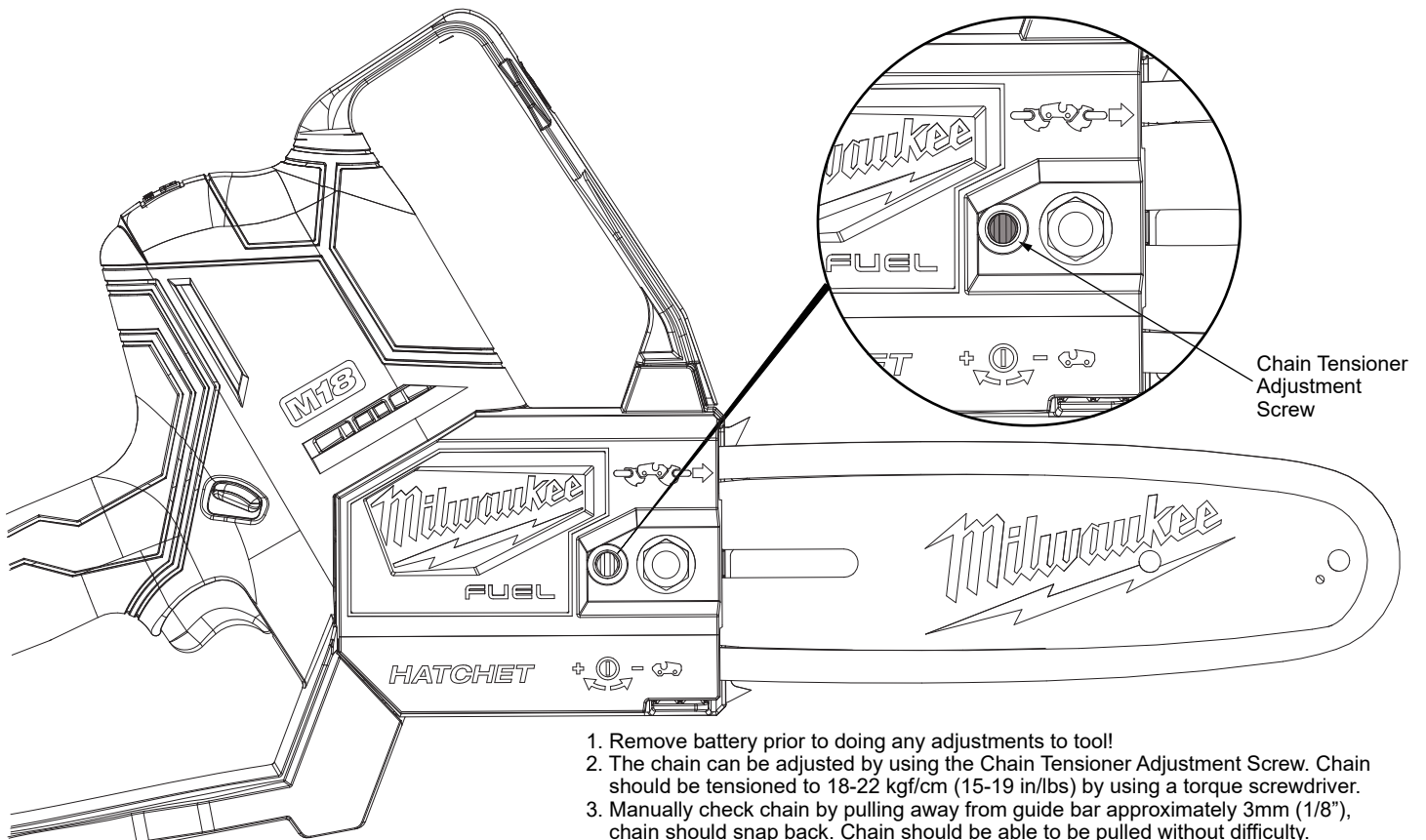
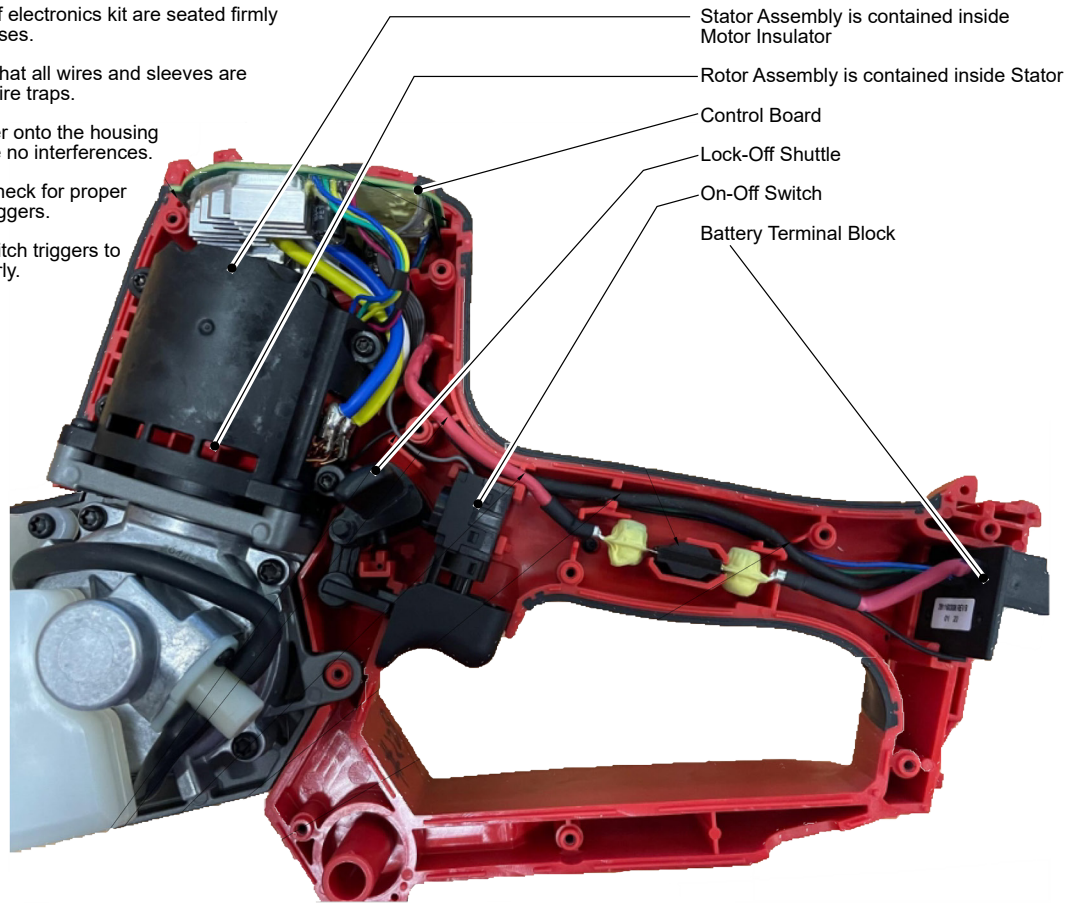
Be sure that all components of electronics kit are seated firmly and squarely in housing recesses.

Avoid pinched wires, be sure that all wires and sleeves are pressed completely down in wire traps.

Prior to securing housing cover onto the housing support, be sure that there are no interferences.

Before installing the battery, check for proper functionality of shuttles and triggers.

Install battery and depress switch triggers to assure tool is operating properly.



1. Remove battery prior to doing any adjustments to tool!
2. The chain can be adjusted by using the Chain Tensioner Adjustment Screw. Chain should be tensioned to 18-22 kgf/cm (15-19 in/lbs) by using a torque screwdriver.
3. Manually check chain by pulling away from guide bar approximately 3mm (1/8"), chain should snap back. Chain should be able to be pulled without difficulty.

SCREW TORQUE SPECIFICATIONS				
FIG.	PART NO.	WHERE USED	SEAT TORQUE	
			(KG/CM)	(IN/LBS)
7	05-55-5001	Chain Cover	50±5	43±4
28	05-78-0076	Bucking Spike	25±3	22±3
47	05-81-0015	Oil Pump	6±1	5±1
48	06-82-6351	Handle Cover & Insulator	10±2	9±2
59	05-78-5316	Gearcase Cover & Rotor	25±3	22±3
59	05-78-5316	Insulator Cover	19±2	16±2
59	05-78-5316	Oil Tank	15±2	13±2
67	05-78-0078	Handle Cover	25±3	22±3
73	05-74-0331	Chain Tensioner	11±2	10±3

## Lubrication

