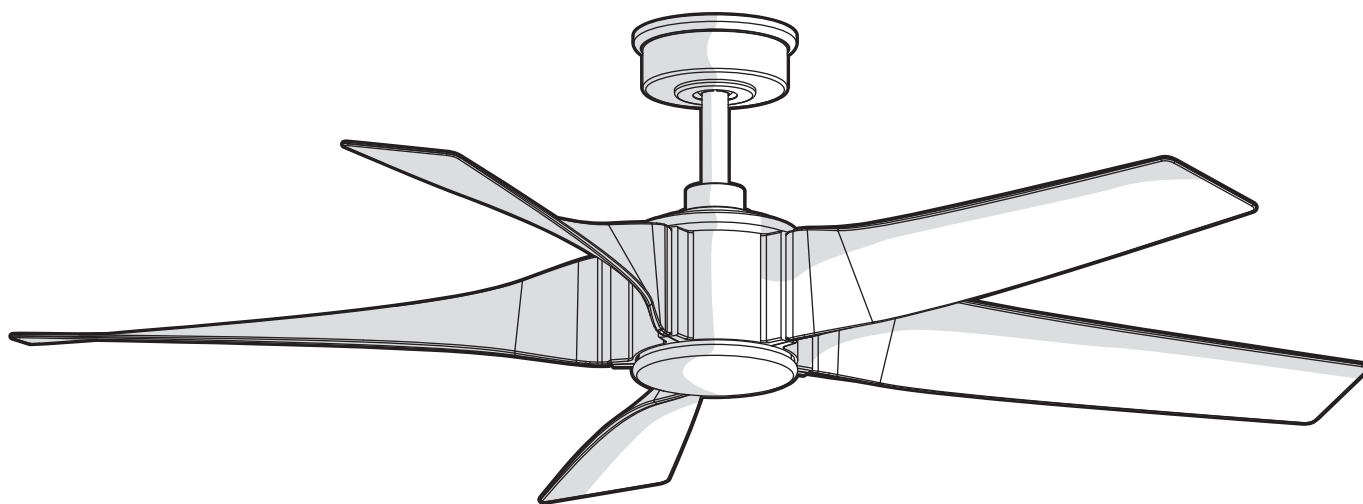


USE AND CARE GUIDE

SKY PARLOR 56 IN. CEILING FAN



Questions, problems, missing parts? Before returning to the store,
call Home Decorators Collection Customer Service
8 a.m. - 7 p.m., EST, Monday - Friday, 9 a.m. - 6 p.m., EST, Saturday

1-800-986-3460

HOMEDEPOT.COM/HOMEDECORATORS

THANK YOU

We appreciate the trust and confidence you have placed in Home Decorators Collection through the purchase of this ceiling fan. We strive to continually create quality products designed to enhance your home. Visit us online to see our full line of products available for your home improvement needs. Thank you for choosing Home Decorators Collection!

Table of Contents

Table of Contents	2
Safety Information	3
Warranty	4
Pre-Installation	4
Specifications	4
Tools Required	4
Hardware Included	5
Package Contents	6
Installation	7
Assembly	8
Hanging the Fan	9
Preparing the Remote Control	10
Attaching the Fan Blades	13
Installing the Light Kit	14
Operation	16
Remote Control Operating Instructions	16
Reverse Switch Operating Instructions	17
Care and Cleaning	18
Troubleshooting	18
Service Parts	20

READ AND SAVE THESE INSTRUCTIONS

Safety Information

1. To reduce the risk of electric shock, ensure electricity has been turned off at the circuit breaker or fuse box before beginning.
2. All wiring must be in accordance with the National Electrical Code "ANSI/NFPA 70-1999" and local electrical codes. Electrical installation should be performed by a qualified licensed electrician.
3. The outlet box and support structure must be securely mounted and capable of reliably supporting a minimum of 35 lbs (15.9 kg) or less. Use only UL-listed outlet boxes marked "FOR FAN SUPPORT."
4. The fan must be mounted with a minimum of 7 ft. (2.1m) clearance from the trailing edge of the blades to the floor.
5. Avoid placing objects in the path of the blades.
6. To avoid personal injury or damage to the fan and other items, be cautious when working around or cleaning the fan.
7. Do not use water or detergents when cleaning the fan or fan blades. A dry dust cloth or lightly dampened cloth will be suitable for most cleaning.
8. After making electrical connections, spliced conductors should be turned upward and pushed carefully up into the outlet box. The wires should be spread apart with the grounded conductor and the equipment-grounding conductor on one side of the outlet box and ungrounded conductor on the other side of the outlet box.
9. All setscrews must be checked and retightened where necessary before installation.
10. This device complies with part 15 of the FCC Rules. Operation is subject to the following two conditions: (1) This device may not cause harmful interference, and (2) this device must accept any interference received, including interference that may cause undesired operation.

WARNING: Changes or modifications to this unit not expressly approved by the party responsible for compliance could void the user's authority to operate the equipment.

NOTE: This equipment has been tested and found to comply with the limits for a Class B digital device, pursuant to Part 15 of the FCC Rules. These limits are designed to provide reasonable protection against harmful interference in a residential installation. This equipment generates, uses and can radiate radio frequency energy and, if not installed and

used in accordance with the instructions, may cause harmful interference to radio communications.

However, there is no guarantee that interference will not occur in a particular installation. If this equipment does cause harmful interference to radio or television reception, which can be determined by turning the equipment off and on, the user is encouraged to try to correct the interference by one or more of the following measures:

- Reorient or relocate the receiving antenna.
- Increase the separation between the equipment and receiver.
- Connect the equipment into an outlet on a circuit different from that to which the receiver is connected.
- Consult the dealer or an experienced radio/TV technician for help.

The following responsible party designated in FCC §2.909 is responsible for this declaration:

Model Number: 34611, 34612
Company Name: Minka Group
Company Address: 1151 W. Bradford Circle, Corona CA 9882, U.S.A
Full Name: Christian Gonzalez Title: Product Manager
Telephone Number: 1-951-735-9220 Fax: 1-951-935-9802



WARNING: To reduce the risk of fire or electric shock, this fan should only be used with fan speed control part No. AL-172.



WARNING: To reduce the risk of personal injury, do not bend the blade arms (also referred to as flanges), when installing the brackets, balancing the blades or cleaning the fan.



WARNING: Do not insert foreign objects between rotating fan blades.



WARNING: To reduce the risk of fire, electric shock or personal injury, mount the fan to the outlet box marked acceptable for fan support with the screws provided with the outlet box.



CAUTION: To reduce the risk of personal injury, use only the screws provided with the outlet box.

Warranty

The manufacturer warrants the fan motor to be free from defects in workmanship and material present at time of shipment from the factory for a period of lifetime after the date of purchase by the original purchaser. The manufacturer warrants the light kit (excluding any glass), to be free from defects in workmanship and material present at time of shipment from the factory for a period of five years after the date of purchase by the original purchaser. The manufacturer also warrants that all other fan parts, excluding any glass or acrylic blades, to be free from defects in workmanship and material at the time of shipment from the factory for a period of two years after the date of purchase by the original purchaser. We agree to correct such defects without charge or at our option replace with a comparable or superior model if the product is returned. To obtain warranty service, you must present a copy of the receipt as proof of purchase. All costs of removing and reinstalling the product are your responsibility. Damage to any part such as by accident, misuse, improper installation or by affixing any accessories, is not covered by this warranty. Because of varying climatic conditions this warranty does not cover any changes in brass finish, including rusting, pitting, corroding, tarnishing or peeling. Brass finishes of this type give the longest useful life when protected from varying weather conditions. A certain amount of "wobble" is normal and should not be considered a defect. Servicing performed by unauthorized persons shall render the warranty invalid. There is no other express warranty. We hereby disclaim any and all warranties, including but not limited to those of merchantability and fitness for a particular purpose to the extent permitted by law. The duration of any implied warranty which cannot be disclaimed is limited to the time period as specified in the express warranty. Some states do not allow limitation on how long an implied warranty lasts, so the above limitation may not apply to you. The retailer shall not be liable for incidental, consequential, or special damages arising out of or in connection with product use or performance except as may otherwise be accorded by law. Some states do not allow the exclusion of incidental or consequential damages, so the above exclusion or limitation may not apply to you. This warranty gives specific legal rights, and you may also have other rights which vary from state to state. This warranty supersedes all prior warranties. Shipping costs for any return of product as part of a claim on the warranty must be paid by the customer.

Contact the Customer Service Team at 1-800-986-3460 or visit www.HOMEDEPOT.COM/HOMEDECORATORS

Pre-Installation

SPECIFICATIONS

Fan size	Speed	Volts	Amps	Watts	RPM	CFM	N.W.	G.W.	C.F.
56 in.	Low (Speed 1)	120	0.101	4.09	49	2287	7.96 kg (17.51 lbs.)	10.68 kg (23.5 lbs.)	2.16 cu. ft.
	Medium (Speed 4)		0.325	20.89	98	4929			
	High (Speed 6)		0.62	48.22	135	6115			



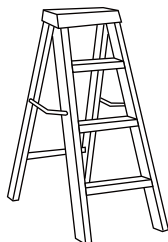
NOTE: These are approximate measures. They do not include amps and wattage used by the light kit.



TOOLS REQUIRED



Phillips
screwdriver



Ladder



Wire
stripper



Electrical
Tape

Pre-Installation (continued)

HARDWARE INCLUDED



NOTE: Hardware not shown to actual size.



AA



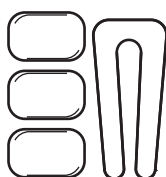
BB



CC



DD

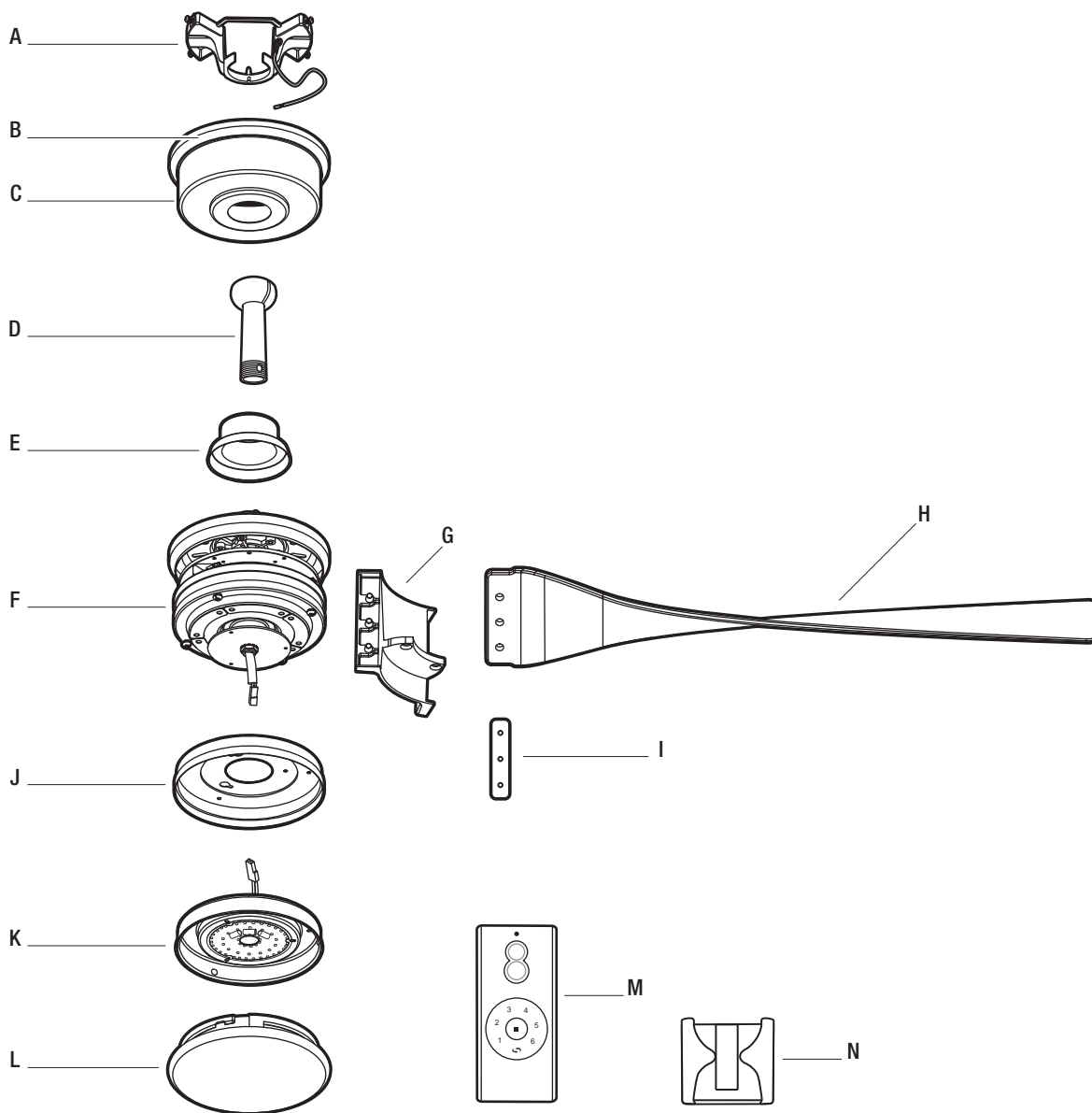


EE

Part	Description	Quantity
AA	Plastic wire nut	3
BB	Blade attachment screw with lock washer	15+1 (spare)
CC	Blade arm screw and lock washer	10+1 (spare)
DD	23A 12V battery	1
EE	Balancing kit	1

Pre-Installation (continued)

PACKAGE CONTENTS



Part	Description	Quantity
A	Mounting bracket (preassembled)	1
B	Canopy ring (preassembled)	1
C	Canopy	1
D	Hanger ball/downrod assembly	1
E	Coupling cover	1
F	Fan motor assembly	1
G	Blade arm	5

Part	Description	Quantity
H	Blade	5
I	Blade support plate	5
J	Light kit mounting plate	1
K	20 watt LED Light kit	1
L	Glass shade	1
M	Remote control	1
N	Remote holder	1

Installation

MOUNTING OPTIONS



WARNING: To reduce the risk of fire, electric shock, or personal injury, mount the fan to an outlet box marked acceptable for fan support using the screws provided with the outlet box. An outlet box commonly used for the support of lighting fixtures may not be acceptable for fan support and may need to be replaced. If in doubt, consult a qualified electrician.

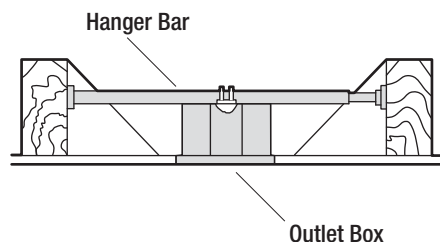
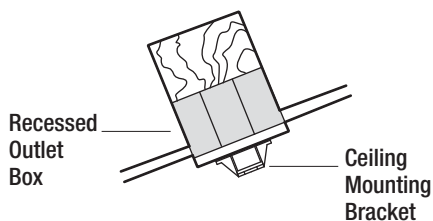
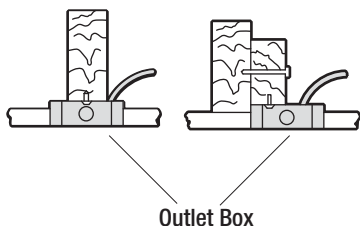
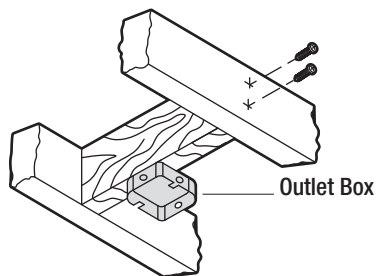


NOTE: You may need a longer downrod to maintain proper blade clearance when installing on a steep, sloped ceiling. The maximum angle allowable is 18° away from horizontal. If the canopy (C) touches the hanger ball/downrod assembly (E), turn the canopy (C) 180° before attaching the canopy (C) to the mounting bracket (A).

If your ceiling fan does not have an existing UL-listed mounting box, then install one using the following instructions:

- Disconnect the power by removing the fuses or turning off the circuit breakers.
- Secure the outlet box (not included) directly to the building structure. Use appropriate fasteners and materials (not included). The outlet box and its bracing must be able to fully support the weight of the moving fan (at least 35 lbs.). Do not use a plastic outlet box.

The illustrations below show three different ways to mount the outlet box (not included).

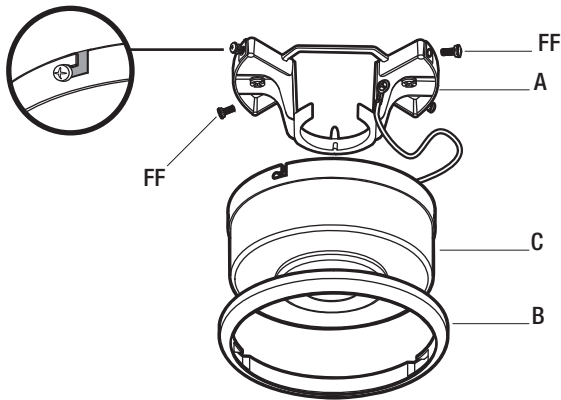


To hang your fan where there is an existing fixture but no ceiling joist, you may need an installation hanger bar (not included) as shown above.

Assembly

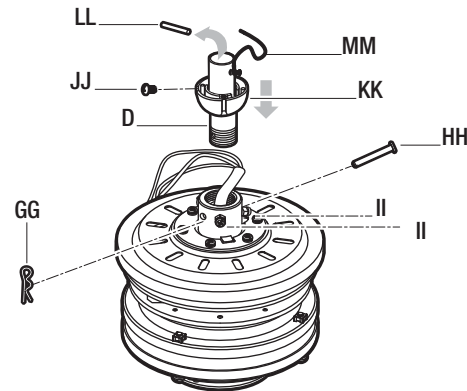
1 Preparing the canopy

- Remove the canopy ring (B) from the canopy (C).
- Remove the two non-slotted canopy mounting screws (FF) from the canopy (C), and loosen the slotted canopy mounting screws (FF) on the canopy (C).
- Remove the canopy (C) from the mounting bracket (A) by turning the canopy (C) counterclockwise.



2 Preparing the motor

- Remove the cotter pin (GG) and clevis pin (HH), and loosen the two collar setscrews (II) from the motor collar.
- Take out the setscrew (JJ) located in the hanger ball (KK), lower the hanger ball (KK) and remove the cross pin (LL). Remove the hanger ball (KK) from the hanger ball/downrod assembly (D).
- Remove the ground lead (MM) from the downrod assembly (D).



3 Assembling the fan

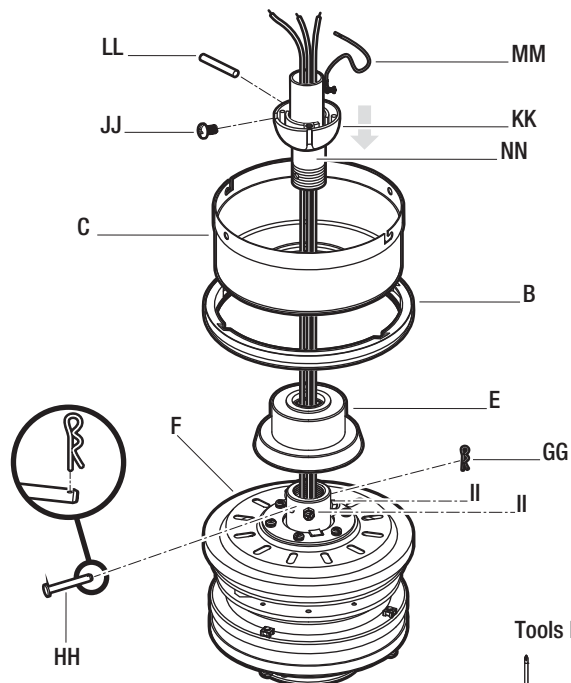


WARNING: Failure to properly install the cotter pin (GG) could result in the fan loosening and possibly falling.



NOTE: If a longer downrod (not included) is needed, take out the screw located in the hanger ball (KK), lower the hanger ball (KK) and remove the pin (LL). Remove all three pieces from the downrod and assemble them onto the new longer downrod before proceeding to the downrod installation.

- Carefully feed the motor wires up through the downrod (NN). Thread the downrod (NN) into the collar.
- Align the holes and replace clevis pin (HH) and cotter pin (GG). Tighten the two collar setscrews (II).
- Slip the coupling cover (E), canopy ring (B), and canopy (C) onto the downrod (NN).
- Carefully reinstall the hanger ball (KK) onto the downrod (NN) and reinstall the ground lead (MM) onto the downrod (NN), being sure that the cross pin (LL) is in the correct position, the setscrew (JJ) is tightened and wires are not twisted.



Tools Required:



Phillips
screwdriver

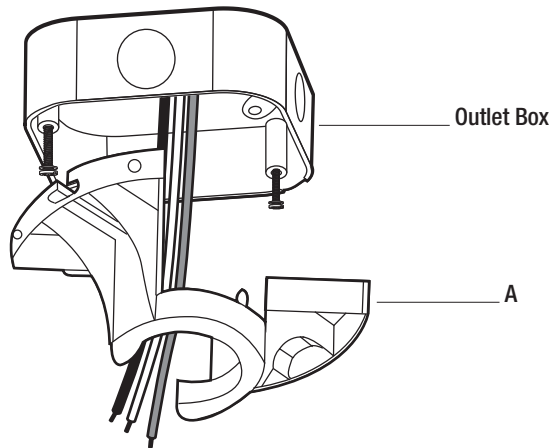
Assembly – Hanging the Fan

4 Attaching the mounting bracket to the electrical box



WARNING: To reduce the risk of fire, electric shock or other personal injury, mount the fan only to an outlet box or supporting system marked acceptable for fan support and use the mounting screws provided with the outlet box.

- Attach the mounting bracket (A) on the outlet box by sliding the mounting bracket (A) over the screws provided with the outlet box. Note that the flat side of the mounting bracket (A) is toward the outlet box.
- Securely tighten the two mounting screws.

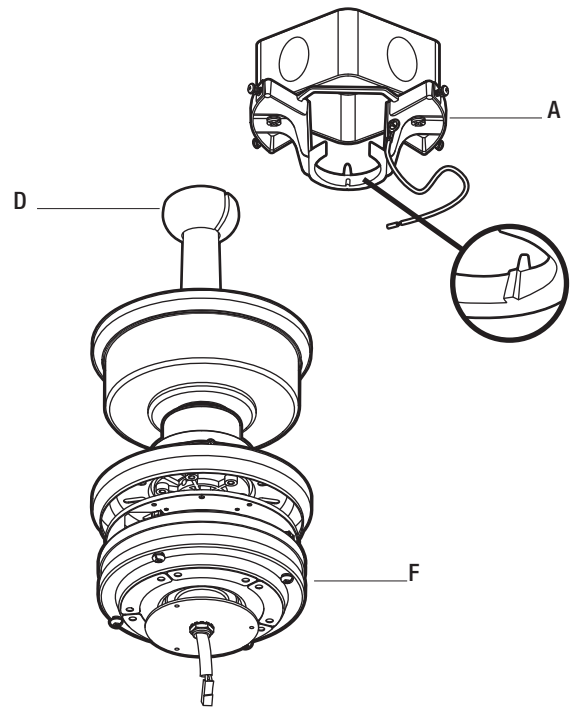


5 Hanging the fan to the mounting bracket



WARNING: The tab in the ring must rest in the groove of the hanger ball / downrod assembly (D). Failure to properly seat the tab in the groove could cause damage to the wiring.

- Carefully lift the fan motor assembly (F) up to the mounting bracket (A) and seat the hanger ball / downrod assembly (D) in the mounting bracket (A) socket. Make sure the tab on the mounting bracket (A) socket is properly seated in the groove in the hanger ball / downrod assembly (D). This will help to balance the ceiling fan.



Tools Required:



Phillips
screwdriver



Ladder

Assembly – Hanging the Fan (continued)

6 Preparing the remote control



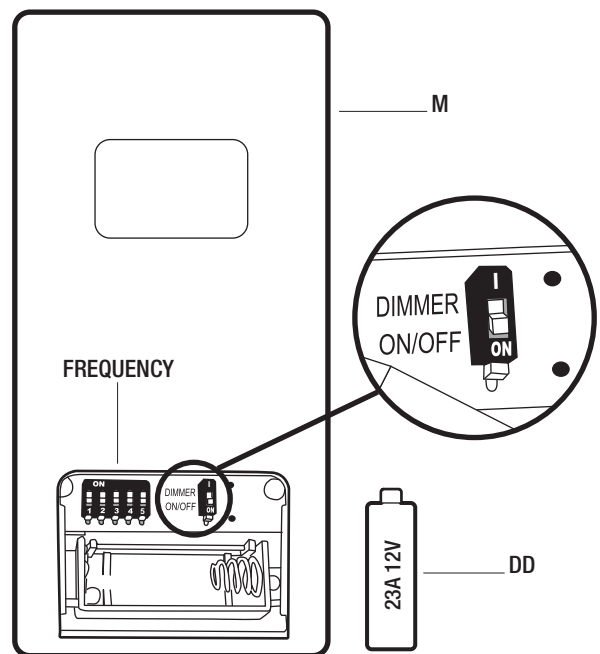
NOTE: This DC motor fans is equipped with a learning frequency function which has 32 code combinations to prevent potential interference from other remote units. The frequency on your Receiver and Transmitter units have been preset at the factory. No frequency change is necessary, should you desire to install another DC motor fan within the same home or area with a separate frequency code please see the “operation” section of this instruction manual to learn how to change the frequency.



NOTE: The battery will weaken with age and should be replaced before leaking takes place as this will damage the remote control. Dispose of the used battery properly and keep the battery out of the reach of children.

The “I (DIMMER)” selection is the light dimmable selection and is to be used with all bulbs except for CFL bulbs. The “ON (ON/OFF)” selection is the light on only (no dimming function) and is to be used with CFL bulbs as CFL bulbs cannot be dimmed properly.

- Remove the battery cover on the back of the remote control (M) by pressing firmly on the arrow and sliding the cover off.
- Install one 23A 12V battery (DD) (included).
- Replace the battery cover on the remote control (M).



Assembly – Hanging the Fan (continued)

7 Making the electrical connections



WARNING: To avoid possible electrical shock, be sure electricity is turned off at the main fuse box before wiring.



WARNING: Check to see that all connections are tight, including ground, and that no bare wire is visible at the wire nuts (except for the ground wire).



CAUTION: To reduce the risk of electric shock, this fan must be installed with an isolating wall control/switch.



NOTE: If there is a 2nd hot (red wire) in the outlet box. Cap the wire off from the fan. You will not need this wire.

If you feel you do not have enough electrical wiring knowledge or experience, have your fan installed by a licensed electrician.

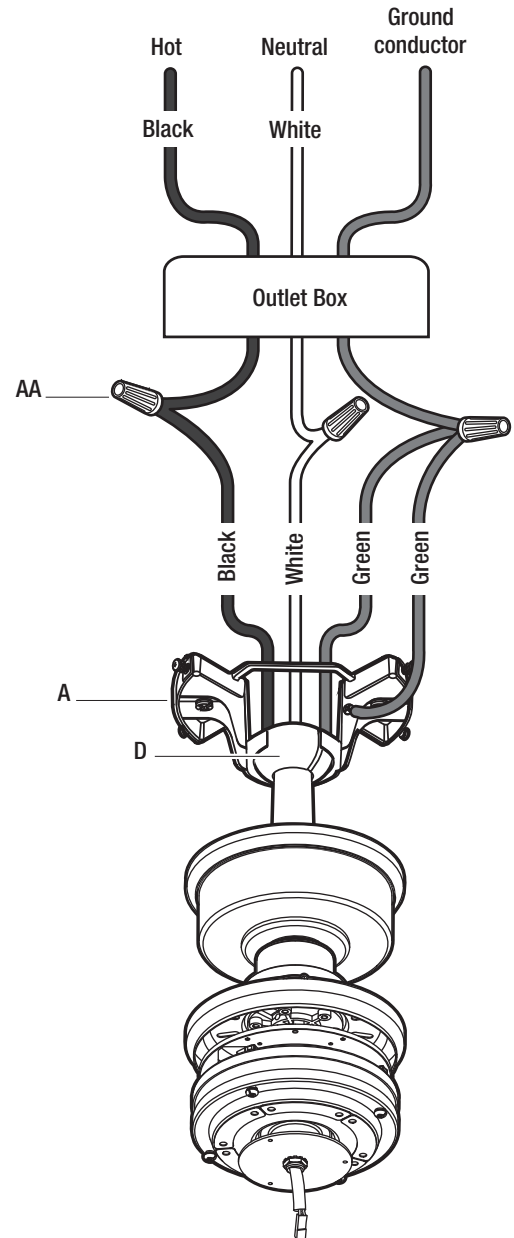
Follow the steps below to connect the fan to your household wiring. Use the plastic wire nuts (AA) with your fan. Secure the plastic wire nuts (AA) with electrical tape. Make sure there are no loose strands or connections.

- Make wire connections as follows, using the wire nuts (AA).

From Fan	To Outlet Box
Black -----	Black Wire (Hot)
White Wire -----	White Wire (Neutral)
Green Wires* -----	Green or Bare Wire (Ground)

* There are two green grounding leads: one from the mounting bracket (A) and one from the hanger ball/downrod assembly (D).

- Turn the wire nut connections upward, spreading them apart so the green (ground) and white wires will be on one side of the outlet box and the black wire will be on the other side. Carefully tuck the connections up into the outlet box.



Tools Required:



Phillips screwdriver



Electrical Tape



Ladder

Assembly – Hanging the Fan (continued)

8 Installing the canopy

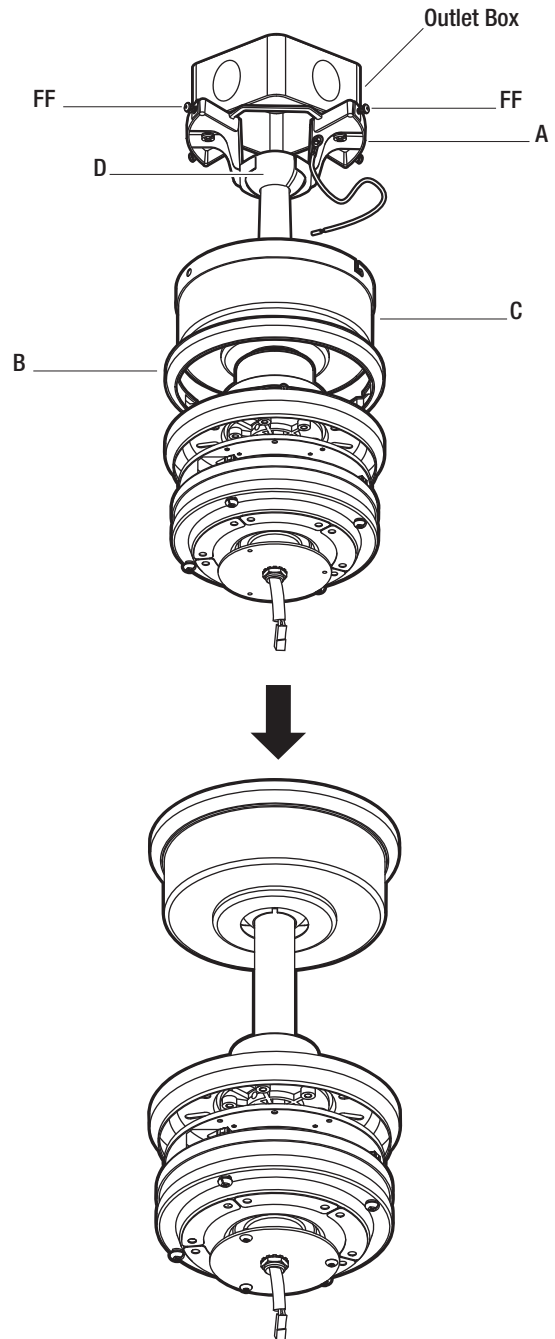


WARNING: Make sure the tab on the mounting bracket (A) properly sits in the groove in the hanger ball/downrod assembly (D) before attaching the canopy (C) to the mounting bracket (A) by turning the canopy (C) until it drops into place.



WARNING: The locking slots of the canopy (C) are provided only as an aid to mounting. Do not leave the fan assembly unattended until all four canopy mounting screws with lock washers (FF) are engaged and firmly tightened.

- Slide the canopy (C) up to the ceiling. Make sure you have placed the wires safely into the outlet box.
- Secure the canopy (C) to the mounting bracket (A) with the four canopy mounting screws with lock washers (FF) included with your fan.
- Slide the canopy ring (B) over the canopy (C) and tighten by turning the ring (B).



Tools Required:



Phillips
screwdriver

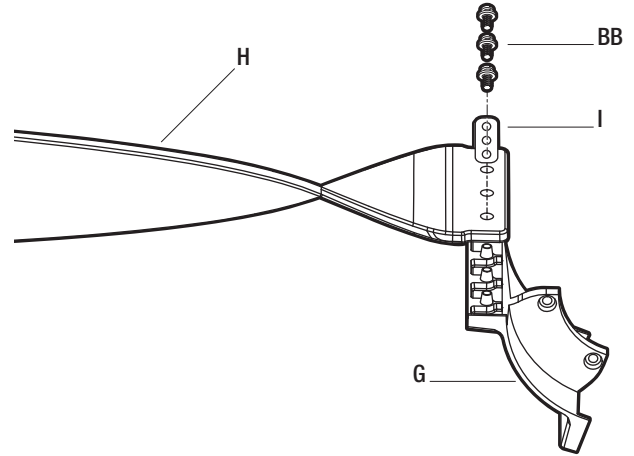


Ladder

Assembly — Attaching the Fan Blades

9 Attaching the blades to the blade arms

- Attach the fan blades (H) to the blade arms (G) using the blade support plates (I) and screws with lock washers (BB) provided. Tighten the screws with lock washers (BB) securely. Repeat this process with the other blades.



10 Fastening the blade assemblies to the motor

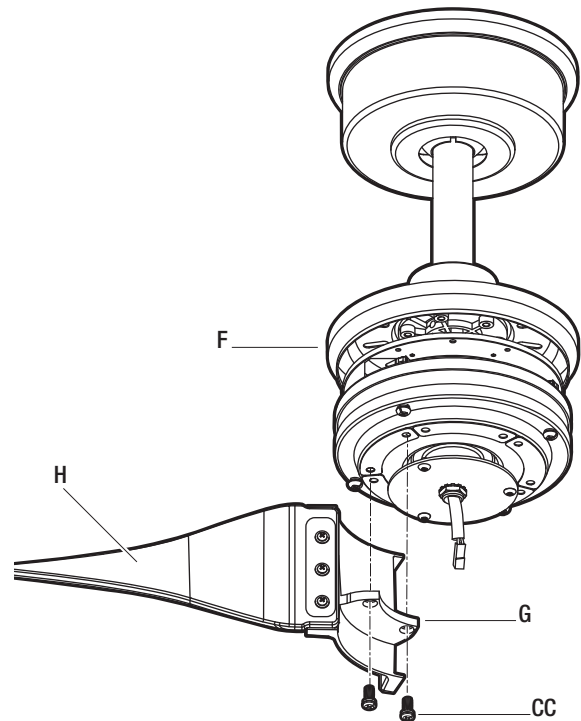


WARNING: To reduce the risk of personal injury, do not bend the blade arms (G) while installing, balancing the blades (H), or cleaning the fan. Do not insert foreign objects between rotating fan blades (H).



NOTE: Do not fully tighten the screws until all blade holders with blade arms are installed. Once all blade holders and blades have been installed you can securely tighten all the screws. This will help proper alignment of the blade holders and blades to the motor.

- Align the fan motor assembly (F) holes to the blade arm (G) holders and install using screws with lock washers (CC) provided.



Tools Required:



Phillips
screwdriver



Ladder

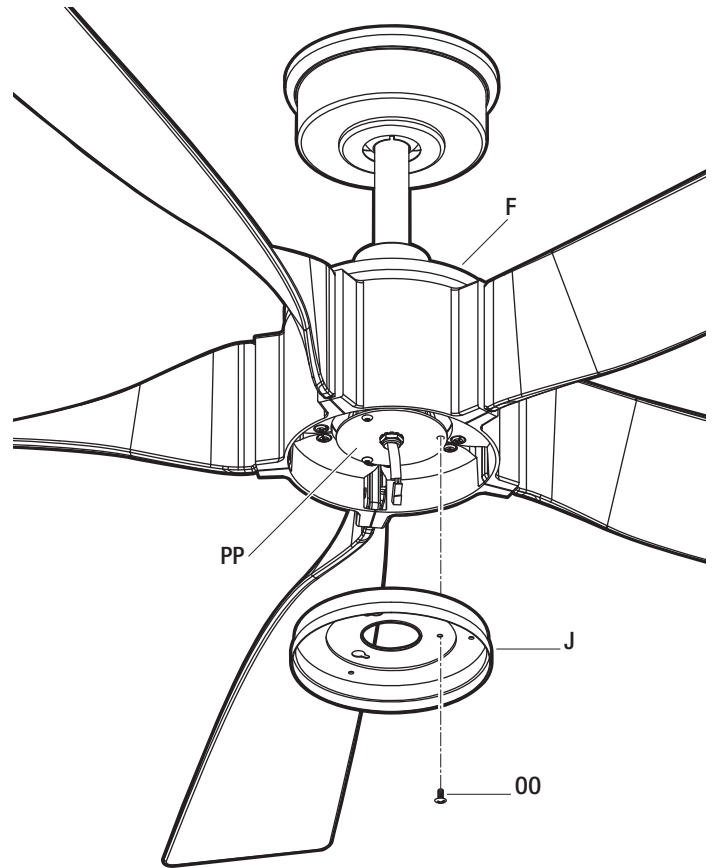
Assembly – Installing the Light Kit

11 Attaching the light kit mounting plate to the mounting ring

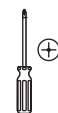


WARNING: To reduce the risk of personal injury, do not bend the blade arms (G) while installing, balancing the blades (H), or cleaning the fan. Do not insert foreign objects between rotating fan blades (H).

- Remove one of the three light kit mounting plate screws (OO) from the mounting ring (PP) and loosen the other two screws. (Do not remove.)
- Place the key holes in the light kit mounting plate (J) over the two screws (OO) previously loosened from the mounting ring (PP). Turn the light kit mounting plate (J) until the light kit mounting plate (J) locks in place at the narrow section of the key holes.
- Securely tighten the two light kit mounting plate screws (OO) previously loosened and the one (OO) previously removed.



Tools Required:



Phillips
screwdriver



Ladder

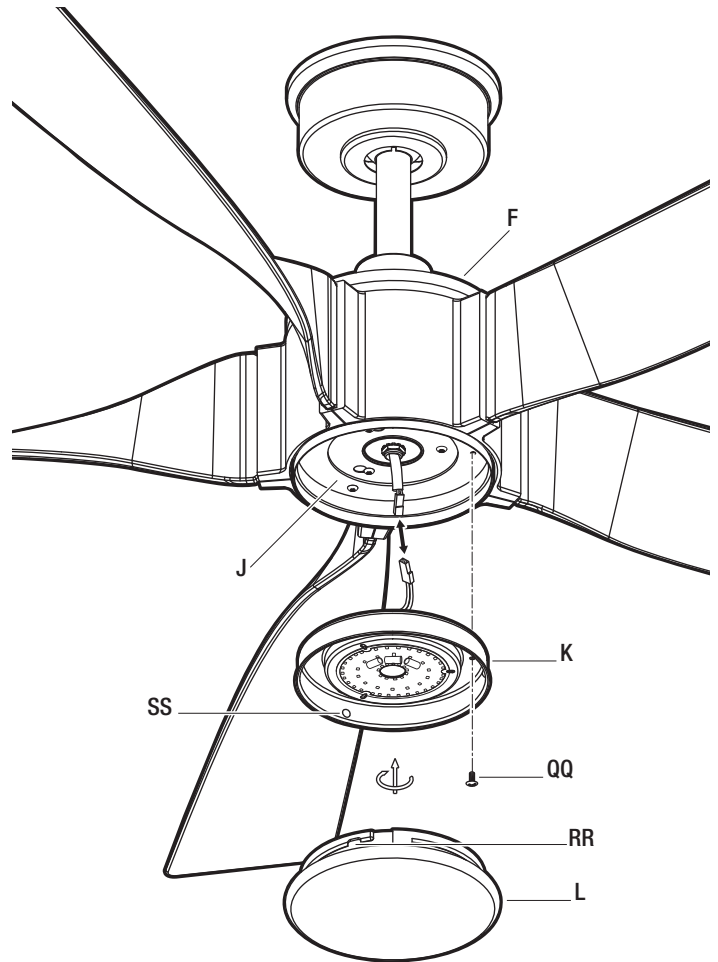
Assembly – Hanging the Fan (continued)

12 Attaching the LED light kit and glass shade



CAUTION: Before starting installation, disconnect the power by turning off the circuit breaker or removing the fuse at the fuse box. Turning power off using the fan switch is not sufficient to prevent electric shock.

- Remove one of the three light kit mounting screws (QQ) from the light kit mounting plate (J) and loosen the other two screws (QQ). (Do not remove.)
- While holding the 20W LED light kit (K) under the fan motor assembly (F), make the 2-pin wire connections:
 - White to white
 - Blue to black
- Place the key holes in the 20W LED light kit (K) over the two mounting screws (QQ) previously loosened from the light kit mounting plate (J). Turn the LED light kit (K) until the LED light kit (K) locks in place at the narrow section of the key holes. Secure by tightening the two light kit mounting screws (QQ) previously loosened and the one (QQ) previously removed.
- Position the notches (RR) in the outer rim of the glass shade (L) so they line up with the tabs (SS) on the inside of the rim on the 20W LED light kit (K). Carefully lift the glass (L) up inside the 20W LED light kit (K) and secure it to the fan by turning the glass shade (L) clockwise until snug. **DO NOT OVERTIGHTEN.**



Tools Required:



Phillips
screwdriver



Ladder

Operation

PAIRING PROCESS



NOTE: The pairing function will only mandate within 60 seconds when turning the fan's AC power ON.

- Select desired frequency from the back of transmitter.
- Press the transmitter's "■" button, and hold the "■" button for over 5 seconds. Once the receiver has detected the frequency, the fan will automatically begin to operate and start to run for 10 seconds. If a light kit is installed, the light will blink two times.

REMOTE CONTROL OPERATING INSTRUCTIONS

Remote Control only: Install an A23 12 volt battery (included). To prevent damage to transmitter remove the battery if not used for long periods of time.

Your DC brushless motor is equipped with a self learning frequency function remote control. Restore power to the ceiling fan and test the transmitter as below for proper operation:



NOTE: On each start up of your ceiling fan, the fan blades will oscillate back and forth. This is a NORMAL OPERATION for DC motor ceiling fans as they go through a calibration cycle. The fan is NOT DEFECTIVE.

A. 1, 2, 3, 4, 5 and 6 button:

These six buttons are used to set the fan speed as follows:

- 1 = minimum speed
- 2 = low speed
- 3 = medium low speed
- 4 = medium speed
- 5 = medium high speed
- 6 = high speed

B. ↺ Reverse Button:

This button is used to change the direction of the rotation of the blades; counterclockwise for summer weather or clockwise for winter weather.

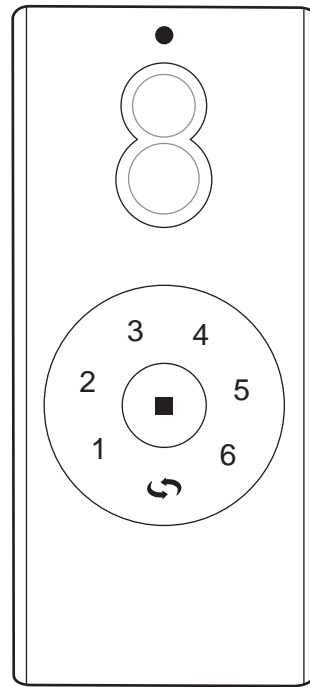
C. ■ Button:

This button turns the power Off to the Fan.

D. ⏮ ⏭ Button:

Fans that feature an UP light (⏮ button) and a DOWN light (⏭ button) that are controlled independent of each other. Press and release the button for the desired light to turn the light ON or OFF. Press and hold the button to set the desired light brightness. The light will cycle between bright and dim settings as long as the button is pressed. The light key has an automatic auto-resume feature that allows the light to remain at the same brightness as the last time it was turned off.

M _____



Operation (continued)



NOTE: The learning frequency function and self calibration test will continue to retain the last set frequency and calibration set even when the AC power is shut off. If the frequency is changed, the self calibration test will occur again.

- **Lock position:**
The DC motor has a built-in safety against obstruction during operation. The motor lock's and disconnect's power after 30 seconds if interruption occurs. Please remove obstacles before re-setting.
- **Over 80W protection:**
When the receiver detects motor power consumption which is greater than 80W, the receiver's power will stop and operation will be immediately discontinued. Turn the receiver power on after 5 seconds.
- **"D" and "ON" dip switch:**
The "D" selection is the light dimmable selection and is to be used with all bulbs except for CFL bulbs. The "ON" selection is For CFL bulbs.

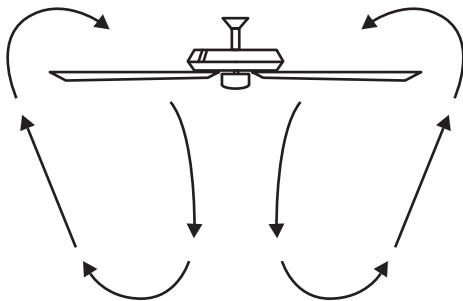
REVERSE SWITCH OPERATING INSTRUCTIONS

Speed settings for warm or cool weather depend on factors such as the room size, ceiling height, number of fans.

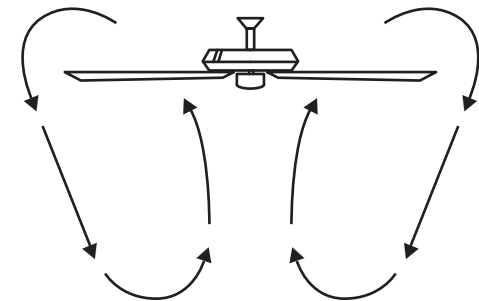


NOTE: The fan reverse buttons must be pressed while the fan is running.

Summer weather - (Counterclockwise Direction) A downward air flow creates a cooling effect. This allows you to set your air conditioner on a warmer setting without affecting your comfort.

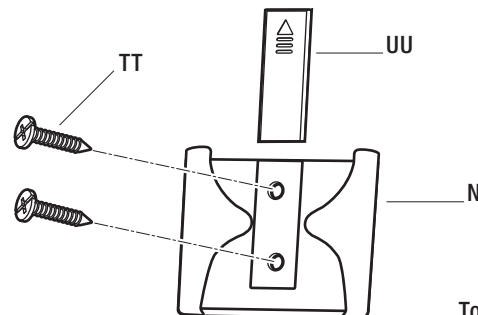


Winter weather - (Clockwise Direction) An upward air flow moves warm air off the ceiling. This allows you to set your heating unit on a cooler setting without affecting your comfort.



INSTALLING THE REMOTE CONTROL HOLDER

- Attach the remote control holder (N) with the two remote control holder mounting screws (TT).
- Replace the remote control holder cover (UU) into the remote control holder (N).



Tools Required:



Phillips
screwdriver

Care and Cleaning

Do

- Check the support connections, brackets, and blade attachments twice a year. Make sure they are secure. Because of the fan's natural movement, some connections may become loose over time. It is not necessary to remove the fan from the ceiling.
- Clean your fan periodically. Use only a soft brush or lint-free cloth to avoid scratching the finish. The plating is sealed with a lacquer to minimize discoloration or tarnishing.
- (Optional) Apply a light coat of furniture polish to the wood blades.
- (Optional) Cover small scratches with a light application of shoe polish.

Do not

- Use water when cleaning. Water could damage the motor, or the wood, or possibly cause an electrical shock.
- Apply oil to your fan or motor. The motor has permanently-lubricated sealed ball bearings.

Troubleshooting



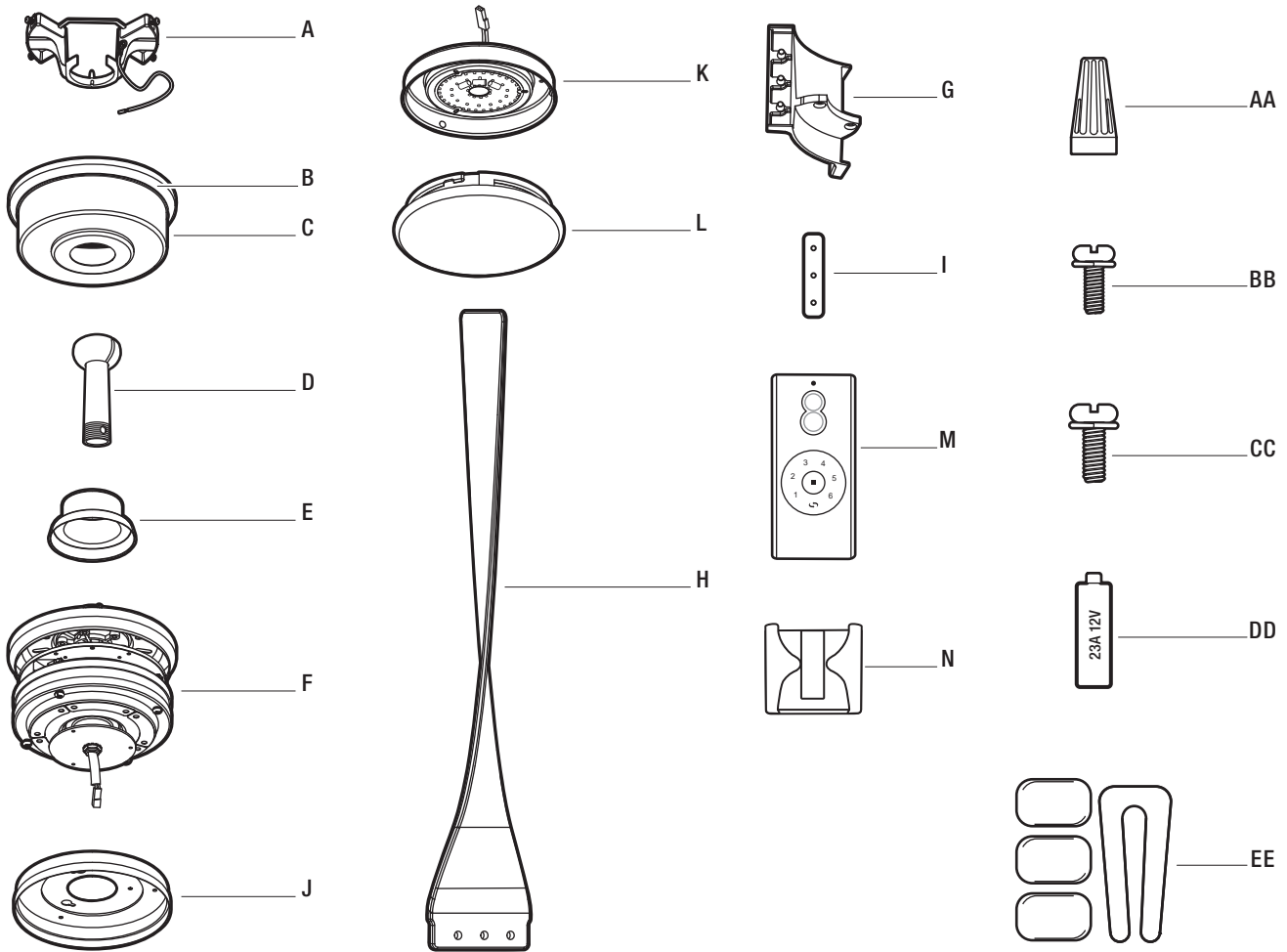
WARNING: Make sure the power is off at the electrical panel box before you attempt any repairs. Refer to step 7 "Making the electrical connections" on page 11.

Problem	Solution
The fan will not start.	□ Check the main and branch circuit fuses or breakers.
	□ Check the line wire connections to the fan and switch wire connections in the switch housing.
	□ Check to make sure the frequency switches from the remote control and receiver are set to the same frequency.
	□ Reset the transmitter by going through the transmitter "PAIRING PROCESS".
The fan sounds noisy.	□ Make sure all motor housing screws are snug.
	□ Make sure the screws that attach the fan blade to the motor hub are tight.
	□ Make sure the wire nut connections are not rattling against each other or the interior wall of the switch housing.
	□ Allow a 24-hour "breaking-in" period. Most noises associated with a new fan disappear during this time.
	□ If using the ceiling light kit, make sure the glassware is secured tightly.
	□ Make sure there is a short distance from the ceiling to the canopy. It should not touch the ceiling.

Troubleshooting (continued)

Problem	Solution
The fan sounds noisy.	<ul style="list-style-type: none"> <input type="checkbox"/> Make sure your ceiling box is secure and that rubber isolator pads are used between the mounting bracket and outlet box.
The remote control is not working.	<ul style="list-style-type: none"> <input type="checkbox"/> Do not connect the fan with wall mounted variable speed control(s).
	<ul style="list-style-type: none"> <input type="checkbox"/> Make sure the frequency switches are set correctly.
	<ul style="list-style-type: none"> <input type="checkbox"/> Reset the transmitter by going through the transmitter "PAIRING PROCESS".
The fan wobbles.	<ul style="list-style-type: none"> <input type="checkbox"/> Check that all blade and blade arm screws are secure.
	<ul style="list-style-type: none"> <input type="checkbox"/> Most fan wobble problems are caused when blade levels are unequal. Check this level by selecting a point on the ceiling above the tip of one of the blades. Measure from a point on the center of each blade to the point on the ceiling. Rotate the fan until the next blade is positioned for measurement. Repeat for each blade. Measurement deviations should be within 1/8 in. Run the fan for ten minutes.
	<ul style="list-style-type: none"> <input type="checkbox"/> Use the enclosed blade balancing kit if the blade wobble is still noticeable. Balancing kit includes additional instruction manual within the packet.
Fan moves backwards and forwards when turned on.	<ul style="list-style-type: none"> <input type="checkbox"/> This is normal start-up procedure for DC motor fans. The partial movement during start-up is the result of the DC motor aligning the internal magnetic poles for proper motor operation. This design saves electricity and allows the fan to operate much quieter than standard AC motor fans.

Service Parts



Part	Description
A	Mounting bracket (preassembled)
B	Canopy ring (preassembled)
C	Canopy
D	Hanger ball/downrod assembly
E	Coupling cover
F	Fan motor assembly
G	Blade arm
H	Blade
I	Blade support plate
J	Light kit mounting plate
K	20 watt LED Light kit
L	Glass shade
M	Remote control
N	Remote holder

Part	Description
AA	Plastic wire nut
BB	Blade attachment screw with lock washer
CC	Blade arm screw and lock washer
DD	23A 12V battery
EE	Balancing kit

Airflow Cubic Feet per Minute



Downrod**

High	6,115
Medium	4,929
Low	2,287

**With 6 in downrod (included)

ENERGYGUIDE

Estimated
Yearly Energy Cost
\$8



Cost Range of Similar Models (19" - 84")

- Based on 12 cents per kWh and 6.4 hours use per day
- Your cost depends on rates and use
- Energy Use: 29 Watts

Airflow
4,321
Cubic Feet Per Minute

- The higher the airflow, the more air the fan will move
- Airflow Efficiency: 147 Cubic Feet Per Minute Per Watt

All estimates based on typical use, excluding lights

ftc.gov/energy

Airflow Shown is a Weighted Average of High and Low Cubic Feet per Minute Based on Downrod

**HOME
DECORATORS
COLLECTION®**

Questions, problems, missing parts? Before returning to the store,
call Home Decorators Collection Customer Service
8 a.m. - 7 p.m., EST, Monday - Friday, 9 a.m.- 6 p.m., EST, Saturday

1-800-986-3460

HOMEDEPOT.COM/HOMEDECORATORS

Retain this manual for future use.