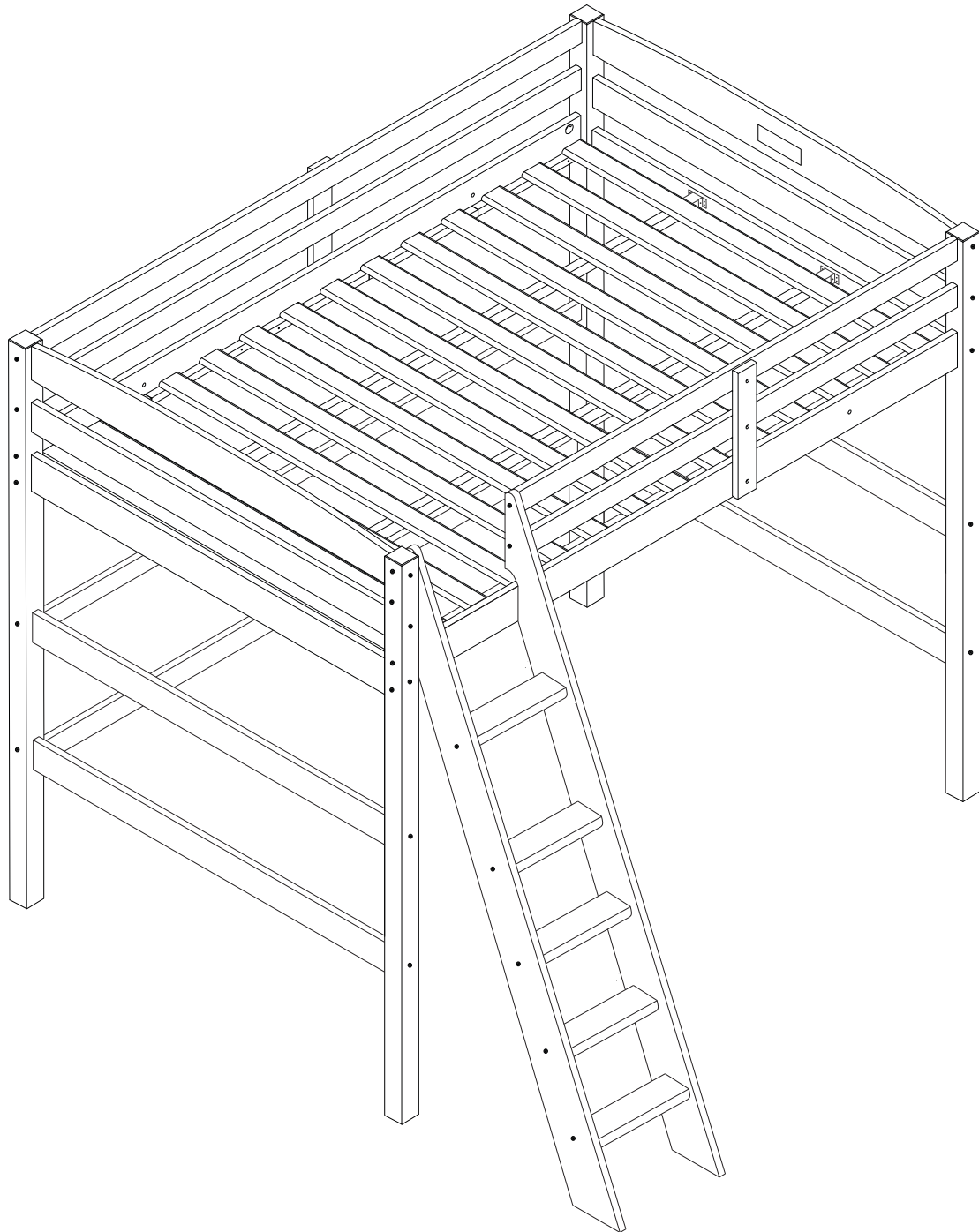


# ASSEMBLY INSTRUCTIONS

## CONCORD HIGH LOFT BED FULL



We appreciate your choice in purchasing our furniture and strive to deliver the highest quality. In the unlikely event that you note any damaged or missing part please do not return to the store. Please reach out to us at [info@camaflexi.com](mailto:info@camaflexi.com) or by phone at (347)844-9307 so that we can expedite shipment of replacements.

## **Please read the following before attempting assembly**

- Your new piece of furniture requires easy assembly. Below are some suggestions to make it easier, minimize time and save you unneeded grief.
- Do not dispose of any packing material until assembly is complete.
- Be sure you assemble the item on a soft surface such as cardboard or a blanket to protect the quality finish from scratches or indentation.
- Separate and organize all hardware in plastic tub, if available, for easy identification.
- Count all hardware and parts to make certain you received all before attempting assembly.
- Inspect each wood part for any unlikely shipping damage or manufacturing flaws. Please contact us at [info@camaflexi](mailto:info@camaflexi) or call (347)844-9307, so that we can expedite a shipping of any replacement parts or hardware if needed.
- You have purchased a real solid wood furniture which may present natural imperfections such knots and minor splits and cracks. Natural wood loses and gains moisture due to seasonal changes which over time may also affect the wood. If the structural integrity of the piece is not compromised, we recommend applying a touch of marker or wax fillers, for any minor imperfections, which can be purchased at most hardware stores. Color variations are normal in real wood furniture, due to the natural grain of the wood.

## **Caring for you new Wood Furniture**

- Always clean with a damp cloth or furniture polish.
- Do not use alcohol or alcohol solvents for cleaning.
- Avoid placing in direct sun light to minimize damage due to UV rays.
- Try not to place furniture very near or on top of heaters.

**We hope you enjoy your new piece of Natural Wood Furniture  
for years to come!**

## **SAFETYWARNINGS**

- ✓ Follow the information on the warning labels on the upper bunk bed structure and on the carton. Do not remove warning label from the bed.
- ✓ Always use the recommended size mattress support, or both, to help prevent the likelihood of entrapment or falls.
- ✓ The top surfaces of the mattress must be at least 5" below the upper edge of the guardrails.
- ✓ **Do not** allow children under 6 years of age to use the upper bunk.
- ✓ **Prohibit** more than one person on the upper bunk.
- ✓ Periodically check and ensure that the guardrails, ladder and other components are in their proper position, free from damage, and that all connectors are tight.
- ✓ **Do not** allow horseplay on or under the bed. Always prohibit jumping on the bed.
- ✓ Always use the ladder for entering and leaving the upper bunk.
- ✓ **Do not** use substitute parts. Contact the manufacturer or dealer for replacement parts.
- ✓ Use of a night-light may provide added safety for a child using the upper bunk.
- ✓ If the bunk bed will be placed next to the wall, the guardrail that runs the full length of the bed should be placed against the wall to prevent entrapment between the bed and the wall.
- ✓ Always use guardrails on both long sides of the upper bunk.
- ✓ The use of a water or sleep floatation mattress is prohibited.
- ✓ Keep these instructions for future reference.
- ✓ We recommend assembling your bunk bed on the shipping carton to protect your floor or carpet. Be certain all staples are out of the box before beginning assembly on the shipping carton.
  
- ✓ **SIZE OF MATTRESS:** Upper and lower foundation  
THIS BED IS DESIGNED TO USE A MATTRESS (74" TO 75") LONG, AND (52-1/2" TO 53-1/2") IN WIDTH AND THE ENCLOSED SLAT KIT SYSTEM. THE TOTAL THICKNESS OF MATTRESS AND FOUNDATION MUST NOT EXCEED 8"  
NOTE: THERE MUST BE AT LEAST 5" FROM MATTRESS SLEEPING SURFACE TO TOP EDGE OF GUARDRAIL.
  
- ✓ **Strangulation Hazard:** Never attach or hang items to any part of the bunk bed that are not designed for use with the bed for example, but not limited to hooks, belts and jump ropes.
  
- ✓ **REPLACEMENT PARTS:**  
REPLACEMENT PARTS, INCLUDING ADDITIONAL GUARDRAILS, MAY BE OBTAINED BY CONTACTING 'ECOFLEX FURNITURE LLC' at: [info@camaflexi.com](mailto:info@camaflexi.com), or by CALLING: (347) 844-9307.

### **Ecoflex Furniture LLC.**

1031 E. Mountain Street-Bldg. 306  
KernerSville, NC 27248  
United States

# INSTRUCTIONS FOR MODEL: T1402F/03F/04F CONCORD HIGH LOFT BED FULL SIZE

## IMPORTANT:

Read all instruction first, then follow each step as numbered and described.

Two or more persons required for assembly.

Caution: These assembly steps have been engineered to result in a quality product. Failure to follow instructions may result in unsound place of furniture.

Before using furniture, make sure all connections are secured.

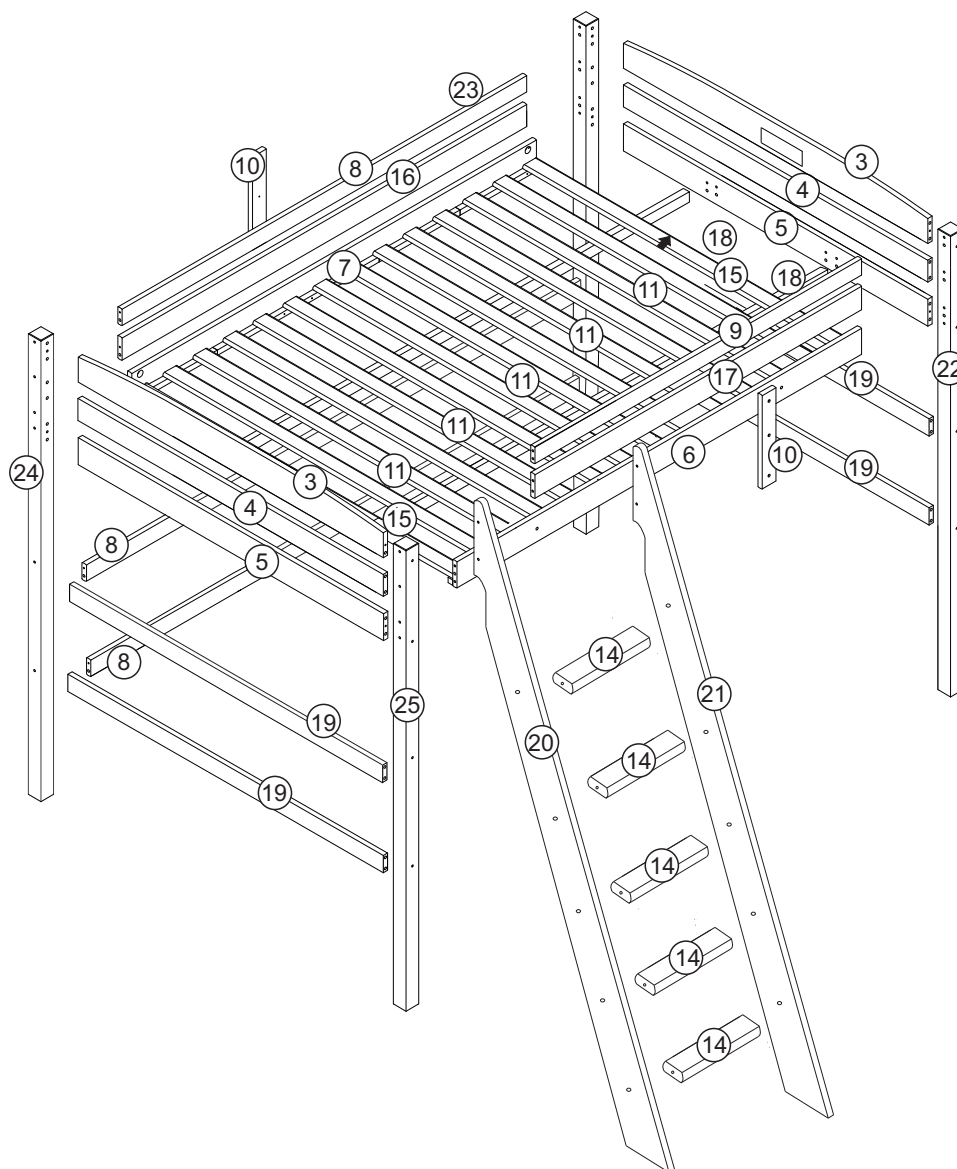
## TOOLS REQUIRED:

Philips Screwdriver

Hammer

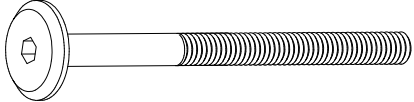

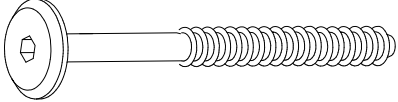
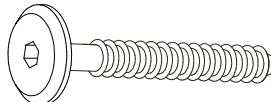
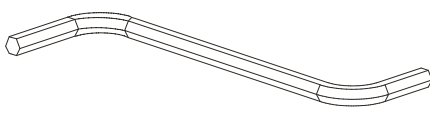
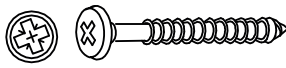
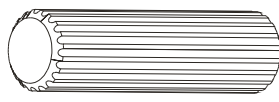
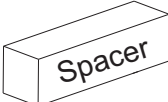
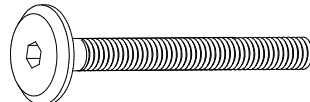
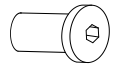

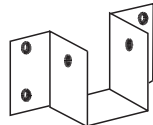
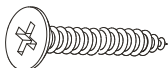
## CARTONS REQUIRED:

-Carton 1/1 bed end structures (Headboards and Footboards, slats, ladder sides, hardware, assembly instruction, rails, guardrails, ladder, steps).

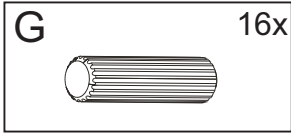
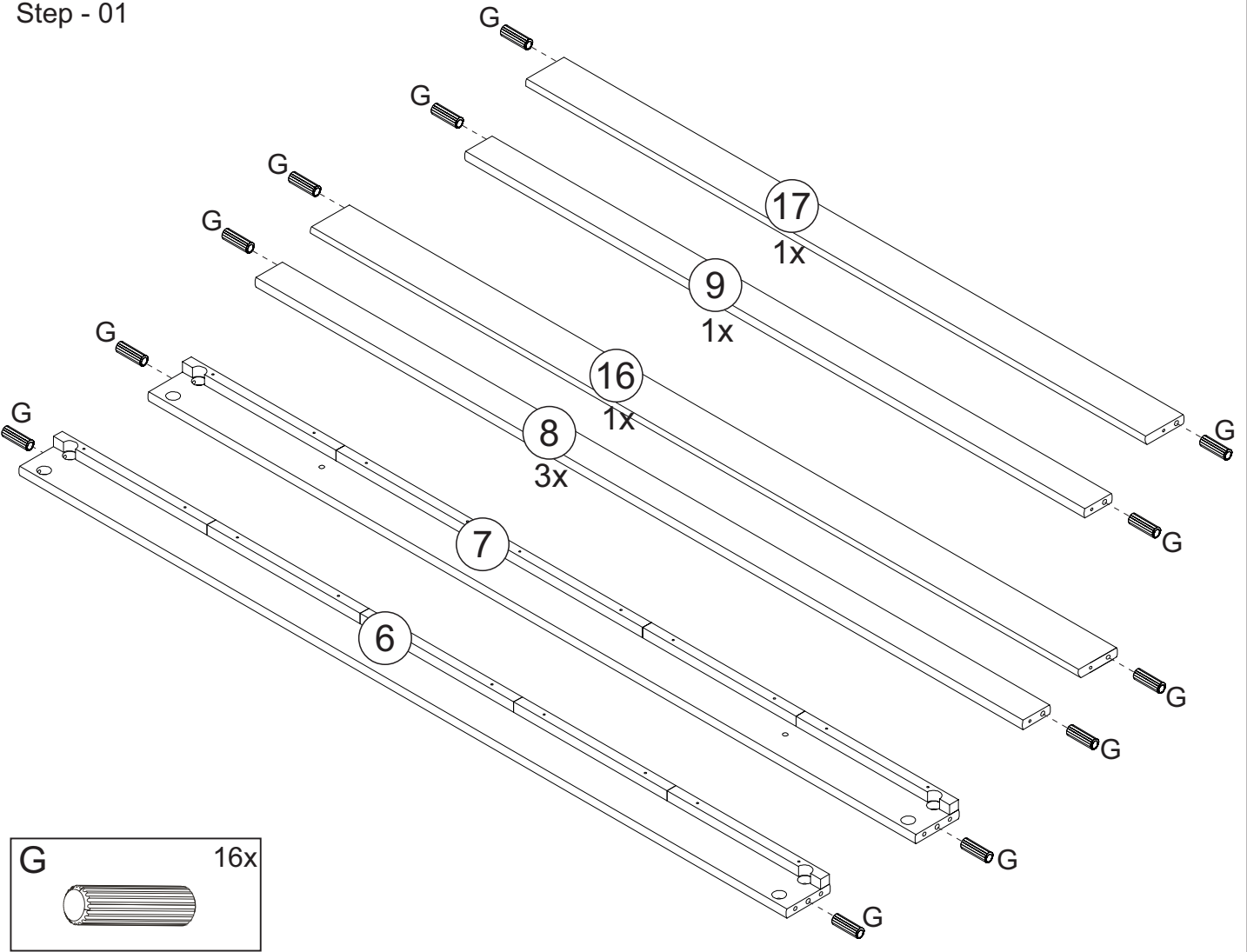


PARTS LIST (SEPARATE PARTS OF BUNK BED ACCORDING TO NUMBERING):  
NR. (1,2,3,4,5,6,7,8,9,10,11,12,13,14,15,16,17,18,19,20) QUANTITY BOX 1 Of 1.

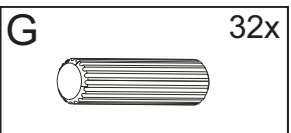
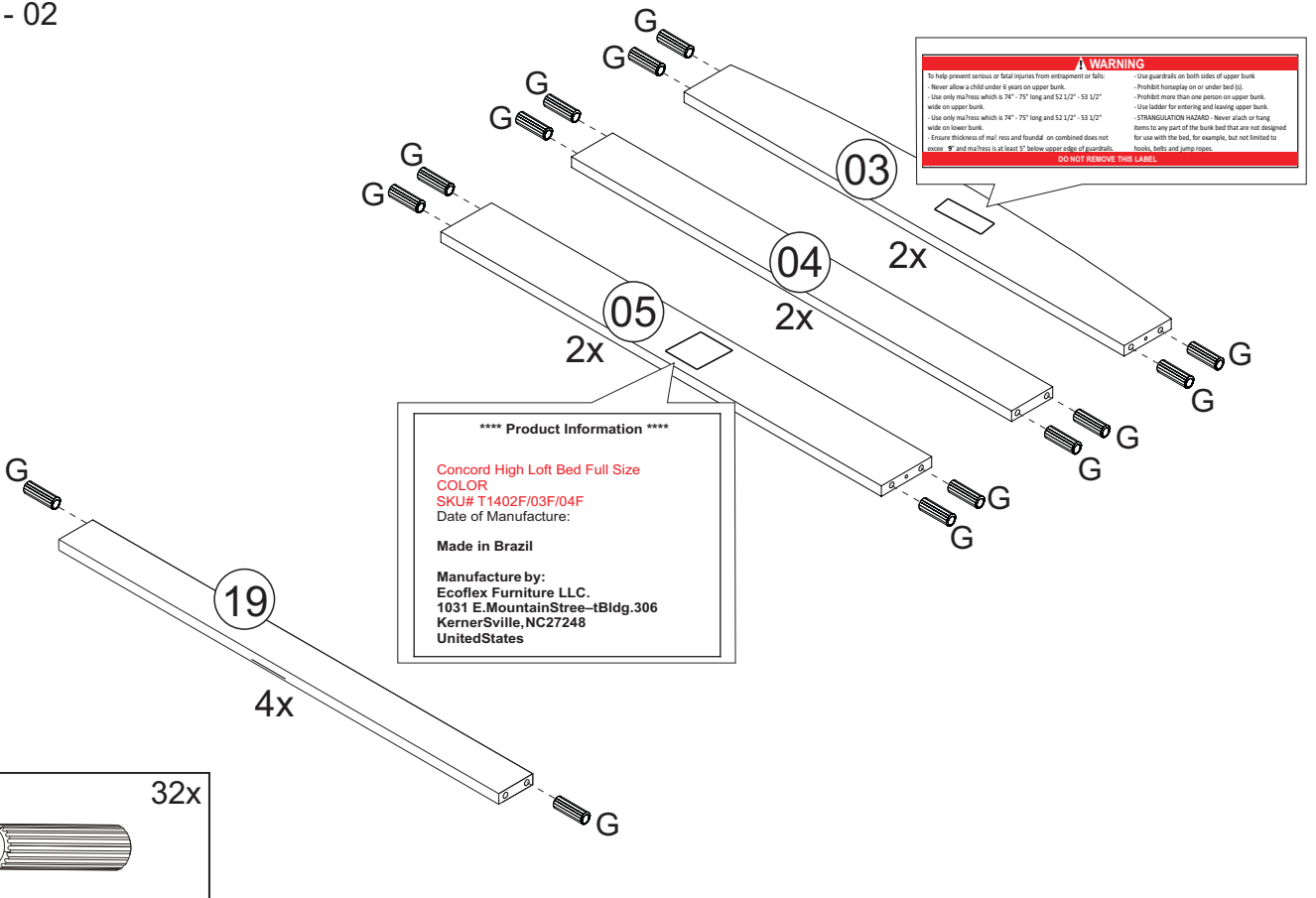
ATTENTION!!! HARDWARE BELOW (SEPARATE AND CONFER)

A	 <p style="text-align: right;">1/4" x 100</p>	08
B	 <p style="text-align: right;">1/4"</p>	08
C	 <p style="text-align: right;">7 x 100</p>	26
D	 <p style="text-align: right;">7 x 50</p>	13
E		01
F	 <p style="text-align: right;">4 x 30</p>	34
G	 <p style="text-align: right;">10 x 50</p>	48
H	 <p style="text-align: right;">73mm</p>	02
J1	 <p style="text-align: right;">1/4" x 70 Union Screw</p>	02
J2	 <p style="text-align: right;">Union Screw</p>	02
K	 <p style="text-align: right;">10mm</p>	01
L		04
M	 <p style="text-align: right;">3,5 x 16</p>	24

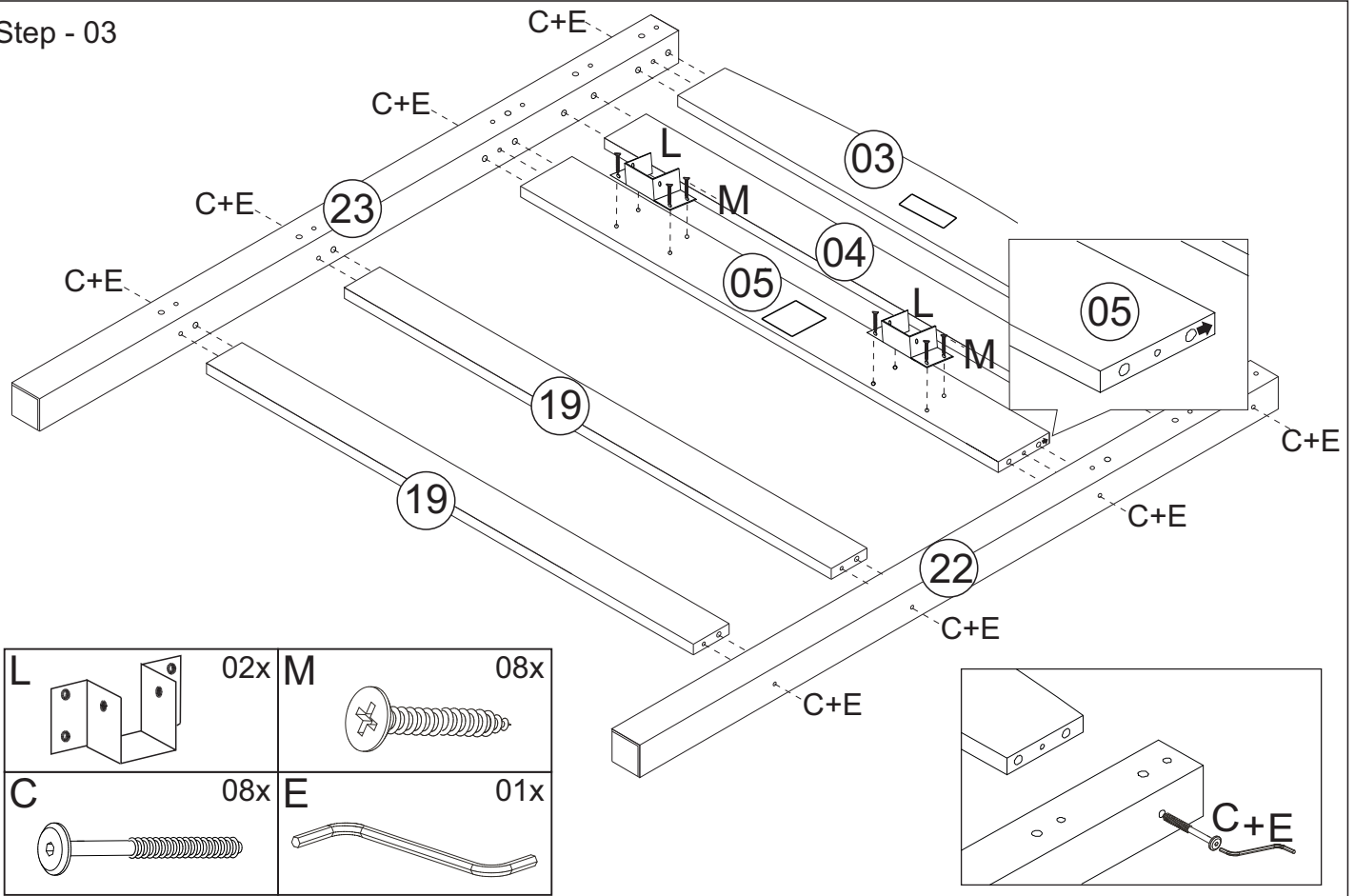
Step - 01



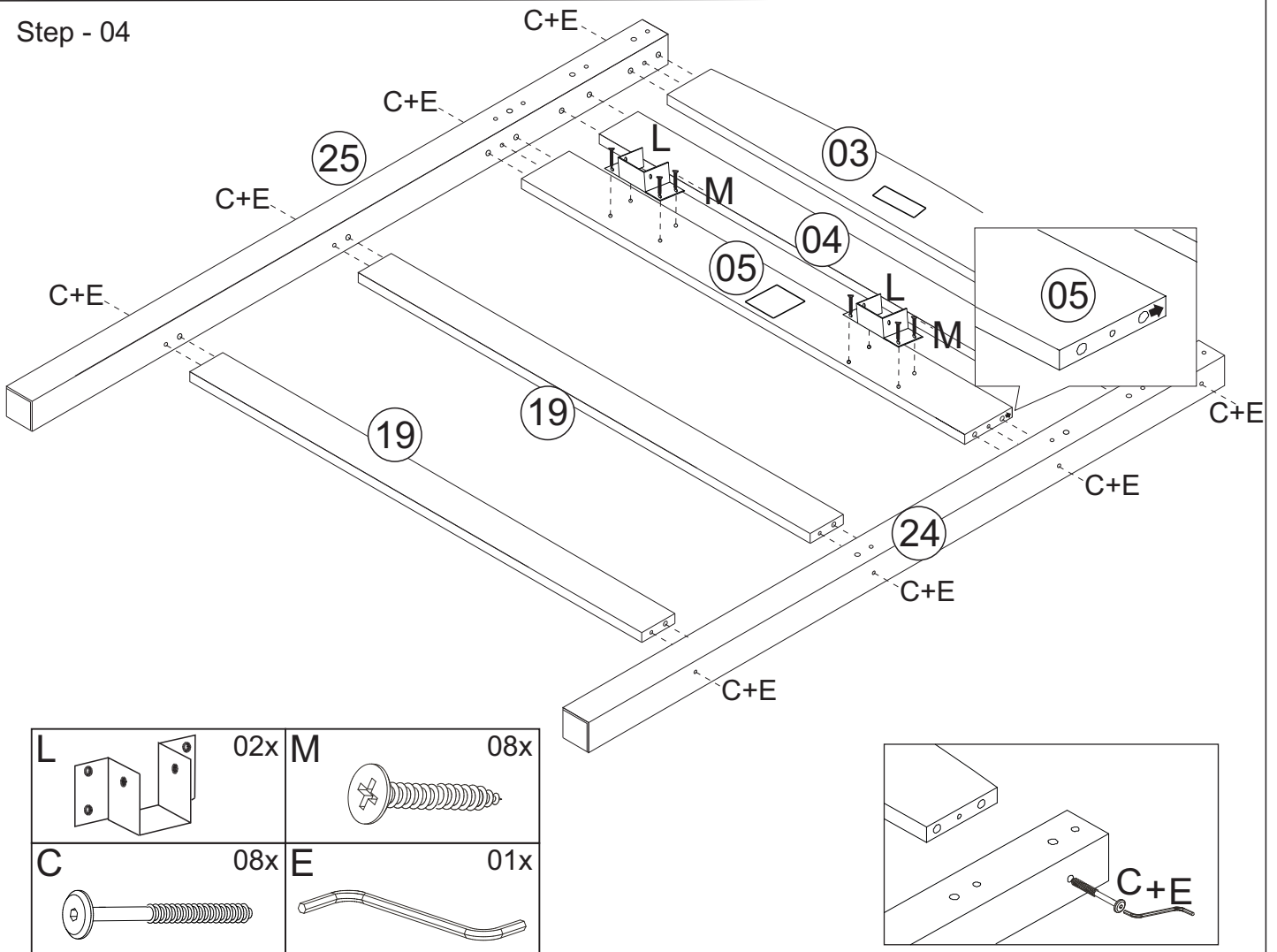
Step - 02



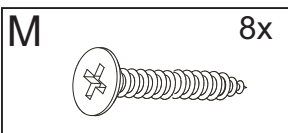
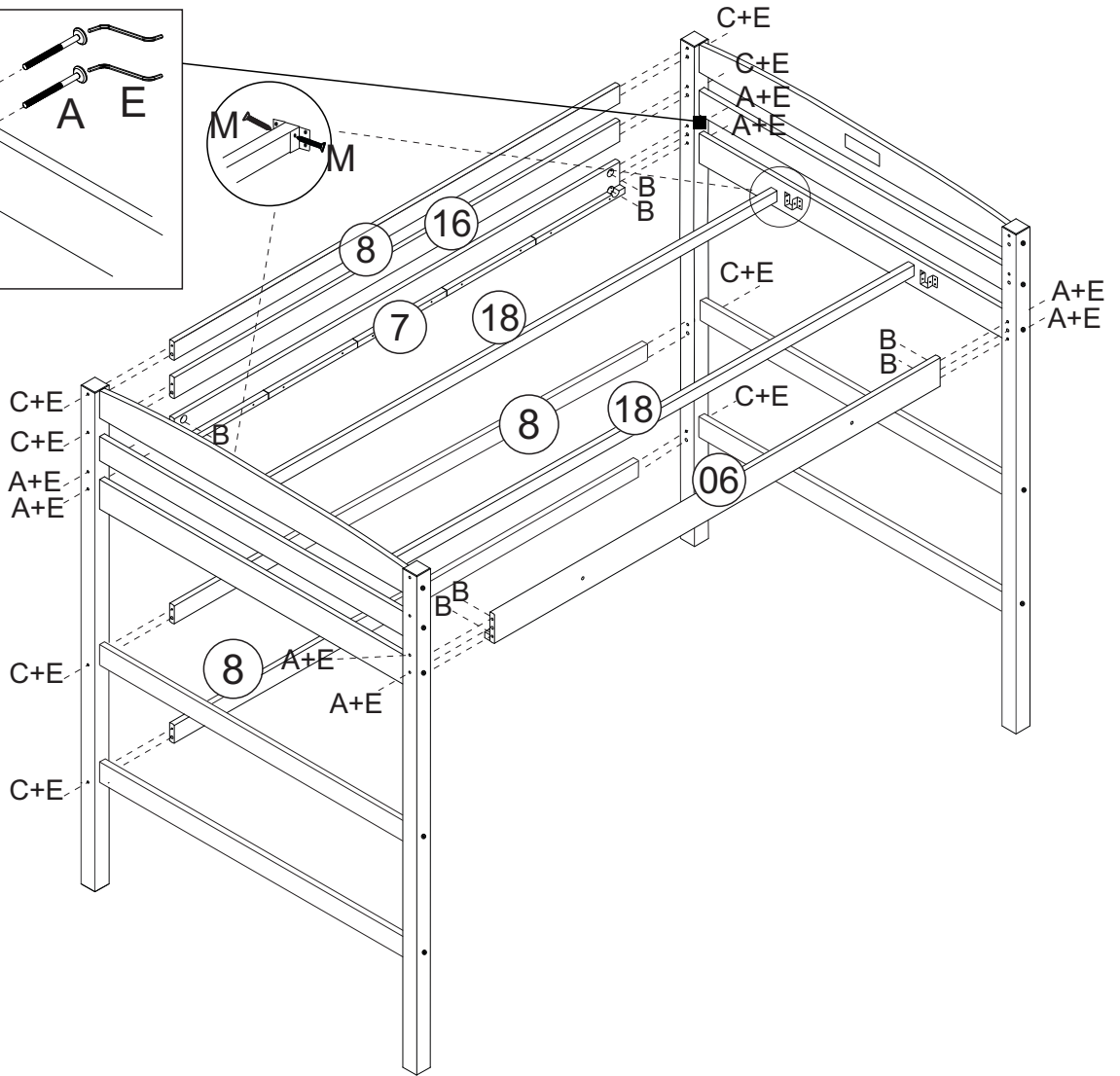
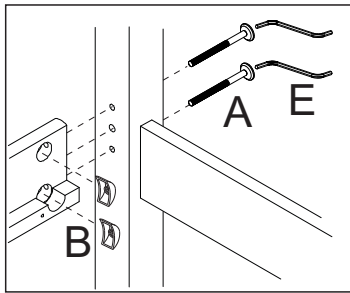
Step - 03

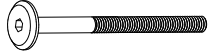

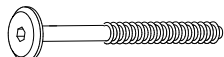



Step - 04



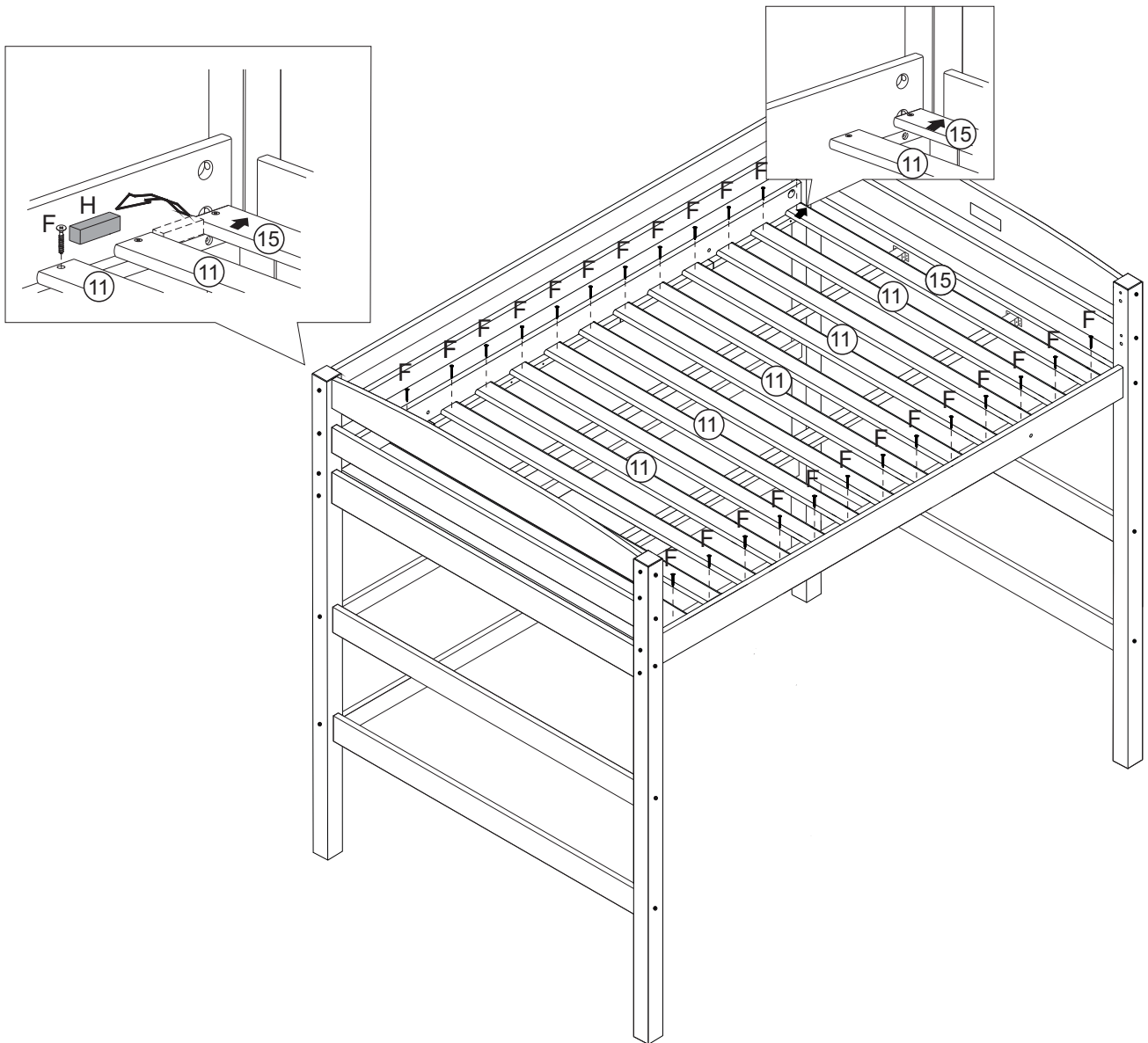
Step - 05


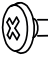



<p><b>A</b> 08x</p> 	<p><b>B</b> 08x</p> 
<p><b>C</b> 08x</p> 	<p><b>E</b> 01x</p> 

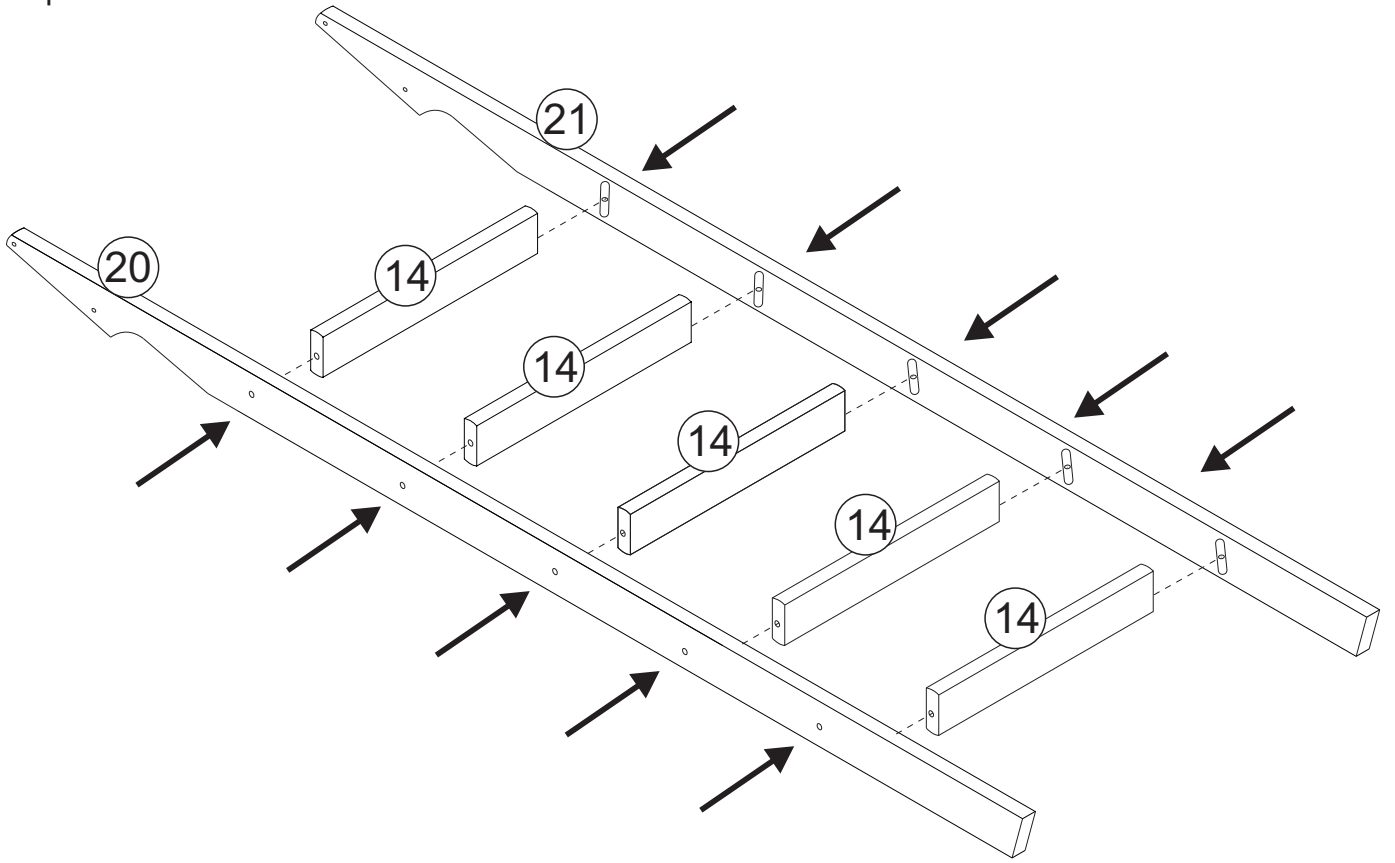


Step - 06

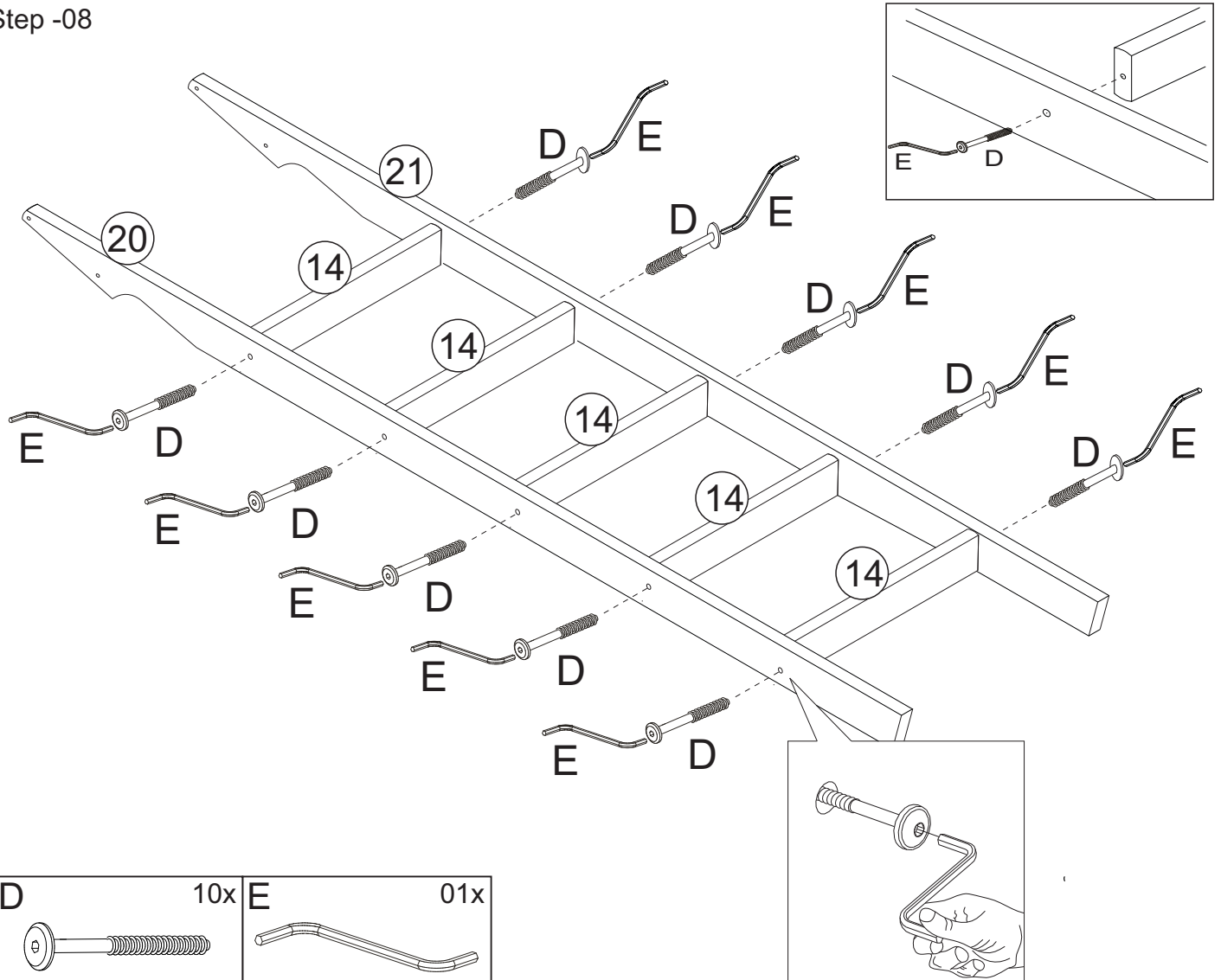


<b>F</b>	28x	<b>H</b>	02x
			

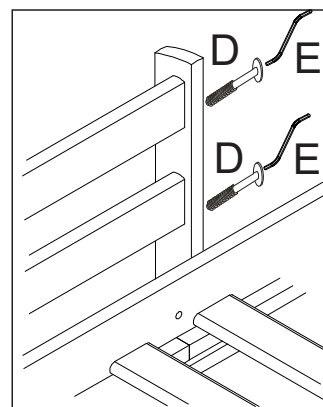
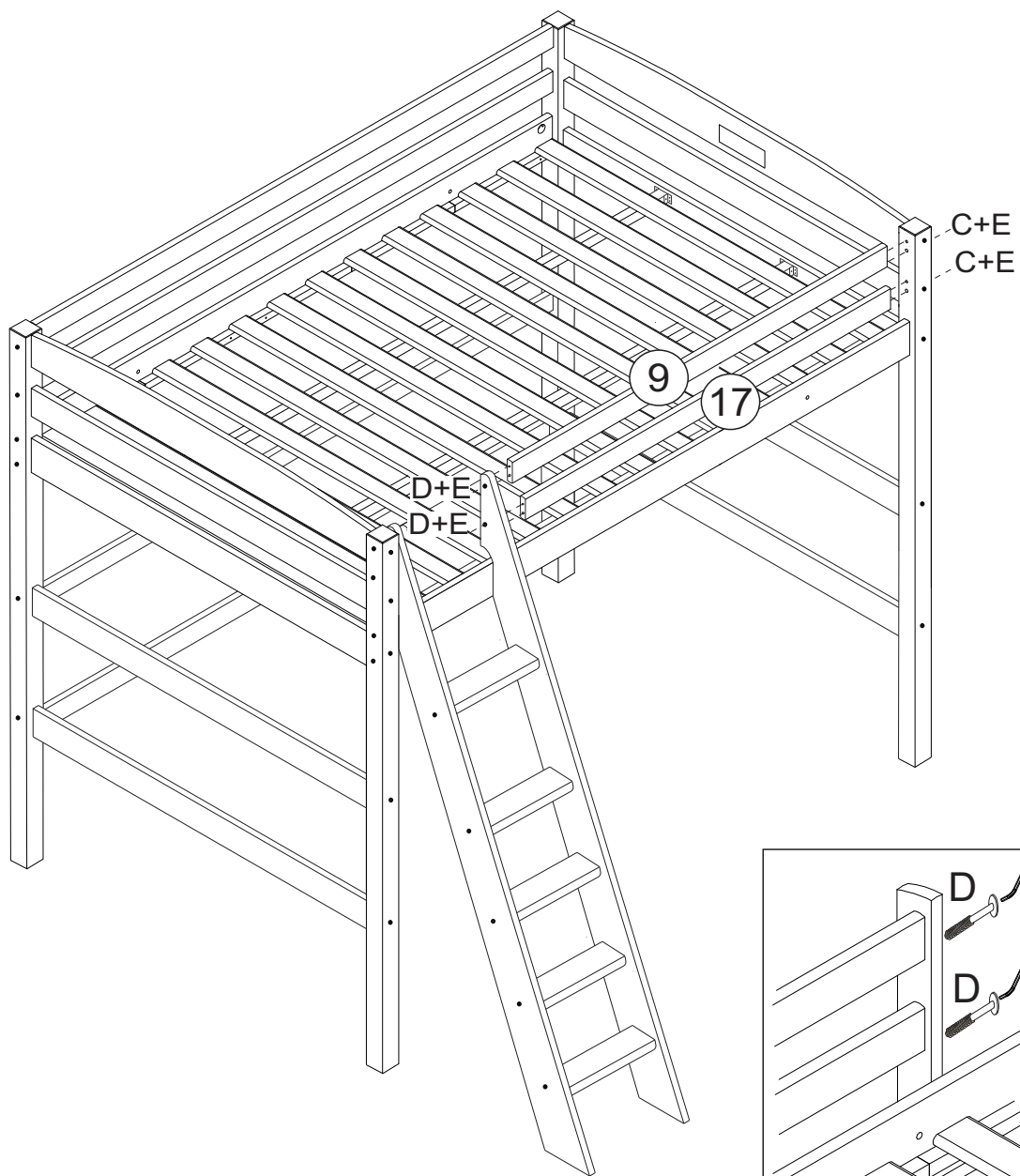
Step - 07

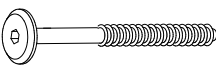
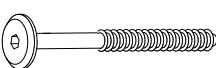



Step -08

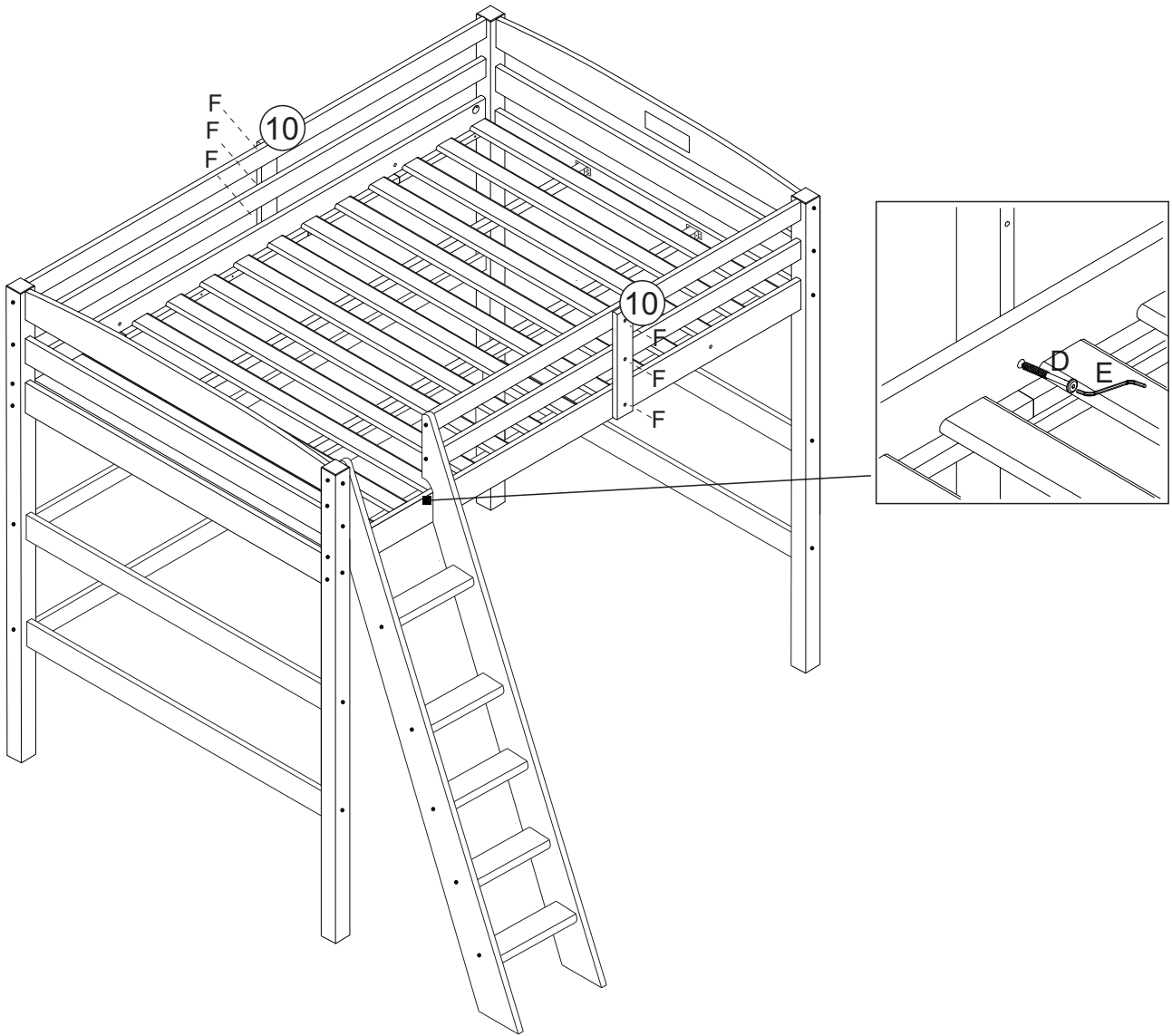


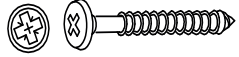
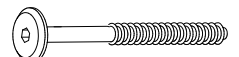

Step - 09



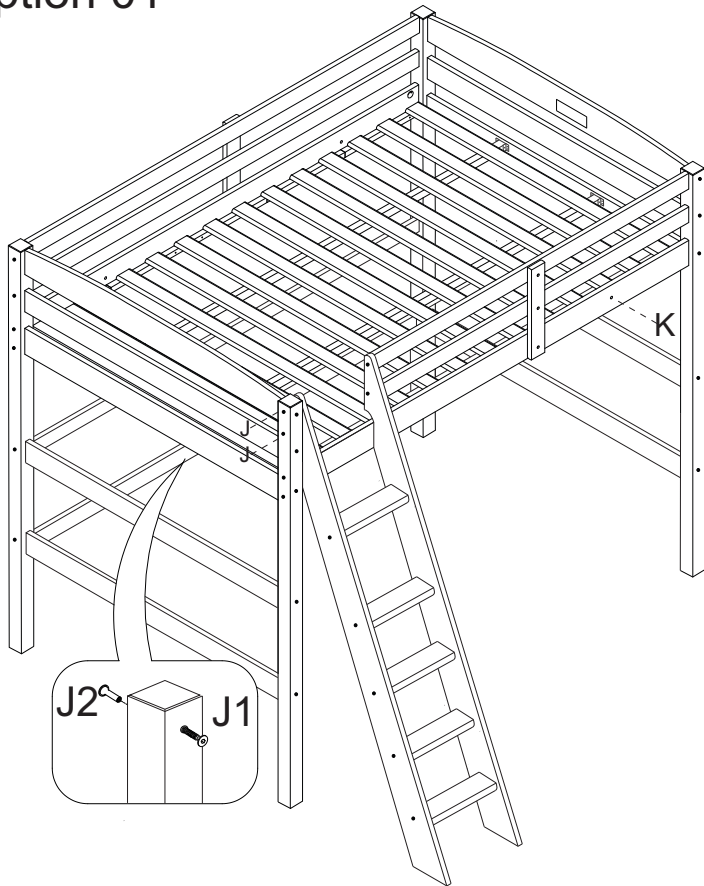
<b>C</b>	02x
	
<b>D</b>	02x
	
<b>E</b>	01x
	

Step - 10

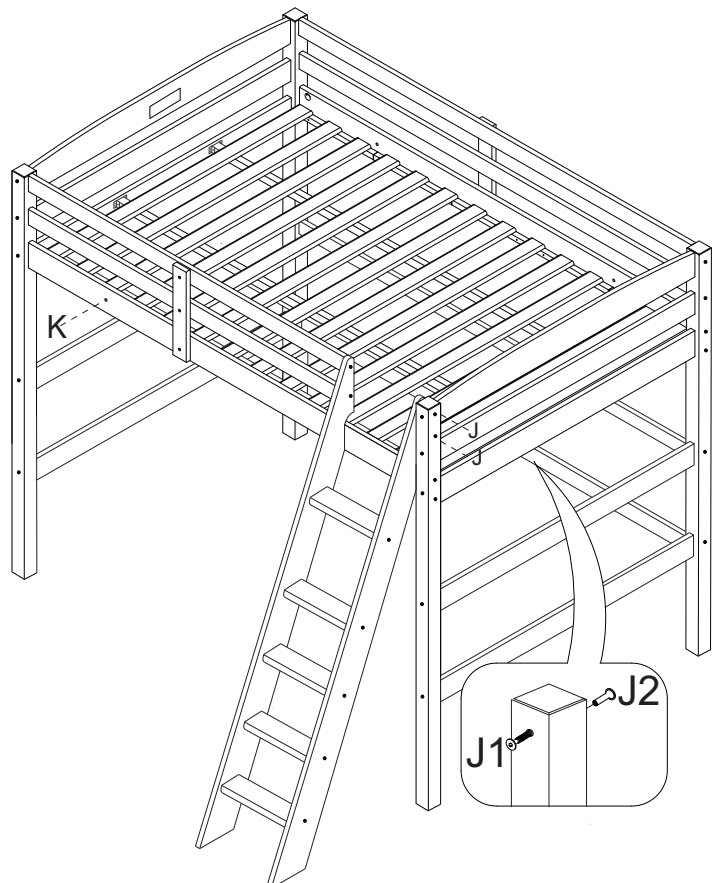


<b>F</b>		06x
<b>D</b>		01x
<b>E</b>		01x

### Option 01



### Option 02



J1	02x		
J2	02x	K	01x