



US00D876150S

(12) **United States Design Patent**
Goldberg

(10) **Patent No.:** **US D876,150 S**

(45) **Date of Patent:** **** Feb. 25, 2020**

- (54) **HOT DOG GRILLER**
- (71) Applicant: **PS Gems LLC**, Brooklyn, NY (US)
- (72) Inventor: **Tzvi Goldberg**, Lakewood, NJ (US)
- (73) Assignee: **PS Gems LLC**, Brooklyn, NY (US)
- (**) Term: **15 Years**

7,591,220 B2 *	9/2009	Sheridan, Jr.	A47J 37/048
			126/181
7,658,143 B2 *	2/2010	Cretors	A47J 37/048
			99/331
9,408,496 B2 *	8/2016	Cretors	A47J 37/048
9,439,535 B1 *	9/2016	Huegerich	A47J 37/048
2010/0170885 A1 *	7/2010	Cretors	H05B 3/02
			219/469

(Continued)

Primary Examiner — Ricky Pham
(74) *Attorney, Agent, or Firm* — Amster, Rothstein & Ebenstein LLP

(21) Appl. No.: **29/667,257**

(22) Filed: **Oct. 19, 2018**

(51) **LOC (12) Cl.** **07-02**

(52) **U.S. Cl.**
USPC **D7/338**

(58) **Field of Classification Search**
USPC D7/323, 328–330, 337–338, 347,
D7/352–364, 367, 402, 409–411
CPC . A21B 5/023; A47J 27/60; A47J 27/62; A47J
36/06; A47J 37/04; A47J 37/048; A47J
37/049; A47J 37/06; A47J 37/067; A47J
37/0605; A47J 37/0611; A47J 37/0623;
A47J 37/0629; A47J 37/0676; A47J
2037/06; A47J 2037/0611; F24C 15/10;
F24C 15/102; H05B 3/02; H05B 6/02;
H05B 6/062

See application file for complete search history.

(56) **References Cited**

U.S. PATENT DOCUMENTS

2,697,395 A *	12/1954	Steriss	A47J 37/048
			99/423
4,516,485 A *	5/1985	Miller	A47J 37/067
			99/339
6,393,971 B1 *	5/2002	Hunot	A47J 36/06
			219/214
6,800,314 B2 *	10/2004	Evans	A47J 37/048
			219/214
D515,864 S *	2/2006	Elnekaveh	D7/338
7,367,261 B2 *	5/2008	Gaskill	A47J 37/048
			99/339

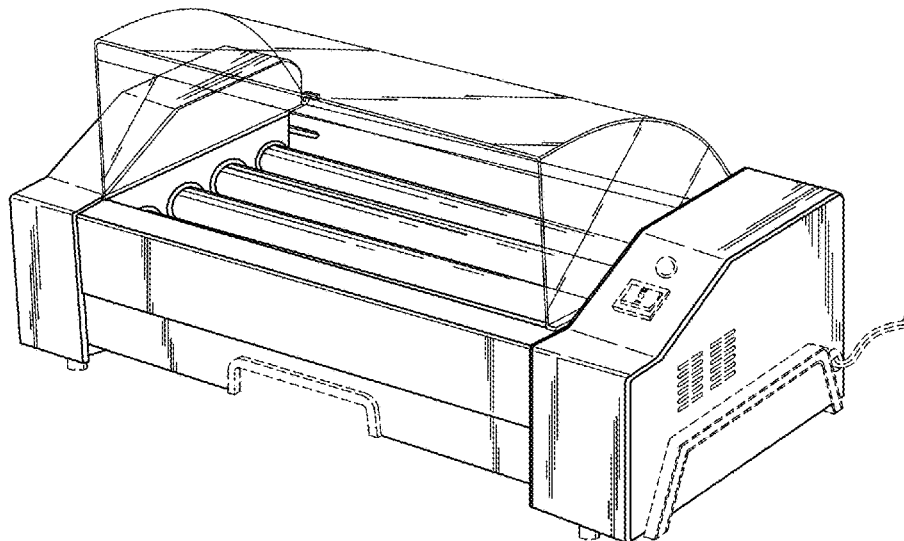
(57) **CLAIM**

The ornamental design for a hot dog griller, as shown and described.

DESCRIPTION

FIG. 1 is a front perspective view of the hot dog griller showing the present design.
 FIG. 2 is a top plan view thereof.
 FIG. 3 is a front view thereof.
 FIG. 4 is a rear view thereof.
 FIG. 5 is a left side view thereof.
 FIG. 6 is a right side view thereof.
 FIG. 7 is a bottom plan view thereof.
 FIG. 8 is a perspective view of the hot dog griller, shown without the cover for clarity and completeness of illustration.
 FIG. 9 is a top plan view thereof.
 FIG. 10 is a front view thereof.
 FIG. 11 is a rear view thereof.
 FIG. 12 is a left side view thereof.
 FIG. 13 is a right side view thereof; and,
 FIG. 14 is a bottom plan view thereof.
 The portions of the design shown in broken lines being for the purpose of illustrating environment only and form no part of the claimed design.

1 Claim, 12 Drawing Sheets



(56)

References Cited

U.S. PATENT DOCUMENTS

2013/0224359	A1*	8/2013	Cretors	A47J 37/049 426/523
2014/0033929	A1*	2/2014	Humphrey	A47J 37/048 99/332

* cited by examiner

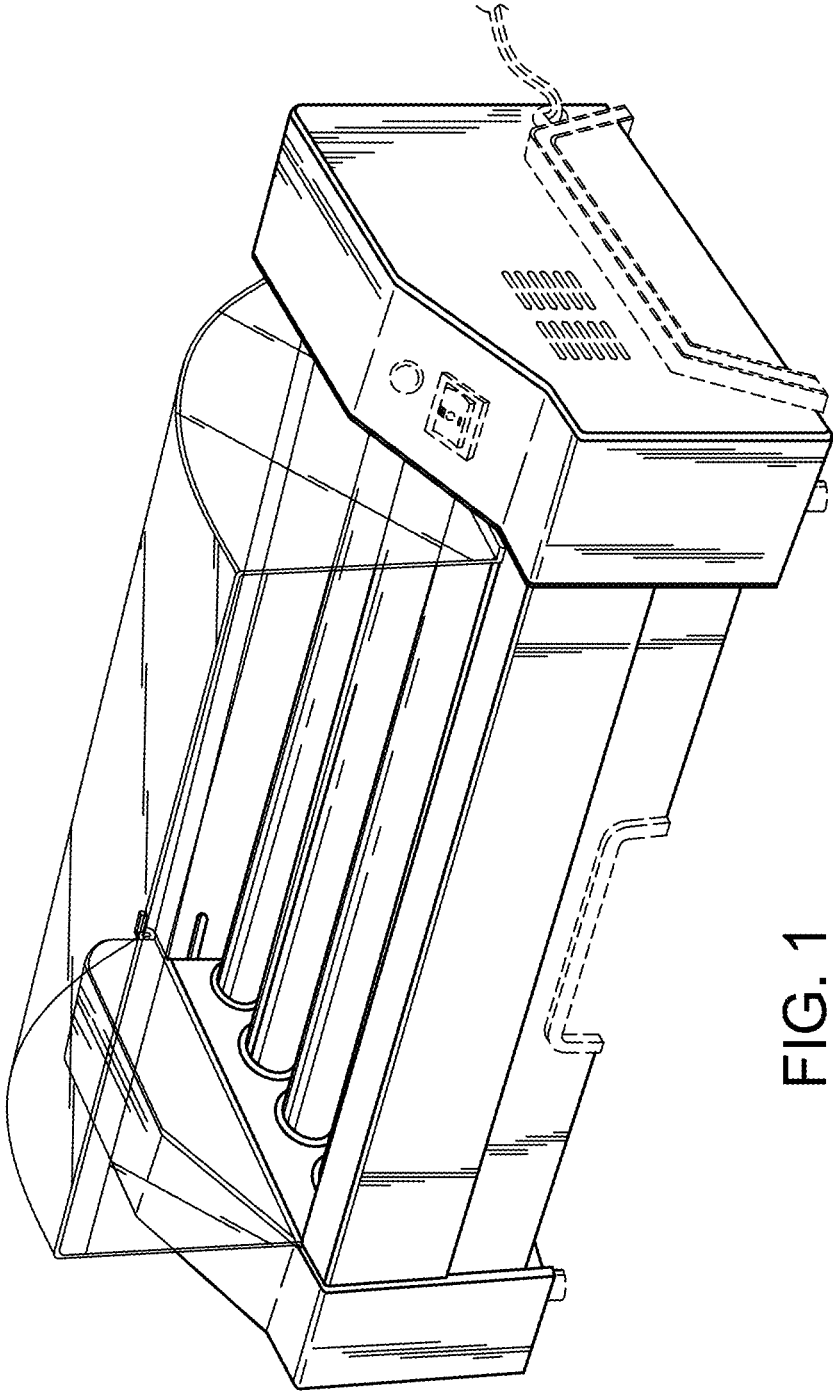


FIG. 1

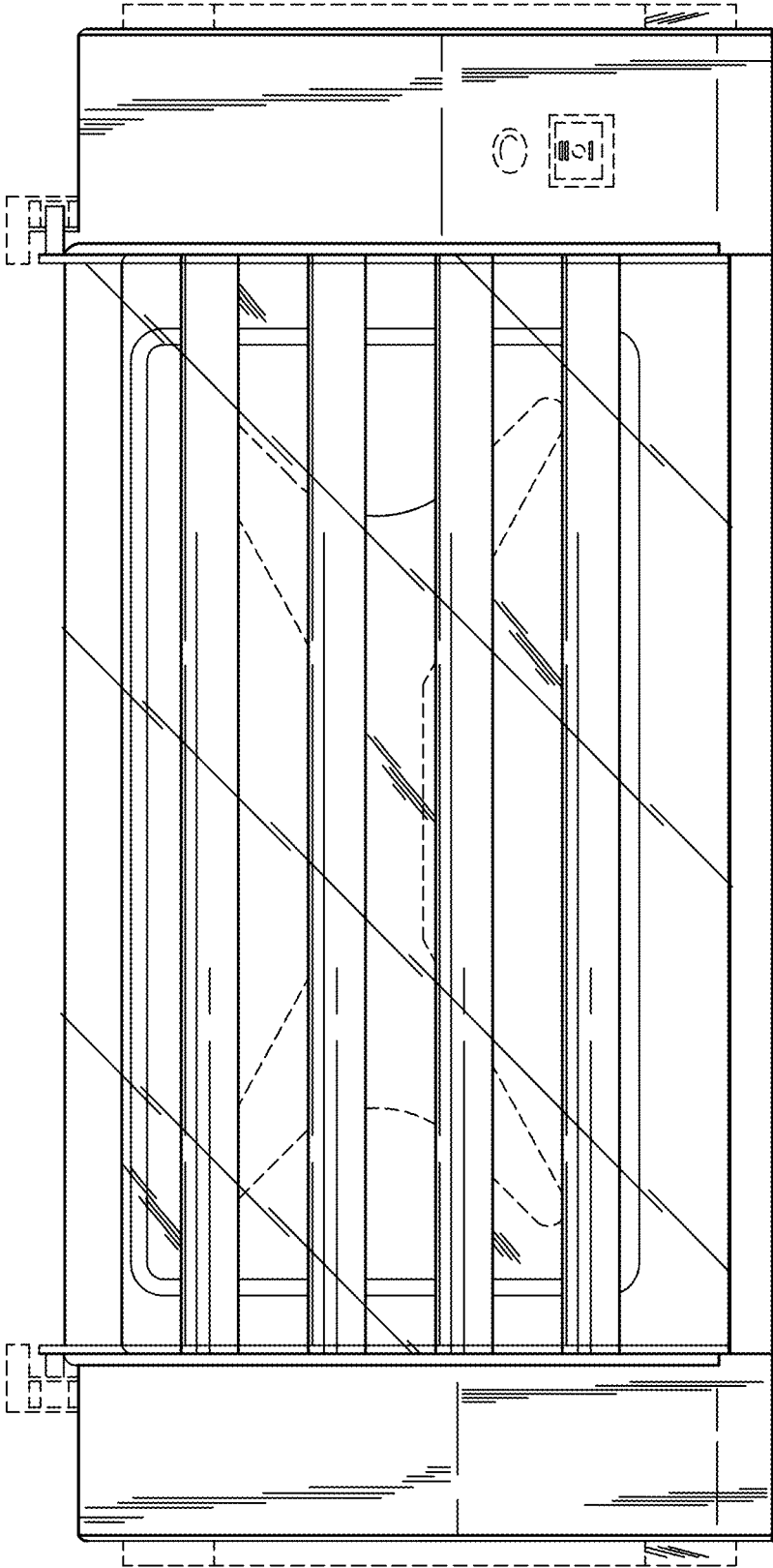


FIG. 2

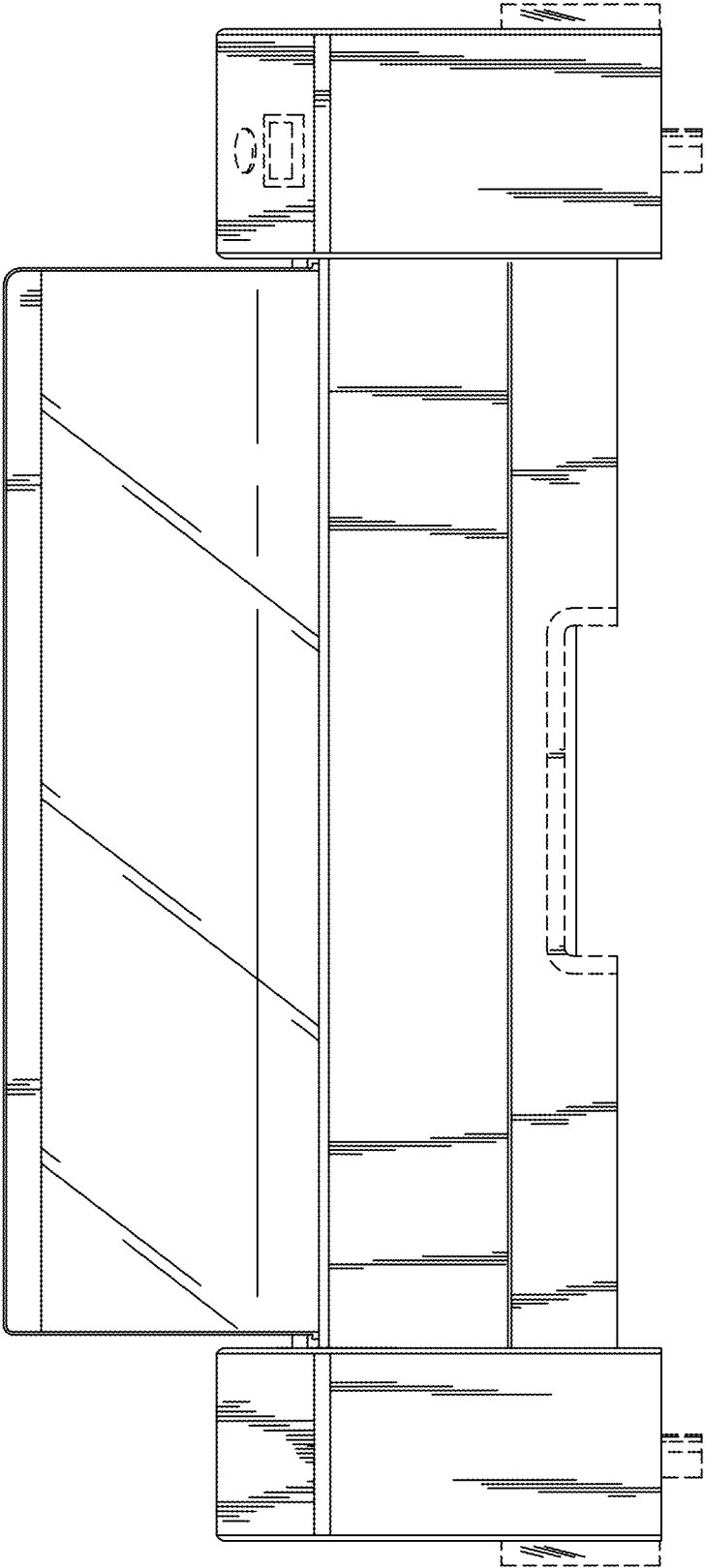


FIG. 3

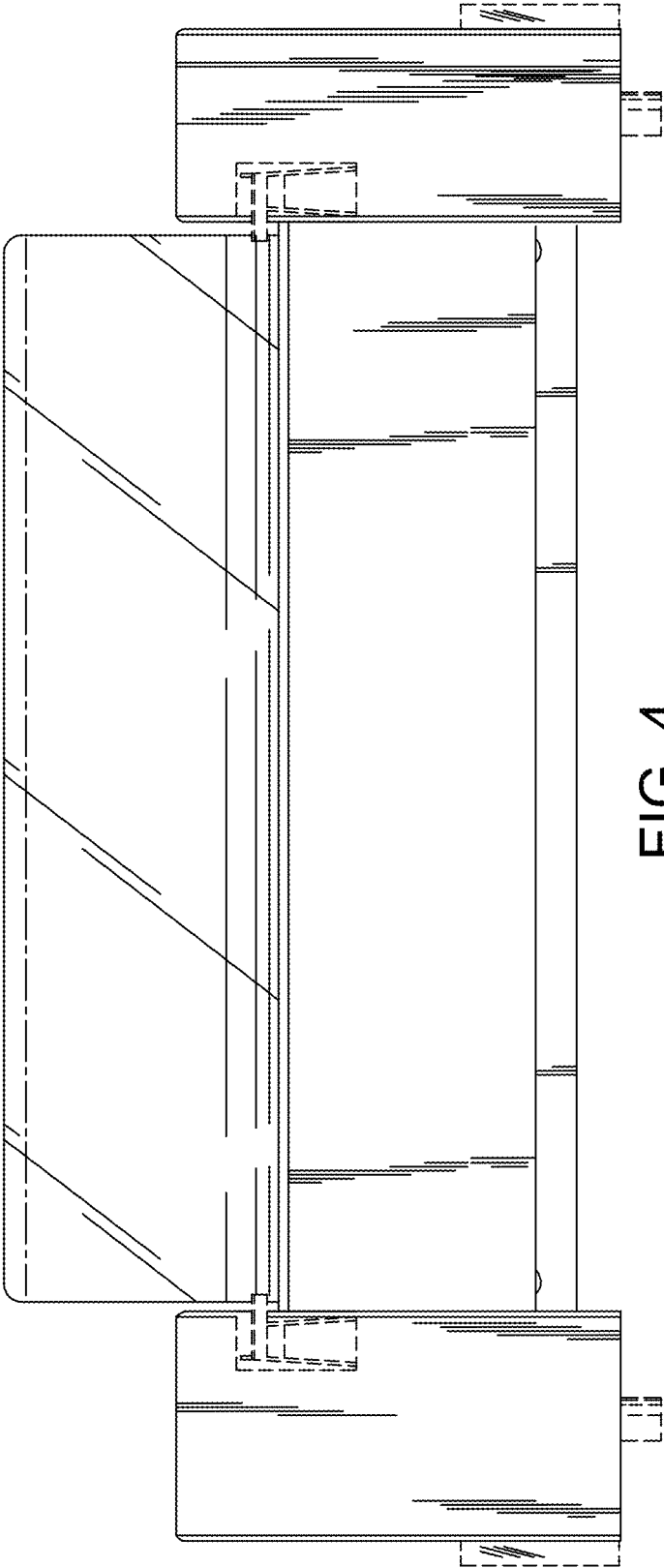


FIG. 4

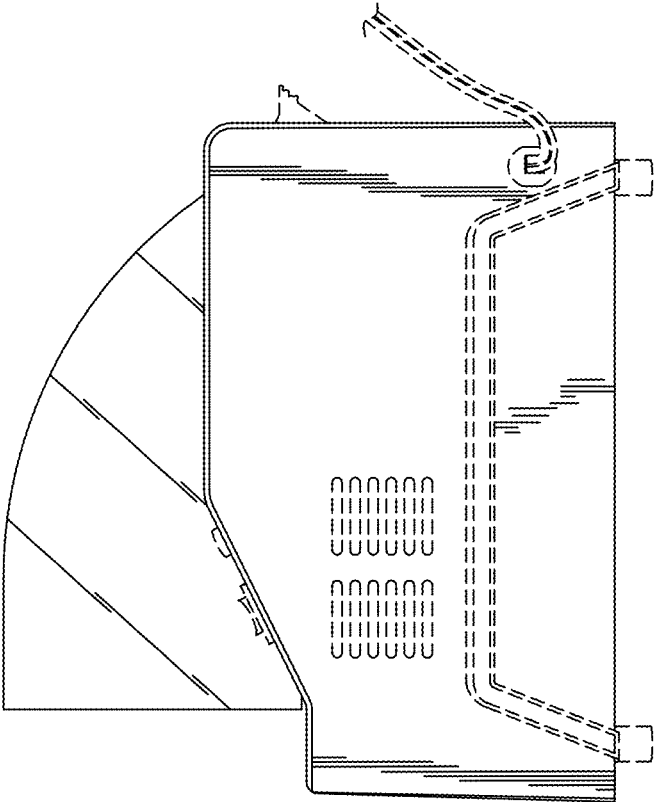


FIG. 6

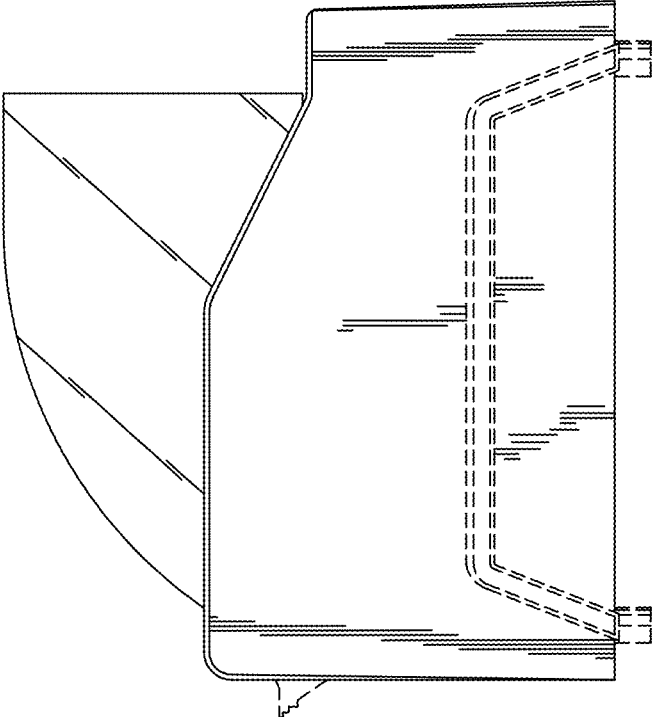


FIG. 5

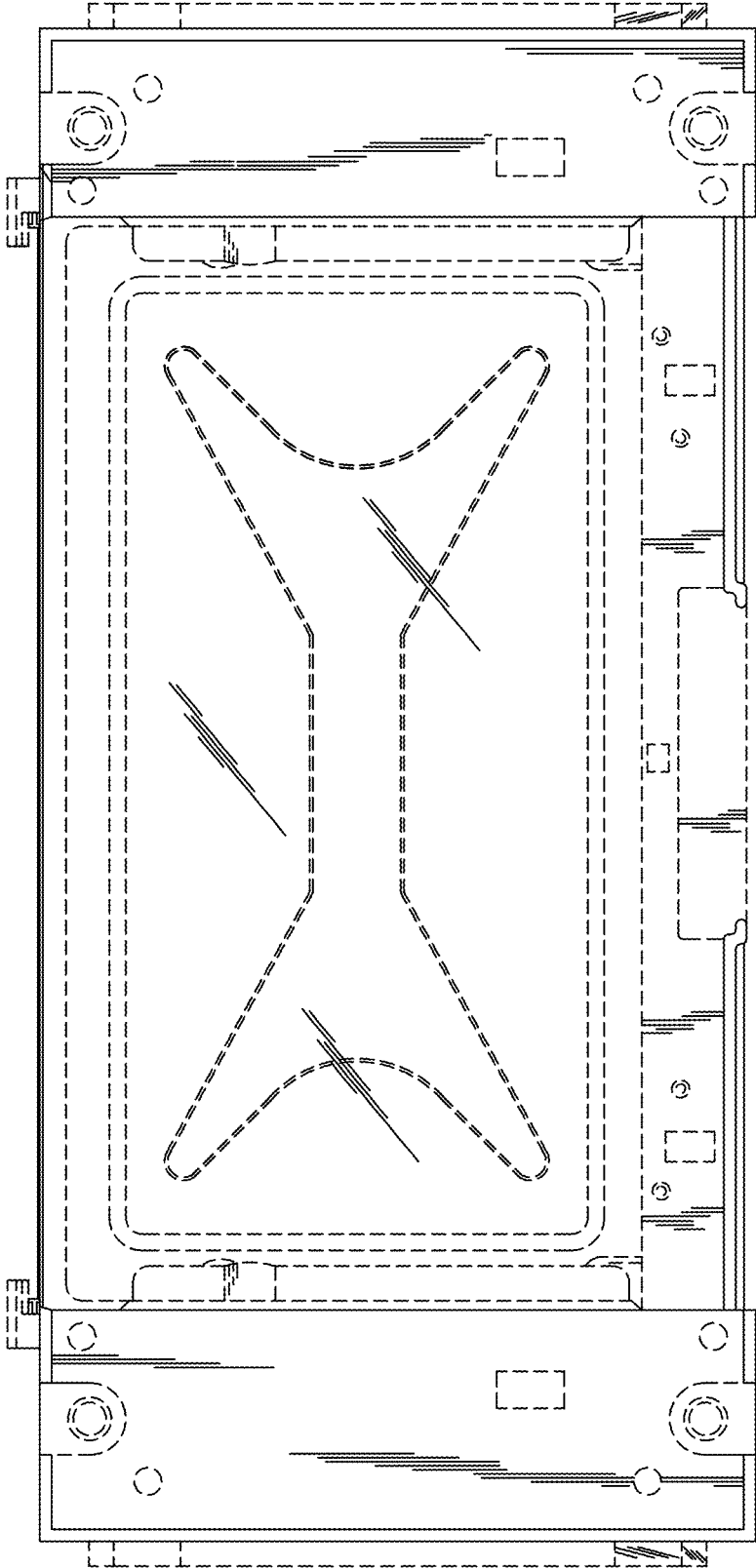


FIG. 7

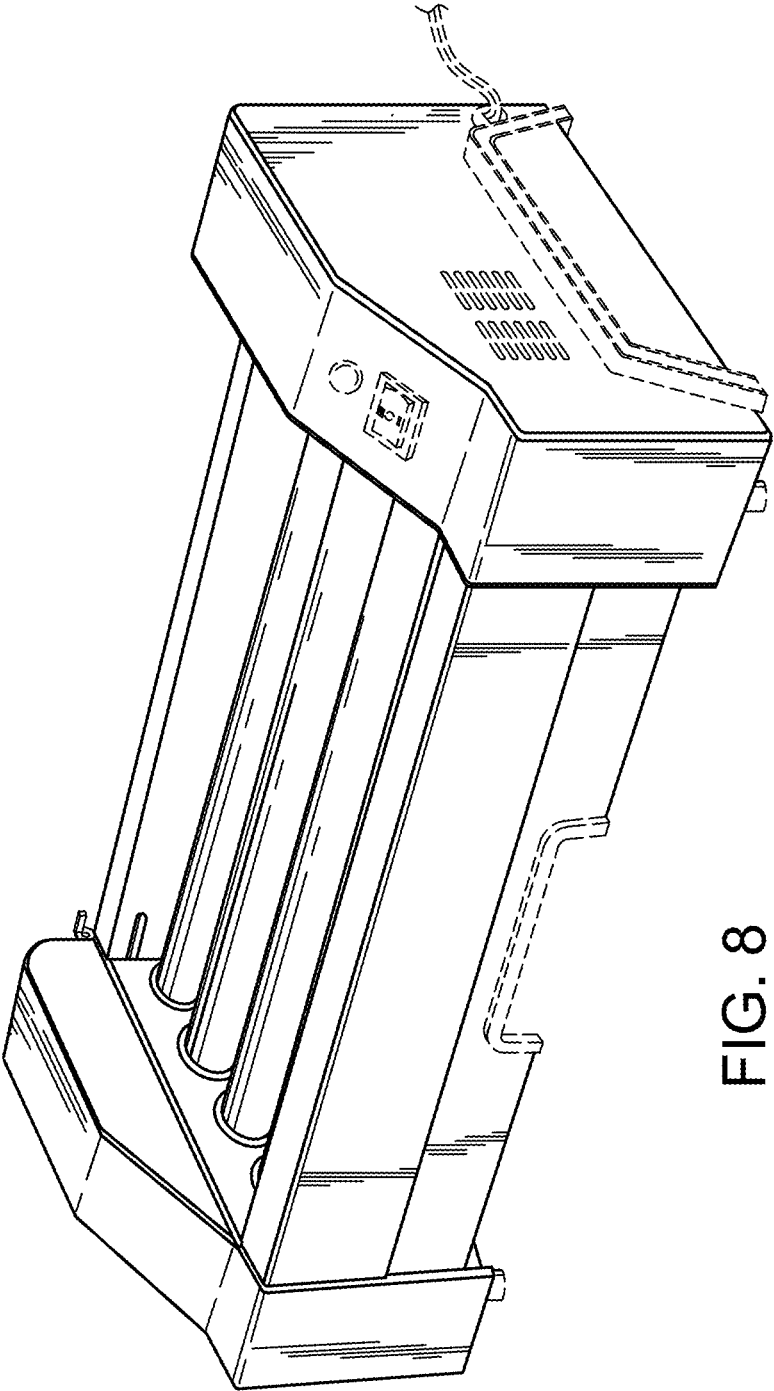


FIG. 8

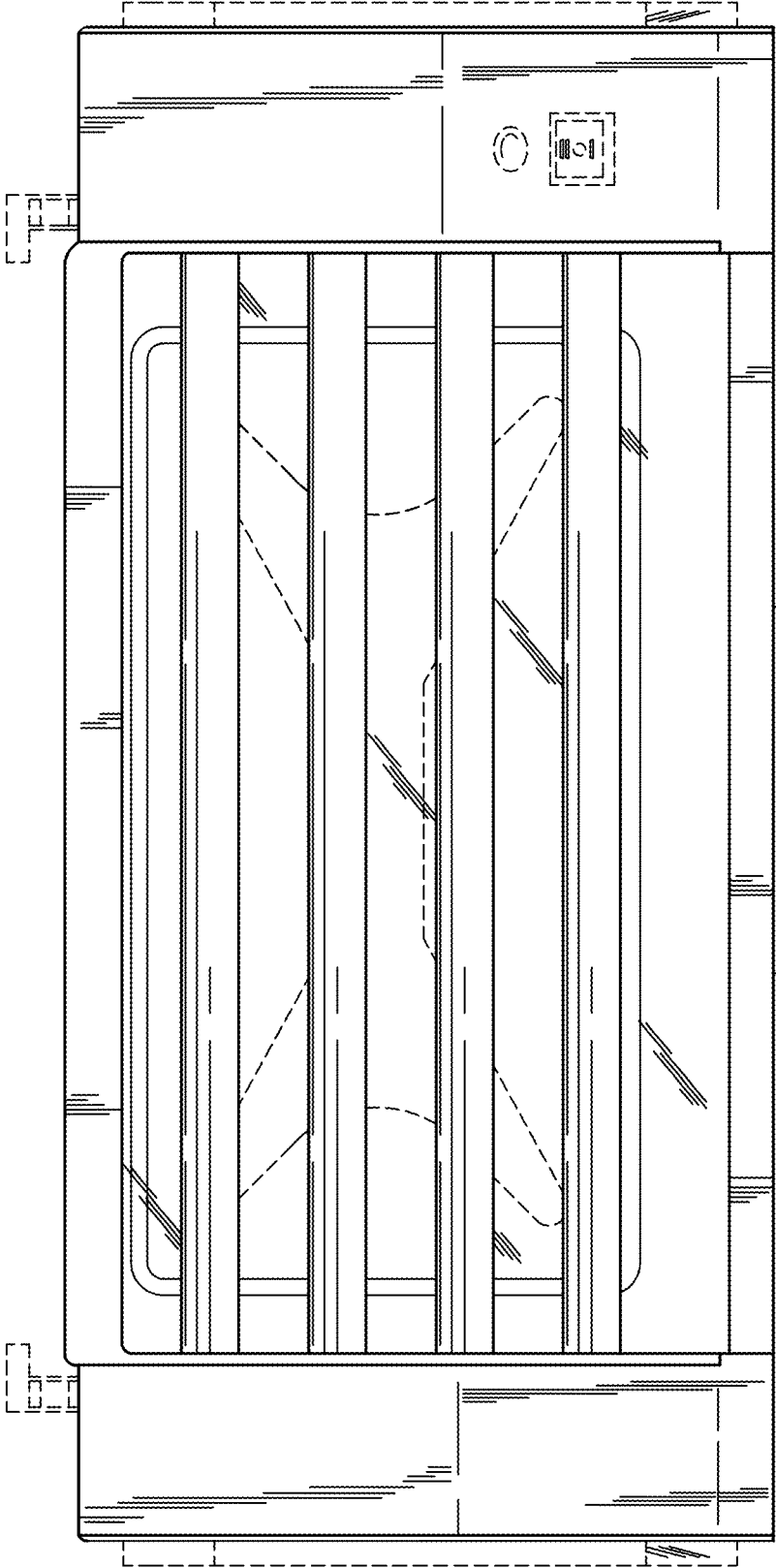


FIG. 9

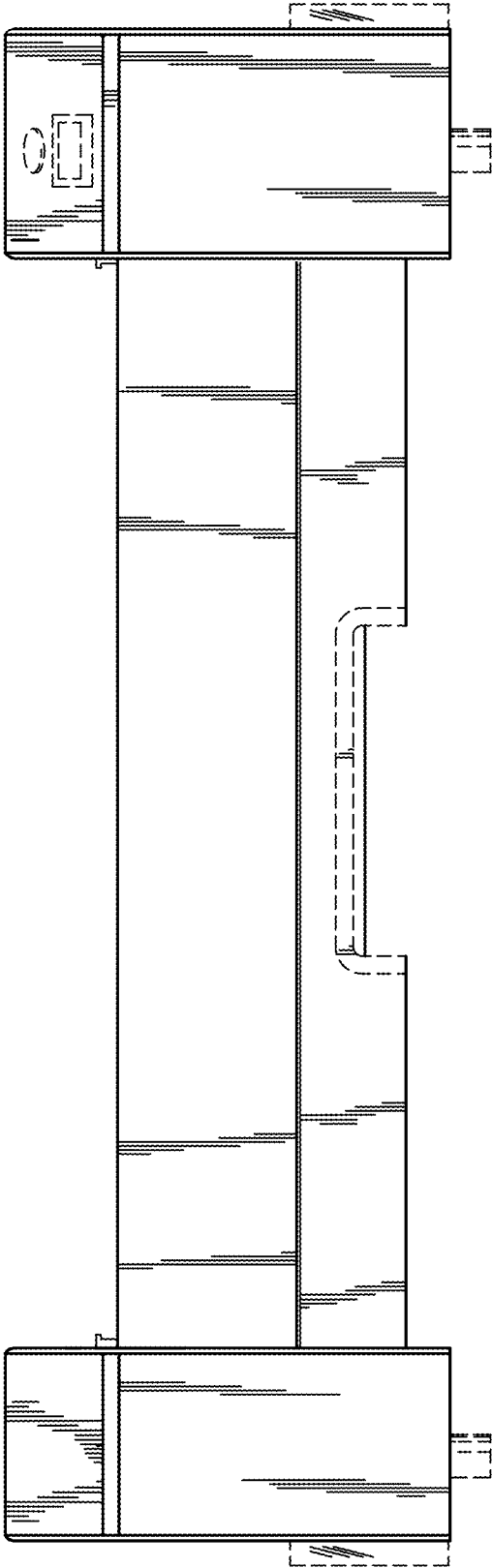


FIG. 10

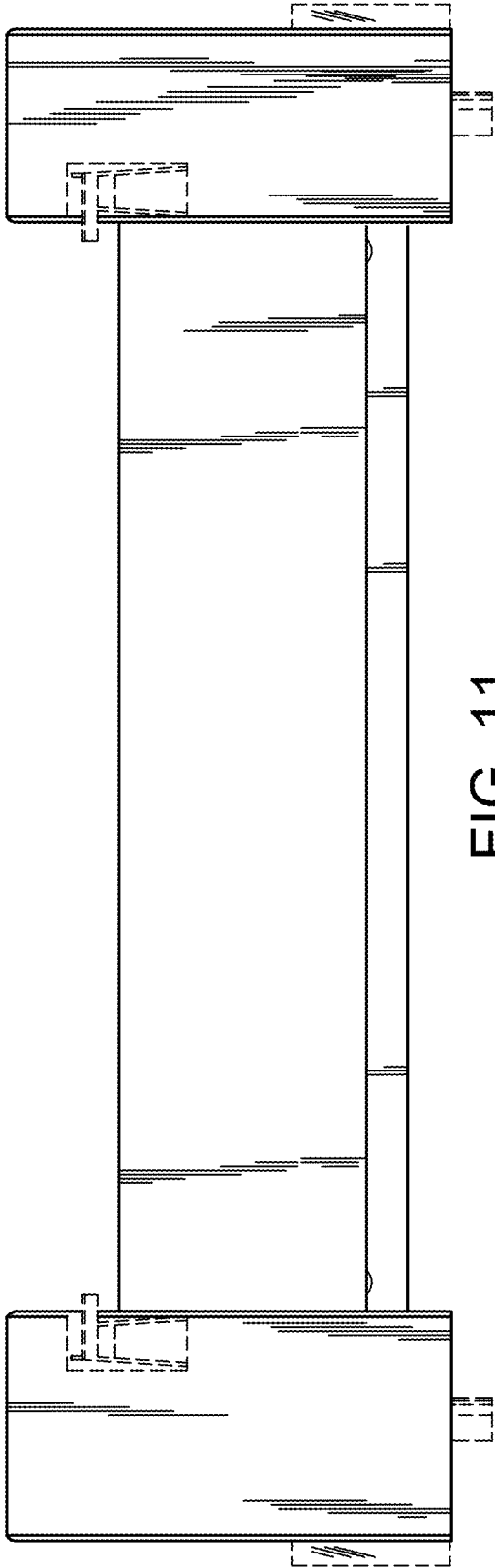


FIG. 11

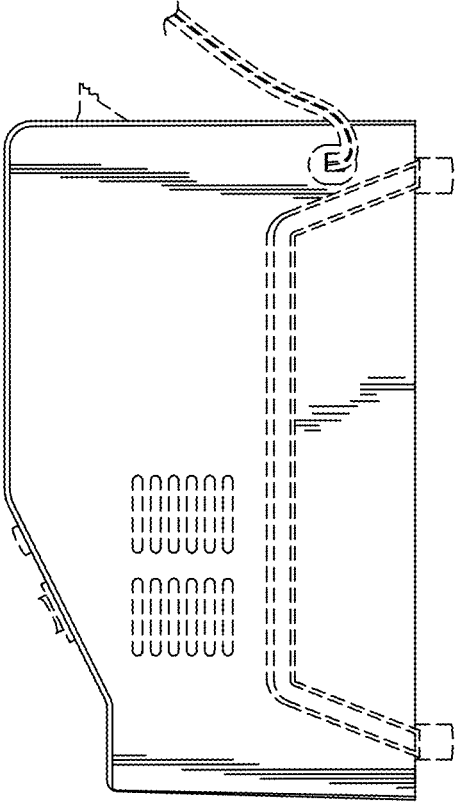


FIG. 13

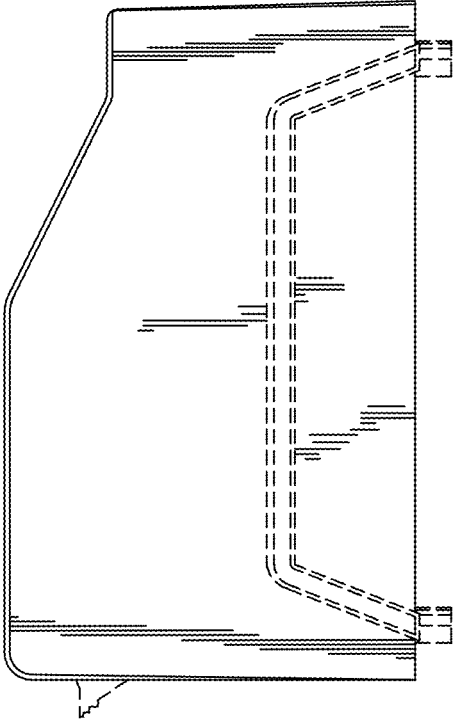


FIG. 12

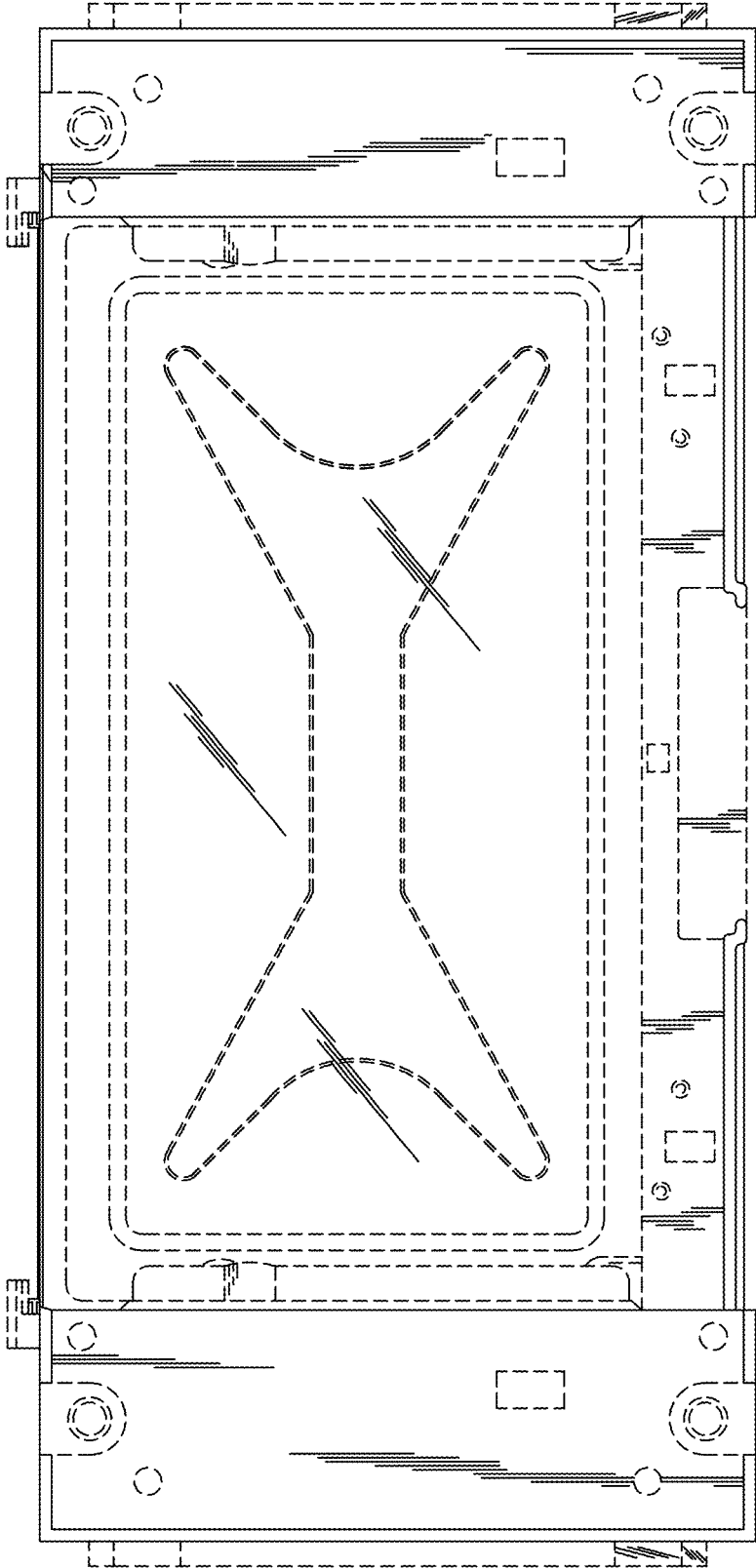


FIG. 14