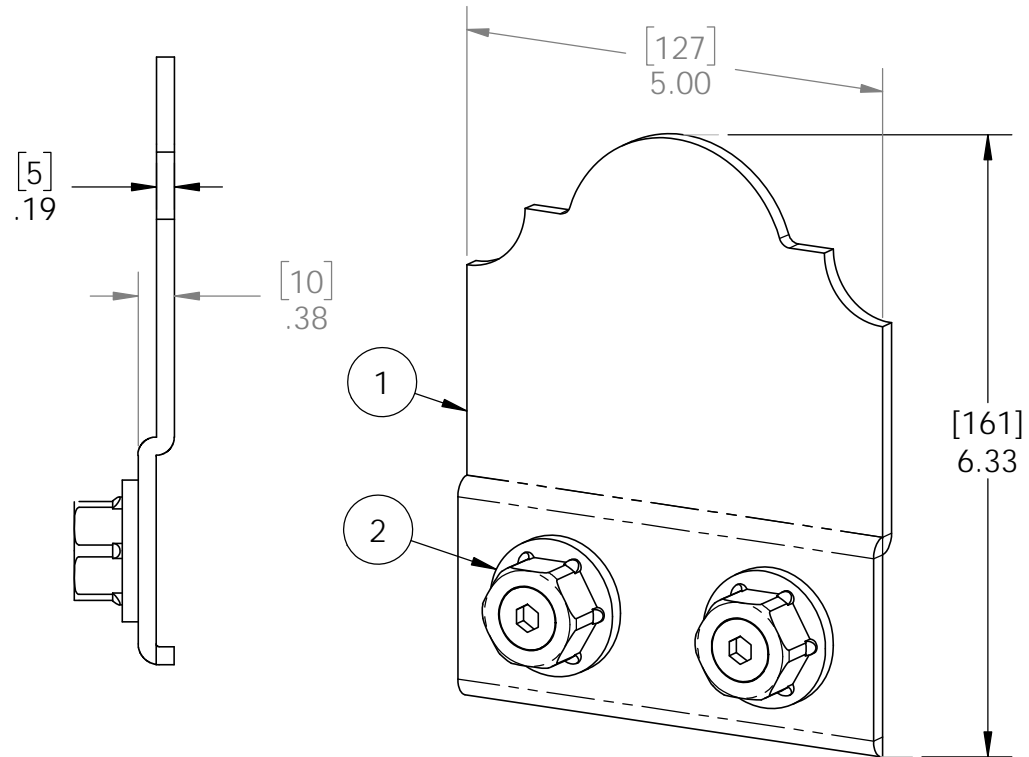
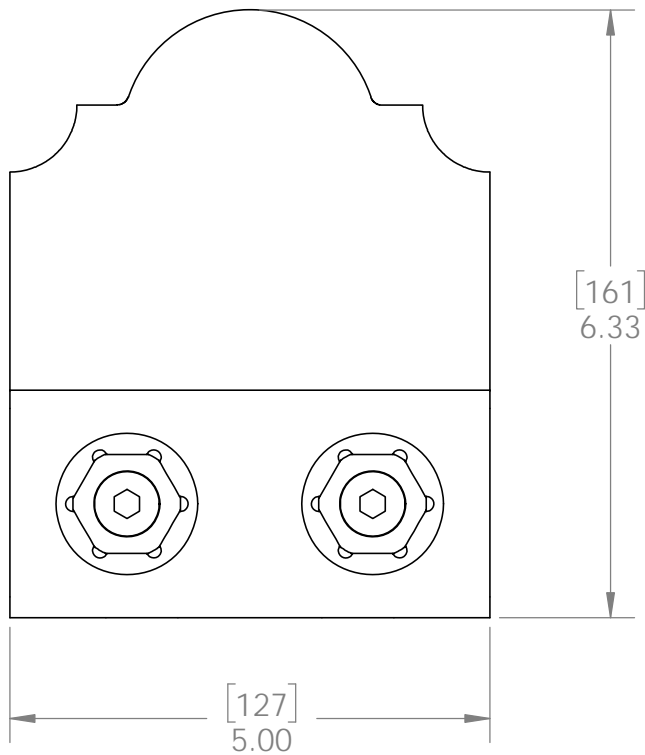


# Product & Packaging Specs

## Truss Accent (TA-LS)

Item #: 56611

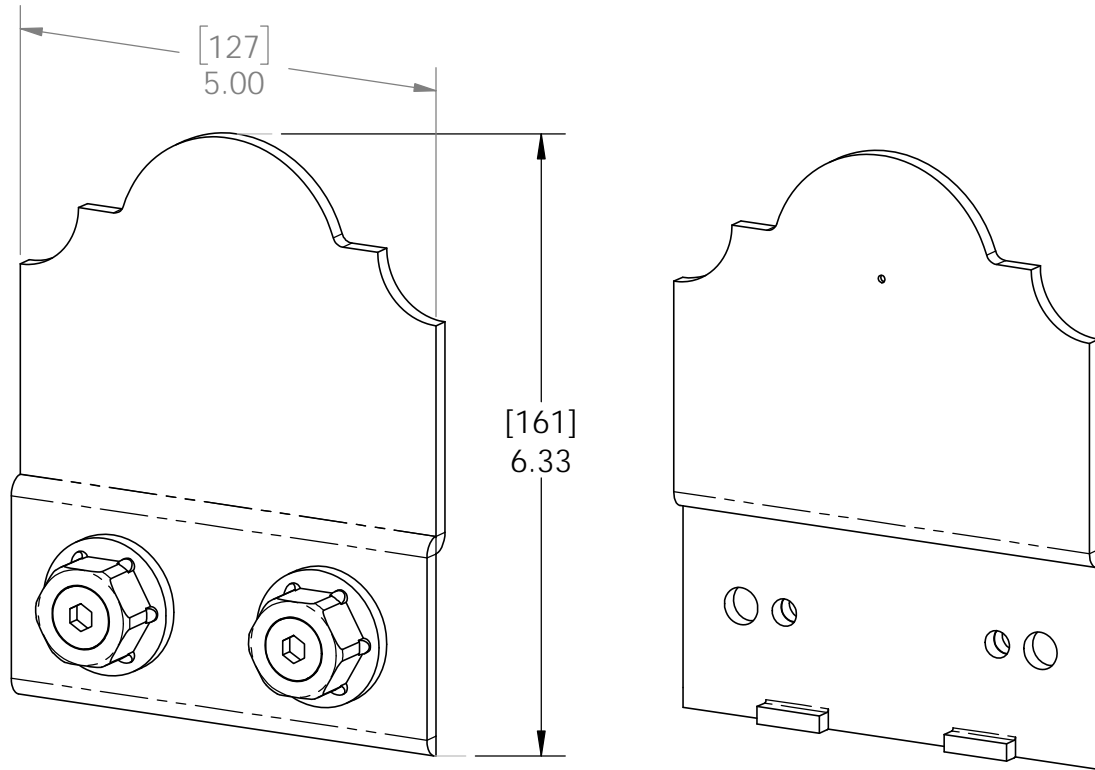
ITEM NO.	QTY.	PART NUMBER	DESCRIPTION
1	1	56611-10	Truss Accent
2	0.2	56621	1 1/2" Hex Cap Nut (HCN)



each kit contains 2 assemblies

Weight: 1.61 LBS  
 Scale: 1:2  
 Last updated: 10/10/2016

56611-10



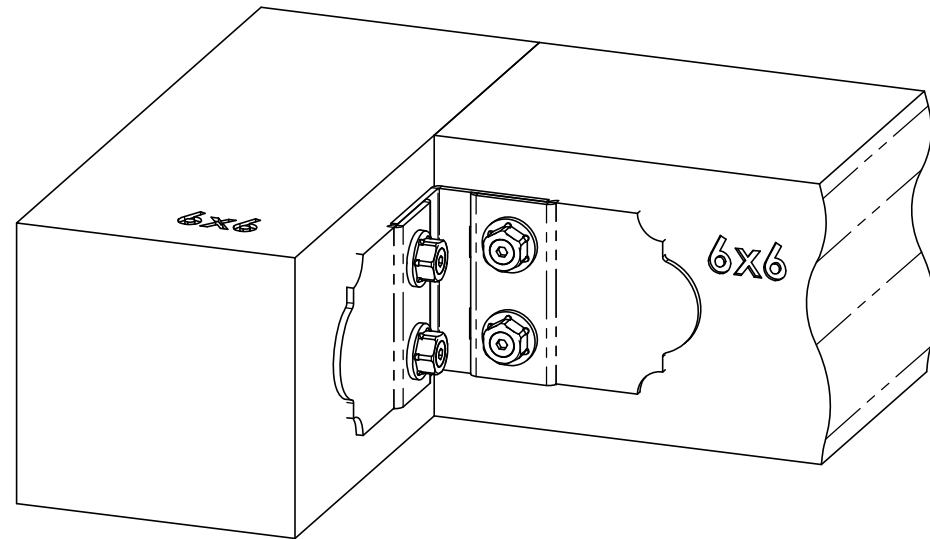
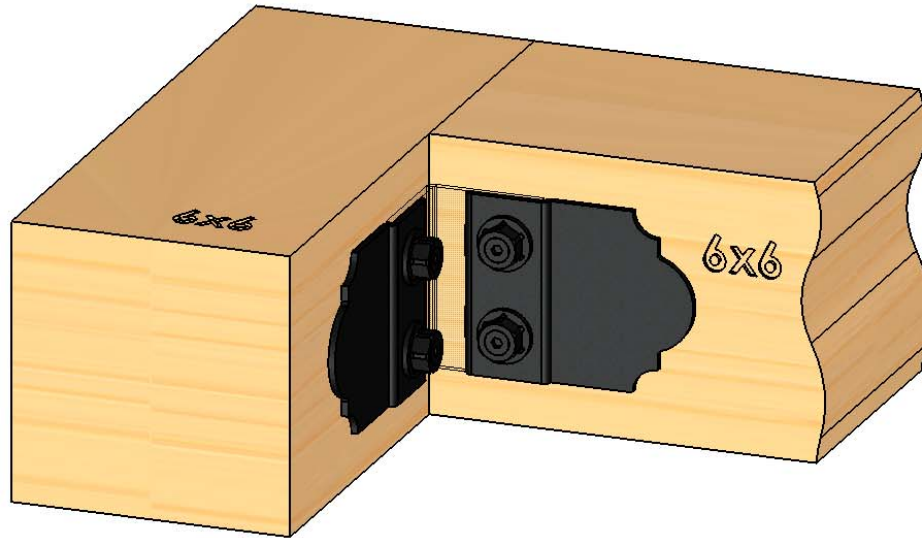
Weight: 1.61 LBS  
Scale: 1:2  
Last updated: 10/10/2016

56611-10

# Product & Packaging Specs

## Truss Accent (TA-LS)

Item #: Typical Installation & Basic Assembly



Weight: 1.61 LBS  
Scale: 1:5  
Last updated: 10/10/2016

56611-10

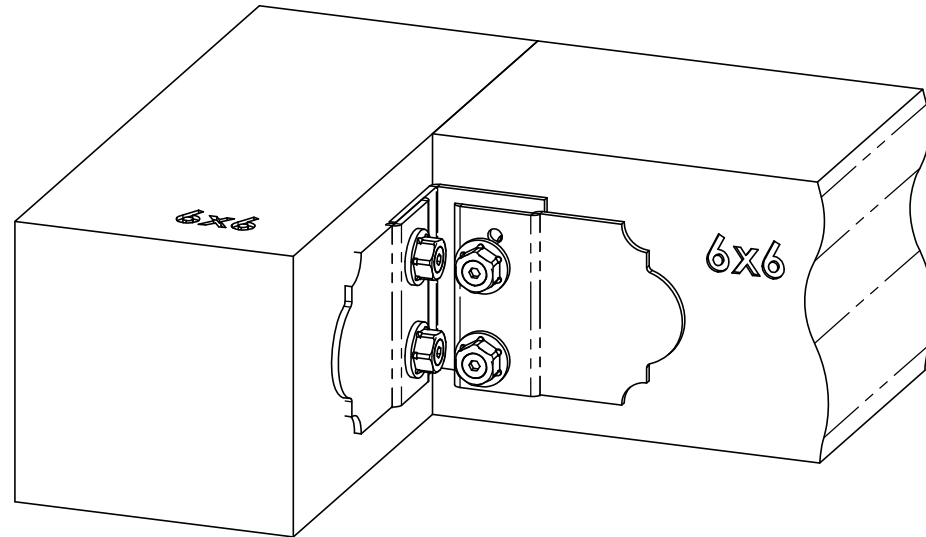
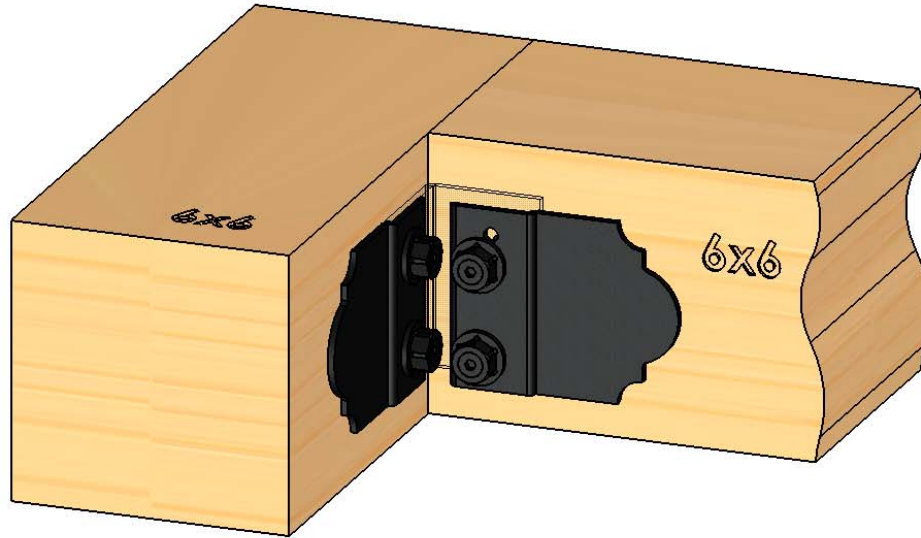


OZCO BUILDING PRODUCTS

# Product & Packaging Specs

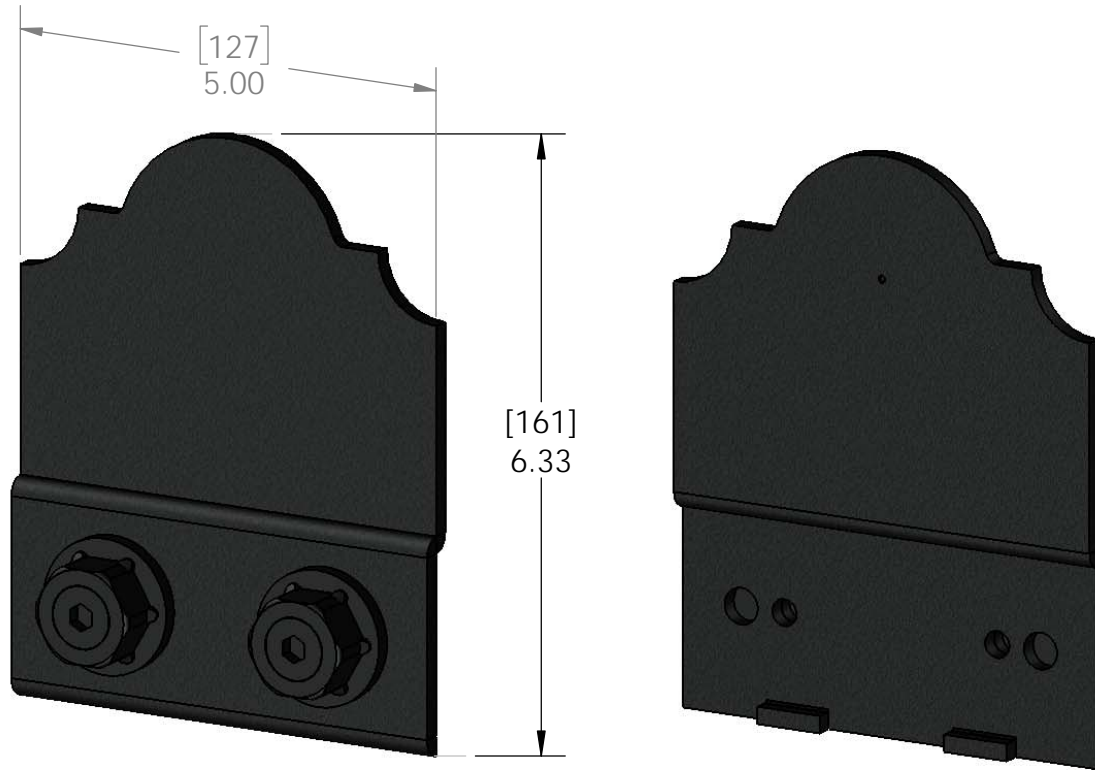
## Truss Accent (TA-LS)

Item #: Typical Installation & Basic Assembly



Weight: 1.61 LBS  
Scale: 1:5  
Last updated: 10/10/2016

56611-10



Weight: 1.61 LBS  
Scale: 1:2  
Last updated: 10/10/2016

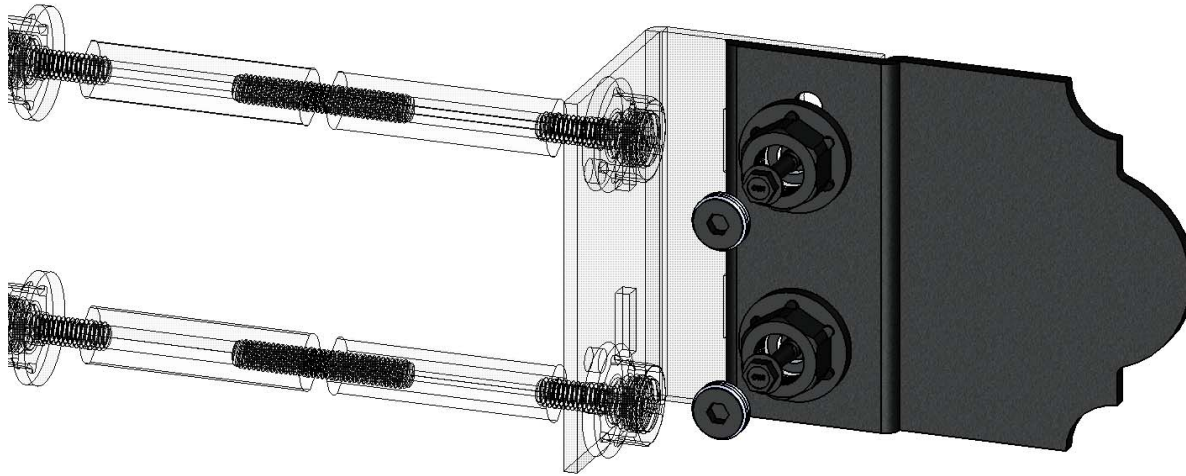
56611-10



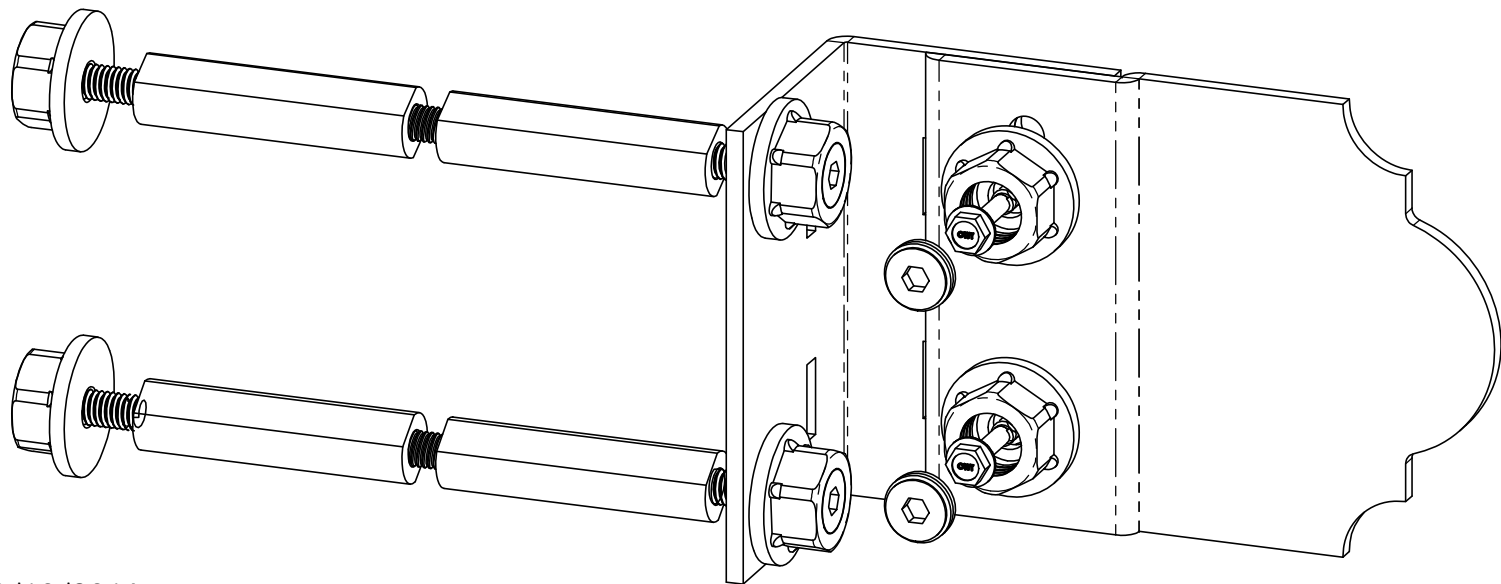
# Product & Packaging Specs

## Truss Accent (TA-LS)

Item #: Typical Installation & Basic Assembly



**TIMBER BOLTS &/OR SCREWS SOLD SEPARATELY**



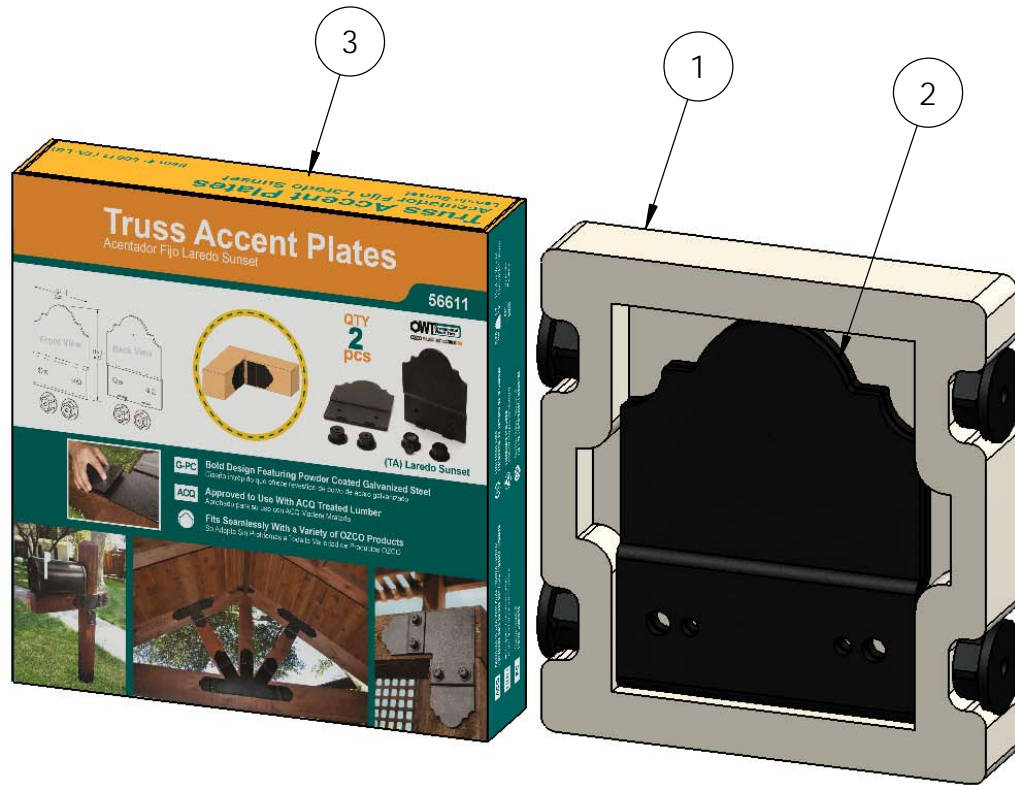
Weight: 1.61 LBS  
Scale: 1:2  
Last updated: 10/10/2016

56611-10

# Product & Packaging Specs

## 56611 Packing

Item #: Box packing



ITEM NO.	QTY.	PART NUMBER	DESCRIPTION
1	1	56611 Truss Accent Box Insert	Insert, Truss Accent Box
2	1	56611	Truss Accent (TA-LS)
3	1	Box, 56611	Box, 56611

- items not shown:
- installation instructions
  - parts wrapped in packing foam sheet

Weight: 3.54 LBS  
 Scale: 1:3  
 Last updated: 10/10/2016

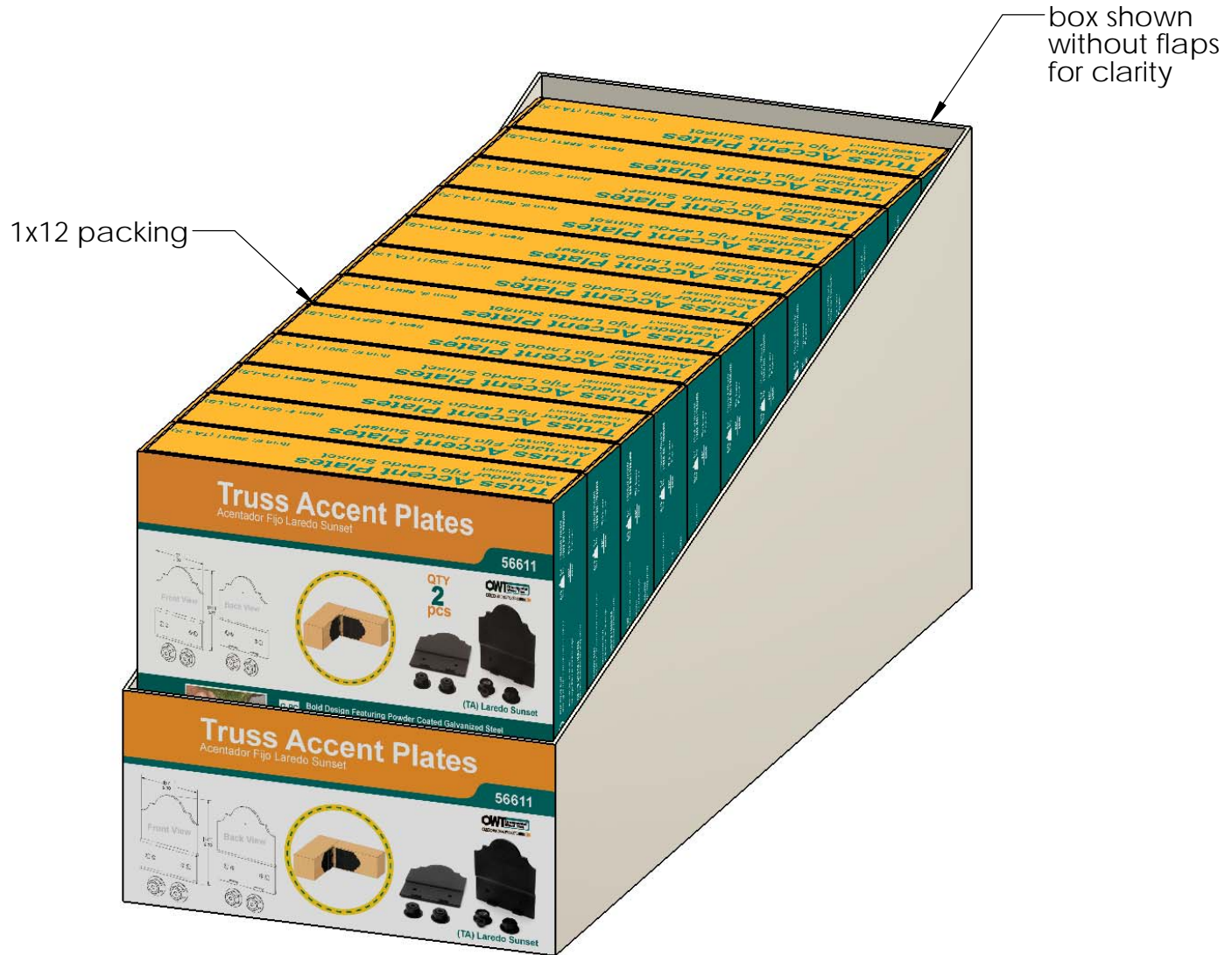
56611-10



# Product & Packaging Specs

56611 Packing

Item #: Case packing



Weight: 1.26 LBS  
 Scale: 1:3  
 Last updated: 10/10/2016

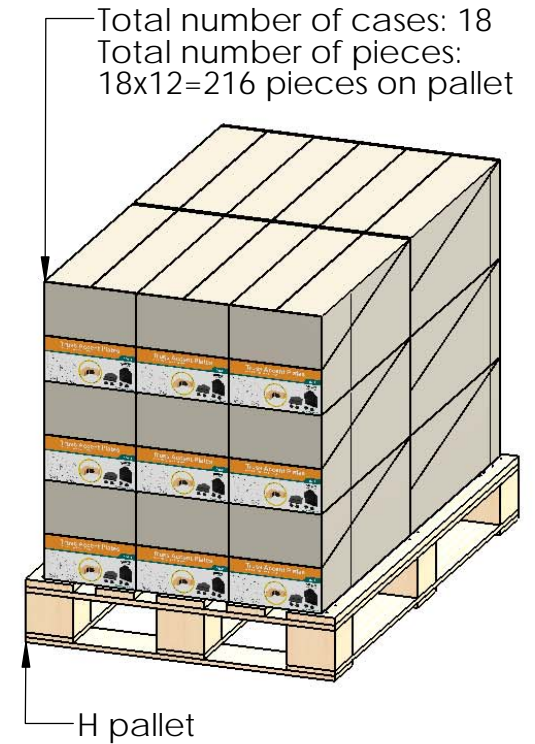
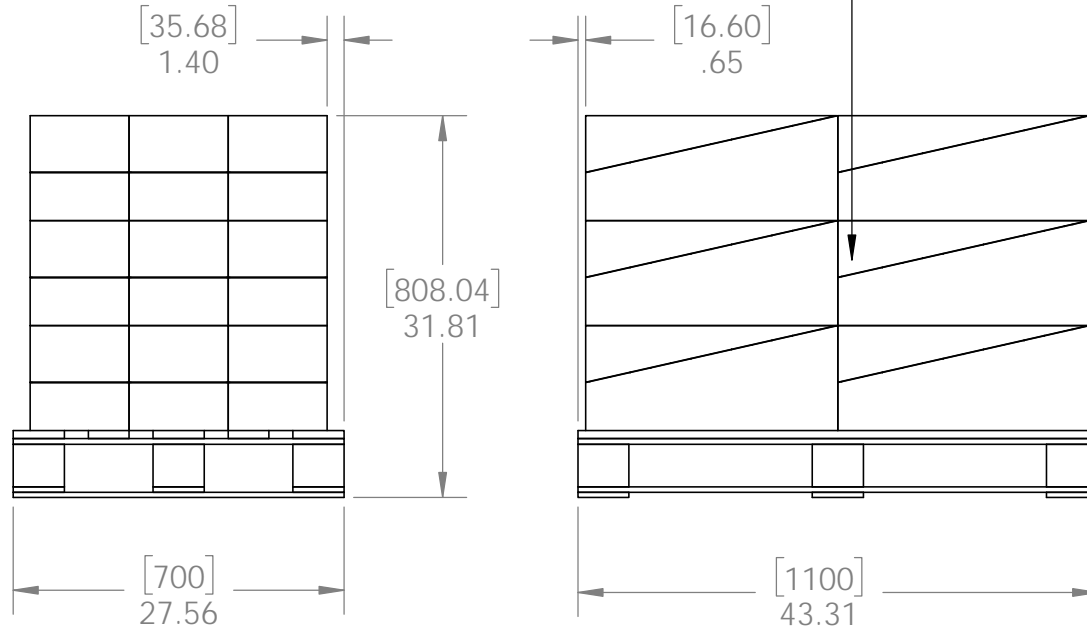
56611-10



# Product & Packaging Specs

56611 Packing  
 Item #: Pallet packing

Item #: **56611** | **TA-LS**  
 Truss Accent LS  
**PALLET 216 pcs**  
 SKU#: **56811**   
 Weight: **799** lbs  
 LOT# \_\_\_\_\_ Priority# \_\_\_\_\_ 



Weight: 799 LBS  
 Scale: 1:16  
 Last updated: 10/10/2016

56611-10

additional pallet packing instructions

- plywood on top layer
- strap to pallet
- clear wrap around boxes