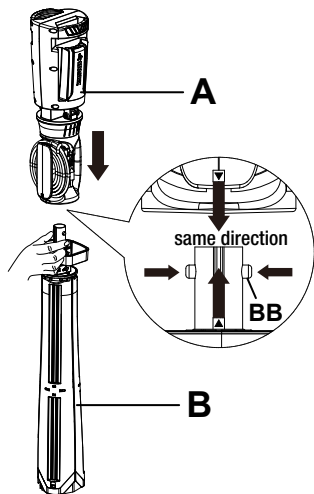


# Installation

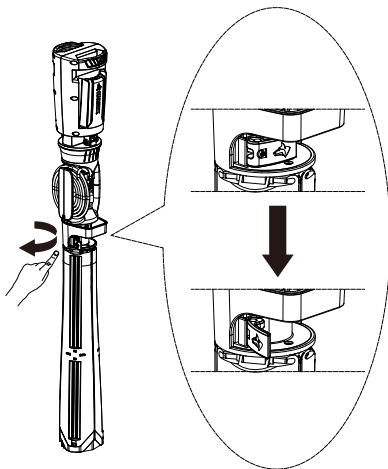
## 1 Assemble the work light

- Press and hold the spring buckle (BB) on the bracket and assemble the work light head (A) to the work light body (B) in the direction indicated by the arrow.



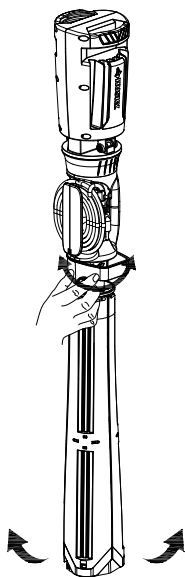
## 2 Release the tripod extension lock

- To deploy, release the tripod extension lock and lift the light head upward until all three legs release.



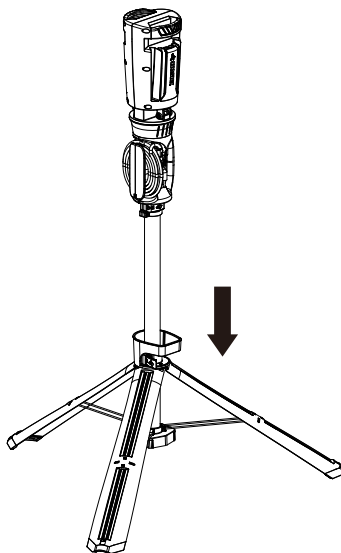
## 3 Open the tripod

- Shake the bracket to open the tripod.



## 4 Put the light on the ground

- Once all three legs are released, push the light downward until all three legs make contact with the ground.



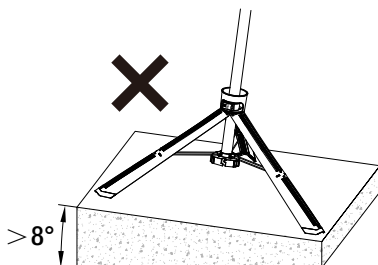
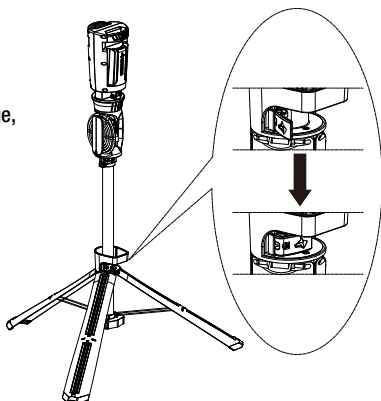
## Installation (continued)

### 5 Lock the extension lock

- Once all three legs have made contact with the ground, lock it. To return the legs to the folded position for storage, release the extension lock and pull it back to the original position.

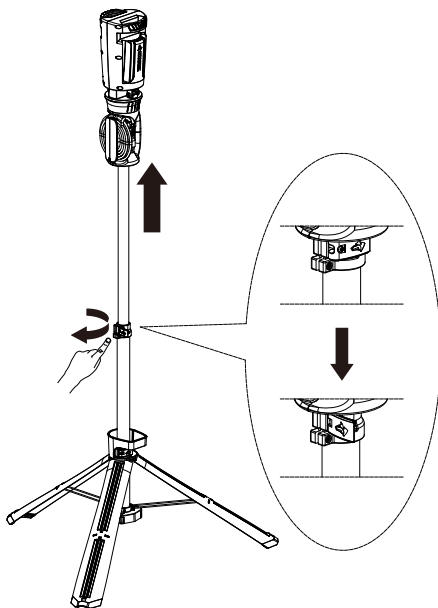


**NOTE:** Ensure the worklight is not placed on a surface with greater than 8° slope.



### 6 Raise the light head

- Release the top extension lock and raise the light head to the desired height, then lock the top extension lock.

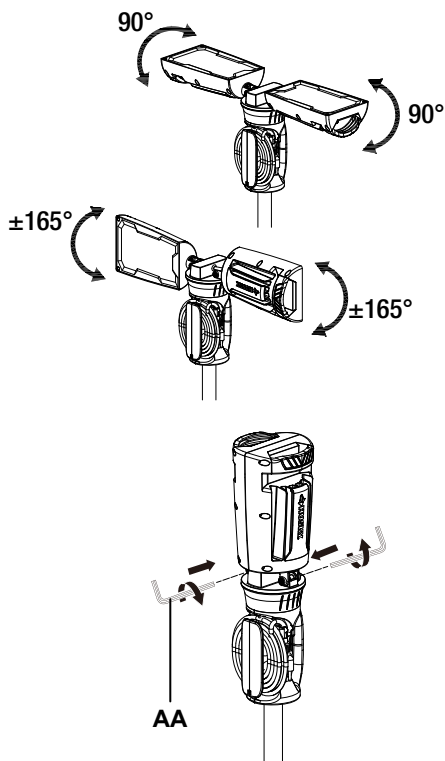


### 7 Adjust the light head

- Unfold the light head and adjust to the desired angle.

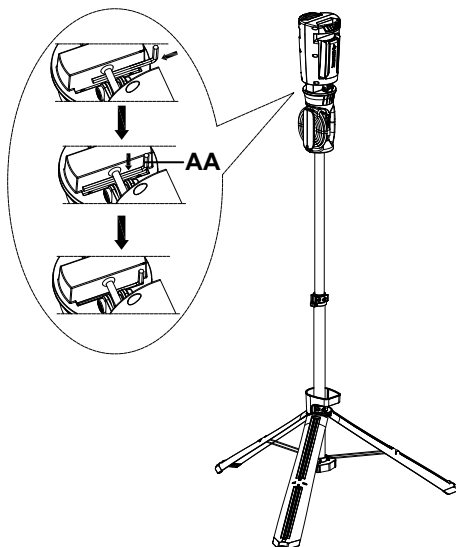


**NOTE:** If the light heads are either too loose or tight after adjustment, tighten the screw in the shaft as pictured with the wrench (AA) provided.



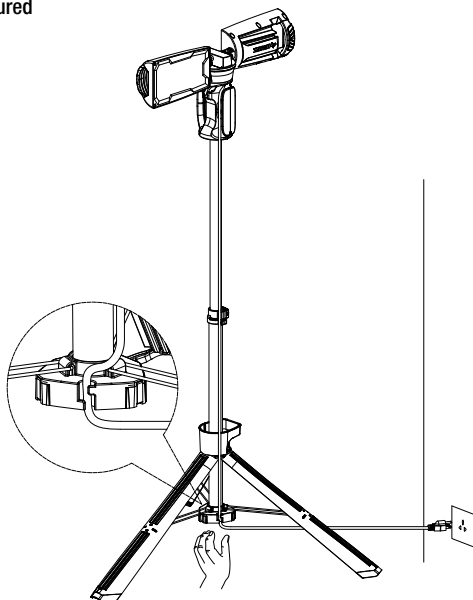
### 7 Store the wrench

- After using, store the wrench (AA) in the storage slot next to the light heads.



### 9 Plug the power cord into the outlet

- Place the power cord in the tripod slot as pictured and plug into the outlet.



### 10 Turn on the light

- Press the rocker switch.

