

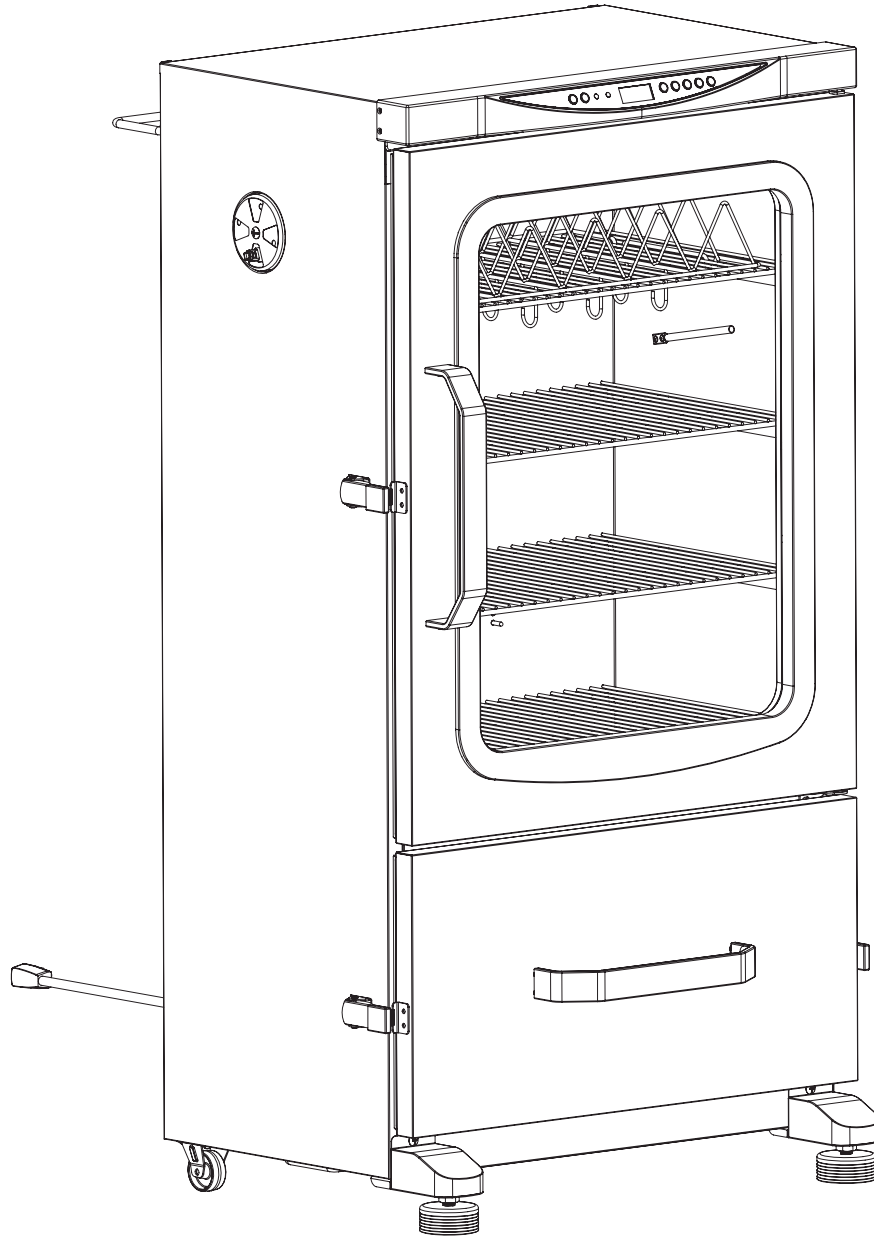


40" 2-Door Vertical Electric Digital Smoker

MODEL #DGU951SDE / DGU951SDE-D

Français p. 28

Español p. 55



**FOR OUTDOOR
USE ONLY**
Use only with Class A GFI
(Ground Fault Interrupter)

ATTACH YOUR RECEIPT HERE

Serial Number _____ Purchase Date _____



Questions, problems, missing parts? Before returning to your retailer, call our customer service department at 1-877-447-4768, 8:00 a.m. – 4:30 p.m. CST, Monday – Friday or e-mail us at customerservice@ghpgroupinc.com.



NO NEED TO RETURN TO THE STORE

Questions with The Assembly?
Require Parts Information?
Product Under Manufacturers Warranty?

Call Toll Free : 1-877-447-4768
8:00 a.m. – 4:30 pm CST, Monday – Friday

Retain This Owner's Manual And Proof Of Purchase For Future Reference

To help us help you

Fill in the information below:

Date of Purchase

Place of Purchase

Model Number

Product Serial No.

**MODEL NUMBER AND PRODUCT SERIAL NUMBER CAN BE FOUND ON
THE RATING LABEL OF YOUR SMOKER.**

TABLE OF CONTENTS

Safety Information	3
Package Contents	8
Hardware Contents	9
Preparation Before Assembly	9
Assembly Instructions	10
Operating Instructions	14
Tips On Smoking	20
Care and Maintenance	22
Troubleshooting	23
Replacement Parts List	25
Warranty	27

Assembler/Installer: This instruction manual contains important information necessary for the proper assembly and safe use of this appliance. Read and follow all warnings and instructions before assembling and using this appliance. **Leave these instructions with the consumer.**

Consumer/User: Follow all warnings and instructions when using this appliance.

SAVE THESE INSTRUCTIONS

SAFETY INFORMATION

Please read and understand this entire manual before attempting to assemble, operate or install the product. If you have any questions regarding the product, call our customer service department at 1-877-447-4768, 8:00 a.m.- 4:30 p.m. CST, Monday - Friday.

CAUTION

- When using electrical appliances, basic precautions should always be followed to reduce the risk of fire, electrical shock, and injury to persons.

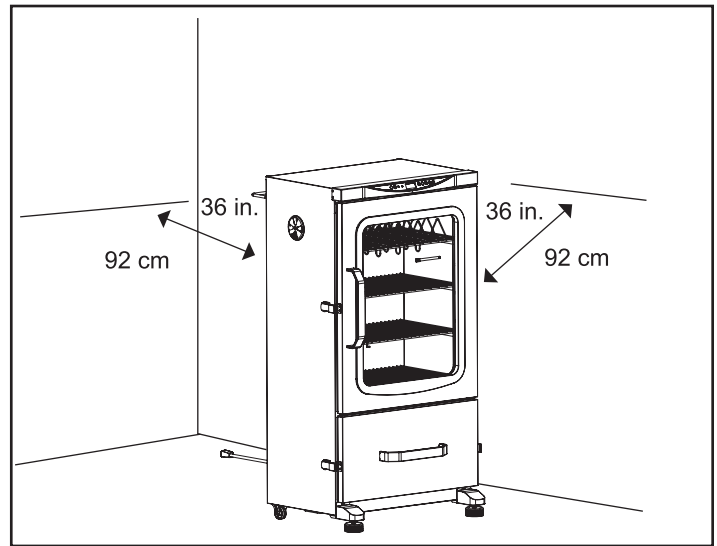
DANGER

- Failure to follow these instructions could result in fire or burn hazard which could cause property damage, personal injury or death.

IMPORTANT SAFEGUARDS

READ ALL INSTRUCTIONS, PRIOR TO USING THIS SMOKER

- **DO NOT** use this product for anything other than its intended purpose. It is **NOT** intended for commercial use. It is **NOT** intended to be installed or used in or on a recreational vehicle and/or boat.
- **DO NOT** operate this smoker with a damaged cord or plug or after the smoker malfunctions, has been dropped, or is damaged in any manner. If the supply cord is damaged, it must be replaced by the manufacturer, its service agent or similarly qualified person in order to avoid a hazard.
- **DO NOT** use smoker within 10 ft. (3 m) of a swimming pool, puddle, pond or other body of water.
- Keep smoker and electric controller dry and out of rain at all times.
- A minimum clearance of 36 in. (92 cm) to combustible material is required on the front, sides and back. It is very important to always maintain proper clearances to combustibles.
- When using flavoring wood, add a sufficient amount at the start of the cooking process, in order to avoid re-adding wood during the cooking process. Adding wood while operating may splash hot water and cause serious injury.
- Check the water level at least every 2 hours. A sizzling sound may indicate a low water level. Follow instructions in this manual for adding water while operating (see Page 18).
- **DO NOT** use the appliance during an electrical storm.
- The appliance is to be connected to a socket-outlet having an earthing contact.
- The appliance should be supplied through a residual current device (RCD) having a rated residual operating current not exceeding 30 mA. Use only with Class A GFI (Ground Fault Interrupter) protected circuit.
- Arrange the power cord away from traffic areas to ensure that it is not tripped over.
- To disconnect the smoker, turn the smoker off by pressing and holding the Power button (⏻), and remove the plug from the outlet.
- **DO NOT** obstruct the flow of ventilated air for the appliance.
- **DO NOT** use metal foil on the cooking grates. Doing so may result in damage to the smoker.
- **DO NOT** use this appliance as a heater.
- **DO NOT** use charcoal or similar combustible fuels with this appliance. This appliance is not designed for use with charcoal and a fire will result if charcoal is used during operation. The fire will create an unsafe condition and damage the smoker.
- Use caution when opening the upper door and lower drawer of the smoker while in operation. Keep hands, face and body safe from hot steam or flare-ups. **DO NOT** inhale smoke.
- If you must dispose of ashes in less time than it takes for the ashes to completely cool down, then remove the ashes from the appliance using insulated oven mitts or gloves and completely soak the ashes with water before disposing of them in a noncombustible container.



SAFETY INFORMATION

- **DO NOT** wear loose clothing while operating the smoker. Tie back long hair while operating the smoker.
- **ALWAYS** wear shoes that fully cover your feet while operating the smoker.
- **DO NOT** touch hot surfaces. Use handles or knobs.
- To protect against electrical shock do not immerse cord or plugs in water or other liquid.
- This appliance is not intended for use by persons (including children) with reduced physical, sensory or mental capabilities, or lack of experience and knowledge, unless they have been given supervision or instruction concerning use of the appliance by a person responsible for their safety.
- Unplug from outlet when not in use and before cleaning. Allow to cool before putting on or taking off parts.
- **DO NOT** operate any appliance with a damaged cord or plug or after the appliance malfunctions or has been damaged in any manner.
- The use of accessory attachments not recommended by the appliance manufacturer may cause injuries.
- **DO NOT** use indoors.
- **DO NOT** let cord hang over edge of table or counter, or touch hot surfaces.
- Do not place on or near a hot gas or electric burner, or in a heated oven.
- Extreme caution must be used when moving an appliance containing hot oil or other hot liquids.
- Always attach plug to appliance first, then plug cord into the wall outlet. To disconnect, turn any control to “OFF”, then remove plug from wall outlet.
- **DO NOT** use appliance for other than intended use.
- Use extreme caution when removing trays or disposing of hot grease.
- **DO NOT** clean with metal scouring pads. Pieces can break off the pad and touch electrical parts, creating a risk of electric shock.
- Fuel, such as charcoal briquettes, is not to be used with appliance.
- Use only on properly grounded outlet.
- Be sure that handles are assembled and fastened properly. See instructions regarding handles on Page 10-11.
- **SAVE THESE INSTRUCTIONS.**

WARNING

- **DO NOT** use 16 or 18 gauge extension cords. Damage to household wiring and/or fire could result.

THE USE OF AN EXTENSION CORD IS NOT RECOMMENDED.

READ ALL INSTRUCTIONS PRIOR TO USING AN EXTENSION CORD WITH THIS SMOKER

- Use only **OUTDOOR** type with 3 prong grounding plug, rated for 15 amperes or more, approved by UL, marked with a W-A and a tag stating “Suitable for Use with Outdoor Appliance”.
- Use the shortest length extension cord required. Do not connect 2 or more extension cords together.
- Do not let cord hang over edge of table top or other items where it can be pulled by children or tripped over.

SAFETY INFORMATION

Ground Fault Interrupter

- Since 1971, the National Electric Code (NEC) has required Ground Fault Interrupter devices on all outdoor circuits.
- If your residence was built before 1971, check with a qualified electrician to determine if a Ground Fault Interrupter protector exists.
- Do not use this appliance if the circuit does not have Class A GFI protection.
- Do not plug this appliance into an indoor circuit.

GENERAL SAFETY

READ ALL INSTRUCTIONS PRIOR TO USING THIS SMOKER

- This appliance is for outdoor use only in well-ventilated areas. **DO NOT** operate it under a roof, in a building, garage or any other enclosed area, or under overhead construction.
- Before each use, check that no dead leaves or debris are under the appliance.
- Keep a fire extinguisher near this product at all times.
- Always unplug the smoker when not in use.
- Allow the smoker and its components to cool completely before conducting any routine cleaning or maintenance.
- **DO NOT** use water or other liquid spray to clean the smoker without first unplugging the unit.
- Allow the smoker to cool to 115°F (45°C) before moving or storing. Use caution when lifting and moving the appliance to avoid back strain or back injury.
- **DO NOT** move the appliance while it is in use.
- When not in use, the smoker should be kept out of the elements or protected with a cover. Allow the smoker to completely cool before placing the cover. Store this appliance in a dry, protected location when possible.
- Use of accessory attachments not recommended by the appliance manufacturer may lead to injury or property damage.

! WARNING !

To avoid serious injury:

- While cooking, the smoker must be on a level, stable, noncombustible surface in an area clear of combustible material, including long or dry grass.
- The use of alcohol, prescription or nonprescription drugs may impair the user's ability to properly assemble and safely operate this appliance.
- **DO NOT** move the appliance while it is in use.
- **DO NOT** store and use this appliance near gasoline or other combustible liquids or where other combustible vapors may be present.
- The smoker should only be used in well-ventilated areas.
- **DO NOT** use this appliance as a heater.
- **DO NOT** leave the appliance unattended while in use. Keep children and pets away from the appliance at all times.
- This appliance will be hot during and after use. Use insulated oven mitts or gloves for protection from hot surfaces or splatter from cooking liquids.

CALIFORNIA PROPOSITION 65

! WARNING !

This product and the fuels used to operate this product (charcoal or wood), and the products of combustion of such fuels, can expose you to chemicals including carbon black, which is known to the State of California to cause cancer, and carbon monoxide, which is known to the State of California to cause birth defects or other reproductive harm.

For more information go to www.p65Warnings.ca.gov

! DANGER !

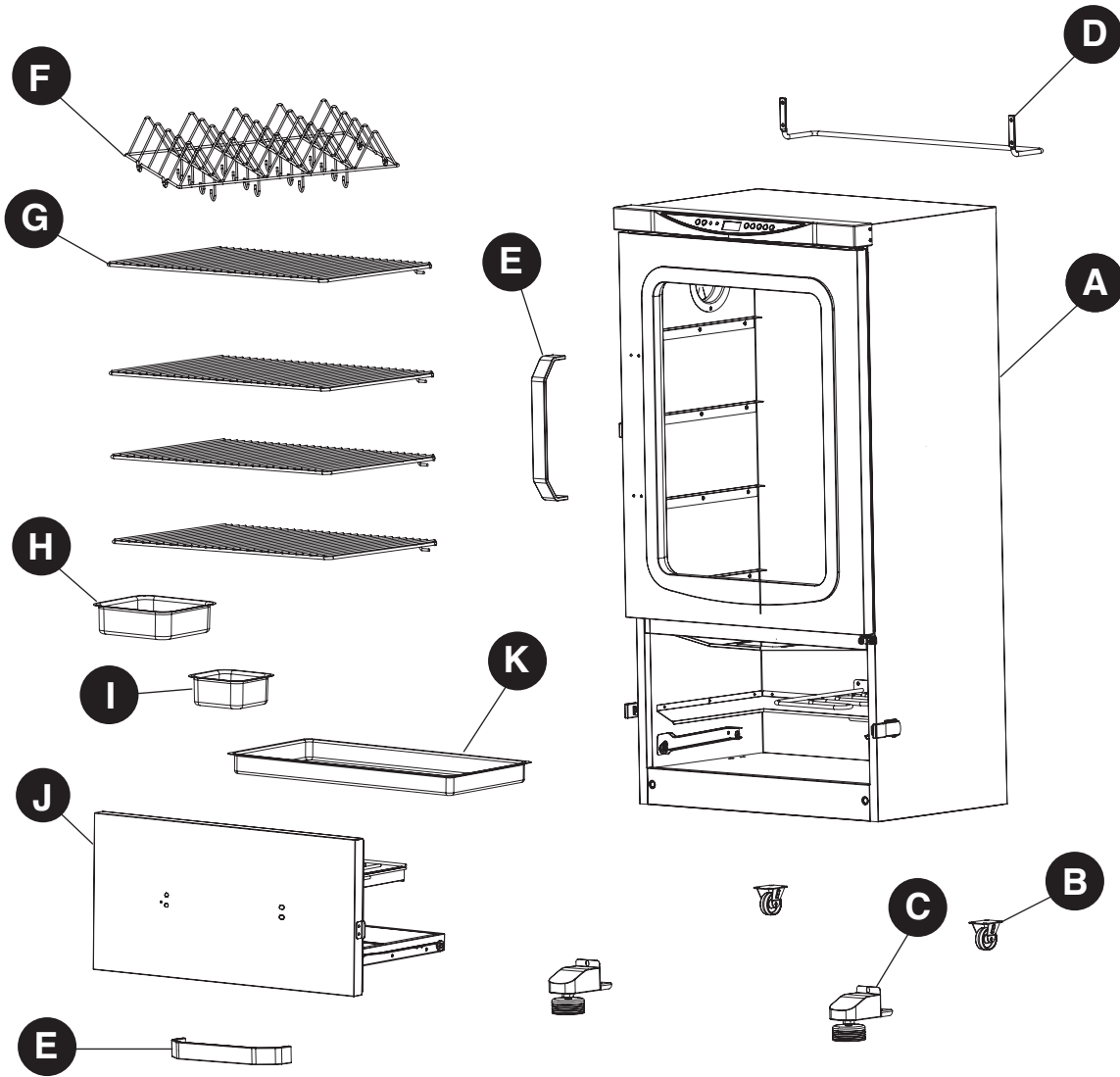
In case of fire, unplug smoker from outlet and allow fire to burn out. Do not use water to put out a fire in this or another electrical appliance.

To avoid electrical shock, disconnect electric cord before cleaning smoker. Never immerse electric controller or heating element in any liquid.

To avoid the possibility of burns, make sure the smoker is completely cooled before removing and/or cleaning electric controller and heating element.

DO NOT use steel wool or wire brushes to clean the inside of the appliance. Pieces can break off and touch electrical parts creating a risk of electric shock.

PACKAGE CONTENTS



PART	DESCRIPTION	QUANTITY
A	Smoker cabinet assembly	1
B	Rear casters	2
C	Front legs (left/right)	2
D	Rear handle	1
E	Door handle (upper door/ lower door)	2
F	Rib & Sausage rack	1
G	Cooking grates	4
H	Water bowl	1
I	Wood chip box	1
J	Drawer assembly	1
K	Grease tray	1

HARDWARE CONTENTS (PRE-ASSEMBLED)

AA

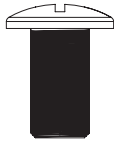


M4 x 35 mm
Screw

Qty. 8

8 M4 x 35 mm screws (AA) are pre-assembled in each of the 2 door handles (upper door/lower door) (E).

BB

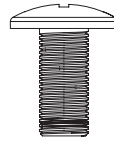


M6 x 12 mm
Screw

Qty. 6

6 M6 x 12 mm screws (BB) are pre-assembled in the smoker cabinet assembly (A).

CC



M5 x 12 mm
Screw

Qty. 12

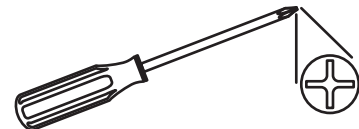
12 M5 x 12 mm screws (CC) are pre-assembled in the smoker cabinet assembly (A).

PREPARATION BEFORE ASSEMBLY

Before beginning assembly of product, make sure all parts are present. Compare parts with package contents list and hardware contents list. If any part is missing or damaged, do not attempt to assemble the product. Please read and understand this entire manual before attempting to assemble, operate or install the product. If you have any questions regarding the product, call our customer service department at 1-877-447-4768, 8:00 a.m.- 4:30 p.m. CST, Monday - Friday.

Estimated Assembly Time: 15 minutes



Tools Required for Assembly (not included): Phillips Screwdriver



ASSEMBLY INSTRUCTIONS

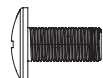
1. Remove the pre-installed screws on the bottom of the cabinet assembly (A). Attach each of the rear casters (B) to the bottom of the cabinet assembly (A) using 4 M5 x 12 (CC) screws per caster. Attach the bottom of the front legs (C) to the bottom of the cabinet assembly (A) using 3 M6 x 12 (BB) screws per leg.

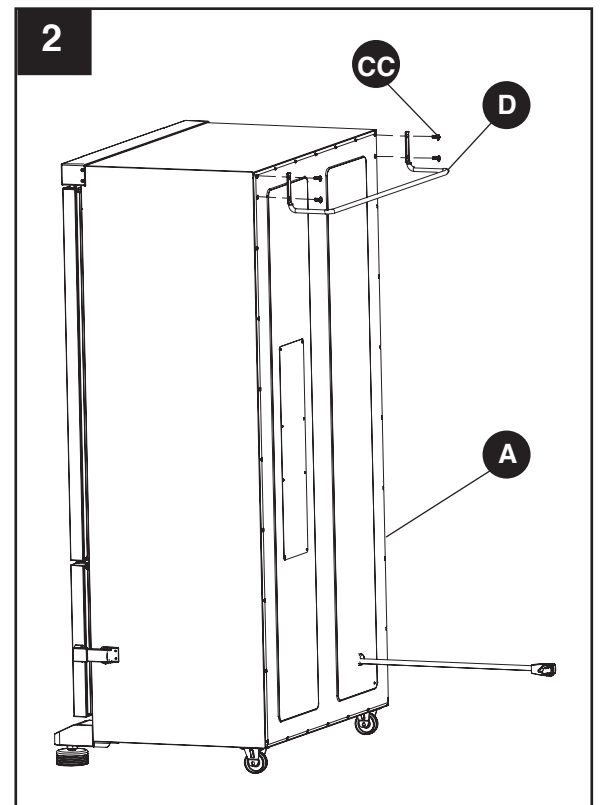
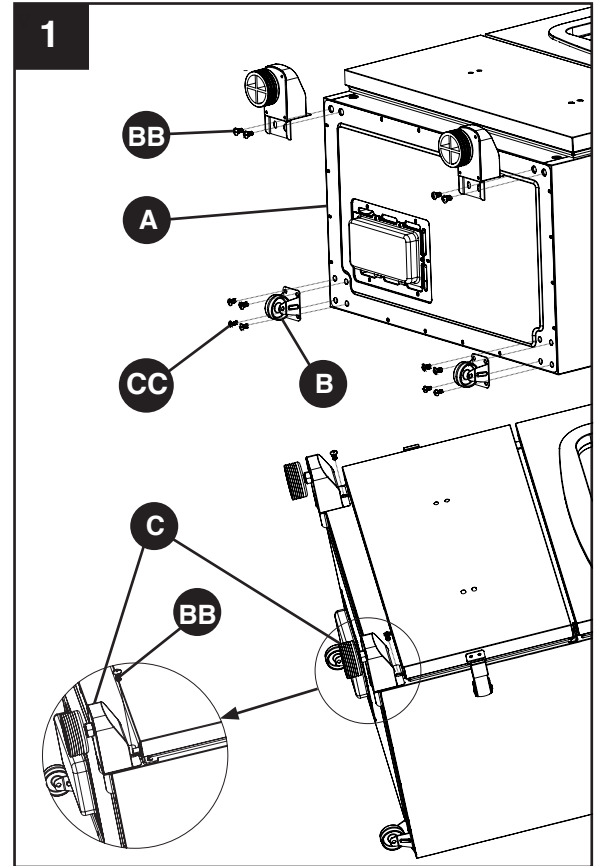
Hardware Used

BB	M6 x 12 mm Screw		x 6
CC	M5 x 12 mm Screw		x 8

2. **CAUTION: This unit is HEAVY! Do not attempt this step without assistance!**
With the assistance of a helper, stand the smoker upright on a firm and level surface. (Make sure that legs and casters are firmly attached). Remove the pre-installed screws on the back of the cabinet assembly (A) and attach the rear handle (D) using the pre-installed screws.

Hardware Used


CC	M5 x 12 mm Screw		x 4
-----------	---------------------	---	-----

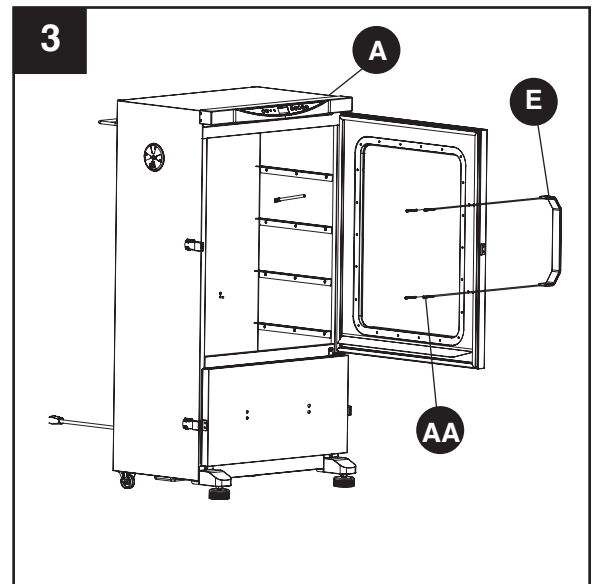


ASSEMBLY INSTRUCTIONS

3. Remove the pre-installed screws on the door handle (E) and attach the handle to the upper door on the cabinet assembly (A) using the pre-installed screws.


Hardware Used

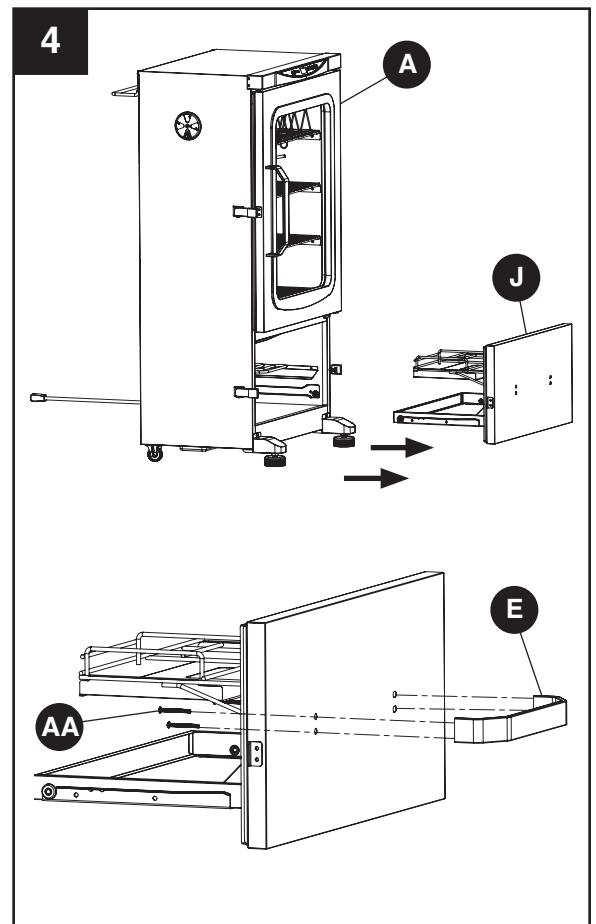
AA M4 x 35 mm Screw  x 4



4. Remove the lower drawer assembly (J) from the cabinet assembly (A). Remove the pre-installed screws on the drawer handle (E) and attach the handle to the drawer assembly (J) using the pre-installed screws.

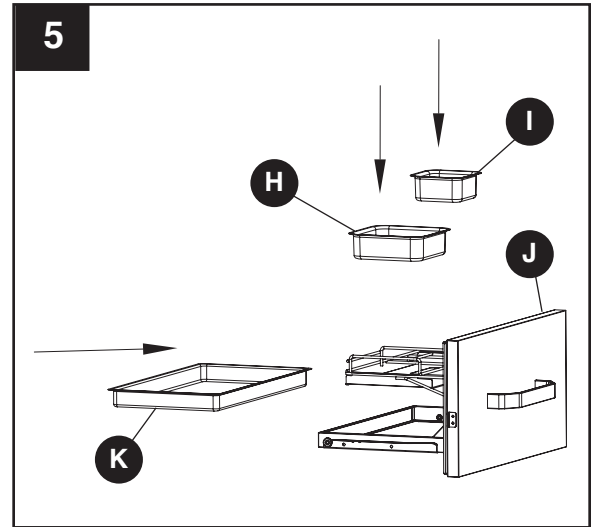
Hardware Used

AA M4 x 35 mm Screw  x 4

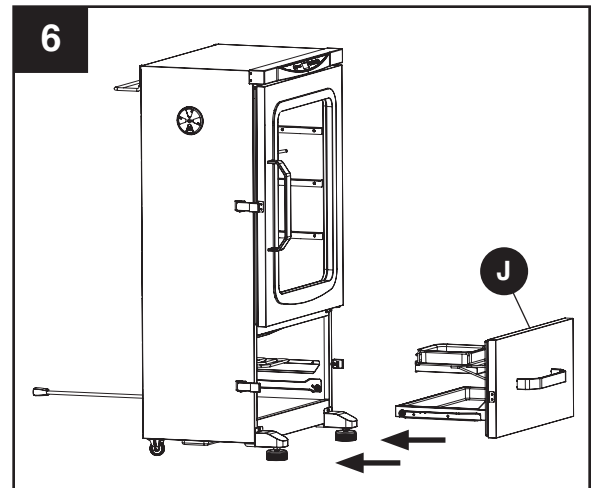


ASSEMBLY INSTRUCTIONS

5. Place the grease tray (K) onto the lower frame of the drawer assembly (J). Place the water bowl (H) and wood chip box (I) onto the upper wire supports of the drawer assembly (J).



6. Slide the drawer assembly (J) onto the cabinet support rails as shown.

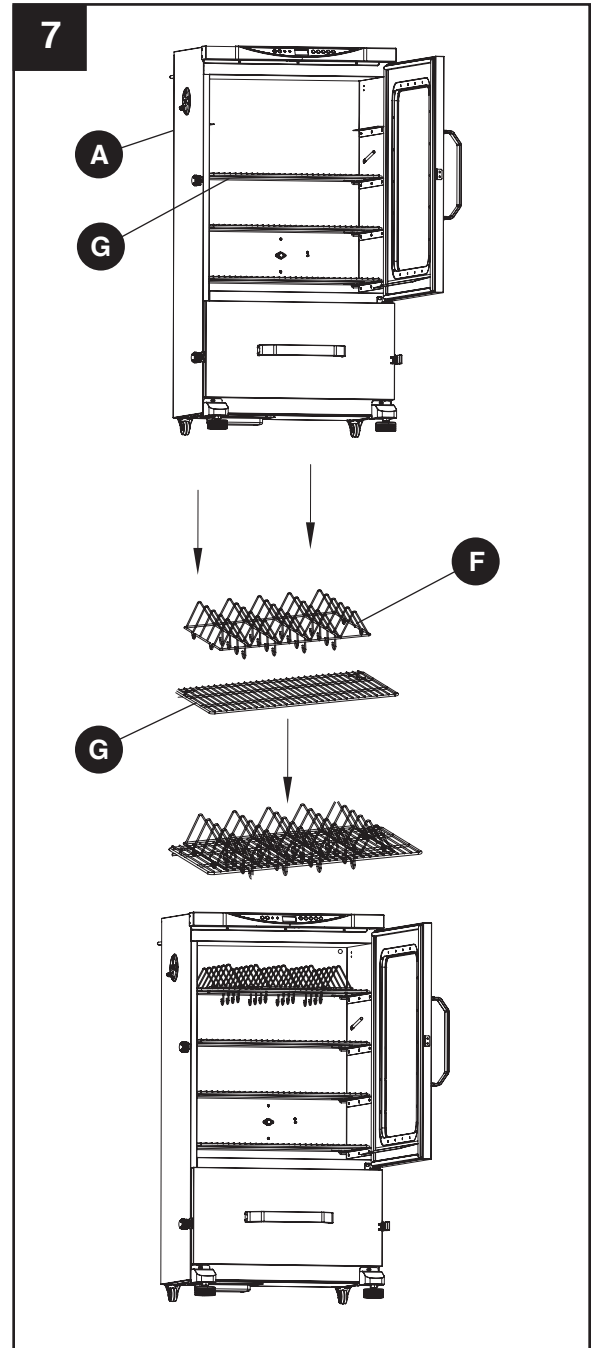


ASSEMBLY INSTRUCTIONS

7. Slide the 4 cooking grates (G) onto the support rails of the cabinet (A) as shown

Installing the Rib Rack (Optional).

Place the rib and sausage rack (F) directly onto the desired grate (G) before sliding the grate onto the supports.



REPLACEMENT PARTS LIST

For replacement parts, call our customer service department at 1-877-447-4768, 8:00 a.m. - 4:30 p.m. CST, Monday - Friday or e-mail us at customerservice@ghpgroupinc.com.

PART	DESCRIPTION	PART #
1.	Smoker Cabinet Assembly	70-01-610
2.	Rear Handle	70-01-611
3.	Top Door Hinge	70-01-612
4.	Control Panel Housing & Circuit Board	70-01-613
5.	Door Handle (Upper Door/Lower Door)	70-01-344
6.	Upper Door Assembly	70-01-614
7.	Bottom Door Hinge	70-01-615
8.	Damper Plate*	70-01-616
9.	Handle for Damper Plate	70-01-617
10.	Damper Housing	70-01-618
11.	Rib Rack & Sausage Hooks	70-01-619
12.	Firebox Crossbar	70-01-620
13.	Water Bowl	70-01-347
14.	Wood Chip Box	70-01-346
15.	Door Latch Bracket	70-01-352
16.	Door Latch	70-01-353

PART	DESCRIPTION	PART #
17.	Rear Casters (L/R)	70-01-624
18.	Front Leg Assembly (L/R)	70-01-625
19.	Outer Drawer Hardware - Left Side	70-09-124
20.	Inner Drawer Hardware - Left Side	70-09-126
21.	Inner Drawer Hardware - Right Side	70-09-127
22.	Outer Drawer Hardware - Right Side	70-09-125
23.	Water Bowl / Wood Chip Box Support	70-01-703
24.	Grease Tray	70-01-627
25.	Lower Heat Shield	70-01-628
26.	Lower Drawer Frame	70-01-629
27.	Lower Door Panel	70-01-630
28.	Cooking Grate	70-01-631
29.	Silicon Latch Sleeve	70-01-356
30.	Upper Heat Shield	70-02-475
n/a	Instruction Manual	70-10-636

REPLACEMENT PARTS LIST

