

CLEANING

WARNING: Unplug from electrical supply source before cleaning.

1. Use soft damp cloth then wipe with dry cloth.
2. Do not use harmful cleaners to paints or plastics.
3. Do not bend the blades.

RATING

ILG8P31-93: 120V~ 60Hz 1.8A 220W
CFM: 8400 RPM:1100

WARRANTY

This fan comes with a 1-YEAR LIMITED COMPONENT WARRANTY. If your unit does not appear to be working properly, please contact our service center by calling 1-800-317-1688. Prior to your call, we encourage you to visit our service-related website www.ilivingusa.com for troubleshooting tips and service instructions if needed.



Register your product at our website:
Or visit iLivingUSA.com/register-product



Love it? Help us make the product more for you.
Let us know with a customer review
Please visit: <https://www.amazon.com/review/review-your-purchases#>

At iLiving USA, we are committed to bringing top quality products to our customers.

iLIVING USA
860 Mahler Road, Burlingame
CA 94010
Email: service@ilivingusa.com
Tel: 1-800-317-1688
Check out our website: www.ilivingusa.com



OWNER'S MANUAL

30" OSCILLATING PEDESTAL FAN

MODEL: ILG8P31-93



Please read the instructions carefully before use

READ AND SAVE THESE INSTRUCTIONS

CAUTION: Read and follow all instructions before operating fan.

Do not use fan if any part is damaged or missing.

WARNING:

- To reduce the risk of fire or electrical shock, do not expose to water or rain.
- To reduce the risk of fire or electrical shock, do not use this fan with any solid-state speed control device.
- Automatically operated device - To reduce the risk of injury, disconnect from power supply before servicing.
- If the power supply cord is damaged, contact your local service center or a qualified electrician to install an appropriate replacement cord to prevent any injury or damage.
- The appliance does not apply to be used in locations where special conditions prevail, such as the presence of a corrosive or explosive atmosphere (dust, vapor or gas).
- This appliance is not intended for use by persons (including children) with reduced physical, sensory or mental capabilities, or lack of experience and knowledge, unless they have been given supervision or instruction concerning use of the appliance by a person responsible for their safety.
- Children should be supervised to ensure that they do not play with the appliance.

RULES FOR SAFE OPERATION:

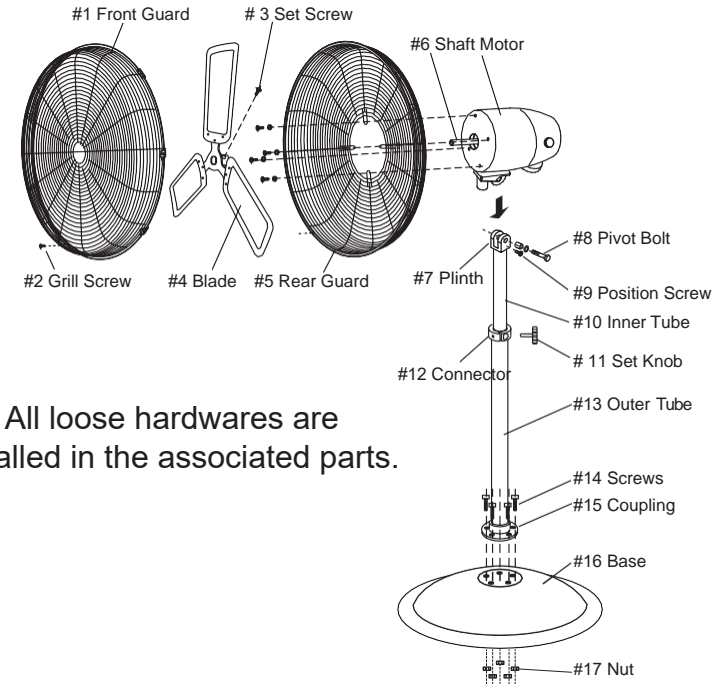
1. Never insert fingers or any other objects through the grill guard when fan is in operation.
2. Disconnect the fan from its power source when moving from one location to another.
3. Disconnect the fan from its power source when removing guards for cleaning.
4. Be sure fan is on a stable, flat surface when in operation.
5. Do not use fan in windows. Rain and moisture may create electrical hazard.
6. Close supervision is necessary when this fan is used near children, the elderly and pets.
7. Do not place the fan near an open flame, cooking or heating appliance, or hot surface.
8. This fan should not be operated outside.

CAUTION: Do not alter the fan's assembly.

WARNING: Be sure that both front and rear-guard screws are completely tightened in locking position before operation

IMPORTANT: Surges in electrical power or excessive heat may cause the fan to turn off. Wait approximately 15 minutes for the fan to resume operation.

ASSEMBLY INSTRUCTIONS



All loose hardwares are installed in the associated parts.

OPERATING INSTRUCTIONS

TO ADJUST AIRFLOW UPWARD OR DOWNWARD:

Loosen the position screw first and then loosen the pivot bolt. Tilt motor to the desired angle then firmly tighten the pivot bolt first and then tighten the position screw.

SETTING OSCILLATING MODE:

- To oscillate the fan: Loosen the screw on the oscillation rod and move to the end of the oscillation cam. Tighten the screw to lock the position. (See Figure 1)
- To stop the oscillation: Loosen the screw on the oscillation rod and move to the center of the oscillation cam. Tighten the screw again to lock the position. (See Figure 2)

CAUTION: Disconnect from mains before changing the setting.

SPEED CONTROL: Select air speed by setting switch to either high-middle-low-off.

