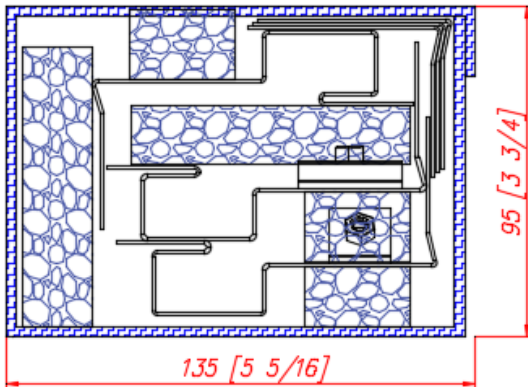


Door Invisible frame steel crimp type 3/89 (qtr 49) BELLDINNI.

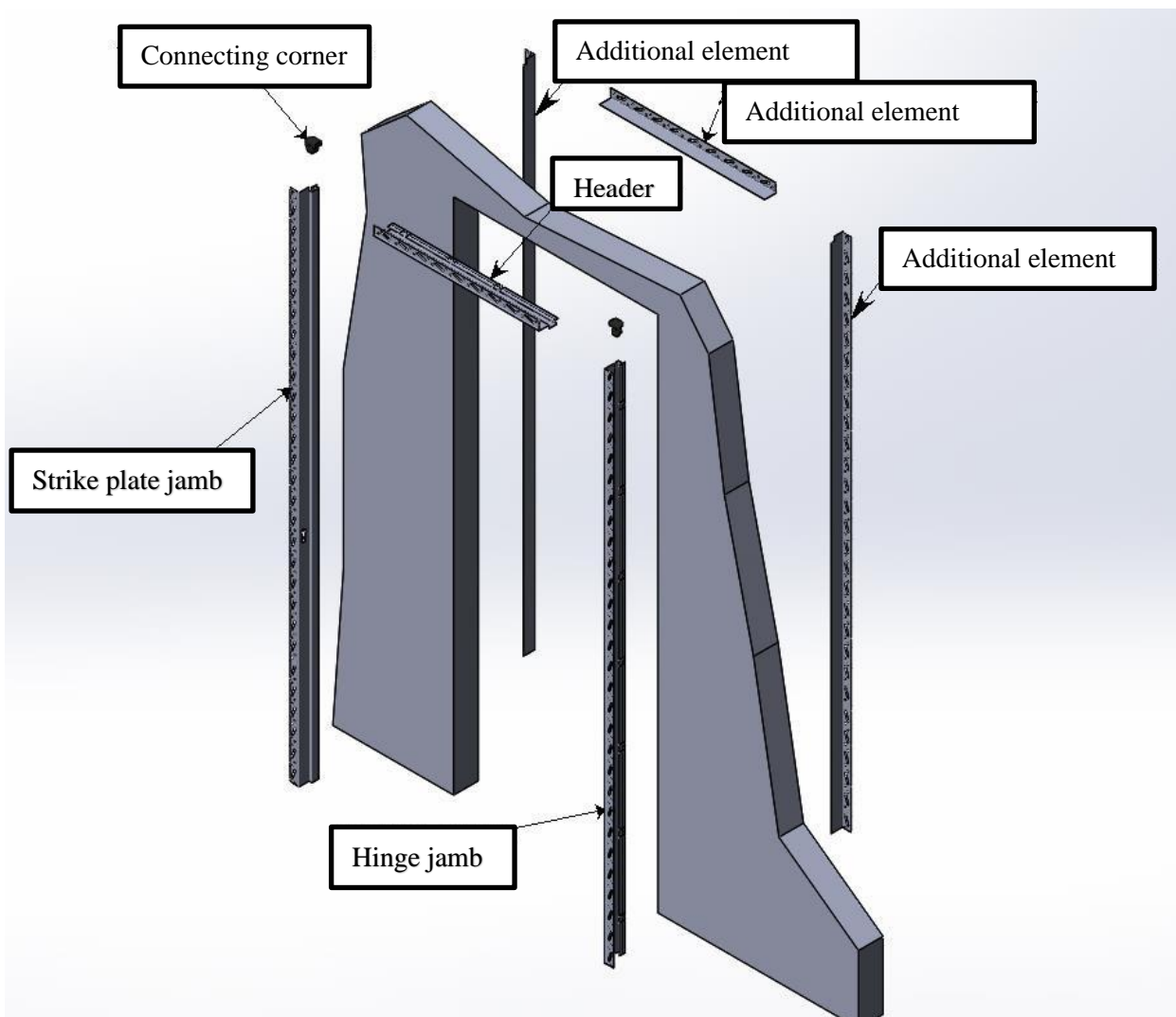
1). The frame comes to the client packaged, wrapped with wrap and protective foam moldings in a cardboard box (see drawing bellow).



*Packing drawing for door frame set "INVISIBLE steel crimp type 3/89"*

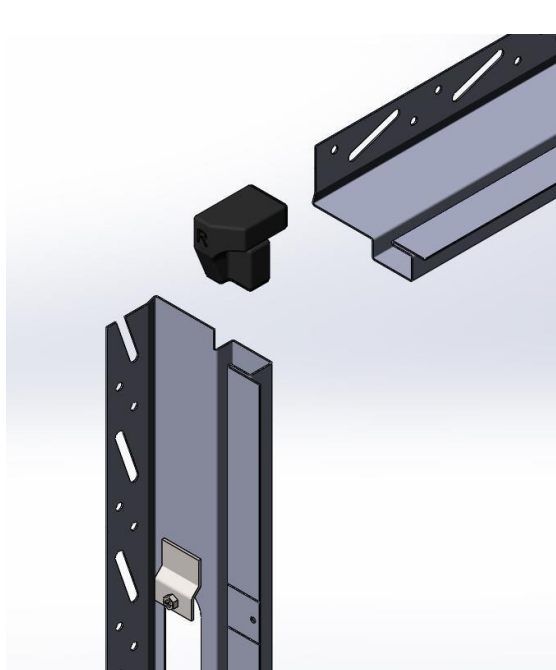
2). Open the box and take out all frame pieces. Check for damage. If damage is obvious, notify your dealer or sales representative immediately to expedite replacement.

3). Assemble the base side of the frame (which consists of the hinge jamb, strike plate jamb and header) (pic.1).

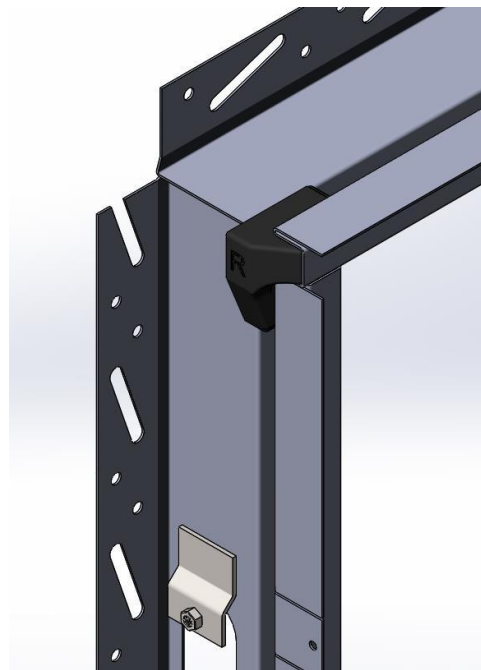


Picture 1.

Insert the connecting corners into the grooves of the butt ends of the jambs and header to base the frame (Pic. 2; Pic. 3).

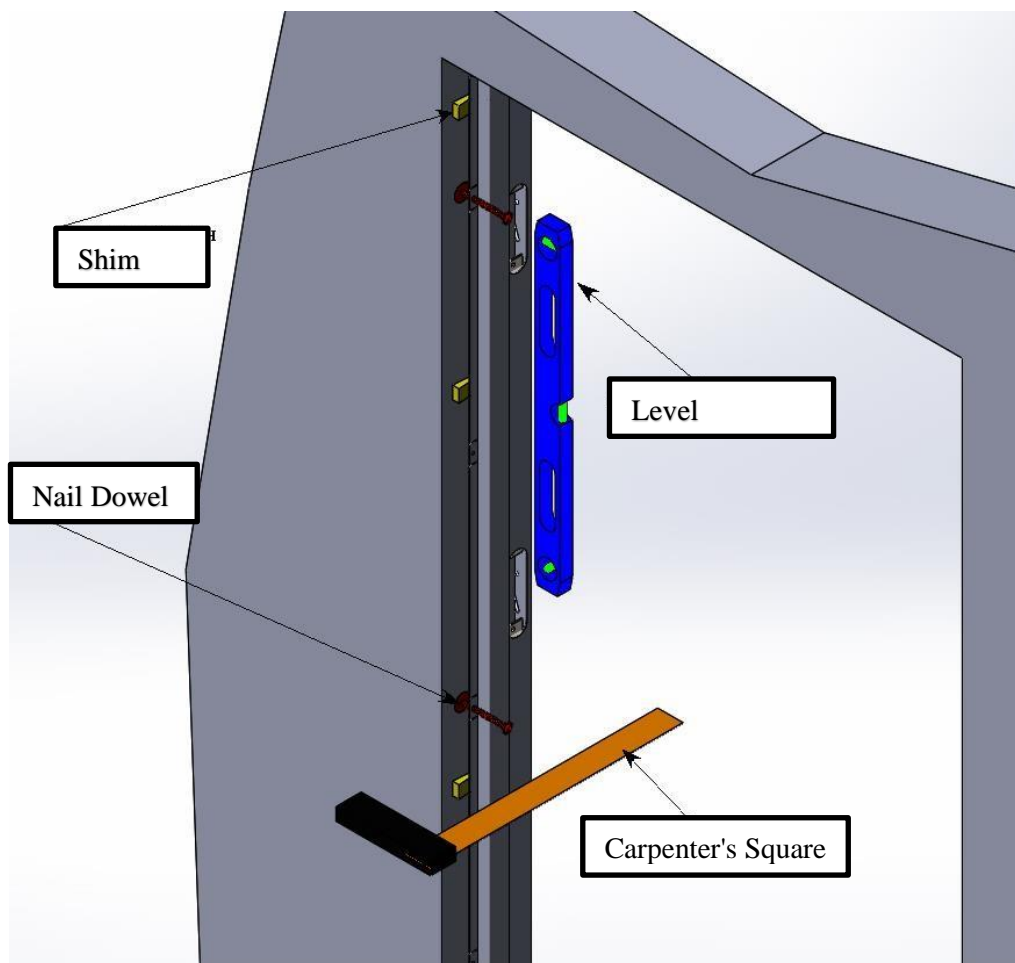


Picture 2.



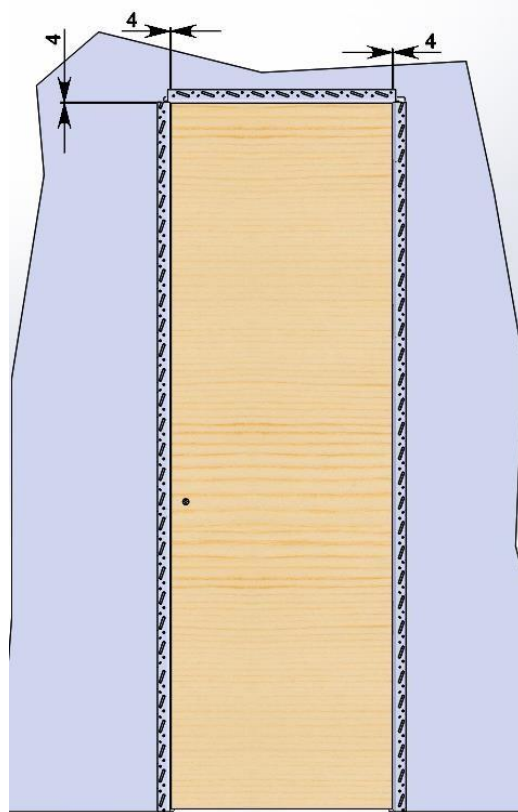
Picture 3.

Install the frame in the doorway. Using a level and a carpenter's square, fasten with shims and secure the hinged jamb (Pic 4). Repeat the process for the strike plate jamb.



Picture 4.

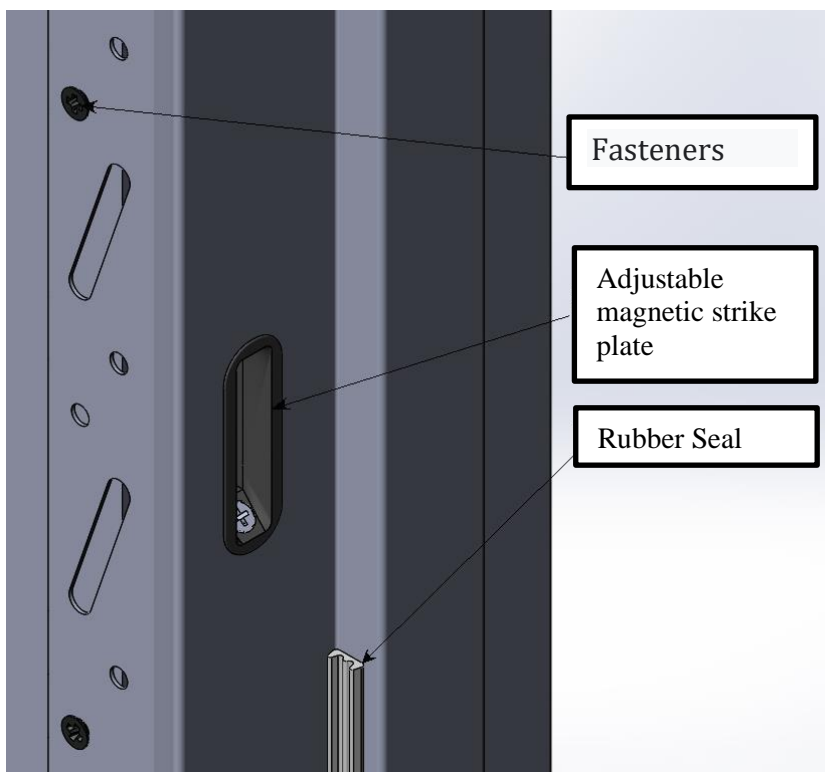
- 4). Install the door and close in the frame opening using the door as a template. Adjust the uprights to the door so that the gaps between the door and the frame are equal.



Picture 5.

- 5). Install the additional elements (Pic. 1) from the back into the guides of the base jambs. Start at either end of any additional element. It may be necessary to apply a little force to do this. After all the additional elements are installed and the gaps are set, they can be attached to the wall.

- 6). Install rubber seal around the perimeter of the door stopper, a lock and adjustable magnetic strike plate (Pic. 6). Adjust latch to eliminate any door movement after locking. Add additional fasteners as needed.



Picture 6.