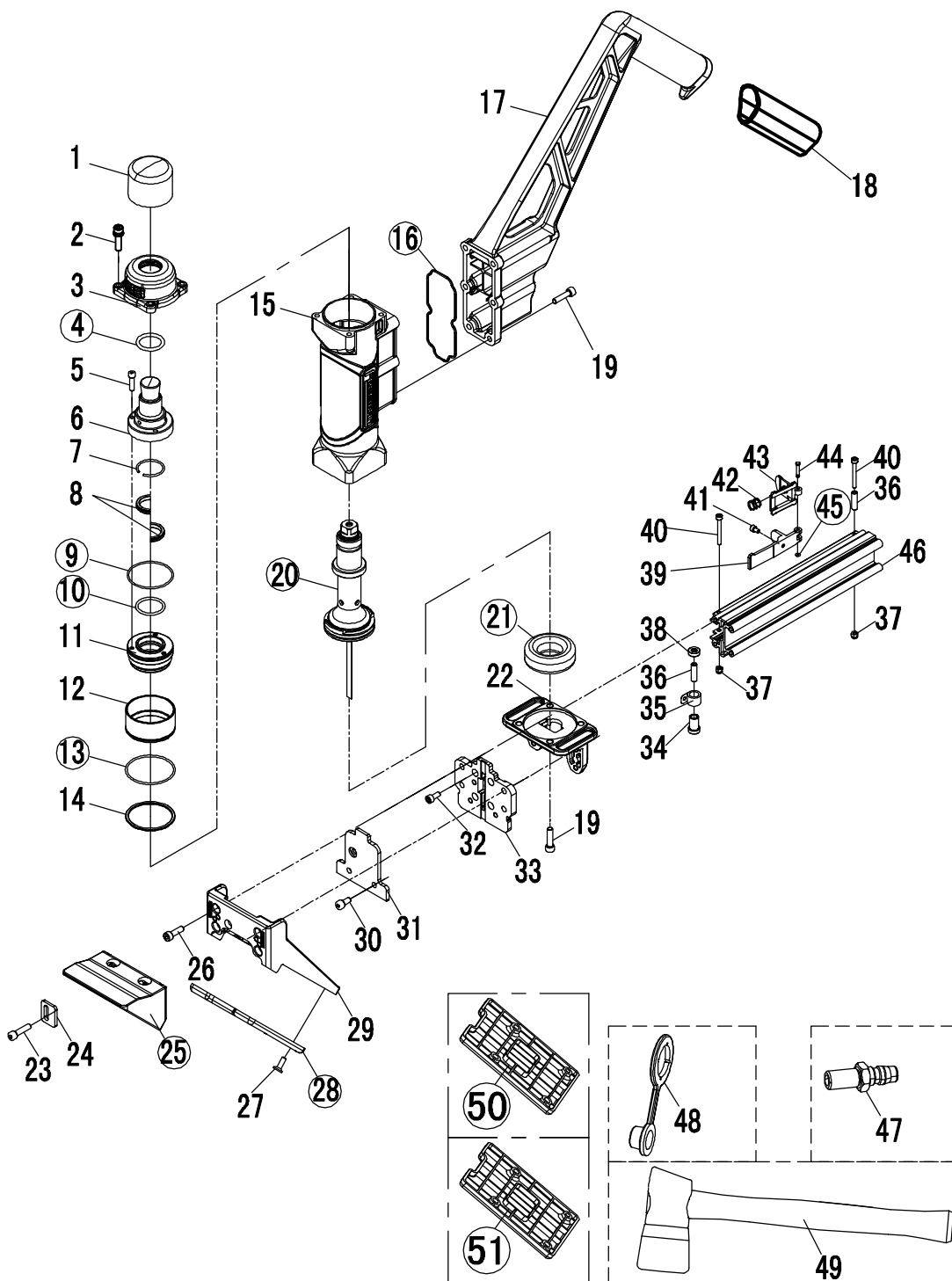


FREEMAN PF18GLCN-REPAIR KITS



KIT MODEL	KIT DESCRIPTION	PART NUMBERS
	REBUILD O-RING KIT	4、9、10、13、16、45
	REPLACEMENT MALLET	49
	DRIVE BLADE AND BUMPER KIT	20、21
	REPLACEMENT 3/8" or 1/2" BASE PLATE	50
	REPLACEMENT 5/8" or 9/16" BASE PLATE	28
	REPLACEMENT 3/4" BASE PLATE	51
	REPLACEMENT NO-MAR FOOT	25