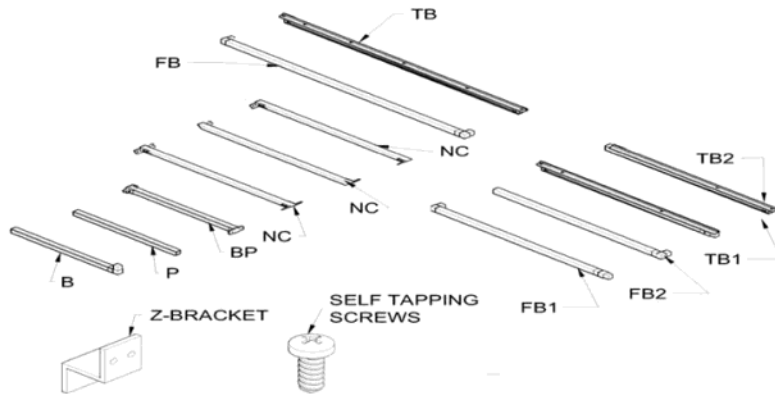
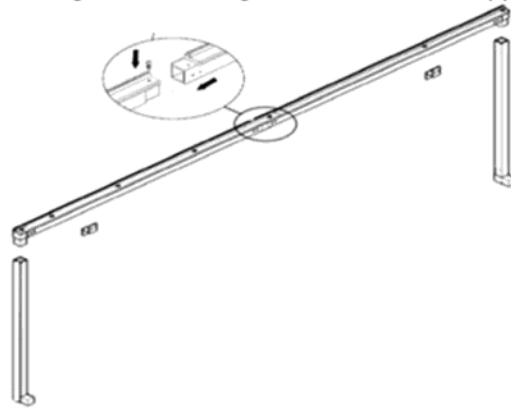


San Francisco should be assembled on the ground

STEP 1: Separate all of the parts, so they will be easy to assemble.



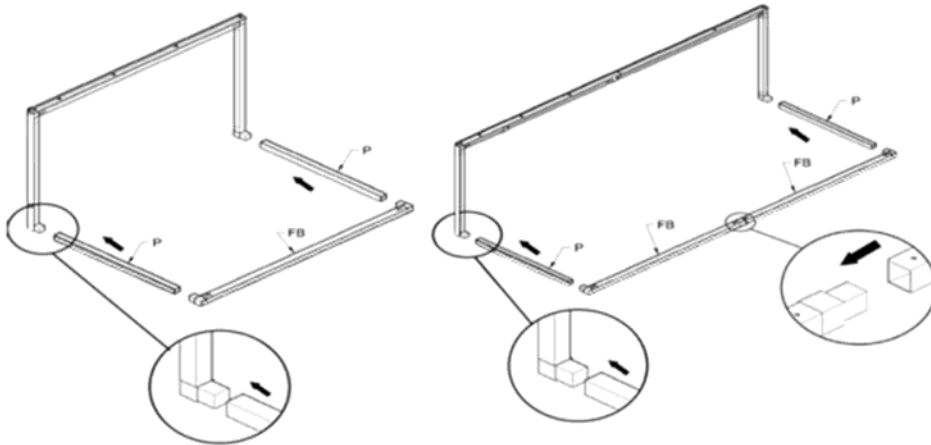
Step 2: Connect Top Bar (TB) to the (2) two back bars (B). Make sure the C-Channel is towards the back. The Velcro on the back bars should be facing the rear. Use a rubber mallet to fully seat the tubing into the fitting. Secure with self-tapping screws.



Step 3: Connect the Front Bar to Projection Bars, and then Attach Assembly to Back Bar. Secure with Self tapping screws.

Frame 2'-4'

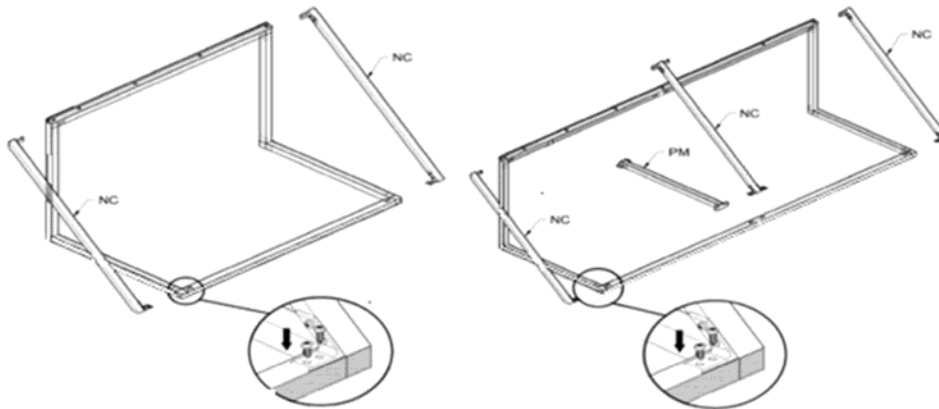
Frame 5'-24'



Step 4: Install the Cover Supports (NC) with arrows pointing upward. Attach both ends to the (TB) and (FB). Larger awnings have add Cover support (NC) and Wall Support (PM). Secure with self-tapping screws.

Frame 2'-4'

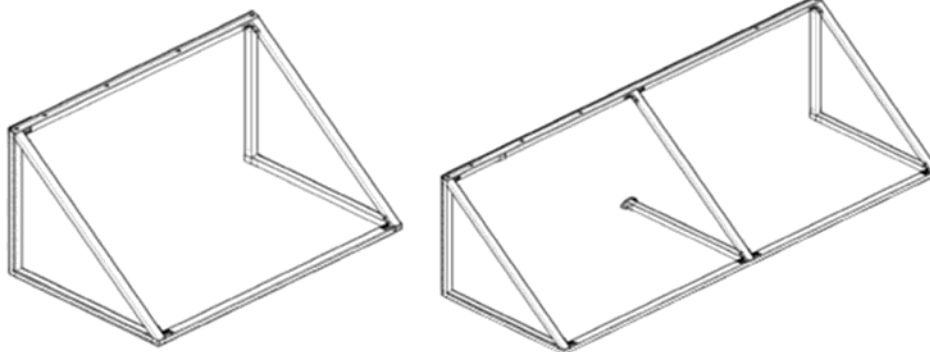
Frame 5'-24'



The frame for the San Francisco is complete

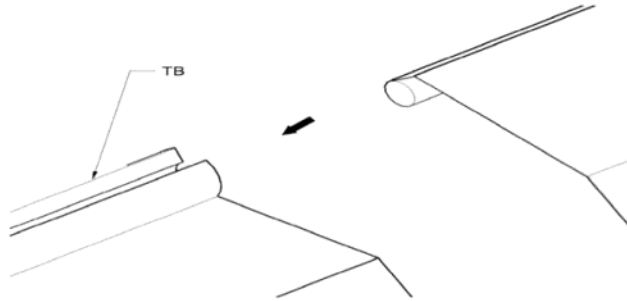
Frame 2'-4'

Frame 5'-24'

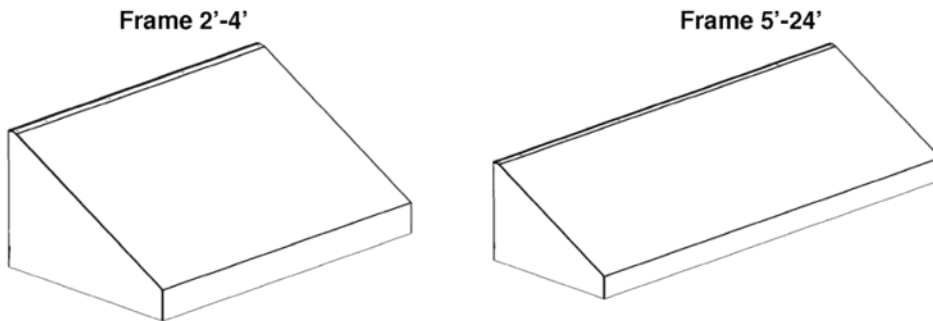


INSTALLING THE COVER

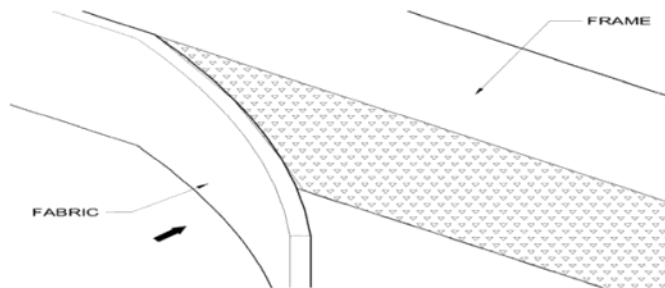
STEP 5: Slide the tubing at the top of the fabric cover into the C-Channel on the top of (TB).



STEP 6: Pull the remainder of fabric over the frame with the valance hanging down below the (NC) and (FB) bars.



STEP 7: Once you are satisfied with the position of the cover, Pull the tabs snugly and attach them to the pre-installed Velcro tape on the bars.



MOUNTING THE AWNING

STEP 8: Place the awning in desired location. From the inside of the awning make a mark on the wall where the awning touches. (see the chart below for the height measurements)

***all the sizes are in inches

Model	Space between TB and P	Height incl valance	Projection	Model	Space between TB and P	Height incl valance	Projection
RF22	24	31	24	RF22-NV	24	24	24
CF32	36	44	24	CF32-NV	36	36	24
CF33	36	44	36	CF33-NV	36	36	36
CF34	36	44	48	CF34-NV	36	36	48
CF43	48	56	36	CF43-NV	48	48	36
CF44	48	56	48	CF44-NV	48	48	48
EF2442	18	24	42	EF2442-NV	18	24	42
EF12	8	12	24	EF12-NV	8	12	24
EF1836	12	18	36	EF1836-NV	12	18	36
EF1230	8	12	30	EF1230-NV	8	12	30
EF1030	10	16	30	EF1030-NV	10	16	30
EF23	18	24	36	EF23-NV	18	24	36
EF24	18	24	48	EF24-NV	18	24	48

Step 9: install the Z-Brackets, temporarily place the awning on the wall to make sure it fits prior to tightening screws.

Step 10: Remove the awning and tighten wall brackets.

Step 11: Install weather Stripping on the awning outside parameter. Place the awning back on the brackets. Drill two holes for self-tapping screws thru the (TP) use Z-Brackets for guide. Secure with self-tapping screws.

