



PARTS MANUAL

ARTICULATING BOOMS

MODELS **SJ46AJ** **SJ51AJ**

170947AD November 2016

SKYJACKTM

This manual is based on Serial Numbers:

SJ46AJ / SJ51AJ: 95 001 105 & Above

Please refer to the website - www.skyjack.com for older Serial Numbers.

Skyjack Service Center

3451 Swenson Ave. St. Charles,
Illinois, 60174 USA
Phone: 630-262-0005
Toll Free: 1-800-275-9522
Fax: 630-262-0006
Email: service@skyjack.com

Parts (North America)

Toll Free: 1-800-965-4626
Toll Free Fax: 1-888-782-4825
E-mail: parts@skyjack.com

Skyjack Australia Pty Ltd.

4 Coates Place
Wetherill Park
New South Wales 2164
Australia
Tel: +61 (0) 28786 3200
Fax: +61(0) 28786 3222

Parts & Service (Europe)

Unit 1 Maes Y Clawdd
Maesbury Road Industrial Estate
Oswestry, Shropshire SY10 8NN UK
Phone: +44-1691-676-235
Fax: +44-1691-676-238
E-mail: info@skyjackeurope.co.uk

Skyjack Brasil

Alameda Júpiter, 710
Loteamento American Park Empresarial
Indaiatuba, SP, Brasil 13347-653
Tel: +55 19 3936 0132

Articulating Boom Series Parts Manual

General

The information contained in this section is designed to aid the user in locating and identifying replacement parts. Component parts of various assemblies and sub-assemblies comprising the work platform are illustrated and accompanied by a descriptive parts list. Exploded drawings are used to show relative location of component parts in disassembly order. If a part cannot be found in this section, order by work platform model number and serial number, giving a complete description of the part.

Parts Ordering Information

When ordering replacement parts, the complete part number and description should be used to ensure proper identification and delivery of the desired item. This complete identification should also be used when requesting equipment information.

Method Of Listing

Parts are listed in order according to the reference number shown in the illustration, followed by a full description based upon the "NOUN FIRST" method. That is, the noun name of the part is listed first, then the modifying description information which serves to specifically identify the item. For example: PIN, Clevis. Assemblies or groups are shown at the beginning of a parts list and are identified with the letter references A, B, C, etc. Individual parts in these lists have corresponding letters after their description to identify which assembly or group it is used in. Individual parts without identifying letters are used in all the assemblies or group shown at the beginning of the parts list. Descriptions preceded with an (*) indicates a serviceable component or attaching hardware for the higher level assembly. If

an index number initially starts with the letter "K", for example "K1", means it's a kit. Any item(s) included in a kit will not have an index number.

Quantities (Units Per Assy.)

The quantities of each part that are required to complete the assembly. If quantity is (AR), it is understood that the quantity may vary when machine is equipped with certain options. Order quantity as needed.

Hardware

Standard screws, washers, nuts, etc. are not identified by a reference number. These parts are known as COMMON HARDWARE items and appear indented under the major items with which they are used. They should be ordered separately as listed, since they are not component parts of the pieces they attach to.

How To Order Repair Parts

1. Address all orders to your local SKYJACK dealer.
2. Specify model and serial number of the work platform (found on the serial number plate).
3. List the quantity needed.
4. List the length needed (if bulk item).
5. List the part number and description as shown in this manual for each item.
6. Show billing and shipping address and name of individual if possible.
7. Suggest best routing.

CUSTOMER _____

DEALER _____

MODEL NUMBER _____

SERIAL NUMBER _____

DATE PURCHASED _____

Use Only Skyjack Authorized Replacement Parts!

Table of Contents

1.0 PLATFORM

1.1 Platform	10
1.2 Railings & Base	12
1.3 Swing Gate	14
1.4 Drop Gate	15
1.5 Load Cell (CE & AS)	16
1.6 Footswitch	17
1.7 Platform Control Console	18
1.8 Boom / Turret Controller Assembly (Dual Axis)	22
1.9 Drive / Steer Controller Assembly (Single Axis)	24
1.10 Riser Boom Controller Assembly (Single Axis)	26
1.11 Platform Terminal Strip	27

2.0 BOOM

2.1 Main & Fly Boom Assembly	30
2.1 Main & Fly Boom Assembly	32
2.2 Main & Riser Boom Limit Switches	34
2.3 Fly Boom Assembly	35
2.4 Riser Boom Assembly	36
2.4 Riser Boom Assembly	38
2.5 E-Chain Assembly	40
2.6 Jib Boom Assembly	42
2.7 Jib Manifold	44
2.8 Rotary Actuator	46

3.0 CYLINDERS

3.1 Extension Cylinder	48
3.2 Main Boom Lift Cylinder	50
3.3 Riser Cylinder Mounting	51
3.4 Riser Cylinder	52
3.5 Master Cylinder	53
3.6 Slave Cylinder	54
3.7 Jib Cylinder	55
3.8 Axle Lock Cylinder	56

4.0 TURRET

4.1 Turret Assembly	58
4.1 Turret Assembly	60
4.2 Cowling Assembly - Engine Side	62
4.3 Cowling Assembly - Controls Side	64
4.4 Counterweight Assembly	66
4.5 Engine Tray Assembly	68
4.6 Manifold Assembly with Hardware	70
4.7 Main Manifold	72
4.8 Brake Manifold (serial number 95 001 717 and above)	74
4.9 Brake Manifold (serial number 95 001 716 and below)	76
4.10 Pressure Reducing Manifold	78
4.11 Rotary Manifold Assembly	80
4.12 Turret Swing Drive Assembly	82
4.13 Fuel Tank Assembly - Deutz D2.9L Engine	83

Table of Contents

4.14 Fuel Tank Assembly - Deutz D2011 Engine	84
4.15 Fuel Tank Assembly - GM & Kubota Dual Fuel Engines	86
4.16 Hydraulic Tank Assembly	88
4.17 High Pressure Filter Assembly	90
4.18 Auxiliary Pump	91
4.19 Battery Assembly	92
4.20 Base Control Box - Deutz D2.9L	94
4.20 Base Control Box - Deutz D2.9L	96
4.21 Base Control Box - Deutz D2011, GM & Kubota	98
4.22 Base Terminal Strip (ANSI/CSA & AS)	102
4.23 Base Terminal Strip (CE)	103
4.24 Grease Line Hose Assembly	104
5.0 ELECTRICAL HARNESESSES	
5.1 Main Electrical Harness and Fuel Level Switch Harness	106
5.2 Battery Cables	108
5.3 Control Cable Harnesses	110
5.4 Jib/Rotate Valve Harness	111
5.5 110/220V Outlet Assembly	112
5.6 Glow Plug Harness - Deutz D2.9L Diesel Engine	113
5.7 Glow Plug Harness - Deutz D2011 Engine	114
5.8 ECU Harnesses - Deutz D2011 Engine	115
5.9 Engine Interface Harness - Deutz D2.9L	116
5.10 Engine Interface Harness - Kubota WG2503	118
5.11 Engine Interface Harness - GM Dual Fuel Engine	120
6.0 BASE	
6.1 Base Assembly	122
6.2 Axle Hardware	124
6.3 Rear Axle Assembly	126
6.4 Differential Assembly - Rear Axle	128
6.5 Brake Assembly - Rear Axle	130
6.5 Brake Assembly - Rear Axle	132
6.6 Central Housing Assembly - Rear Axle	134
6.7 Gear Box - Rear Axle	136
6.8 Hydraulic Drive Motor	138
6.9 Front Axle Assembly	140
6.10 Differential Assembly - Front Axle	142
6.11 Central Housing Assembly - Front Axle	144
6.12 Steering Assembly	145
6.13 Trunnion Assembly - Front Axle	146
6.14 Drive Shaft	147
6.15 Propane Tank Assembly	148
6.16 Tires	150
7.0 ENGINES	
7.1 Deutz D2.9L Diesel Engine	154
7.2 Deutz D2011 Diesel Engine	160
7.3 GM Dual Fuel Engine	164
7.4 Kubota WG2503 Dual Fuel Engine	170

Table of Contents

7.6 Drive and System Pump Assembly.....	180
7.7 Drive and System Pump Assembly (with Welder Option).....	182
7.8 Engine Coupling - Deutz.....	184
7.9 Engine Coupling - Kubota.....	185

8.0 HOSE CONNECTIONS

8.1 Standard Hose Numbering System.....	188
8.2 Hydraulic Hose Connection - Boom.....	190
8.3 Hydraulic Hose Connection - Manifolds & Swing Drive (S/N 95 002 084 & below).....	192
8.4 Hydraulic Hose Connection - Pumps (S/N 95 002 084 & below).....	194
8.5 Hydraulic Hose Connection - Turret (S/N 95 002 085 & above).....	196
8.6 Hydraulic Hose Connection - Base (S/N 95 002 084 & below).....	198
8.7 Hydraulic Hose Connection - Base (S/N 95 002 085 & above).....	200
8.8 Fuel Line Hose Connection - Deutz D2.9L.....	202
8.9 Fuel Line Hose Connection - Deutz D2011.....	204
8.10 Fuel Line Hose Connection - GM Dual Fuel Engine.....	206
8.11 Fuel Line Hose Connection - Kubota WG2503 Dual Fuel Engine.....	208
8.12 Propane Line Hose Connection - Kubota WG2503 Dual Fuel Engine.....	210

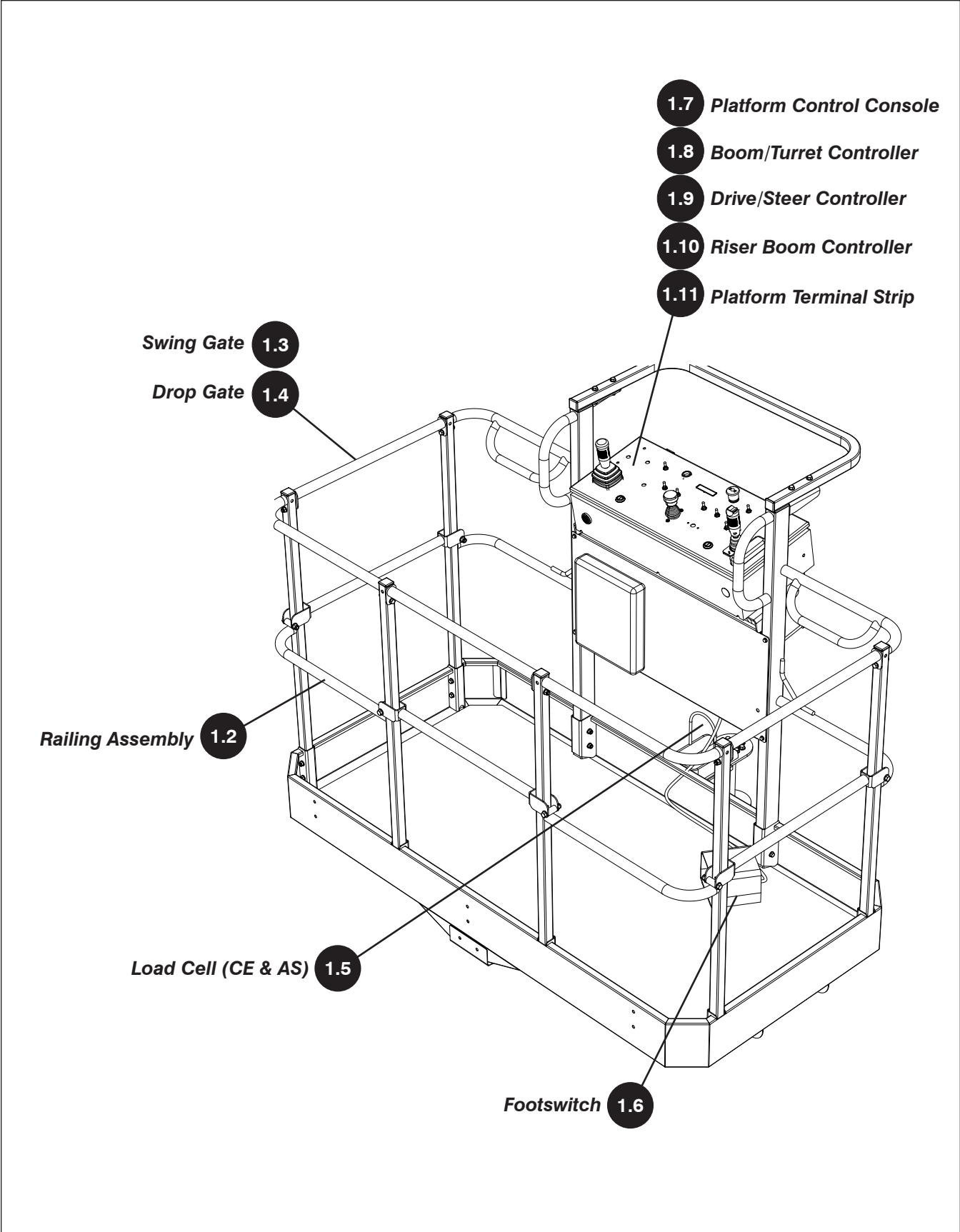
9.0 OPTIONAL EQUIPMENT

9.1 All Motion Alarm Assembly.....	212
9.2 Air Hose To Platform Option.....	213
9.3 Flashing Amber Light Option.....	214
9.4 External Platform Railing Assembly.....	215
9.5 Diesel Scrubber Option.....	216
9.6 Cold Start Option.....	217
9.7 Arctic Package Option.....	218
9.8 Load Circuit Manifold - Deutz D2.9L.....	220
9.9 Load Circuit Hose Kit - Deutz D2.9L.....	221
9.10 Oil Cooler Assembly (No Generator) - 46AJ.....	222
9.11 Oil Cooler Assembly (No Generator) - 51AJ.....	224
9.12 Hydraulic Hose Connections - Oil Cooler (No Generator).....	226
9.13 Oil Cooler Wiring.....	228
9.14 Generator & Oil Cooler Assembly - 3.5kW (46AJ).....	230
9.15 Generator & Oil Cooler Assembly - 3.5kW (51AJ).....	234
9.16 Hydraulic Hose Connection - 3.5kW Generator & Oil Cooler.....	238
9.17 Generator Wiring - 3.5kW.....	240
9.18 Generator - 3.5 kW.....	242
9.19 Generator - 12 kW.....	243
9.20 Generator & Oil Cooler Assembly - 12kW.....	244
9.21 Generator & Oil Cooler - 12kW.....	246
9.22 Circuit Breaker Assembly - 12kW Generator.....	248
9.23 Generator Wiring - 12 kW.....	250
9.24 Hydraulic Hose Connections - 12 kW Generator & Oil Cooler.....	252
9.25 Welder Option.....	254
9.26 Glazier Tray.....	258
9.27 SGM Assembly.....	260
9.28 SGE Assembly.....	262
9.29 Platform Control Box Cover.....	264
9.30 Positive Air Shutoff Option - Deutz D2.9L.....	266

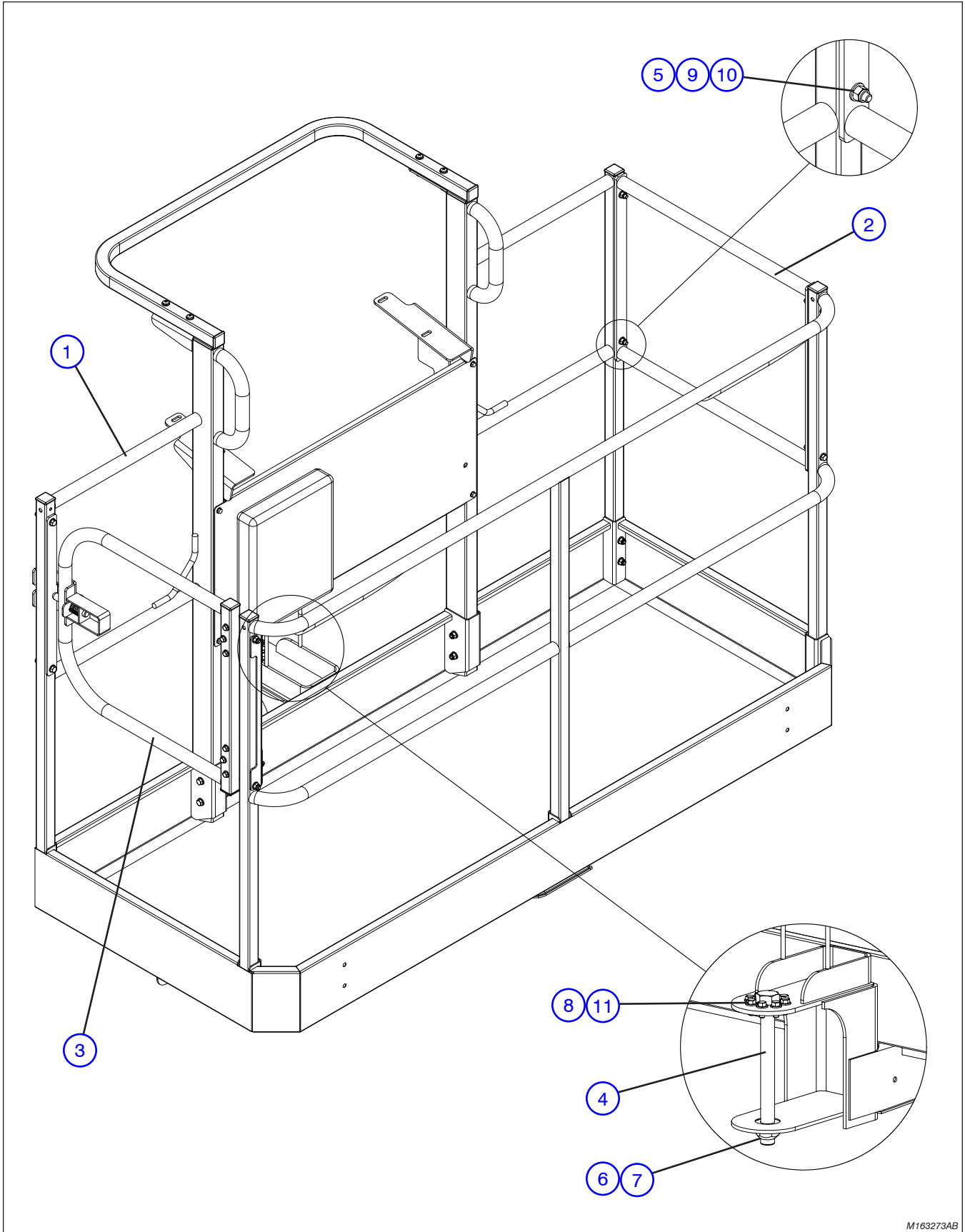
Table of Contents

9.31 Positive Air Shutoff Option - Deutz D2011	268
9.32 Pipe Rack	270
9.33 Oil Quick Drain	271
9.34 Telematics - Morey	272
9.35 Telematics - ZTR	273
9.36 Work Lights.....	274
9.37 Tool Caddy	276
9.38 Residual Current Device (RCD).....	278
10.0 LABELS	
10.1 Label Kits	281
10.2 Labels - Platform Control Box	282
10.3 Labels - Front and Back	283
10.4 Labels - Engine Side	284
10.5 Labels - Controls Side	286
10.6 Labels - Controls Compartment.....	288
10.7 Labels - Engine Compartment	289
10.8 Labels - Operator Platform	290
10.9 Labels - Fuel	292
11.0 TABLES	
11.1 Fluids	294
11.2 Grease Locations - Axle Grease Table	295
11.3 Grease Locations - Gear Grease Table	296
11.4 Filters	297

Notes



1.1 Platform

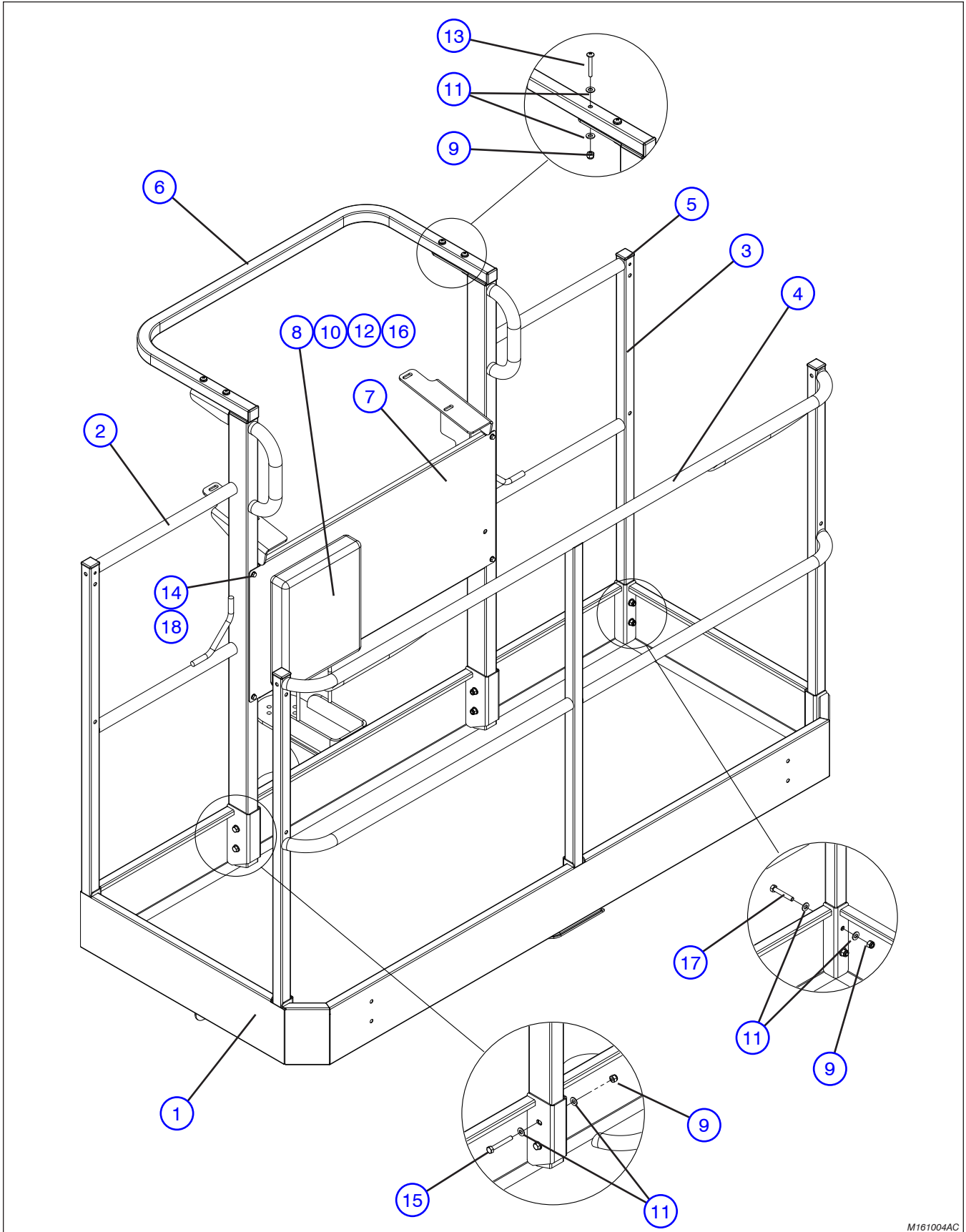


M163273AB

1.1 Platform

Index No.	Skyjack Part No.	Qty.	Description
A	161006	-	PLATFORM ASSEMBLY - 5' Drop Bar (ANSI/CSA)
B	161007	-	PLATFORM ASSEMBLY - 5' Swing Gate (ANSI/CSA)
C	161008	-	PLATFORM ASSEMBLY - 5' Drop Bar (CE & AS)
D	161009	-	PLATFORM ASSEMBLY - 5' Swing Gate (CE & AS)
E	161010	-	PLATFORM ASSEMBLY - 6' Drop Bar (ANSI/CSA)
F	161011	-	PLATFORM ASSEMBLY - 6' Swing Gate (ANSI/CSA)
G	161012	-	PLATFORM ASSEMBLY - 6' Drop Bar (CE & AS)
H	161013	-	PLATFORM ASSEMBLY - 6' Swing Gate (CE & AS)
1	(Ref.)	1	<ul style="list-style-type: none"> RAILING & BASE ASSEMBLY (For components, refer to Section 1.2)
2	159456	1	<ul style="list-style-type: none"> RAILING, Side B, D, F, H
3	(Ref.)	1	<ul style="list-style-type: none"> GATE, Swing B, D, F, H (For components, refer to Section 1.3)
	(Ref.)	2	<ul style="list-style-type: none"> GATE, Drop A, C, E, G (For components, refer to Section 1.4)
4	138696	1	<ul style="list-style-type: none"> BOLT, Hex head (1"-8 x 10 1/2" Grade 8, zinc)
5	103866	4	<ul style="list-style-type: none"> BOLT, Hex head (5/16"-18 x 2.25", Grade 5) B, D, F, H
6	138559	1	<ul style="list-style-type: none"> NUT, Torque lock (1"-8 Grade 8)
7	102646	1	<ul style="list-style-type: none"> WASHER, Flat (1")
8	125959	8	<ul style="list-style-type: none"> WASHER, Flat (3/8")
9	103996	8	<ul style="list-style-type: none"> WASHER, Flat (5/16") B, D, F, H
10	103984	4	<ul style="list-style-type: none"> NUT, Hex head nylon lock (5/16"-18, Grade 5) B, D, F, H
11	139193	8	<ul style="list-style-type: none"> BOLT, Hex head (3/8"-16 x 0.78", Grade 8) A, C, E, G

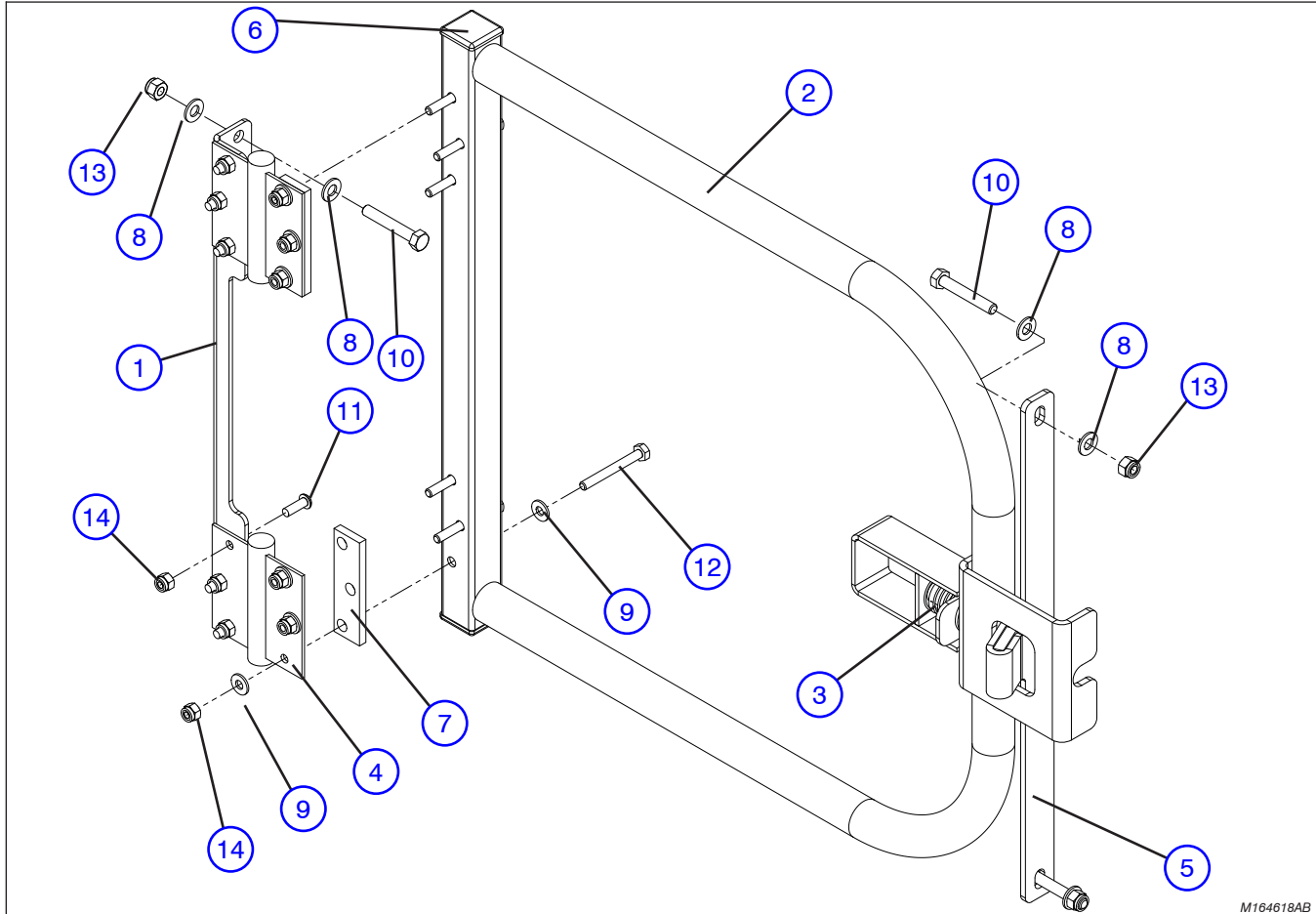
1.2 Railings & Base



M161004AC

Index No.	Skyjack Part No.	Qty.	Description
A	161002	1	PLATFORM ASSEMBLY (30" x 60") ANSI/CSA
B	161003	1	PLATFORM ASSEMBLY (30" x 60") CE & AS
C	161004	1	PLATFORM ASSEMBLY (30" x 72") ANSI/CSA
D	161005	1	PLATFORM ASSEMBLY (30" x 72") CE & AS
1	160959	1	• BASE, Platform A
	160960	1	• BASE, Platform B
	160961	1	• BASE, Platform C
	160962	1	• BASE, Platform D
2	160996	1	• RAILING, Front left A, B
	160997	1	• RAILING, Front left C, D
3	160998	1	• RAILING, Front right, A, B
	160999	1	• RAILING, Front right C, D
4	165823	1	• RAILING, Rear A, B
	165820	1	• RAILING, Rear C, D
5	100702	6	• CAP, Plastic end
6	149098	1	• RAILING, Front
7	159586	1	• PLATE, Front guard
8	198789	1	• MANUAL BOX
9	103984	18	• NUT, Centerlock (5/16"-18 Grade 8)
10	115649	4	• NUT, Hex lock (1/4"-20 Grade 5, nylon)
11	103996	36	• WASHER, Flat (5/16")
12	103995	4	• WASHER, Flat (1/4")
13	139008	4	• SCREW, Round head machine (5/16"-18 x 2")
14	103632	4	• SCREW, Hex head self tapping (1/4"-14 x 3/4")
15	103866	4	• BOLT, Hex head (5/16"-18 x 2 1/4" Grade 5)
16	103856	4	• BOLT, Hex head (1/4"-20 x 3/4" Grade 5)
17	103865	10	• BOLT, Hex head (5/16"-18 x 2" Grade 5)
18	700598	4	• WASHER, Fender
19	(Ref).	1	• LOAD CELL B, D (For components, refer to Section 1.5)

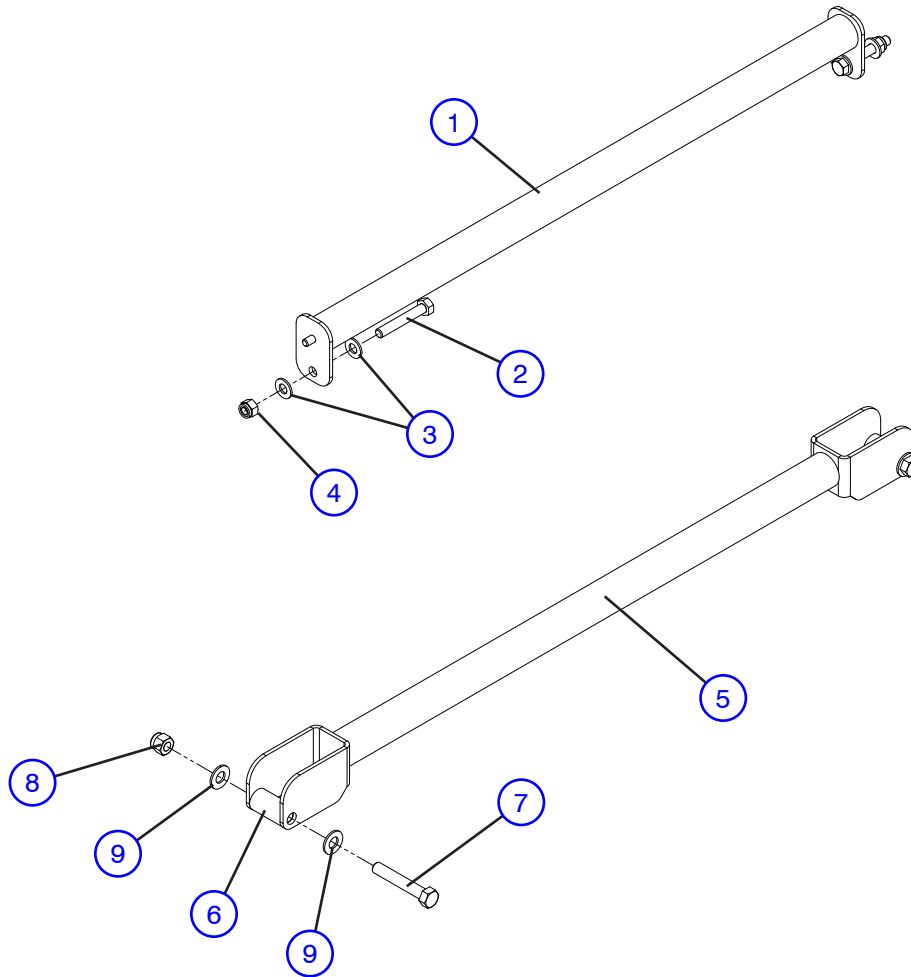
1.3 Swing Gate



M164618AB

Index No.	Skyjack Part No.	Qty.	Description
A	164589	1	SWING GATE ASSEMBLY (30" x 60")
B	164618	1	SWING GATE ASSEMBLY (30" x 72")
1	164590	1	• BRACKET, Hinge mounting
2	164593	1	• WELDMENT, Gate A
	164619	1	• WELDMENT, Gate B
3	110824	1	• PIN LATCH, Door spring
4	117277	2	• HINGE, Spring
5	166288	1	• PLATE, Locking A
5	166287	1	• PLATE, Locking B
6	100702	2	• CAP, End
7	164592	2	• TAB, Hinge
8	103996	10	• WASHER, Flat (5/16")
9	103995	12	• WASHER, Flat (1/4")
10	103865	5	• BOLT, Hex head (5/16"-18 x 2.00", Grade 5)
11	139168	6	• BOLT, Button head cap screw (1/2"-20 x 0.75", Grade 5)
12	103862	6	• BOLT, Hex head (1/4"-20 x 2.25", Grade 5)
13	103984	5	• NUT, Hex head nylon lock (5/16"-18, Grade 5)
14	115649	12	• NUT, Hex head nylon lock (1/4"-20, Grade 5)

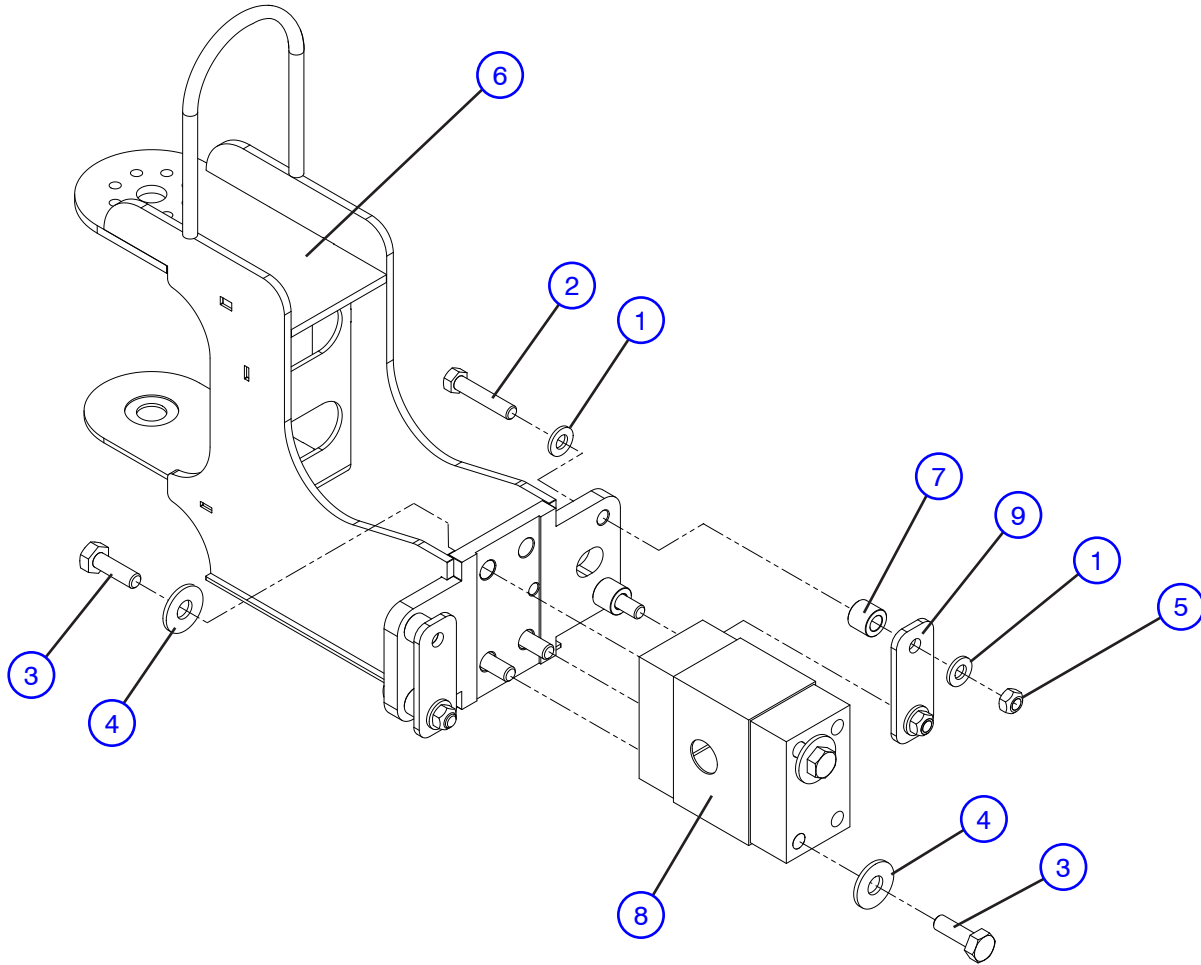
1.4 Drop Gate



M160707AC

Index No.	Skyjack Part No.	Qty.	Description
-	160707	-	DROP GATE ASSEMBLY
1	160708	1	• WELDMENT, Tie bar
2	103865	2	• BOLT, Hex head (5/16"-18 x 2.00", Grade 5)
3	103996	4	• WASHER, Flat (5/16")
4	103984	2	• NUT, Hex head nylon lock (5/16"-18, Grade 5)
-	162965	1	• DROP BAR ASSEMBLY
5	162958	1	• • WELDMENT, Drop bar
6	154386	2	• • SPACER (3/8" ID x 0.75" OD x 1.375" long)
7	103872	2	• • BOLT, Hex head (3/8"-16 x 2.25", Grade 5)
8	104606	2	• • NUT, Hex head nylon lock (3/8"-16, Grade 5)
9	103472	4	• • WASHER, Flat (3/8")

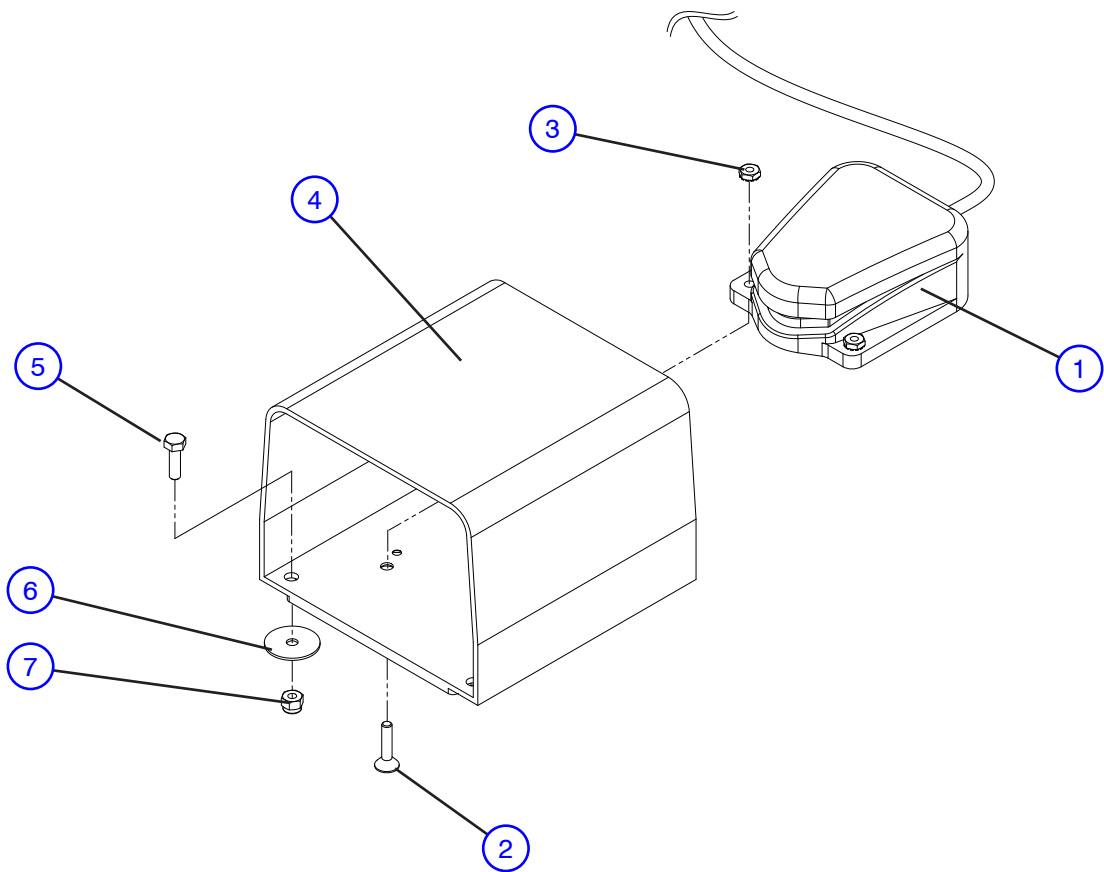
1.5 Load Cell (CE & AS)



M148966AA-2

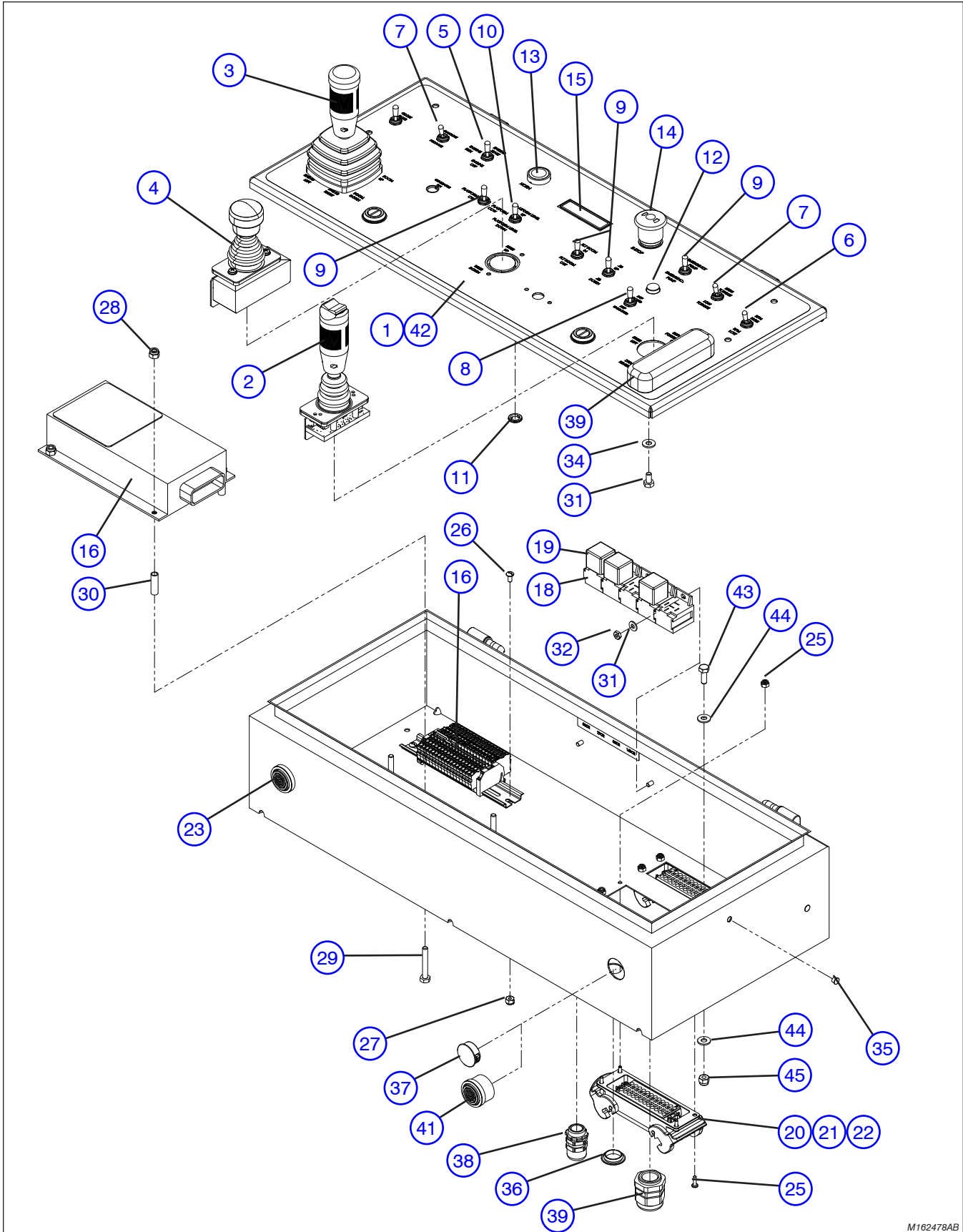
Index No.	Skyjack Part No.	Qty.	Description
-	-	1	LOAD CELL ASSEMBLY
1	104379	8	• WASHER, Flat hardened (0.50")
2	144575	4	• BOLT, Hex head (1/2"-20 x 0.75", Grade 5) B, D
3	144502	8	• BOLT, Hex head patch (M16 x 1.5 x 45, Grade 8.8) B, D
4	144329	8	• WASHER, Flat hardened (M16) B, D
5	138791	4	• NUT, Torque lock (1/2"-13, Grade C) B, D
6	148959	1	• MOUNTING, Rotary Actuator B, D
7	144574	4	• SPACER, Load cell B, D
8	144363	1	• LOAD CELL, Moba B, D
9	144365	2	• WASHER, Safety B, D

1.6 Footswitch



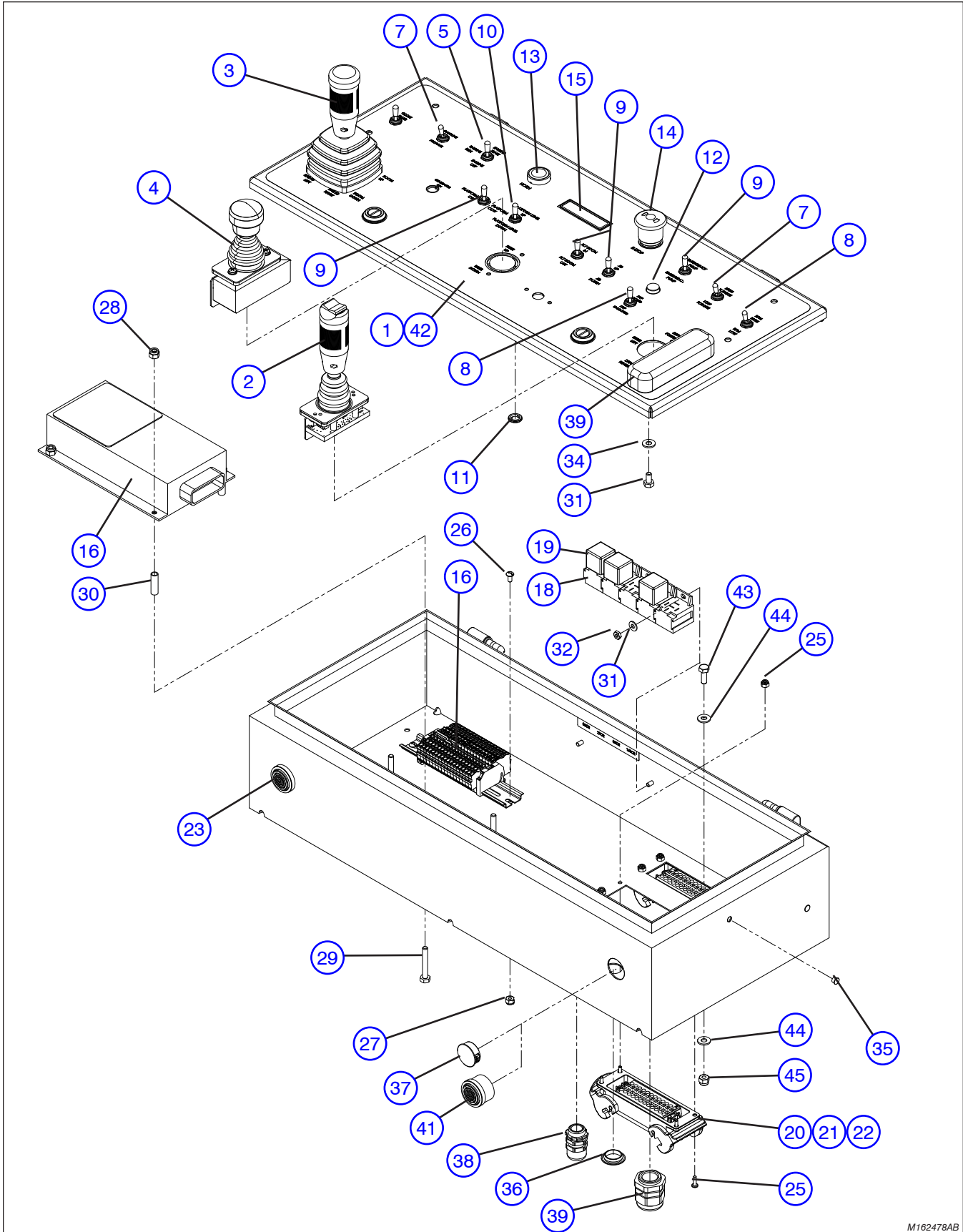
M154127AC

Index No.	Skyjack Part No.	Qty.	Description
-	154127	1	FOOTSWITCH ASSEMBLY
1	700187	1	• FOOTSWITCH
2	139688	2	• SCREW, Flat head machine (1/4"-20 x 1.00")
3	130017	2	• NUT, K-lock (#10-32, zinc)
4	700188	1	• COVER, Footswitch
5	103891	4	BOLT, Hex head (1/4"-20 x 0.87", Grade 5)
6	700598	4	WASHER, Fender
7	115649	4	NUT, Hex lock (1/4"-20 Grade 5, nylon)



M162478AB

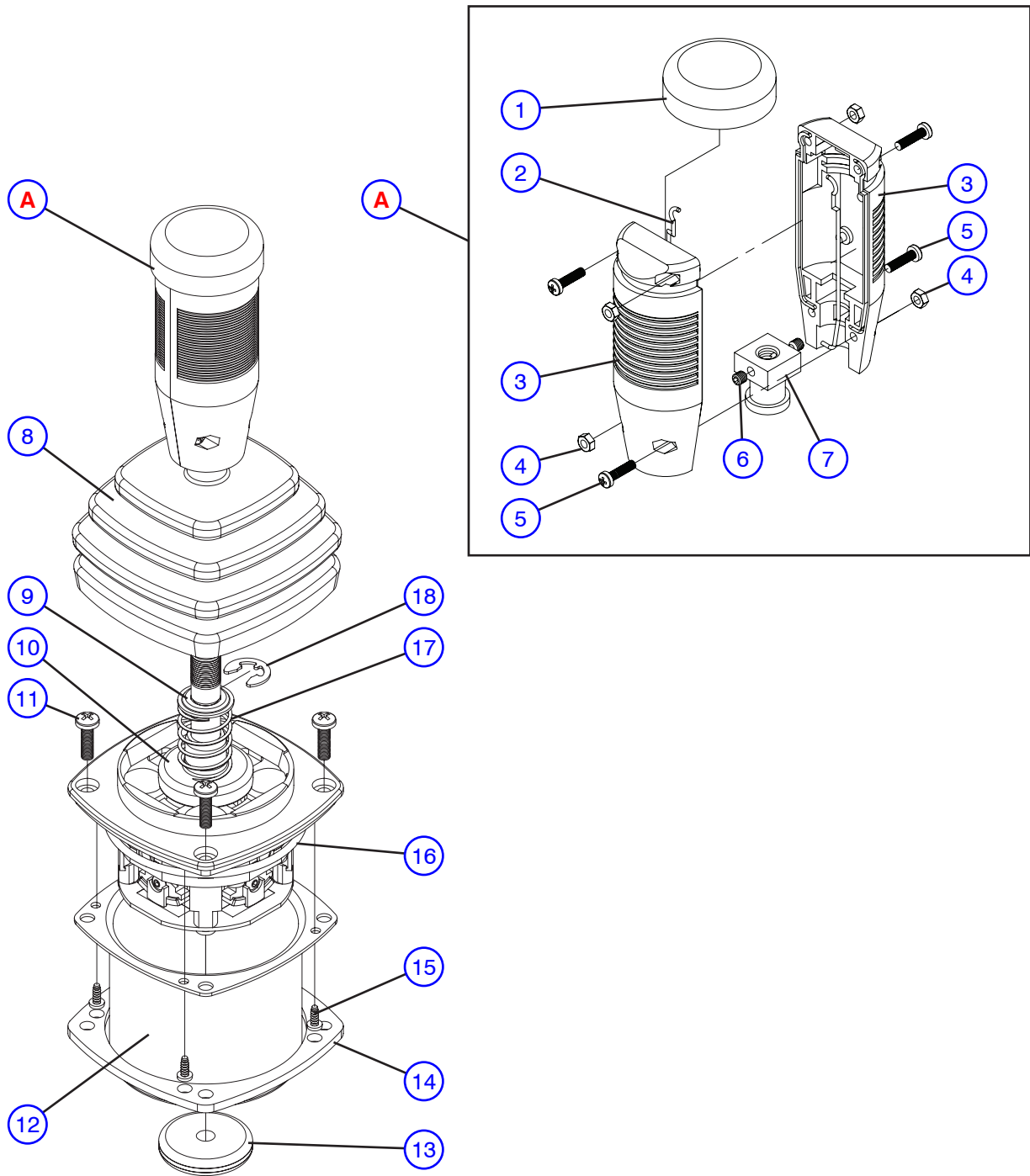
Index No.	Skyjack Part No.	Qty.	Description
A	162381	-	PLATFORM CONTROL CONSOLE ASSY (46AJ ANSI/CSA - Deutz)
B	170008	-	PLATFORM CONTROL CONSOLE ASSY (46AJ/51AJ CE - Deutz)
C	167523	-	PLATFORM CONTROL CONSOLE ASSY (46AJ/51AJ AS - Deutz)
D	162478	-	PLATFORM CONTROL CONSOLE ASSY (46AJ ANSI/CSA - GM & Kubota)
1	154122	1	• CONTROL BOX, Platform
	154123	1	• • BODY, Control box
	154124	1	• • LID, Control box
	149384	1	• • HINGE, Nylon (Left hand)
	149385	1	• • HINGE, Nylon (Right hand)
	138715	2	• • LATCH, Slotted door
	138334	1	• • WEATHER STRIP, Cut
	159879	2	• • STUD, Aluminum (#10-32 x 3/8")
	103959	8	• • SCREW, Round head machine (#10-24 x 1/4")
	163512	8	• • WASHER, Lock (#10)
2	(Ref.)	-	• CONTROLLER, Drive / Steer (For components, refer to Section 1.9)
3	(Ref.)	-	• CONTROLLER, Boom / Turret (For components, refer to Section 1.8)
4	(Ref.)	-	• CONTROLLER, Riser (For components, refer to Section 1.10)
5	124446	1	• SWITCH, Toggle (2NT1-50)
6	115747	1	• SWITCH, Toggle (1NT1-3)
7	115574	1	• SWITCH, Toggle (1NT1-2), A, B, C
		2	• SWITCH, Toggle (1NT1-2), D
8	148988	1	• SWITCH, Toggle (2NT1-70)
9	138278	4	• SWITCH, Toggle (2NT1-7)
10	138278	1	• SWITCH, Toggle (2NT1-7), A, D
	138279	1	• SWITCH, Toggle (2NT1-7E), B, C
11	144016	9	• PANEL BUSHING SEAL, A, B, C
		10	• PANEL BUSHING SEAL, D
12	148971	1	• LIGHT, Pilot (Amber)
13	144648	1	• SWITCH ASSEMBLY, HORN PUSHBUTTON
	147056	1	• • LATCH, Mounting
	147054	1	• • BLOCK, NO Contact
	147058	1	• • SWITCH HEAD, Horn pushbutton
14	144647	1	• SWITCH ASSEMBLY, PLATFORM E-STOP
	147056	1	• • LATCH, Mounting
	147229	1	• • SWITCH, LED Block (Red)
	147053	2	• • BLOCK, NC Contact
	147051	1	• • SWITCH HEAD, Emergency stop
15	138229	1	• MODULE, Upper indicating
	139203	6	• • BULB, 12V
			Parts list continued on the following page.



M162478AB

Index No.	Skyjack Part No.	Qty.	Description
			Parts list continued from the previous page.
16	153815	1	• CONTROLLER MODULE, OCM, A, C, D
	170005	1	• CONTROLLER MODULE, SCM, B
17	(Ref.)	-	• TERMINAL STRIP, Platform (For components, refer to Section 1.11)
18	138749	5	• SOCKET, Automotive relay, A, D
		7	• SOCKET, Automotive relay, B, C
19	127131	4	• RELAY, 12V (40 AMP), A, D
		7	• RELAY, 12V (40 AMP), B, C
20	138751	2	• HOUSING, Open bottom 24 pin levered
21	138756	1	• SOCKET, 24 Pin spring (16A)
22	138755	1	• PLUG, 24 Pin spring (16A)
23	103057	1	• BEEPER, 4-28VDC Slow pulsing
24	138765	8	• NUT, Hex lock (#8-32 Grade 5, nylon)
25	103957	8	• SCREW, Round head machine (#8-32 x 1/2")
26	115545	2	• SCREW, Round head machine (#10-32 x 3/8")
27	300450	2	• NUT, Hex lock (#10-32 Grade 5, nylon)
28	115649	4	• NUT, Hex lock (1/4"-20 Grade 5, nylon)
29	103860	4	• BOLT, Hex head (1/4"-20 x 1 3/4" Grade 5)
30	163241	4	• SLEEVE, Anti-vibration mount
31	104694	2	• WASHER, Flat (#10)
32	104003	2	• NUT, Hex head (#10-32)
33	103855	2	• BOLT, Hex head (1/4"-20 x 1/2" Grade 5)
34	103995	2	• WASHER, Flat (1/4")
35	144264	2	• PLUG (9/32")
36	139128	1	• PLUG (0.88"), A, D
37	131938	1	• PLUG (1 1/8"), A, D
38	103036	1	• CONNECTOR, Strain relief (1/2")
39	116266	1	• CONNECTOR, Strain relief (PG21)
40	149402	1	• HANDREST
41	144387	1	• ALARM, Overload, B, C
42	(Ref.)	1	• LABEL ASSEMBLY, Platform controls (For components, refer to Section 10.2)
43	103856	4	BOLT, Hex head (1/4"-20 x 0.75", Grade 5)
44	103995	8	WASHER, Flat (1/4")
45	115649	4	NUT, Hex lock (1/4"-20 Grade 5, nylon)

1.8 Boom / Turret Controller Assembly (Dual Axis)

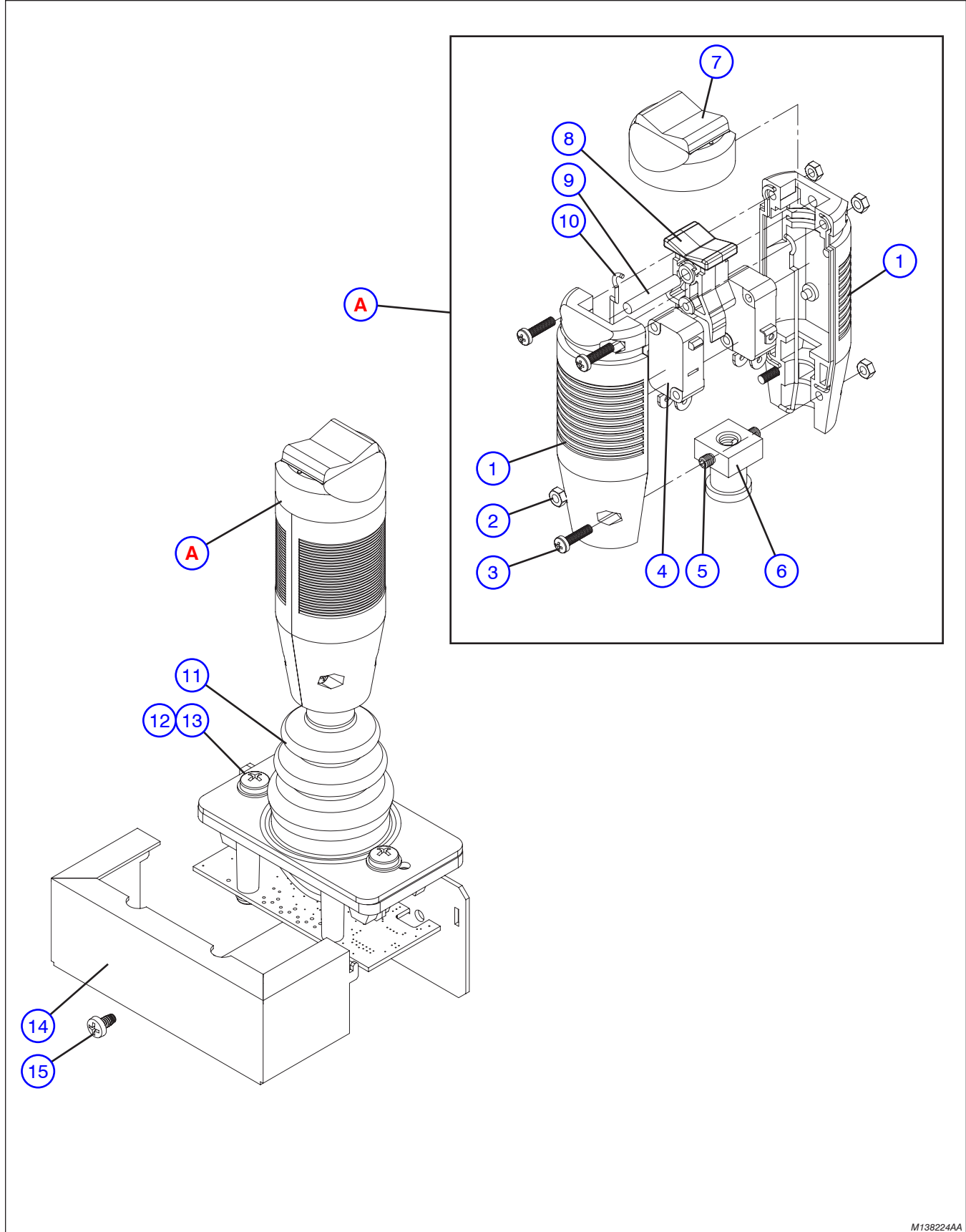


M138225AA

1.8 Boom / Turret Controller Assembly (Dual Axis)

Index No.	Skyjack Part No.	Qty.	Description
-	138225	1	BOOM / TURRET CONTROLLER ASSEMBLY (DUAL AXIS)
1	141326	1	• CAP, Rubber
2	141327	2	• GASKET
3	141325	1	• KIT, Handle
4	141328	4	• NUT
5	141329	4	• SCREW
6	141331	2	• SCREW, Set
7	141330	1	• COUPLING, (10 mm)
8	141313	1	• BOOT
9	141323	1	• WASHER, Retainer
10	141315	1	• SHOE, Spring
11	141321	4	• SCREW, Mounting (M4)
12	141316	1	• CAN, Enclosure
13	141320	1	• GROMMET, Rubber
14	141317	1	• GASKET, Mounting
15	141319	4	• SCREW
16	141318	1	• O-RING
17	141324	1	• SPRING, Compression
18	141322	1	• CLIP, Retainer

1.9 Drive / Steer Controller Assembly (Single Axis)

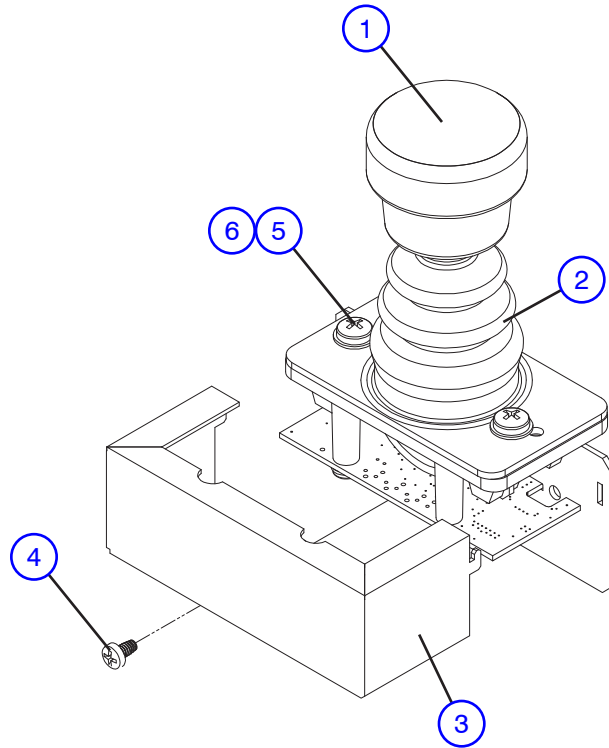


M138224AA

1.9 Drive / Steer Controller Assembly (Single Axis)

Index No.	Skyjack Part No.	Qty.	Description
-	138224	1	DRIVE / STEER CONTROLLER ASSEMBLY (SINGLE AXIS)
1	141338	1	• KIT, Handle
2	141328	4	• NUT
3	141329	4	• SCREW
4	141342	2	• MICROSWITCH
5	141331	2	• SCREW, Set
6	141343	1	• COUPLING, (8 MM)
7	141339	1	• CAP, Rubber
8	141340	1	• ROCKER
9	141341	1	• ROCKER, Axel
10	141327	2	• GASKET
11	141334	1	• BOOT ASSEMBLY, Standard
12	141336	2	• SCREW Mounting
13	141335	2	• WASHER, Mounting
14	141333	1	• ENCLOSURE
15	141337	1	• SCREW, Enclosure

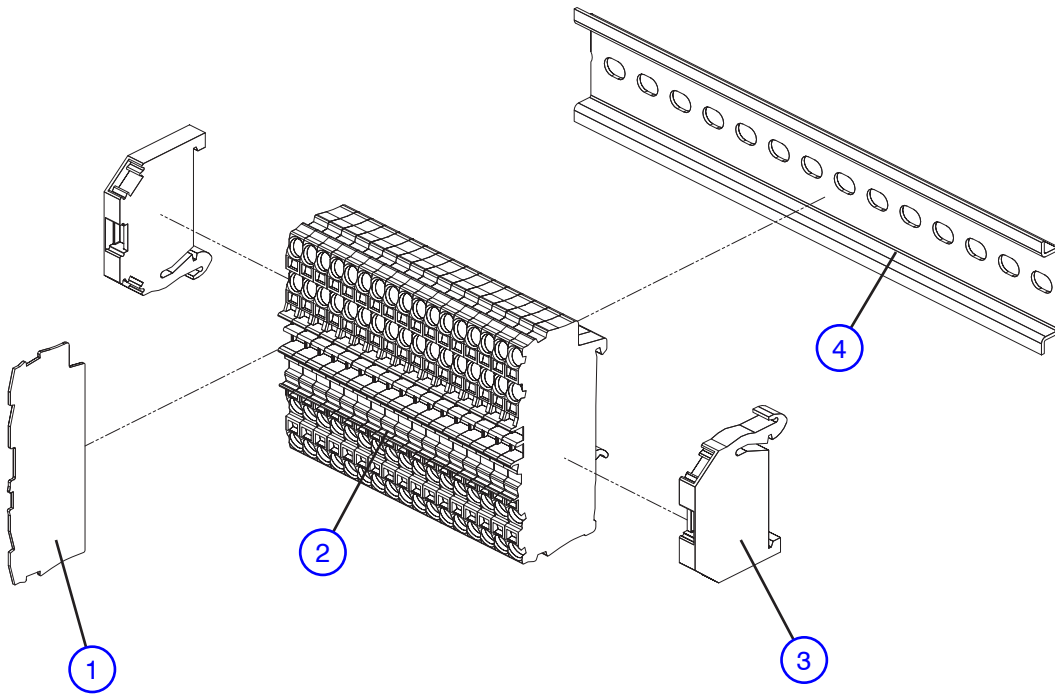
1.10 Riser Boom Controller Assembly (Single Axis)



M148707AA

Index No.	Skyjack Part No.	Qty.	Description
-	148707	1	RISER BOOM CONTROLLER ASSEMBLY (Single Axis)
1	154648	1	• CAP, Handle
2	141334	1	• BOOT ASSEMBLY, Standard
3	141333	1	• ENCLOSURE
4	141337	1	• SCREW, Enclosure
5	141336	2	• SCREW, Mount
6	141335	2	• WASHER, Mount

1.11 Platform Terminal Strip

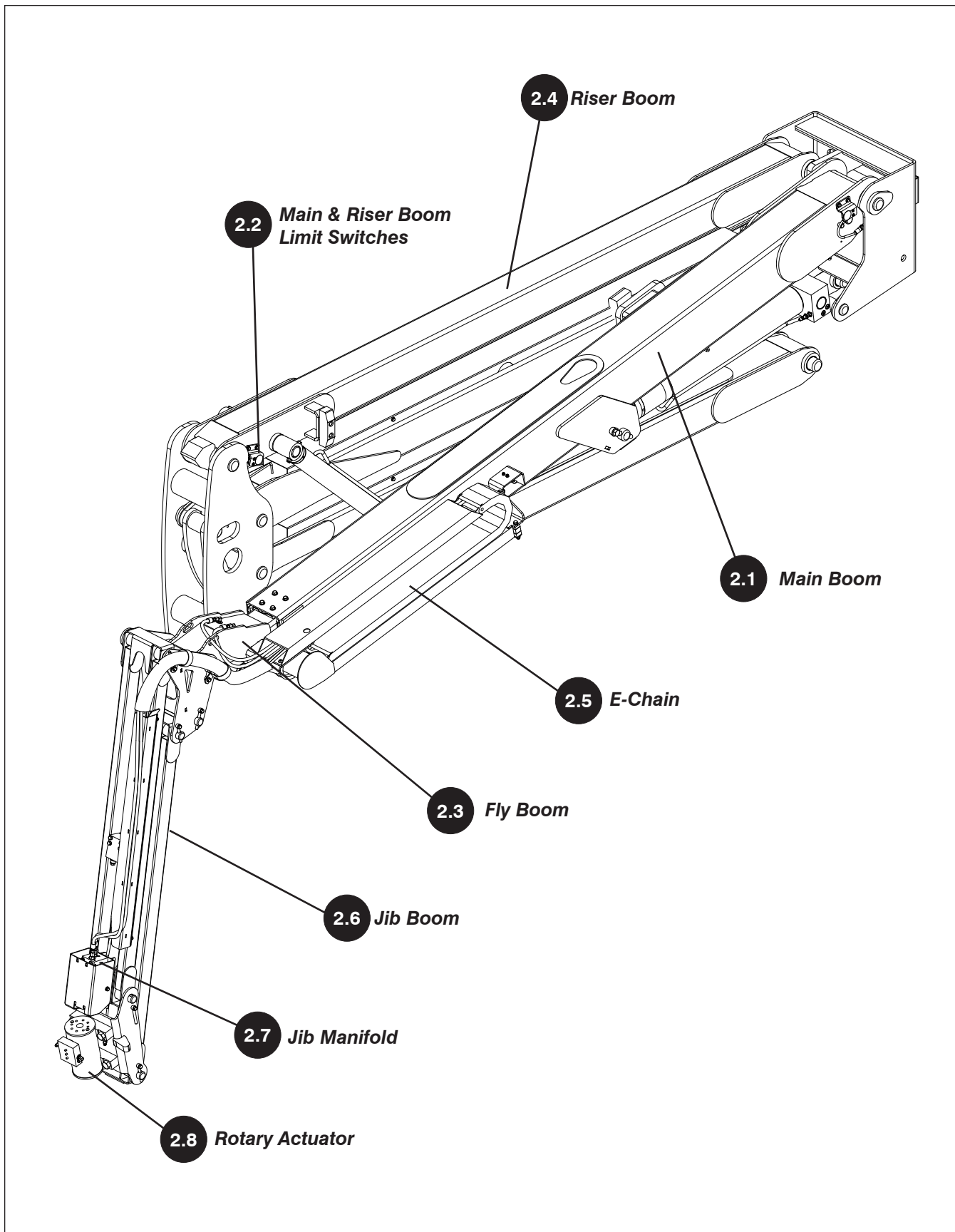


M148926AA

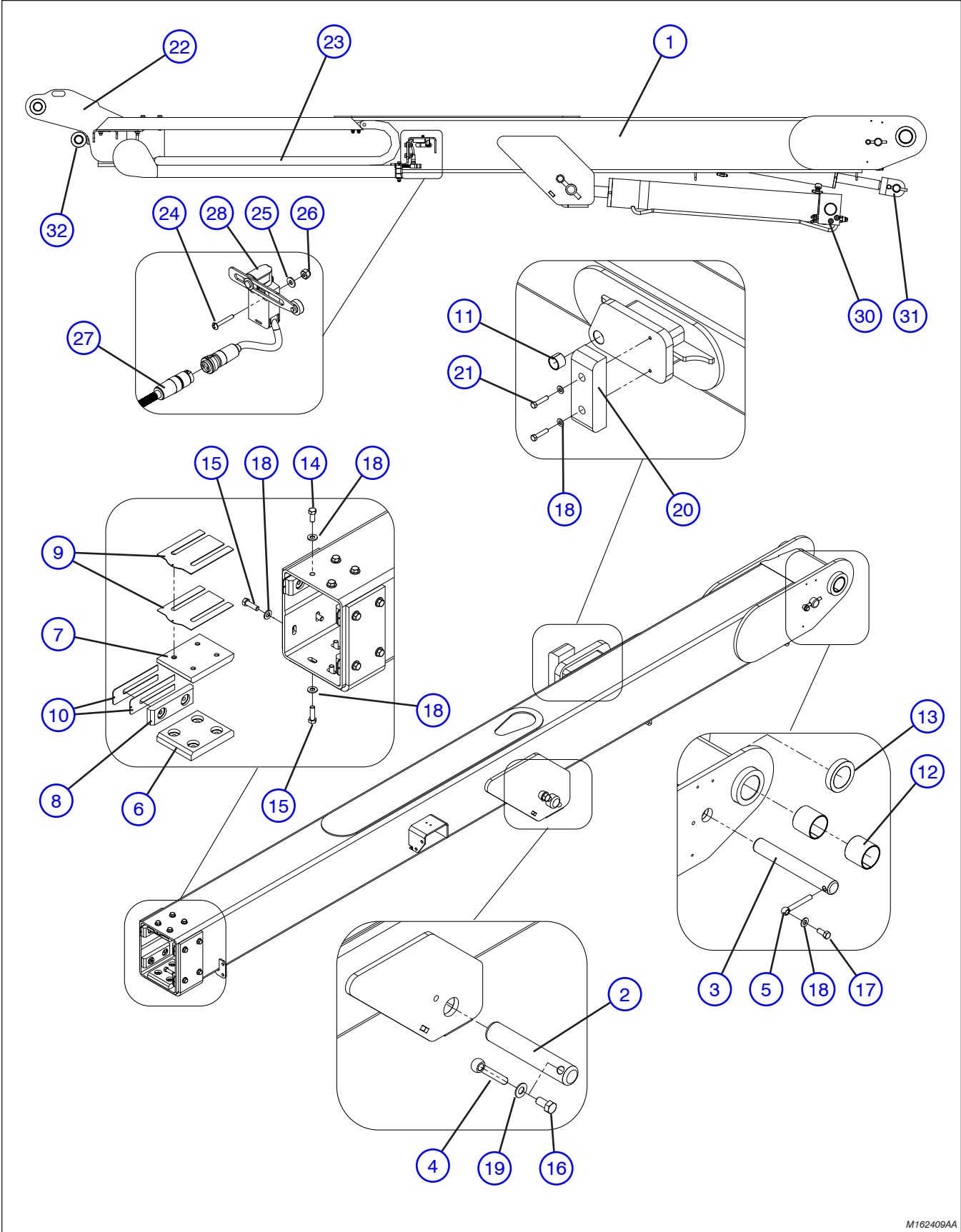
Index No.	Skyjack Part No.	Qty.	Description
-	168553	1	TERMINAL STRIP, Platform
1	137941	1	• END PLATE
2	137940	18	• TERMINAL BLOCK, Through
3	707147	2	• END STOP
4	102874	7"	• DIN RAIL

Notes

Lined area for notes, consisting of 30 horizontal lines.



2.1 Main & Fly Boom Assembly



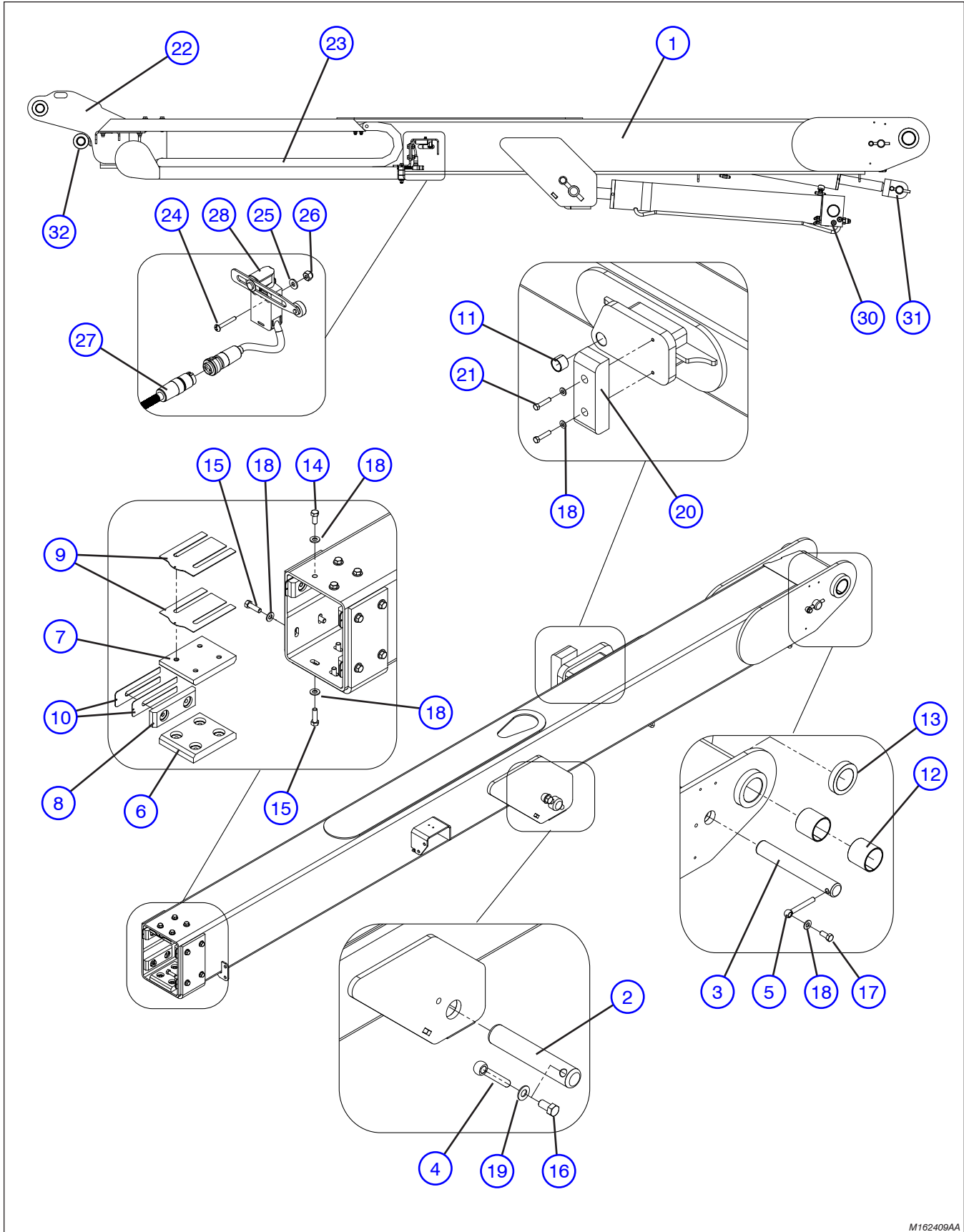
M162409AA

2.1 Main & Fly Boom Assembly

Index No.	Skyjack Part No.	Qty.	Description
A	161976	1	MAIN AND FLY BOOM ASSEMBLY (SJ 46AJ)
B	162446	1	MAIN AND FLY BOOM ASSEMBLY (SJ 51AJ)
	161977	1	• MAIN BOOM ASSEMBLY, A
	162447	1	• MAIN BOOM ASSEMBLY, B
1	161981	1	• • MAIN BOOM WELDMENT, A
	162451	1	• • MAIN BOOM WELDMENT, B
2	148843	1	• • PIN (1 3/4" diameter x 9 1/2")
3	148844	1	• • PIN (1.25" diameter x 9")
4	146898	1	• • KEEPER PIN (5/8")
5	146897	1	• • KEEPER PIN (3/8")
6	148826	1	• • PAD, Bottom
7	148827	1	• • PAD, Top
8	148828	4	• • PAD, Side
9	148829	AR	• • SHIM, 16 Gauge (top)
	148830	AR	• • SHIM, 20 Gauge (top)
10	148837	AR	• • SHIM, 16 Gauge (side)
	148838	AR	• • SHIM, 20 Gauge (side)
11	148817	2	• • BUSHING (2" ID x 2")
12	148847	1	• • BUSHING (1 1/4" ID x 1")
13	149267	2	• • SPACER (Extension cylinder)
14	300437	4	• • BOLT, Hex head (3/8"-16 x 7/8" Grade 5)
15	101297	12	• • BOLT, Hex head (3/8"-16 x 1 1/4" Grade 5)
16	149015	1	• • BOLT, Hex head/patch (5/8"-16 x 7/8" Grade 8, ZP)
17	139193	1	• • BOLT, Hex head patch (3/8"-16 x 7/8" Grade 8, ZP)
18	125959	19	• • WASHER, Flat (3/8")
19	700782	1	• • WASHER, Flat (5/8")
20	152306	1	• • PAD, Wear - boom
21	103871	2	• • BOLT, Hex head (3/8"-16 x 1.75" Grade 5)
22	(Ref.)	1	• FLY BOOM ASSEMBLY (For components, refer to Section 2.3)
23	(Ref.)	1	• E-CHAIN ASSEMBLY (For components, refer to Section 2.5)
-	161980	1	• BOOM EXTEND LIMIT SWITCH ASSEMBLY, A
-	162450	1	• BOOM EXTEND LIMIT SWITCH ASSEMBLY, B
24	112248	2	• • SCREW, Round head machine (#8-32 x 1")
25	103991	2	• • WASHER, Flat (#8)
26	138765	2	• • NUT, Hex lock (#8-32 Grade 5, nylon)
27	160015	1	• • CORD, Switch (17m)
28	160018	1	• • SWITCH, Limit (with adjustable lever arm)
29	(Ref.)	1	• EXTENSION CYLINDER (For components, refer to Section 3.1)
30	(Ref.)	1	• MAIN BOOM LIFT CYLINDER (For components, refer to Section 3.2)

Parts list continued from the previous page.

2.1 Main & Fly Boom Assembly

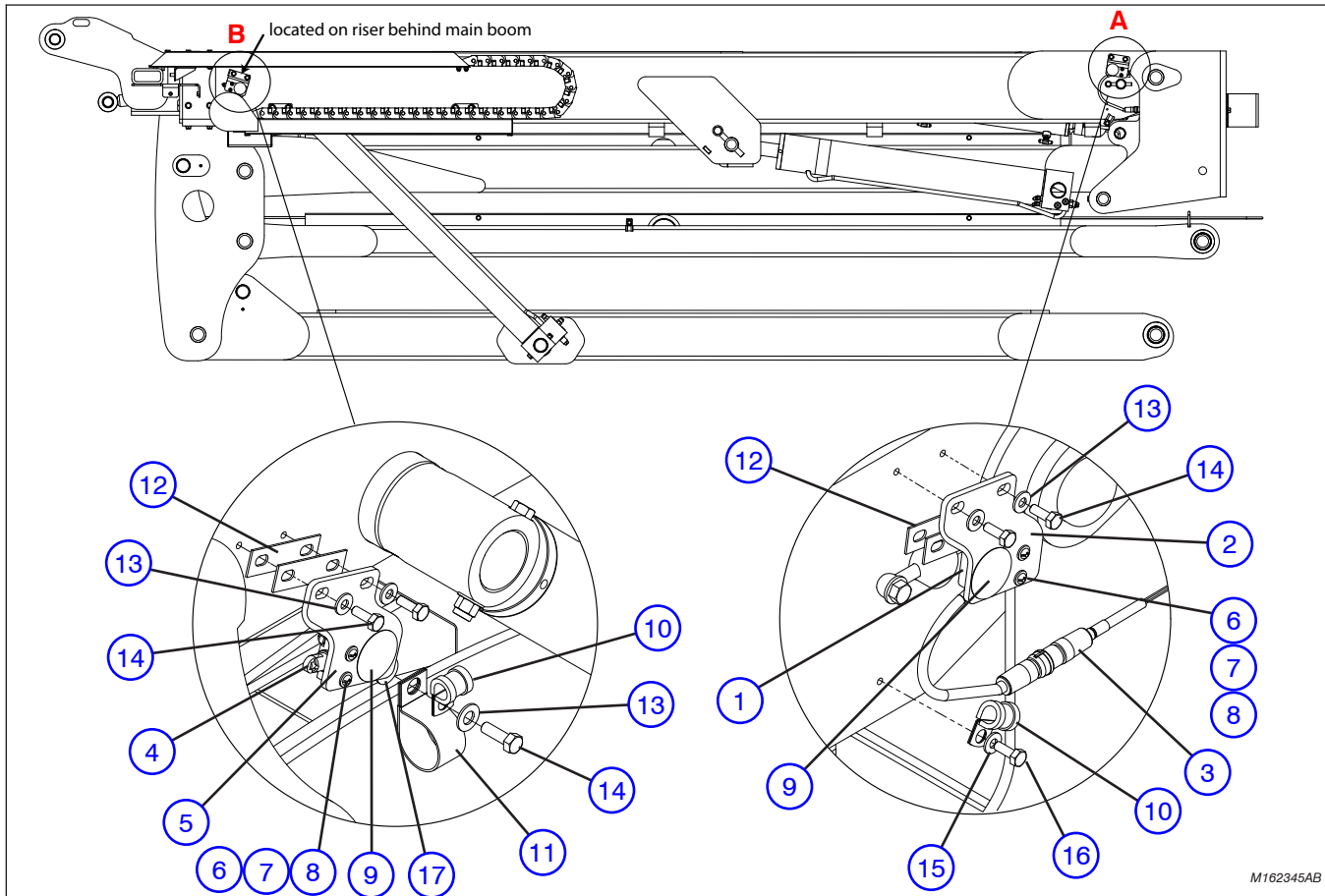


M162409AA

2.1 Main & Fly Boom Assembly

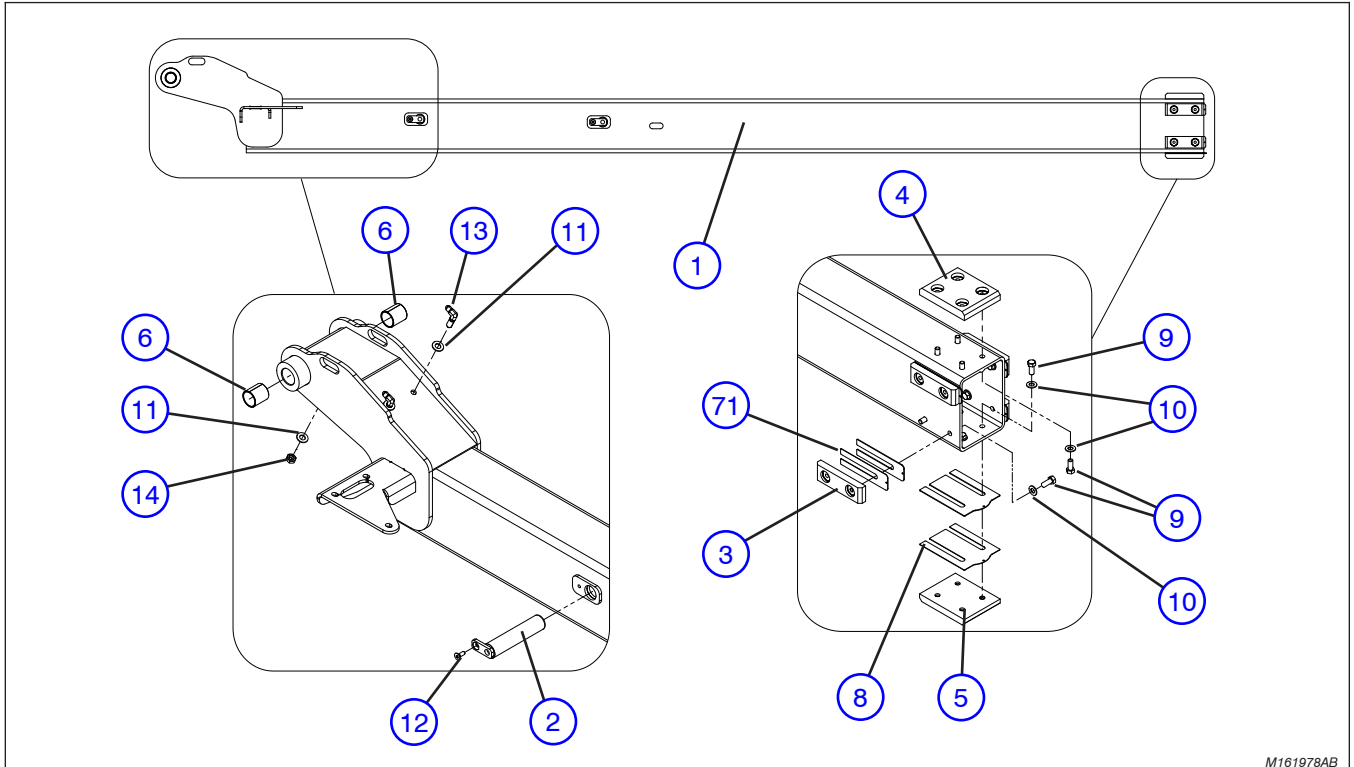
Index No.	Skyjack Part No.	Qty.	Description
			Parts list continued from the previous page.
31	(Ref.)	1	<ul style="list-style-type: none"> • MASTER CYLINDER (For components, refer to Section 3.5)
32	(Ref.)	1	<ul style="list-style-type: none"> • SLAVE CYLINDER (For components, refer to Section 3.6)
33	(Ref.)	1	<ul style="list-style-type: none"> • E-CHAIN HOSE KIT (Not Shown) (For components, refer to Section 8.2)

2.2 Main & Riser Boom Limit Switches



Index No.	Skyjack Part No.	Qty.	Description
-	162345	1	LIMIT SWITCH ASSEMBLY - MAIN AND RISER BOOM
A	162362	1	• BRACKET ASSEMBLY, Limit Switch
1	161582	1	• • SWITCH ASSEMBLY, Roller plunger
2	162363	1	• • BRACKET
3	162720	1	• • CORD, Switch
B	162370	1	• BRACKET ASSEMBLY, Limit Switch
4	111356	1	• • SWITCH, Limit, roller plunger
5	162363	1	• • BRACKET
6	152294	2	• • SCREW, Round head machine (#8-32 x 1.25"), A, B
7	138765	2	• • NUT, Hex head nylon lock (#8-32, Grade 5), A, B
8	103991	4	• • WASHER, Flat (#8), A, B
9	156613	1	• • LABEL, Do not alter, A, B
10	149495	2	• CLAMP, Tube (cushioned)
11	409187	1	• CLAMP, Hose (1-1/2")
12	161053	4	• SHIM
13	103995	5	• WASHER, Flat (1/4")
14	103856	5	• BOLT, Hex head (1/4"-20 x 0.75", Grade 5)
15	103472	2	• WASHER, Flat (3/8")
16	103864	1	• BOLT, Hex head (5/16"-18 x 1.00", Grade 5)
17	103984	1	• NUT, Hex head nylon lock (5/16"-18, Grade 5)

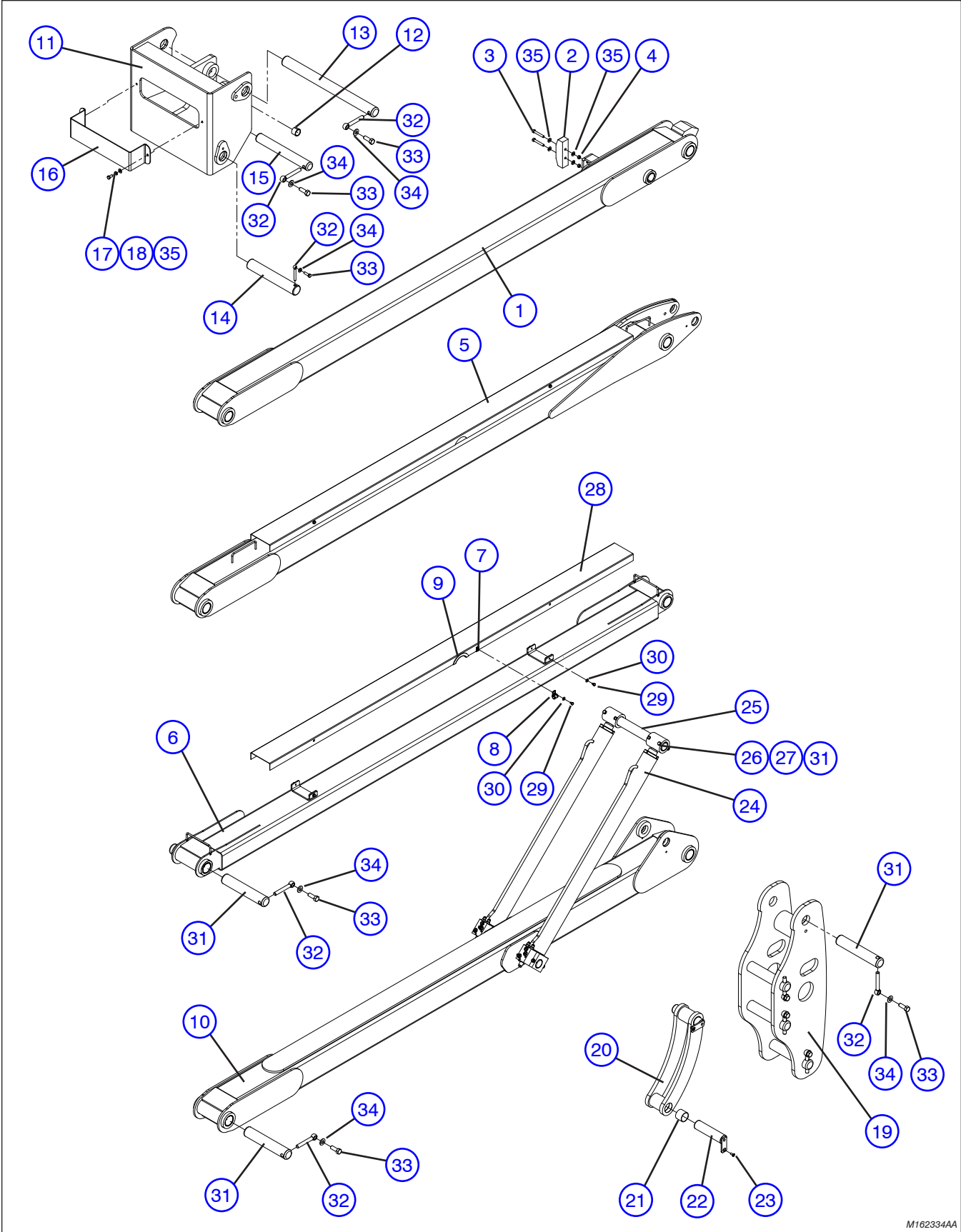
2.3 Fly Boom Assembly



M161978AB

Index No.	Skyjack Part No.	Qty.	Description
A	161978	1	FLY BOOM ASSEMBLY (46AJ)
B	162448	1	FLY BOOM ASSEMBLY (51AJ)
1	161986	1	• FLY BOOM WELDMENT, A
	162455	1	• FLY BOOM WELDMENT, B
2	148839	2	• PIN WELDMENT (1 1/4" diameter x 5 11/16")
3	148828	4	• PAD, Side
4	148826	1	• PAD, Top
5	148827	1	• PAD, Bottom
6	125262	2	• BUSHING, CJS 2024 (1.25" ID x 1.50" lg)
7	148837	AR	• SHIM, 16 Gauge (side)
	148838	AR	• SHIM, 20 Gauge (side)
8	148829	AR	• SHIM, 16 Gauge (bottom)
	148830	AR	• SHIM, 20 Gauge (bottom)
9	300437	16	• BOLT, Hex head (3/8"-16 x 7/8" Grade 5)
10	103472	24	• WASHER, Flat (3/8")
11	119313	4	• WASHER, Flat (7/16")
12	704642	2	• SCREW, Flat head cap (5/16"-18 x 3/4" Grade 5)
13	149418	2	• FITTING, Elbow 90° bulkhead (04 JICM - 04 JICM)
14	143963	2	• FITTING, Nut bulkhead (04 JIC)

2.4 Riser Boom Assembly

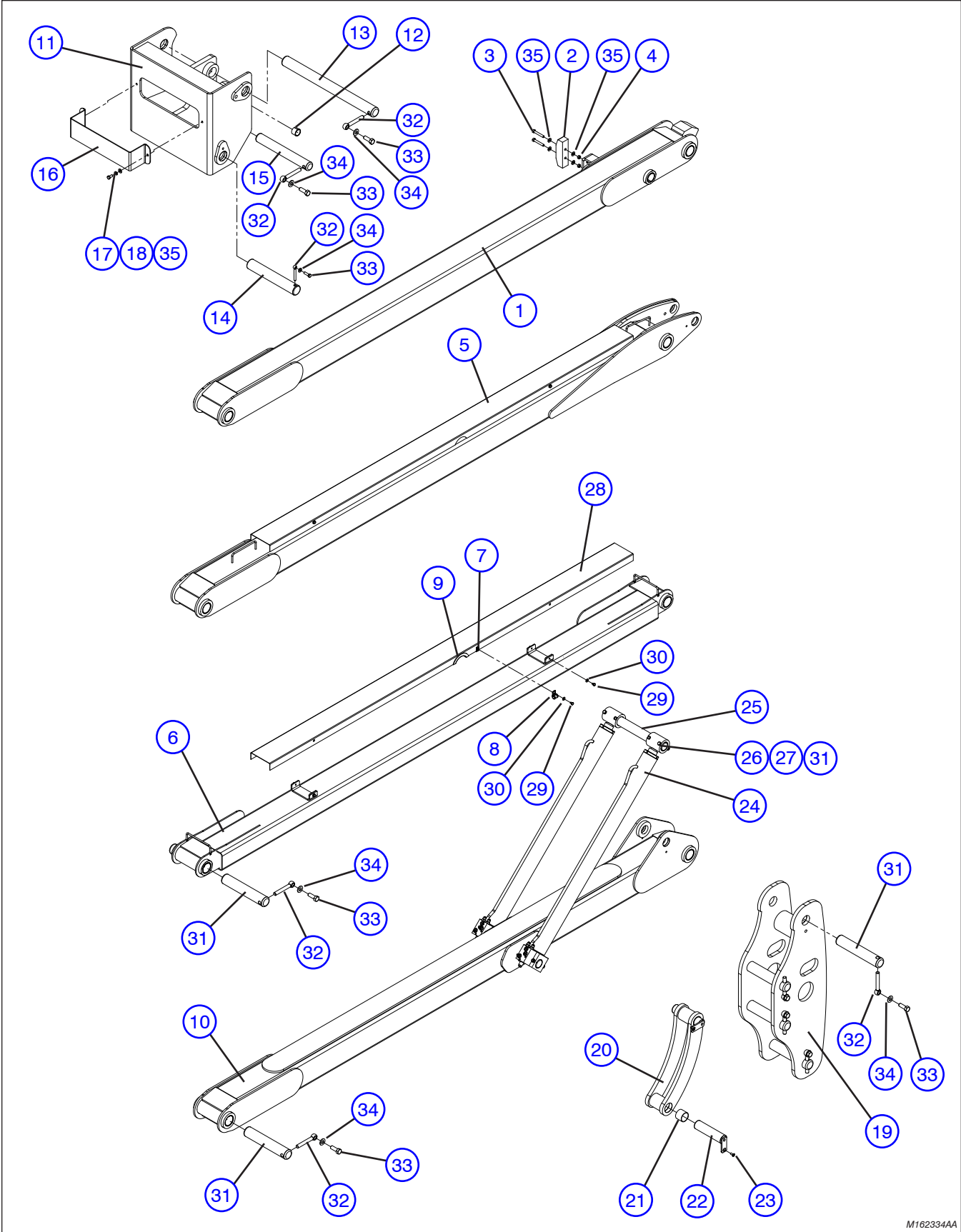


M162334AA

2.4 Riser Boom Assembly

Index No.	Skyjack Part No.	Qty.	Description
-	162334	1	RISER BOOM ASSEMBLY
-	162337	1	• UPPER RISER BOOM
1	162338	1	• • WELDMENT, Upper riser boom
	148861	2	• • BUSHING (1 3/4" ID x 2")
	148817	4	• • BUSHING (2" ID x 2")
2	152525	1	• • PAD, Bumper
3	103873	2	• • BOLT, Hex head (3/8"-16 x 2 1/2" Grade 5)
4	144238	2	• • NUT, Torque lock (3/8"-16, Grade C)
5	148786	1	• THIRD RISER BOOM
	148787	1	• • WELDMENT, Third riser boom
	148817	4	• • BUSHING (2" ID x 2")
-	148780	1	• SECOND RISER BOOM
6	148781	1	• • WELDMENT, Second riser boom
	148817	4	• • BUSHING (2" ID x 2")
7	152516	2	• • NUT RETAINER, J-Type (1/4"-20)
8	144129	2	• • CLIP, Single
9	117398	7.4"	• • TRIM, Protective
10	158763	1	• LOWER RISER BOOM
	158764	1	• • WELDMENT, Lower riser boom
	148861	2	• • BUSHING (1 3/4" ID x 2")
	148817	4	• • BUSHING (2" ID x 2")
-	162339	1	• UPPER PIVOT WELDMENT
11	169109	1	• • WELDMENT, Upper pivot
12	148847	1	• • BUSHING (1 1/4" ID x 1")
13	148823	1	• • PIN (2" diameter x 24.188")
14	169110	1	• • PIN (2" diameter x 12.375")
15	148824	1	• • PIN (2" diameter x 13.75")
16	148906	1	• • PLATE, Guard
17	101632	2	• • BOLT, Hex head (3/8"-16 x 3/4" Grade 5)
18	103999	2	• • WASHER, Lock (3/8")
-	162335	1	• LOWER PIVOT
19	162336	1	• • WELDMENT, Lower pivot
-	148813	1	• RISER LINK WELDMENT
20	148814	1	• • WELDMENT, Riser link
21	101564	6	• • BUSHING (1-3/4" ID x 1")
22	152319	2	• • PIN (1.75" diameter x 7")
23	704642	2	• • SCREW, Flat head cap (5/16"-18 x 3/4" Grade 5)
-	158769	1	• RISER LIFT CYLINDER ASSEMBLY
24	(Ref.)	2	• • CYLINDER, Riser lift (For components, refer to Section 3.4)
25	158770	2	• • PIN (1.75" diameter x 15.00")
			Parts list continued from the previous page.

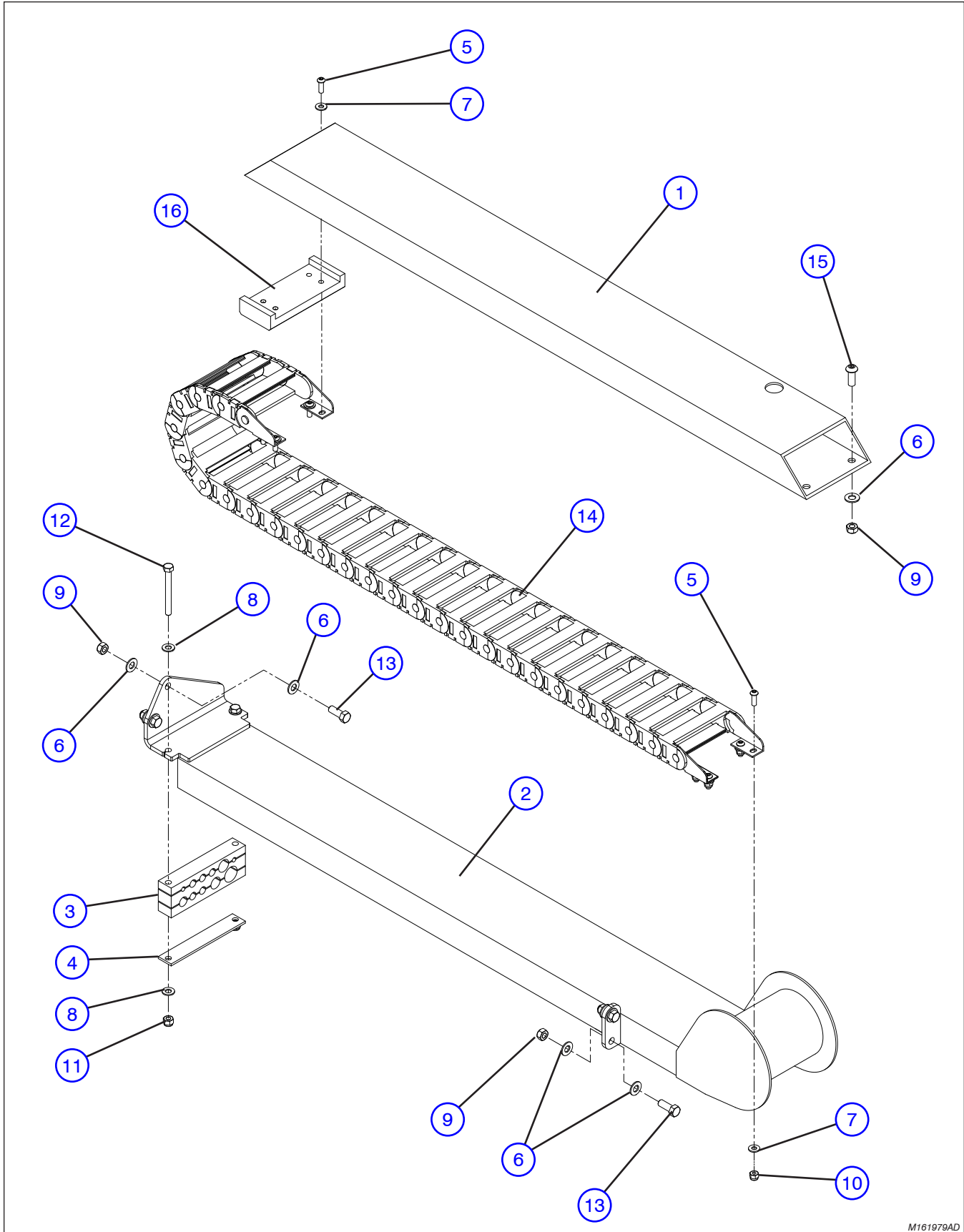
2.4 Riser Boom Assembly



M162334AA

2.4 Riser Boom Assembly

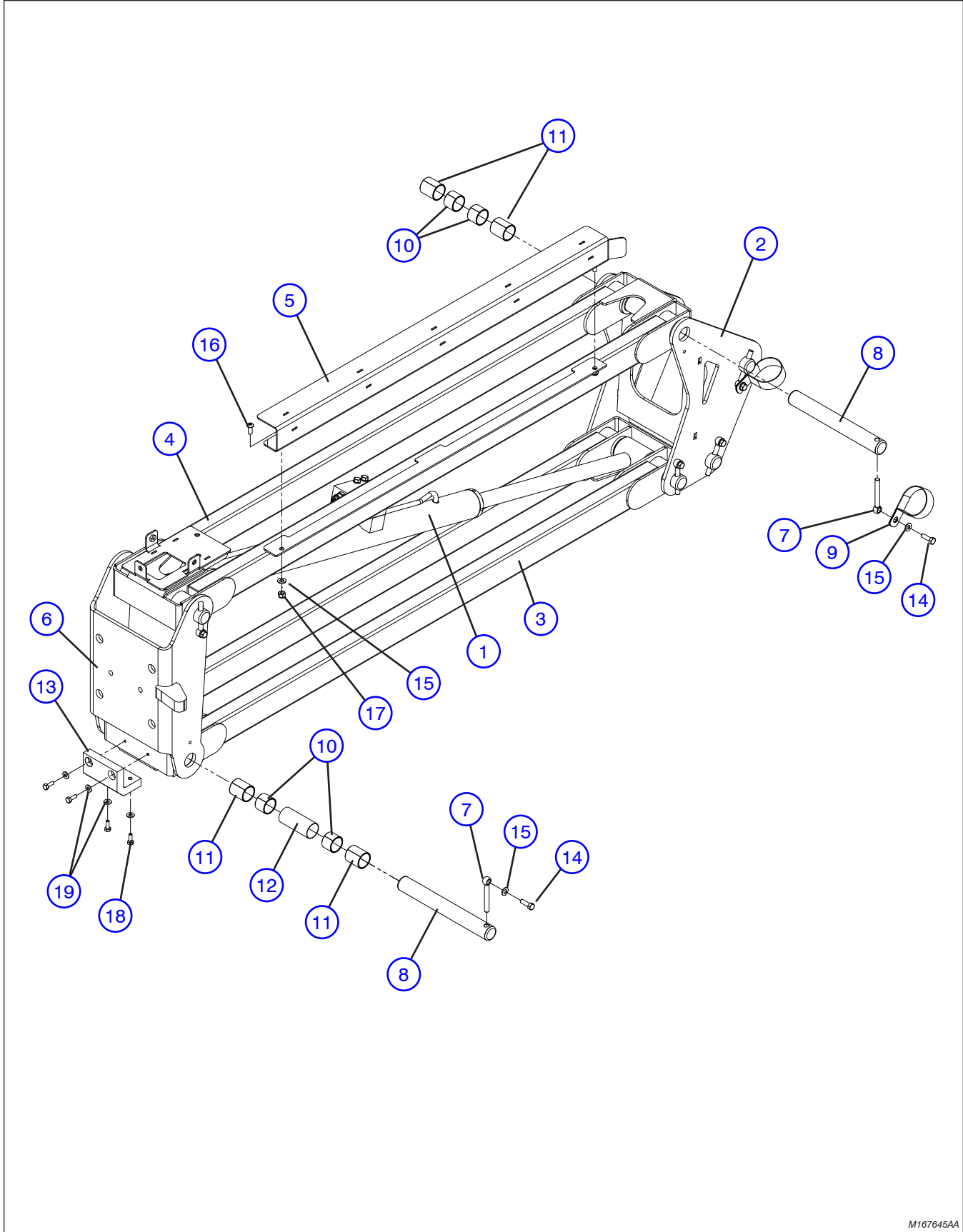
Index No.	Skyjack Part No.	Qty.	Description
			Parts list continued from the previous page.
26	103916	2	• • BOLT, Hex head (3/8"-16 x 3.25", Grade 5)
27	104606	4	• • NUT, Hex head nylon lock (3/8"-16, Grade 5)
28	148855	2	• COVER, Riser
29	112495	10	• BOLT, Hex head (1/4"-20 x 3/8" Grade 5)
30	103995	10	• WASHER, Flat hardened (1/4")
31	148819	6	• PIN (2" diameter x 11.063")
32	146898	9	• KEEPER PIN (5/8")
33	148944	9	• BOLT, Hex head patch (5/8"-11 x 1 3/4" Grade 8)
34	700782	9	• WASHER, Flat hardened (5/8")
35	103472	6	• WASHER, Flat (3/8")



M161979AD

Index No.	Skyjack Part No.	Qty.	Description
A	161979	1	E-CHAIN ASSEMBLY (SJ46AJ)
B	162449	1	E-CHAIN ASSEMBLY (SJ51AJ)
1	161990	1	• TUBE, E-chain upper, A
	162457	1	• TUBE, E-chain upper, B
2	161992	1	• TUBE, E-chain lower, A
	162459	1	• TUBE, E-chain lower, B
3	161993	1	• CLAMP, Hose
4	710210	1	• PLATE, Hose guide
5	139168	8	• SCREW, Button head cap (1/4"-20 x 0.75")
6	103472	11	• WASHER, Flat (3/8")
7	103995	8	• WASHER, Flat (1/4")
8	103996	4	• WASHER, Flat (5/16")
9	144238	7	• NUT, Torque lock (3/8"-16 Grade C)
10	115649	4	• NUT, Hex head nylon lock (1/4"-20 Grade 5)
11	103984	2	• NUT, Hex head nylon lock (5/16"-18 Grade 5)
12	103867	2	• BOLT, Hex head (5/16"-18 x 3.00" Grade 5)
13	103473	4	• BOLT, Hex head (3/8"-16 x 1.00" Grade 5)
14	168334	1	• E-CHAIN, 250 series, 26 links, A
	168335	1	• E-CHAIN, 250 series, 35 links, B
	210078	1	• • MOUNTING BRACKET SET
	210077	A/R	• • LINK, E-Chain
	210074	A/R	• • SEPARATOR, E-Chain
15	103949	3	• SCREW, Button head cap (3/8"-16 x 1.00")
16	196488	1	• PAD, Wear

2.6 Jib Boom Assembly

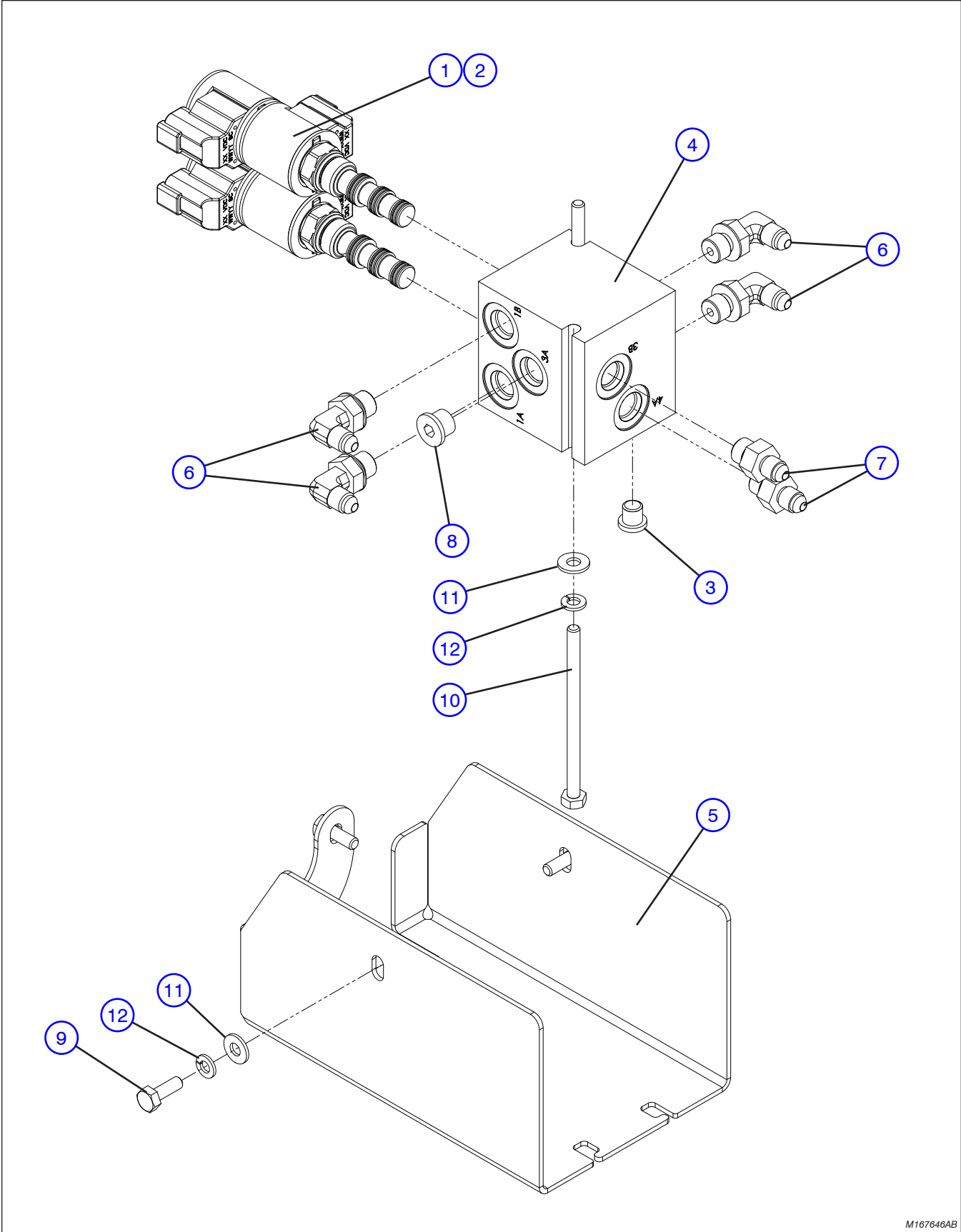


M167645AA

2.6 Jib Boom Assembly

Index No.	Skyjack Part No.	Qty.	Description
-	167645	-	JIB BOOM ASSEMBLY
1	(Ref.)	-	<ul style="list-style-type: none"> JIB CYLINDER ASSEMBLY (For components, refer to Section 3.7)
2	148876	1	<ul style="list-style-type: none"> BRACKET, Jib mount
3	148881	1	<ul style="list-style-type: none"> WELDMENT, Lower arm
4	167648	1	<ul style="list-style-type: none"> WELDMENT, Upper arm
5	148891	1	<ul style="list-style-type: none"> COVER, Hose
6	167659	1	<ul style="list-style-type: none"> BRACKET, Platform mount
7	146897	6	<ul style="list-style-type: none"> KEEPER PIN (3/8")
8	148890	6	<ul style="list-style-type: none"> PIN (1 1/4" diameter x 10 3/16")
9	143987	2	<ul style="list-style-type: none"> CLAMP (2 1/2")
10	148847	8	<ul style="list-style-type: none"> BUSHING (1 1/4" ID x 1")
11	125262	8	<ul style="list-style-type: none"> BUSHING (1 1/4" ID x 1 1/2")
12	148920	2	<ul style="list-style-type: none"> SPACER
13	148936	1	<ul style="list-style-type: none"> PAD, Wear
14	148943	6	<ul style="list-style-type: none"> BOLT, Hex head patch (5/16"-18 x 1" Grade 8)
15	103996	8	<ul style="list-style-type: none"> WASHER, Flat (5/16")
16	300064	2	<ul style="list-style-type: none"> SCREW, Button head cap (5/16"-18 x 3/4")
17	103984	2	<ul style="list-style-type: none"> NUT, Hex lock (5/16"-18 Grade 5, nylon)
18	103856	4	<ul style="list-style-type: none"> BOLT, Hex head (1/4"-20 x 3/4" Grade 5)
19	103995	4	<ul style="list-style-type: none"> WASHER, Flat (1/4")

2.7 Jib Manifold

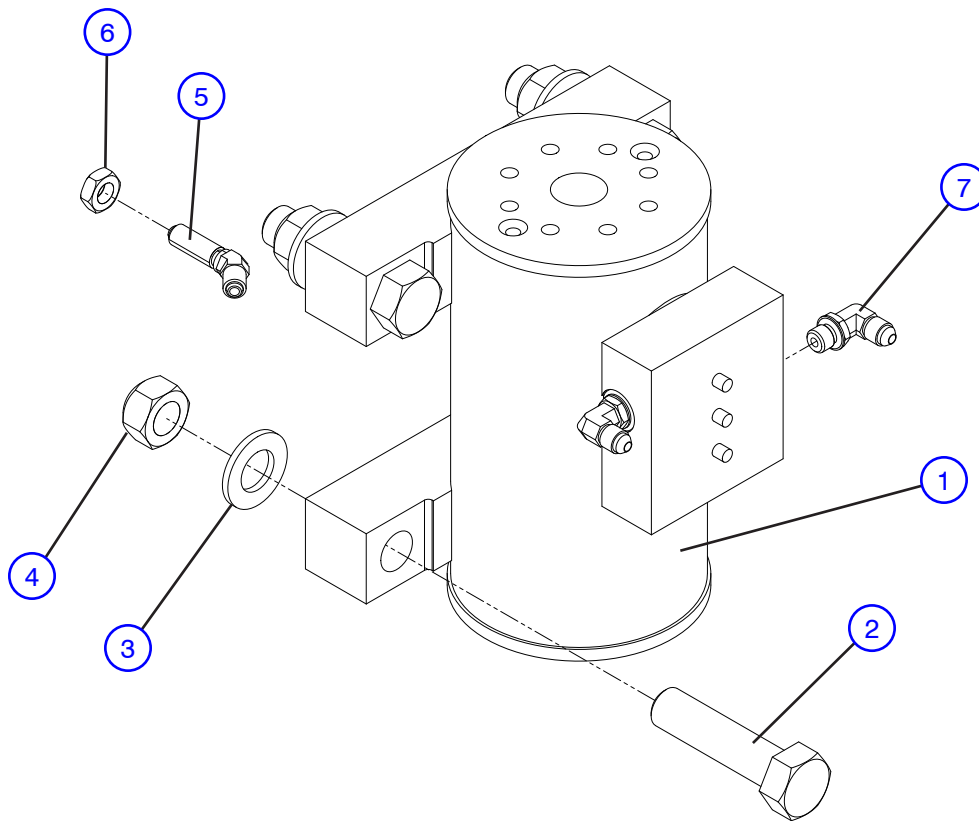


M167846AB

2.7 Jib Manifold

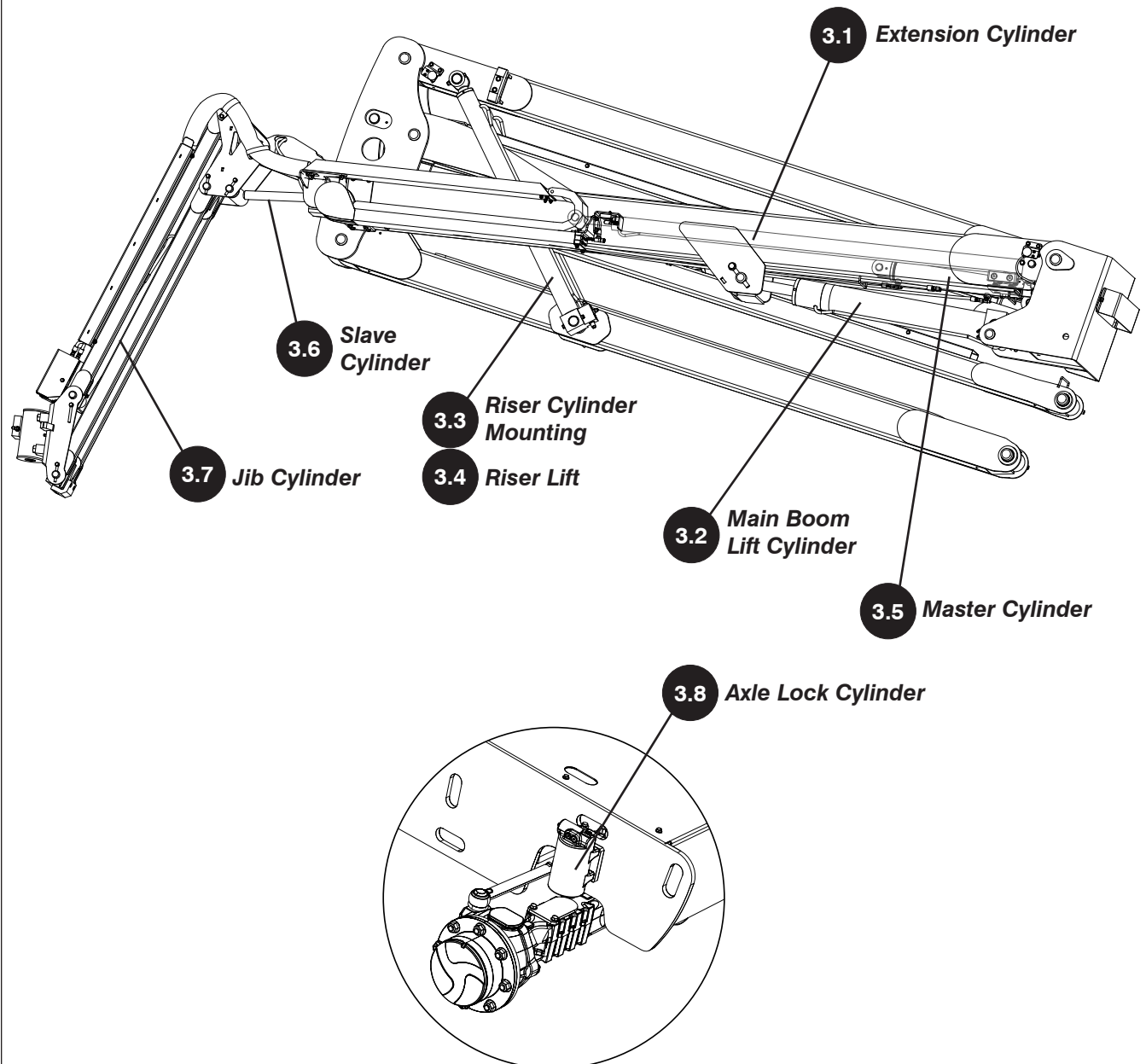
Index No.	Skyjack Part No.	Qty.	Description
-	167646	-	JIB MANIFOLD ASSEMBLY
-	162497	-	• MANIFOLD ASSEMBLY, Jib/Platform rotate
1	166036	2	• • SV08-47D-0-N-00
2	159821	4	• • COIL 4304012
3	121250	2	• • PORT PLUG 6103004
4	166071	1	• • BLOCK
5	167649	1	• COVER, Valve
6	129127	4	• FITTING, Elbow, 90° (04 JICM - 06 ORBM)
7	701956	2	• FITTING, Straight (04 JICM - 06 ORBM)
8	104437	1	• FITTING, Plug (06 ORBM)
9	103856	3	• BOLT, Hex head (0.25"-20 x 0.75" Grade 5)
10	120738	2	• BOLT, Hex head (0.25"-20 x 4.00" Grade 5)
11	103995	5	• WASHER, Flat (1/4")
12	104000	5	• WASHER, Lock (1/4")

2.8 Rotary Actuator

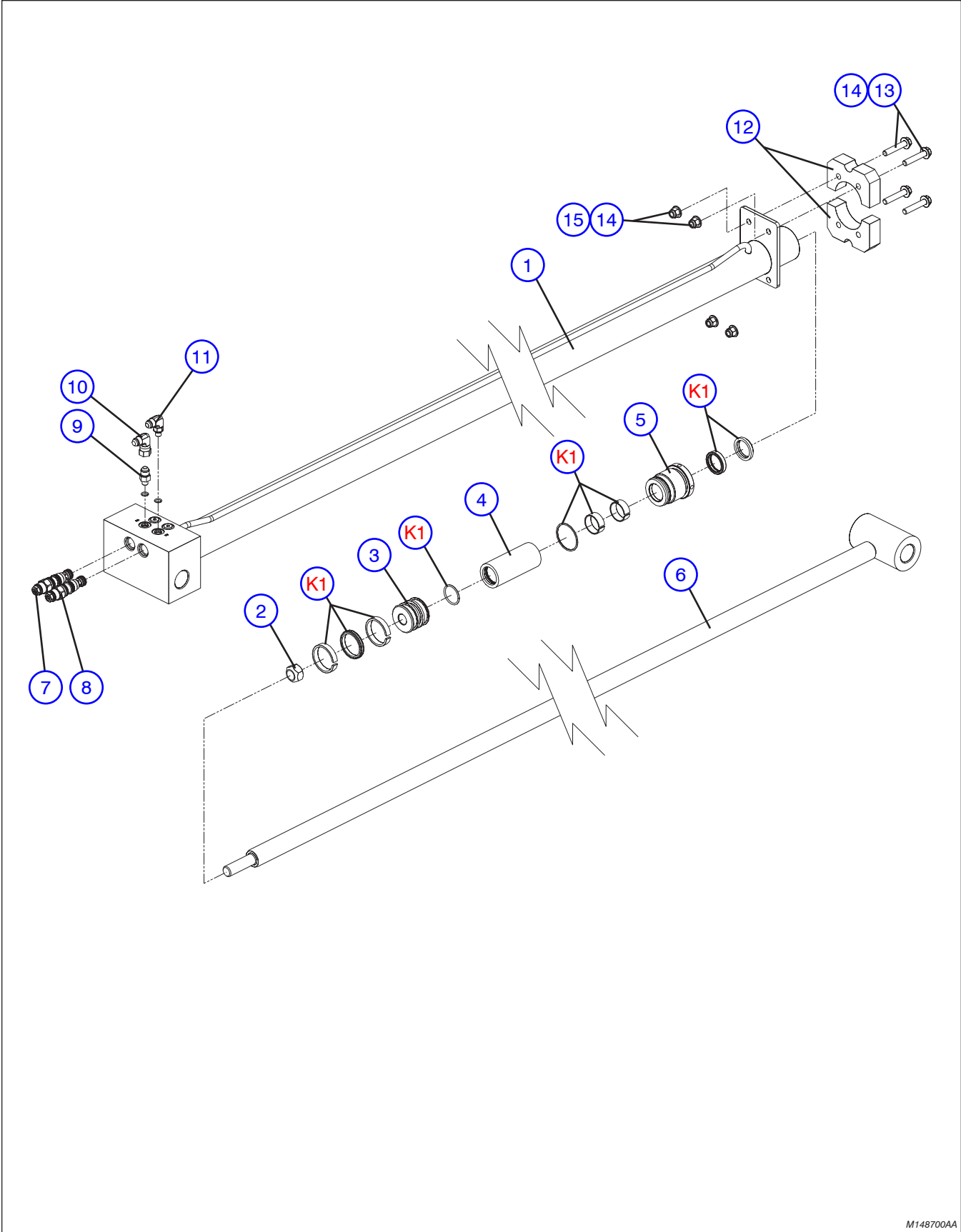


M1467687AA

Index No.	Skyjack Part No.	Qty.	Description
-	167687	-	ROTARY ACTUATOR
1	144710	1	ACTUATOR, Rotary
2	103894	4	BOLT, Hex head (3/4"-10 x 3" Grade 8)
3	702194	4	WASHER, Flat (3/4")
4	700575	4	NUT, Crownlock (3/4"-10 Grade 8)
5	167686	2	FITTING, Elbow 45° bulkhead (04 JICM - 04 JICM)
6	143963	2	FITTING, Nut bulkhead (04)
7	125883	2	FITTING, 90° (04 JICM - 04 ORBM)
K	144709	1	KIT, Seal repair (Rotary Actuator) (Not Shown)



3.1 Extension Cylinder

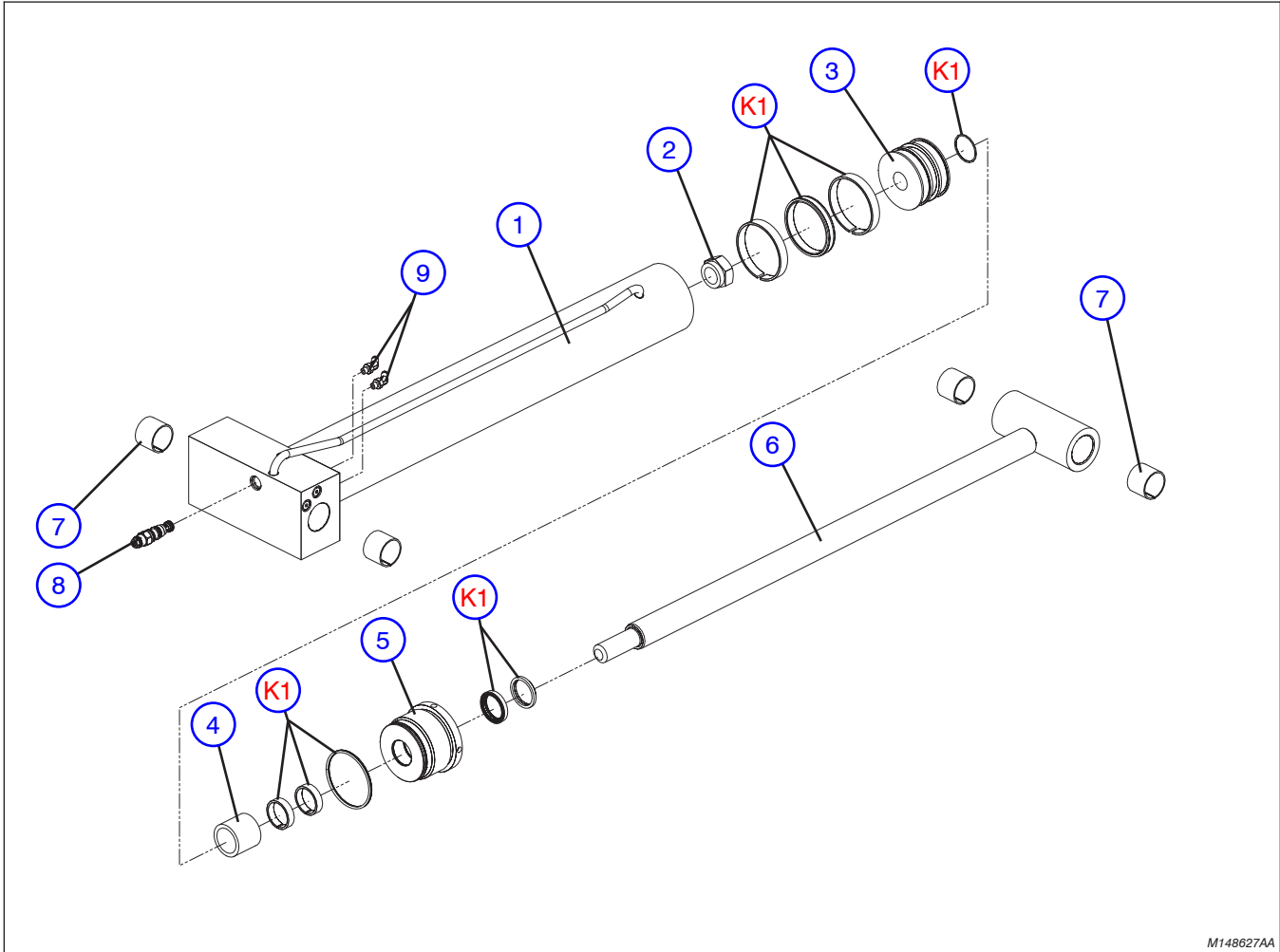


M148700AA

3.1 Extension Cylinder

Index No.	Skyjack Part No.	Qty.	Description
A	148700	-	EXTENSION CYLINDER (SJ 46AJ)
B	148699	-	EXTENSION CYLINDER (SJ 51AJ)
-	148712	-	• EXTENSION CYLINDER, A
-	148713	-	• EXTENSION CYLINDER, B
1	154547	1	• • WELDMENT, Tube, A
	154538	1	• • WELDMENT, Tube, B
2	154539	1	• • NUT, Rod
3	154543	1	• • PISTON
4	154546	1	• • STOP SLEEVE
5	154544	1	• • GLAND
6	154548	1	• • WELDMENT, Rod, A
	154540	1	• • WELDMENT, Rod, B
7	141453	1	• • VALVE, Counterbalance (1000 psi)
8	149228	1	• • VALVE, Counterbalance (3000 psi)
9	128869	1	• FITTING, Straight (06 JICM - 06 ORBM)
10	702761	1	• FITTING, Elbow 90° (06 JICM - 06 JICFSW)
11	113348	1	• FITTING, Elbow 90° (06 JICM - 06 ORBM)
12	152417	2	• PAD, Wear
13	103596	4	• BOLT, Hex head (3/8"-16 x 2" Grade 5)
14	103472	8	• WASHER, Flat (3/8")
15	104606	4	• NUT, Hex lock (3/8"-16 Grade 5, nylon)
K1	154537	1	KIT, Seal, A
	154655	1	KIT, Seal, B

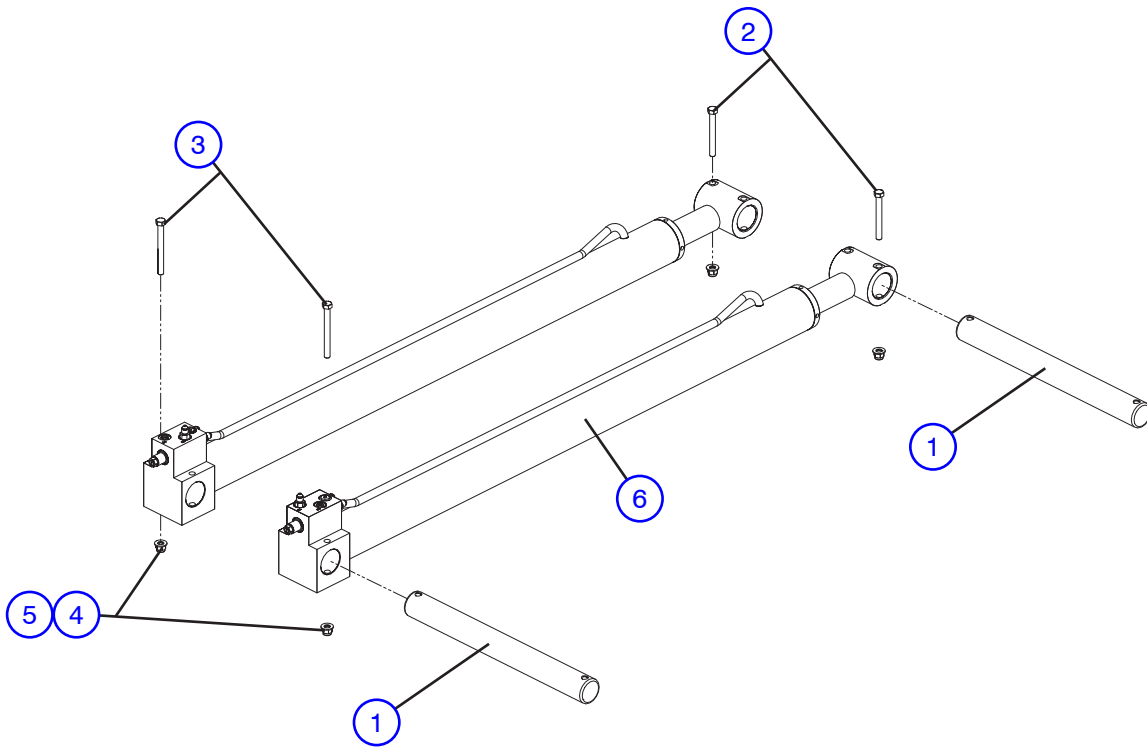
3.2 Main Boom Lift Cylinder



M148627AA

Index No.	Skyjack Part No.	Qty.	Description
-	148627	-	MAIN BOOM LIFT CYLINDER ASSEMBLY
-	148711	1	• MAIN BOOM LIFT CYLINDER
1	154529	1	• • WELDMENT, Tube
2	154530	1	• • NUT, Rod
3	154534	1	• • PISTON
4	154536	1	• • SPACER
5	154535	1	• • GLAND
6	154531	1	• • WELDMENT, Rod
7	154533	4	• • BEARING
8	152326	1	• • VALVE, Counterbalance
9	131716	2	• FITTING, Elbow 45° (04 JICM - 04 ORBM)
K1	154528	1	KIT, Seal

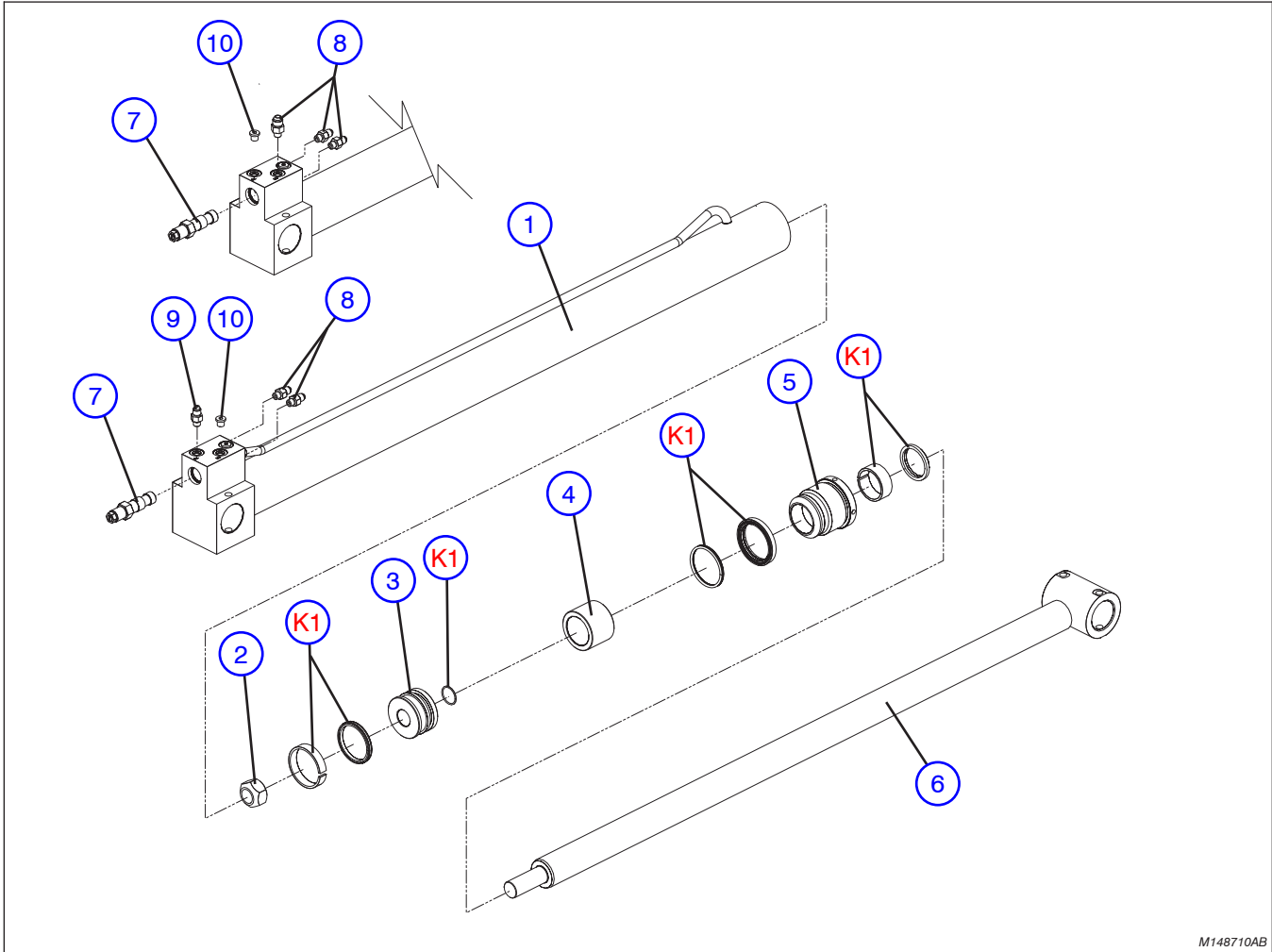
3.3 Riser Cylinder Mounting



M148619AA

Index No.	Skyjack Part No.	Qty.	Description
1	158770	2	PIN (1 3/4" diameter x 15")
2	103916	2	BOLT, Hex head (3/8"-16 x 3 1/4" Grade 5)
3	152350	2	BOLT, Hex head (3/8"-16 x 4" Grade 5)
4	103472	4	WASHER, Flat (3/8")
5	104606	4	NUT, Hex lock (3/8"-16 Grade 5, nylon)
6	(Ref.)	-	RISER CYLINDER ASSEMBLY (For components, refer to Section 3.4)

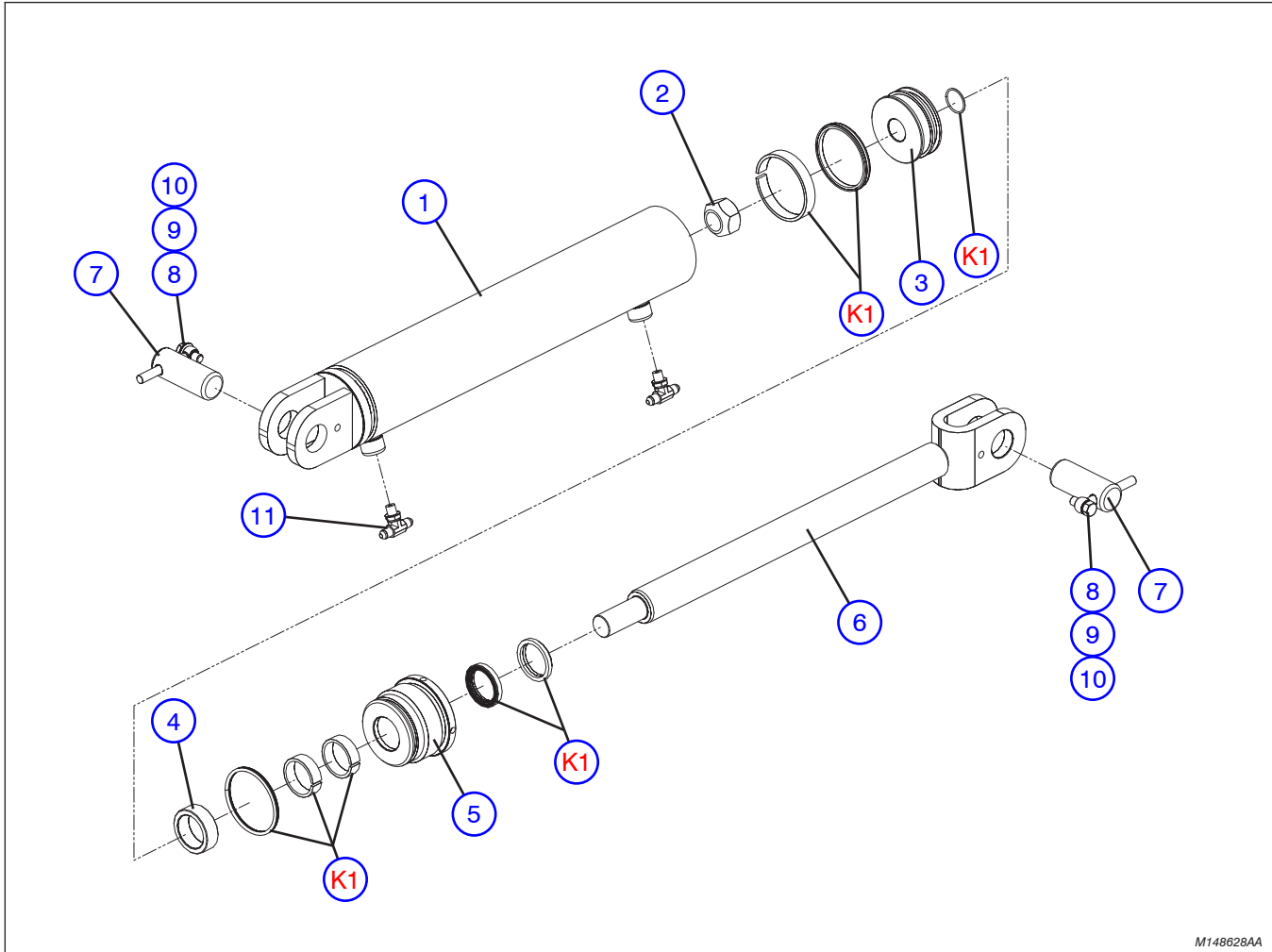
3.4 Riser Cylinder



M148710AB

Index No.	Skyjack Part No.	Qty.	Description
-	148710	2	RISER CYLINDER ASSEMBLY
1	154563	1	• WELDMENT, Tube
2	152256	1	• NUT, Rod
3	154566	1	• PISTON
4	154568	1	• TUBE STOP
5	154567	1	• GLAND
6	154564	1	• WELDMENT, Rod
7	149488	1	• VALVE, Counterbalance
8	128869	5	FITTING, Straight (06 JICM - 04 ORBM)
9	126128	1	FITTING, Straight (04 JICM - 04 ORBM)
10	121250	2	PLUG, Hex socket (04 ORBM)
K1	154562	1	KIT, Seal

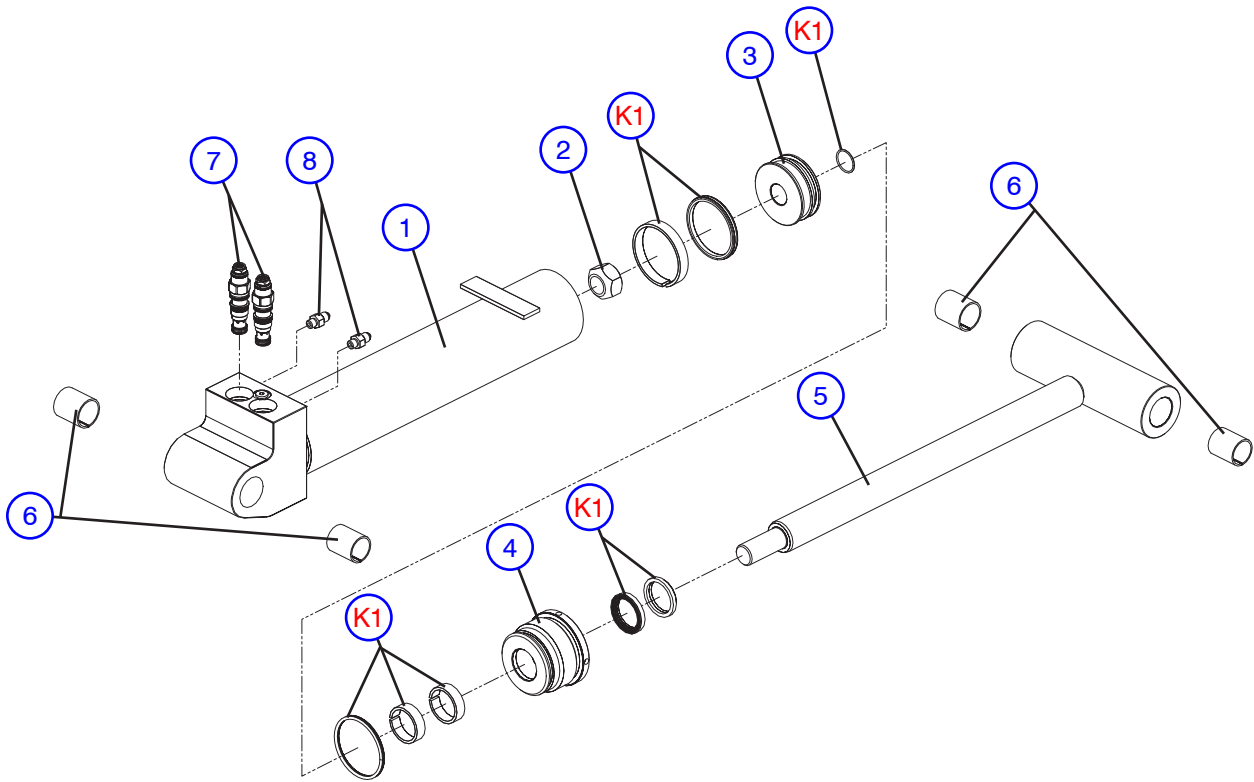
3.5 Master Cylinder



M148628AA

Index No.	Skyjack Part No.	Qty.	Description
-	148628	-	MASTER CYLINDER ASSEMBLY
-	148715	1	• MASTER CYLINDER
1	154525	1	• • WELDMENT, Tube
2	152256	1	• • NUT, Rod
3	154522	1	• • PISTON
4	154527	1	• • TUBE STOP
5	154523	1	• • GLAND
6	154526	1	• • WELDMENT, Rod
7	148846	2	• PIN (1 1/4" diameter x 3 1/8")
8	146897	2	• KEEPER PIN (3/8")
9	139193	2	• BOLT, Hex head patch (3/8"-16 x 7/8" Grade 8, ZP)
10	103472	2	• WASHER, Flat (3/8")
11	132463	2	• FITTING, Tee (04MJ04MB04MJ)
K1	154524	1	KIT, Seal

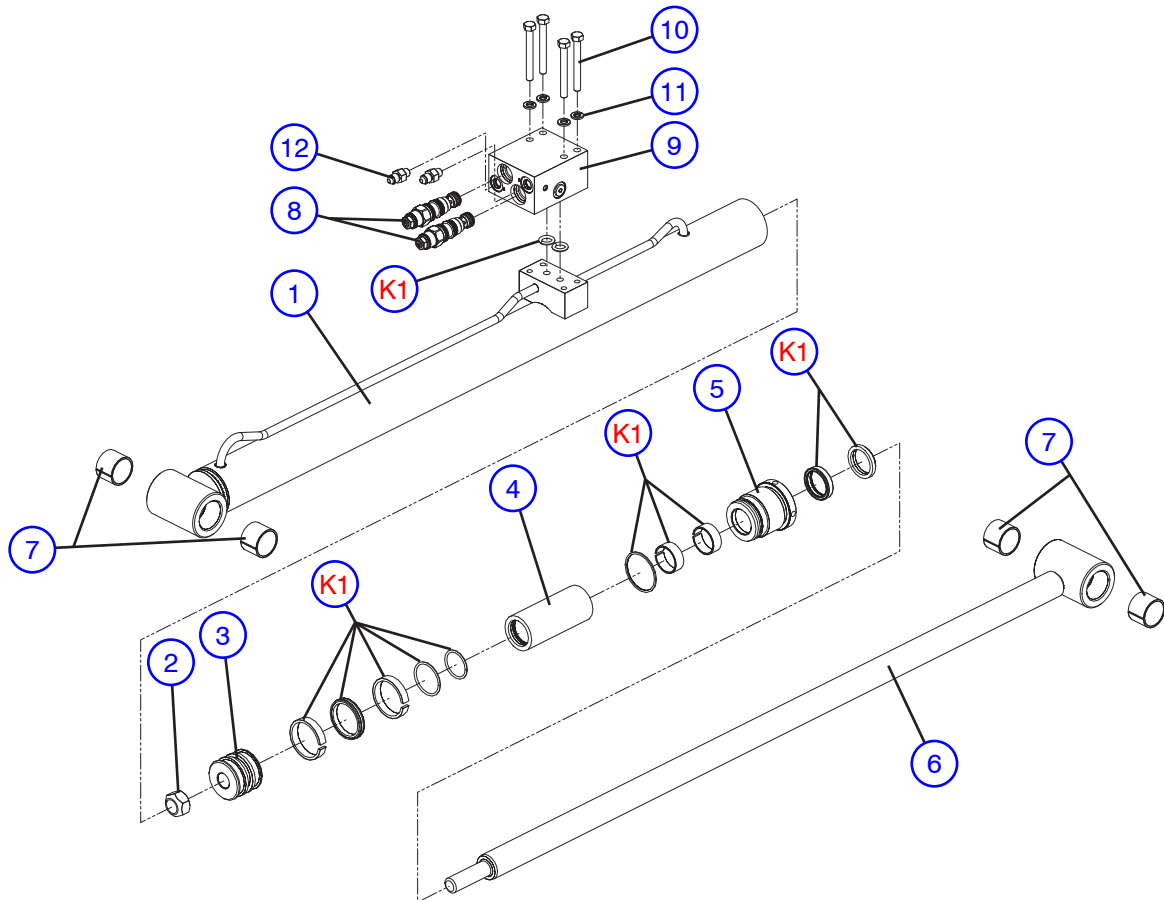
3.6 Slave Cylinder



M148629AA

Index No.	Skyjack Part No.	Qty.	Description
-	148629	-	SLAVE CYLINDER ASSEMBLY
-	148716	1	• SLAVE CYLINDER
1	152255	1	• • WELDMENT, Tube
2	152256	1	• • NUT, Rod
3	154522	1	• • PISTON
4	154523	1	• • GLAND
5	154519	1	• • WELDMENT, Rod
6	154521	4	• • BEARING
7	701827	1	• • VALVE, Counterbalance
8	126128	2	• FITTING, Straight (04 JICM - 04 ORBM)
K1	152254	1	KIT, Seal

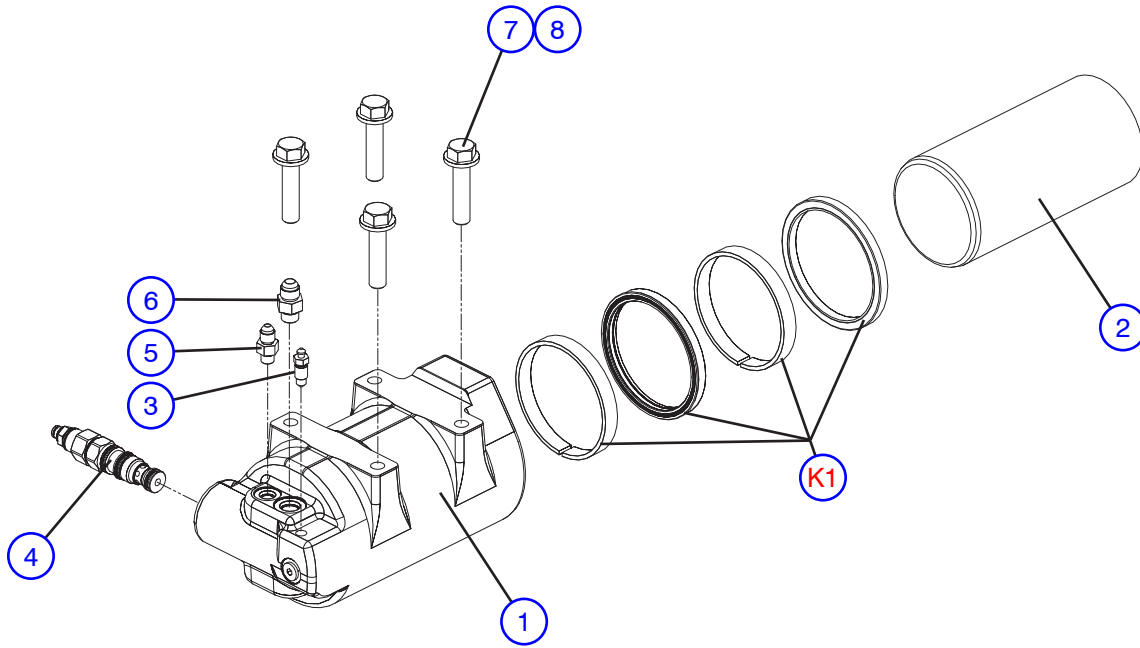
3.7 Jib Cylinder



M148714AB

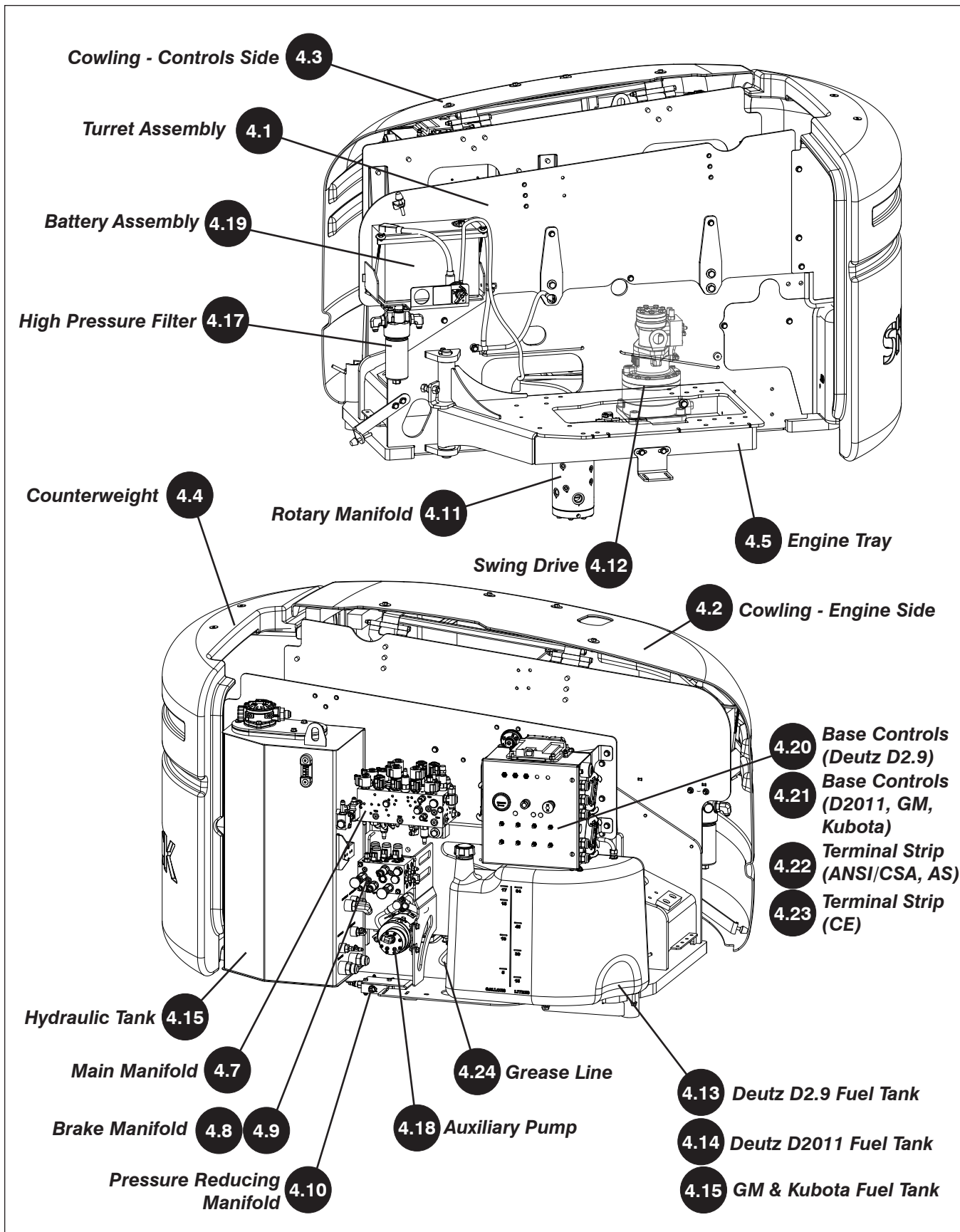
Index No.	Skyjack Part No.	Qty.	Description
-	148714	-	JIB CYLINDER ASSEMBLY
1	154550	1	• WELDMENT, Tube
2	154539	1	• NUT, Rod
3	154543	1	• PISTON
4	154546	1	• STOP SLEEVE
5	154544	1	• GLAND
6	154551	1	• WELDMENT, Rod
7	154553	4	• BEARING
8	149372	1	• VALVE, Counterbalance
9	154556	1	• BLOCK, Manifold
10	154554	4	• BOLT, Hex head (5/16"-18 x 2 3/4" Grade 5, zinc)
11	154555	4	• WASHER, Flat zinc (5/16")
12	126128	2	• FITTING, Straight (04 JICM - 04 ORBM)
K1	154549	1	KIT, Seal

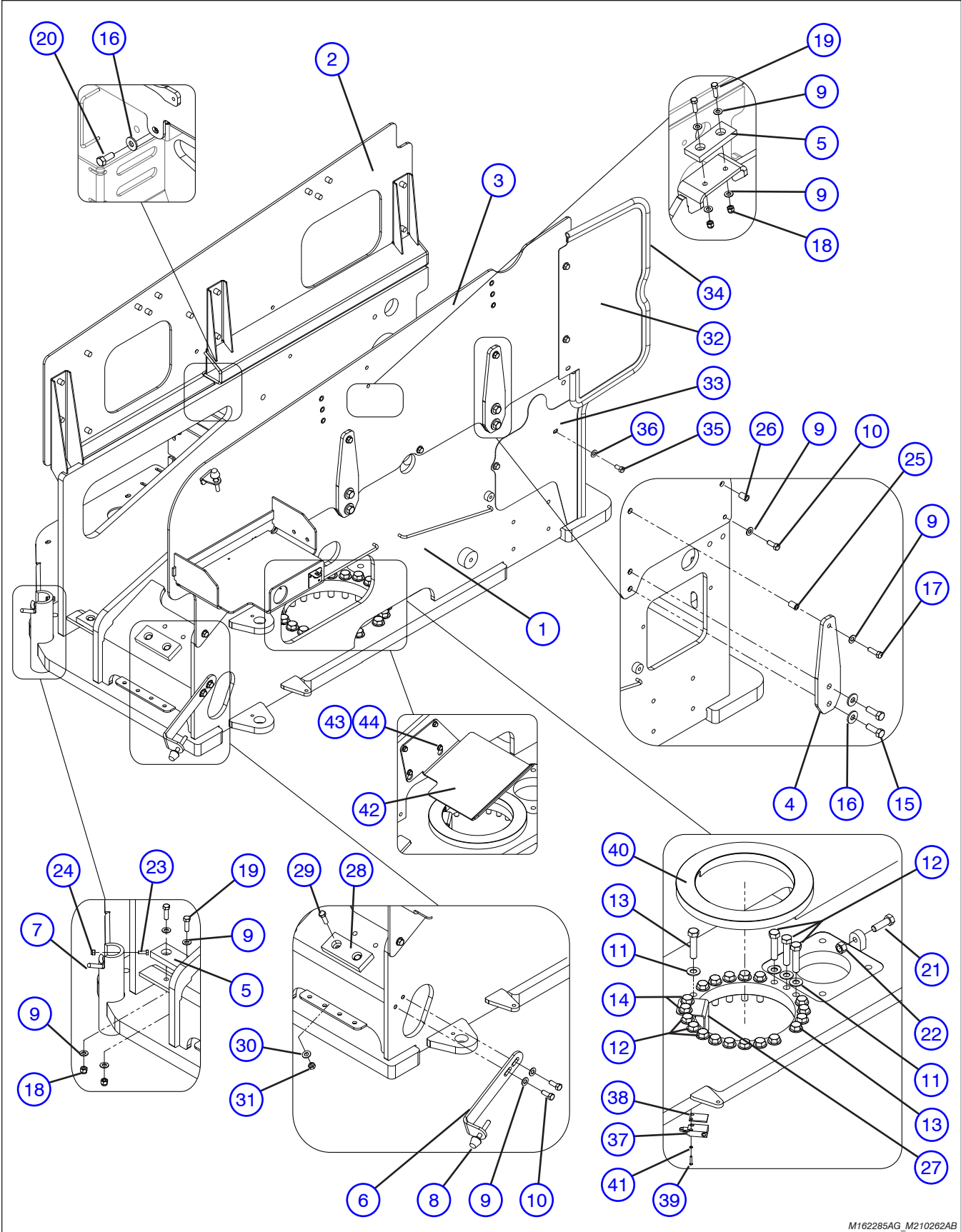
3.8 Axle Lock Cylinder



M148709AC

Index No.	Skyjack Part No.	Qty.	Description
-	161095	-	AXLE LOCK CYLINDER ASSEMBLY
1	154558	1	• WELDMENT, Tube
2	154559	1	• ROD
3	154561	1	• SCREW, Bleed
4	160028	1	• VALVE, Counterbalance
5	126128	1	FITTING, Straight (04 JICM - 04 ORBM)
6	103069	1	FITTING, Straight (06 JICM - 06 ORBM)
7	106447	4	BOLT, Hex head (1/2"-13 x 2 1/4" Grade 8)
8	104379	4	WASHER, Flat hardened (1/2")
K1	154557	1	KIT, Seal



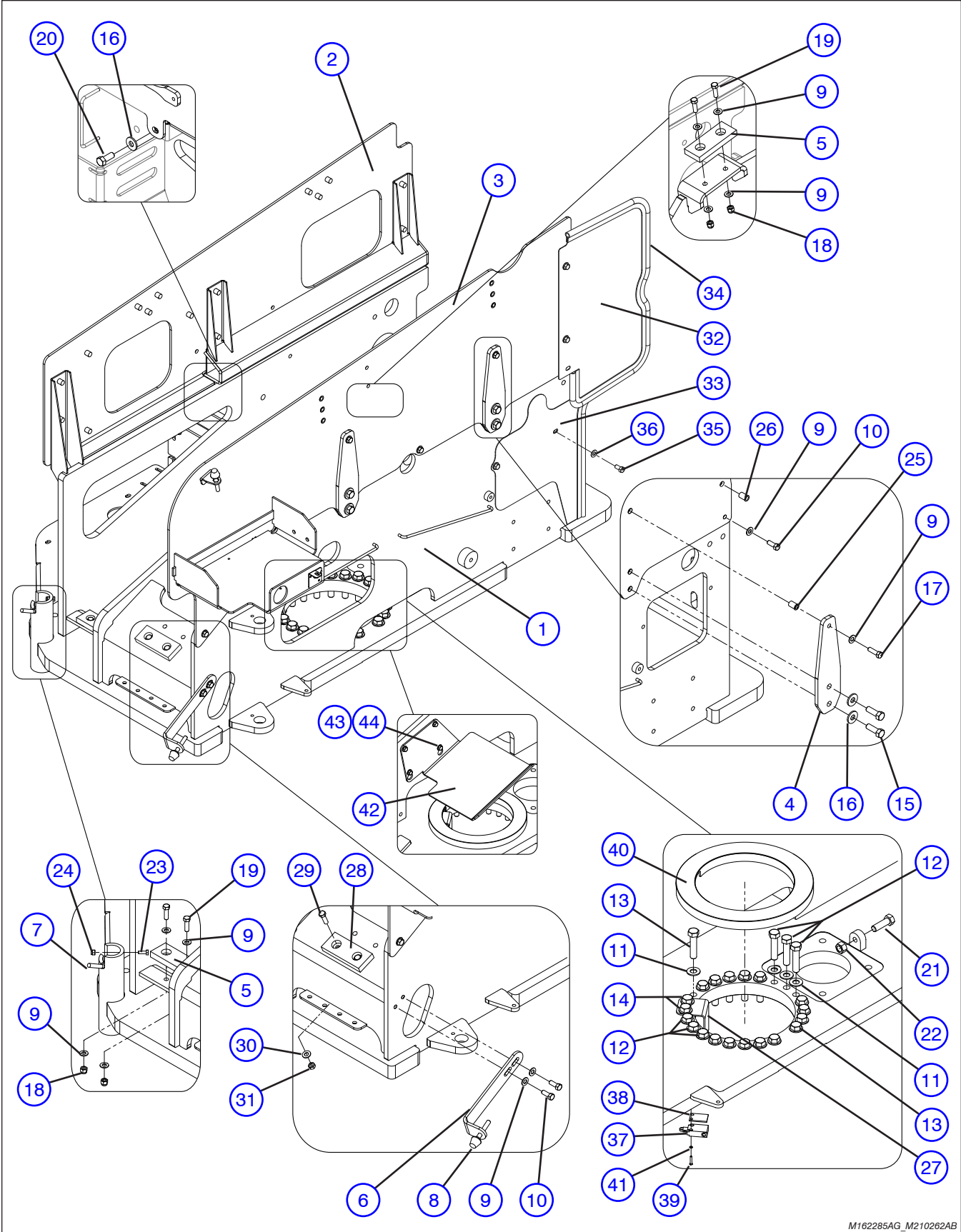


M162285AG_M210262AB

Index No.	Skyjack Part No.	Qty.	Description
A	210262	1	TURRET ASSEMBLY - serial number 95 002 085 & above
B	168154	1	TURRET ASSEMBLY - serial number 95 002 084 & below
1	210263	1	• WELDMENT, Turret, A
	162289	1	• WELDMENT, Turret, B
2	162290	1	• PLATE, Turret - upper left
3	162291	1	• PLATE, Turret - upper right
4	162292	2	• PLATE, Stiffener - turret
5	162293	2	• PAD, Guide (5.00" x 2.00" x 0.625")
6	162294	1	• BRACKET, Bumper - lower cowling
7	159483	1	• PIN, Transportation locking
8	116494	2	• BUMPER, Engine guard
9	103472	25	• WASHER, Lock (3/8")
10	103473	15	• BOLT, Hex head (3/8"-16 x 1" Grade 5)
11	700782	23	• WASHER, Flat hardened (5/8")
12	103895	6	• BOLT, Hex head (5/8"-11 x 3" Grade 8), A
	100844	6	• BOLT, Hex head (5/8"-11 x 2 3/4" Grade 8), B
13	103895	15	• BOLT, Hex head (5/8"-11 x 3" Grade 8), A
	100844	15	• BOLT, Hex head (5/8"-11 x 2 3/4" Grade 8), B
14	103895	2	• BOLT, Hex head (5/8"-11 x 3" Grade 8), A
	100844	2	• BOLT, Hex head (5/8"-11 x 2 3/4" Grade 8), B
15	103907	4	• BOLT, Hex head (1/2"-13 x 1.5" Grade 5)
16	103468	5	• WASHER, Flat (1/2" SAE AA)
17	117430	2	• BOLT, Hex head (3/8"-16 x 1.25" Grade 8)
18	104606	4	• NUT, Hex head nylon lock (3/8"-16 Grade 5)
19	101297	4	• BOLT, Hex head (3/8"-16 x 1 1/4" Grade 5)
20	103910	1	• BOLT, Hex head (1/2"-13 x 1.25" Grade 8)
21	103897	1	• BOLT, Hex head (5/8"-11 x 2" Grade 5)
22	103981	1	• NUT, Hex head (5/8"-11 Grade 5)
23	103856	1	• BOLT, Hex head (1/4"-20 x 0.75" Grade 5)
24	115649	1	• NUT, Hex head nylon lock (1/4"-20 Grade 5)
25	167459	19	• INSERT, 3/8"-16 AK series (0.150"-0.312")
26	167460	7	• INSERT, 3/8"-16 AK series (0.027"-0.150")
27	211208	1	• BRACKET, Limit switch, A
28	162293	1	PAD, Guide (5.00" x 2.00" x 0.625")
29	101297	2	BOLT, Hex head (0.375"-16 x 1.25" Grade 5)
30	103472	2	WASHER, Flat (0.375")
31	144238	2	NUT, Torque lock (0.375"-16 Grade C)
32	168619	1	SHROUD, Upper (46AJ)
	168623	1	SHROUD, Upper (51AJ)
33	168622	1	SHROUD, Lower (46AJ)
	168624	1	SHROUD, Lower (51AJ)
			Parts list continued on the next page.

4.1 Turret Assembly

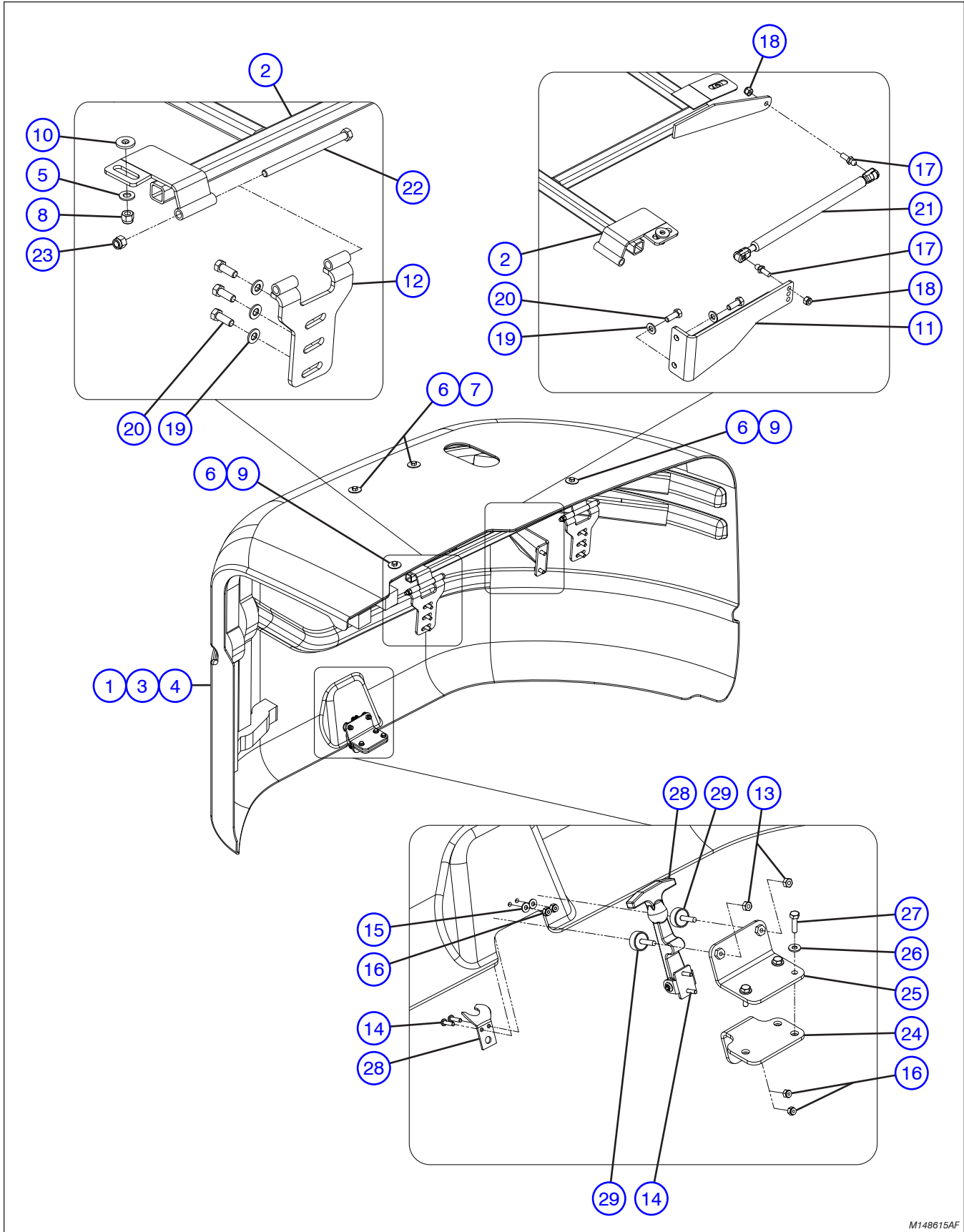
AE



M162285AG_M210262AB

Index No.	Skyjack Part No.	Qty.	Description
			Parts list continued from the previous page.
34	137625	62"	SEAL, Bulb (46AJ)
	137625	58"	SEAL, Bulb (51AJ)
35	101632	4	BOLT, Hex head (0.375"-16 x 0.75" Grade 5)
36	103472	4	WASHER, Flat (0.375") (ANSI/CSA & AS)
	127067	4	WASHER, Flat BB style (0.375") (CE)
-	210399	1	DIRECTION SENSING LIMIT SWITCH ASSEMBLY, A
37	199486	1	• SWITCH, Limit - roller plunger (5 m), A
38	211213	1	• PLATE, Limit switch - threaded, A
39	126499	2	• SCREW, Round head machine (8-32 x 0.875"), A
40	208815	1	• RING, Protector - plastic, A
41	122249	2	• WASHER, Lock (#8), A
42	212110	1	PLATE, Cover, A
43	101297	4	BOLT, Hex head (0.375"-16 x 1.25" gr 5), A
44	103472	8	WASHER, Flat (0.375"), A

4.2 Cowling Assembly - Engine Side

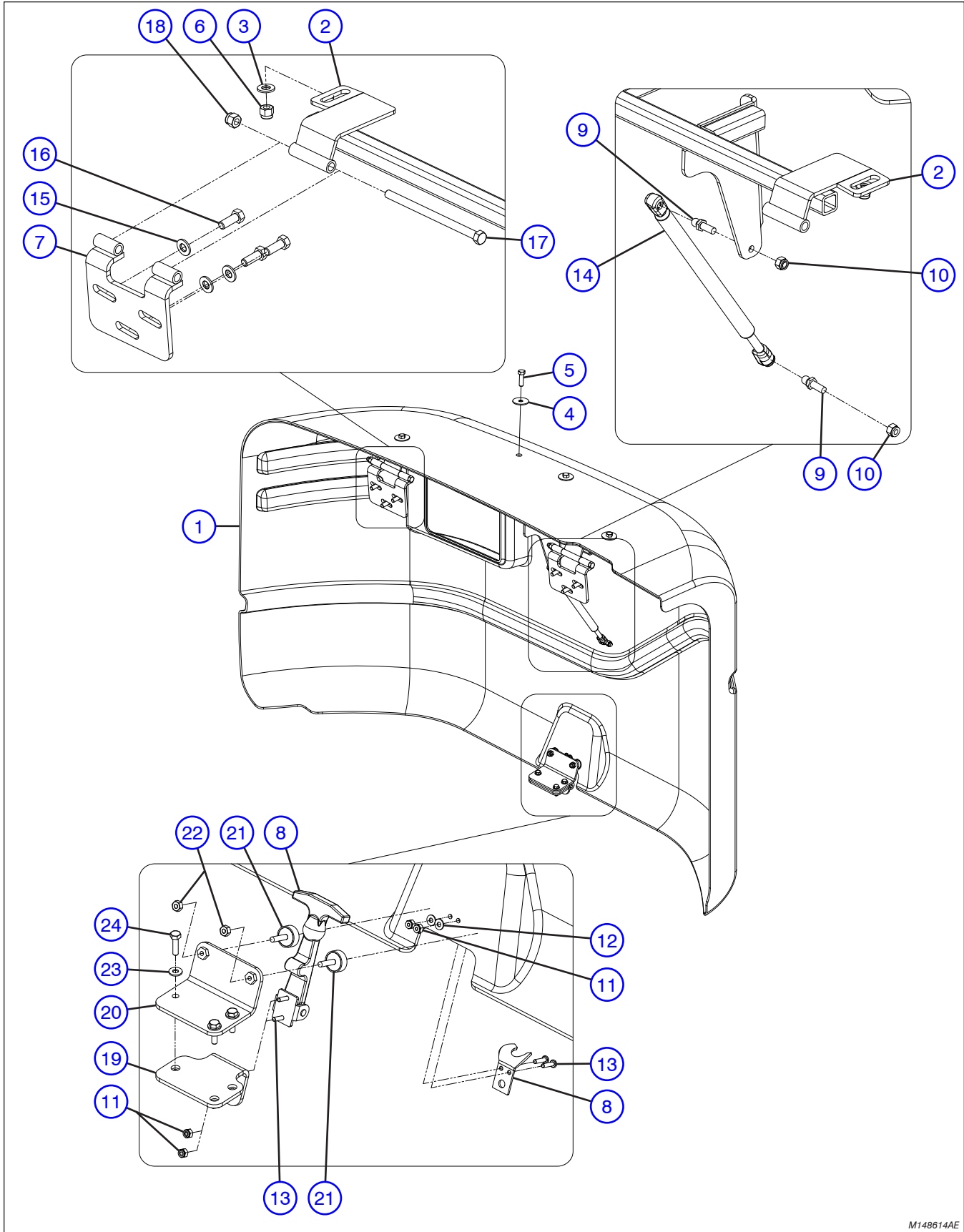


M148615AF

4.2 Cowling Assembly - Engine Side

Index No.	Skyjack Part No.	Qty.	Description
-	148615	1	COWLING ASSEMBLY, ENGINE SIDE
-	149259	1	• COWLING, Assembly (Engine Side)
1	149261	1	• • COWLING, Shell (Engine Side)
2	160214	1	• • WELDMENT, Cowling frame (Engine Side)
3	152426	2	• • PLATE, Perforated
4	148368	1	• • FOAM, 2" x 2" (#1441FR)
5	125959	4	• • WASHER, Flat hardened (3/8")
6	127067	4	• • WASHER, Flat (3/8" Style BB)
7	101297	2	• • BOLT, Hex head (3/8"-16 x 1 1/4" Grade 5)
8	104606	4	• • NUT, Hex lock (3/8"-16 Grade 5, nylon)
9	103870	2	• • BOLT, Hex head (3/8"-16 x 1 1/2" Grade 5)
10	152416	2	• • WASHER, Rubber (1x 3/7 x 1/8 TK)
11	149360	1	• WELDMENT, Gas spring mount
12	152427	2	• WELDMENT, Hinge lower RHS
13	103980	2	• NUT, Hex head (1/4"-20 Grade 8)
14	138834	4	• SCREW, Round machine (#10-24 x 3/4")
15	104694	2	• WASHER, Flat (#10)
16	126642	4	• NUT, Hex lock (#10-24 Grade 5, nylon)
17	146903	2	• STUD, Ball (10mm)
18	103984	2	• NUT, Hex lock (5/16"-18 Grade 5, nylon)
19	125959	10	• WASHER, Flat hardened (3/8")
20	103473	10	• BOLT, Hex head (3/8"-16 x 1" Grade 5)
21	152431	1	• GAS SPRING, Cowling
22	138736	2	• BOLT, Hex head (3/8"-16 x 6" Grade 5)
23	104606	2	• NUT, Hex lock (3/8"-16 Grade 5, nylon)
24	149333	1	• WELDMENT, Latch mount
25	149334	1	• WELDMENT, Cowling bumper
26	103995	3	• WASHER, Flat (1/4")
27	103857	3	• BOLT, Hex head (1/4"-20 x 1" Grade 5)
28	144002	1	• LATCH, Flexible draw
29	144015	2	• MOUNT, Anti-vibration

4.3 Cowling Assembly - Controls Side

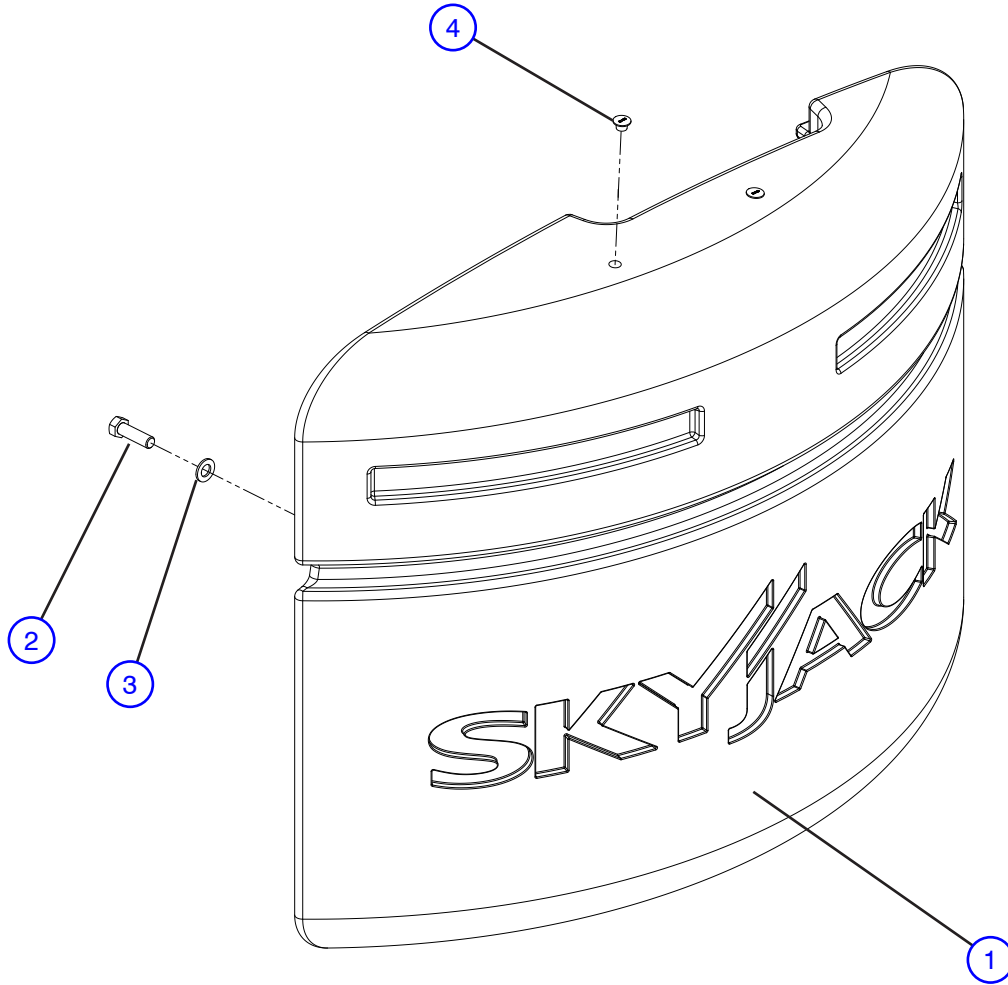


M148614AE

4.3 Cowling Assembly - Controls Side

Index No.	Skyjack Part No.	Qty.	Description
-	148614	1	COWLING ASSEMBLY, CONTROLS SIDE
-	149260	1	• COWLING, Assembly (Controls Side)
1	149262	1	• • COWLING, Shell (Controls Side)
2	160204	1	• • WELDMENT, Cowling frame (Controls Side)
3	125959	4	• • WASHER, Flat hardened (3/8")
4	127067	4	• • WASHER, Flat (3/8" Style BB)
5	101297	4	• • BOLT, Hex head (3/8"-16 x 1 1/4" Grade 5)
6	104606	4	• • NUT, Hex lock (3/8"-16 Grade 5, nylon)
7	149483	2	• WELDMENT, Hinge lower LHS
8	144002	1	• LATCH, Flexible draw
9	146903	2	• STUD, Ball (10mm)
10	103984	2	• NUT, Hex lock (5/16"-18 Grade 5, nylon)
11	126642	4	• NUT, Hex lock (#10-24 Grade 5, nylon)
12	104694	2	• WASHER, Flat (#10)
13	138834	4	• SCREW, Round machine (#10-24 x 3/4")
14	152431	1	• GAS SPRING, Cowling
15	125959	6	• WASHER, Flat hardened (3/8")
16	103473	6	• BOLT, Hex head (3/8"-16 x 1" Grade 5)
17	138736	2	• BOLT, Hex head (3/8"-16 x 6" Grade 5)
18	104606	2	• NUT, Hex lock (3/8"-16 Grade 5, nylon)
19	149333	1	• WELDMENT, Latch mount
20	149334	1	• WELDMENT, Cowling bumper
21	144015	2	• MOUNT, Anti-vibration
22	103980	2	• NUT, Hex head (1/4"-20 Grade 8)
23	103995	3	• WASHER, Flat (1/4")
24	103857	3	• BOLT, Hex head (1/4"-20 x 1" Grade 5)

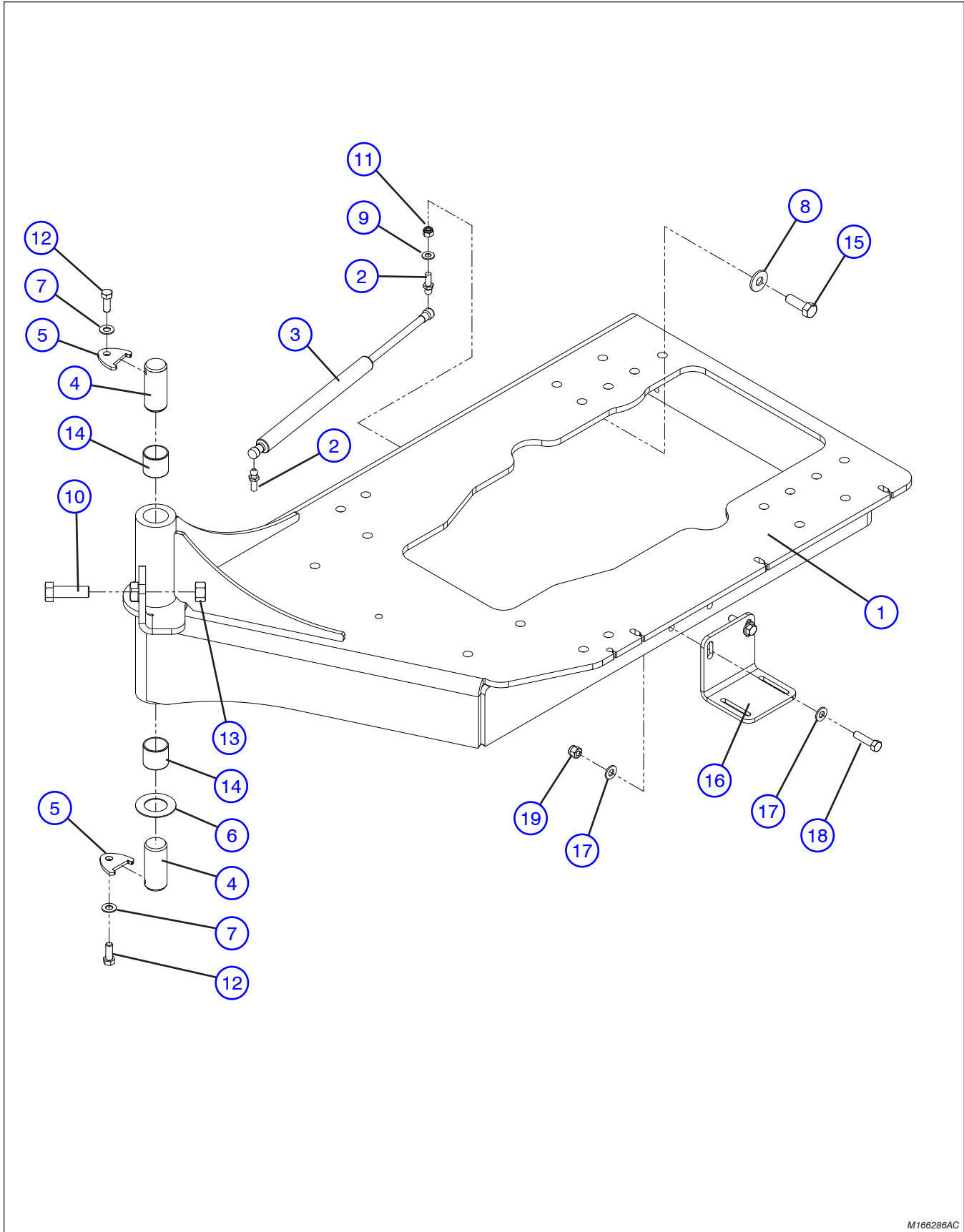
4.4 Counterweight Assembly



M169113AA

Index No.	Skyjack Part No.	Qty.	Description
A	164676	1	COUNTERWEIGHT ASSEMBLY (46AJ ANSI/CSA & AS)
B	169113	1	COUNTERWEIGHT ASSEMBLY (46AJ CE)
C	169116	1	COUNTERWEIGHT ASSEMBLY (51AJ CE & AS)
1	164678	1	• COUNTERWEIGHT A
	169115	1	• COUNTERWEIGHT B
	169118	1	• COUNTERWEIGHT C
2	139151	4	• BOLT, Hex head (3/4"-10 x 2 1/2" Grade 8)
3	702194	4	• WASHER, Flat hardened (3/4")
4	144105	2	• PLUG, Threaded hole (3/4")

4.5 Engine Tray Assembly

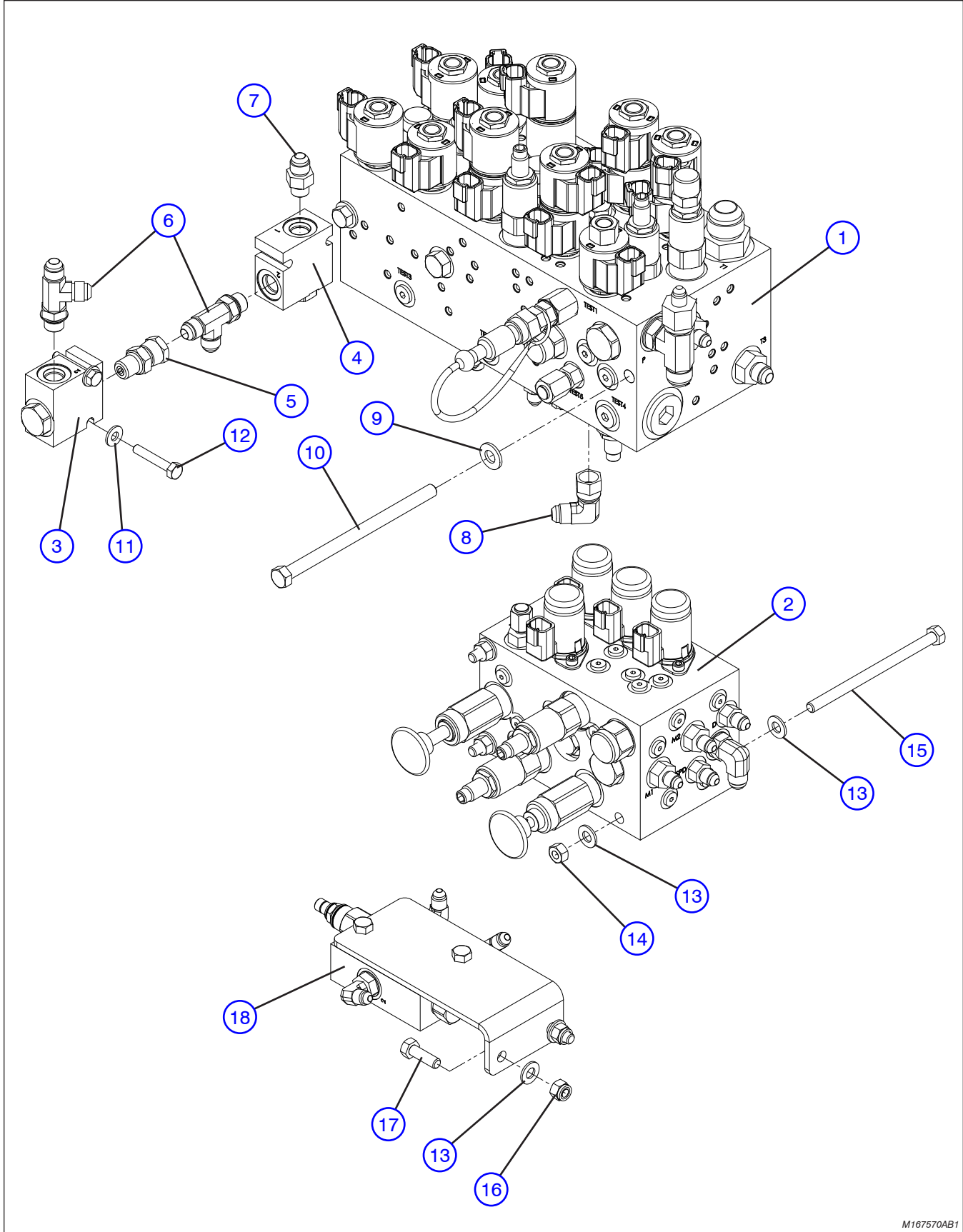


M166286AC

4.5 Engine Tray Assembly

Index No.	Skyjack Part No.	Qty.	Description
-	162286	1	ENGINE TRAY ASSEMBLY
1	162312	1	• ENGINE TRAY WELDMENT
3	146903	2	• STUD, Ball (10mm)
3	146902	1	• GAS SPRING
4	162319	2	• PIN, Pivot (1.25" OD x 2.875")
5	162321	2	• PLATE, Pin lock (1.25" OD x 0.188")
6	121703	1	• WASHER, Thrust - fiberglide
7	103472	2	• WASHER, Flat (3/8")
8	103468	1	• WASHER, Flat (0.50" SAE AA)
9	103996	1	• WASHER, Flat (5/16")
10	103897	1	• BOLT, Hex head (5/8"-16 x 2.00" Grade 5)
11	103984	1	• NUT, Hex head nylon lock (5/16"-18 Grade 5)
12	103473	2	• BOLT, Hex head (3/8"-16 x 1.00" Grade 5)
13	103981	1	• NUT, Hex head (5/8"-11 Grade 5)
14	100071	2	• BUSHING, Fiberglide
15	103907	1	• BOLT, Hex head (0.50"-13 x 1.50" Grade 5)
16	169579	1	• BRACKET, Cowling mount
17	125959	4	• WASHER, Flat hardened (3/8")
18	103870	2	• BOLT, Hex head (3/8"-16 x 1.50" Grade 5)
19	104606	2	• NUT, Hex head (3/8"-16 Grade 5)

4.6 Manifold Assembly with Hardware

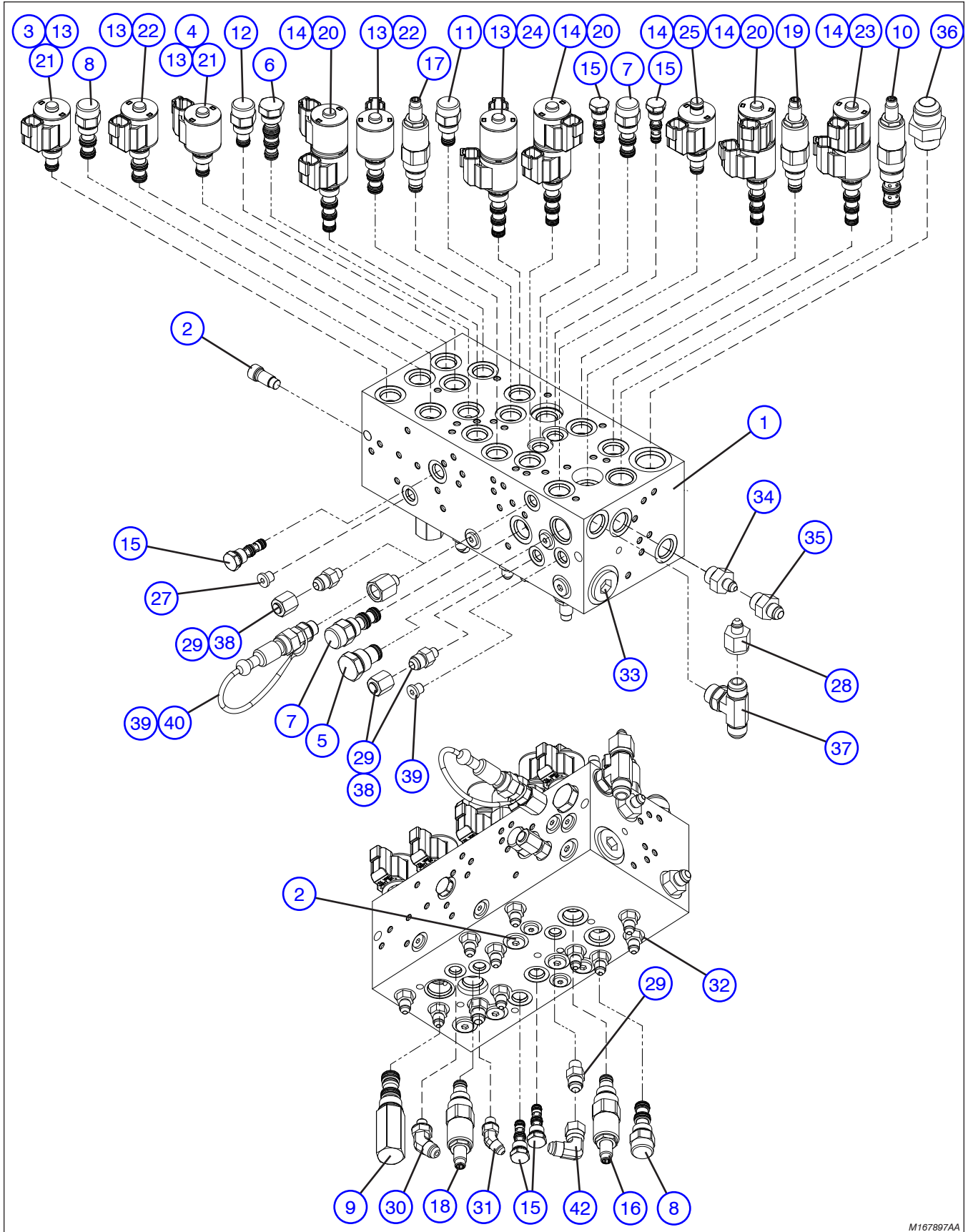


M167570AB1

4.6 Manifold Assembly with Hardware

Index No.	Skyjack Part No.	Qty.	Description
-	167490	-	MANIFOLD ASSEMBLY WITH HARDWARE (ANSI/CSA)
-	167570	-	MANIFOLD ASSEMBLY WITH HARDWARE (CE & AS)
1	(Ref.)	1	• MAIN MANIFOLD (For components, refer to Section 4.7)
2	(Ref.)	1	• BRAKE MANIFOLD (For components, refer to Section 4.8)
3	163182	1	• VALVE ASSEMBLY, Check
	166075	1	• • BLOCK, Check Valve
	159815	1	• • VALVE, Check
4	163183	1	• VALVE ASSEMBLY, Check
	166075	1	• • BLOCK, Check Valve
	166066	1	• • VALVE, Check
5	163710	1	• FITTING, Orifice
6	114581	2	• FITTING, Tee (06 JICM - 06 ORBM - 06 JICM)
7	103069	1	• FITTING, Straight (06 JICM - 06 ORBM)
8	702761	1	• FITTING, Elbow 90° swivel (06 JICM - 06 JICF)
9	125959	2	• WASHER, Flat hardened (3/8")
10	138736	2	• BOLT, Hex head (0.375"-16 x 6.00 gr 5)
11	103995	2	• WASHER, Flat (1/4")
12	103859	2	• BOLT, Hex head (1/4"-20 x 1.50" Grade 5)
13	103996	8	• WASHER, Flat (5/16")
14	100397	3	• NUT, Hex head (5/16"-18, Grade 5)
15	138762	3	• BOLT, Hex head (5/16"-18 x 5.00", Grade 5)
16	103984	2	• NUT, Hex head nylon lock (5/16"-18, Grade 5)
17	103864	2	• BOLT, Hex head (5/16"-18 x 1.00", Grade 5)
18	(Ref.)	1	• PRESSURE REDUCING MANIFOLD (For components, refer to Section 4.10)

4.7 Main Manifold

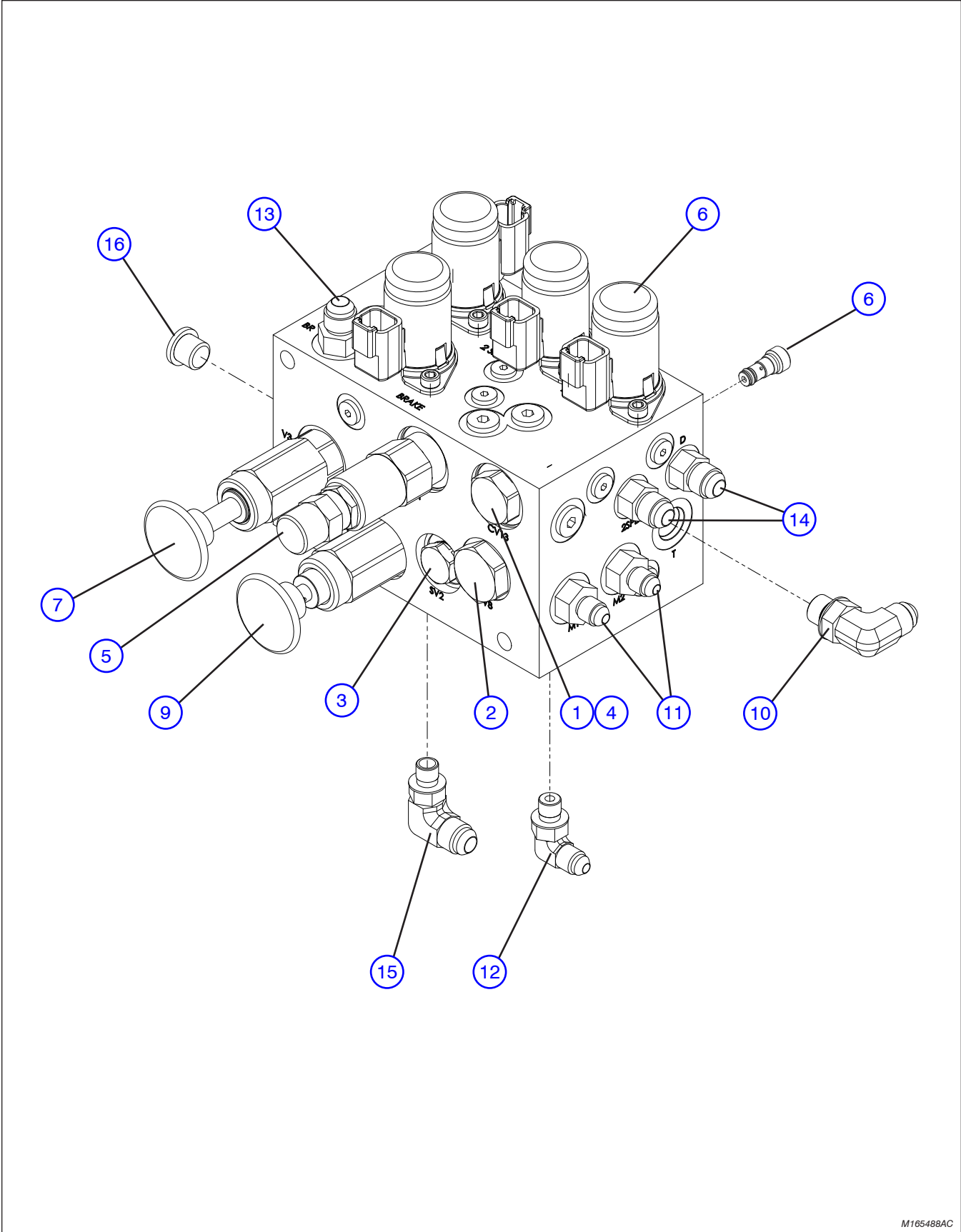


M167897AA

Index No.	Skyjack Part No.	Qty.	Description
A	167494	-	MAIN MANIFOLD ASSEMBLY (ANSI/CSA)
B	167897	-	MAIN MANIFOLD ASSEMBLY (CE & AS)
-	162495	1	• MANIFOLD ASSEMBLY, Main
1	166070	1	• • BLOCK, Manifold
2	166067	6	• • VALVE, Check
3	166080	1	• • ORIFICE, Plug (0.038")
4	166078	1	• • ORIFICE, Plug (0.058")
5	166064	1	• • VALVE, Check
6	159817	1	• • VALVE, Check (Pilot operated)
7	166063	2	• • COMPENSATOR, Pressure
8	166062	2	• • COMPENSATOR, Pressure
9	166059	1	• • COMPENSATOR, Pressure
10	166055	1	• • REGULATOR, Pressure
11	166057	1	• • REGULATOR, Pressure
12	166056	1	• • REGULATOR, Pressure
13	159821	6	• • COIL, 12 VDC
14	159819	9	• • COIL, 12 VDC
15	166054	5	• • VALVE, Shuttle
16	168975	1	• • VALVE, Relief
17	159809	1	• • VALVE, Relief
18	166044	1	• • VALVE, Differential relief
19	166043	1	• • VALVE, Differential relief
20	166041	3	• • VALVE, Spool (3 position 4 way)
21	166038	2	• • VALVE, Spool (2 way)
22	166037	2	• • VALVE, Spool (3 way)
23	158186	1	• • VALVE, Spool (3 position 4 way)
24	166036	1	• • VALVE, Spool (3 position 4 way)
25	166039	1	• • VALVE, Spool (2 way)
27	121250	3	• PLUG, Hex socket (04 ORBM)
28	706812	1	• FITTING, Straight (08 JICF - 04 JICM)
29	128869	4	• FITTING, Straight (06 JICM - 06 ORBM), A
	128869	3	• FITTING, Straight (06 JICM - 06 ORBM), B
30	701478	1	• FITTING, Elbow 45° (06 JICM - 04 ORBM)
31	131716	1	• FITTING, Elbow 45° (04 JICM - 04 ORBM)
32	126128	10	• FITTING, Straight (04 JICM - 04 ORBM)
33	111392	1	• PLUG, Hex socket (12 ORBM)
34	131705	1	• FITTING, Straight (08 ORBM - 04 JICM)
35	103070	1	• FITTING, Straight (06 JICM - 08 ORBM)
	702796	1	• PLUG, Hex socket (08 ORBM)
36	702118	1	• FITTING, Straight (12 JICM - 12 ORBM)
37	135061	1	• FITTING, Tee (08 JICM - 08 JICM - 08 ORBM)
38	107666	2	• FITTING, Cap (06 JICF), A
		1	• FITTING, Cap (06 JICF), B
39	147553	1	• FITTING, Straight (04 ORBM - 06 ORBF), B
40	122420	1	• QUICK DISCONNECT ASSEMBLY, B
41	702761	1	FITTING, Elbow 90° (06 JICM - 06 JICFSW)

4.8 Brake Manifold (serial number 95 001 717 and above)

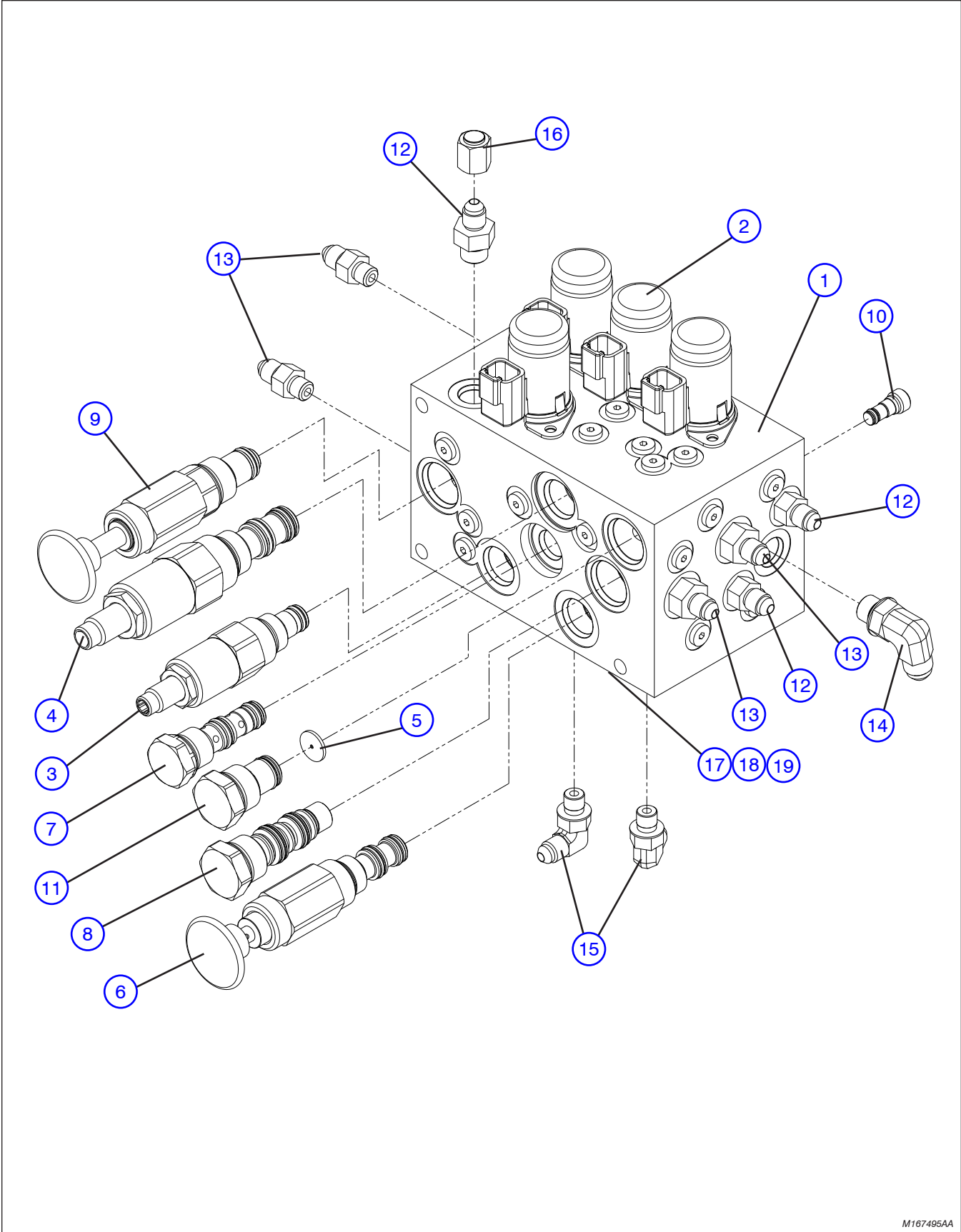
AD



M165488AC

Index No.	Skyjack Part No.	Qty.	Description
-	195803	-	BRAKE MANIFOLD ASSEMBLY (serial number 95 001 717 and above)
-	168642	1	• MANIFOLD, Brake
1	171413	1	• • VALVE, Check
2	166053	1	• • VALVE, Shuttle
3	166054	1	• • VALVE, Shuttle
4	171420	1	• • ORIFICE, Disc (0.073")
5	168754	1	• • VALVE, Pressure reducer
6	159827	4	• • VALVE, Solenoid
7	159831	1	• • PUMP, Hand
8	141414	1	• • VALVE, Shuttle
9	141436	1	• • VALVE, Brake release override
10	114578	1	• FITTING, 90° elbow (06 JICM - 06 ORBM)
11	701956	2	• FITTING, Straight (04 JICM - 06 ORBM)
12	125883	1	• FITTING, 90° elbow (04 JICM - 04 ORBM)
13	103069	1	• FITTING, Straight (06 JICM - 06 ORBM)
14	128869	2	• FITTING, Straight (06 JICM - 04 ORBM)
15	113348	1	• FITTING, 90° elbow (06 JICM - 04 ORBM)
16	121250	1	• FITTING, Plug (04 ORB hex socket)

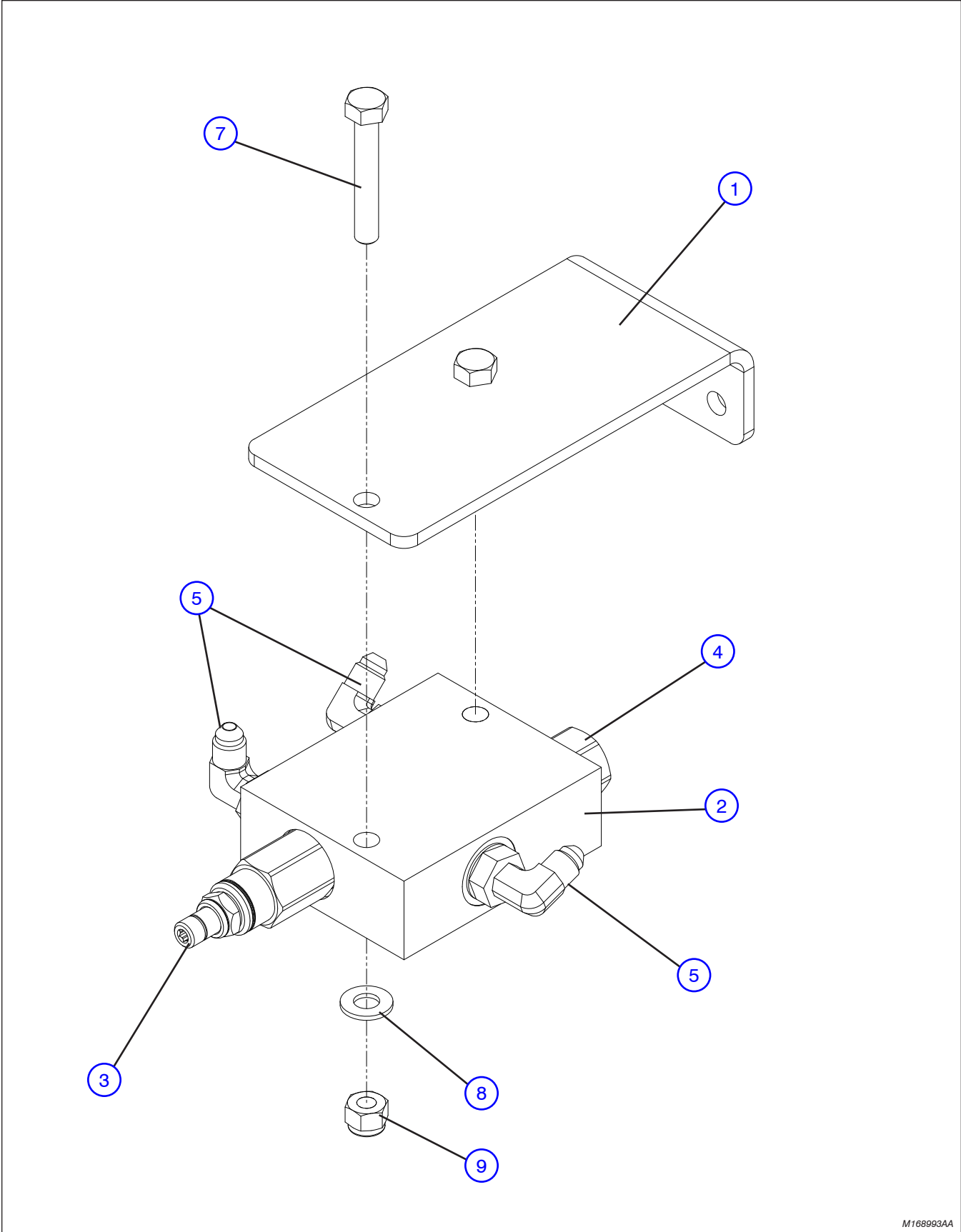
4.9 Brake Manifold (serial number 95 001 716 and below)



M167495AA

Index No.	Skyjack Part No.	Qty.	Description
-	167495	-	BRAKE MANIFOLD ASSEMBLY (serial number 95 001 716 and below)
-	162496	1	• MANIFOLD ASSEMBLY, Brake
1	166072	1	• • BLOCK, Manifold
2	159827	4	• • VALVE, Solenoid (2 position 3 way)
3	166046	1	• • VALVE, Relief
4	166051	1	• • VALVE, Pressure Reducing
5	166073	1	• • ORIFICE, Disc
6	141436	1	• • VALVE, Brake release override
7	166054	1	• • VALVE, Load shuttle
8	166053	1	• • VALVE, Low side shuttle
9	159831	1	• • PUMP, Hand
10	141414	1	• • VALVE, Shuttle
11	166065	1	• • VALVE, Check
12	701956	3	• FITTING, Straight (04 JICM - 06 ORBM)
13	126128	4	• FITTING, Straight (04 JICM - 04 ORBM)
14	114578	1	• FITTING, Elbow, 90° (06 JICM - 06 ORBM)
15	125883	2	• FITTING, Elbow, 90° (04 JICM - 04 ORBM)
16	131286	1	• CAP (04 JICF)

4.10 Pressure Reducing Manifold

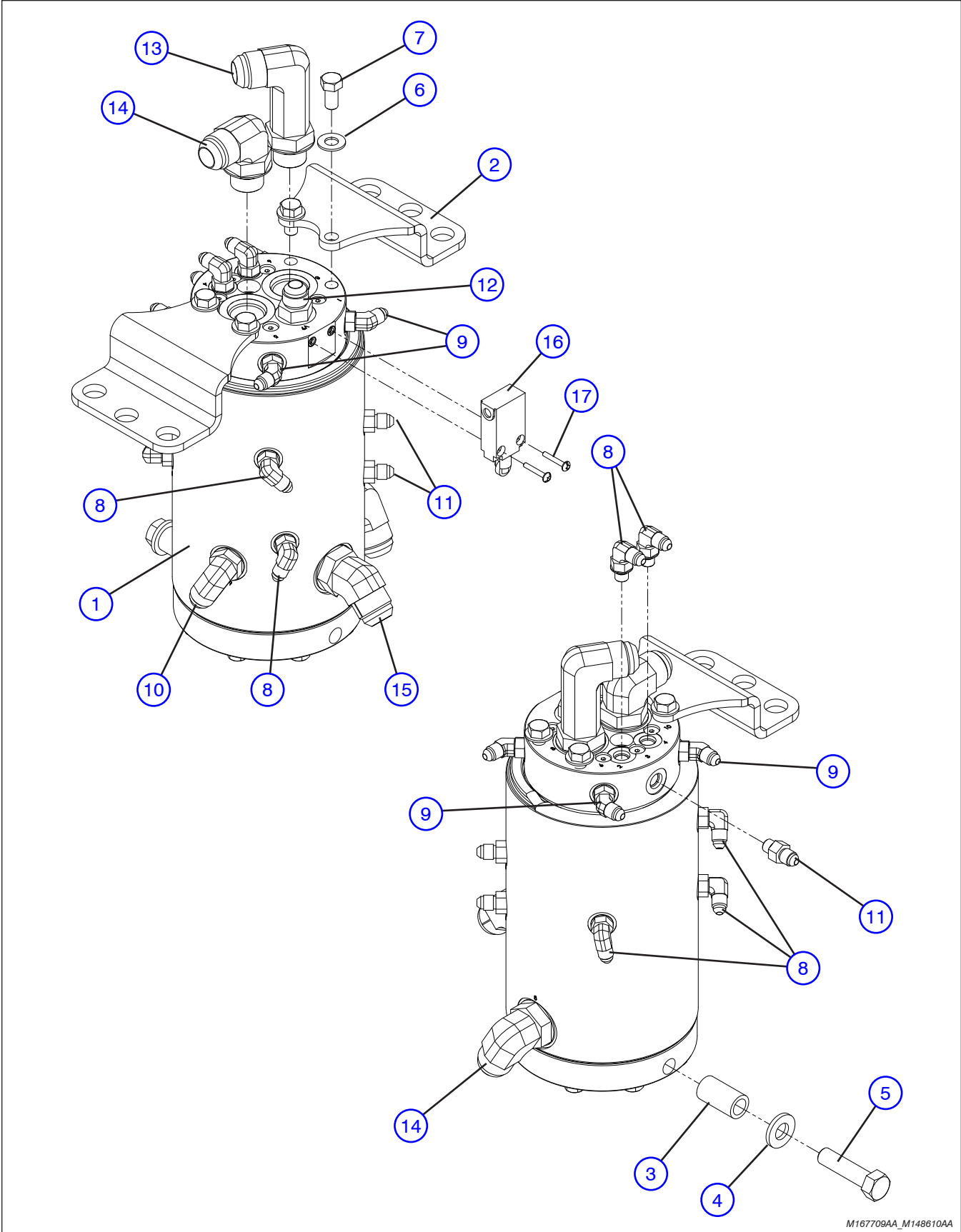


M168993AA

4.10 Pressure Reducing Manifold

Index No.	Skyjack Part No.	Qty.	Description
-	168993	1	PRESSURE REDUCING VALVE (serial number 95 001 716 and below)
1	168536	1	• BRACKET
-	168994	1	• PRESSURE REDUCING MANIFOLD ASSEMBLY
-	168158	1	• • MANIFOLD, Pressure Reducing
2	138241	1	• • • BLOCK, Manifold
3	168242	1	• • • VALVE, Relief
4	168243	1	• • • VALVE, Check
5	129127	3	• • FITTING, Elbow 90° (04 JICM - 06 ORBM)
6	144628	1	• • FITTING, Hex head plug (04 NPTM brass)
7	103865	2	• BOLT, Hex head (5/16"-18 x 2.00" Grade 5)
8	103984	2	• WASHER, Flat (5/16")
9	103996	2	• NUT, Hex head nylon lock (5/16"-18, Grade 5)

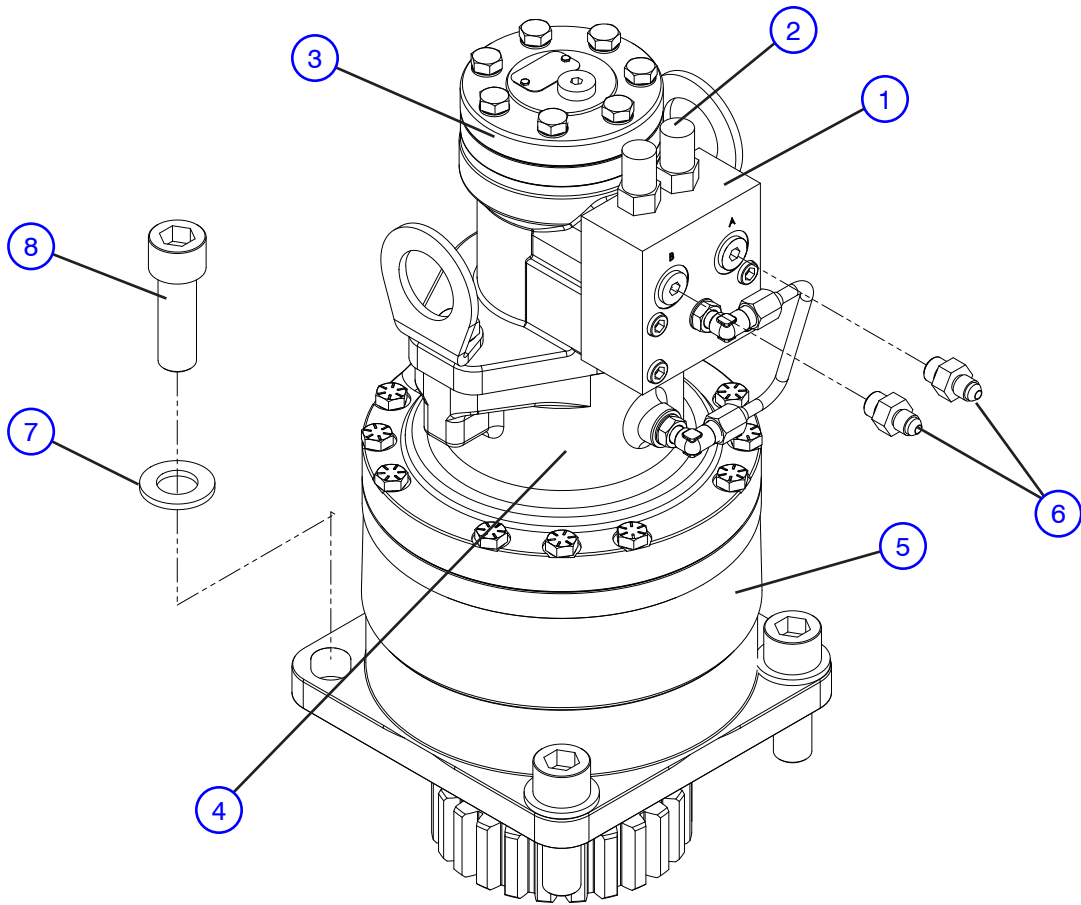
4.11 Rotary Manifold Assembly



M167709AA_M148610AA

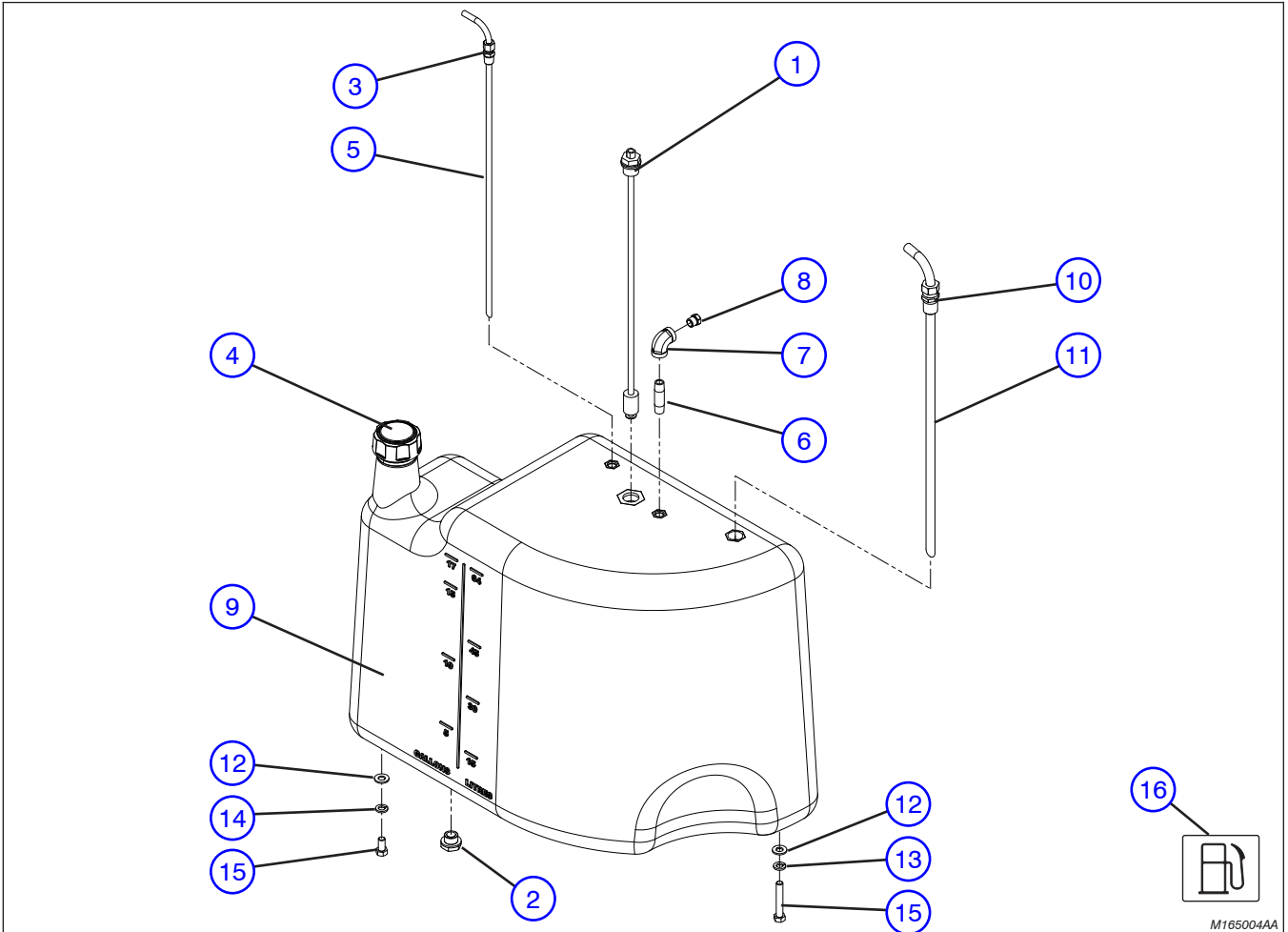
Index No.	Skyjack Part No.	Qty.	Description
-	167709	-	ROTARY MANIFOLD ASSEMBLY - serial number 95 002 084 & below
1	149380	1	• MANIFOLD, Rotary
2	149378	2	• BRACKET, Rotary manifold
3	138956	1	• SPACER, Rotary manifold
4	104379	1	• WASHER, Flat hardened (1/2")
5	103904	1	• BOLT, Hex head (1/2"-13 x 2" Grade 5)
6	103472	4	• WASHER, Flat (3/8")
7	101632	4	• BOLT, Hex head (3/8"-16 x 3/4" Grade 5)
8	125883	7	• FITTING, Elbow, 90° (04 JICM - 04 ORBM)
9	131716	4	• FITTING, Elbow, 45° (04 JICM - 04 ORBM)
10	114583	1	• FITTING, Elbow, 90° (08 JICM - 08 ORBM)
11	126128	3	• FITTING, Straight (04 JICM - 04 ORBM)
12	102659	1	• FITTING, Straight (08 JICM - 08 ORBM)
13	139099	1	• FITTING, Elbow, 90° LL (12 JICM - 12 ORBM)
14	105445	2	• FITTING, Elbow, 90° (12 JICM - 12 ORBM)
15	131707	1	• FITTING, Elbow, 45° (12 JICM - 12 ORBM)
K	154659	1	KIT, Seal (Rotary Manifold)
-	148610	-	DIRECTION SENSING LIMIT SWITCH - serial number 95 002 084 & below
16	122007	1	• SWITCH, Limit
17	126499	2	• SCREW, Machine round head (#8-32 x 0.88")

4.12 Turret Swing Drive Assembly



M1467206AA

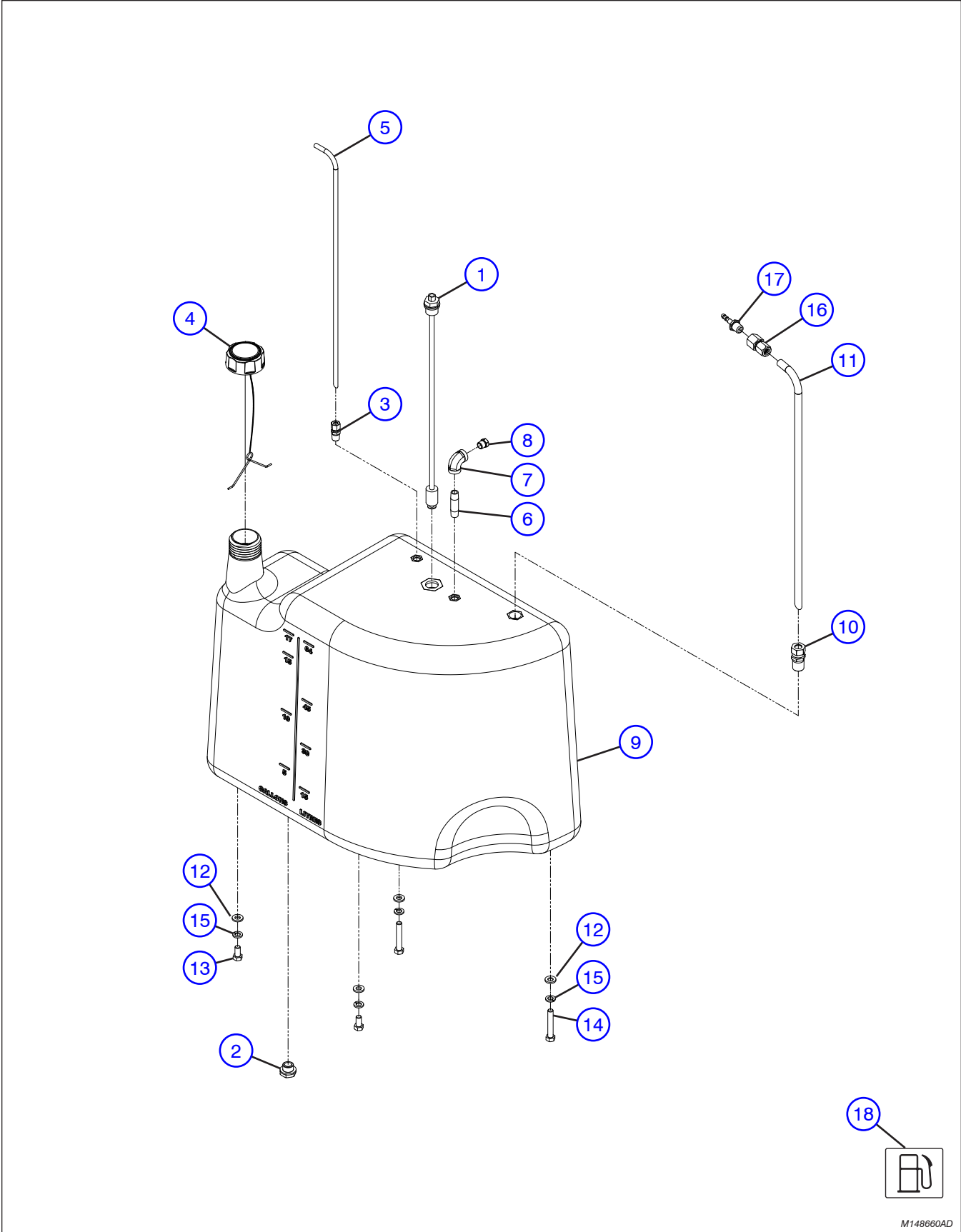
Index No.	Skyjack Part No.	Qty.	Description
-	167206	1	SWING DRIVE ASSEMBLY
-	167207	1	• SWING DRIVE, Turret rotate
1	154660	1	• • MANIFOLD, Swing drive
2	141499	2	• • • VALVE, Counterbalance
3	168872	1	• • MOTOR, Hydraulic
4	168873	1	• • BRAKE, Hydraulic
5	146006	1	• • GEAR, Reduction
6	701956	2	• FITTING, Straight (04 JICM - 06 ORBM)
7	702194	4	• WASHER, Flat hardened (3/4")
8	149247	4	• BOLT, Socket head cap screw (3/4"-10 x 2.25")
K1	168875	1	SEAL KIT, Main shaft & ring gear
K2	168874	1	SEAL KIT, Brake



M165004AA

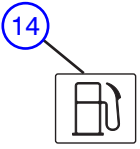
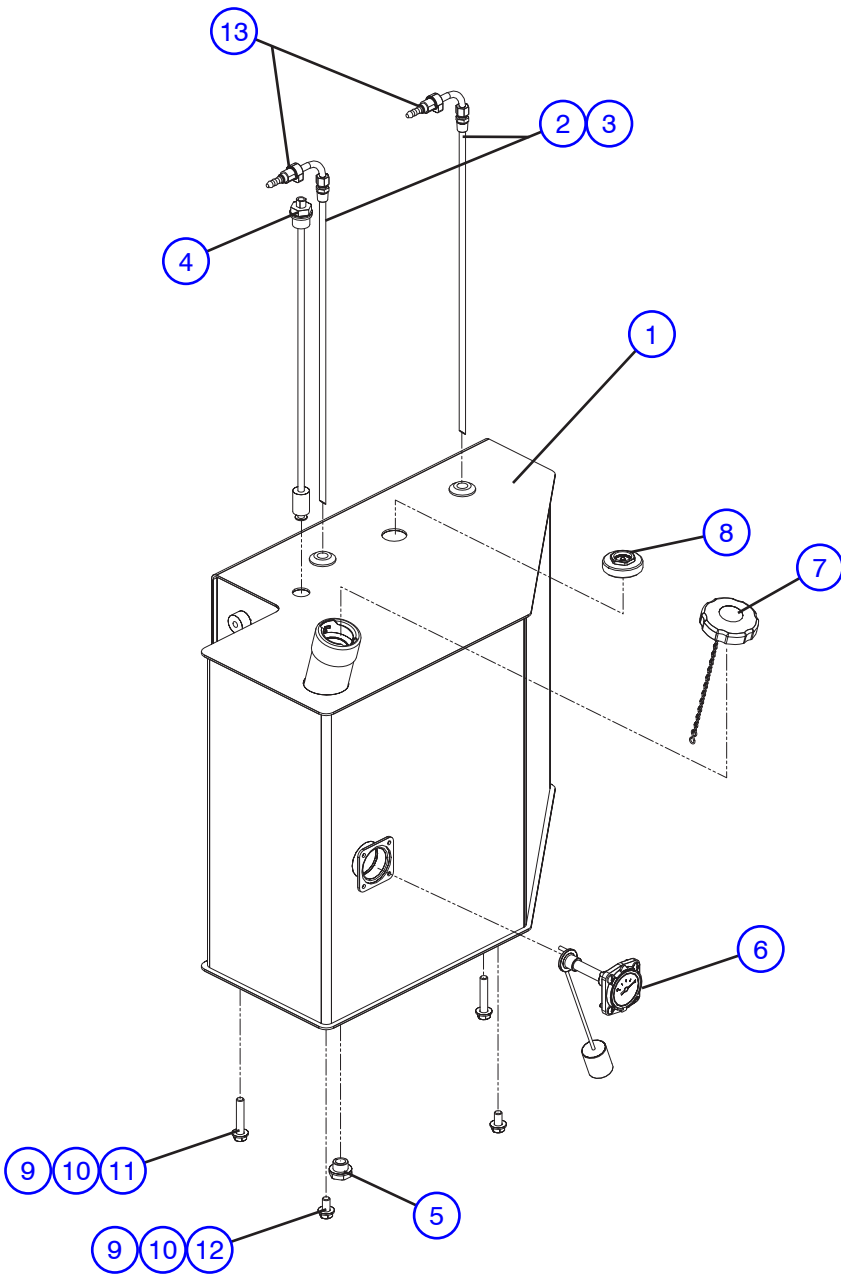
Index No.	Skyjack Part No.	Qty.	Description
-	165004	1	FUEL TANK ASSEMBLY - Deutz D2.9L engine
-	164830	1	• TANK ASSEMBLY - Diesel
1	138230	1	• • SWITCH, Fuel level
2	137629	1	• • FITTING, Plug hollow hex (10 ORB)
3	103155	1	• • FITTING, Brass tank (1/4" NPT)
4	144410	1	• • CAP, Fuel
5	138491	1	• • TUBE, Fuel send/return
6	143478	1	• • FITTING, Nipple (1/4" NPT x 2" brass)
7	144325	1	• • FITTING, 90° (1/4" NPTF x 1/4" NPTF brass)
8	116408	1	• • VENT, breather (1/4" NPT)
9	164829	1	• • TANK, Moulded, diesel
10	164674	1	• • FITTING, Tube compression (1/2" OD x 1/2" NPT)
11	164673	1	• • TUBE, Fuel section
12	125959	4	• WASHER, Flat (3/8")
13	103872	2	• BOLT, Hex head (3/8"-16 x 2.25", grade 5)
14	101632	2	• BOLT, Hex head (3/8"-16 x 0.75", grade 5)
15	103999	4	• WASHER, Lock (3/8")
16	(Ref.)	-	FUEL (For components, refer to Section 11.1)

4.14 Fuel Tank Assembly - Deutz D2011 Engine



M148660AD

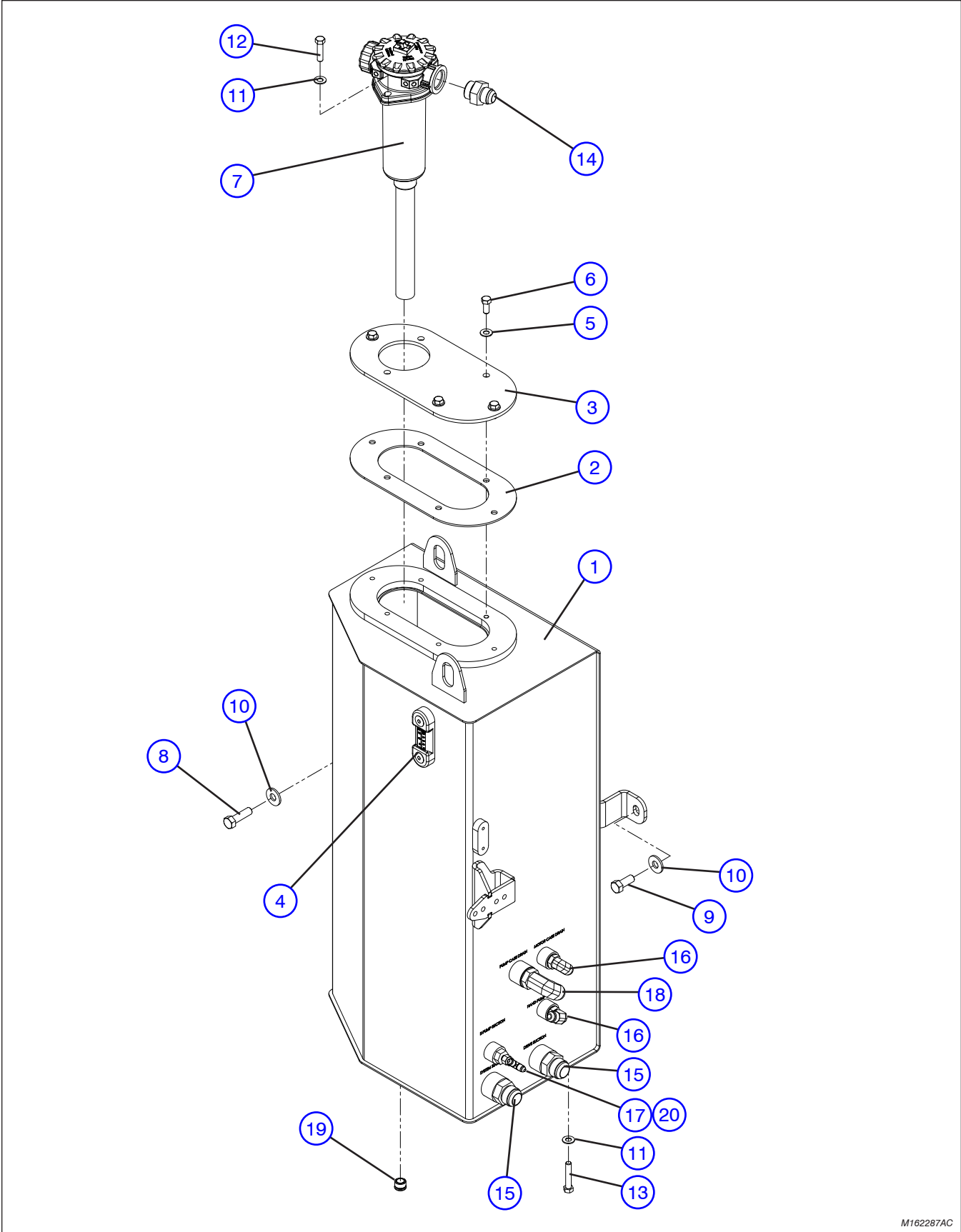
Index No.	Skyjack Part No.	Qty.	Description
-	148660	-	FUEL TANK ASSEMBLY - Deutz D2011 engine
-	164830	1	• TANK ASSEMBLY, Diesel
1	138230	1	• • SWITCH, Fuel level
2	137629	1	• • FITTING, Plug hollow hex (10 ORB)
3	103155	1	• • FITTING, Brass tank (#T68-5B)
4	144410	1	• • CAP, Fuel (non EPA)
5	138491	1	• • TUBE, Fuel send/return
6	143478	1	• • FITTING, Nipple (brass, 1/4 NPT x 2")
7	144325	1	• • FITTING, Elbow 90° (brass, 1/4 NPTF x 1/4 NPTF)
8	116408	1	• • VENT, Breather (1/4 NPT)
9	164829	1	• • TANK, Fuel
10	164674	1	• • FITTING, Tube Compression (1/2" OD x 1/2" NPT)
11	164673	1	• • TUBE, Fuel suction
12	125959	4	• WASHER, Flat (3/8")
13	101632	2	• BOLT, Hex head (3/8"-16 x 3/4" Grade 5)
14	103872	2	• BOLT, Hex head (3/8"-16 x 2 1/4" Grade 5)
15	103999	4	• WASHER, Lock (3/8")
16	165716	1	• FITTING, Straight (08 BT - 06 FP)
17	165719	1	• FITTING, Hose barb
18	(Ref.)	-	FUEL (For components, refer to Section 11.1)



M148676AA

Index No.	Skyjack Part No.	Qty.	Description
-	148676	1	FUEL TANK ASSEMBLY - GM & Kubota WG2503 engine
-	149069	1	• FUEL TANK ASSEMBLY (Gasoline, steel)
1	149070	1	• • TANK, Fuel (steel)
2	103155	2	• • FITTING, Brass tank (#T68-5B)
3	144338	2	• • TUBE, Fuel send/return
4	138230	1	• • SWITCH, Fuel level
5	117701	1	• • PLUG (3/4"-16UNF with magnet)
6	144393	1	• • GAUGE, Level
7	136369	1	• • CAP, Fuel (filler non-vented)
8	144392	1	• • VALVE, Dual action
9	125959	4	• WASHER, Flat (3/8")
10	103999	4	• WASHER, Lock (3/8")
11	103596	2	• BOLT, Hex head (3/8"-16 x 2" Grade 5)
12	101632	2	• BOLT, Hex head (3/8"-16 x 3/4" Grade 5)
13	142397	2	FITTING, Quick disconnect (straight)
14	(Ref.)	-	FUEL (For components, refer to Section 11.1)

4.16 Hydraulic Tank Assembly



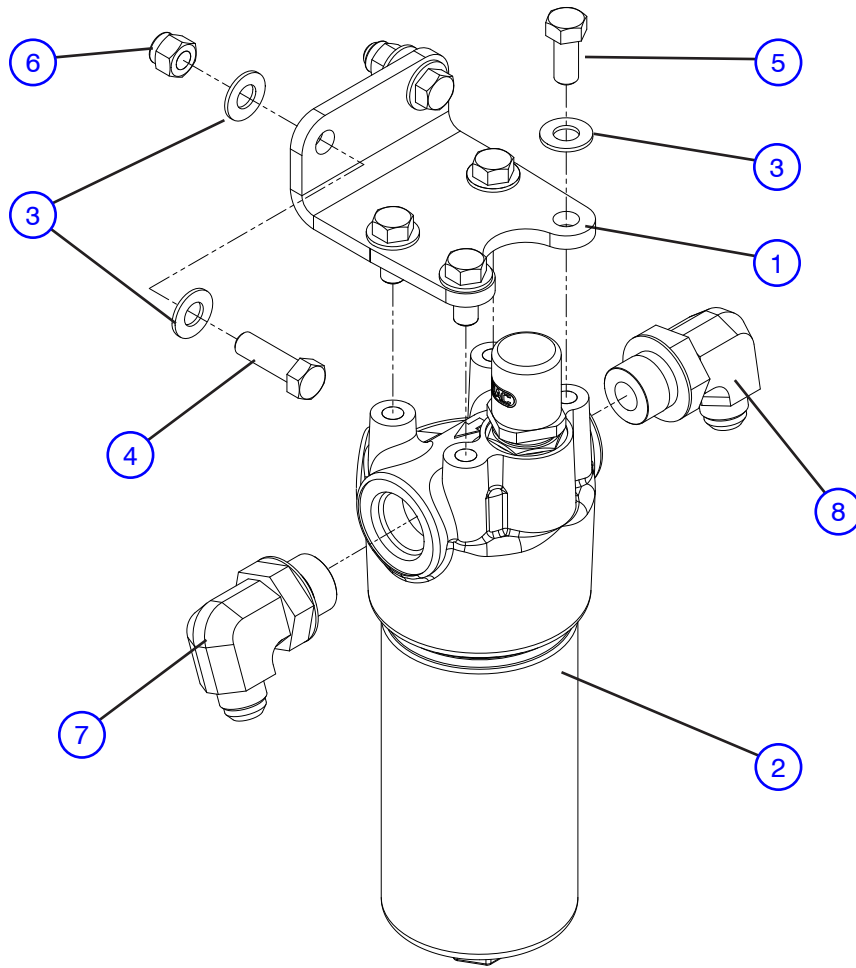
M162287AC

4.16 Hydraulic Tank Assembly

Index No.	Skyjack Part No.	Qty.	Description
-	162287	-	HYDRAULIC TANK WITH FITTINGS ASSEMBLY
-	162322	-	• HYDRAULIC TANK ASSEMBLY
1	162323	1	• • TANK WELDMENT, Hydraulic
2	152393	1	• • GASKET, Hydraulic tank
3	152392	1	• • COVER, Hydraulic tank
4	103236	1	• • INDICATOR, Level
5	103472	4	• • WASHER, Flat hardened (3/8")
6	300437	4	• • BOLT, Hex head (3/8"-16 x 0.875" Grade 5)
7	161934	1	• FILTER ASSEMBLY, Return
	161949	1	• • ELEMENT, Return filter
	168869	1	• • ELEMENT, Breather
	168870	1	• • LID, Return filter
	168871	1	• • CAP, Air element
8	126361	1	• BOLT, Hex head (1/2"-13 x 1.75" Grade 8)
9	103910	1	• BOLT, Hex head (1/2"-13 x 1.25" Grade 8)
10	103468	2	• WASHER, Flat (1/2" SAE AA)
11	103472	4	• WASHER, Flat (3/8")
12	103870	2	• BOLT, Hex head (3/8"-16 x 1 1/2" Grade 5)
13	103596	2	• BOLT, Hex head (3/8"-16 x 2" Grade 5)
14	702122	1	• FITTING, Straight (12 JICM - 16 ORBM)
15	138667	2	• FITTING, Straight (16 JICM - 16 ORBM)
16	114583	2	• FITTING, Elbow 90° (08 JICM - 08 ORBM)
17	131705	1	• FITTING, Straight (04 JICM - 08 ORBM)
18	139207	1	• FITTING, Elbow 90° long (12 JICM - 12 ORBM)
19	143980	1	• FITTING, Plug - magnetic (08 ORBM)
20	707917	1	• FITTING, Run Tee (04 JICM - 04 JICM - 04 JICFS)

4.17 High Pressure Filter Assembly

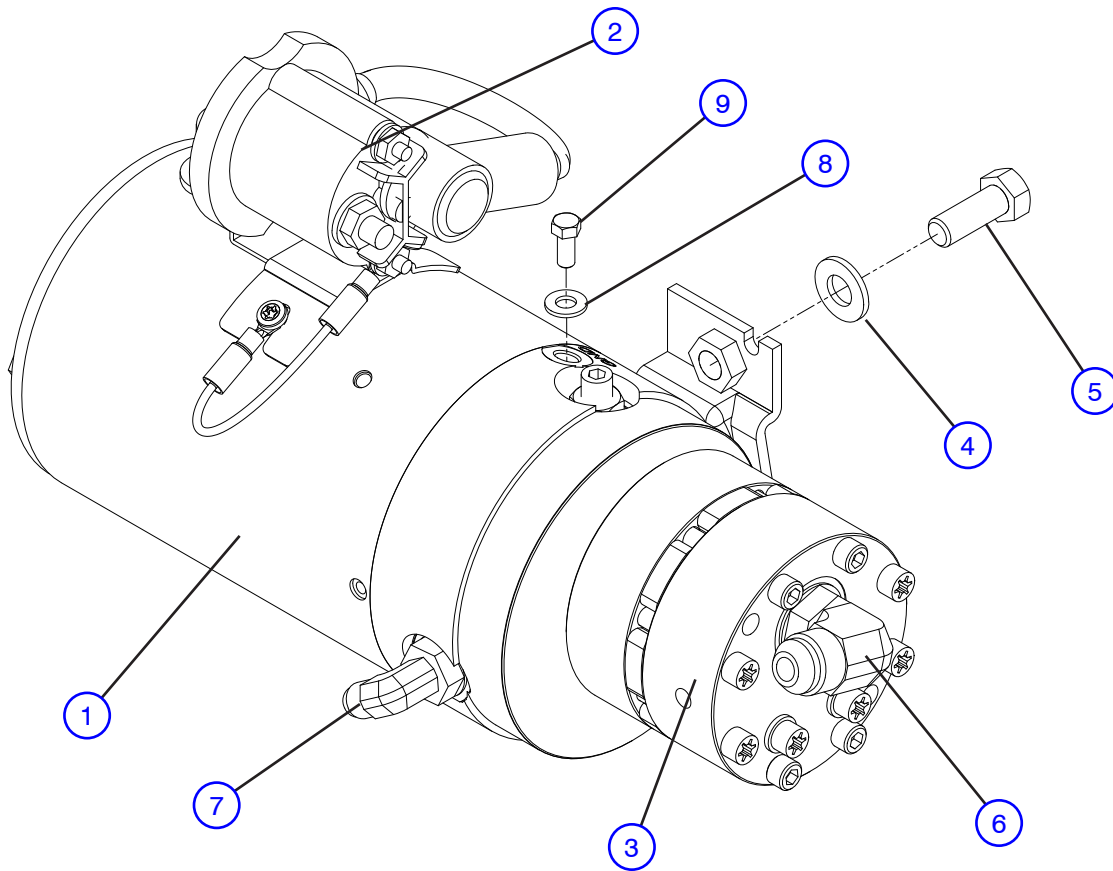
AD



M162288AB

Index No.	Skyjack Part No.	Qty.	Description
-	162288	-	HIGH PRESSURE FILTER ASSEMBLY
1	162327	1	• BRACKET, High pressure filter
2	161932	1	• FILTER ASSEMBLY, High pressure
	161947	1	• • ELEMENT, High pressure filter
	169246	1	• • PLUG, Indicator with seals
	204202	1	• • O-RING
	204203	1	• • O-RING, Backup
3	103472	8	• WASHER, Flat (3/8")
4	101297	2	• BOLT, Hex head (3/8"-16 x 1.25" Grade 5)
5	300437	4	• BOLT, Hex head (3/8"-16 x 0.875" Grade 5)
6	104606	2	• NUT, Hex head nylon lock (3/8"-16 Grade 5)
7	112366	1	FITTING, Elbow 90° (08 JICM - 12 ORBM) (no oil cooler option)
8	138981	1	FITTING, Elbow 90° (10 JICM - 12 ORBM) (no oil cooler option)

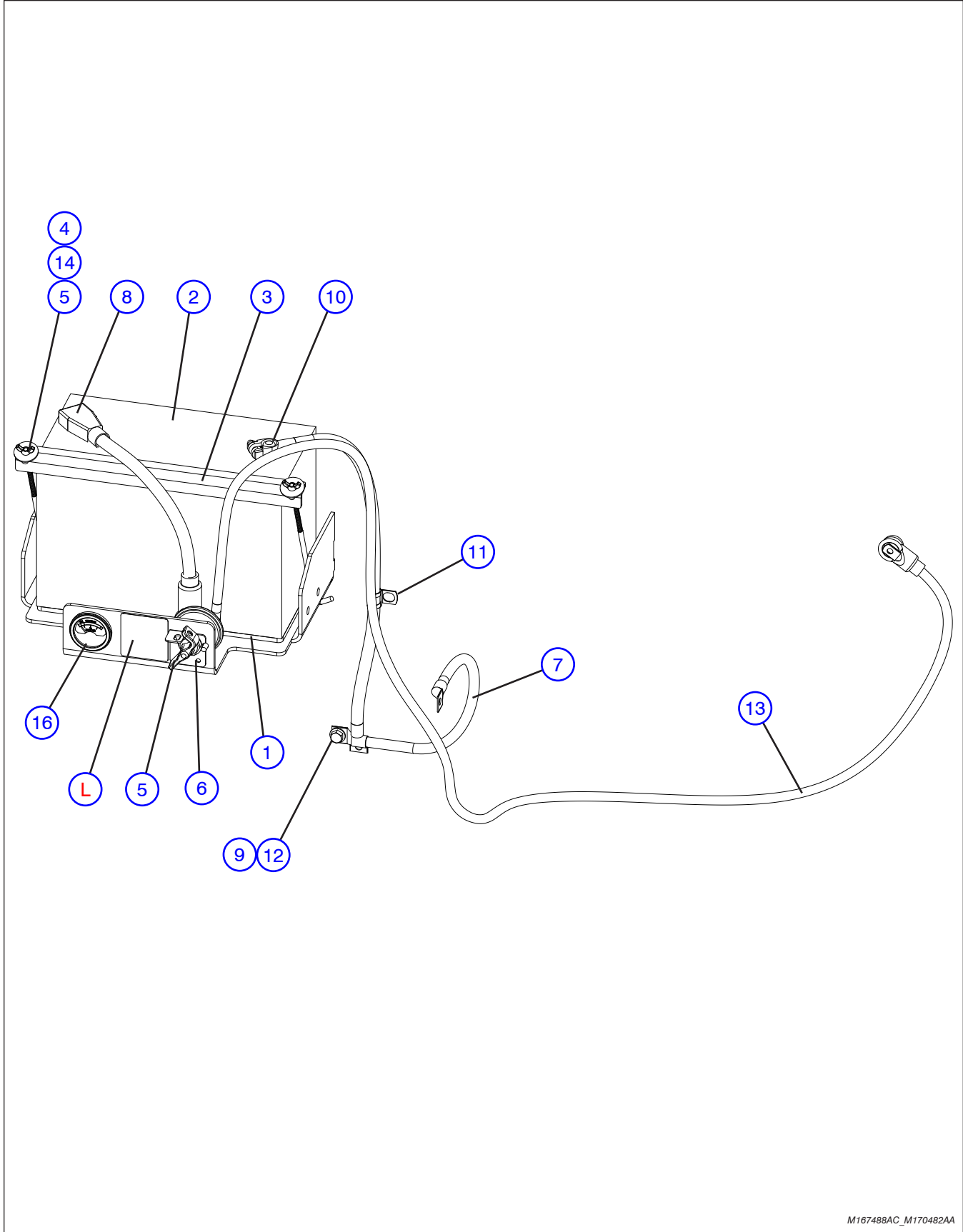
4.18 Auxiliary Pump



M167489AC

Index No.	Skyjack Part No.	Qty.	Description
-	167489	1	AUXILIARY PUMP
-	160923	1	• PUMP, Auxiliary
1	168897	1	• • MOTOR
2	168898	1	• • CONTACTOR
3	169244	1	• • PUMP
4	125959	2	• WASHER, Flat hardened (0.375")
5	103473	2	• BOLT, Hex head (0.375"-16 x 1.00" Grade 5)
6	114583	1	• FITTING, Elbow, 90° (08 ORBM - 08 JICM)
7	129127	1	• FITTING, Elbow, 90° (04 JICM - 06 ORBM)
8	103404	1	• WASHER, Lock (0.312")
9	148331	1	• BOLT, Hex head (0.312"-18 x 0.625" Grade 5)

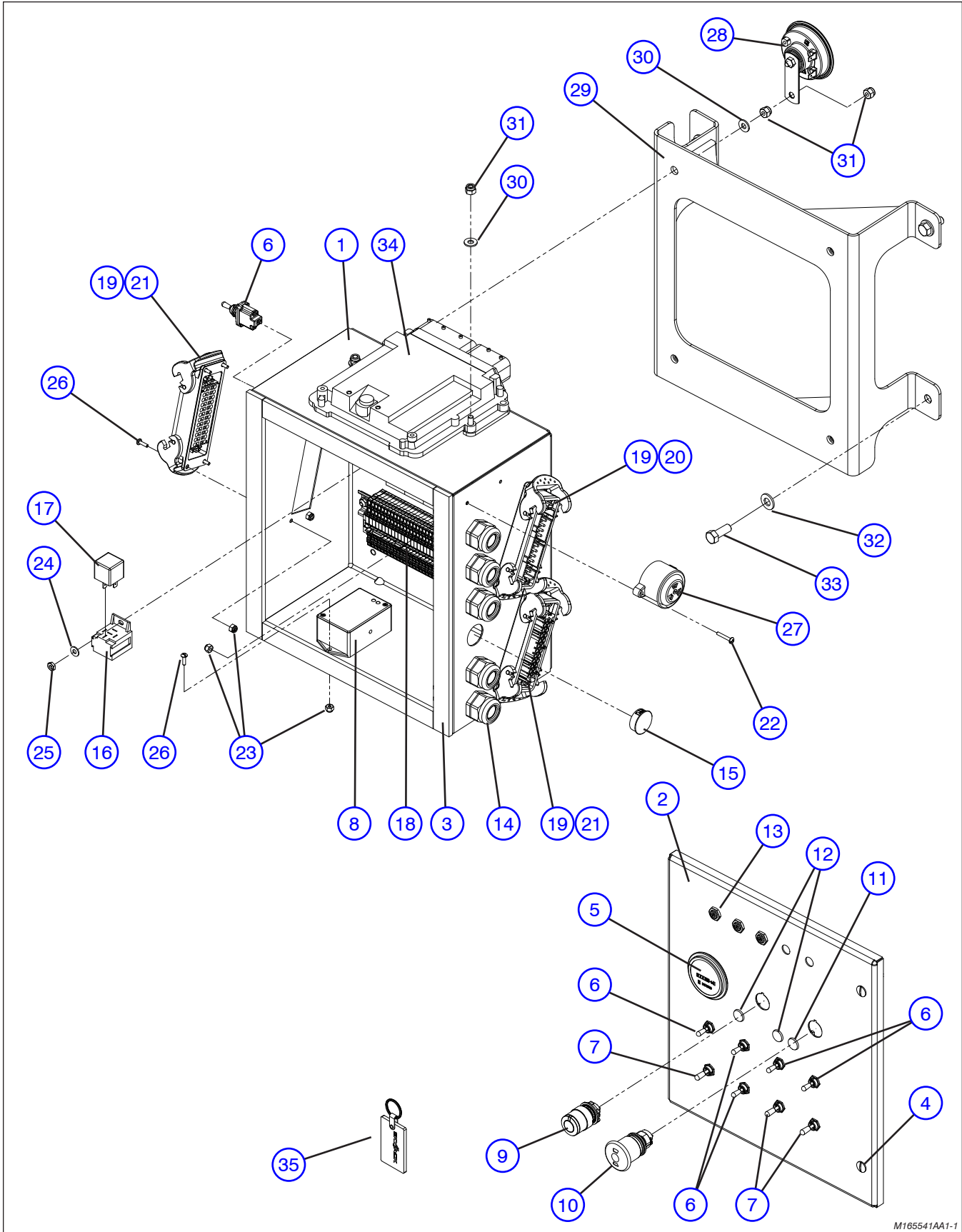
4.19 Battery Assembly



M167488AC_M170482AA

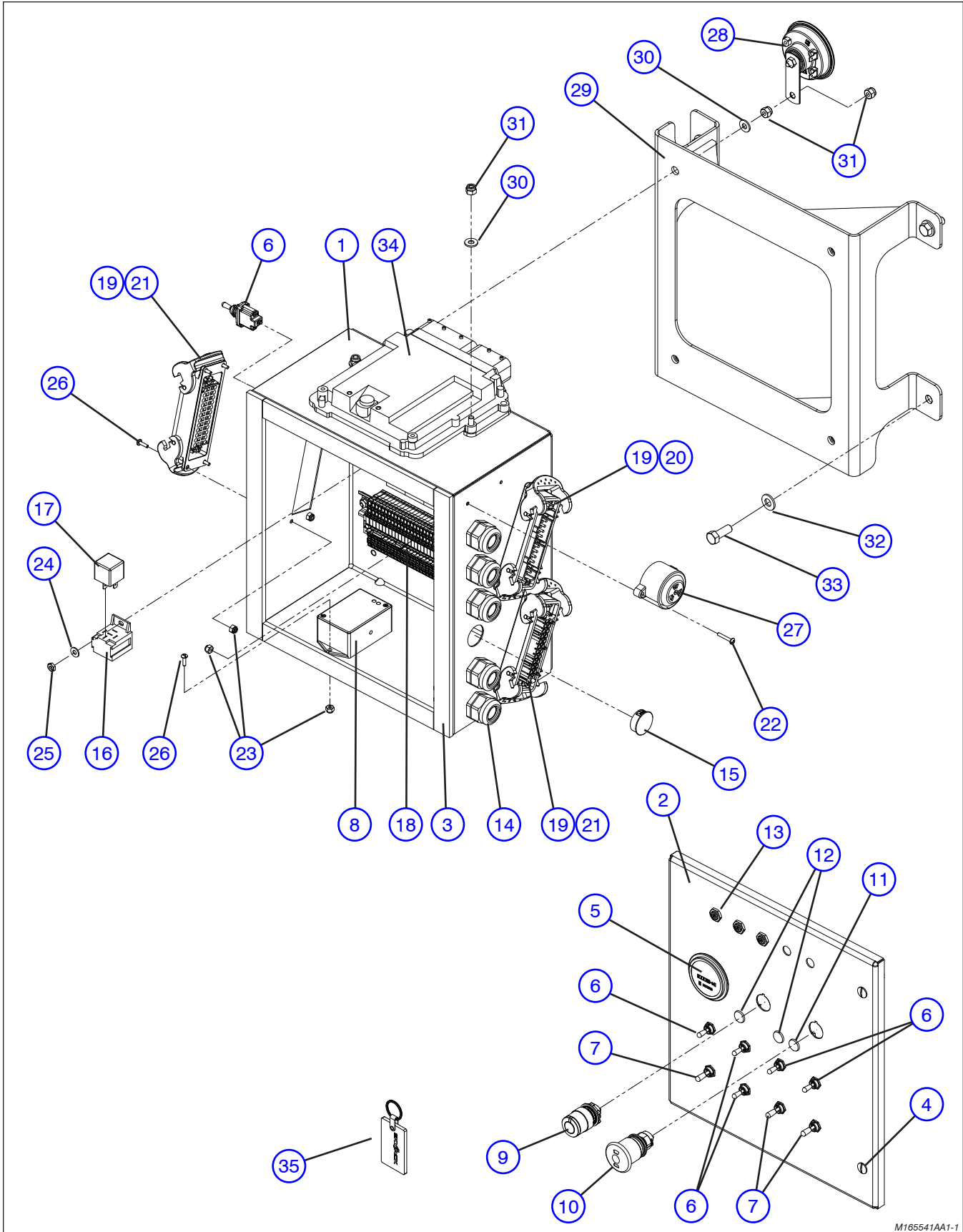
4.19 Battery Assembly

Index No.	Skyjack Part No.	Qty.	Description
-	167488	1	BATTERY ASSEMBLY
1	157464	1	• PAD, Battery
2	144676	1	• BATTERY (12V, 950 CCA)
3	150959	1	• BRACKET, Battery retainer
4	150960	1	• HOLD DOWN, Battery (pair)
5	119725	1	• SWITCH, Main lockout
6	108714	1	• MOUNT, Lock out switch
7	159915	1	• CABLE, Weld (#2/0 3/8" x 22 x 3/8")
8	138700	1	• CABLE, Battery
	139030	1	• • CLAMP, Battery post - positive
	139032	1	• • BOOT, Battery post - red
	139105	1	• • BOOT, Terminal - red
9	103472	6	• WASHER, Flat (3/8")
10	154243	1	• CABLE, Weld (#2/0, 21" x 3/8")
	139031	1	• • CLAMP, Battery post - negative
11	144129	1	• CLIP, Single (S332G10)
12	152341	1	• BOLT, Hex head (0.375"-16 x 0.50" Grade 5)
13	138704	1	• CABLE, Battery
	139106	1	• • BOOT, Terminal - red
14	103995	2	• WASHER, Flat (0.25")
15	115649	2	• NUT, Lock (0.25"-20 gr 5)
L	119674	1	• LABEL, Battery Disconnect
-	170482	1	CHARGE INDICATOR ASSEMBLY
16	152323	1	• INDICATOR, Charge
17	152344	1	• WIRE ASSEMBLY, Charge indicator (00) (not shown)
18	152345	1	• WIRE ASSEMBLY, Charge indicator (03) (not shown)



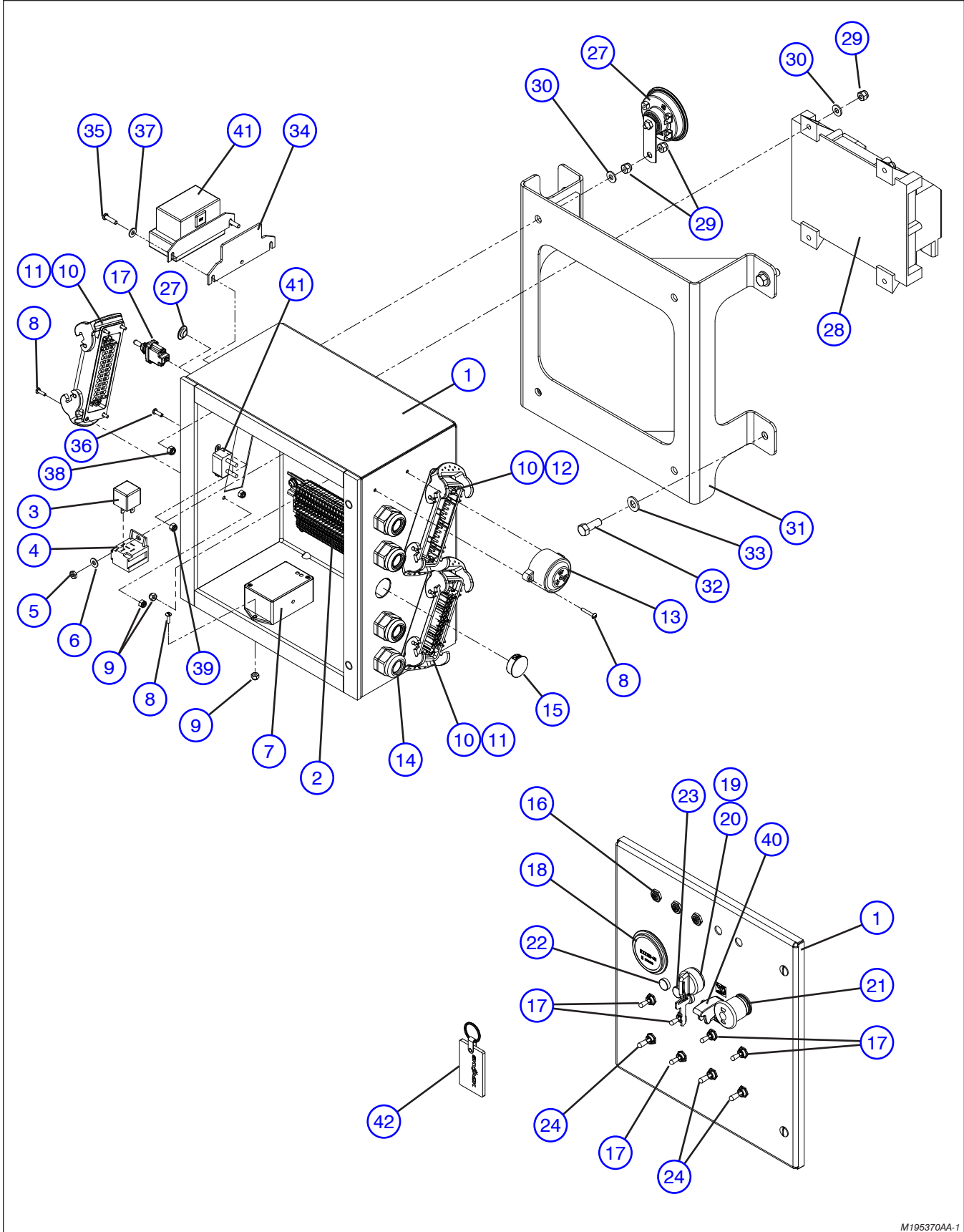
M165541AA1-1

Index No.	Skyjack Part No.	Qty.	Description
-	165541	-	BASE CONTROL ASSEMBLY (46AJ ANSI/CSA - Deutz D2.9L)
-	164929	1	• BASE CONTROL CONSOLE ASSEMBLY, Deutz
-	164931	1	• • CONTROL BOX
1	164932	1	• • • BODY, Control box
	149281	1	• • • HINGE, Continuous
2	164933	1	• • • DOOR, Control box
3	149282	1	• • • WEATHER STRIP
4	149437	1	• • • FASTENER, Door
	149320	1	• • • RETAINER, 1/4 Turn
	149321	1	• • • RECEPTACLE, 1/4 Turn
5	103336	1	• • HOUR METER
6	102853	6	• • SWITCH, Toggle
7	138278	3	• • SWITCH, Toggle
8	149426	1	• • ANGLE TRANSDUCER
9	164949	1	• • KEYSWITCH ASSEMBLY
	147056	1	• • • LATCH, Mounting
	166141	1	• • • BLOCK, NOEM Contact (black plunger)
	166142	1	• • • BLOCK, NCLB Contact (yellow plunger)
	149605	1	• • • SWITCH HEAD, Selector
10	144652	1	• • SWITCH, Emergency stop red
	147056	1	• • • LATCH, Mounting
	147053	1	• • • BLOCK, NC Contact
	147229	1	• • • BLOCK, LED 12V
	147051	1	• • • SWITCH HEAD, Emergency stop
11	164831	1	• • LIGHT INDICATOR, Green
12	133133	2	• • LIGHT INDICATOR, Amber
13	117325	3	• • CIRCUIT BREAKER (15 AMP)
14	116266	5	• • CONNECTOR, Heyco liquid tight
15	131938	1	• • PLUG (1 1/8")
16	138749	14	• • SOCKET, Automotive relay
17	127131	11	• • RELAY, (12V 40 AMP)
18	164816	1	• • TERMINAL STRIP (For components, refer to Section 4.22)
19	138751	3	• • HOUSING, Open bottom 24 pin levered
20	138755	1	• • PLUG, 24 Pin spring (16A)
21	138756	2	• • SOCKET, 24 Pin spring (16A)
22	126499	2	• • SCREW, Round head machine (#8-32 x 7/8")
23	138765	16	• • NUT, Hex lock (#8-32 Grade 5, nylon)
24	104694	6	• • WASHER, Flat (#10)
25	104003	6	• • NUT, Hex head (#10-32)
26	103957	14	• • SCREW, Round head machine (#8-32 x 1/2")
27	103056	1	• • BEEPER (7.5 - 16 VDC)
			Parts list continued from the previous page.



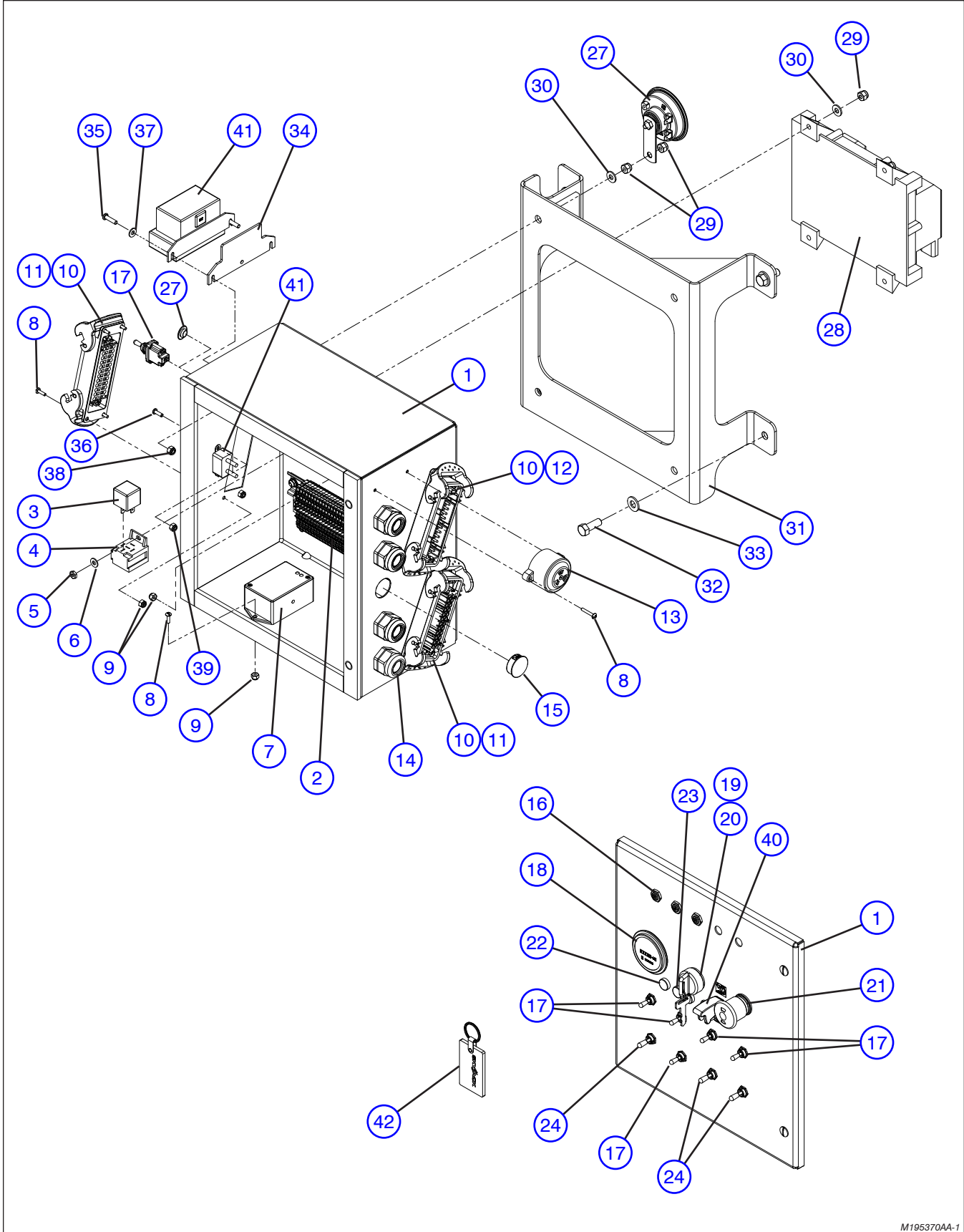
M165541AA1-1

Index No.	Skyjack Part No.	Qty.	Description
			Parts list continued from the previous page.
28	146652	1	• • HORN (12V)
29	149056	1	• BRACKET, Lower control box mount
30	103995	6	• WASHER, Flat (1/4")
31	115649	7	• NUT, Hex head (1/4"-20, Grade 5)
32	125959	3	• WASHER, Flat (3/8")
33	103473	3	• BOLT, Hex head (3/8"-16 x 1.00", Grade 5)
34	164845	1	ENGINE CONTROL UNIT, Deutz
35	114710	1	KEYRING



M195370AA-1

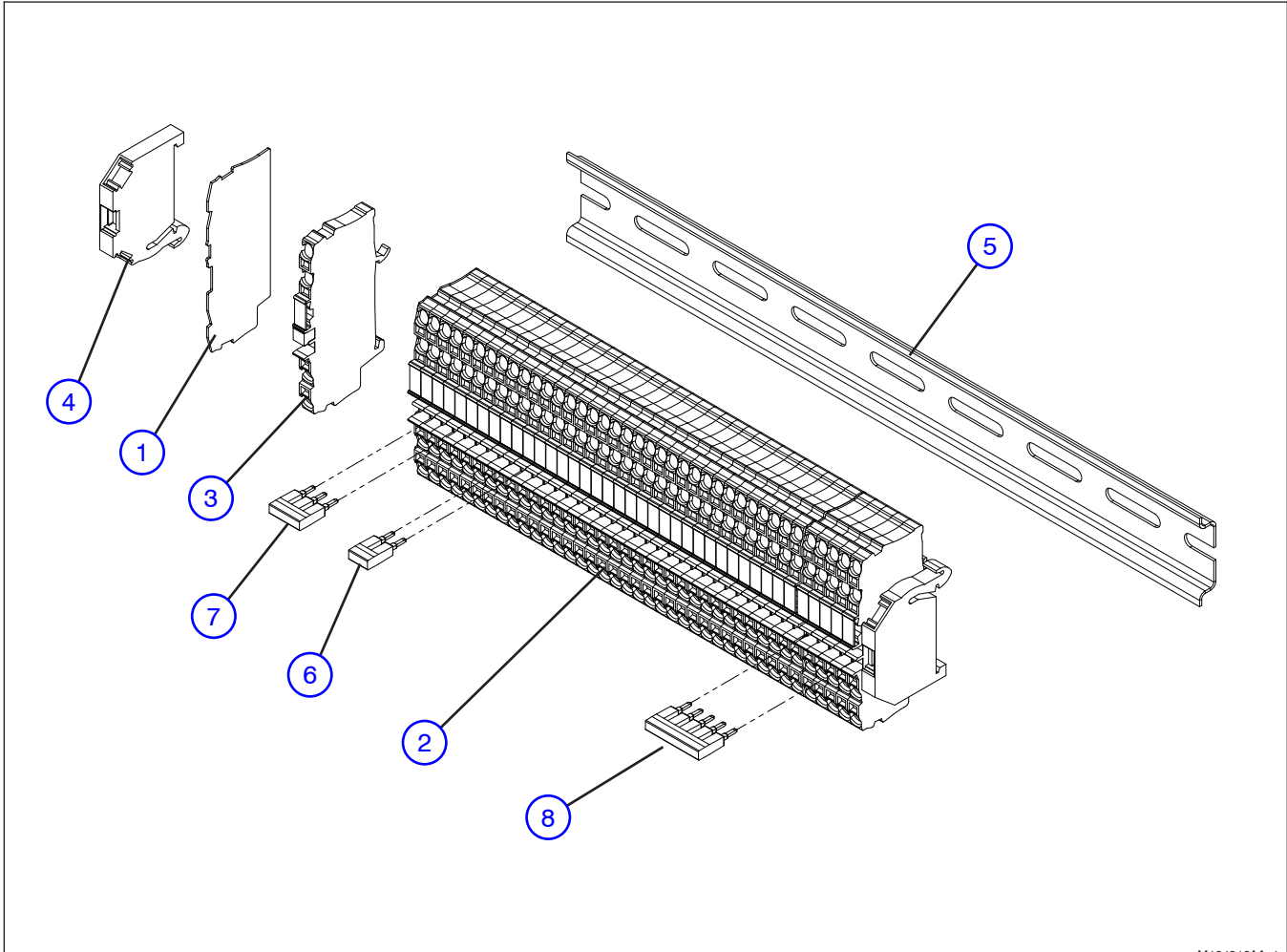
Index No.	Skyjack Part No.	Qty.	Description
A	163571	-	BASE CONTROLS (46AJ ANSI/CSA - Deutz D2011)
B	195416	-	BASE CONTROLS (46AJ ANSI/CSA - Deutz D2011 w/Positive Air Shut-Off)
C	163581	-	BASE CONTROLS (46AJ/51AJ CE - Deutz D2011)
D	163611	-	BASE CONTROLS (46AJ/51AJ AS - Deutz D2011)
E	163578	-	BASE CONTROLS (46AJ ANSI/CSA - GM)
F	170412	-	BASE CONTROLS (46AJ ANSI/CSA - Kubota)
1	149278	1	• CONTROL BOX, A, C, D, E, F
	195371	1	• CONTROL BOX, B
	149279	1	• • BODY, Control box
	149281	1	• • HINGE, Steel
	149280	1	• • DOOR, Control box
	149282	1	• • WEATHER STRIP
	149437	2	• • FASTENER, Door
	149320	2	• • RETAINER, 1/4 Turn
	149321	2	• • RECEPTACLE, 1/4 Turn
2	(Ref.)	-	• TERMINAL STRIP, Base (For components, refer to Section 4.22)
3	127131	11	• RELAY, (12V 40 AMP), A
		12	• RELAY, (12V 40 AMP), B, C, D
		8	• RELAY, (12V 40 AMP), E, F
4	138749	14	• SOCKET, Automotive relay, A, B, C, D
		11	• SOCKET, Automotive relay, E, F
5	104003	6	• NUT, Hex head (#10-32)
6	104694	6	• WASHER, Flat (#10)
7	149426	1	• ANGLE TRANSDUCER
8	103957	14	• SCREW, Round head machine (#8-32 x 1/2"), A, B, D, E, F
		16	• SCREW, Round head machine (#8-32 x 1/2"), C
9	138765	16	• NUT, Hex lock (#8-32 Grade 5, nylon)
10	138751	3	• HOUSING, Open bottom 24 pin levered
11	138756	2	• SOCKET, 24 Pin spring (16A)
12	138755	1	• PLUG, 24 Pin spring (16A)
13	103056	1	• BEEPER (7.5 - 16 VDC), A, B, D, E, F
14	116266	4	• CONNECTOR, Heyco liquid tight
15	131938	1	• PLUG (1 1/8")
16	117325	3	• CIRCUIT BREAKER (15 AMP)
17	102853	6	• SWITCH, Toggle, A, B, C, D
		5	• SWITCH, Toggle, E, F
18	103336	1	• HOUR METER
19	138277	1	• KEYSWITCH (3-position), A, B, D, E, F
	138137	1	• • KEY (#455)
	138136	1	• • NUT, Key switch
	144366	1	• KEYSWITCH (3-position), C
			Parts list continued from the previous page.



M195370AA-1

Index No.	Skyjack Part No.	Qty.	Description
			Parts list continued from the previous page.
20	138767	1	• WASHER, Internal tooth (7/8", zinc)
21	144652	1	• SWITCH, Emergency stop red
	147056	1	• • LATCH, Mounting
	147053	1	• • BLOCK, NC Contact
	147229	1	• • SWITCH, LED block
	147051	1	• • SWITCH HEAD, Emergency stop
22	148971	1	• LIGHT, Pilot (Amber)
23	148972	1	• LIGHT, Pilot (Green), A, B, C, D
	139127	1	• PLUG, Hole (1/2"), E, F
24	138278	3	• SWITCH, Toggle
25	146652	1	• HORN (12V)
26	126499	2	• SCREW, Round head machine (#8-32 x 7/8"), A, B, D, E, F
27	139127	1	• PLUG, Hole (1/2"), E, F
28	138725	1	ENGINE CONTROL UNIT, Deutz, A, B, C, D
	196016	1	ENGINE CONTROL UNIT, GM, E
29	115649	9	NUT, Hex lock (1/4"-20 Grade 5, nylon), A, B, C, D
		5	NUT, Hex lock (1/4"-20 Grade 5, nylon), E, F
30	103995	8	WASHER, Flat (1/4"), A, B, C, D
		4	WASHER, Flat (1/4"), E, F
31	149056	1	BRACKET, Base control mounting
32	103473	3	BOLT, Hex head (3/8"-16 x 1", Grade 5)
33	125959	3	WASHER, Flat hardened (3/8")
34	195404	1	BACKPLATE, PASO controller, B
35	104698	2	SCREW, Round head machine (10-32 x 0.75"), B
36	103957	2	SCREW, Round head machine (8-32 x 0.50"), B
37	104694	2	WASHER, Flat (#10), B
38	300450	2	NUT, Hex head nylon lock (10-32), B
39	138765	2	NUT, Hex head nylon lock (8-32), B
40	164832	1	LIGHT, Indicator 12V (red), B
41	(Ref.)	1	POSITIVE AIR SHUT-OFF ASSEMBLY, B (For components, refer to Section 9.30)
42	114710	1	KEYRING

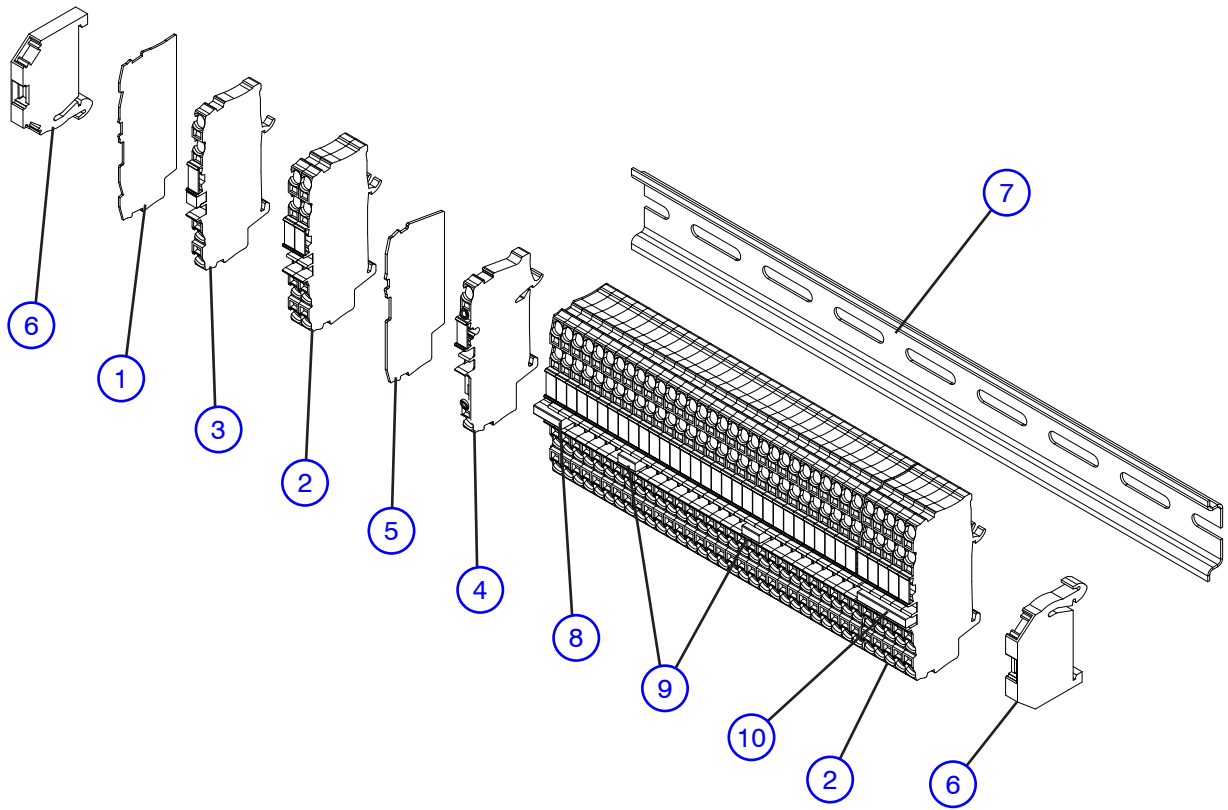
4.22 Base Terminal Strip (ANSI/CSA & AS)



M164816AA_1

Index No.	Skyjack Part No.	Qty.	Description
A	148925	1	TERMINAL STRIP, Base (ANSI/CSA & AS with GM, Kubota or Deutz D2011)
B	164816	1	TERMINAL STRIP, Base (ANSI/CSA with Deutz TD2.9L)
1	137941	3	• PLATE, End
2	137940	37	• TERMINAL BLOCK, Through, A
	137940	39	• TERMINAL BLOCK, Through, B
3	170927	1	• TERMINAL BLOCK, Diode
4	707147	2	• STOP, End
5	102874	11.4"	• RAIL, Din
6	137942	3	• JUMPER, 2 pin (25A), A
		1	• JUMPER, 2 pin (25A), B
7	137943	1	• JUMPER, 3 pin (25A), B
8	170928	1	• JUMPER, 5 pin (25A)

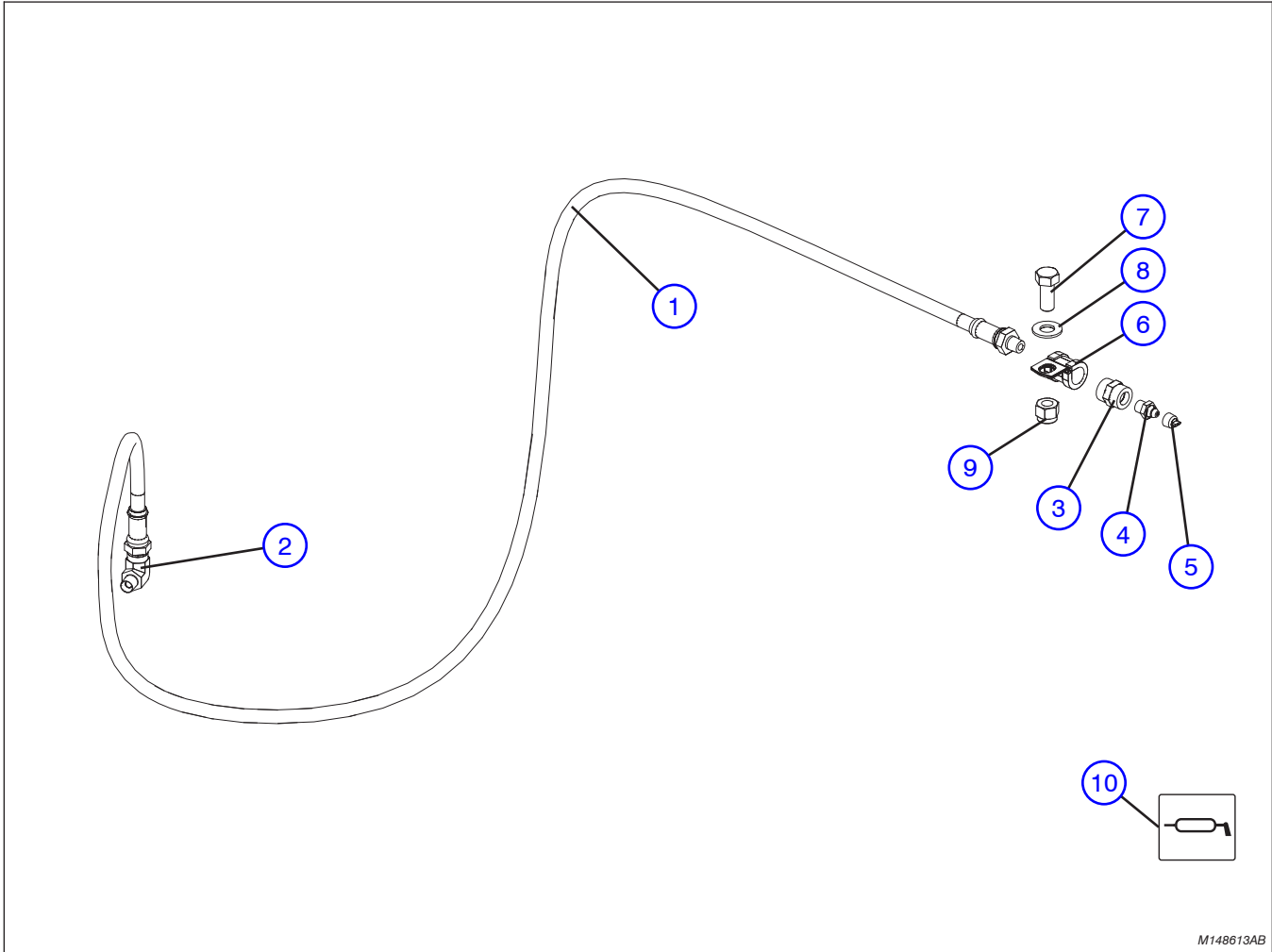
4.23 Base Terminal Strip (CE)



M170757AB

Index No.	Skyjack Part No.	Qty.	Description
-	170757	1	TERMINAL STRIP, Base (CE with Deutz D2011 engine)
1	137941	3	• PLATE, End
2	137940	37	• TERMINAL BLOCK, Through
3	170927	1	• TERMINAL BLOCK, Diode
4	170607	1	• TERMINAL BLOCK, Fuse holder
5	170606	1	• PLATE, End
6	707147	2	• STOP, End
7	102874	11.4"	• RAIL, Din
8	137943	1	• JUMPER, 3 pin (25A)
9	137942	2	• JUMPER, 2 pin (25A)
10	170928	1	• JUMPER, 5 pin (25A)
11	170626	1	FUSE, ATM - 10A (not shown)

4.24 Grease Line Hose Assembly

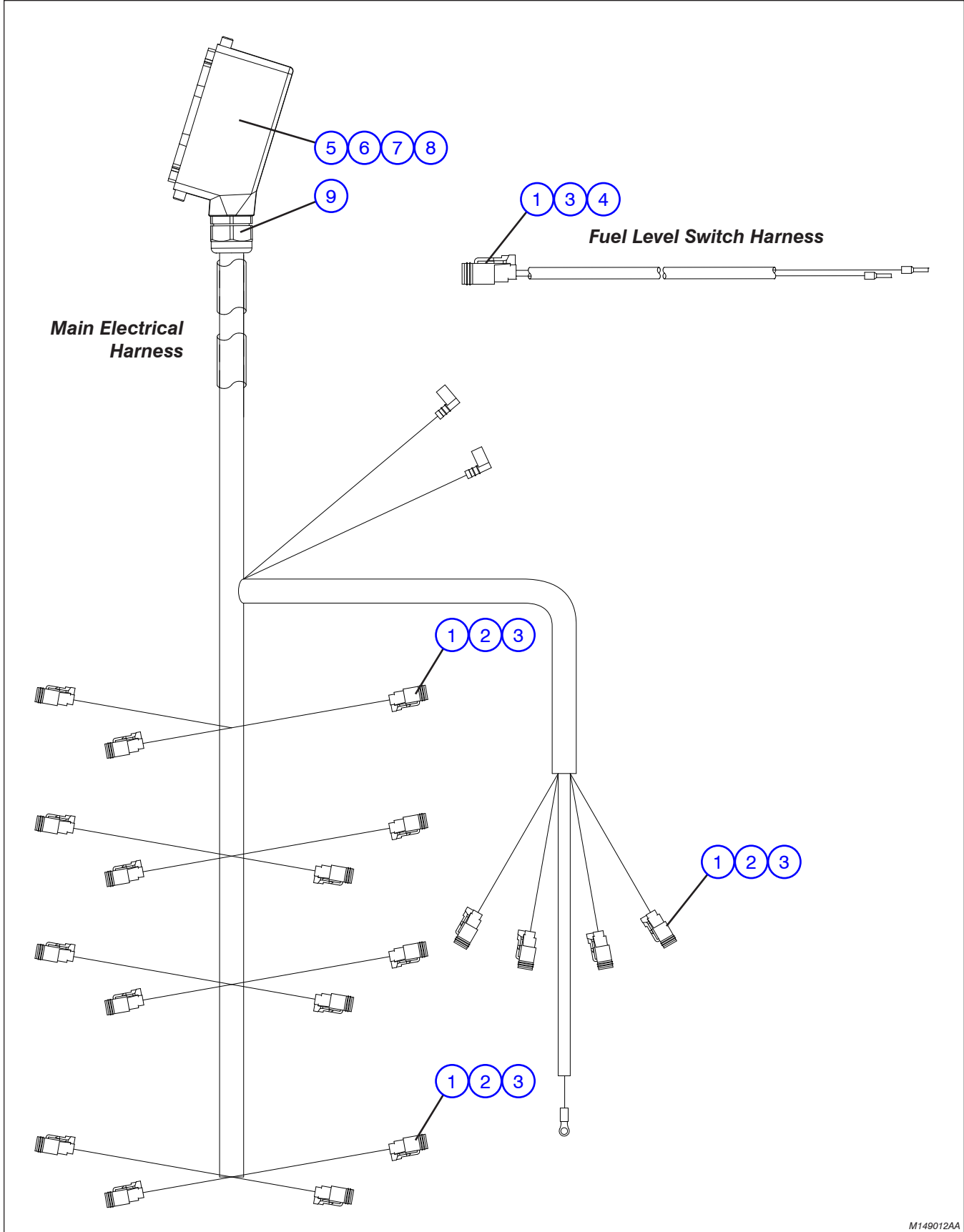


M148613AB

Index No.	Skyjack Part No.	Qty.	Description
-	148613	1	GREASE LINE HOSE ASSEMBLY
1	139090	1	• LINE, Grease
2	139094	1	• FITTING, Elbow 90° (1/8 NPTM - 1/8 NPTF)
3	139095	1	• FITTING, Straight (1/8 NPTF - 1/8 NPTF)
4	102027	1	• FITTING, Straight grease (1/8 NPT)
5	132565	1	• CAP
6	144129	1	• CLIP, Single
7	300437	1	• BOLT, Hex head (3/8"-16 x 7/8", Grade 5)
8	103472	1	• WASHER, Flat (3/8")
9	104606	1	• NUT, Hex lock (3/8"-16 Grade 5, nylon)
10	(Ref.)	-	GREASE (For components, refer to Section 11.3)

- 5.1 *Main Electrical Harness and Fuel Level Switch Harness*
- 5.2 *Cable Harnesses*
- 5.3 *Control Cable Harnesses*
- 5.4 *Valve Harnesses*
- 5.5 *110/220V Outlet Harness*
- 5.6 *Glow Plug Harness (Deutz D2.9L Diesel Engine)*
- 5.8 *Glow Plug Harness (Deutz D2011L Diesel Engine)*
- 5.8 *ECU Harnesses (Deutz D2011 Engine)*
- 5.9 *Engine Interface Harness (Deutz D2.9L Engine)*
- 5.10 *Engine Interface Harness (Kubota Engine)*
- 5.11 *Engine Interface Harness (GM Engine)*

5.1 Main Electrical Harness and Fuel Level Switch Harness

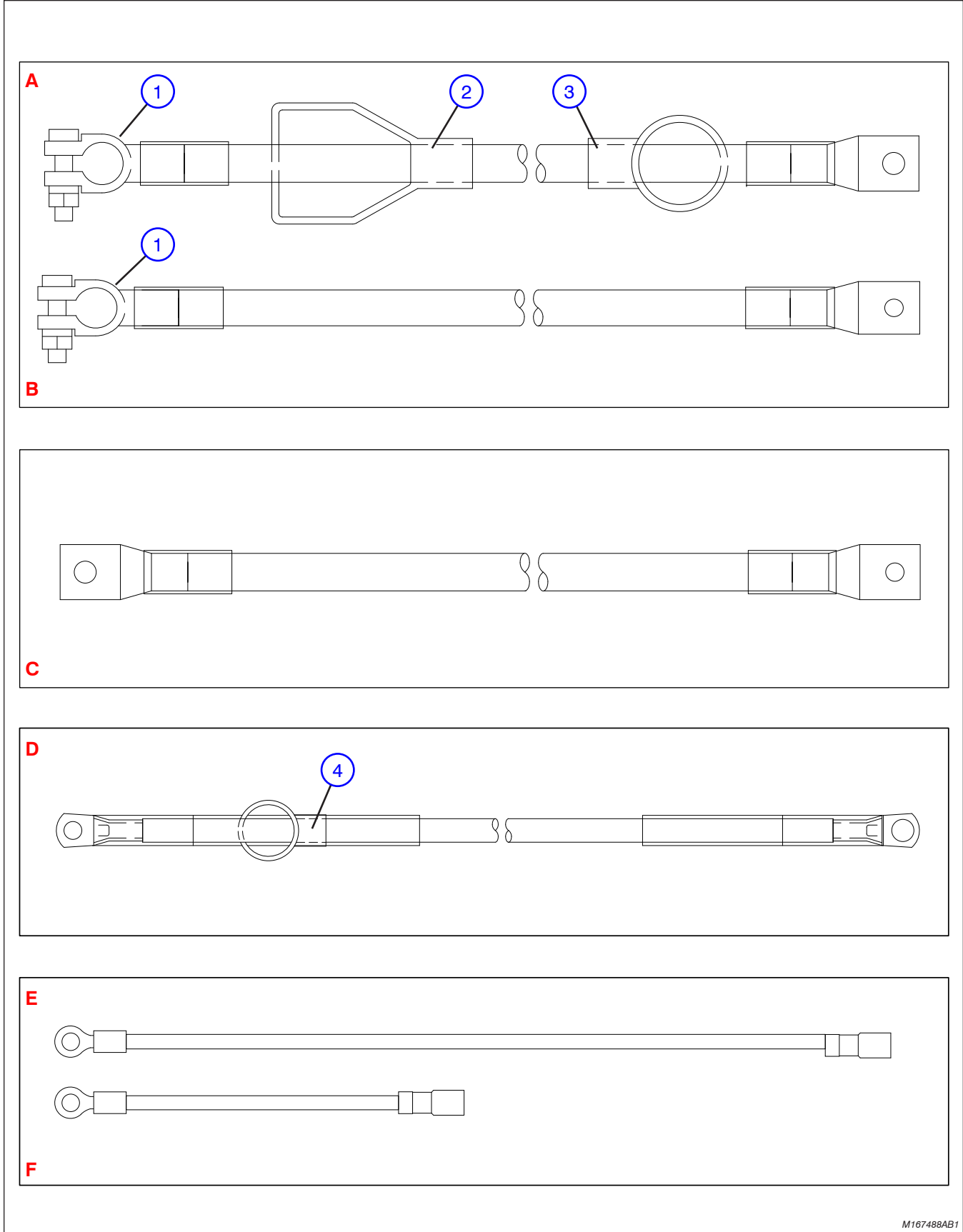


M149012AA

5.1 Main Electrical Harness and Fuel Level Switch Harness

Index No.	Skyjack Part No.	Qty.	Description
A	149012	1	HARNESS, Main electrical
B	149427	1	HARNESS, Fuel level switch
1	117597	19	<ul style="list-style-type: none"> • PLUG, Deutsch (2-pin), A
		1	<ul style="list-style-type: none"> • PLUG, Deutsch (2-pin), B
2	117591	38	<ul style="list-style-type: none"> • SOCKET, Deutsch (16/18 GA)
3	117599	19	<ul style="list-style-type: none"> • WEDGE, Deutsch (2-pin), A
		1	<ul style="list-style-type: none"> • WEDGE, Deutsch (2-pin), B
4	117590	2	<ul style="list-style-type: none"> • CONNECTOR, Contact (16-18)
5	138753	1	<ul style="list-style-type: none"> • HOOD, Side 24 pole (M32)
6	138755	1	<ul style="list-style-type: none"> • PLUG, 24 pole spring (16A)
7	115401	21	<ul style="list-style-type: none"> • FERULE (18GA)
8	138044	4	<ul style="list-style-type: none"> • FERULE (14GA)
9	138754	1	<ul style="list-style-type: none"> • STRAIN, RELIEF (M32 x 1.5)

5.2 Battery Cables

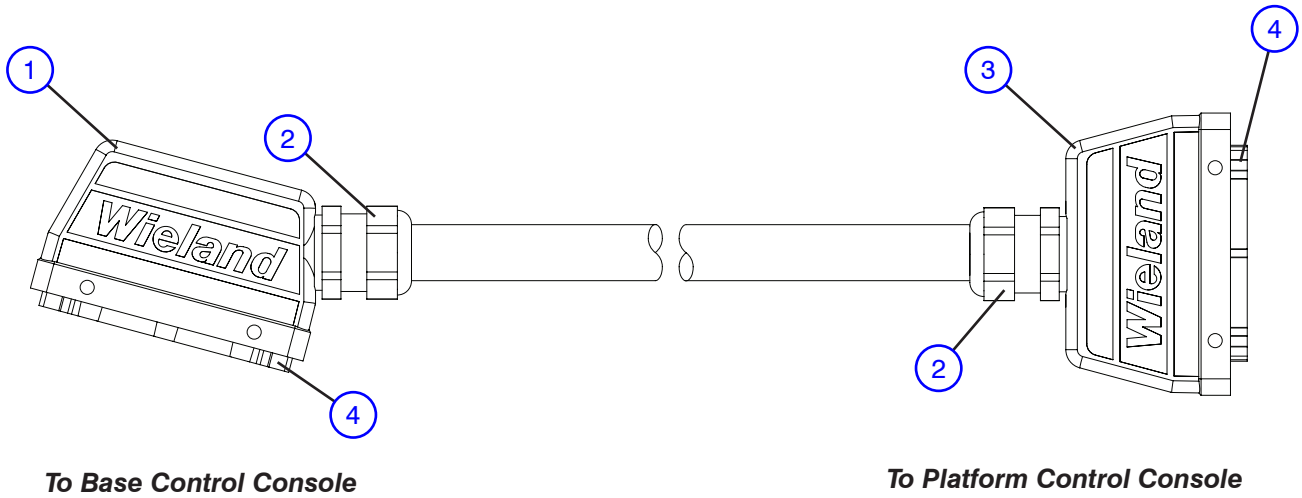


M167488AB1

5.2 Battery Cables

Index No.	Skyjack Part No.	Qty.	Description
A	138700	1	CABLE HARNESS (Battery positive to battery disconnect)
B	154243	1	CABLE HARNESS (Battery negative to turret ground)
C	159915	1	CABLE HARNESS (Flywheel to turret)
D	138704	1	CABLE HARNESS (Emergency pump to battery disconnect)
E	152344	1	WIRE ASSEMBLY (Charge indicator, 00) (CE & AS - Deutz)
F	152345	1	WIRE ASSEMBLY (Charge indicator, 03) (CE & AS - Deutz)
1	139030	1	• POST CLAMP, Battery (#2/0 positive), A
	139031	1	• POST CLAMP, Battery (#2/0 negative), B
2	139032	1	• POST BOOT, Battery (#2/0 red), A
3	139105	1	• TERMINAL BOOT (#2/0 red), A
4	139106	1	• TERMINAL BOOT (#1 red), D

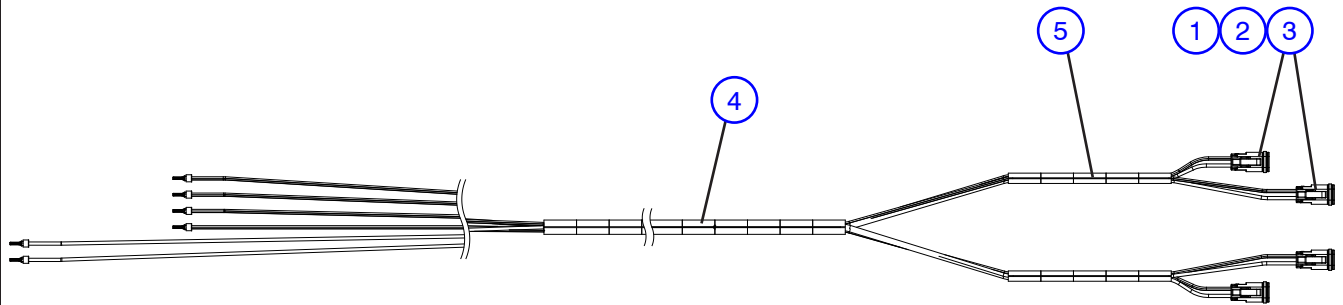
5.3 Control Cable Harnesses



M138758-A

Index No.	Skyjack Part No.	Qty.	Description
A	149291	1	CABLE HARNESS, Control "C" (Male ends) (46AJ)
B	149292	1	CABLE HARNESS, Control "D" (Female ends) (46AJ)
C	149293	1	CABLE HARNESS, Control "C" (Male ends) (51AJ)
D	149294	1	CABLE HARNESS, Control "D" (Female ends) (51AJ)
1	138753	1	<ul style="list-style-type: none"> • HOOD, Side 24 (M32)
2	138754	2	<ul style="list-style-type: none"> • RELIEF, Strain (M32 x 1.5)
3	138752	1	<ul style="list-style-type: none"> • HOOD, Top 24 pole (M32)
4	138755	2	<ul style="list-style-type: none"> • PLUG, 24 Pole spring (16A), A, C
	138756	2	<ul style="list-style-type: none"> • SOCKET, 24 Pole spring (16A), B, D

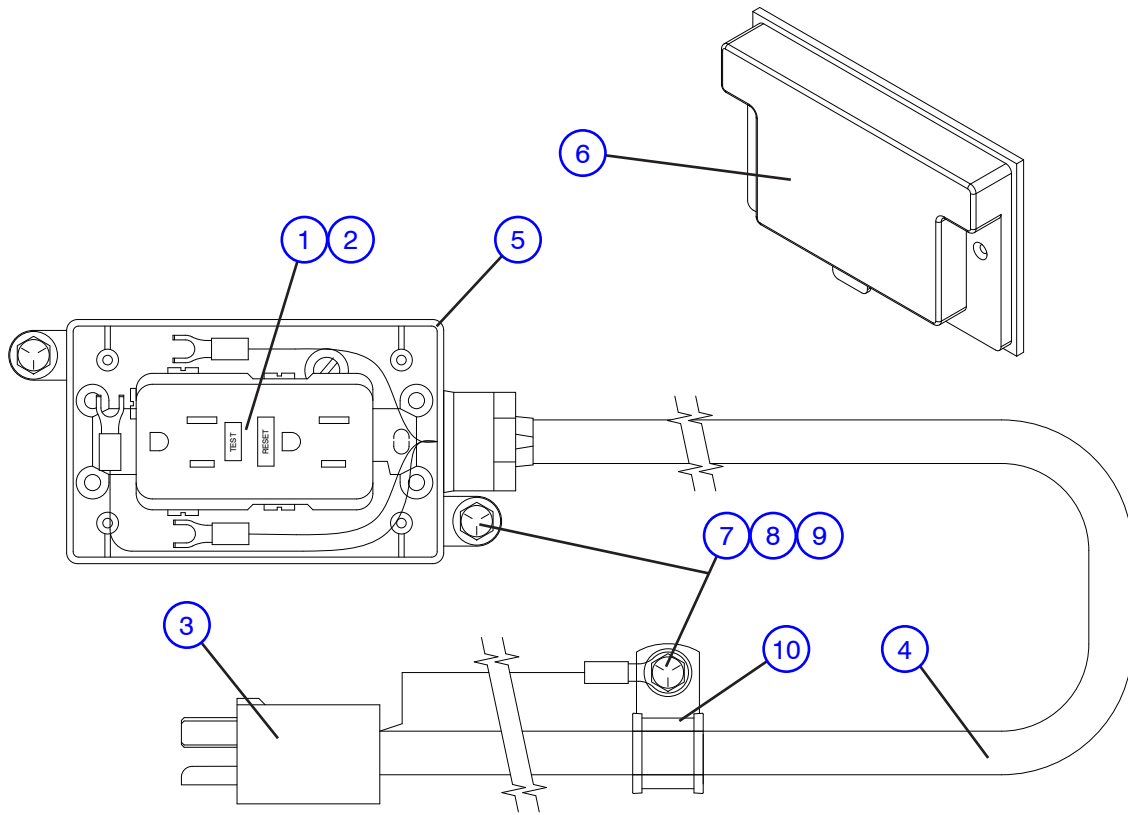
5.4 Jib/Rotate Valve Harness



M167884AC

Index No.	Skyjack Part No.	Qty.	Description
-	167884	1	HARNESS, Jib/platform rotate valve
1	117597	4	• CONNECTOR, Plug (2-pin)
2	117599	4	• CONNECTOR, Plug (2-pin wedge)
3	117591	8	• CONNECTOR, Contact socket (16/18 GA)
4	111354	91"	• PROTECTOR, Wire (3/8")
5	124399	20"	• PROTECTOR, Wire (1/4")

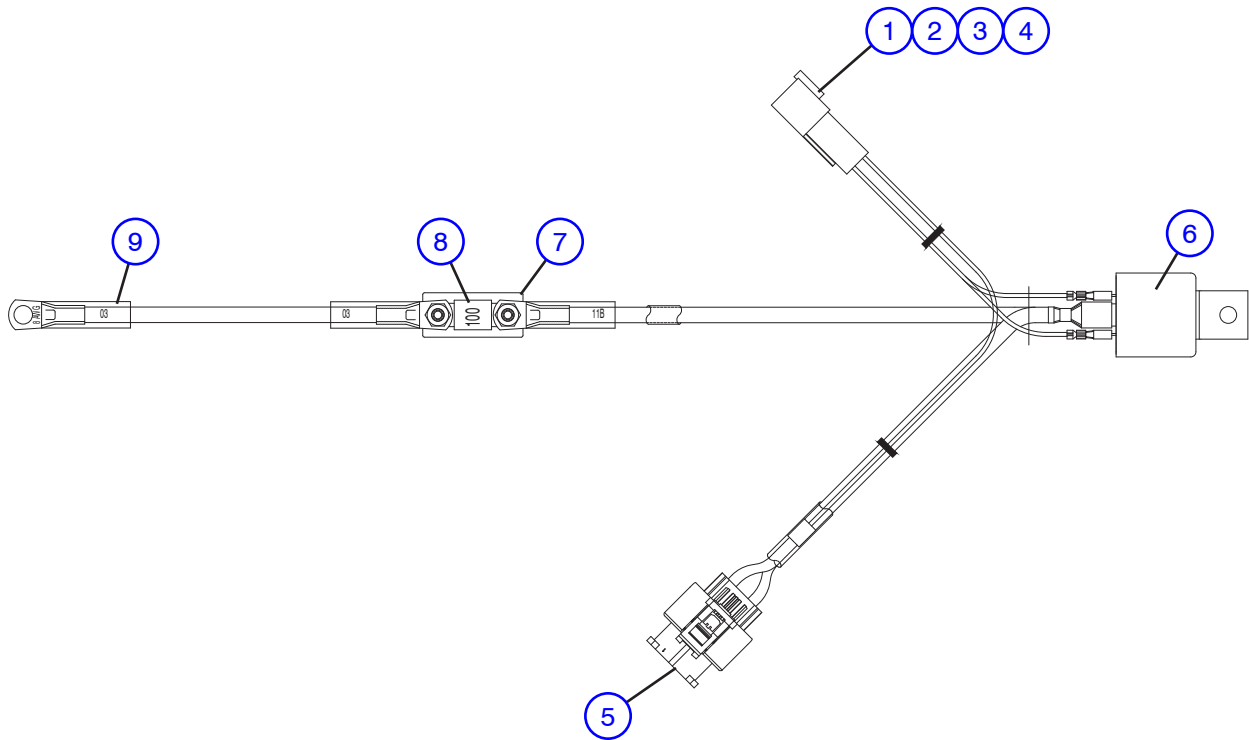
5.5 110/220V Outlet Assembly



M1448634AA

Index No.	Skyjack Part No.	Qty.	Description
A	148634	1	110V OUTLET ASSEMBLY (46AJ ANSI/CSA)
B	148635	1	220V OUTLET ASSEMBLY (46AJ CE & AS)
C	148636	1	220V OUTLET ASSEMBLY (51AJ CE & AS)
1	109698	1	• RECEPTACLE, GFI, A
2	121461	2	• BOLT, Machine round head (6-32 UNC x 3/8"), A
-	149492	1	• 110V CABLE ASSEMBLY, A
3	104208	1	• PLUG, Male (15A - 225V), A
4	103259	758"	• CABTIRE (12/3 300V), A
	103259	734"	• CABTIRE (12/3 300V), B
	103259	818"	• CABTIRE (12/3 300V), C
4	136328	1	• BOX, AC outlet, A
5	109699	1	• PLATE, Weatherproof cover, A
6	115649	3	• NUT, Hex nylon lock (1/4"-20, Grade 5)
7	103857	3	• BOLT, Hex head (1/4"-20 x 1", Grade 5)
8	103995	3	• WASHER, Flat (1/4")
9	103024	1	• CLIP, Single (G8)

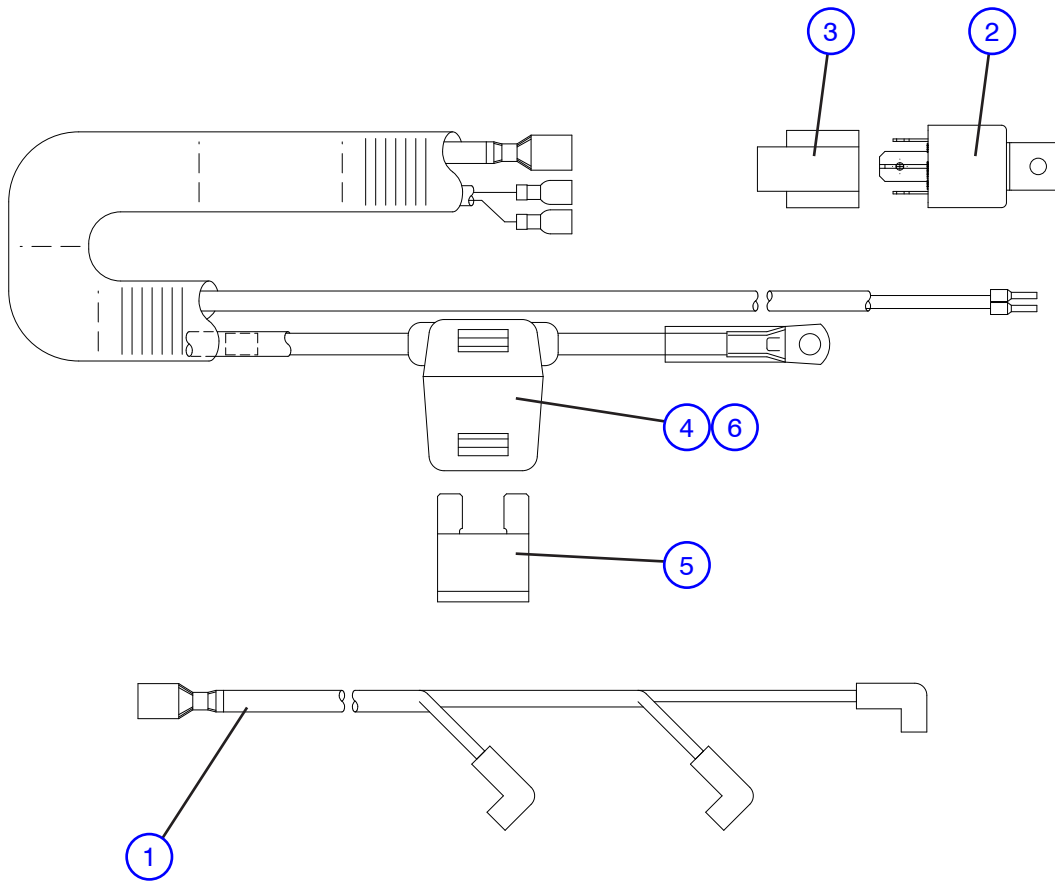
5.6 Glow Plug Harness - Deutz D2.9L Diesel Engine



M165028AB

Index No.	Skyjack Part No.	Qty.	Description
-	165028	1	HARNESS ASSEMBLY, Glow Plug (Deutz D2.9L Engine)
-	165048	1	• HARNESS, Glow plug
1	117578	1	• • RECEPTACLE, Connector (4 pin)
2	117580	1	• • RECEPTACLE, Connector (4 pin wedge)
3	117590	3	• • CONTACT PIN, Connector (16-18)
4	117594	1	• • SEALING PLUG, Connector
5	165050	1	• • CONNECTOR, (2F TYCO BNG1)
6	165029	1	• RELAY, 150A (12V SPST)
7	165030	1	• HOLDER, Fuse (Inline)
8	165031	1	• FUSE, Bolt-down (100A)
9	165049	1	• WIRE ASSEMBLY, Power (Glow plug)

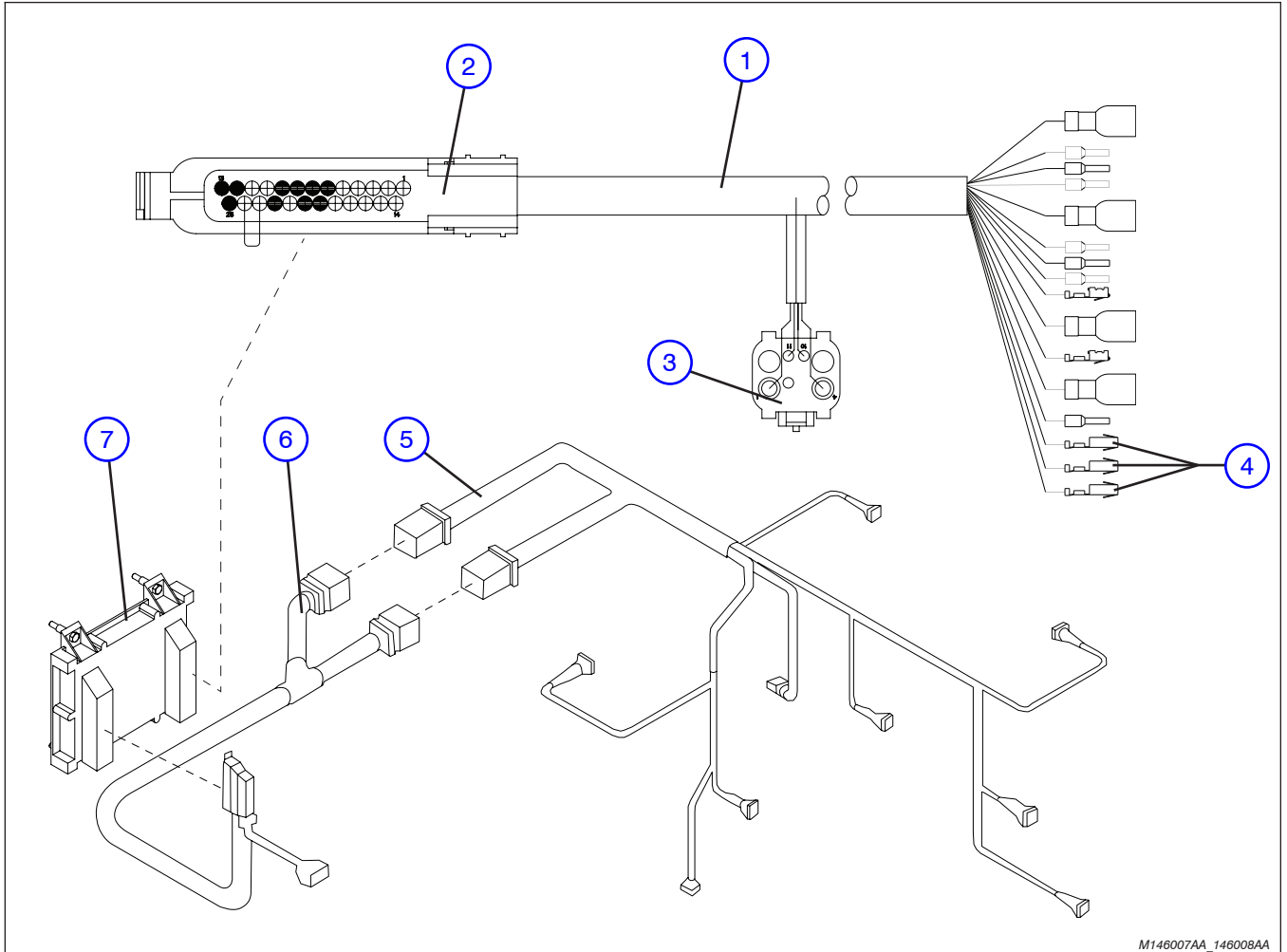
5.7 Glow Plug Harness - Deutz D2011 Engine



M148653AA

Index No.	Skyjack Part No.	Qty.	Description
-	148653	-	GLOW PLUG HARNESS (Deutz D2011 Engine)
1	139199	1	• HARNESS, Glow plug, Deutz
-	149439	1	• HARNESS, Relay - glow plug
2	138844	1	• • RELAY, 80A 12C SPST
3	138845	1	• • SOCKET, 80A relay
4	138847	1	• • FUSE HOLDER, Inline
5	138848	1	• • FUSE, 50A
6	139195	1	• • COVER, Fuse holder

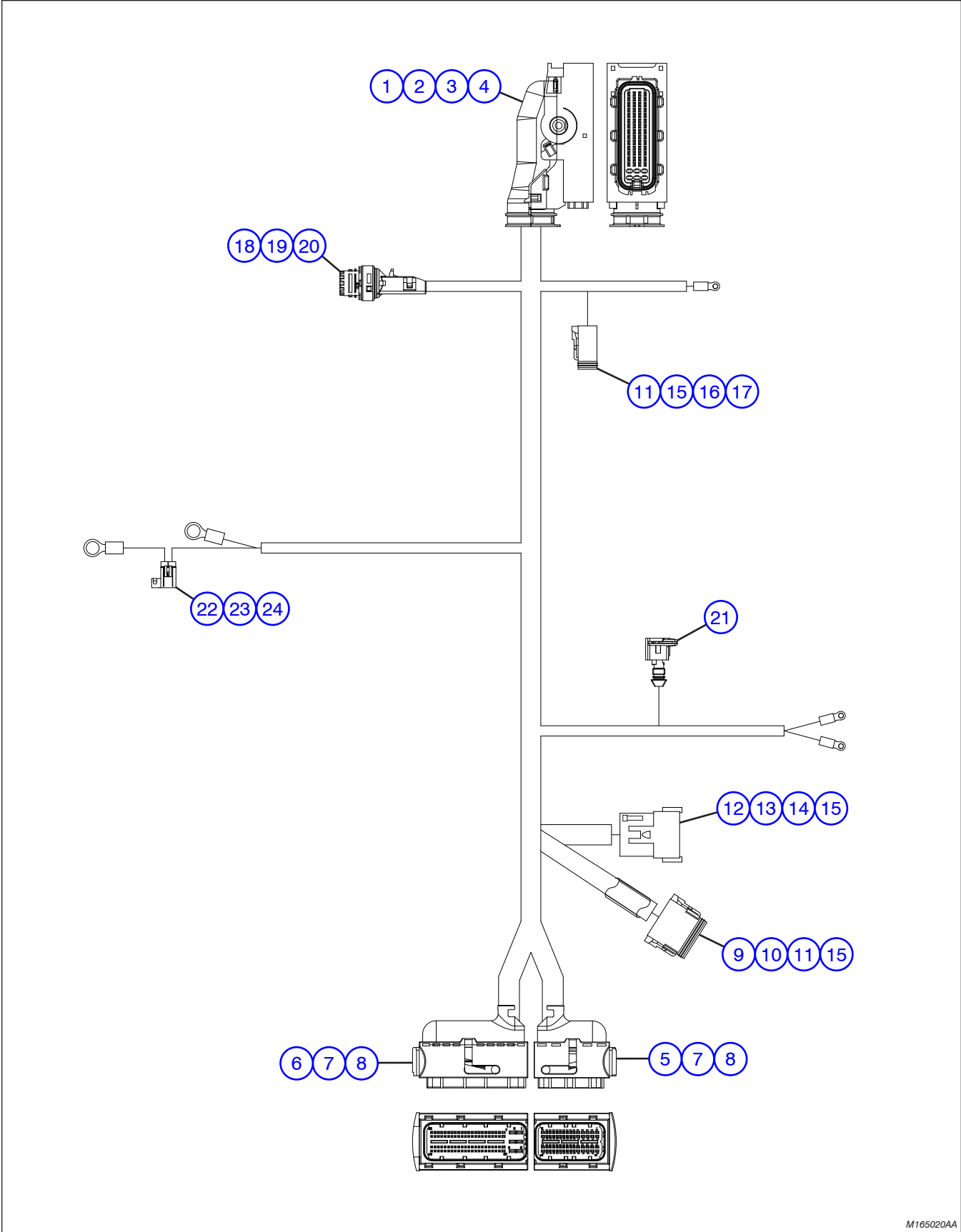
5.8 ECU Harnesses - Deutz D2011 Engine



M146007AA_146008AA

Index No.	Skyjack Part No.	Qty.	Description
1	148927	-	HARNESS, ECU (Deutz D2011 Engine)
2	138574	1	• CONNECTOR KIT, Deutz controller
3	150975	1	• CONNECTOR KIT, Universal
4	138576	1	• CONNECTOR KIT, Deutz programming
5	146007	1	HARNESS, Cable
6	146008	1	HARNESS, Interconnect Cable
7	(Ref.)	1	ENGINE CONTROL UNIT, Deutz (For components, refer to Section 4.21)

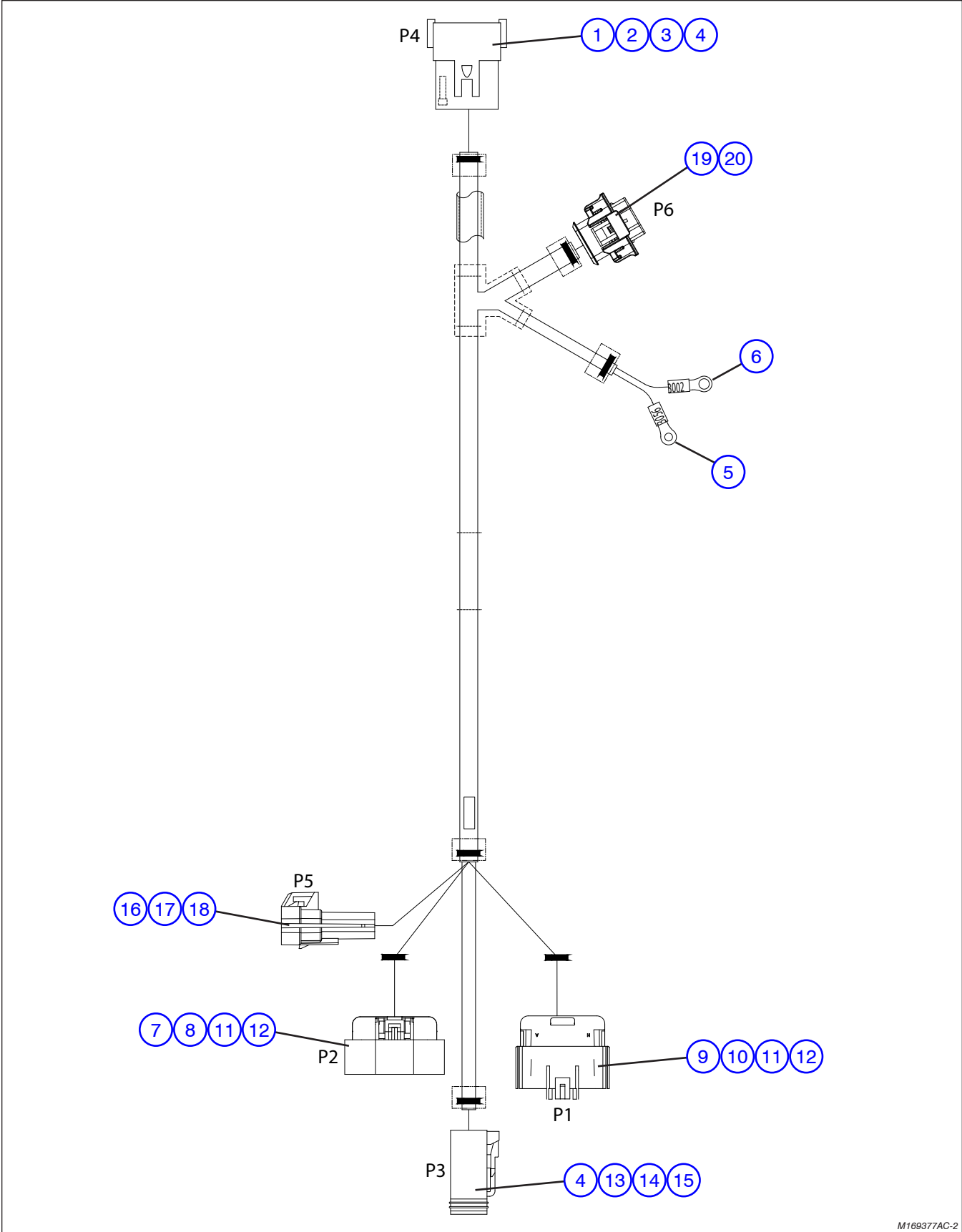
5.9 Engine Interface Harness - Deutz D2.9L



M165020AA

5.9 Engine Interface Harness - Deutz D2.9L

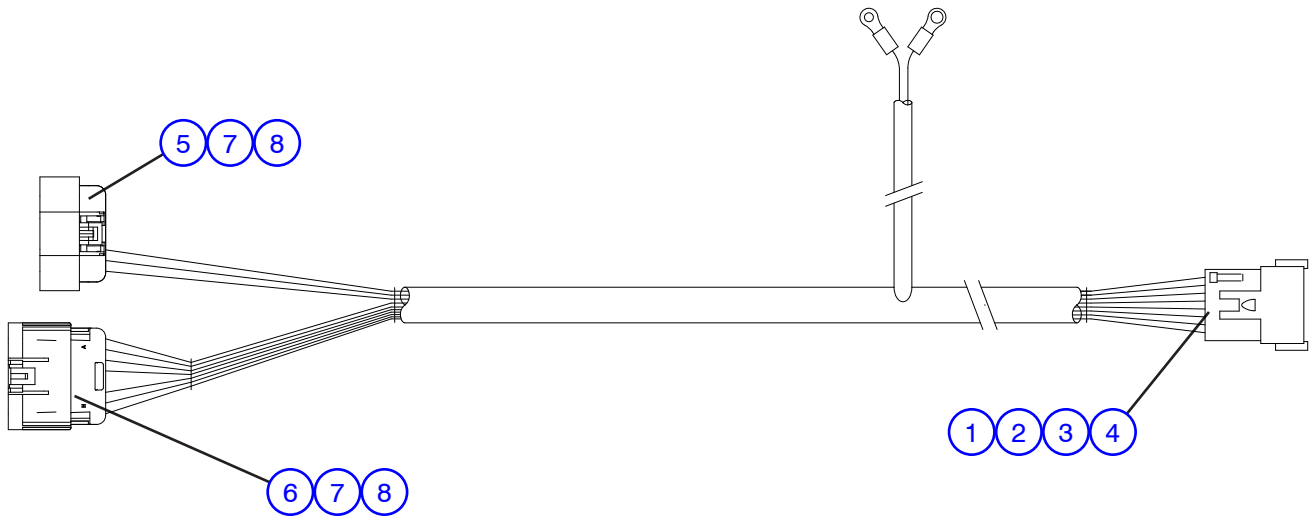
Index No.	Skyjack Part No.	Qty.	Description
-	165020	1	HARNESS, Engine interface (Deutz D2.9L)
1	164544	1	• CONNECTOR, (62F AMP MCP)
2	164545	1	• COVER, Connector (62 pin)
3	164548	24	• PLUG, Cavity (3.6mm MCP)
4	164551	4	• PLUG, Cavity (5.4mm MCP)
5	164556	1	• CONNECTOR, (60F AMP MQS)
6	164567	1	• CONNECTOR, (94F AMP MQS+MCP)
7	164563	77	• PLUG, Cavity (MQS)
8	164564	12	• PLUG, Cavity (MQS)
9	117587	1	• PLUG, Connector (12 pin)
10	117589	1	• PLUG, Connector (12 pin wedge)
11	117591	3	• SOCKET, Connector contact (16-18)
12	117586	1	• RECEPTACLE, Connector (12 pin)
13	117588	1	• RECEPTACLE, Connector (12 pin wedge)
14	117590	10	• PIN, Connector contact (16-18)
15	117594	5	• PLUG, Connector sealing
16	117579	1	• PLUG, Connector (4 pin)
17	117581	1	• PLUG, Connector (4 pin wedge)
18	164579	1	• CONNECTOR, Circular (4F 2.5mm)
19	164580	1	• STRAIN RELIEF (Straight)
20	156172	1	• PLUG, Cavity (JPT)
21	156163	1	• CONNECTOR, (2F AMP)
22	156127	1	• CONNECTOR, Fuse holder (2F 630 M/P)
23	156164	1	• FUSE, 30A (ATO)
24	156117	1	• COVER, Autofuse (Inline)



M169377AC-2

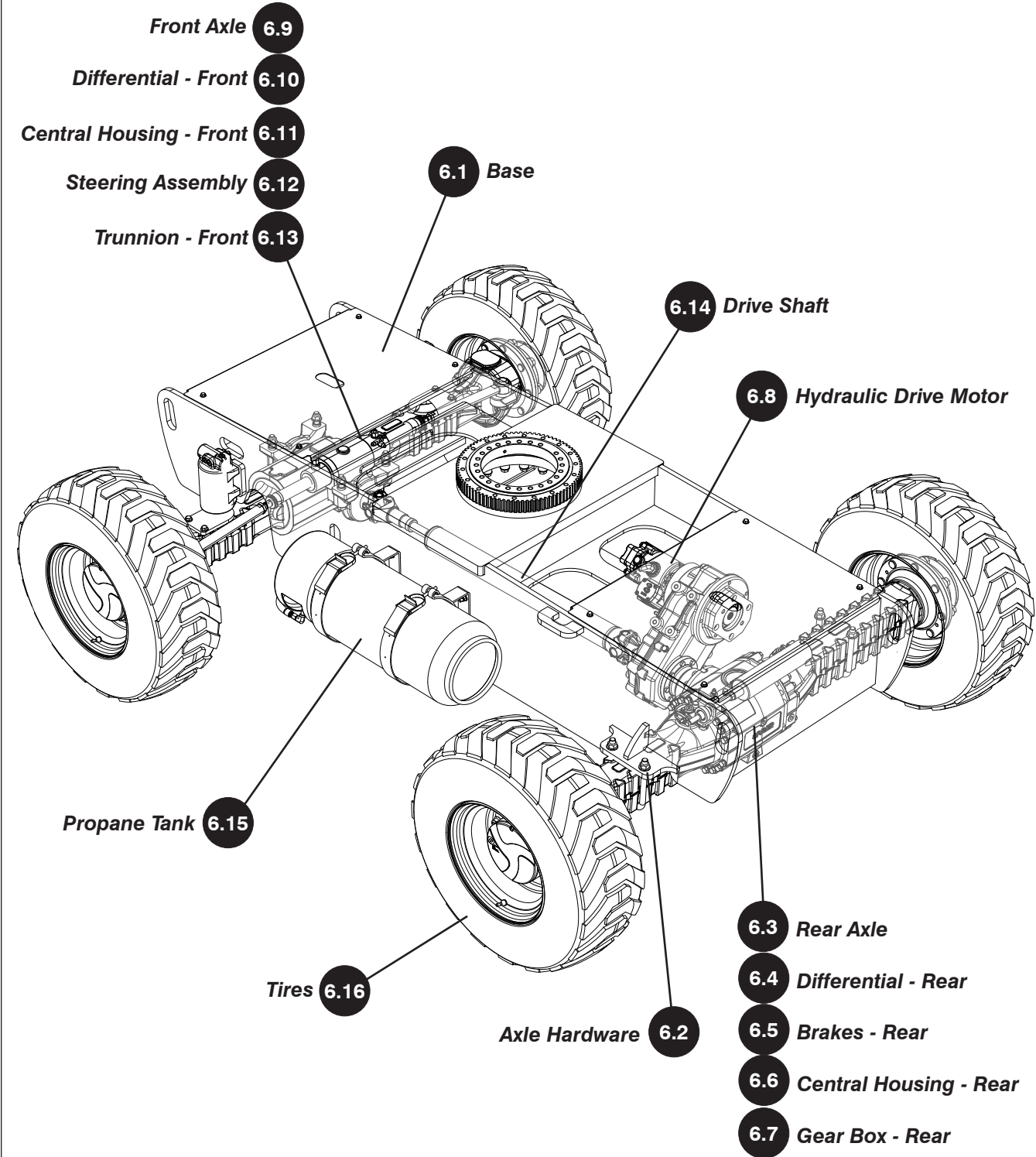
Index No.	Skyjack Part No.	Qty.	Description
-	169377	1	HARNESS, Engine interface (Kubota WG2503)
1	117586	1	• RECEPTACLE, Connector (12 pin)
2	117588	1	• RECEPTACLE, Connector (12 pin wedge)
3	117590	7	• PIN, Connector contact (16-18)
4	117594	7	• PLUG, Connector sealing
5	144337	1	• TERMINAL, Red ring #8
6	119752	1	• TERMINAL, Red ring #10
7	142361	1	• HOUSING, Female (150 GT sealed 16 way)
8	142362	4	• TERMINAL, Female (150 GT series)
9	142363	1	• HOUSING, Male (150 GT sealed 16 way)
10	142364	8	• TERMINAL, Male (150 GT series)
11	142365	12	• SEAL, Wire (150 GT series)
12	142366	20	• PLUG, Cavity (150 GT series)
13	117591	4	• SOCKET, Connector contact (16-18)
14	156180	1	• CONNECTOR, 6F DT
15	156194	1	• WEDGE, Plug
16	166481	1	• CONNECTOR, 4M 150 M/P
17	156260	4	• TERMINAL, Male sealed (0.8-0.5 mm ²) 150 MP
18	163679	1	• TPA, 4W M/P
19	170221	1	• CONNECTOR, 4M Kompakt 1.1m
20	170222	4	• TERMINAL, Female sealed (1.0-0.5 mm ²) BDK2.8

5.11 Engine Interface Harness - GM Dual Fuel Engine



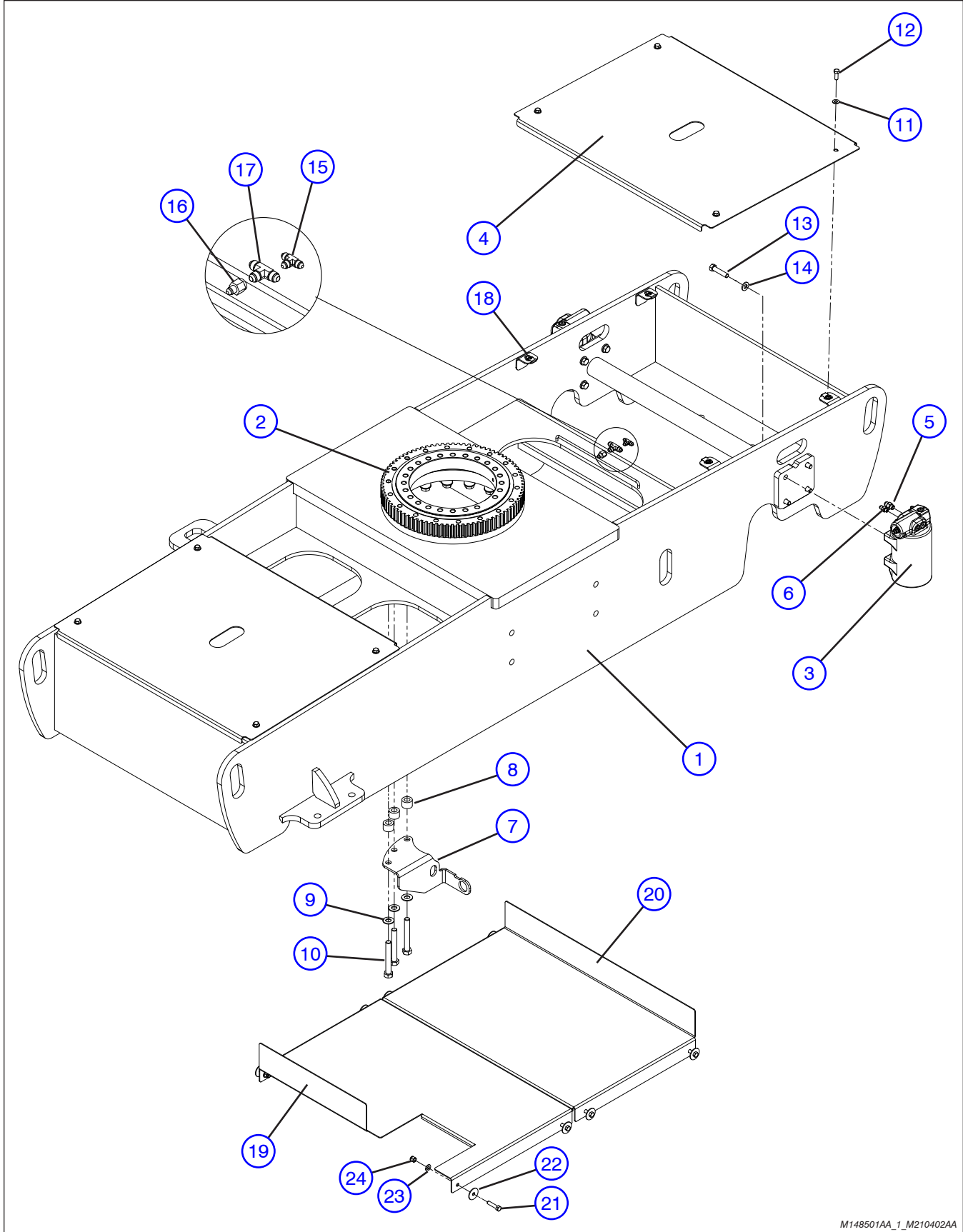
M149481AB

Index No.	Skyjack Part No.	Qty.	Description
-	149481	1	HARNESS, Engine interface (GM Dual Fuel Engine)
1	117586	1	• CONNECTOR, Receptacle (12 pin)
2	117588	1	• CONNECTOR, Receptacle (12 pin wedge)
3	117590	9	• CONNECTOR, Contact (16-18)
4	117594	3	• CONNECTOR, Seal plug
5	142361	1	• HOUSING, Female (150 GT sealed 16 way)
6	142363	1	• HOUSING, Male (150 GT sealed 16 way)
7	142365	11	• SEAL, Wire (150 GT series)
8	142366	21	• PLUG, Cavity (150 GT series)



6.1 Base Assembly

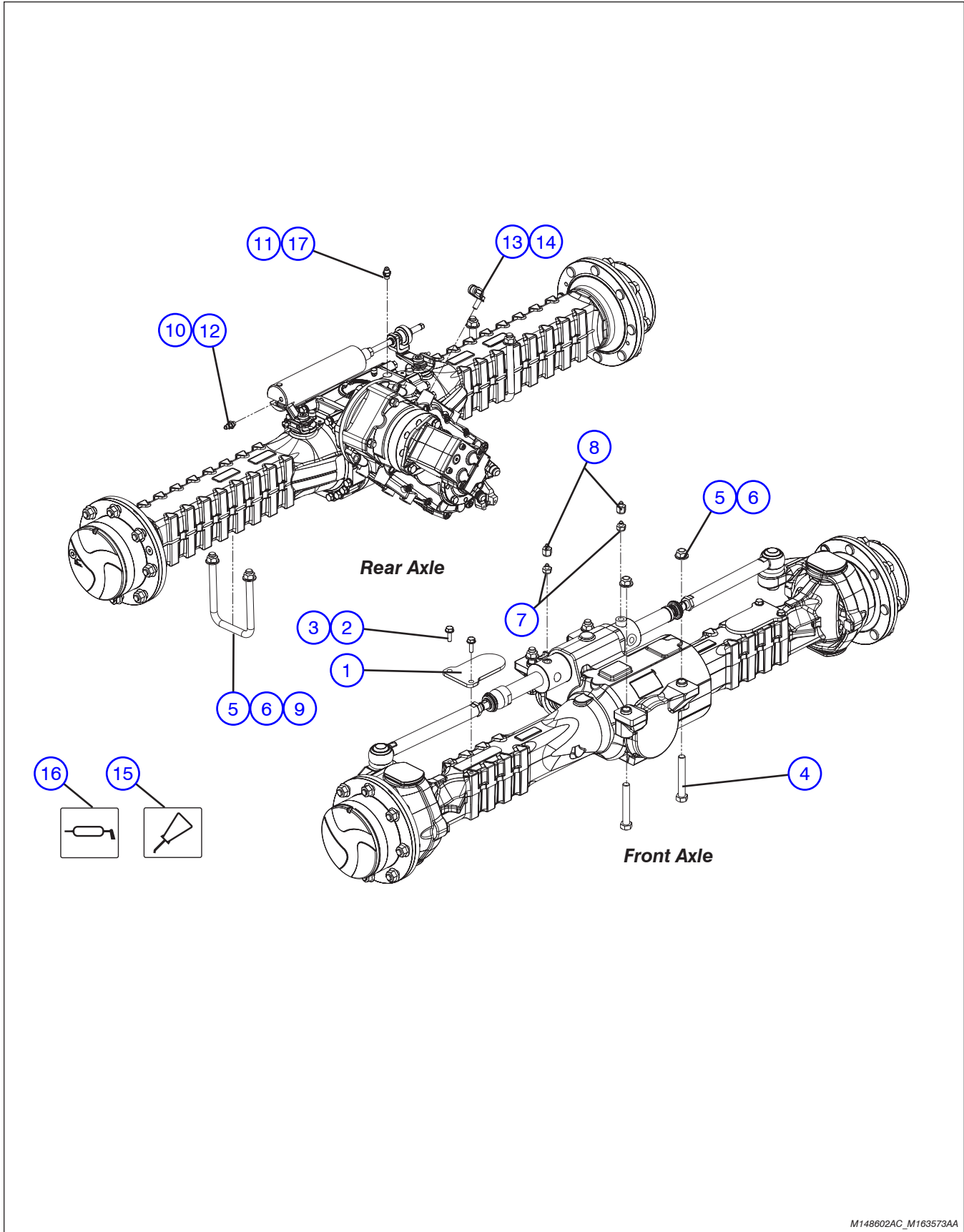
AE



M148501AA_1_M210402AA

Index No.	Skyjack Part No.	Qty.	Description
A	210404	-	BASE ASSEMBLY - serial number 95 002 085 & above
B	168155	-	BASE ASSEMBLY - serial number 95 002 084 & below
1	210405	1	• WELDMENT, Base, A
	169608	1	• WELDMENT, Base, B
2	148705	1	• GEAR, Ring
3	(Ref.)	2	• AXLE LOCK CYLINDER ASSEMBLY (For components, refer to Section 3.8)
4	161172	2	• COVER, Chassis
5	103069	2	• FITTING, Straight (06 JICM - 06 ORBM)
6	126128	2	• FITTING, Straight (04 JICM - 04 ORBM)
7	149377	1	• BRACKET, Rotary manifold stop
8	149024	18	• SPACER
9	700782	18	• WASHER, Flat hardened (5/8")
10	701762	18	• BOLT, Hex head (5/8"-11 x 4.5", Grade 8)
11	103472	8	• WASHER, Flat (3/8")
12	103473	8	• BOLT, Hex head (3/8"-16 x 1.00", Grade 5)
13	207654	8	• BOLT, Hex head patch (1/2"-13 x 2.25", Grade 8)
14	104379	8	• WASHER, Flat hardened (1/2")
15	131697	1	• FITTING, Tee (04 JICM - 04 JICM - 04 JICM)
16	707041	1	• FITTING, Straight (06 JICF - 04 JICM)
17	131704	1	• FITTING, Tee (06 JICM - 06 JICM - 06 JICM)
18	159294	8	• NUT, Speed clip (3/8"-16)
-	210408	1	HOSE TRAY ASSEMBLY - serial number 95 002 085 & above
19	208638	1	• PLATE, Botton rear
20	208639	1	• PLATE, Bottom front
21	2089475	8	• BOLT, Hex head (0.375"-16 x 1.625 gr 5)
22	127067	8	• WASHER, Flat (0.375" BB)
23	103472	8	• WASHER, Flat (0.375")
24	104606	8	• NUT, Lock (0.375"-16 gr 5 nylon)

6.2 Axle Hardware

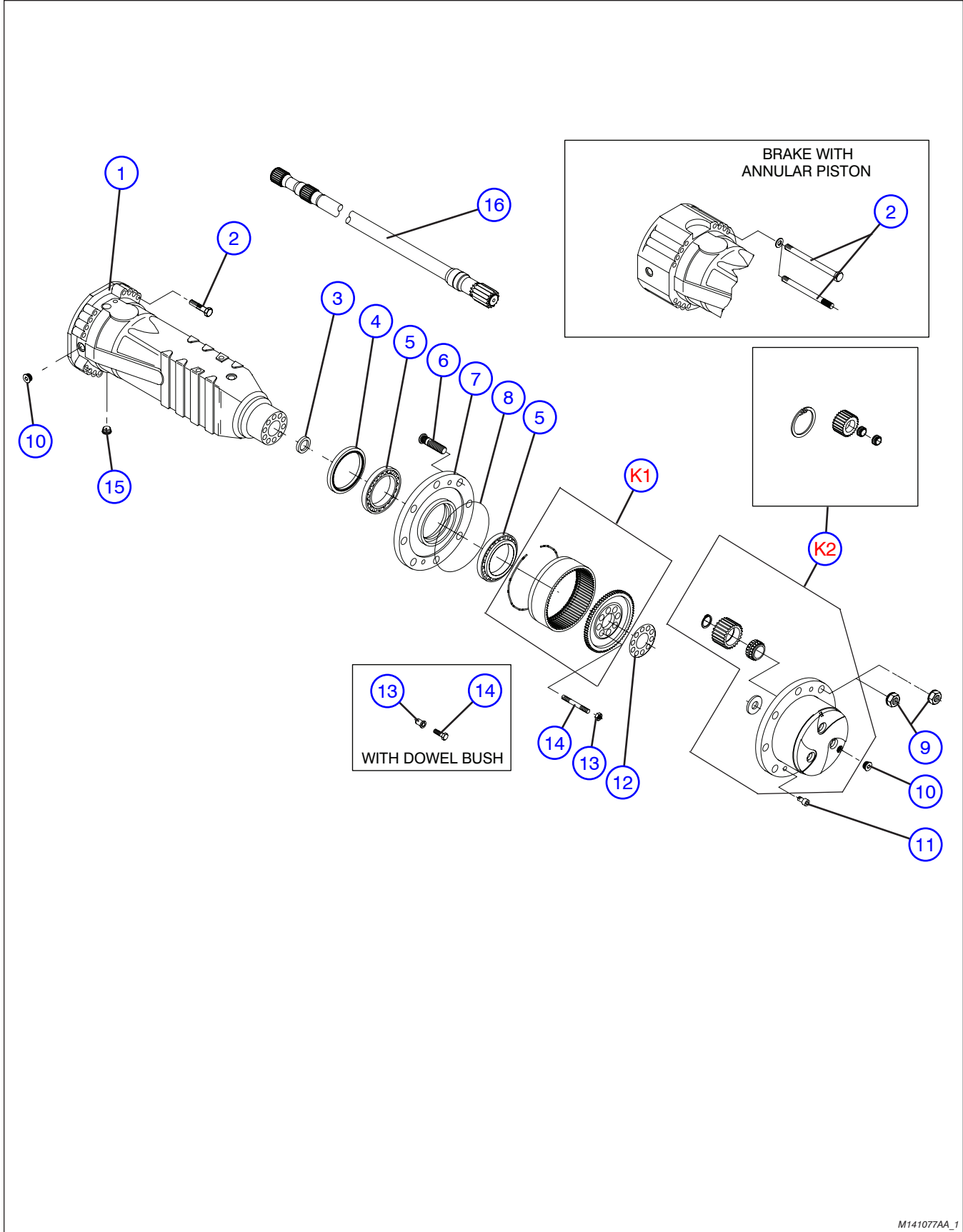


M148602AC_M163573AA

6.2 Axle Hardware

Index No.	Skyjack Part No.	Qty.	Description
1	159289	2	PLATE, Wear pad
2	152324	4	BOLT, Hex head (M12 x 1.75 x 25mm, Grade 8.8)
3	104379	4	WASHER, Flat hardened (1/2")
4	146773	4	BOLT, Hex head (3/4"-10 x 5", Grade 8)
5	702194	8	WASHER, Flat hardened (3/4")
6	700575	8	NUT, Torque lock (3/4"-10, Grade C)
7	152304	2	FITTING, Straight (08 JICM - M18 DIN 3852-1)
8	706812	2	FITTING, Straight (08 JICF - 04 JICM)
9	148866	2	U-BOLT, Axle mount
10	144128	1	FITTING, 90° (04 JICM - 04 BSPPM) - serial number 95 002 085 & above
	149195	1	FITTING, Straight (04 JICM - 04 BSPPM) - serial number 95 002 084 & below
11	149181	1	FITTING, Straight (06 JICM - M14 ISO6149)
12	139126	1	SEAL, British bonded (04BSPPM)
13	152333	1	CLAMP, Tube (5/8" cus double 17/32 hole)
14	103909	1	BOLT, Hex head (1/2"-13 x 1.25", Grade 5)
15	(Ref.)	-	OIL (For components, refer to Section 11.1)
16	(Ref.)	-	GREASE (For components, refer to Section 11.3)
17	702875	1	FITTING, Straight (04JICM-04JICFS) - serial number 95 002 085 & above

6.3 Rear Axle Assembly

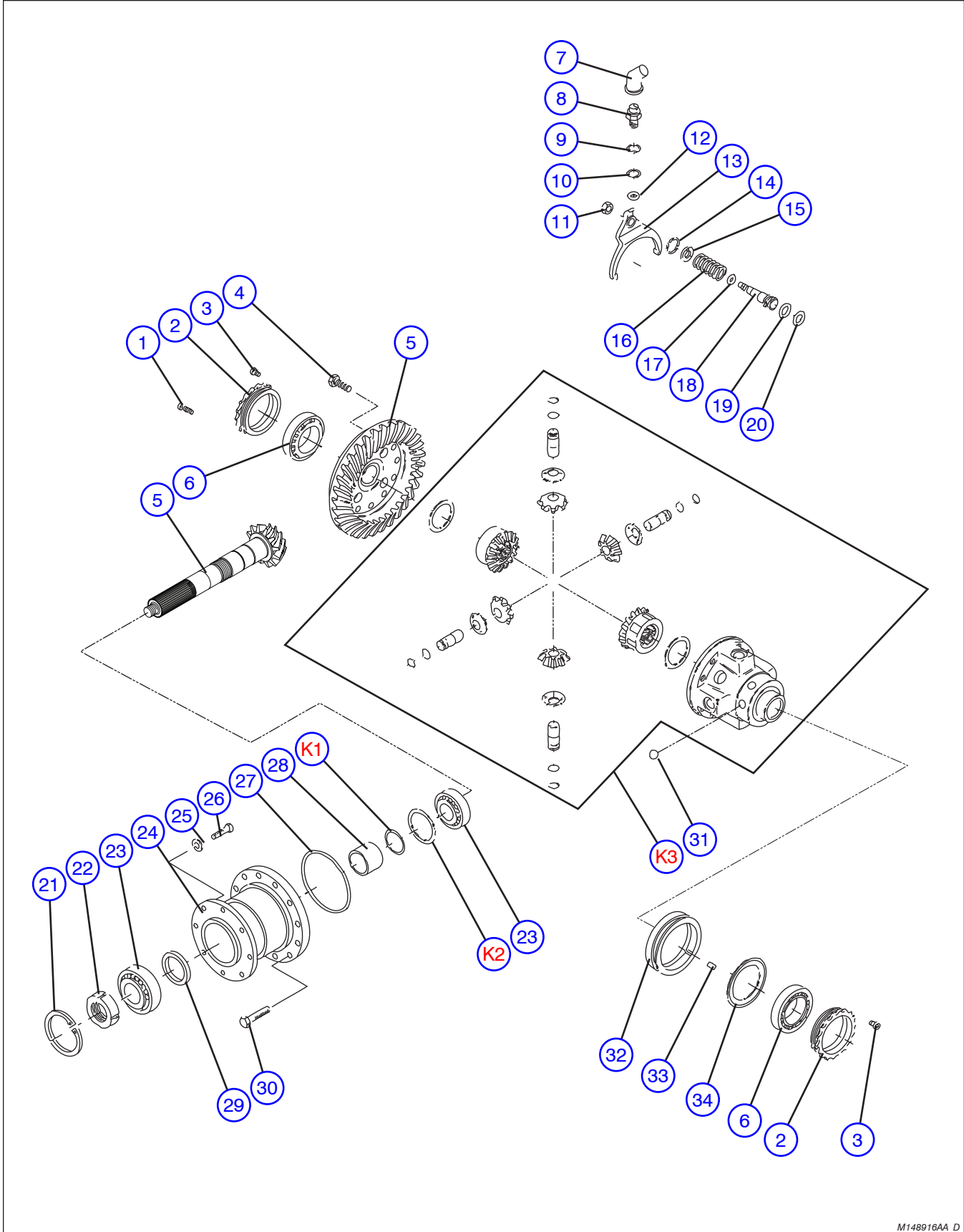


M141077AA_1

6.3 Rear Axle Assembly

Index No.	Skyjack Part No.	Qty.	Description
-	148916	-	REAR AXLE ASSEMBLY (with gear box)
1	141078	2	• CASE, Axle
2	141079	32	• BOLT
3	141082	2	• SEAL
4	141018	2	• SEAL
5	141019	4	• BEARING
6	141021	16	• STUD, Wheel
7	141020	2	• HUB, Wheel
8	140970	2	• O-RING
9	154590	16	• NUT
10	140969	4	• PLUG
11	141033	4	• BOLT, Countersunk
12	141081	2	• PLATE, Locking
13	141027	16	• NUT
14	141026	16	• STUD
15	140968	2	• PLUG, Magnet
16	141080	2	• SHAFT, Half
-	(Ref.)	-	• DIFFERENTIAL ASSEMBLY (For components, refer to Section 6.4)
-	(Ref.)	-	• BRAKES - REAR AXLE (For components, refer to Section 6.5)
-	(Ref.)	-	• CENTRAL HOUSING ASSEMBLY (For components, refer to Section 6.6)
K1	141042	2	KIT, Ring gear support
K2	141034	2	KIT, Planet gear carrier

6.4 Differential Assembly - Rear Axle

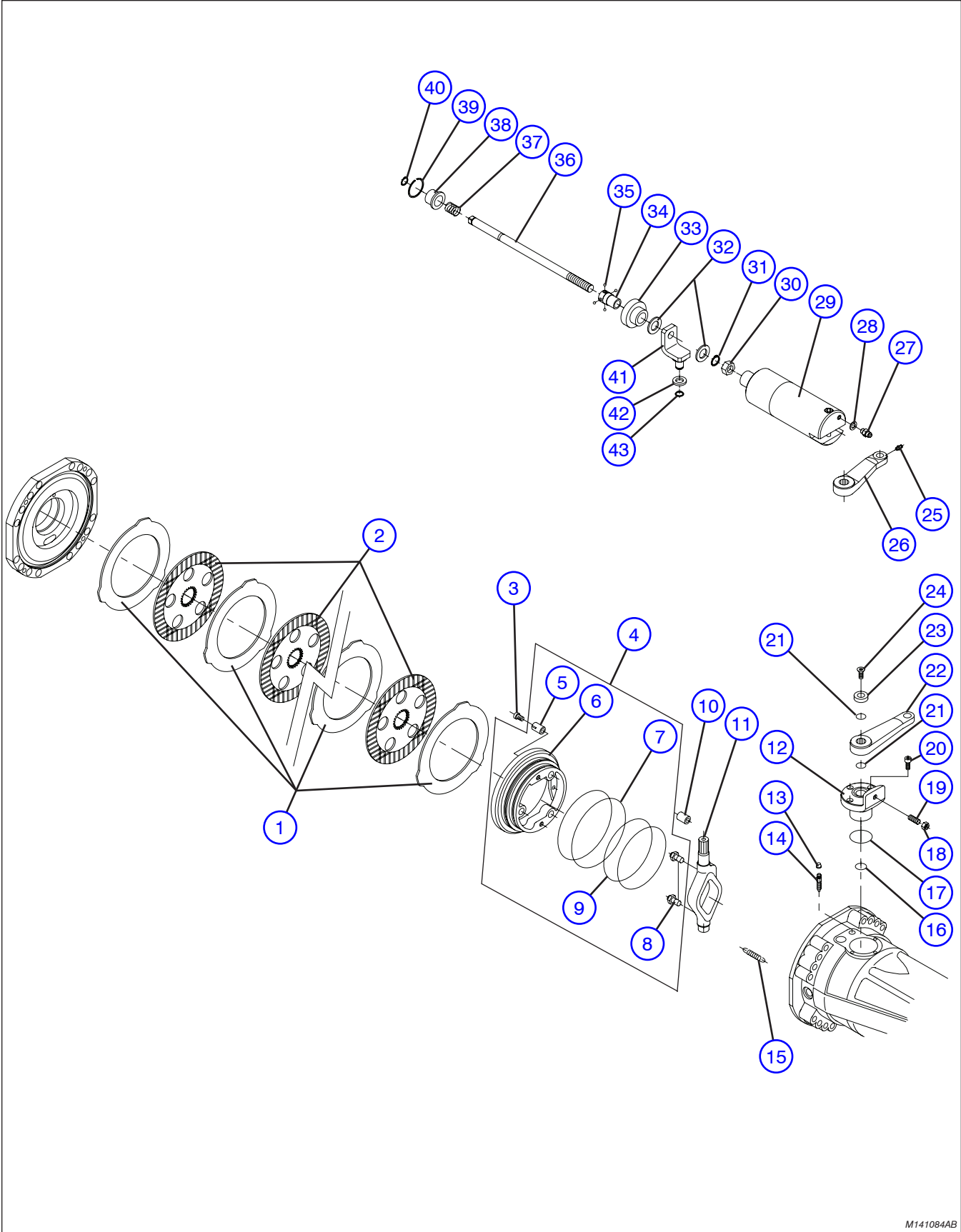


M148916AA_D

6.4 Differential Assembly - Rear Axle

Index No.	Skyjack Part No.	Qty.	Description
1	140977	4	BOLT
2	141068	2	NUT, Ring
3	151768	2	BOLT
4	140993	12	BOLT
5	141065	1	GEAR SET, Bevel
6	140987	2	BEARING, Taper roller
7	154576	1	BOOT
8	154577	1	SWITCH, Security
9	154589	1	WASHER, Seal
10	154578	1	WASHER, Seal
11	154580	1	NUT
12	154579	1	O-RING
13	154588	1	SELECTOR FORK
14	154587	1	CIRCLIP
15	154586	1	PLUG
16	154585	1	SPRING
17	154571	1	CIRCLIP
18	154584	1	PISTON
19	154583	1	O-RING
20	154575	1	RING
21	140966	1	CIRCLIP
22	140980	1	RING NUT
23	140984	2	BEARING, Taper roller
24	141063	1	COVER
25	141075	8	WASHER, Spring
26	141076	8	BOLT, Hexagon
27	141064	1	O-RING
28	141062	1	SPACER
29	141074	1	SEAL
30	141072	12	BOLT, Hexagon
31	154574	6	BALL, Detent
32	154582	1	SELECTOR
33	154572	1	KEY
34	154581	1	SHEET
K1	140982	1	KIT, Shim
K2	140983	1	KIT, Shim
K3	154573	1	KIT, Differential position

6.5 Brake Assembly - Rear Axle

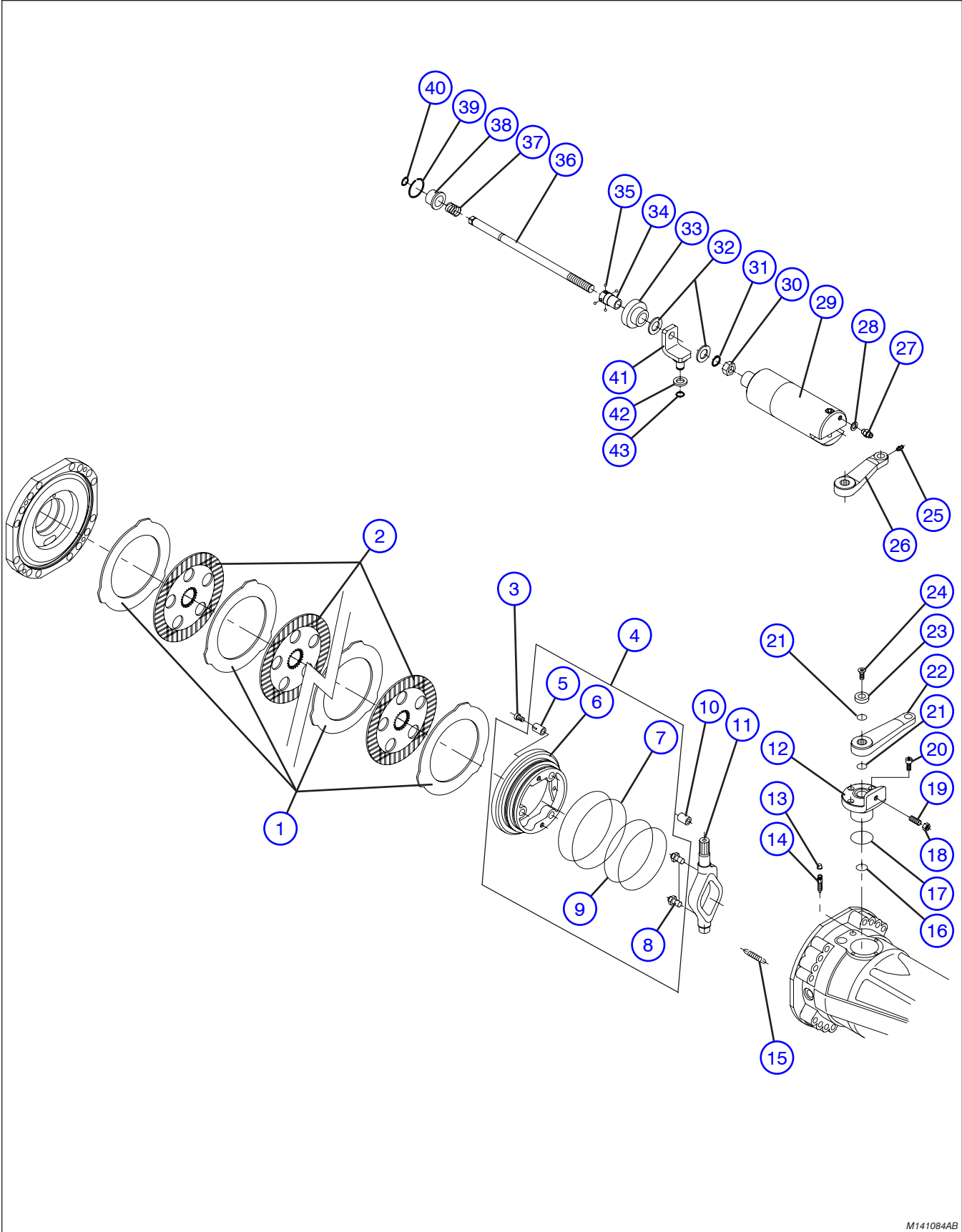


M141084AB

6.5 Brake Assembly - Rear Axle

Index No.	Skyjack Part No.	Qty.	Description
1	141096	10	BRAKE DISC, Intermediate
2	141108	8	DISC, Brake
3	141097	6	BOLT, Adjusting
4	151757	1	PISTON (Right)
	151758	1	PISTON (Left)
5	141098	3	• SPRING
6	141109	1	• PISTON (Right)
	141099	1	• PISTON (Left)
7	141101	1	• O-RING
8	151759	2	• PUSHER
9	141107	1	• O-RING
10	141102	2	DOWEL
11	141085	1	LEVER (Right)
	141103	1	LEVER (Left)
12	141089	2	BUSHING, Reduction
13	141006	2	PLUG
14	141086	2	BOLT, Bleeding
15	141104	6	SPRING
16	141129	2	O-RING
17	141088	2	O-RING
18	141091	2	NUT
19	141090	2	BOLT
20	141087	6	BOLT
21	141092	2	O-RING
22	141093	1	LEVER
23	141094	2	WASHER
24	141095	2	BOLT, Countersunk
25	141112	1	FITTING, Grease
26	141110	1	LEVER
27	139126	1	SEAL, British bonded
28	149195	1	FITTING, Elbow 90° (04 JICM - 04 BSPPM)
29	141123	1	CYLINDER, Wheel
30	141122	1	NUT
31	141121	1	CIRCLIP
32	141113	2	WASHER
33	141119	1	BUSHING, Reduction
34	141124	1	BUSHING, Reduction
35	141118	4	BALL, Detend
36	141117	1	CAM, Brake
37	141116	1	SPRING
38	141115	1	BUSHING, Reduction
			Parts list continued from the previous page.

6.5 Brake Assembly - Rear Axle

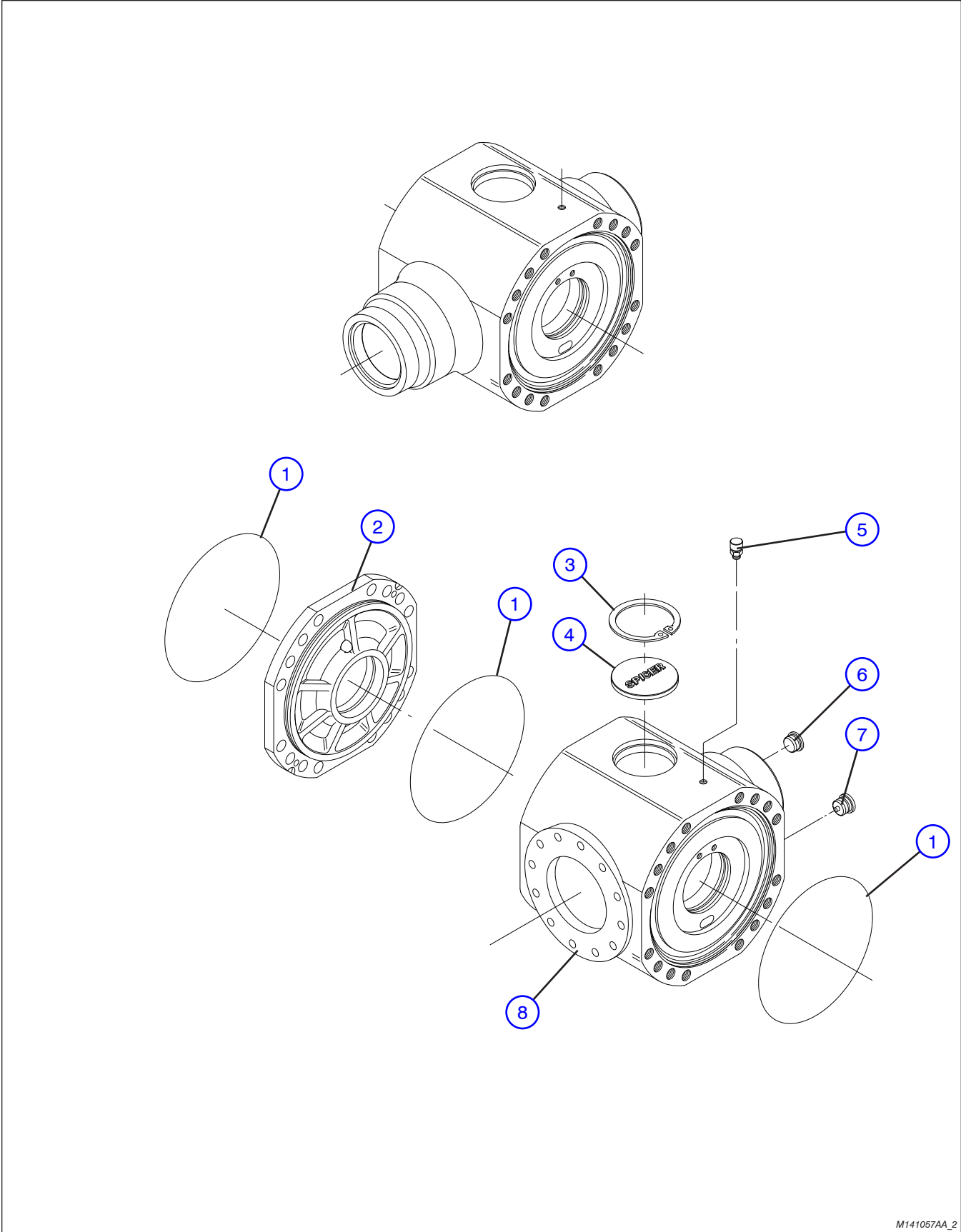


M141084AB

6.5 Brake Assembly - Rear Axle

Index No.	Skyjack Part No.	Qty.	Description
			Parts list continued from the previous page.
39	141114	1	RING, Snap
40	141111	1	CIRCLIP
41	141120	1	SUPPORT
42	141126	1	SPACER
43	141125	1	CIRCLIP
K1	408688	1	KIT, Seal (Brake cylinder) (Not Shown)

6.6 Central Housing Assembly - Rear Axle

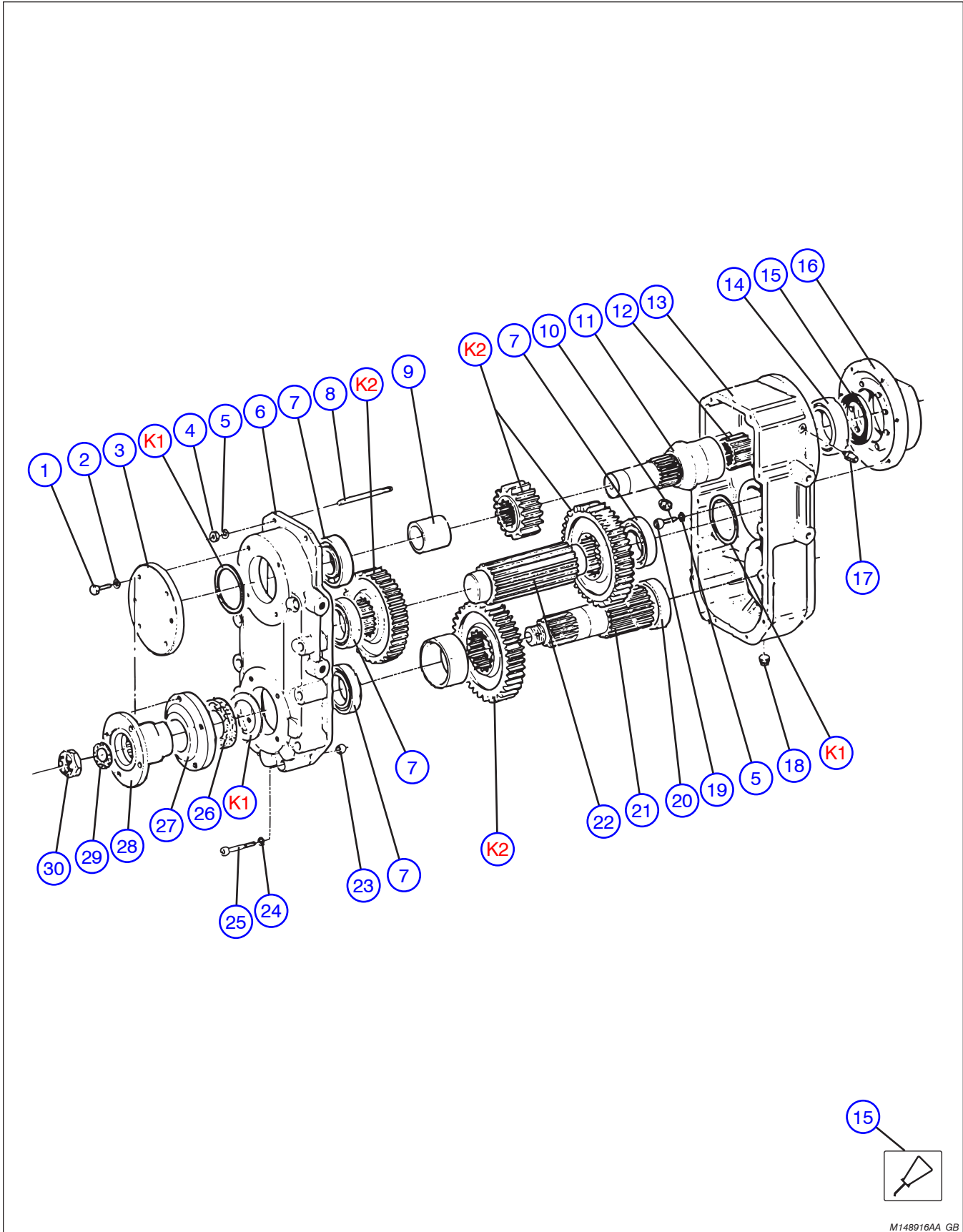


M141057AA_2

6.6 Central Housing Assembly - Rear Axle

Index No.	Skyjack Part No.	Qty.	Description
-	154602	-	CENTRAL HOUSING ASSEMBLY
1	140970	3	• O-RING
2	141054	1	• COVER, Intermediate
3	140966	1	• CIRCLIP
4	140967	1	• PLUG
5	141059	1	• VENT
6	140969	1	• PLUG
7	140968	1	• PLUG, Magnet
8	154570	1	• HOUSING

6.7 Gear Box - Rear Axle

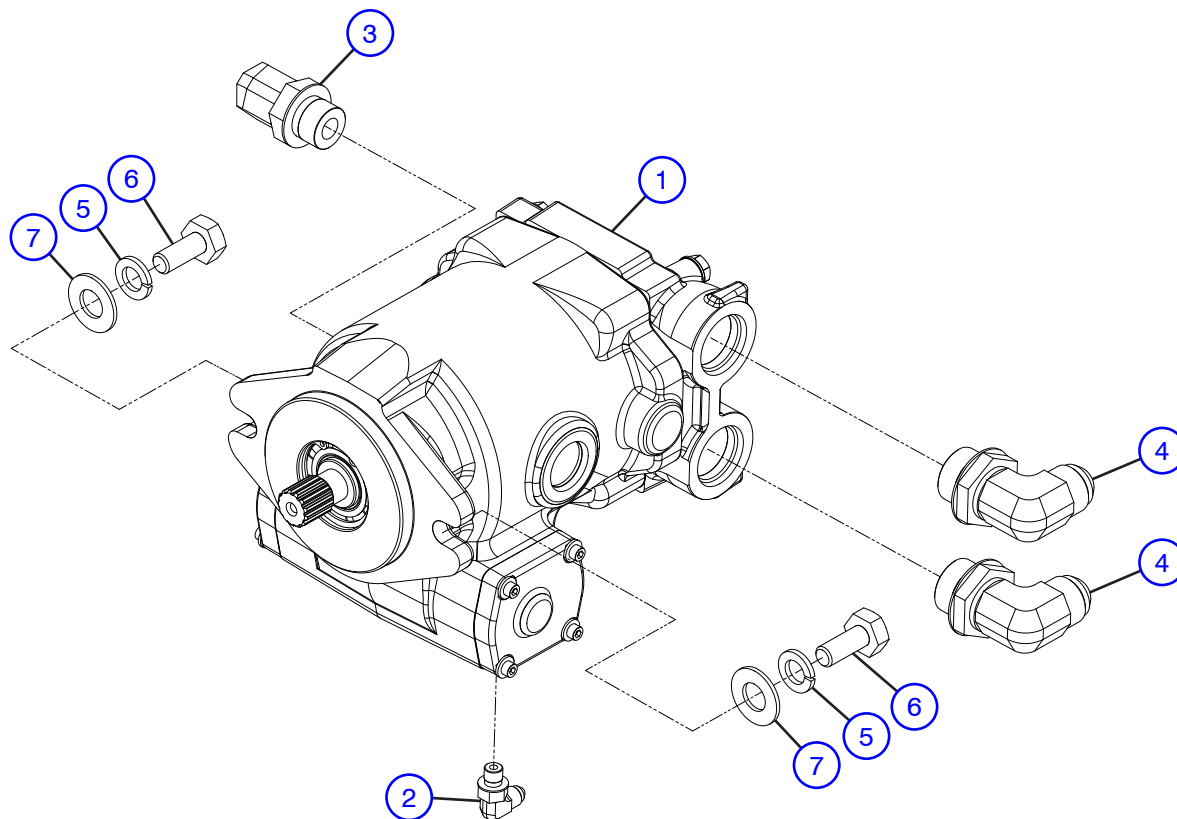


M148916AA_GB

6.7 Gear Box - Rear Axle

Index No.	Skyjack Part No.	Qty.	Description
-	154591	-	BOX, Gear
1	141072	4	• BOLT, Hex
2	141373	4	• WASHER, Spring
3	154592	1	• COVER
4	141363	2	• NUT
5	141364	4	• WASHER, Spring
6	154593	1	• HOUSING
7	141137	3	• BEARING, Ball
8	141367	2	• STUD
9	141378	1	• SPACER
10	141143	1	• PLUG
11	154594	2	• SHAFT, Input
12	154595	2	• BUSHING
13	154596	1	• COVER
14	141366	1	• BEARING, Ball
15	141370	1	• SEAL
16	141371	1	• COVER
17	141134	1	• VENT
18	141144	1	• PLUG, Magnet
19	141383	4	• BOLT
20	141375	1	• SPACER
21	141376	1	• SHAFT, Output
22	141377	1	• SHAFT
23	141379	2	• BUSHING, Reduction
24	141380	10	• WASHER, Spring
25	141381	10	• BOLT
26	141149	1	• SEAL
27	141374	1	• COVER
28	141151	1	• FLANGE
29	141152	1	• O-RING
30	141372	1	• NUT
31	(Ref.)	-	OIL (For components, refer to Section 11.1)
K1	140994	2	KIT, Shim
K2	141385	1	KIT, Gear

6.8 Hydraulic Drive Motor

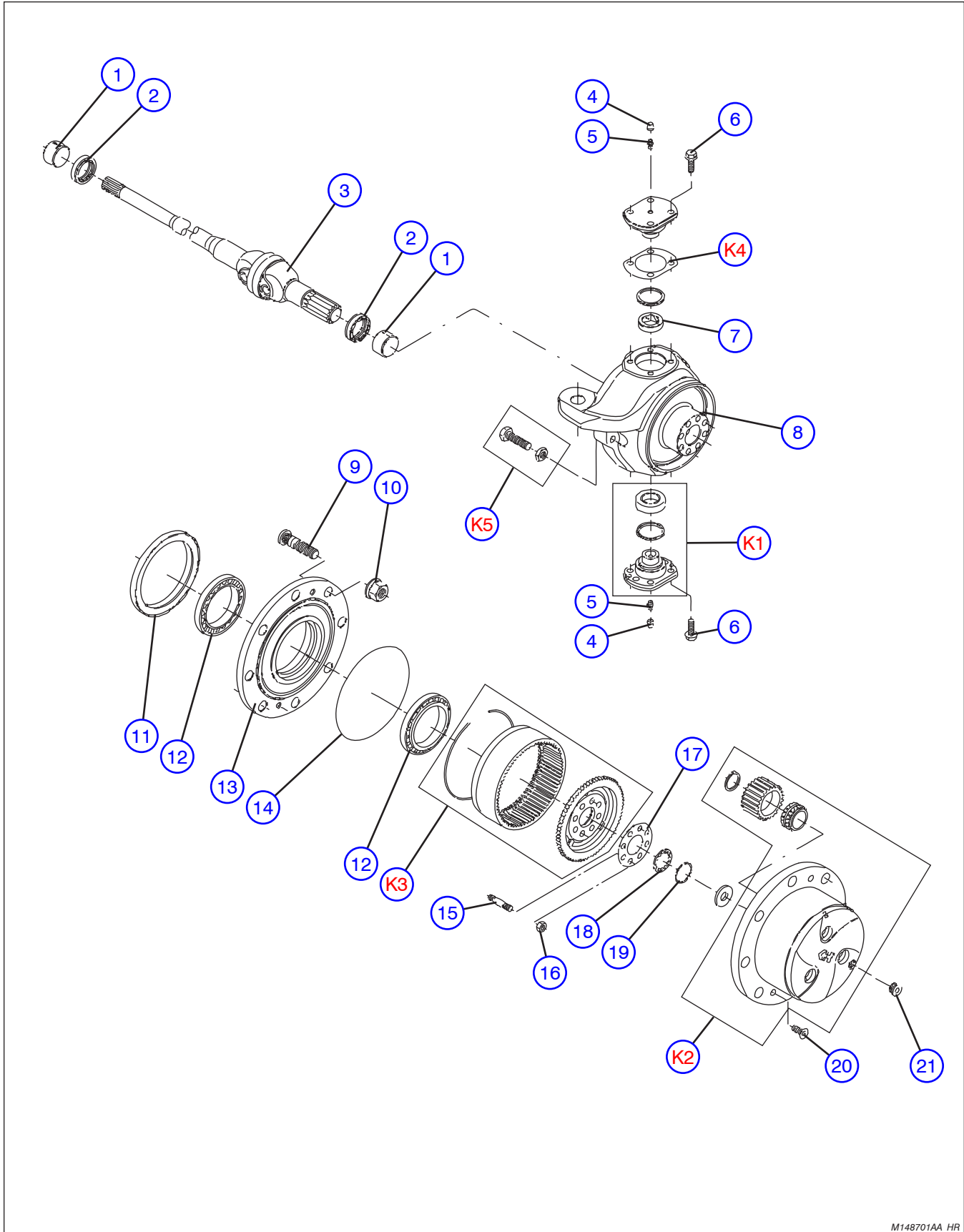


M161762AA

Index No.	Skyjack Part No.	Qty.	Description
-	161762	-	DRIVE MOTOR ASSEMBLY
1	161964	1	• MOTOR, Hydraulic drive
2	125883	1	• FITTING, Elbow, 90° (04 JICM - 04 ORBM)
3	112366	1	• FITTING, Elbow, 90° (08 JICM - 12 ORBM)
4	710124	2	• FITTING, Elbow, 90° (12 JICM - 16 ORBM)
5	138738	2	• WASHER, Lock (M14)
6	138734	2	• BOLT, Hex head (M14 x 2 x 30mm, ZP, Grade 8.8)
7	700782	2	• WASHER, Flat hardened (5/8")

Notes

6.9 Front Axle Assembly

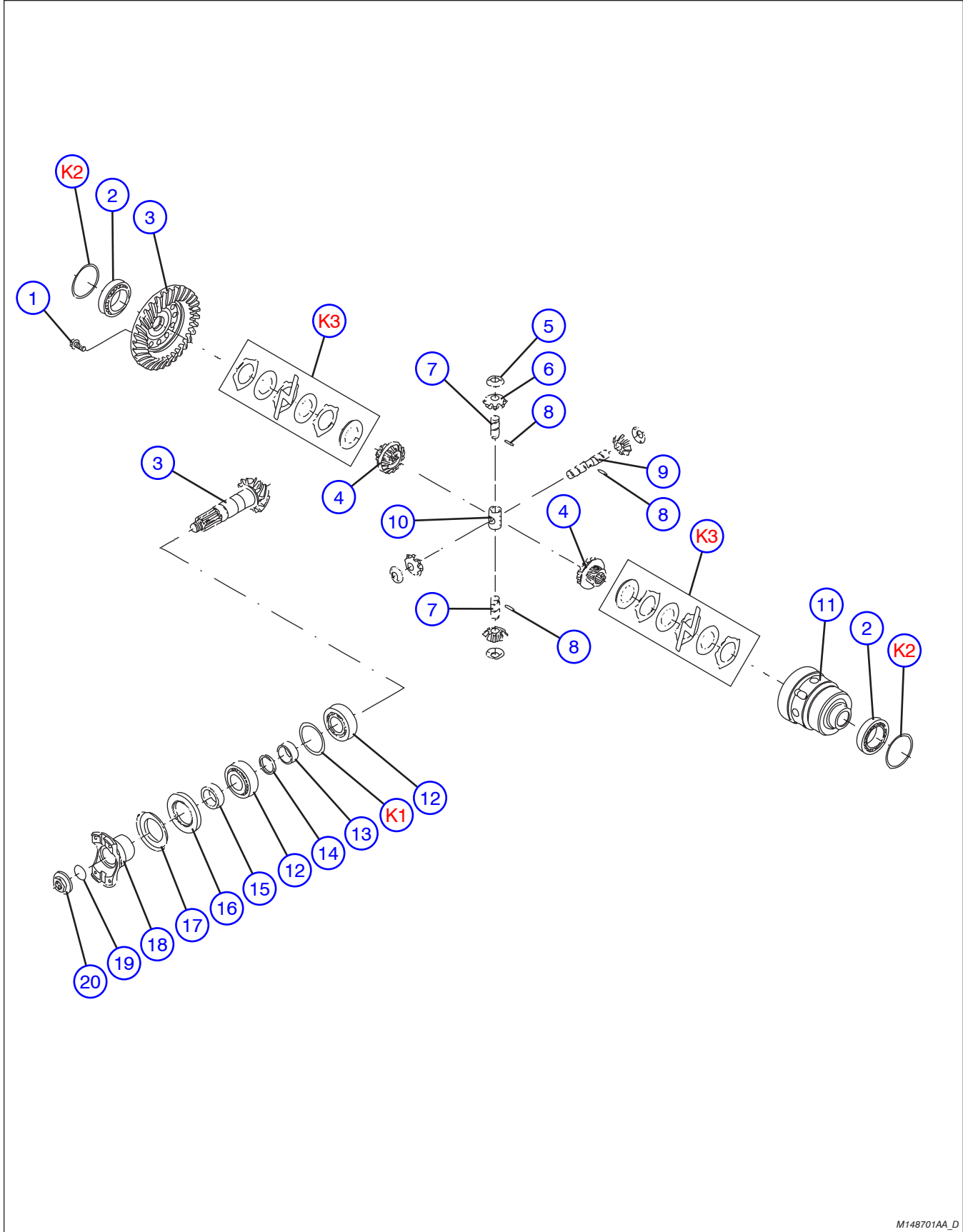


M148701AA_HR

6.9 Front Axle Assembly

Index No.	Skyjack Part No.	Qty.	Description
-	148701	-	FRONT AXLE ASSEMBLY
1	154624	2	• BUSHING, Thrust
2	154625	4	• SEAL
3	154626	2	• JOINT
4	141006	4	• PLUG
5	141014	4	• FITTING, Grease
6	140993	20	• BOLT
7	151765	2	• BUSHING
8	154630	1	• CASE, Steering (Left)
	154629	1	• CASE, Steering (Right)
9	154632	16	• STUD, Wheel
10	141168	16	• NUT
11	154631	2	• SEAL
12	154638	4	• BEARING
13	154639	2	• HUB, Wheel
14	140970	2	• O-RING
15	154637	16	• STUD
16	154636	16	• NUT
17	154634	2	• PLATE, Locking
18	154635	2	• SPACER
19	141036	2	• CIRCLIP
20	141033	4	• BOLT, Countersunk
21	140969	2	• PLUG
K1	154628	2	• KIT, Pivot pin
K2	141034	2	• KIT, Planet gear carrier
K3	154633	2	• KIT, Ring gear support
K4	154627	2	• KIT, Shim
K5	141017	4	• KIT, Steering adjust bolt

6.10 Differential Assembly - Front Axle

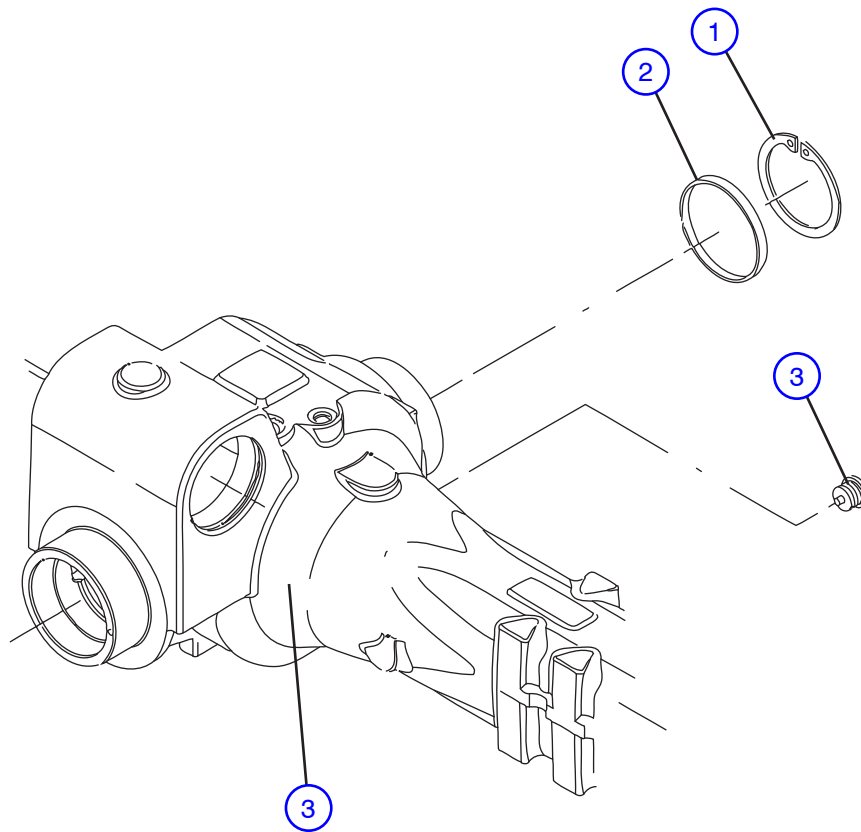


M148701AA_D

6.10 Differential Assembly - Front Axle

Index No.	Skyjack Part No.	Qty.	Description
1	154612	12	BOLT
2	154613	2	BEARING, Taper roller
3	154611	1	GEAR SET, Bevel
4	154617	2	DIFFERENTIAL SIDE GEAR
5	154619	4	WASHER, Friction
6	154618	4	DIFFERENTIAL PINION
7	154620	2	PIN
8	154621	3	DOWEL
9	154622	1	PIN
10	154623	1	SHAFT RETAINER
11	154614	1	DIFFERENTIAL CARRIER
12	154604	2	BEARING
13	154605	1	SPACER
14	154609	1	RING
15	154608	1	SPACER
16	140976	1	SEAL
17	154607	1	COVER PLATE
18	154603	1	FLANGE
19	154606	1	O-RING
20	141372	1	NUT
K1	154610	1	KIT, Shim
K2	154615	2	KIT, Shim
K3	154616	2	KIT, Clutch disc

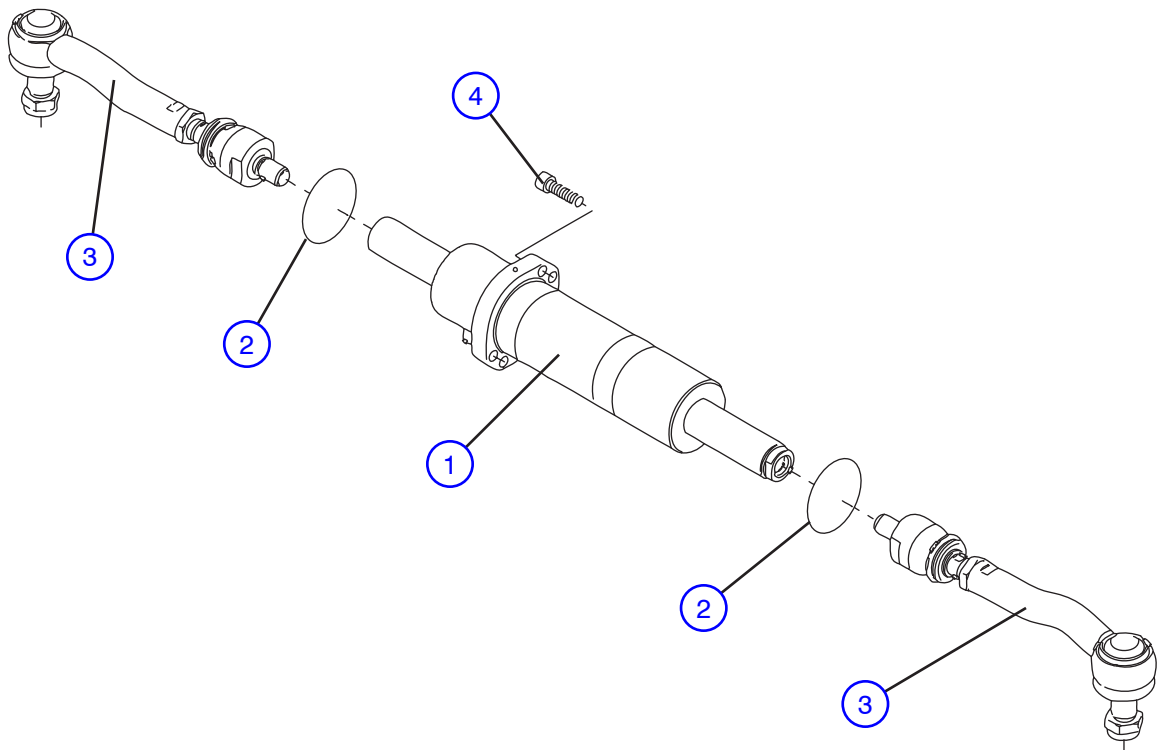
6.11 Central Housing Assembly - Front Axle



M148701AA_CH

Index No.	Skyjack Part No.	Qty.	Description
-	154599	-	CENTRAL HOUSING ASSEMBLY
1	140966	1	• CIRCLIP
2	140967	1	• PLUG
3	154600	1	• PLUG, Magnet
4	154601	1	CASE, Axle

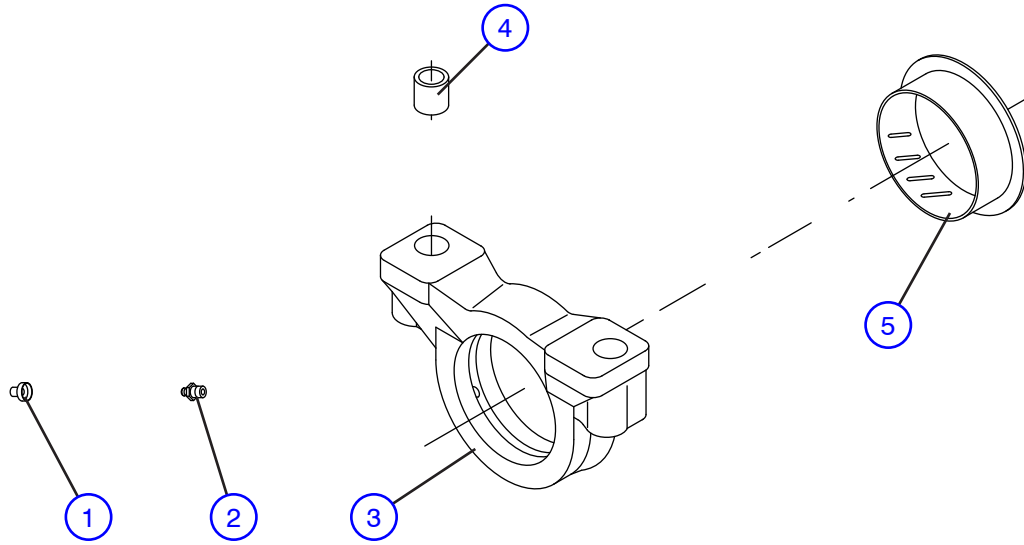
6.12 Steering Assembly



M148701AA_S

Index No.	Skyjack Part No.	Qty.	Description
-	154640	-	STEERING ASSEMBLY
1	154641	1	• CYLINDER
2	154642	4	• RING
3	154643	2	• TIE ROD, Articulated
4	154644	4	• BOLT
K	168050	1	KIT, Seal (Steer Cylinder) (not shown)

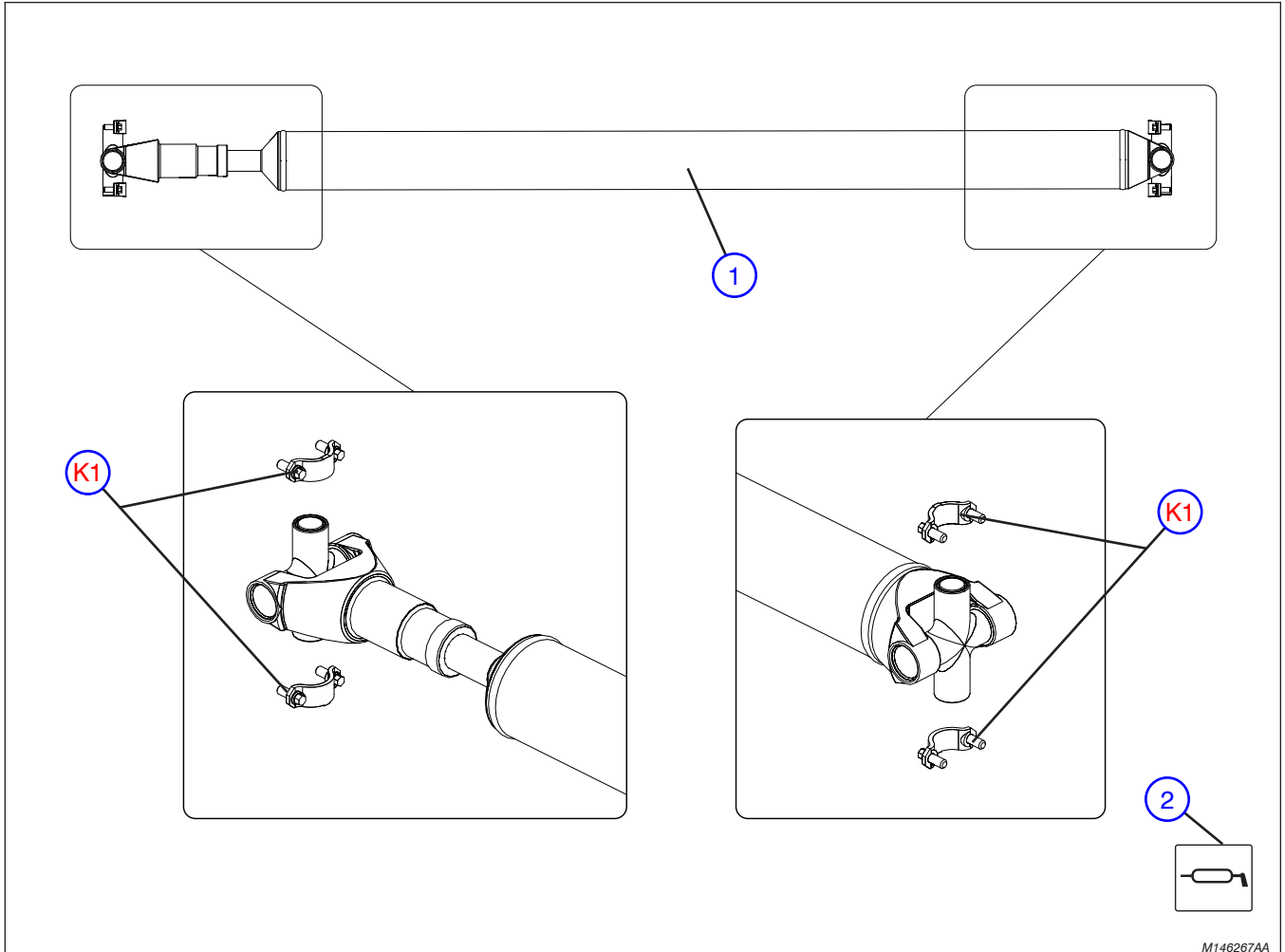
6.13 Trunnion Assembly - Front Axle



M148701AA_T

Index No.	Skyjack Part No.	Qty.	Description
-	154647	2	SUPPORT
1	141006	2	• PLUG
2	141014	2	• FITTING, Grease
3	154646	2	• SUPPORT
4	141048	4	• BUSHING, Reduction
5	154645	2	• BUSHING, Thrust

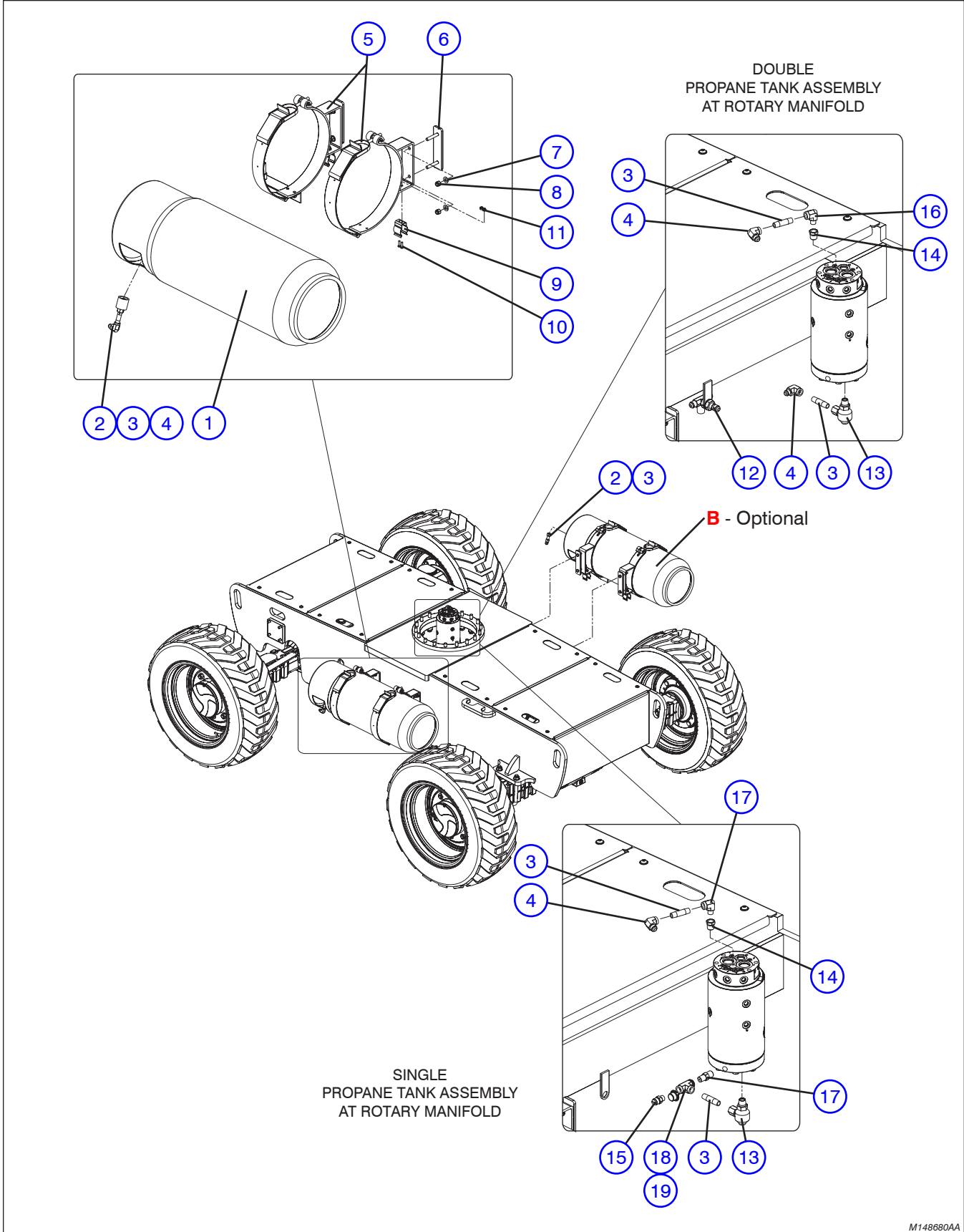
6.14 Drive Shaft



M146267AA

Index No.	Skyjack Part No.	Qty.	Description
1	148962	1	SHAFT, Drive
2	(Ref.)	-	GREASE (For components, refer to Section 11.2)
K1	138731	2	KIT, Universal joint strap

6.15 Propane Tank Assembly

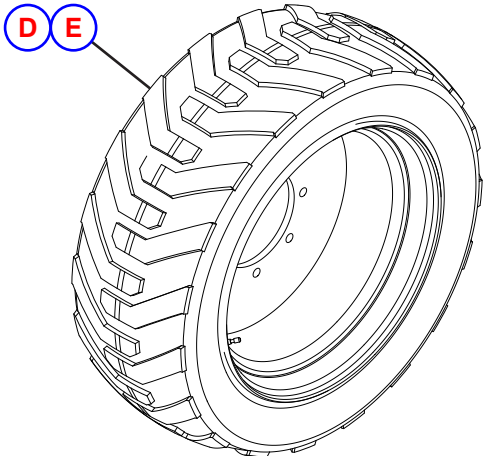
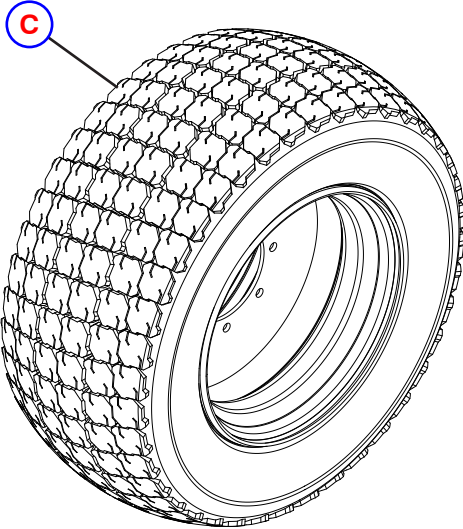
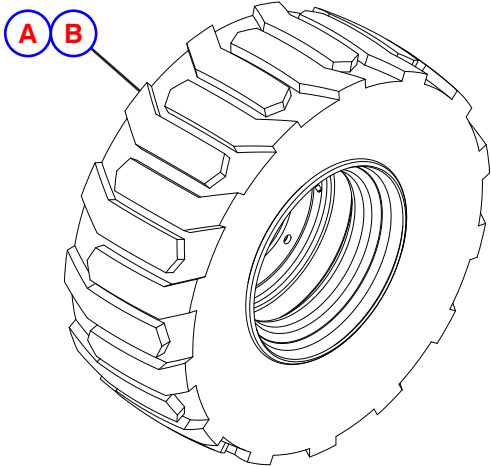


M148680AA

6.15 Propane Tank Assembly

Index No.	Skyjack Part No.	Qty.	Description
A	211433	-	SINGLE PROPANE TANK ASSEMBLY - serial number 95 002 085 & above
B	148680	-	SINGLE PROPANE TANK ASSEMBLY - serial number 95 002 084 & below
C	211431	-	DOUBLE PROPANE TANK ASSEMBLY (Optional) - s/n 95 002 085 & above
D	148681	-	DOUBLE PROPANE TANK ASSEMBLY (Optional) - s/n 95 002 084 & below
1	702253	1	• BOTTLE, Propane (43.5#), A, B
	702253	2	• BOTTLE, Propane (43.5#), C, D
2	103006	1	• QUICK COUPLING, Female tank, A, B
	103006	2	• QUICK COUPLING, Female tank, C, D
3	143478	3	• NIPPLE, Brass (1/4 NPT x 2"), A
	143478	4	• NIPPLE, Brass (1/4 NPT x 2"), B
4	144334	2	• FITTING, Elbow 90° (06 SAE 45M - 04 NPTF), A, B
	144334	4	• FITTING, Elbow 90° (06 SAE 45M - 04 NPTF), C, D
5	144295	1	• MOUNTING, Propane bottle, A, B
	144295	2	• MOUNTING, Propane bottle, C, D
6	149029	2	• RETAINER, Propane mount, A, B
	149029	4	• RETAINER, Propane mount, C, D
7	125959	4	• WASHER, Flat hardened (3/8"), A, B
	125959	8	• WASHER, Flat hardened (3/8"), C, D
8	104606	4	• NUT, Hex lock (3/8"-16 Grade 5, nylon), A, B
	104606	8	• NUT, Hex lock (3/8"-16 Grade 5, nylon), C, D
9	137235	2	• CLIP, Gripper (1.5"-2.5 diameter), A, B
	137235	4	• CLIP, Gripper (1.5"-2.5 diameter), C, D
10	138834	4	• SCREW, Round head machine (#10-24 x 3/4"), A, B
	138834	8	• SCREW, Round head machine (#10-24 x 3/4"), C, D
11	126642	4	• NUT, Hex lock (#10-24 Grade 5, nylon), A, B
	126642	8	• NUT, Hex lock (#10-24 Grade 5, nylon), C, D
12	123062	1	• SHUTTLE TEE, C, D
13	702239	1	• FITTING, 90° live swivel (04 NPTF - 06 NPTM)
14	100385	1	• FITTING, Straight (06 MP - 04 FP)
15	103156	1	• FITTING, Straight (06 SAE 45M - 04 NPTM), A, B
16	103164	1	• FITTING, Straight (06 SAE 45M - 04 NPTF)
17	300799	1	• VALVE RELIEF, A, B
18	111622	1	• CAP, Rain (for H123 valve), A, B
19	132919	1	• FITTING, Tee (4 NPTF), A, B
20	(Ref.)	1	• HOSE ASSEMBLIES (For components, refer to Section 8.8)

6.16 Tires

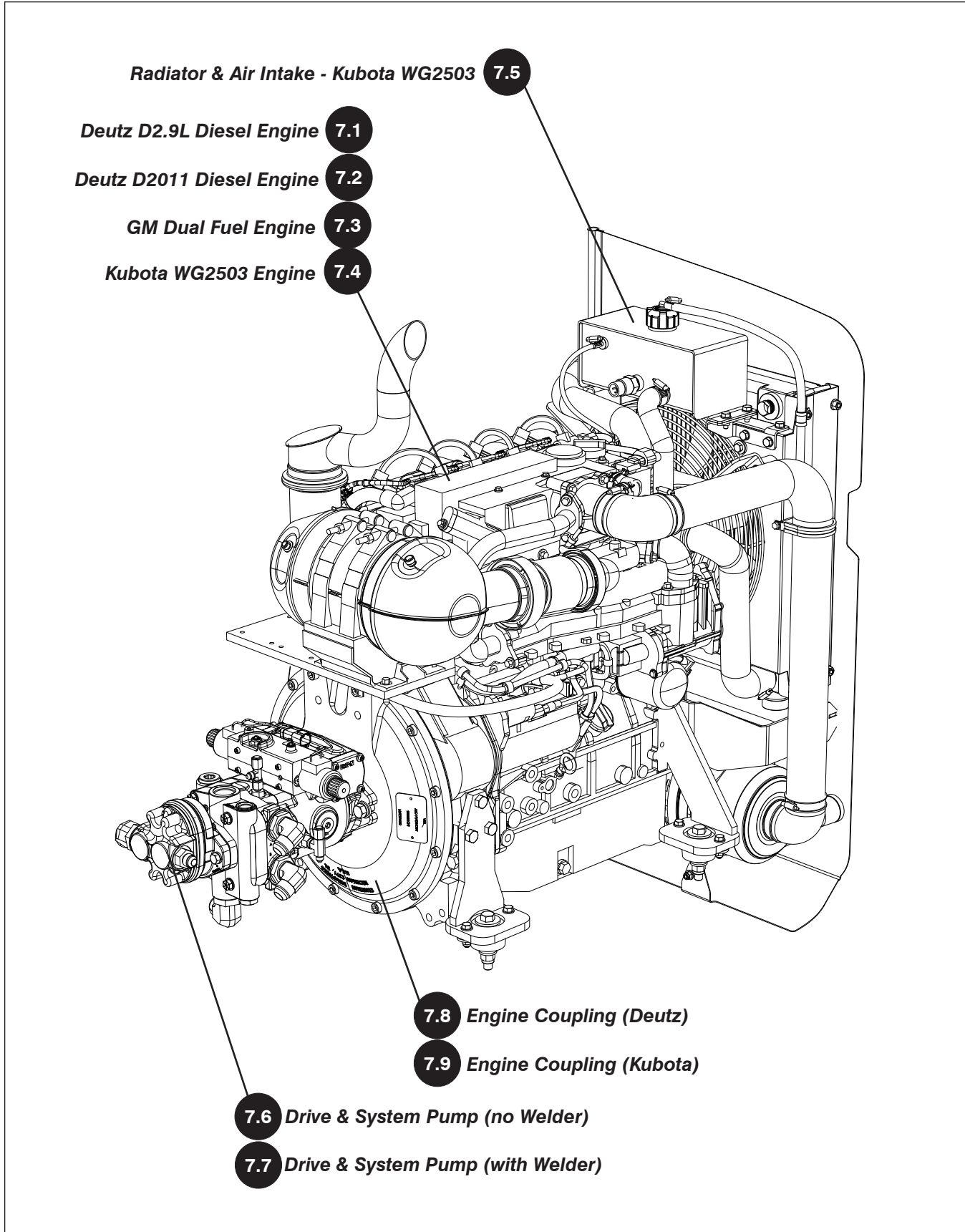


M159919AA & Optionals

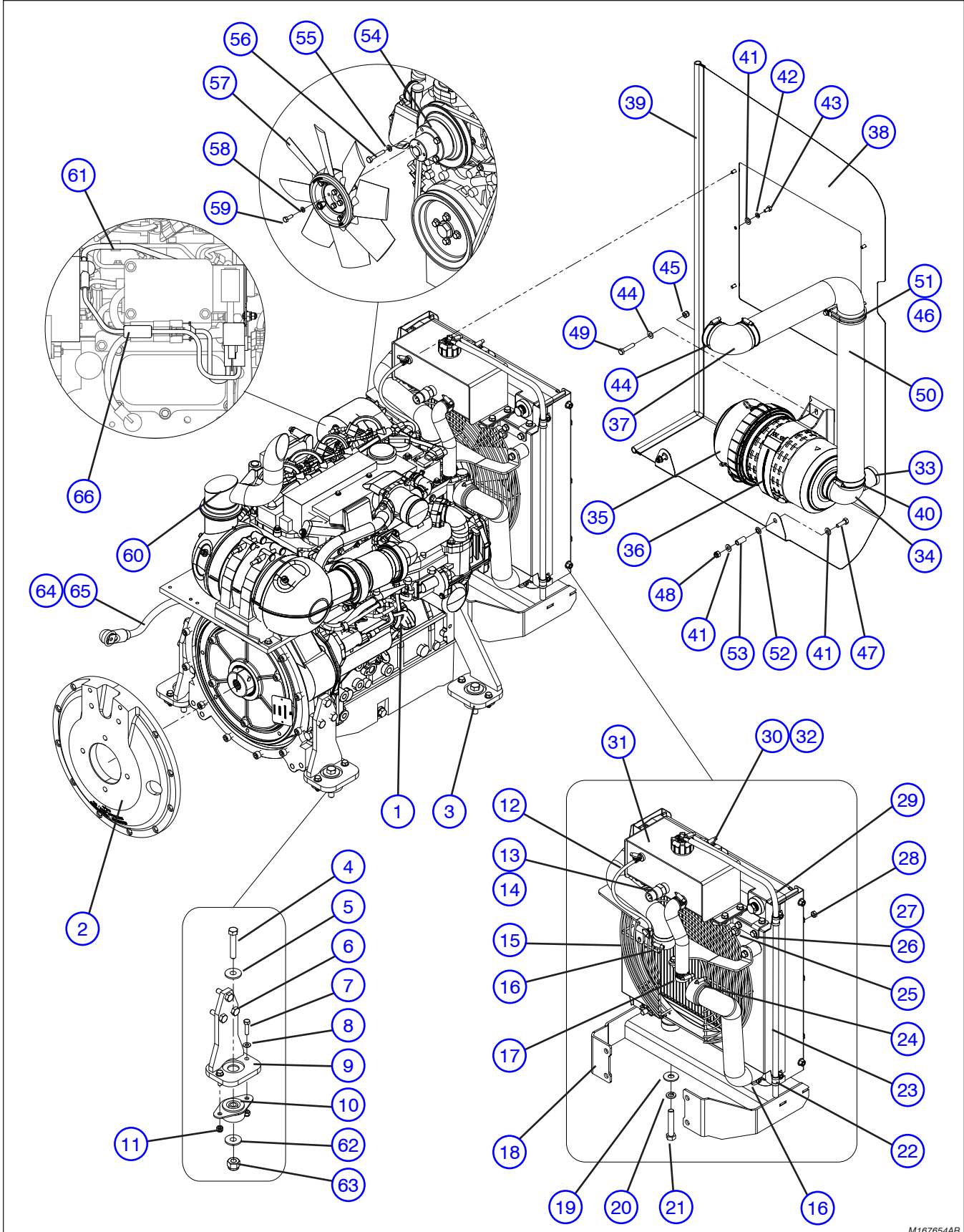
Index No.	Skyjack Part No.	Qty.	Description
A	138733	2	WHEEL ASSEMBLY, Left hand (Air filled) (ANSI/CSA)
	138732	2	WHEEL ASSEMBLY, Right hand (Air filled) (ANSI/CSA)
B	167240	2	WHEEL ASSEMBLY, Left hand (Foam filled)
	167241	2	WHEEL ASSEMBLY, Right hand (Foam filled)
C	144306	4	WHEEL ASSEMBLY, High flotation (ANSI/CSA)
D	149476	2	WHEEL ASSEMBLY, Left hand (Air filled, Non-marking) (ANSI/CSA)
	149478	2	WHEEL ASSEMBLY, Right hand (Air filled, Non-marking) (ANSI/CSA)
E	167444	2	WHEEL ASSEMBLY, Left hand (Foam filled, Non-marking)
	167443	2	WHEEL ASSEMBLY, Right hand (Foam filled, Non-marking)
1	138727	1	• RIM (16 1/2" x 9 3/4", 7/8" offset) A, B
	144307	1	• RIM (19 1/2" x 14" Duplex) C
	149367	1	• RIM (20" x 11", 1/4" offset) D, E
2	710109	1	• TIRE (12/16.5 10 PLY) A, B
	144308	1	• TIRE, High flotation (33/16LL500) C
	148915	1	• TIRE (315/55D20) D, E
	149477	1	• TIRE, Non-marking (315/55D20) D, E
3	143996	1	• VALVE STEM, TR-51 A, B
	144309	1	• VALVE STEM, OTR C, D, E
4	162400	1	• TIRE FILL, Foam (40/60 rubber crumb) B, E
5	141850	4	VALVE STEM, Green (Air tires with sealant)
6	139635	5.9L	SEALANT, Tire (Air tires with sealant)
L1	141848	1	LABEL, Tire sealant (Air tires with sealant)

Notes

Lined area for taking notes, consisting of 25 horizontal lines within a rectangular border.



7.1 Deutz D2.9L Diesel Engine

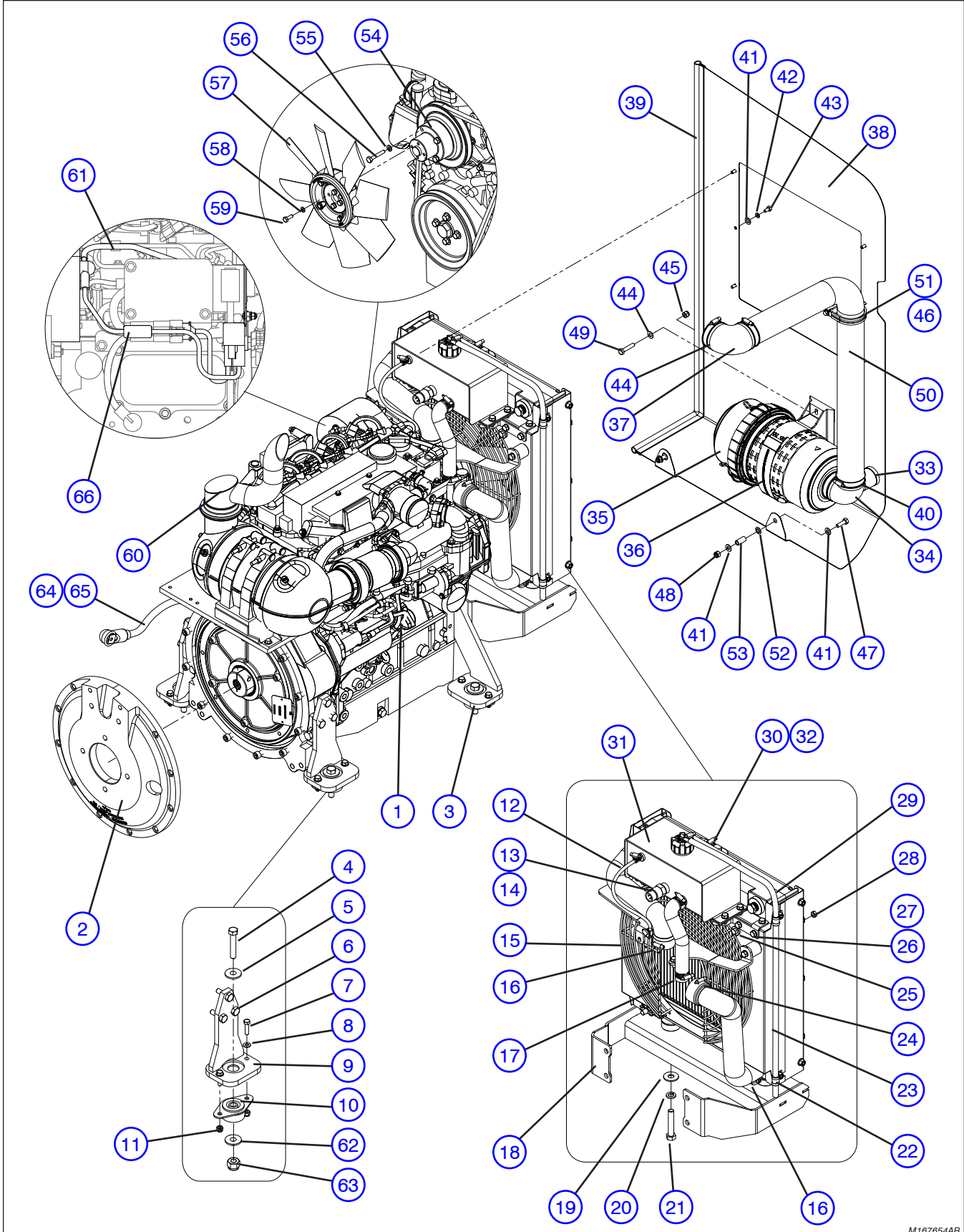


M167654AB

7.1 Deutz D2.9L Diesel Engine

Index No.	Skyjack Part No.	Qty.	Description
-	167654	1	ENGINE ASSEMBLY - Deutz D2.9L (46AJ ANSI/CSA)
1	154084	1	• ENGINE, Diesel (Deutz D2.9L)
	166689	1	• • CAP, Oil filler
	166690	1	• • DIPSTICK
	166691	1	• • PLUG, Oil pan drain
	166692	1	• • STARTER, 3.2kW
	166693	1	• • ALTERNATOR
	166694	1	• • BELT, Alternator and water pump
	164770	1	• • PUMP, Fuel
	164771	1	• • FILTER, Fuel
	164772	1	• • PRE-FILTER, Fuel
	147072	1	• • FILTER, Oil
	166695	1	• • GASKET SET
	166696	1	• • PUMP, Coolant
	166698	1	• • PLUG, Glow
	166699	1	• • THERMOSTAT
	166700	1	• • SENSOR, Fuel pressure
	166701	1	• • SENSOR, Mag pick-up
	166702	1	• • SENSOR, Coolant temperature
	166703	1	• • SENSOR, Oil pressure
	166704	1	• • SENSOR, Intake air pressure
	164845	1	• • ECU
	170956	1	• • COMPENSATOR
	170957	1	• • CLIP, Compensator
	170958	1	• • NUT, Compensator
	170959	1	• • CLIP, Compensator
	170960	1	• • CATALYST
	170961	1	• • GASKET, Compensator
2	(Ref.)	-	• ENGINE COUPLING ASSEMBLY (For components, refer to Section 7.8)
3	163047	1	• MOUNT, Front LH
	163049	1	• MOUNT, Front RH
4	103469	4	• BOLT, Hex head (1/2"-13 x 3.25", Grade 5)
5	163200	4	• WASHER, Snubbing, engine mount
6	149419	10	• BOLT, Hex head (M12 x 1.75" x 35mm, Grade 8.8)
7	112532	8	• BOLT, Hex head (5/16"-18 x 1.25", Grade 5)
8	103996	16	• WASHER, Flat (5/16")
9	163051	2	• MOUNT, Rear engine
10	163028	4	• MOUNT, Vibration - Deutz
11	103984	8	• NUT, Hex hylon lock (5/16"-18, Grade 5)
-	165038	1	• RADIATOR ASSEMBLY - D2.9L
12	160366	11"	• • HOSE, Fuel Line (3/16")
13	165058	1	• • SENSOR, Coolant level
			Parts list continued from the previous page.

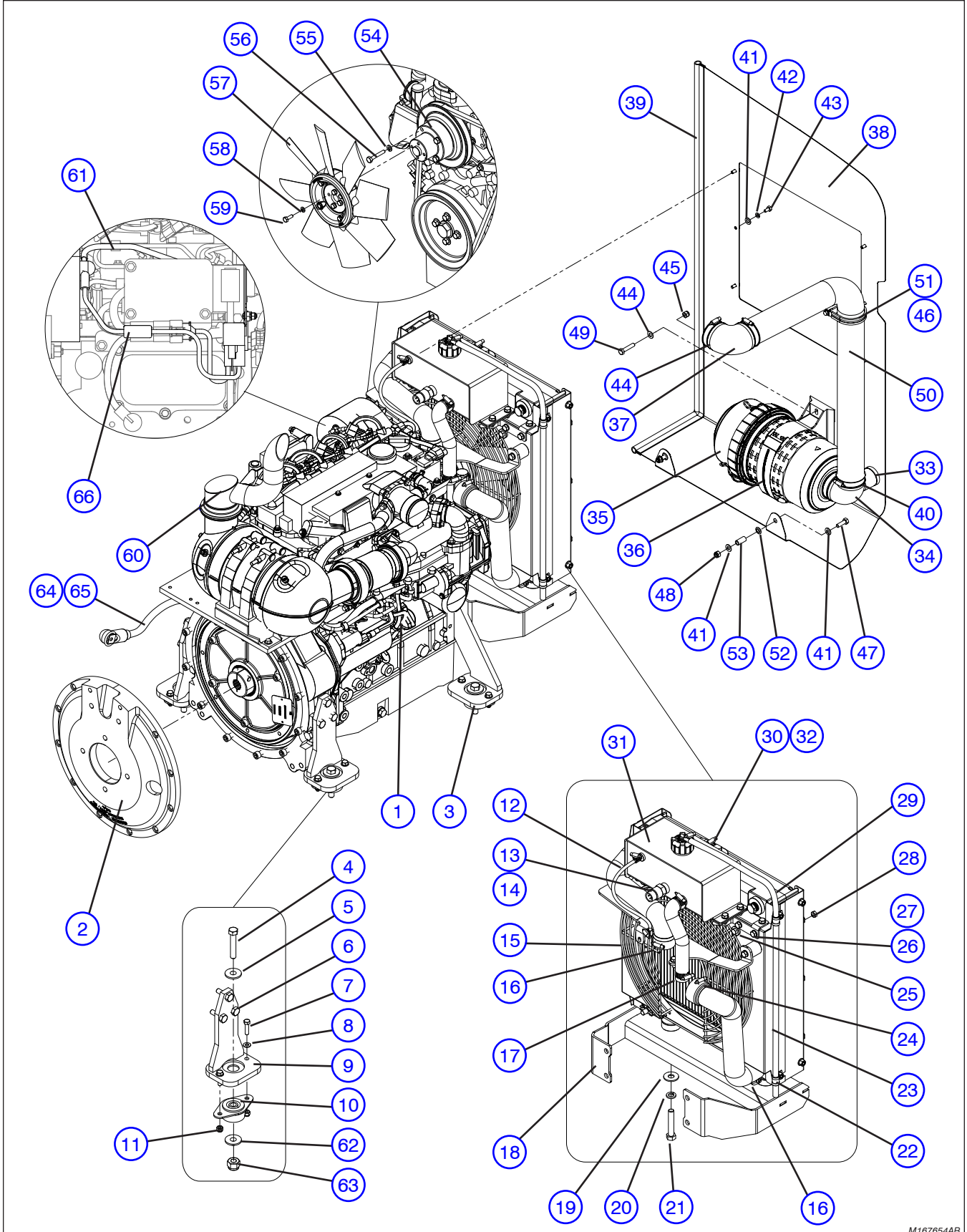
7.1 Deutz D2.9L Diesel Engine (Continued)



M167654AB

Index No.	Skyjack Part No.	Qty.	Description
			Parts list continued from the previous page.
14	166949	1	• • WASHER, Sealing (M16)
15	163395	1	• • GUARD, Fan
16	133222	1	• • CLAMP, Gear (SAE No. 32, 1-9/16" - 2-1/2")
17	142415	2	• • CLAMP, Gear (SAE No. 20, 3/4" - 1-3/4")
18	163228	1	• • KIT, Radiator - Deutz D2.9L
	170934	1	• • • HOSE, Radiator - upper
	170935	1	• • • HOSE, Radiator - lower
	170951	1	• • • HOSE, Radiator - return
19	137241	2	• • WASHER, Fender (1/2" ID)
20	103470	2	• • WASHER, Lock (1/2", Grade 5)
21	108818	2	• • BOLT, Hex head (1/2"-13 x 2.75", Grade 5)
22	144129	2	• • CLIP, Single (S332G10)
23	102984	34"	• • HOSE, Fuel line (5/16" ID)
24	104528	3	• • CLAMP, Gear (SAE No. 28, 1-5/16" - 2-1/4")
25	166164	4	• • WASHER, Flat standard (5/16")
26	133174	17	• • BOLT, Hex head (M8 x 1.25 x 20mm, Grade 5)
27	133232	13	• • WASHER, Flat (M8)
28	149496	6	• • NUT, Speed clip (1/4"-20 x 0.5L)
29	163226	1	• • RADIATOR, Deutz D2.9L
	212384	1	• • • SHROUD, Fan
30	103321	5	• • CLAMP, Gear (SAE No. 4, 1/4" - 5/8")
31	163227	1	• • RESERVOIR, Coolant, Degas TK - Deutz D2.9L
32	166737	3.75"	• • HOSE, Fuel line (3/8" ID)
-	167655	1	• AIR INTAKE ASSEMBLY - Deutz D2.9L
33	163250	1	• • INDICATOR, Service
34	163247	1	• • CONNECTOR, 90° Service indicator E200
35	163242	1	• • CLEANER, Air E200
	165947	1	• • • ELEMENT, Primary
	165948	1	• • • ELEMENT, Secondary
36	163244	1	• • BRACKET, Air cleaner E200
37	163246	1	• • CONNECTOR, 90° E200
38	167657	1	• • PLATE, Shroud
39	137625	69"	• • TRIM, Rubber
40	121869	4	• • CLAMP, Gear (2-5/8" - 3")
41	103995	6	• • WASHER, Flat (1/4")
42	104000	6	• • WASHER, Lock (1/4")
43	103892	6	• • BOLT, Hex head (1/4"-20 x 0.625", Grade 5)
44	103996	8	• • WASHER, Flat (5/16")
45	103984	4	• • NUT, Hex head nylon lock (5/16"-18, Grade 5)
46	103632	1	• • BOLT, Hex head self tapping screw (1/4"-14 x 0.75")
47	103858	2	• • BOLT, Hex head (1/4"-20 x 1.25", Grade 8)
48	115649	2	• • NUT, Hex head nylon lock (1/4"-20, Grade 5)
49	103886	2	• • BOLT, Hex head (5/16"-18 x 1.50, Grade 5)
50	164893	1	• • TUBE, Air intake - Deutz D2.9L
			Parts list continued from the previous page.

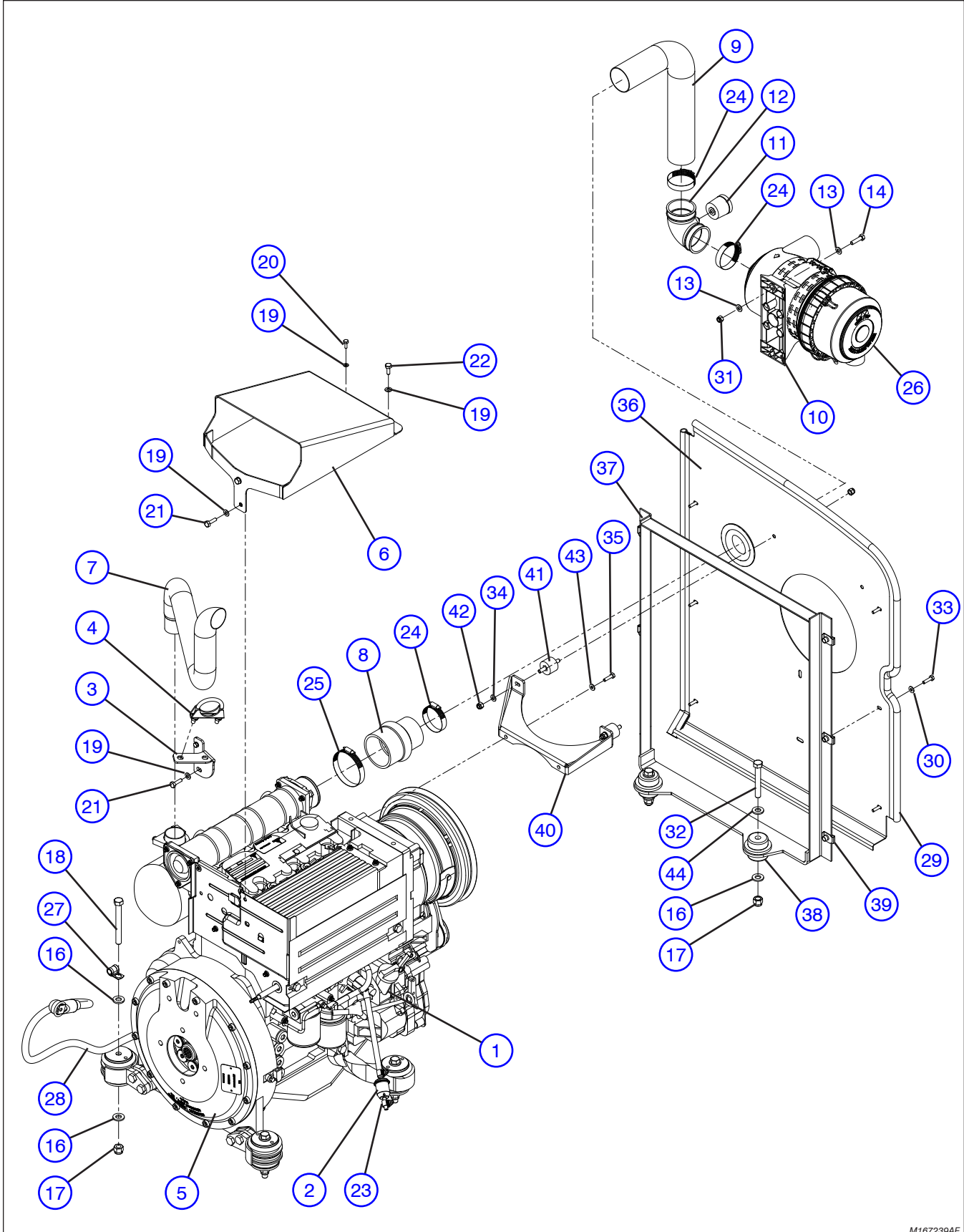
7.1 Deutz D2.9L Diesel Engine (Continued)



M167654AB

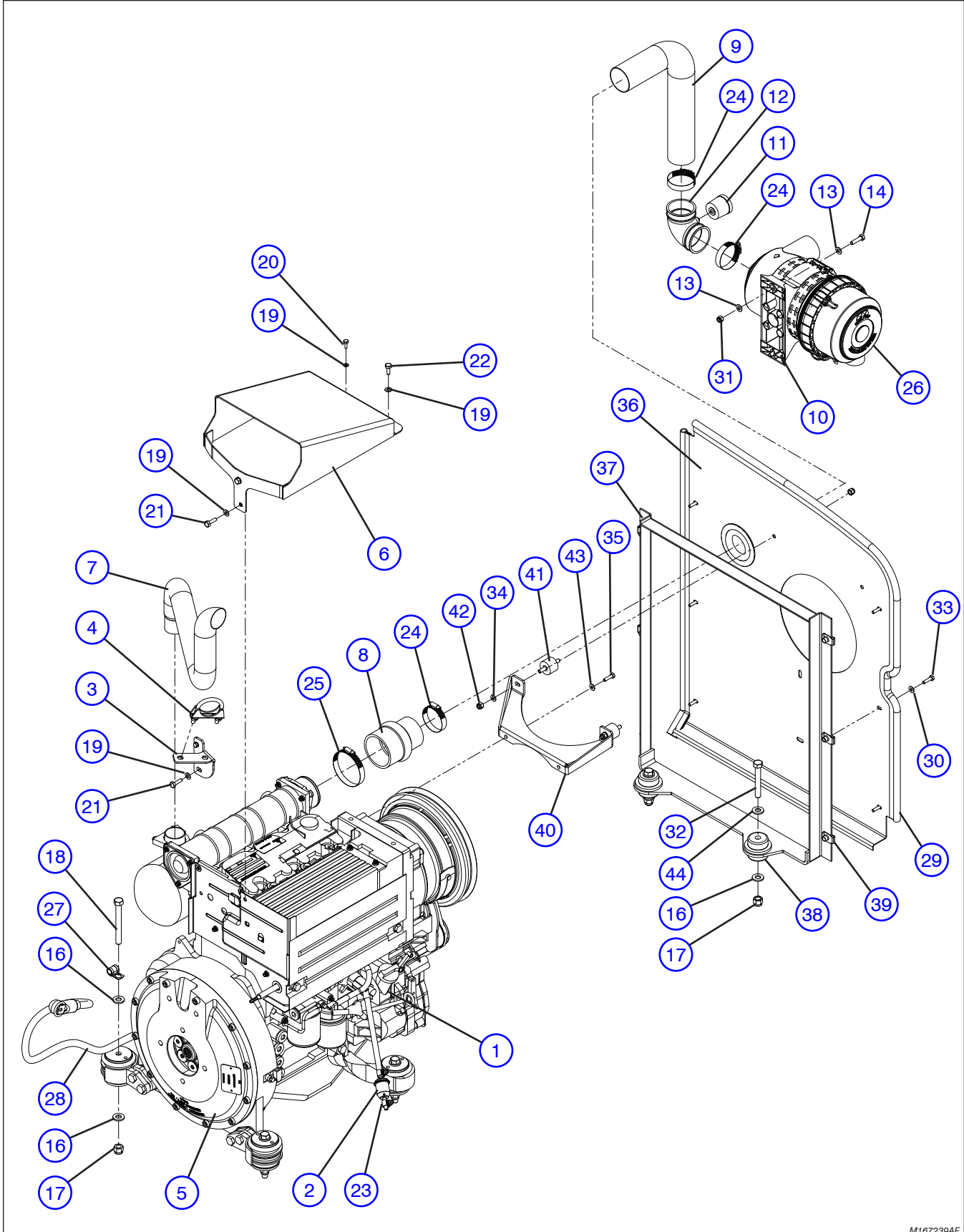
7.1 Deutz D2.9L Diesel Engine (Continued)

Index No.	Skyjack Part No.	Qty.	Description
			Parts list continued from the previous page.
51	123715	1	• • CLAMP, Clip
52	100616	2	• • GROMMET, Rubber (5/16" x 9/16" x 1/8")
53	128571	2	• • SLEEVE, Anti-vibration mount
-	165072	1	• FAN INSTALL
54	163225	1	• • ADAPTER, Fan 14"
55	116218	4	• • WASHER, Lock (M8 plated)
56	139769	4	• • BOLT, Hex head (M8 x 1.25" x 45mm, Grade 8.8)
57	163224	1	• • FAN, 14" dia. - Deutz D2.9L
58	104000	4	• • WASHER, Lock (1/4")
59	103856	4	• • BOLT, Hex head (1/4"-20 x 0.75", Grade 5)
60	164925	1	• EXHAUST PIPE
61	165602	1	• CABLE, Alternator
62	104379	4	• WASHER, Flat hardened (0.50")
63	702507	4	• NUT, Hex head nylon lock (1/2"-13 Grade 5)
64	144129	1	• CLIP, Single (S332G10)
65	165678	1	• CABLE ASSEMBLY (#2/0, 3/8" x 33" x 5/16" (03, 03))
66	165022	1	GLOW PLUG HARNESS ASSEMBLY
	104698	1	• SCREW, Round head machine (#10-32 x 0.75")
	104694	2	• WASHER, Flat (#10)
	300450	1	• NUT, Hex head (#10-32, grade 5)
	117696	1	• BOOT, Terminal, #4 AWG
	(Ref.)	1	• HARNESS ASSEMBLY, Glow plug (For components, refer to Section 5.6)



M167239AE

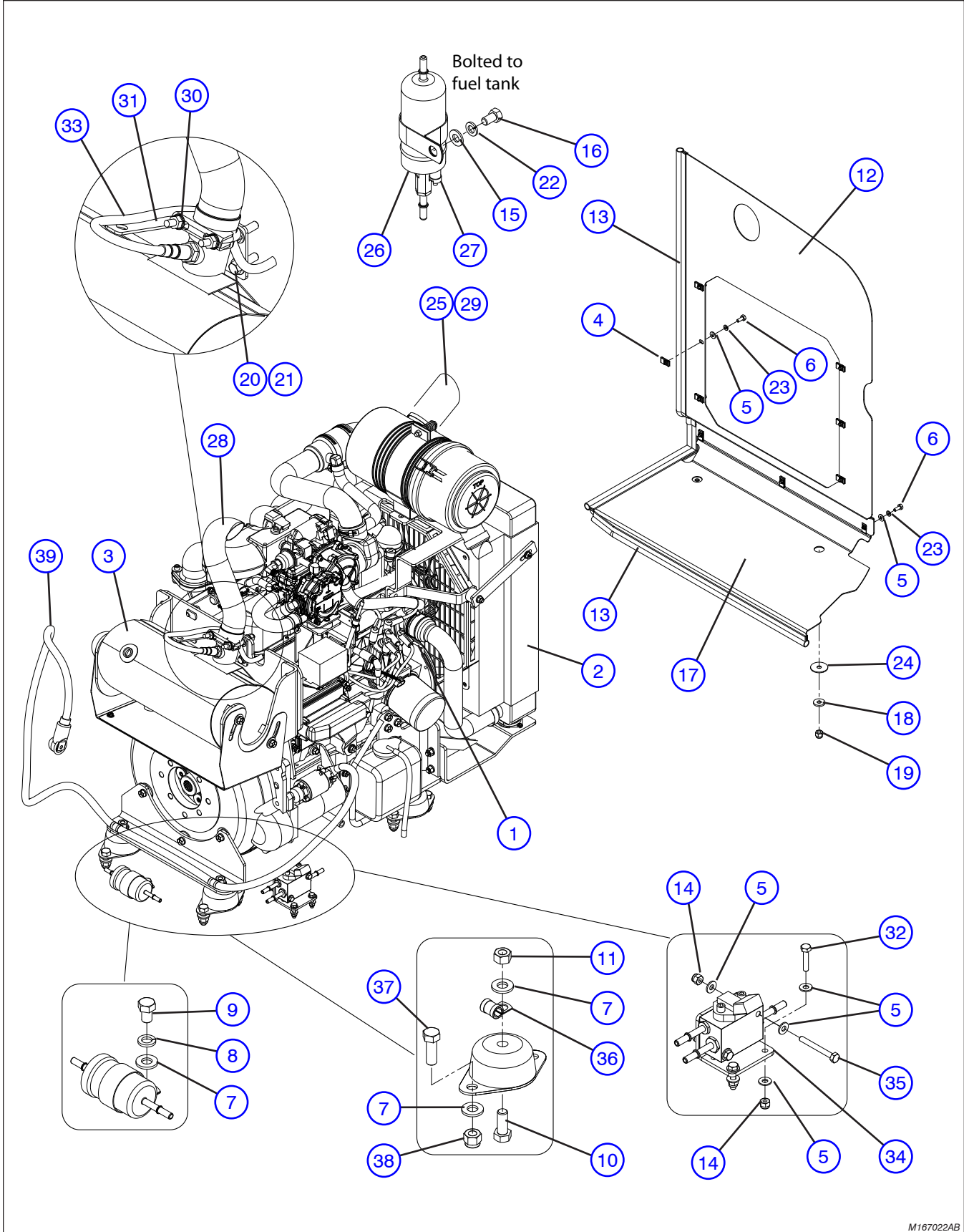
Index No.	Skyjack Part No.	Qty.	Description
-	167239	1	ENGINE ASSEMBLY - Deutz D2011
1	167801	1	• ENGINE, Diesel (Deutz D2011 L03i)
	127181	1	• • PUMP, Fuel injection
	127182	1	• • CAP, Filler
	127183	1	• • FLYWHEEL
	127184	1	• • CONNECTOR, Plug-in
	127185	1	• • CONNECTOR, Plug-in
	127186	1	• • CABLE, Interconnect
	204249	1	• • STARTER
	127188	1	• • EXHAUST, Silencer
	127189	1	• • V-BELT, Narrow
	147071	1	• • FILTER, Fuel
	147072	1	• • FILTER, Oil
	157647	1	• • ACTUATOR, Engine shutdown
	157748	1	• • DIPSTICK
2	139254	1	• FILTER, In-line fuel
3	152424	1	• SUPPORT, Exhaust stack
4	136030	1	• CLAMP, Exhaust (1.875" diameter)
5	(Ref.)	-	• ENGINE COUPLING ASSEMBLY (For components, refer to Section 7.8)
6	167254	1	• DEFLECTOR, Air
7	167216	1	• STACK, Exhaust
8	149208	1	• REDUCER, Air intake
9	167498	1	• TUBE, Air intake
10	163244	1	• BRACKET, Air cleaner
11	163250	1	• INDICATOR, Service
12	163247	1	• CONNCTOR, 90°
13	103996	4	• WASHER, Flat (5/16")
14	103885	2	• BOLT, Hex head (5/16"-18 x 1.25" Grade 5)
15	103906	2	• BOLT, Hex head (1/2"-13 x 1.75" Grade 5)
16	104379	14	• WASHER, Flat hardened (1/2")
17	702507	8	• NUT, Hex head nylon lock (1/2"-13 Grade 5)
18	111420	4	• BOLT, Hex head (1/2"-13 x 4.50" Grade 5)
19	133232	7	• WASHER, Flat (M8 DIN125)
20	104608	2	• BOLT, Hex head (M6 x 1 x 16mm, Grade 9.8)
21	133869	3	• BOLT, Hex head (ZP, M8 x 1.25 x 25mm, Grade 8.8)
22	133174	1	• BOLT, Hex head (ZP, M8 x 1.25 x 20mm, Grade 8.8)
23	116342	2	• CLAMP, Gear (SAE No. 8, 7/16" - 1")
24	121869	3	• CLAMP, Gear (SAE No. 40, 2-1/6" - 3")
25	138666	1	• CLAMP, Gear (SAE No. 54, 3-1/6" - 4")
26	163242	1	• AIR CLEANER
	165947	1	• • FILTER ELEMENT, Primary
	165948	1	• • FILTER ELEMENT, Secondary
			Parts list continued from the previous page.



M167239AE

Index No.	Skyjack Part No.	Qty.	Description
			Parts list continued from the previous page.
27	144129	1	• CLIP, Single (S332G10)
28	154244	1	• CABLE ASSEMBLY (#2/0 3/8" x 52.5" x 5/16" - 03, 03)
29	137625	100"	• SEAL, Bulb
30	103995	6	• WASHER, Flat (0.25" SAE)
31	103984	2	• NUT, Hex head nylon lock (0.313"-18 gr 5)
32	125525	2	• BOLT, Hex head (0.50"-13 x 3.50" gr 5)
33	103857	6	• BOLT, Hex head (0.25"-20 x 1.00" gr 5)
34	933832	2	• WASHER, Flat (M8 - OD16.0)
35	933655	2	• BOLT, Hex head (M8 - 1.25 x 25 CL8.8)
36	195700	1	• PLATE, Air dam
37	195701	1	• FRAME, Air dam
38	147634	2	• MOUNT, Vibration
39	149496	6	• NUT, Speed clip (0.25"-20 x 0.50 lg)
40	195702	1	• BRACKET, Upper - air dam
41	163961	2	• ISOLATOR, Rubber (M8 stud)
42	933696	4	• NUT, Hex head nylon lock (M8-1.25)
43	116218	2	• WASHER, Lock (M8 plated DIN 127B)
44	128352	2	• WASHER, Flat (0.50" style BB)

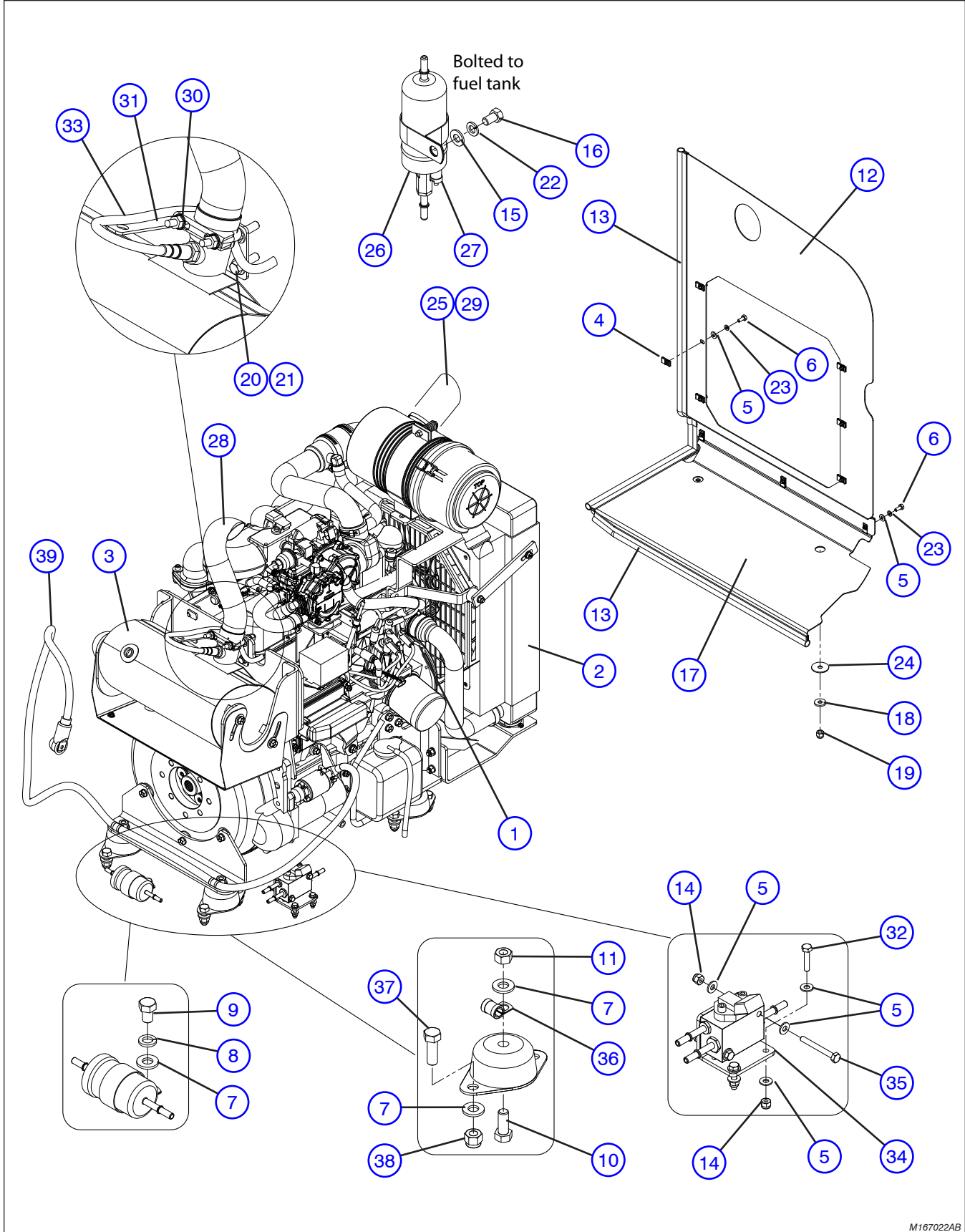
7.3 GM Dual Fuel Engine



M167022AB

Index No.	Skyjack Part No.	Qty.	Description
-	167022	-	ENGINE ASSEMBLY - GM (SJ46AJ ANSI/CSA)
1	158232	1	• ENGINE, Dual fuel - GM
	157623	1	• • PUMP, Fuel
	142301	1	• • FILTER, Fuel
	142303	1	• • MANIFOLD, Fuel
	147120	1	• • FILTER, Oil
	147121	1	• • PLUGS, Spark
	147122	1	• • SWITCH, Pressure
	157624	1	• • VALVE, Oil Drain
	157625	1	• • STARTER
	147184	1	• • BELT
	147185	1	• • ALTERNATOR
	147186	1	• • BODY, Throttle
	157626	1	• • VALVE, Lock off
	159093	1	• • SENSOR, Oxygen
	159092	1	• • REGULATOR
	157627	1	• • MIXER
	147191	1	• • SENSOR, T Map
	147192	1	• • WIRE SET, Spark plug
	147194	1	• • BOTTLE, Over flow
	147195	1	• • FILTER, Air cleaner assembly
	751678	1	• • • ELEMENT, Outer air filter
	751677	1	• • • ELEMENT, Inner air filter
	196016	1	• • ECU
	152212	1	• • HEAT SHIELD, Fuel rail
	199464	1	• • SENSOR, Crank
	209283	1	• • FAN
2	154520	1	• • RADIATOR ASSEMBLY
	152178	4	• • • CLAMP, Hose (S-28, 2")
	152179	2	• • • ISOLATOR (TPC62372)
	154532	2	• • • ISOLATOR (TPC 513308)
	154541	1	• • • RADIATOR (1.6L)
	154542	1	• • • GUARD, Fan (Pusher)
	154552	1	• • • BRACKET, Mounting (3.0L)
	154560	1	• • • HOSE, Radiator upper
	154566	1	• • • HOSE, Radiator lower
	154653	1	• • • STAYBAR, Left (3.0L)
	154654	1	• • • STAYBAR, Right (3.0L)
	103978	4	• • • NUT (3/8"-16)
	152184	2	• • • NUT, Lock w/plastic insert (3/8"-16)
	101297	4	• • • BOLT, Hex head (3/8"-16 x 1 1/4" Grade 5)
	103472	4	• • • WASHER, Flat (3/8")
	104694	4	• • • WASHER, Flat (#10)
	104185	4	• • • WASHER, Lock (#10)
			Parts list continued from the previous page.

7.3 GM Dual Fuel Engine (continued)

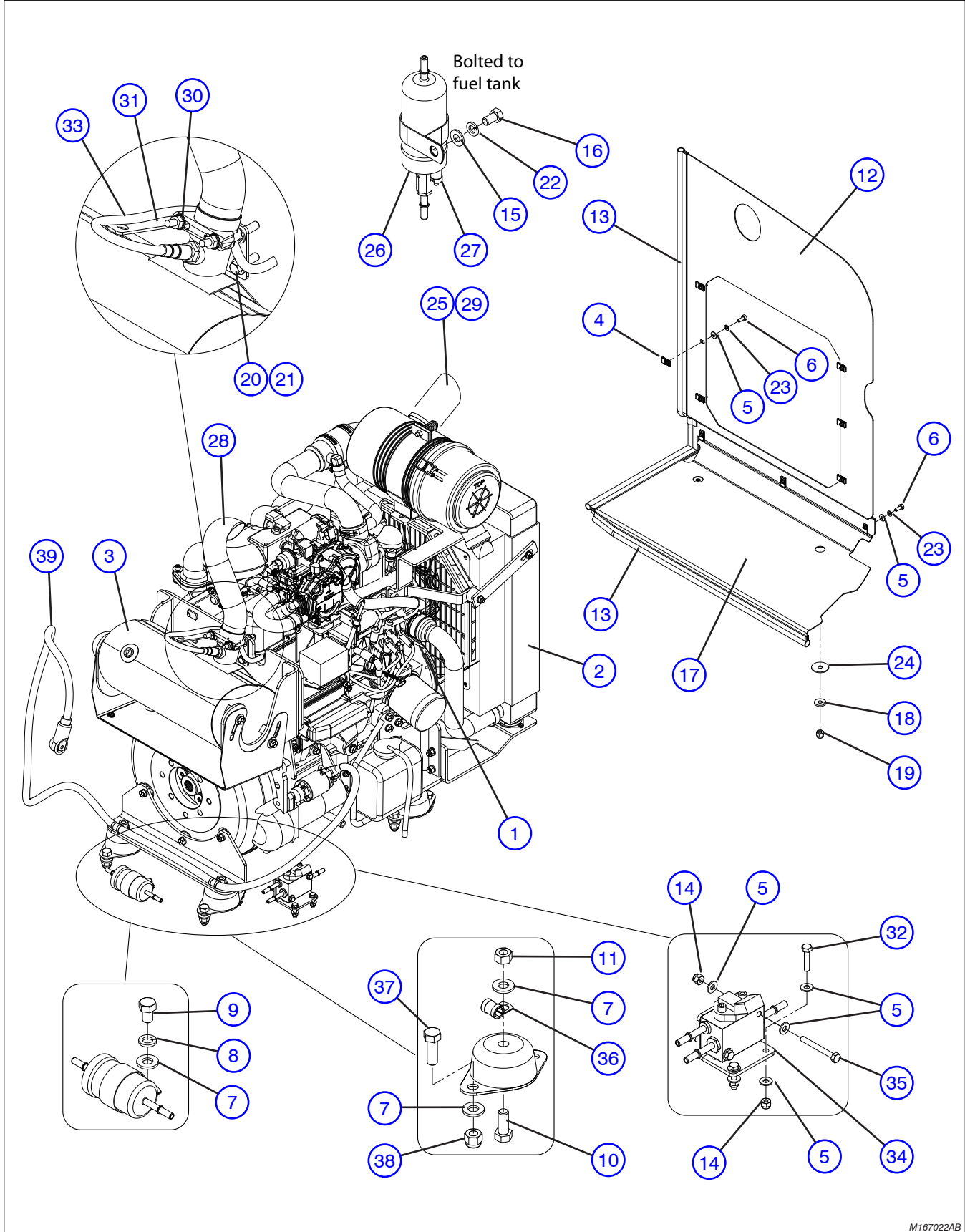


M167022AB

7.3 GM Dual Fuel Engine (continued)

Index No.	Skyjack Part No.	Qty.	Description	
			Parts list continued from the previous page.	
3	104003	4	• • • NUT, (#10-32)	
	152185	4	• • • SCREW, Slot head (#10-32 x 3/4")	
	152187	1	• • • STICKER, Radiator PGS	
	(Ref.)	1	• • CATALYST MUFFLER ASSEMBLY	
	152189	1	• • • FLANGE, Exhaust	
	152190	1	• • • GASKET, Exhaust	
	159091	1	• • • MUFFLER, Catalyst (3.0L)	
	152192	1	• • • FLANGE, Hi-temp exhaust (2.5"OD)	
	152193	1	• • • FLANGE, Hi-temp exhaust (2.0"OD)	
	152194	1	• • • SEAL, Hi-temp exhaust (2.5"OD)	
	152195	1	• • • SEAL, Hi-temp exhaust (2"ID)	
	152196	1	• • • BRACKET, Catalyst muffler	
	152197	2	• • • BRACKET, Side Catalyst muffler	
	152198	1	• • • TUBE, Exhaust	
	152210	2	• • • BOLT, Hex head (5/16"-18 x 1", Grade 5)	
	103473	10	• • • BOLT, Hex head (3/8"-16 x 1" Grade 5)	
	103870	7	• • • BOLT, Hex head (3/8"-16 x 1 1/2" Grade 5)	
	103404	2	• • • WASHER, Lock (5/16")	
	103999	10	• • • WASHER, Lock (3/8")	
	103996	2	• • • WASHER, Flat (5/16")	
	103472	7	• • • WASHER, Flat (3/8")	
	152200	10	• • • WASHER, Flat (3/8", USS)	
	103978	10	• • • NUT (3/8"-16)	
	4	149496	9	• NUT, Speed clip (1/4"-20 x 1/5" depth)
	5	103995	17	• WASHER, Flat (1/4")
6	103892	9	• BOLT, Hex head (1/4"-20 x 5/8" Grade 5)	
7	104379	13	• WASHER, Flat hardened (1/2")	
8	103470	1	• WASHER, Lock (1/2", Grade 5)	
9	116997	1	• BOLT, Hex head (1/2"-13 x 1 3/4" Grade 5)	
10	103909	4	• BOLT, Hex head (1/2"-13 x 1 1/4" Grade 5)	
11	103471	4	• NUT, Hex head (1/2"-13, Grade 5)	
12	149198	1	• PLATE, Baffle	
13	149357	75"	• SEAL, Bulb	
14	115649	4	• NUT, Hex lock (1/4"-20 Grade 5, nylon)	
15	125959	1	• WASHER, Flat hardened (3/8")	
16	138464	1	• BOLT, Hex head (3/8"-16 x 5/8" Grade 5)	
17	152556	1	• SHROUD, Under radiator (GM)	
18	152416	2	• WASHER, Rubber (1x 3/7 x 1/8 TK)	
19	104606	2	• NUT, Hex lock (3/8"-16 Grade 5, nylon)	
20	101297	2	• BOLT, Hex head (3/8"-16 x 1 1/4" Grade 5)	
21	103472	2	• WASHER, Flat (3/8")	
22	103999	1	• WASHER, Lock (3/8")	
			Parts list continued from the previous page.	

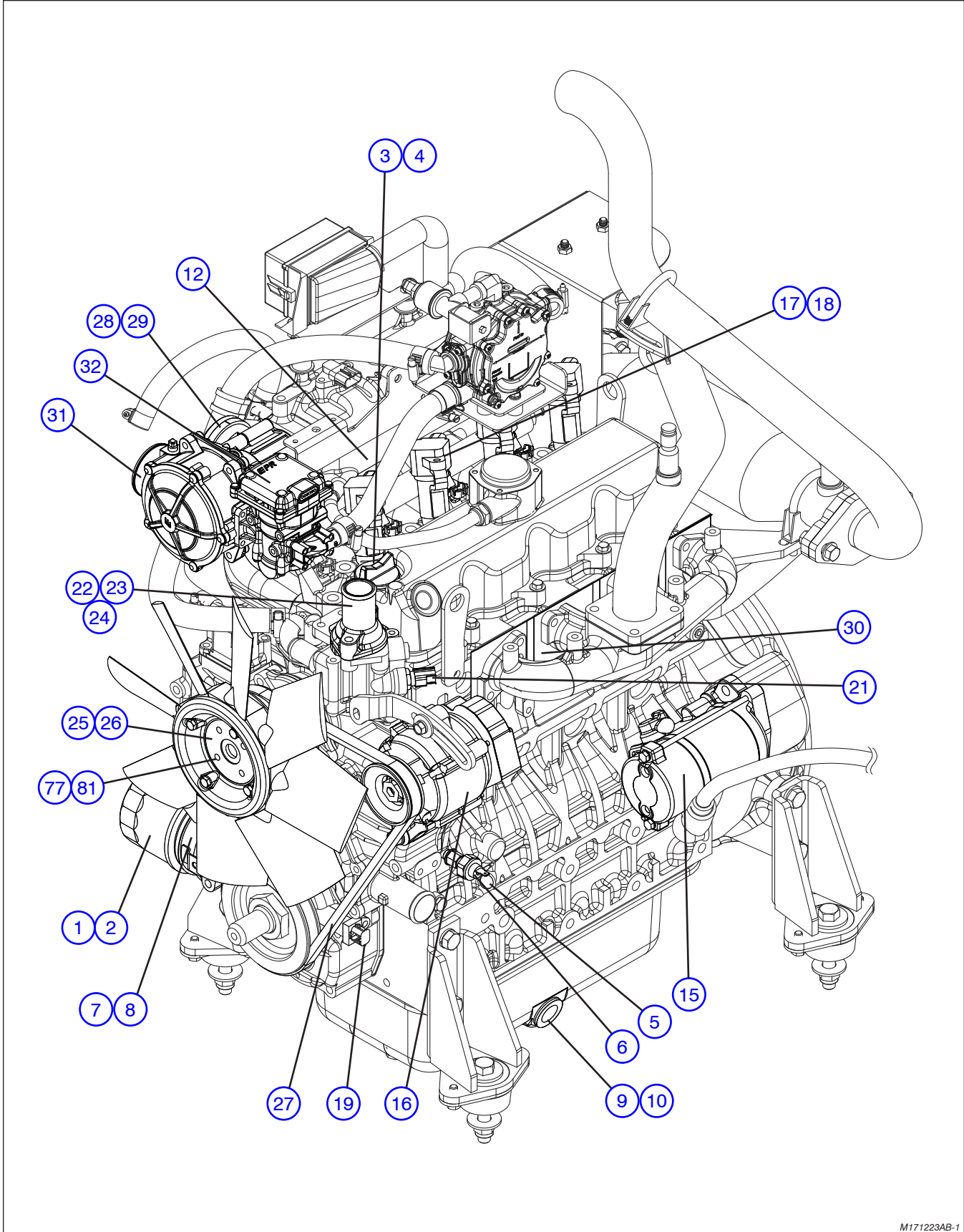
7.3 GM Dual Fuel Engine (continued)



M167022AB

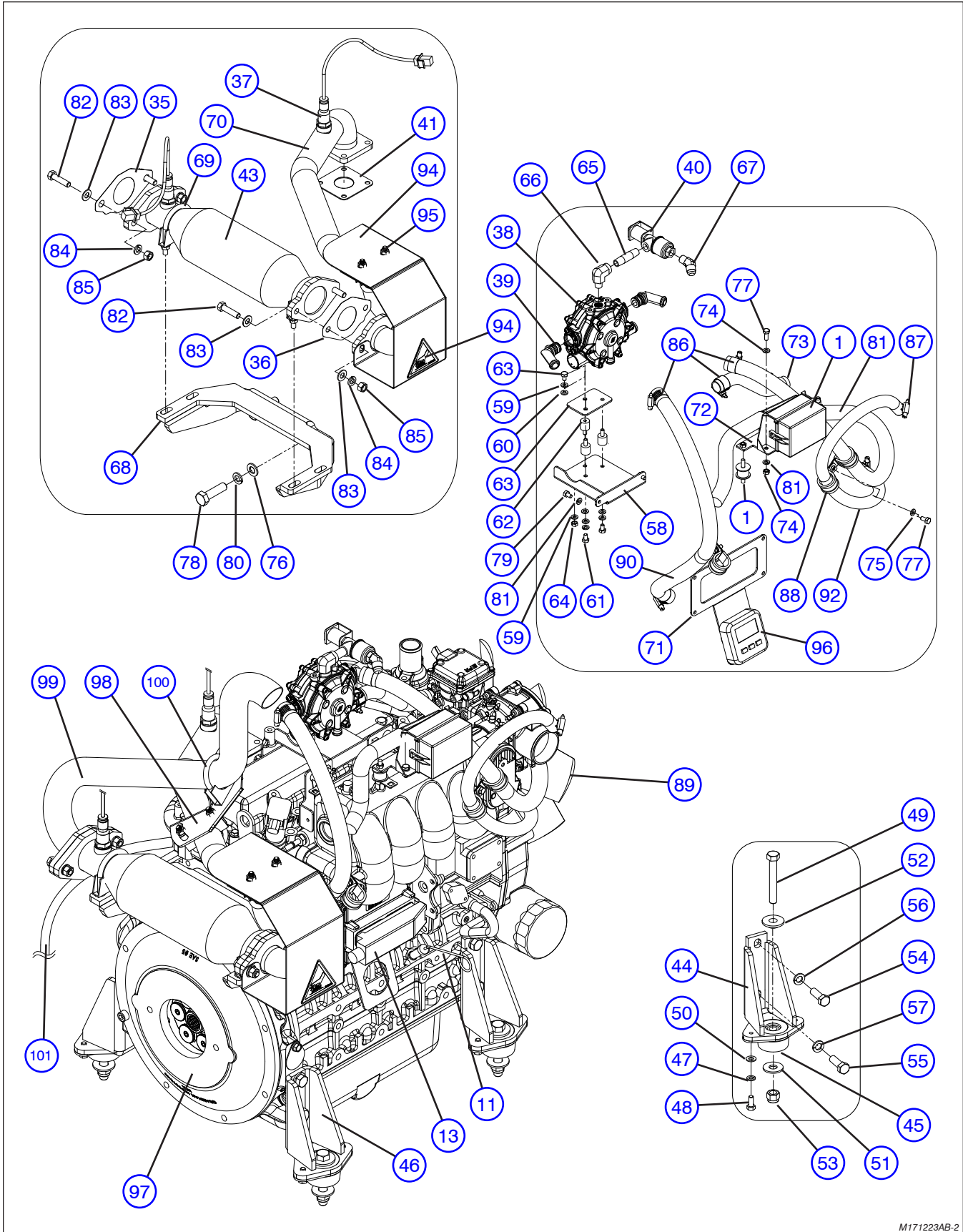
7.3 GM Dual Fuel Engine (continued)

Index No.	Skyjack Part No.	Qty.	Description
			Parts list continued from the previous page.
23	104000	9	• WASHER, Lock (1/2")
24	127067	2	• WASHER, Flat (3/8", style BB)
25	152555	1	• HOSE, Air intake
26	118367	1	• NUT, Hex (M4-0.7 DIN934)
27	133872	1	• NUT, Hex (M5-0.8 DIN934)
28	161322	1	• STACK, Exhaust
29	149493	1	• CLAMP, T-bolt (2.81-3.09)
30	136030	1	• CLAMP, Exhaust (1-7/8" dia.)
31	165916	1	• BRACKET, Wire protector
32	103858	2	• BOLT, Hex head (1/4"-20 x 1.25, Grade 5)
33	165603	1	• SLEEVE, Thermal protection
34	166755	1	• BRACKET, Fuel manifold
35	103862	2	• BOLT, Hex head (1/4"-20 x 2.25" Grade 5)
36	144129	2	• CLIP, Single (S332G10)
37	103907	8	• BOLT, Hex head (1/2"-13 x 1.50" Grade 5)
38	702507	8	• NUT, Hex head nylon lock (1/2"-13 Grade 5)
39	154245	1	• CABLE ASSEMBLY (#2/0 3/8" x 75" x 5/16" 03, 03)



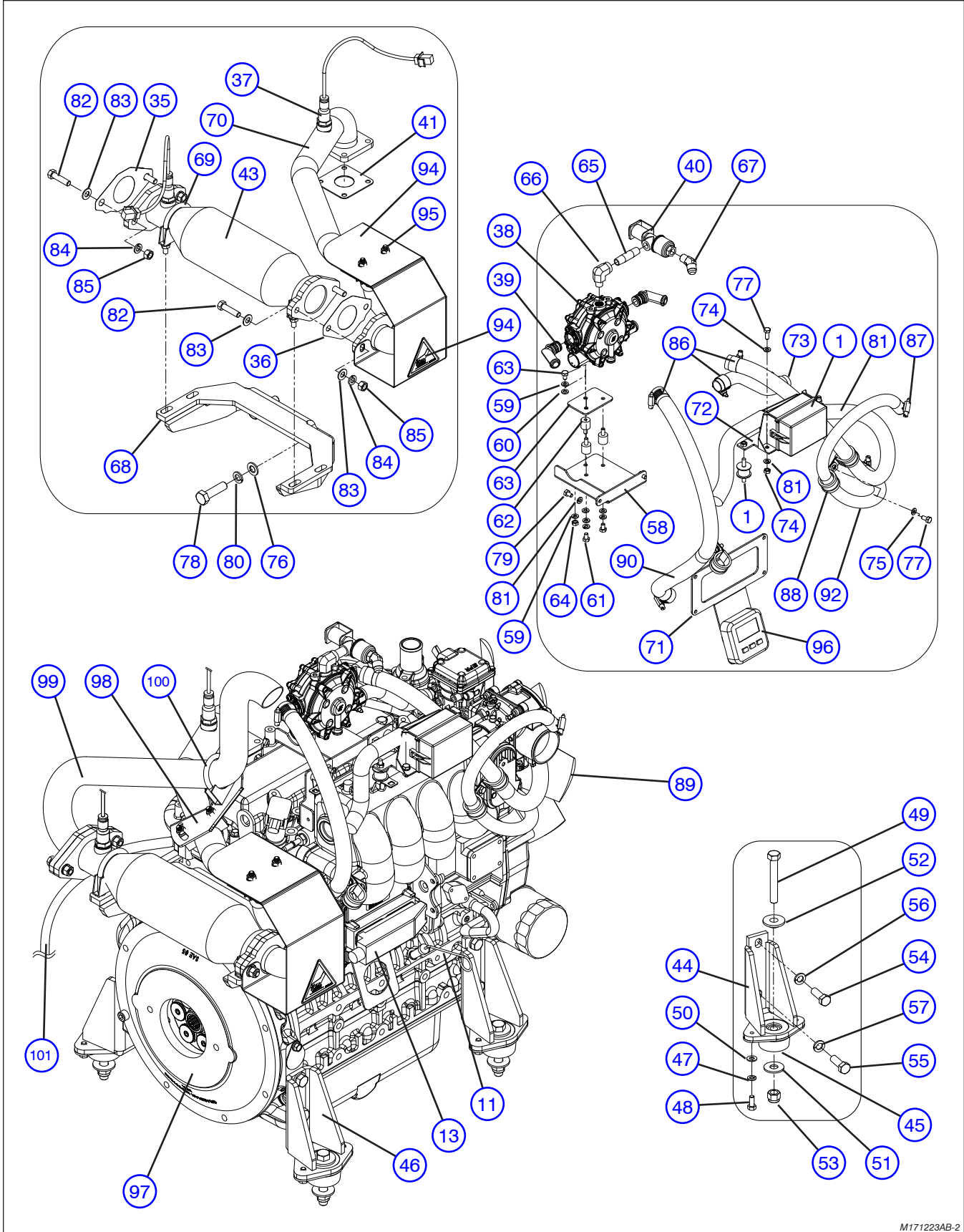
M171223AB-1

Index No.	Skyjack Part No.	Qty.	Description
-	171223	-	ENGINE ASSEMBLY - Kubota WG2503 (SJ46AJ ANSI/CSA)
-	168381	1	• ENGINE, Dual fuel - Kubota
-	171261	1	• • ENGINE, Kubota WG2503
1	194642	1	• • • SCREEN, Oil pump pick-up
2	194643	1	• • • CARTRIDGE, Oil filter
3	164644	1	• • • CAP, Oil fill
4	194645	1	• • • O-RING, Oil FILL CAP
5	194646	1	• • • PLUG, Oil gauge
6	194647	1	• • • SWITCH, Oil
7	194648	1	• • • COOLER, Oil
8	194649	1	• • • SEAL, Oil cooler
9	194650	1	• • • PLUG, Oil pan
10	194651	1	• • • O-RING, Oil pan plug
11	194652	1	• • • DIPSTICK (shown on next page)
12	194653	4	• • • INJECTOR
13	194654	1	• • • ECU (shown on next page)
14	194655	1	• • • HARNESS, Wire (not shown)
15	194656	1	• • • STARTER
16	194657	1	• • • ALTERNATOR
17	194658	4	• • • PLUG, Spark
18	194659	4	• • • COIL, Ignition
19	194660	1	• • • SENSOR, Camshaft speed
20	194661	1	• • • SENSOR, Crankshaft speed (not shown)
21	194662	1	• • • SENSOR, Water temp
22	194663	1	• • • THERMOSTAT
23	194664	1	• • • GASKET, Thermostat
24	194697	1	• • • COVER, Thermostat
25	170411	1	• • • FAN
26	194665	1	• • • PULLEY, Fan
27	194666	1	• • • BELT, Fan
28	194667	1	• • • BODY, Throttle
29	194668	1	• • • GASKET, Throttle body
30	194669	1	• • • GASKET, Exhaust manifold
31	194698	1	• • • MIXER
32	194699	1	• • • REGULATOR
			Parts list continued on the following page.



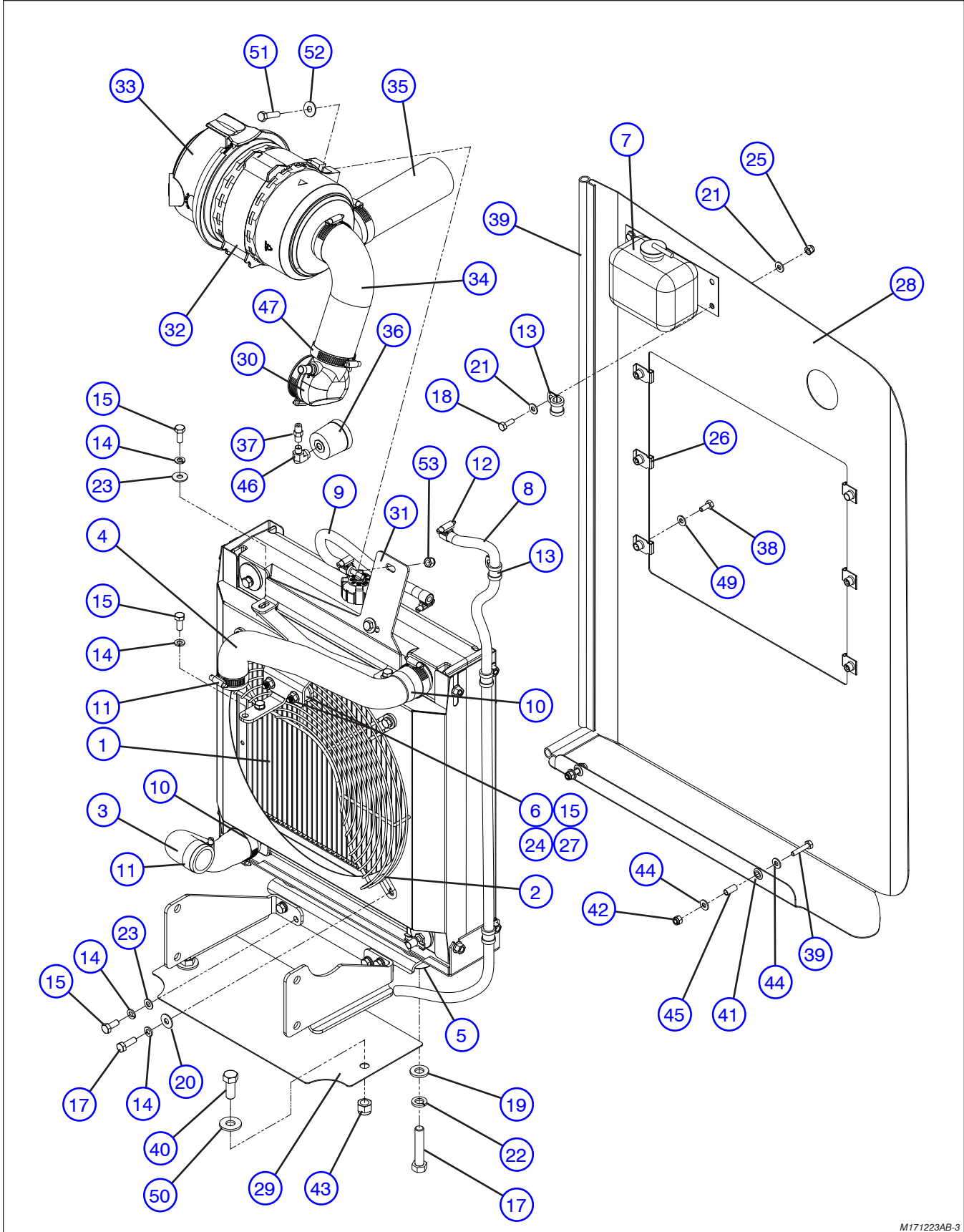
M171223AB-2

Index No.	Skyjack Part No.	Qty.	Description
			Parts list continued from the previous page.
-	171262	1	• • KIT, Engine - Kubota WG2503
33	164881	1	• • • PUMP, Fuel (not shown) (For components, refer to Section 8.9)
34	164883	1	• • • MANIFOLD, Fuel pressure (not shown) (For components, refer to Section 8.9)
35	164886	1	• • • GASKET, Cat 1
36	164885	1	• • • GASKET, Cat 2
37	164880	2	• • • SENSOR, O2
38	164887	1	• • • REGULATOR, LP
39	164888	2	• • • CONNECTOR, Vaporizer
40	164889	1	• • • VALVE, LP lock off
41	170416	1	• • • GASKET, Exhaust
42	136118	1	• • • FILTER, Fuel (not shown) (For components, refer to Section 8.9)
43	164896	1	• • CONVERTER, Catalytic
-	168706	1	• ENGINE MOUNTS
44	169606	2	• • MOUNT, Engine - rear
45	132028	4	• • MOUNT, Vibration
46	169605	2	• • MOUNT, Engine - front
47	103404	8	• • WASHER, Lock (0.312")
48	103887	8	• • BOLT, Hex head (0.312"-18 x 0.75" gr 5)
49	125525	4	• • BOLT, Hex head (0.50"-13 x 3.50" gr 5)
50	103996	8	• • WASHER, Flat (0.312")
51	137241	4	• • WASHER, Flat (0.50" AA)
52	163200	4	• • WASHER, Snubbing
52	702507	4	• • NUT, Hex head nylon lock (0.50"-13)
54	166767	4	• • BOLT, Hex head (M12 x 1.25 x 32 gr 8.8)
55	166821	4	• • BOLT, Hex head (M14 x 1.50 x 35 gr 8.8)
56	116995	4	• • WASHER, Lock (M12)
57	137838	4	• • WASHER, Lock (M14)
-	170434	1	• ENGINE ACCESSORIES
-	168711	1	• • VAPORIZER, WG2503
58	169595	1	• • • BRACKET, Vaporizer
59	121758	4	• • • WASHER, Lock (M6)
60	933834	4	• • • WASHER, Flat (M6)
61	600723	3	• • • BOLT, Hex head (M6 x 1 x 10mm gr 8.8)
62	165927	3	• • • MOUNT, Vibration
63	170399	1	• • • PLATE, Vaporizer
64	800354	1	• • • NUT, Hex head (M6-1.00)
65	143478	1	• • • FITTING, Nipple - brass (0.25" NPT x 2.00")
66	103164	1	• • • FITTING, 90° elbow (04 NPTF - 04 NPTM)
			Parts list continued on the following page.



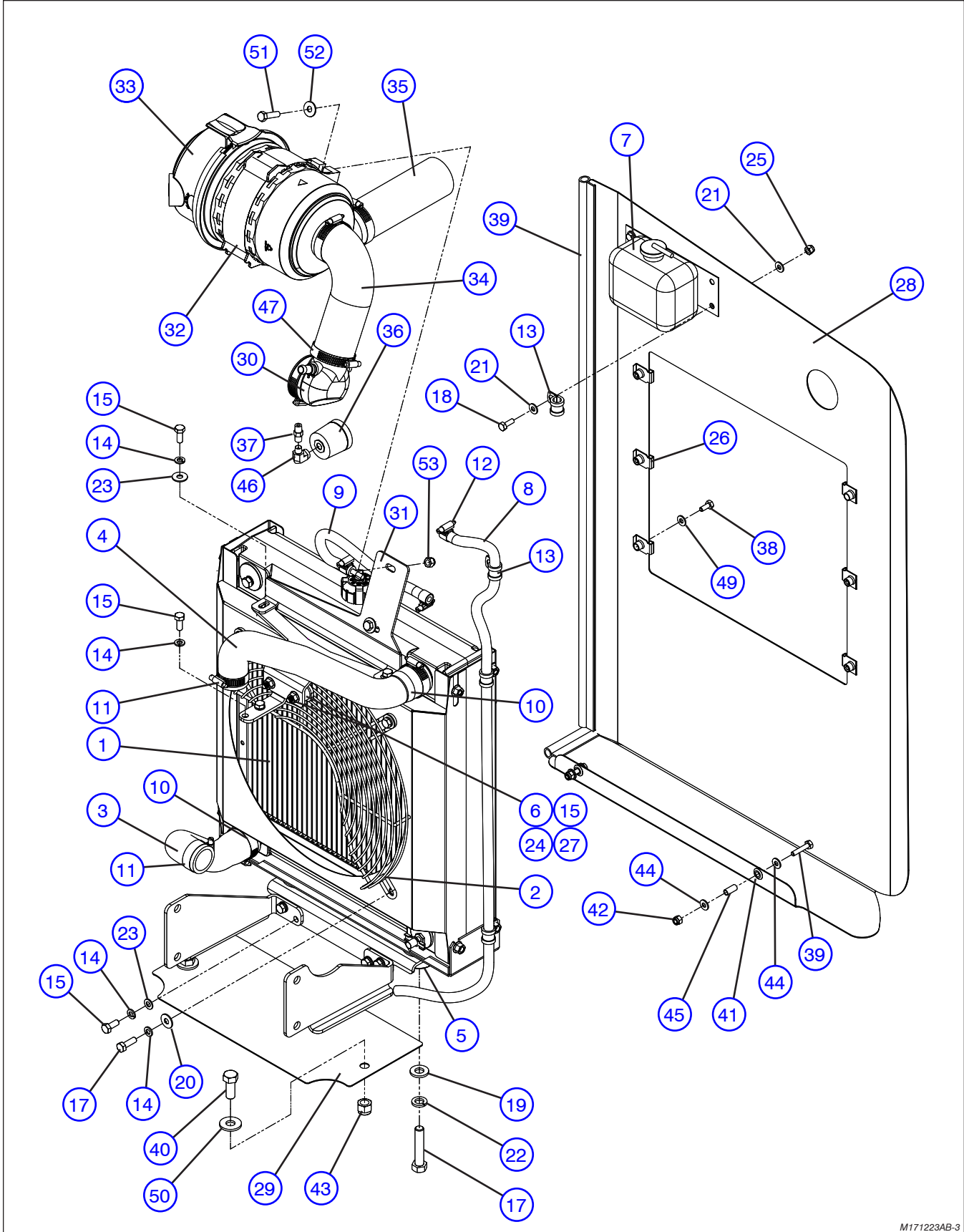
M171223AB-2

Index No.	Skyjack Part No.	Qty.	Description
			Parts list continued from the previous page.
67	103159	1	• • • FITTING, 45° elbow (06 SAE45M - 04 NPTM)
68	169599	1	• • BRACKET, Catalytic converter
69	148377	2	• • CLAMP, Exhaust pipe (2")
70	169568	1	• • PIPE, Exhaust
71	170436	1	• • BRACKET, Display
72	170435	1	• • PLATE, Fuse box
73	165930	9"	• • HOSE, Vapour (0.75")
74	800354	2	• • NUT, Hex head (M6-1.00)
75	933834	4	• • WASHER, Flat (M6)
76	600426	2	• • WASHER, Flat (M12)
77	104608	8	• • BOLT, Hex head (M6 x 1 x 16mm gr 9.8)
78	166767	2	• • BOLT, Hex head (M12 x 1.25 x 35mm gr 8.8)
79	600723	3	• • BOLT, Hex head (M6 x 1 x 10mm gr 8.8)
80	116995	2	• • WASHER, Lock (M12)
81	121758	9	• • WASHER, Lock (M6)
82	103870	4	• • BOLT, Hex head (0.375"-16 x 1.50" gr 5)
83	103472	8	• • WASHER, Flat (0.375")
84	103999	4	• • WASHER, Lock (0.375")
85	103978	4	• • WASHER, Nut (0.375"-16 gr 5)
86	103320	7	• • CLAMP, Hose (1.00")
87	102854	2	• • CLAMP, Hose (0.75")
88	168707	3	• • CLAMP, Loop (1")
89	170411	1	• • FAN, Kubota (13.5" dia)
90	925229	25"	• • HOSE (0.625")
91	925229	30"	• • HOSE (0.625")
92	163509	23"	• • HOSE (300 psi)
93	171120	1	• • SHIELD, Heat
94	169537	1	• • LABEL, Hot surface
95	102287	1	• • CLAMP, U-bolt (1.75" x 2.875")
96	166739	1	• • DISPLAY, Engine parameter
97	(Ref.)	1	• BELL HOUSING
98	171222	1	• BRACKET, Tail pipe
99	171094	1	• PIPE, Tail
100	102287	2	• CLAMP, U-bolt (1.75" x 2.875")
101	165678	1	• CABLE ASSEMBLY - Weld (#2/0 3/8" x 33" x 5/16" (03,03))



M171223AB-3

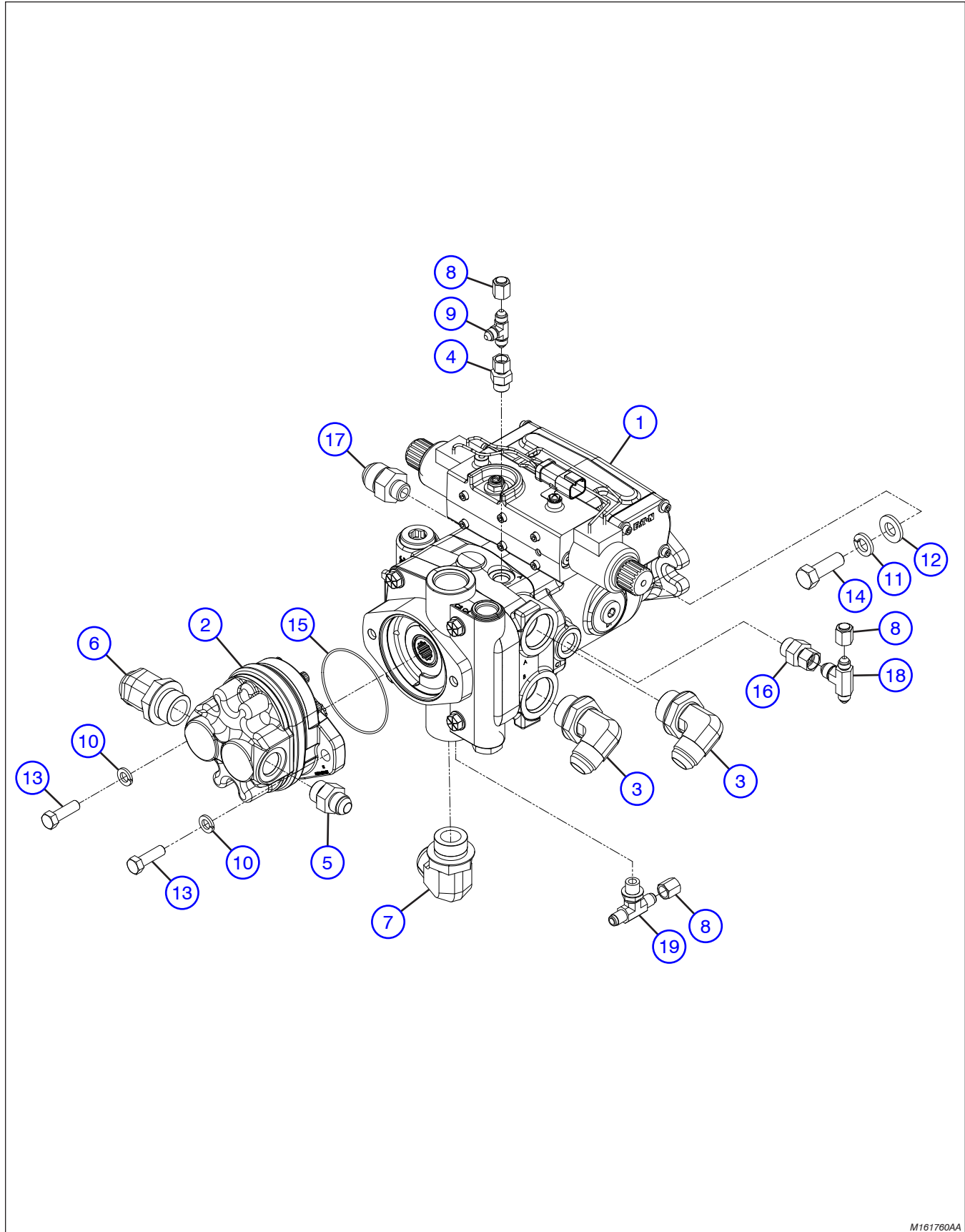
Index No.	Skyjack Part No.	Qty.	Description
-	168708	1	RADIATOR ASSEMBLY
1	168423	1	• RADIATOR, Kubota WG2503
2	169273	1	• GUARD, Fan
-	168424	1	• BRACKET KIT, Radiator
3	194635	1	• • HOSE, Lower
4	194636	1	• • HOSE, Upper
5	194637	2	• • ISOLATOR (46.4 mm x 51.21 mm, 0.50"-13))
6	194638	4	• • ISOLATOR (25 mm x 19 mm, M8-1.25)
7	147142	1	• RESERVOIR, Coolant
8	102984	35"	• LINE, Fuel (0.3125")
9	102984	12"	• LINE, Fuel (0.3125")
10	133222	2	• CLAMP, Hose (2.00")
11	104528	2	• CLAMP, Hose (1.75")
12	163521	3	• CLAMP, Hose (0.63")
13	149495	3	• CLAMP, Tube (0.50")
14	116218	11	• WASHER, Lock (M8)
15	133174	10	• BOLT, Hex head (M8-1.25 x 20 gr 8.8)
16	933655	3	• BOLT, Hex head (M8-1.25 x 25 gr 8.8)
17	103901	2	• BOLT, Hex head (0.50"-13 x 2.50" gr 5)
18	103856	1	• BOLT, Hex head (0.25"-20 x 0.75" gr 5)
19	104379	2	• WASHER, Flat (0.50" SAE hardened)
20	166164	5	• WASHER, Flat (0.312" USS)
21	103995	2	• WASHER, Flat (0.0.25")
22	103470	2	• WASHER, Lock (0.50" gr 5)
23	133232	4	• WASHER, Flat (M8)
24	933832	2	• WASHER, Flat (M8 - OD 16.0)
25	115649	1	• NUT, Hex head nylon lock (0.25"-20 gr 5)
26	149496	6	• NUT, Speed clip (0.25"-20 x 0.50")
27	933696	2	• NUT, Hex head nylon lock (M8-1.25)
-	170812	1	AIR INTAKE ASSEMBLY
28	170814	1	• BAFFLE, Kubota
29	170813	1	• TRAY, Baffle plate
30	168990	1	• TUBE, Side port
31	170815	1	• BRACKET, Breather
32	164757	1	• BAND, Mounting - air cleaner
33	164760	1	• CLEANER, Air - EP100
	195293	1	• • ELEMENT, Primary
	195294	1	• • ELEMENT, Secondary
			Parts list continued from the previous page.



M171223AB-3

Index No.	Skyjack Part No.	Qty.	Description
			Parts list continued from the previous page.
34	170778	1	• HOSE, Intake - clean side
35	170777	1	• HOSE, Intake - dirty side
36	163250	1	• INDICATOR, Service
37	406292	1	• ADAPTER, Pipe nipple (451)
38	103892	6	• BOLT, Hex head (0.25"-20 x 0.625" gr 5)
39	103858	2	• BOLT, Hex head (0.25"-20 x 1.25" gr 5)
40	103909	2	• BOLT, Hex head (0.50"-13 x 1.25" gr 5)
41	100616	2	• GROMMET, Rubber (0.3125" x 0.5625" x 0.125")
42	115649	2	• NUT, Hex head nylon lock (0.25"-20 gr 5)
43	702507	2	• NUT, Hex head nylon lock (0.50"-13 gr 5)
44	103995	4	• WASHER, Flat (0.25")
45	128571	2	• SLEEVE, Anti-vibration
46	139094	1	• FITTING, 90° elbow (0.125" NPTM - 0.125" NPTF)
47	121869	3	• CLAMP, Hose (2.50")
48	137625	42"	• TRIM, Rubber
49	103995	6	• WASHER, Flat (0.25")
50	103468	2	• WASHER, Flat (0.50" SAE)
51	112532	2	• BOLT, Hex head (0.312"-18 x 1.25" gr 5)
52	166164	2	• WASHER, Flat (0.312" USS)
53	103984	2	• NUT, Hex head nylon lock (0.313"-18 gr 5)

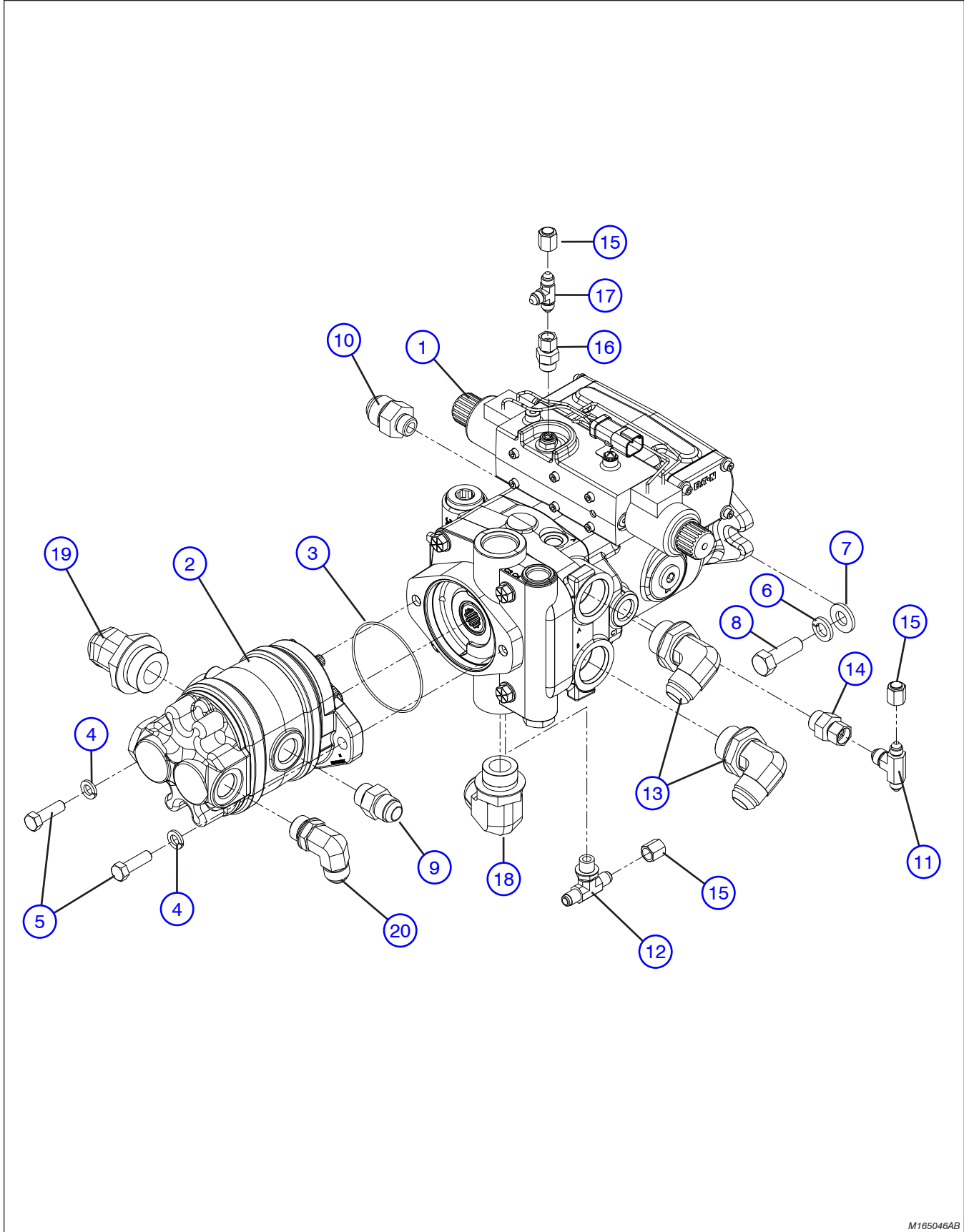
7.6 Drive and System Pump Assembly



M161760AA

Index No.	Skyjack Part No.	Qty.	Description
-	161760	-	DRIVE AND SYSTEM PUMP ASSEMBLY
1	170599	1	• PUMP ASSEMBLY, Drive (for serial number 95 001 292 & above) - A
	161686	1	• PUMP ASSEMBLY, Drive (for serial number 95 001 291 & below) - B
2	161963	1	• PUMP ASSEMBLY, System
3	710124	2	• FITTING, Elbow 90° (12 JICM - 16 ORBM)
4	160885	1	• FITTING, Straight (06 ORBM - 04 JICFS)
5	137630	1	• FITTING, Straight (10 JICM - 10 ORBM)
6	149318	1	• FITTING, Elbow 45° (16 JICM - 16 ORBM)
7	707040	1	• FITTING, Elbow 90° (16 JICM - 16 ORBM)
8	131286	3	• CAP (04 JICF)
9	131697	1	• FITTING, Run tee (04 JICM)
10	103999	2	• WASHER, Lock (3/8")
11	103470	2	• WASHER, Lock (1/2", Grade 5)
12	104379	2	• WASHER, Flat (1/2")
13	101297	2	• BOLT, Hex head (3/8"-16 x 1 1/4" Grade 5)
14	103907	2	• BOLT, Hex head (1/2"-13 x 1 1/2" Grade 5)
15	162387	1	• O-RING
16	162043	1	• FITTING, Straight (08 ORBM - 06 JICFS)
17	702118	1	• FITTING, Straight (12 JICM - 12 ORBM), A
	144279	1	• FITTING, Straight (08 ORBM - 12 JICM), B
18	162044	1	• FITTING, Tee (04 JICM - 04 JICM - 06 JICM)
19	148490	1	• FITTING, Tee (06 SAEM - 04 JICM - 04 JICM)
K1	160637	1	SEAL KIT, Drive Pump

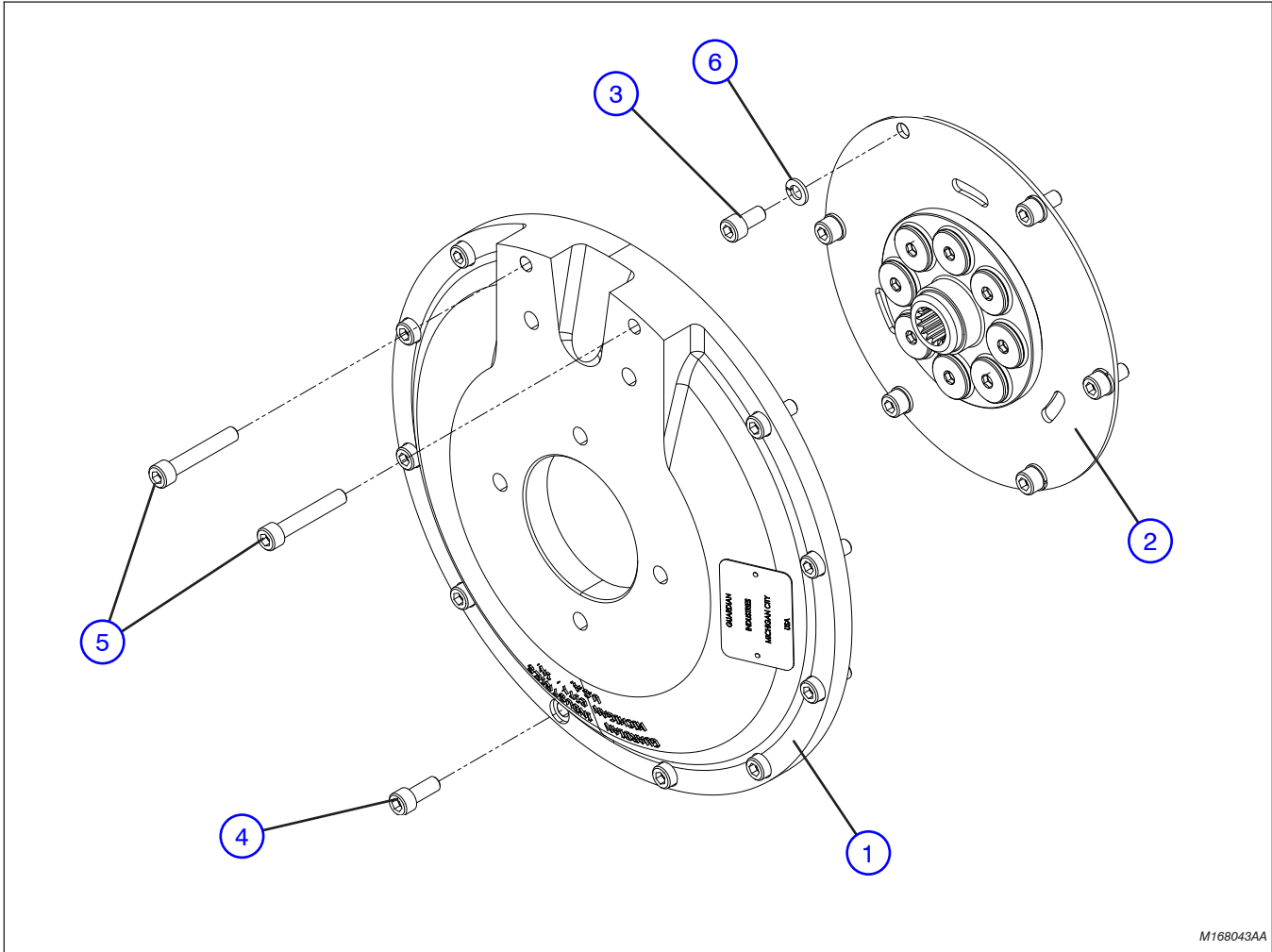
7.7 Drive and System Pump Assembly (with Welder Option)



M165046AB

Index No.	Skyjack Part No.	Qty.	Description
-	165046	-	DRIVE AND SYSTEM PUMP ASSEMBLY (for machines with Welder Option)
1	170599	1	• PUMP ASSEMBLY, Drive (for serial number 95 001 292 & above) - A
	161686	1	• PUMP ASSEMBLY, Drive (for serial number 95 001 291 & below) - B
2	162330	1	• PUMP, Tandem gear 46AJ
3	162387	1	• O-RING (3.25" ID x 1/16")
4	103999	2	• WASHER, Lock (3/8")
5	101297	2	• BOLT, Hex head (3/8"-16 x 1-1/4" Grade 5)
6	103470	2	• WASHER, Lock (1/2" Grade 5)
7	104379	2	• WASHER, Flat (1/2" Hardened)
8	103907	2	• BOLT, Hex head (1/2"-13 x 1-1/2" Grade 5)
9	137630	1	• FITTING, Straight (10 JICM - 10 ORBM)
10	702118	1	• FITTING, Straight (12 JICM - 12 ORBM), A
	144279	1	• FITTING, Straight (08 ORBM - 12 JICM), B
11	162044	1	• FITTING, Tee (04 JICM - 04 JICM - 06 JICM)
12	148490	1	• FITTING, Branch Tee (06 SAEM - 04 JICM - 04 JICM)
13	710124	2	• FITTING, 90° (12 JICM - 16 ORBM)
14	162043	1	• FITTING, Straight (08 ORBM - 06 JICFS)
15	131286	3	• FITTING, Cap (04 JICF)
16	160885	1	• FITTING, Straight (06 ORBM - 04 JICFS)
17	131697	1	• FITTING, Tee (04 JICM - 04 JICM - 04 JICM)
18	707040	1	• FITTING, 90° (16 JICM - 16 ORBM)
19	165074	1	• FITTING, 45° (16 JICM - 20 ORBM)
20	149215	1	• FITTING, 45° (10 JICM - 10 ORBM)
K1	160637	1	SEAL KIT, Drive Pump

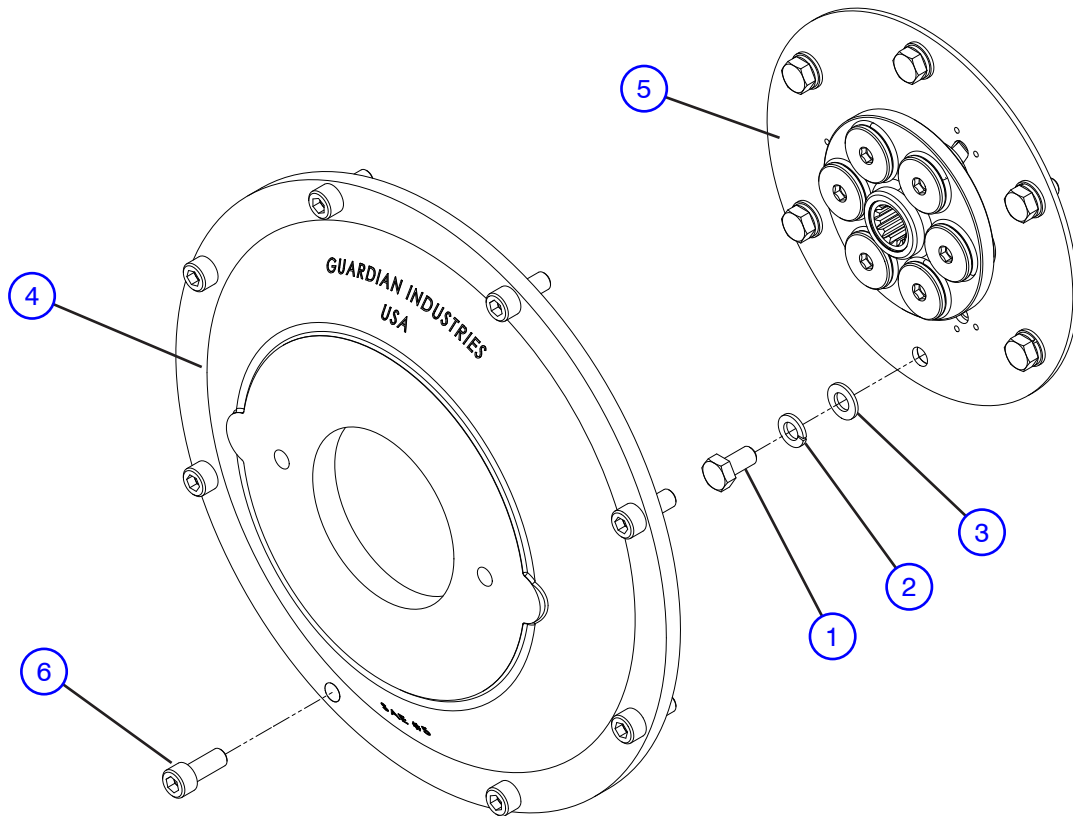
7.8 Engine Coupling - Deutz



M168043AA

Index No.	Skyjack Part No.	Qty.	Description
-	168043	1	ENGINE COUPLING ASSEMBLY - Deutz D2011 and D2.9L
1	152332	1	• HOUSING
2	168034	1	• COUPLING, Flywheel
3	168042	6	• BOLT, Socket head cap screw (M10 x 1.50 x 20mm, Grade 8.8)
4	168053	10	• BOLT, Socket head cap screw (M10 x 1.50 x 25mm, Grade 8.8)
5	152335	2	• BOLT, Socket head cap screw (M10 x 1.50 x 60mm, Grade 8.8)
6	132497	6	• WASHER, Lock (M10)

7.9 Engine Coupling - Kubota

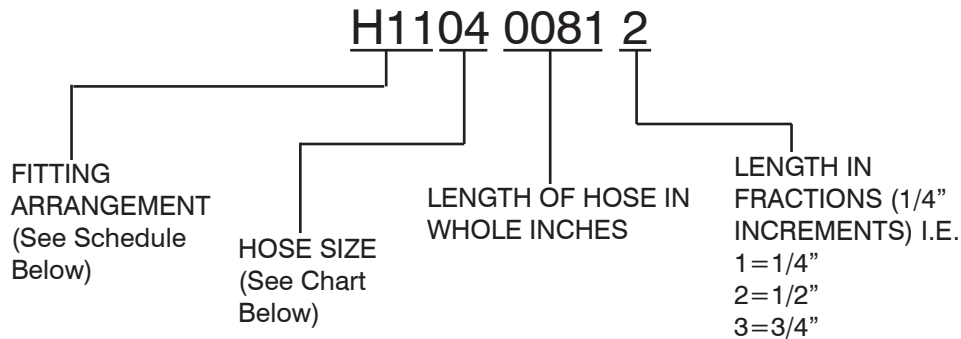


M168043AA

Index No.	Skyjack Part No.	Qty.	Description
-	170745	1	BELL HOUSING ASSEMBLY - Kubota WG2503
1	103848	6	• BOLT, Hex head (M10 x 1.25 x 20mm, Grade 8.8)
2	132497	6	• WASHER, Lock (M10)
3	600315	6	• WASHER, Flat (M10)
-	168628	1	• HOUSING ASSEMBLY
4	194719	1	• • HOUSING, Bell
5	194720	1	• • COUPLING, Spline
6	168053	8	• BOLT, Socket head cap screw (M10 x 1.50 x 25mm, Grade 8.8)

- 8.1 *Standard Hose Numbering System*
- 8.2 *Hydraulic Hose Connection - Boom Cylinders*
- 8.3 *Hydraulic Hose Connection - Manifolds & Swing Drive - S/N 95 002 084 & below*
- 8.4 *Hydraulic Hose Connection - Pumps - S/N 95 002 084 & below*
- 8.5 *Hydraulic Hose Connection - Turret - S/N 95 002 085 & above*
- 8.6 *Hydraulic Hose Connection - Base - S/N 95 002 084 & below*
- 8.7 *Hydraulic Hose Connection - Base - S/N 95 002 085 & above*
- 8.8 *Fuel Line Connection - Deutz D2.9L Diesel Engine*
- 8.9 *Fuel Line Connection - Deutz D2011 Diesel Engine*
- 8.10 *Fuel Line Connection - GM Dual Fuel Engine*
- 8.11 *Fuel Line Connection - Kubota WG2503 Engine*
- 8.12 *Propane Line Connection - Kubota WG2503 Engine*

8.1 Standard Hose Numbering System



Using the number above as an example (H1104 0081 2). This hose requires a 37° JIC, female swivel fitting on one end. A medium length 90° JIC, female swivel fitting for the other end. The Hose must meet or exceed S.A.E. 100R13 hose specification, and be a total of 81-1/2" long. NOTE: Hose ends and hose must be from same manufacturer per S.A.E. J1273 Nov. '91, Sections 3.10 and 4.2. Hose ends and hose must be of the same size i.e. #4 size fittings must be used with #4 size hose.

Hose Size Chart

SIZE	03	04	06	08	10	12	16	20	24	32	40	48	56	64
ID	3/16"	1/4"	3/8"	1/2"	5/8"	3/4"	1"	1-1/4"	1-1/2"	2"	2-1/2"	3"	3-1/2"	4"

Fitting Arrangement Schedule (Continued on the following page)

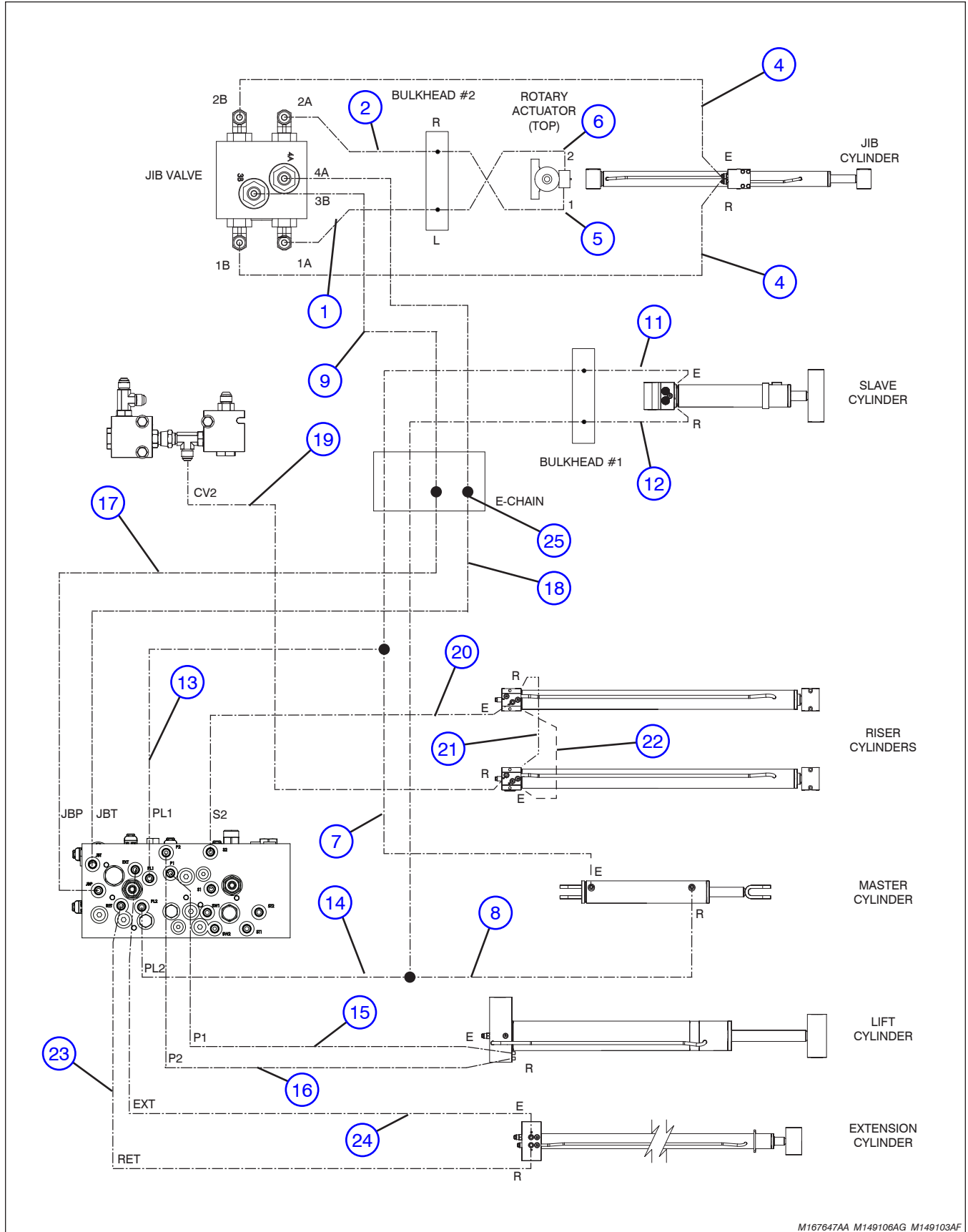
HOSE PREFIX	HOSE END FITTING	HOSE END FITTING	S.A.E. HOSE SPECIFICATION
H01	FEMALE, 37° JIC, SWIVEL	FEMALE, 37° JIC, SWIVEL	100R17
H02	FEMALE, 37° JIC, SWIVEL	FEMALE, 37° JIC, SWIVEL	100R13
H03	FEMALE, 37° JIC, SWIVEL	45°, FEMALE, 37° JIC, SWIVEL	100R17
H04	FEMALE, 37° JIC, SWIVEL	45°, FEMALE, 37° JIC, SWIVEL	100R13
H05	FEMALE, 37° JIC, SWIVEL	LONG 90°, FEMALE, 37° JIC, SWIVEL	100R17
H06	FEMALE, 37° JIC, SWIVEL	SHORT 90°, FEMALE, 37° JIC, SWIVEL	100R17
H07	LONG 90°, FEMALE, 37° JIC, SWIVEL	LONG 90°, FEMALE, 37° JIC, SWIVEL	100R17
H08	FEMALE, 37° JIC, SWIVEL	FEMALE, 37° JIC, SWIVEL	100R4
H09	FEMALE, 37° JIC, SWIVEL	45°, FEMALE, 37° JIC, SWIVEL	100R4
H10	FEMALE, 37° JIC, SWIVEL	MALE PIPE THREAD FITTING	100R17
H11	FEMALE, 37° JIC, SWIVEL	MEDIUM 90°, FEMALE, 37° JIC, SWIVEL	100R13
H12	SHORT 90°, FEMALE, 37° JIC, SWIVEL	SHORT 90°, FEMALE, 37° JIC, SWIVEL	100R17
H13	FEMALE, 37° JIC, SWIVEL	REUSABLE MALE PIPE THREAD FITTING	300 PSI
H14	REUSABLE MALE PIPE THREAD FITTING	NO FITTING	300 PSI
H15	REUSABLE, FEMALE, 37° JIC, SWIVEL	REUSABLE, FEMALE, 37° JIC, SWIVEL	300 PSI

8.1 Standard Hose Numbering System

Fitting Arrangement Schedule (Continued from the previous page)

HOSE PREFIX	HOSE END FITTING	HOSE END FITTING	S.A.E. HOSE SPECIFICATION
H16	NO FITTING	NO FITTING	100R4
H17	NO FITTING	NO FITTING	300 PSI
H18	REUSABLE, FEMALE, 37° JIC, SWIVEL	NO FITTING	300 PSI
H19	LONG 90°, FEMALE, 37° JIC, SWIVEL	FEMALE, 37° JIC, SWIVEL	100R13
H20	FEMALE, SHORT 37° JIC, SWIVEL	SHORT 90°, FEMALE, 37° JIC, SWIVEL	100R4
H21	FEMALE, SHORT 37° JIC, SWIVEL	SHORT 90°, FEMALE, 37° JIC, SWIVEL	100R2AT
H22	FEMALE, 37° JIC, SWIVEL	FEMALE, 37° JIC, SWIVEL	100R2AT
H23	FEMALE, LONG 37° JIC, SWIVEL	LONG 90°, FEMALE, 37° JIC, SWIVEL	100R2AT
H24	FEMALE, SHORT 37° JIC, SWIVEL	SHORT 90°, FEMALE, 37° JIC, SWIVEL	100R13
H25	FEMALE, 37° JIC, SWIVEL	FEMALE, 37° JIC, SWIVEL	100R4
H26	SHORT 90°, FEMALE, 37° JIC, SWIVEL	FEMALE, 37° JIC, SWIVEL	100R17
H27	LONG 90°, FEMALE, 37° JIC, SWIVEL	FEMALE, 37° JIC, SWIVEL	100R17
H28	FEMALE, 37° JIC, SWIVEL	FEMALE, 37° JIC, SWIVEL	100R17
H29	SHORT 45°, FEMALE, 37° JIC, SWIVEL	FEMALE, 37° JIC, SWIVEL	100R17
H30	MEDIUM 90°, FEMALE, 37° JIC, SWIVEL	FEMALE, 37° JIC, SWIVEL	100R17
H31	FEMALE, 37° JIC, SWIVEL	FEMALE, 37° JIC, SWIVEL	100R17
H32	SHORT 45°, FEMALE, 37° JIC, SWIVEL	FEMALE, 37° JIC, SWIVEL	100R17
H33	MEDIUM 45°, FEMALE, 37° JIC, SWIVEL	FEMALE, 37° JIC, SWIVEL	100R17
H34	SHORT 90°, FEMALE, 37° JIC, SWIVEL	FEMALE, 37° JIC, SWIVEL	100R17
H35	MEDIUM 90°, FEMALE, 37° JIC, SWIVEL	FEMALE, 37° JIC, SWIVEL	100R17
H36	LONG 90°, FEMALE, 37° JIC, SWIVEL	FEMALE, 37° JIC, SWIVEL	100R17
H37	SHORT 45°, FEMALE, 37° JIC, SWIVEL	FEMALE, 37° JIC, SWIVEL	100R4
H38	SHORT 90°, FEMALE, 37° JIC, SWIVEL	FEMALE, 37° JIC, SWIVEL	100R4
H39	LONG 90°, FEMALE, 37° JIC, SWIVEL	FEMALE, 37° JIC, SWIVEL	100R4
H40	SHORT 90°, FEMALE, 37° JIC, SWIVEL	FEMALE, 37° JIC, SWIVEL	100R16
H43	FEMALE, 37° JIC, SWIVEL	FEMALE, 37° JIC, SWIVEL	100R16
H51	FEMALE, 37° JIC, SWIVEL	FEMALE, 37° JIC, SWIVEL	100R17
H52	SHORT 45°, FEMALE, 37° JIC, SWIVEL	FEMALE, 37° JIC, SWIVEL	100R17
H53	MEDIUM 45°, FEMALE, 37° JIC, SWIVEL	FEMALE, 37° JIC, SWIVEL	100R17
H54	SHORT 90°, FEMALE, 37° JIC, SWIVEL	FEMALE, 37° JIC, SWIVEL	100R17
H55	MEDIUM 90°, FEMALE, 37° JIC, SWIVEL	FEMALE, 37° JIC, SWIVEL	100R17
H56	LONG 90°, FEMALE, 37° JIC, SWIVEL	FEMALE, 37° JIC, SWIVEL	100R17

8.2 Hydraulic Hose Connection - Boom



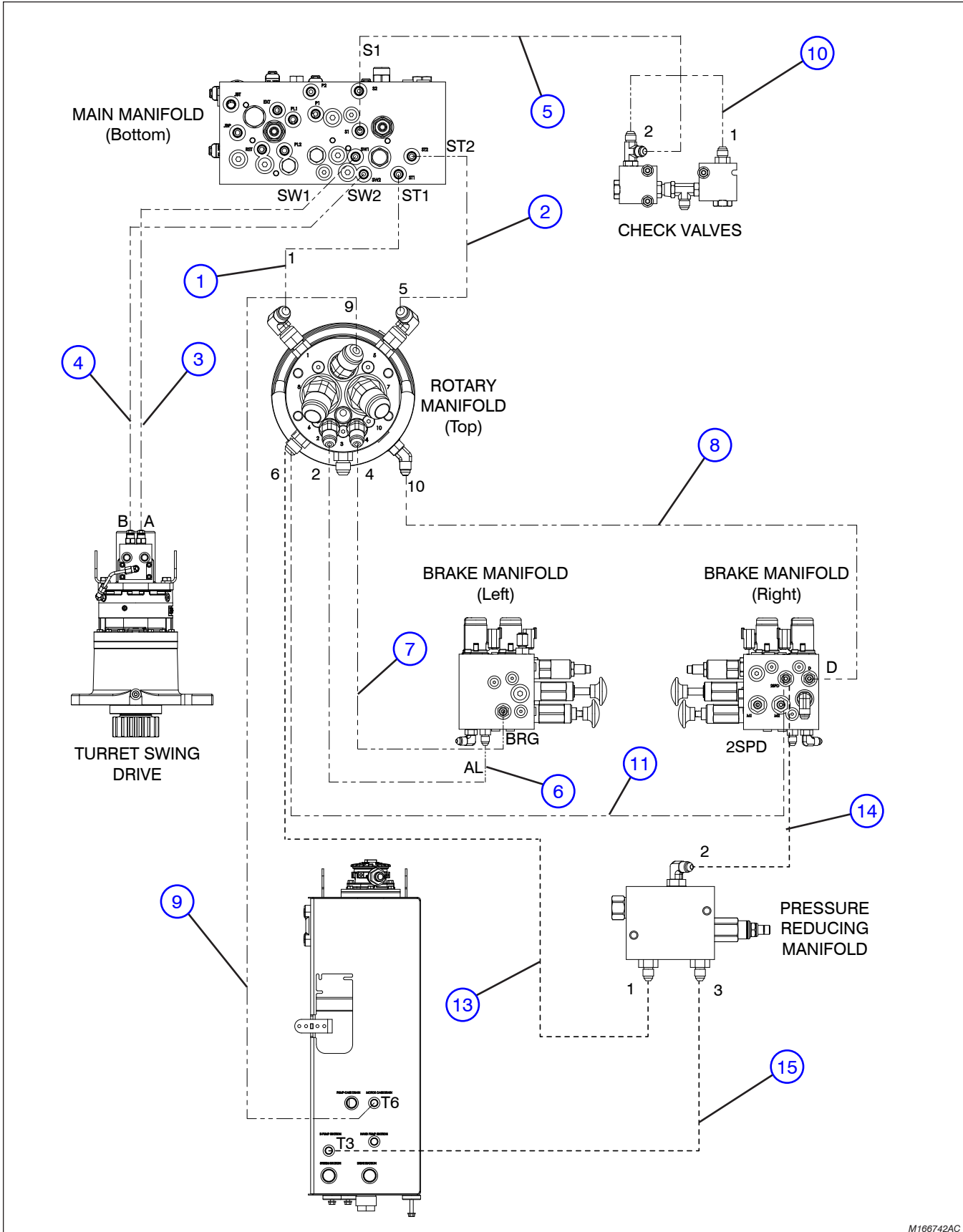
M167647AA_M149106AG_M149103AF

8.2 Hydraulic Hose Connection - Boom

Index No.	Hose P/N	From		To		
		Description	Port	Port	Description	
-	167647	JIB HOSE KIT				
1	H3104 0031 0	Bulkhead 2 (Rotary Actuator)	L	1A	Jib Manifold	
2	H3104 0031 0	Bulkhead 2 (Rotary Actuator)	R	2A	Jib Manifold	
3	H3104 0018 0	Jib Manifold	1B	R	Jib Cylinder	
4	H3104 0018 0	Jib Manifold	2B	E	Jib Cylinder	
5	H3404 0013 0	Rotary Actuator	P1	R	Bulkhead (Rotary Actuator)	
6	H3404 0013 0	Rotary Actuator	P2	L	Bulkhead (Rotary Actuator)	
-	169596	E-CHAIN HOSE KIT (SJ46AJ)				
-	169569	E-CHAIN HOSE KIT (SJ51AJ)				
7	H3104 0219 0	Master Cylinder (SJ46AJ)	E	-	Bulkhead 1 (Fly Boom)	
	H3104 0283 0	Master Cylinder (SJ51AJ)	E	-	Bulkhead 1 (Fly Boom)	
8	H3104 0230 0	Master Cylinder (SJ46AJ)	R	-	Bulkhead 1 (Fly Boom)	
	H3104 0298 0	Master Cylinder (SJ51AJ)	R	-	Bulkhead 1 (Fly Boom)	
9	H3104 0267 0	Jib Manifold (SJ46AJ)	3B	-	Union	
	H3104 0324 0	Jib Manifold (SJ51AJ)	3B	-	Union	
10	H3104 0267 0	Jib Manifold (SJ46AJ)	4A	-	Union	
	H3104 0324 0	Jib Manifold (SJ51AJ)	4A	-	Union	
11	H3104 0028 2	Slave Cylinder	E	-	Bulkhead 1 (Fly Boom)	
12	H3104 0028 2	Slave Cylinder	R	-	Bulkhead 1 (Fly Boom)	
-	149103	RISER HOSE KIT				
13	H3104 0380 0	Main Manifold	PL1	E	Master Cylinder	
14	H3104 0360 0	Main Manifold	PL2	R	Master Cylinder	
15	H3104 0380 0	Main Manifold	P1	E	Boom Lift Cylinder	
16	H3104 0374 0	Main Manifold	P2	R	Boom Lift Cylinder	
17	H3104 0392 0	Main Manifold	JBP	-	Union	
18	H3104 0392 0	Main Manifold	JBT	-	Union	
19	H3206 0144 0	Check Valve	CV2	E	Riser Cylinder - RH	
20	H3104 0144 0	Main Manifold	S2	R	Riser Cylinder - LH	
21	H3106 0031 0	Riser Cylinder LH - Return	R	R	Riser Cylinder RH - Return	
22	H3106 0031 0	Riser Cylinder LH - Return	E	E	Riser Cylinder RH - Return	
23	H3106 0346 0	Main Manifold	RET	R	Extension Cylinder	
24	H3106 0346 0	Main Manifold	EXT	E	Extension Cylinder	
Index No.	Skyjack Part No.	Qty.	Description			
25	134835	2	FITTING, Straight (04 JICM - 04 JICM) (component of Riser Hose Kit)			
26	131732	48"	SLEEVE, Nylon hose protection (componen of E-Chain Hose Kit)			

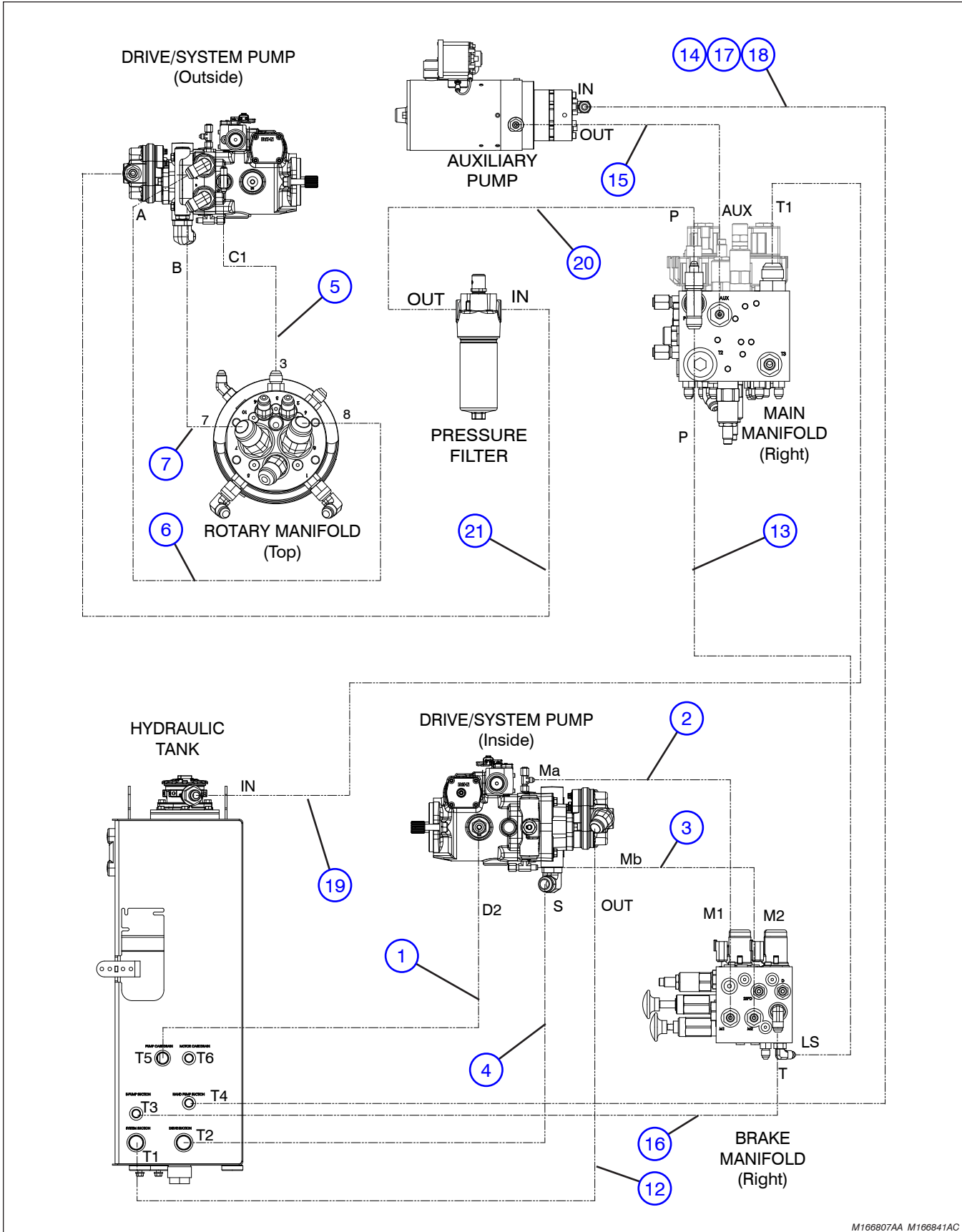
8.3 Hydraulic Hose Connection - Manifolds & Swing Drive (S/N 95 002 084 & below)

AE



M166742AC

Index No.	Hose P/N	From		To	
		Description	Port	Port	Description
-	166742	TURRET HOSE KIT - serial number 95 001 717 to 95 002 084			
1	H3404 0039 0	Main Manifold	ST1	1	Rotary Manifold
2	H3404 0041 0	Main Manifold	ST2	5	Rotary Manifold
3	H3404 0054 0	Main Manifold	SW1	A	Swing Drive
4	H3404 0054 0	Main Manifold	SW2	B	Swing Drive
5	H3206 0012 2	Main Manifold	S1	2	Check Valve
6	H3404 0037 0	Brake Manifold	AL	2	Rotary Manifold
7	H3404 0037 0	Brake Manifold	BRG	4	Rotary Manifold
8	H3404 0034 0	Brake Manifold	D	10	Rotary Manifold
9	H3408 0057 0	Rotary Manifold	9	T6	Hydraulic Tank
10	H3106 0016 0	Check Valve Assembly	1	2	Check Valve Assembly
11	H5404 0046 0	Brake Manifold	2SPD	6	Rotary Manifold
12	131732	Nylon Sleeve ("13)			
	Serial number 95 001 716 & below				
13	H3401 0024 0	Pressure Reducing Manifold	1	6	Rotary Manifold
14	H3404 0018 0	Pressure Reducing Manifold	2	2SPD	Brake Manifold
15	H3404 0013 0	Pressure Reducing Manifold	3	T3	Hydraulic Tank



M166807AA_M166841AC

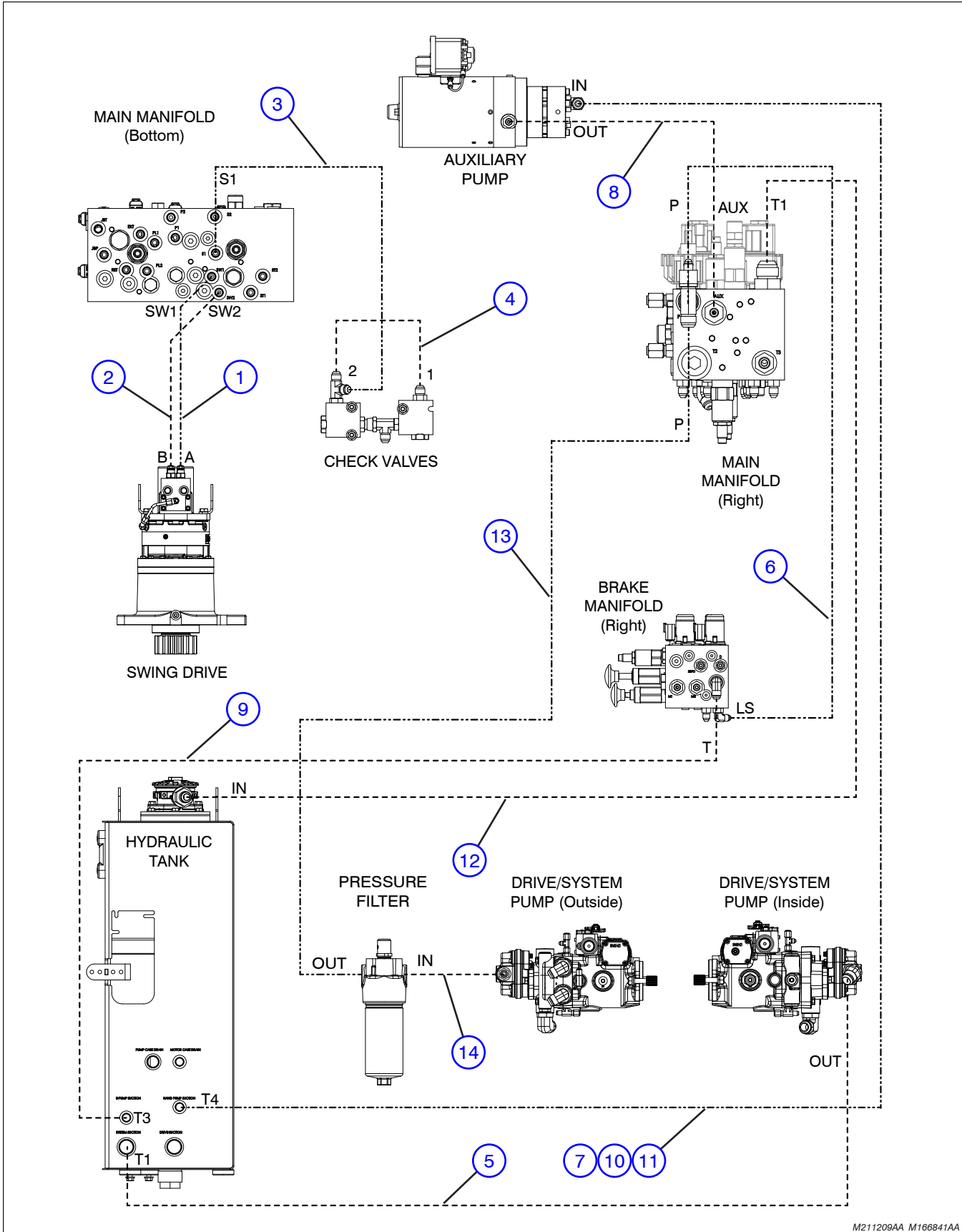
AE

8.4 Hydraulic Hose Connection - Pumps (S/N 95 002 084 & below)

Index No.	Hose P/N	From		To		
		Description	Port	Port	Description	
-	166807	DRIVE PUMP HOSE KIT - serial number 95 002 084 & below				
1	H3712 0062 0	Drive Pump	D2	T5	Hydraulic Tank (P. Case Drain)	
2	H4004 0080 0	Drive Pump	Ma	M1	Brake Manifold	
3	H4004 0080 0	Drive Pump	Mb	M2	Brake Manifold	
4	H3816 0057 0	Drive Pump	S	T2	Hydraulic Tank (Drive Suction)	
5	H3404 0062 0	Drive Pump	C1	3	Rotary Manifold	
6	H0412 0053 0	Drive Pump	A	8	Rotary Manifold	
7	H0412 0050 0	Drive Pump	B	7	Rotary Manifold	
8	131732	Sleeve, Nylon (24")	-	-		
9	131732	Sleeve, Nylon (19")	-	-		
10	131732	Sleeve, Nylon (13")	-	-		
11	131732	Sleeve, Nylon (24")	-	-		
-	166841	SYSTEM & AUXILIARY PUMP HOSE KIT				
12	H3916 0059 0	System Pump (Suction)	OUT	T1	Hydraulic Tank	
13	H3204 0042 0	Main Manifold	P	LS	Brake Manifold	
14	H1708 0007 0	Hydraulic Tank (H.P. Suction)	T4	IN	Auxiliary Pump	
15	H3404 0034 0	Auxiliary Pump	OUT	AUX	Main Manifold	
16	H5106 0018 0	Brake Manifold	T	T3	Main Manifold	
17	144087	Straight Fitting (08 BARB - 08 JICFS)				
18	144094	Hose Clamp (19-21 Mikalor)				
-	166752	NO OIL COOLER HOSE HOSE				
19	H5112 0030 0	Return Filter	IN	T1	Main Manifold	
20	H5108 0086 0	Pressure Filter	OUT	P	Main Manifold	
21	H5410 0039 0	Pressure Filter	IN	-	System Pump	

8.5 Hydraulic Hose Connection - Turret (S/N 95 002 085 & above)

AE



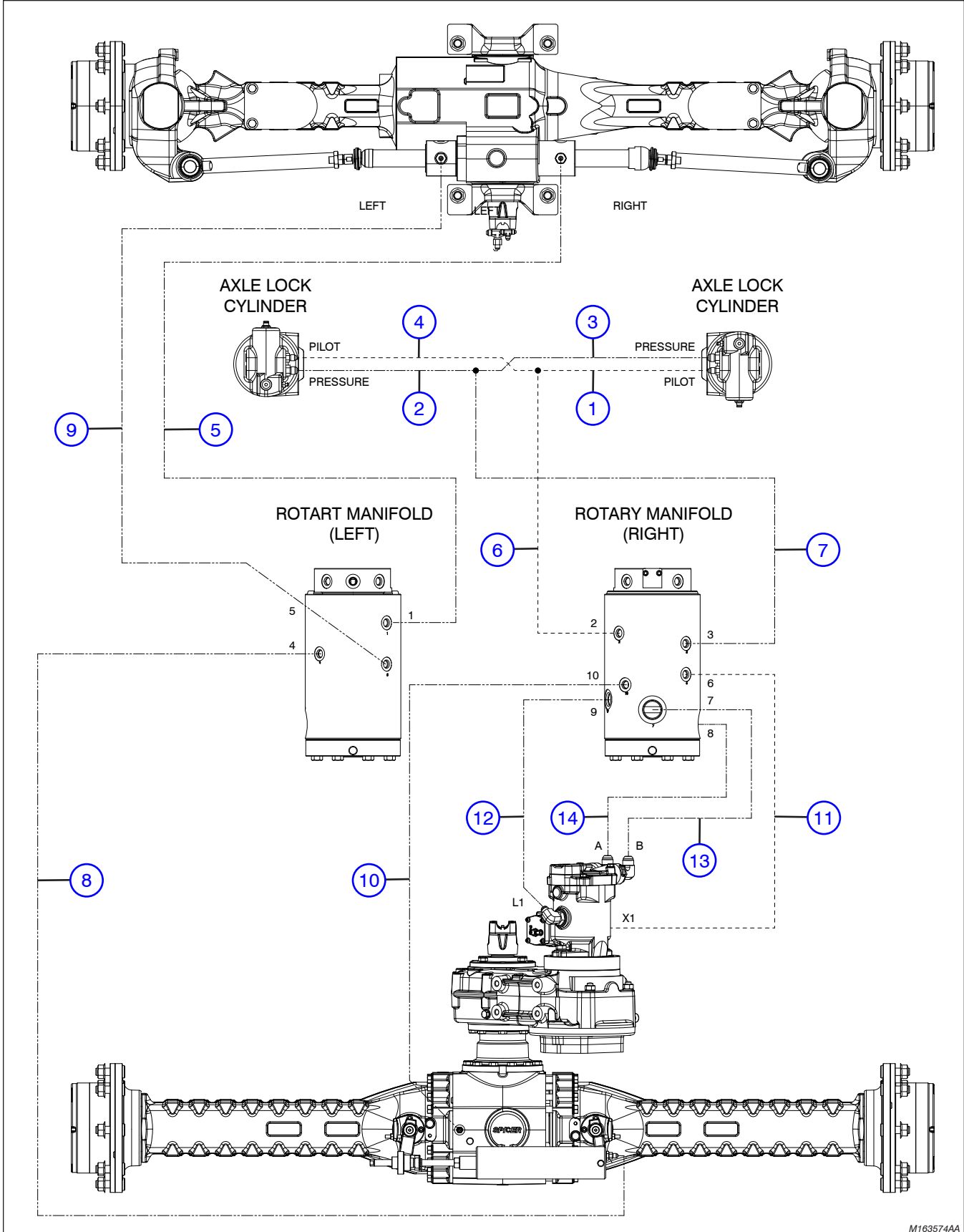
M211209AA_M166841AA

AE

8.5 Hydraulic Hose Connection - Turret (S/N 95 002 085 & above)

Index No.	Hose P/N	From		To	
		Description	Port	Port	Description
-	211209	TURRET HOSE KIT (with hoses from 8.6) - serial number 95 002 085 & above			
1	H3404 0054 0	Main Manifold	SW1	A	Swing Drive
2	H3404 0054 0	Main Manifold	SW2	B	Swing Drive
3	H3206 0012 2	Main Manifold	S1	2	Check Valve
4	H3106 0016 0	Check Valve	1	2	Check Valve
-	166841	SYSTEM & AUXILIARY PUMP HOSE KIT			
5	H3916 0059 0	System Pump (Suction)	OUT	T1	Hydraulic Tank
6	H3204 0042 0	Main Manifold	P	LS	Brake Manifold
7	H1708 0007 0	Hydraulic Tank (H.P. Suction)	T4	IN	Auxiliary Pump
8	H3404 0034 0	Auxiliary Pump	OUT	AUX	Main Manifold
9	H5106 0018 0	Brake Manifold	T	T3	Main Manifold
10	144087	Straight Fitting (08 BARB - 08 JICFS)			
11	144094	Hose Clamp (19-21 Mikalor)			
-	166752	NO OIL COOLER HOSE KIT			
12	H5112 0030 0	Return Filter	IN	T1	Main Manifold
13	H5108 0086 0	Pressure Filter	OUT	P	Main Manifold
14	H5410 0039 0	Pressure Filter	IN	-	System Pump

8.6 Hydraulic Hose Connection - Base (S/N 95 002 084 & below)



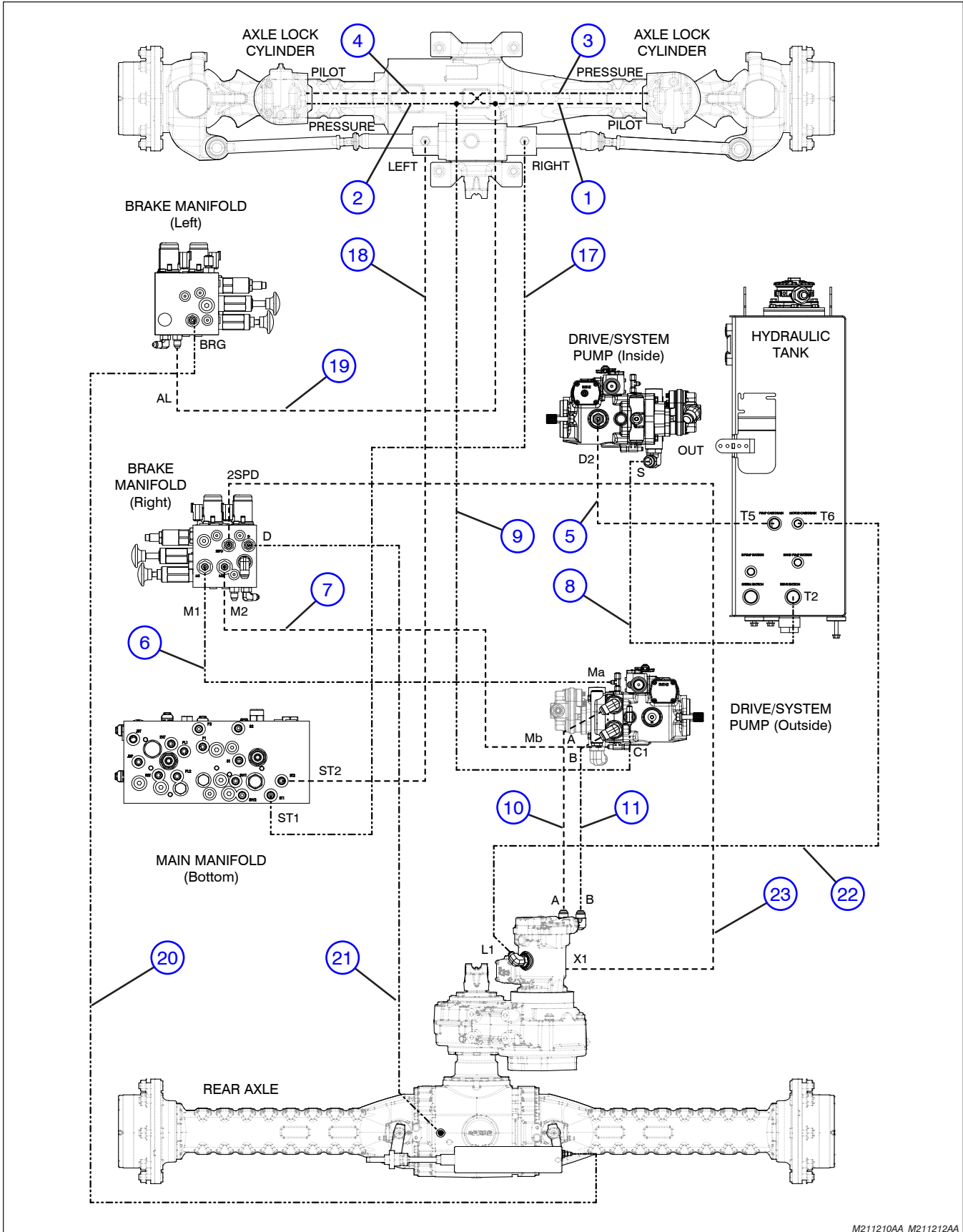
M163574AA

8.6 Hydraulic Hose Connection - Base (S/N 95 002 084 & below)

Index No.	Hose P/N	From		To	
		Description	Port	Port	Description
	163574	CHASSIS HOSE KIT - serial number 95 002 084 & below			
1	H3104 0031 0	Axle Lock - Pilot Right	-	-	Axle Lock - Pilot Tee
2	H3106 0031 0	Axle Lock - Pressure Left	-	-	Axle Lock - Pressure Tee
3	H3106 0031 0	Axle Lock - Pressure Right	-	-	Axle Lock - Pressure Tee
4	H3104 0031 0	Axle Lock - Pilot Left	-	-	Axle Lock - Pilot Tee
5	H3204 0047 0	Rotary Manifold	1	-	Steer Cylinder - Right
6	H3104 0035 0	Rotary Manifold	2	-	Axle Lock - Pilot Tee
7	H3404 0032 2	Rotary Manifold	3	-	Axle Lock - Pressure Tee
8	H3404 0056 2	Rotary Manifold	4	-	Rear Axle - Brake Cylinder
9	H3204 0047 0	Rotary Manifold	5	-	Steer Cylinder - Left
10	H3404 0052 0	Rotary Manifold	10	-	Rear Axle - Differential Lock
11	H3404 0032 2	Rotary Manifold	6	X1	Drive Motor
12	H3108 0022 0	Rotary Manifold	9	L1	Drive Motor
13	H0212 0022 0	Rotary Manifold	7	B	Drive Motor
14	H0212 0027 0	Rotary Manifold	8	A	Drive Motor

8.7 Hydraulic Hose Connection - Base (S/N 95 002 085 & above)

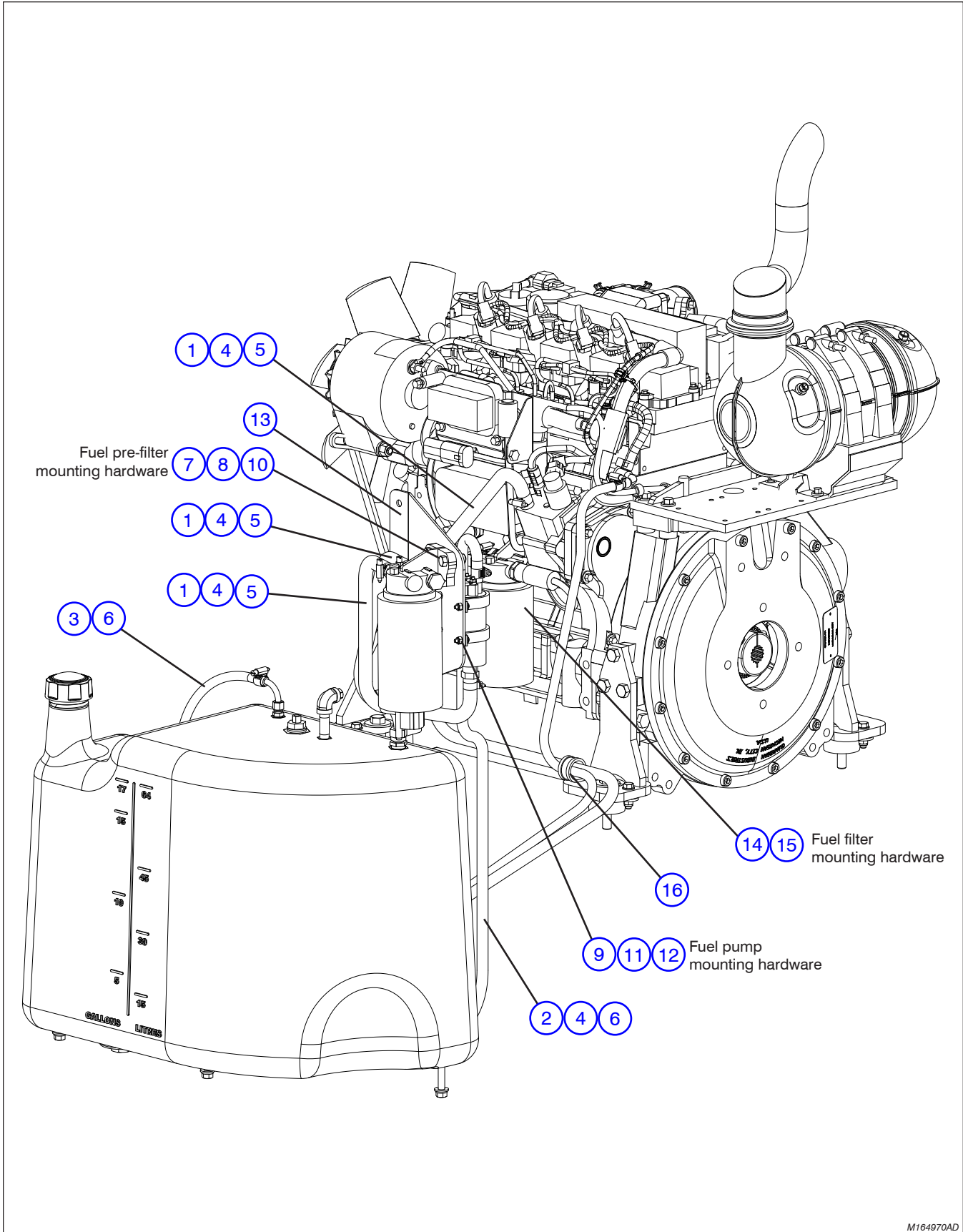
AE



M211210AA_M211212AA

Index No.	Hose P/N	From		To	
		Description	Port	Port	Description
	211212	CHASSIS HOSE KIT - serial number 95 002 085 & above			
1	H3104 0031 0	Axle Lock - Pilot Right	-	-	Axle Lock - Pilot Tee
2	H3106 0031 0	Axle Lock - Pressure Left	-	-	Axle Lock - Pressure Tee
3	H3106 0031 0	Axle Lock - Pressure Right	-	-	Axle Lock - Pressure Tee
4	H3104 0031 0	Axle Lock - Pilot Left	-	-	Axle Lock - Pilot Tee
-	211210	DRIVE PUMP HOSE KIT - serial number 95 002 085 & above			
5	H3712 0062 0	Drive Pump	D2	T5	Hydraulic Tank (P. Case Drain)
6	H4004 0080 0	Drive Pump	Ma	M1	Brake Manifold
7	H4004 0080 0	Drive Pump	Mb	M2	Brake Manifold
8	H3816 0057 0	Drive Pump	S	T2	Hydraulic Tank (Drive Suction)
9	H3104 0122 0	Drive Pump	C1	-	Axle Lock - Pressure Tee
10	H0412 0152 0	Drive Pump	A	A	Drive Motor
11	H0412 0152 0	Drive Pump	B	B	Drive Motor
12	140914	Sleeve, Protective (140")			
13	140914	Sleeve, Protective (140")			
14	131732	Sleeve, Nylon (24")			
15	131732	Sleeve, Nylon (19")			
16	131732	Sleeve, Nylon (13")			
	211209	TURRET HOSE KIT (with hoses from 8.5) - serial number 95 002 085 & above			
17	H3204 0120 0	Steering Cylinder	R	ST1	Main Manifold
18	H3204 0120 0	Steering Cylinder	L	ST2	Main Manifold
19	H3404 0103 0	Axle Lock - Pilot Tee	-	AL	Brake Manifold
20	H3404 0149 0	Rear Axle - Brake	-	BRG	Brake Manifold
21	H3404 0147 0	Rear Axle - Diff Lock	-	D	Brake Manifold
22	H3108 0118 0	Motor	L1	T6	Hydraulic Tank
23	H3404 0111 0	Motor	X1	2SPD	Brake Manifold
24	131732	Sleeve, Nylon (13")			

8.8 Fuel Line Hose Connection - Deutz D2.9L

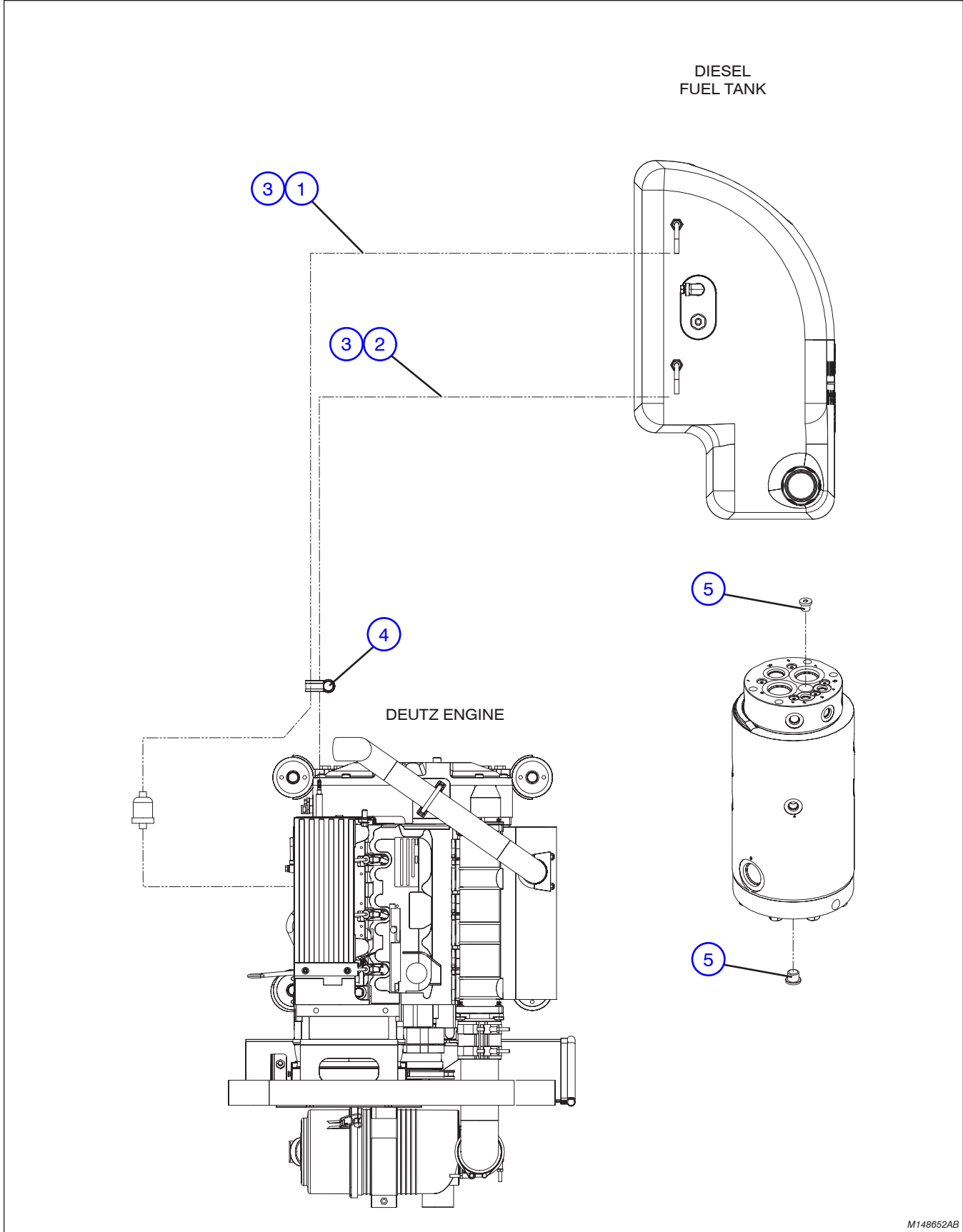


M164970AD

8.8 Fuel Line Hose Connection - Deutz D2.9L

Index No.	Skyjack Part No.	Qty.	Description
A	164970	1	FUEL SYSTEM ASSEMBLY - Deutz D2.9L (S/N 95,000,967 & below)
B	169761	1	FUEL SYSTEM ASSEMBLY - Deutz D2.9L (S/N 95,000,968 & above)
1	163509	48"	• HOSE, Fuel line (1/2" ID), A
		58"	• HOSE, Fuel line (1/2" ID), B
2	166737	113"	• HOSE, Fuel line (3/8" ID)
3	102984	80"	• HOSE, Fuel line (5/16" ID)
4	163521	10	• CLAMP, Gear (#10)
5	163222	3	• FITTING, Fuel hose
6	164977	1	• FITTING, Fuel line (3/8")
7	101297	2	• BOLT, Hex head (3/8" x 1.25", grade 5)
8	103472	2	• WASHER, Flat (3/8"), A
		8	• WASHER, Flat (3/8"), B
9	104694	4	• WASHER, Flat (#10-32), A
		8	• WASHER, Flat (#10-32), B
10	104606	2	• NUT, Lock nylon (3/8"-16, grade 5), A
		4	• NUT, Lock nylon (3/8"-16, grade 5), B
11	300450	4	• NUT, Machine (#10-32)
12	104698	4	• BOLT, Machine (#10-32 x 0.75")
13	164943	1	• BRACKET, Fuel assembly, A
	169678	1	• BRACKET, Fuel prefilter, B
14	115745	2	• BOLT, Metric (M10-1.5 x 30mm), A
	103870	2	• BOLT, Hex head (3/8" x 1.50", grade 5), B
15	130884	2	• WASHER, Lock (M10), A
	600315	2	• WASHER, Flat (M10), B
16	133319	1	• CLAMP, Cushioned loop (#18)

8.9 Fuel Line Hose Connection - Deutz D2011

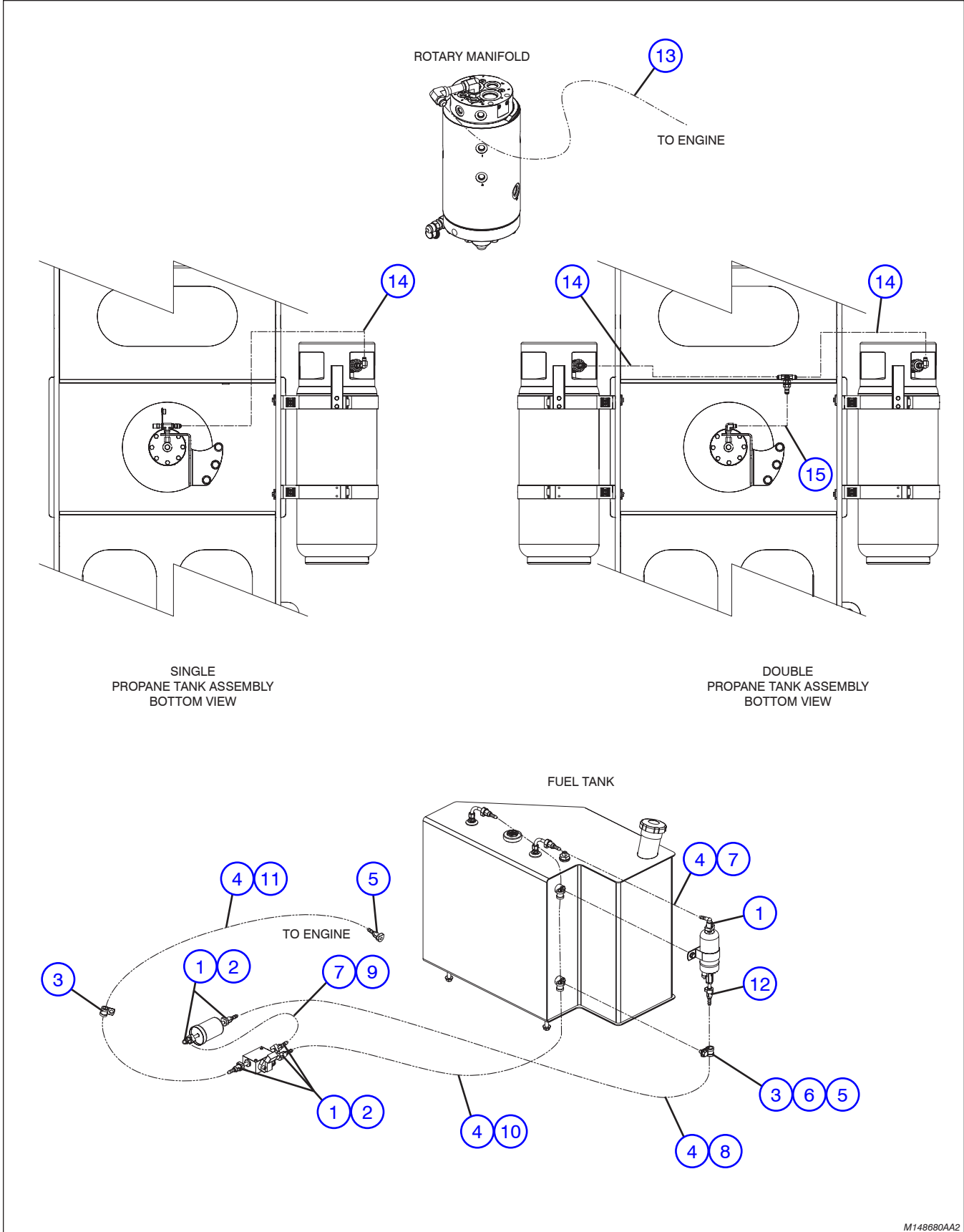


M148652AB

8.9 Fuel Line Hose Connection - Deutz D2011

Index No.	Skyjack Part No.	Qty.	Description
-	148652	-	FUEL LINE ASSEMBLY - Deutz D2011
1	102984	102"	• HOSE, Fuel line (5/16" ID)
2	102984	92"	• HOSE, Fuel line (5/16" ID)
3	103321	3	• CLAMP, Gear (SAE #4, 1/4"-13/16")
4	103078	1	• CLIP, Double
5	139171	2	• PLUG, Hex (06 ORBM)

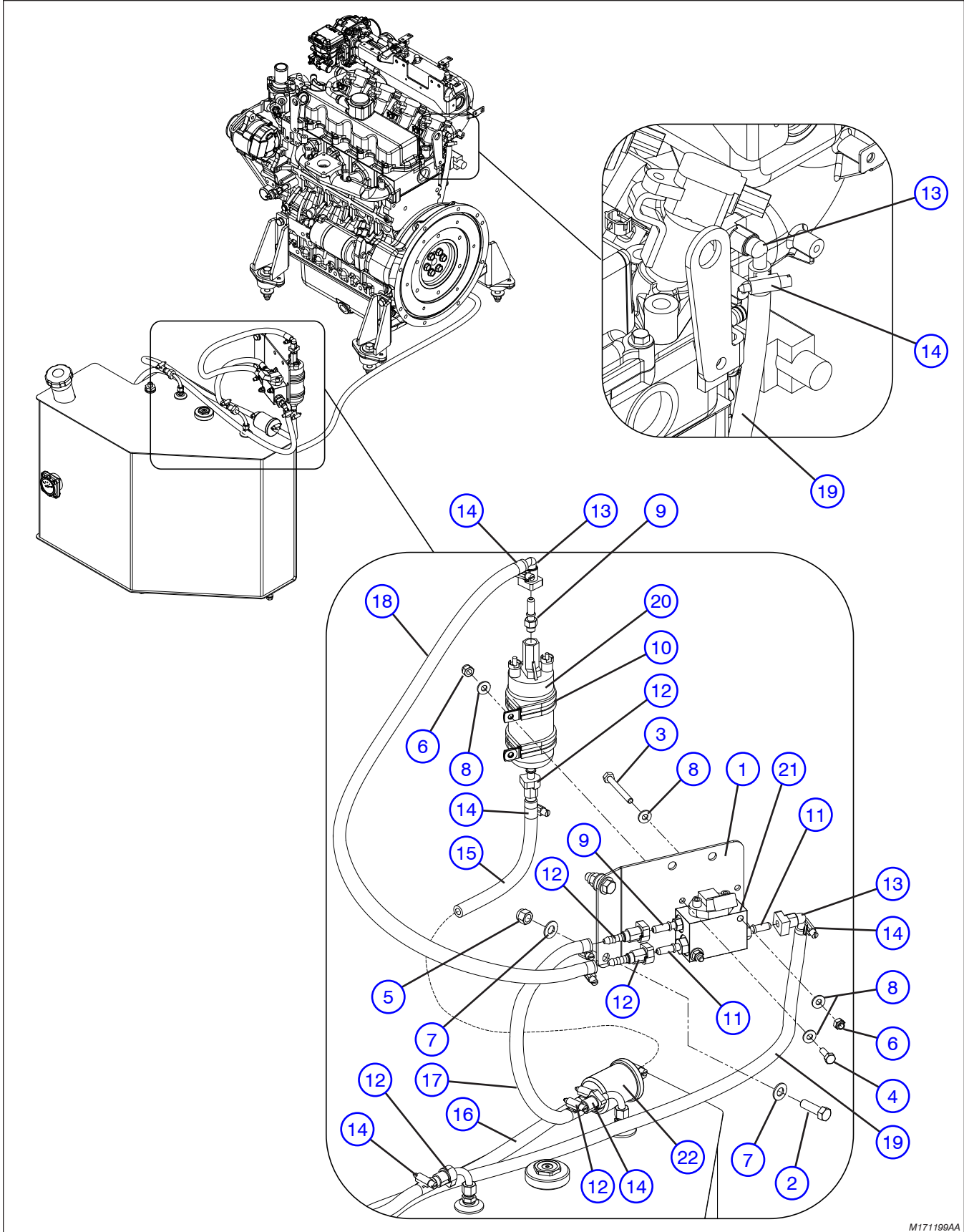
8.10 Fuel Line Hose Connection - GM Dual Fuel Engine



M148680AA2

8.10 Fuel Line Hose Connection - GM Dual Fuel Engine

Index No.	Skyjack Part No.	Qty.	Description
-	167585	-	FUEL LINE ASSEMBLY - GM Dual Fuel
1	142398	2	• QUICK CONNECT, Elbow 90°
2	142397	7	• QUICK CONNECT, Straight
3	149495	4	• CLAMP, Tube (Cushioned)
4	103321	10	• CLAMP, Gear
5	125959	1	• WASHER, Flat hardened (3/8")
6	138464	1	• BOLT, Hex head (3/8"-16 x 5/8" Grade 5)
7	142405	3"	• HOSE, Fuel line (5/16 EP SAE 30R9)
8	142405	71"	• HOSE, Fuel line (5/16 EP SAE 30R9)
9	142405	10"	• HOSE, Fuel line (5/16 EP SAE 30R9)
10	142405	92"	• HOSE, Fuel line (5/16 EP SAE 30R9)
11	142405	38"	• HOSE, Fuel line (5/16 EP SAE 30R9)
12	144369	1	• QUICK CONNECT, Straight
13	144327	1	HOSE, Propane (45 SAE x 103" TYPE III)
14	103098	1	HOSE, Propane (45 SAE x 42" TYPE III) (single propane tank)
	103098	2	HOSE, Propane (45 SAE x 42" TYPE III) (dual propane tanks)
15	152264	1	HOSE, Propane (45 SAE x 30" TYPE III) (dual propane tanks)

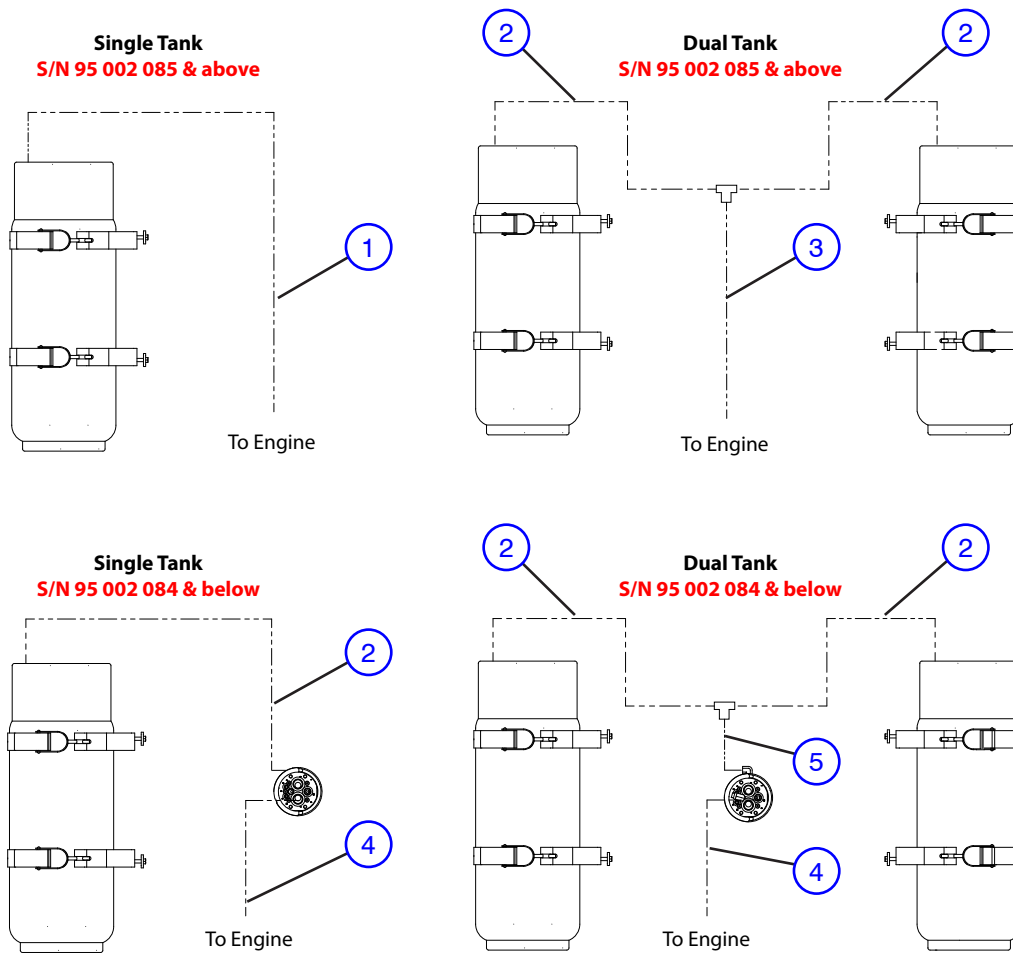


M171199AA

Index No.	Skyjack Part No.	Qty.	Description
-	171199	-	FUEL LINE ASSEMBLY - Kubota WG2503 Dual Fuel
1	169678	1	• BRACKET, Fuel prefilter
2	101297	2	• BOLT, Hex head (0.375"-16 x 1.25" Grade 5)
3	103862	2	• BOLT, Hex head (0.25"-20 x 2.25" Grade 5)
4	104606	1	• BOLT, Hex head (0.25"-20 x 0.75" Grade 5)
5	104606	2	• NUT, Hex head nylon lock (0.375"-16 gr 5)
6	115649	3	• NUT, Hex head nylon lock (0.25"-20 gr 5)
7	103472	4	• WASHER, Flat (0.375")
8	103995	6	• WASHER, Flat (0.25")
9	170571	2	• QUICK CONNECT, Stem (8mm tube, SAE #3)
10	124433	2	• CLAMP, Loop cushioned (2" dia)
11	170572	2	• QUICK CONNECT, Stem (8mm tube, SAE #6)
12	142397	5	• QUICK CONNECT, Straight
13	142398	3	• QUICK CONNECT, 90° elbow
14	103321	10	• CLAMP, Gear
15	142405	8"	• HOSE, Fuel line (5/16 EP SAE 30R9)
16	142405	22"	• HOSE, Fuel line (5/16 EP SAE 30R9)
17	142405	14"	• HOSE, Fuel line (5/16 EP SAE 30R9)
18	142405	24"	• HOSE, Fuel line (5/16 EP SAE 30R9)
19	142405	64"	• HOSE, Fuel line (5/16 EP SAE 30R9)
20	164881	1	PUMP, Fuel
21	164883	1	MANIFOLD, Fuel pressure
22	136118	1	FILTER, Fuel

8.12 Propane Line Hose Connection - Kubota WG2503 Dual Fuel Engine

AE



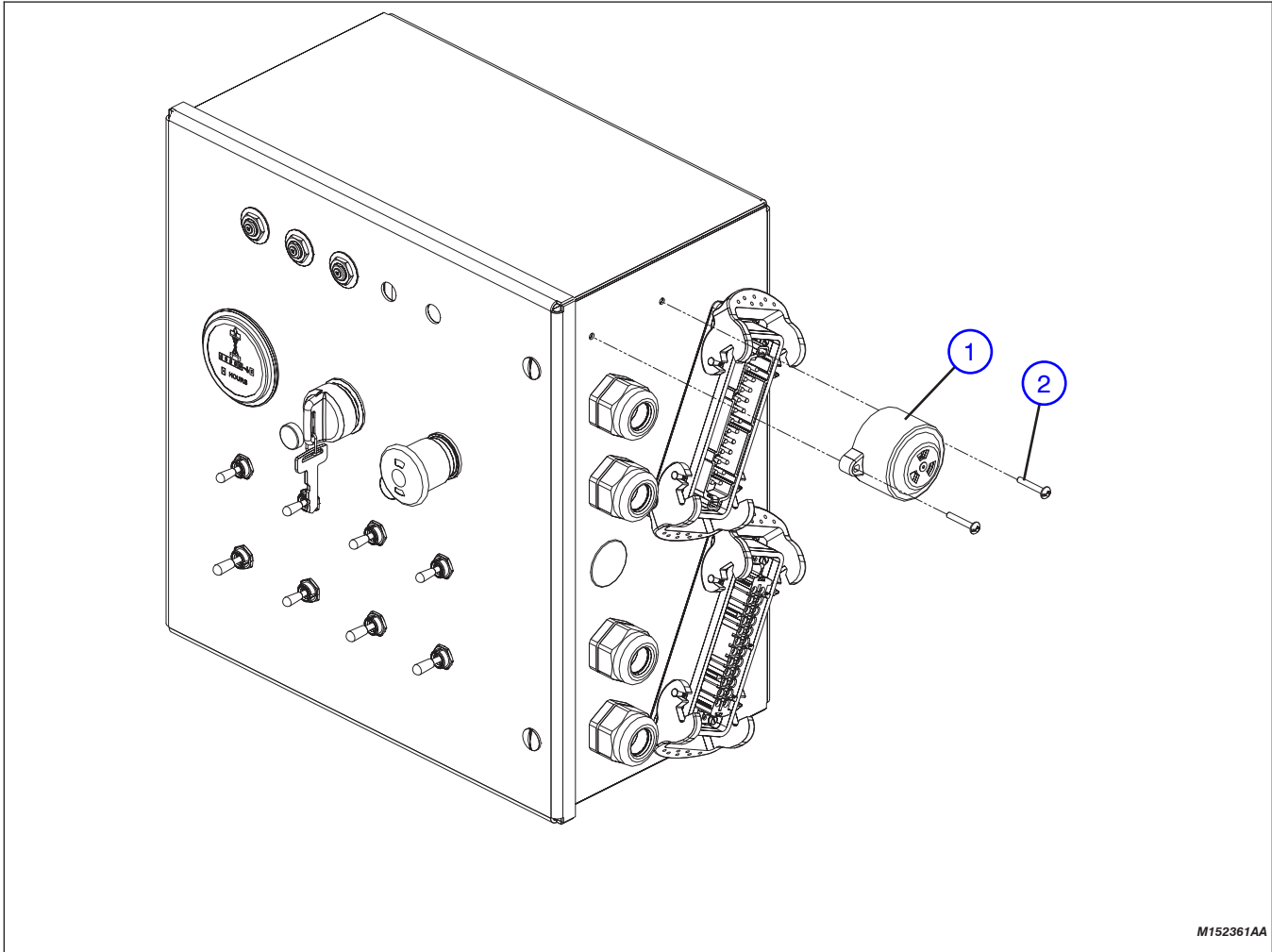
M211431AA_M211433AA

Index No.	Skyjack Part No.	Qty.	Description
1	211434	1	HOSE, Propane (156")
2	103098	1	HOSE, Propane (42")
3	211429	1	HOSE, Propane (135")
4	144327	1	HOSE, Propane (103")
5	152264	1	HOSE, Propane (30")

9.0 OPTIONAL EQUIPMENT

- | | |
|---|---|
| 9.1 <i>All Motion Alarm Assembly</i> | 9.20 <i>Generator & Oil Cooler Assembly - 12kW</i> |
| 9.2 <i>Air Hose to Platform Option</i> | 9.21 <i>Generator & Oil Cooler - 12kW</i> |
| 9.3 <i>Flashing Amber Light Option</i> | 9.22 <i>Circuit Breaker Assembly - 12kW Generator</i> |
| 9.4 <i>External Platform Railing Assembly</i> | 9.23 <i>Generator Wiring - 12kW</i> |
| 9.5 <i>Diesel Scrubber Option</i> | 9.24 <i>Hydraulic Hose Connections - 12kW Generator & Oil Cooler</i> |
| 9.6 <i>Cold Start Option</i> | 9.25 <i>Welder Option</i> |
| 9.7 <i>Arctic Package Option</i> | 9.26 <i>Glazier Package Assembly</i> |
| 9.8 <i>Load Circuit Manifold (Cold Start & Arctic - D2.9L)</i> | 9.27 <i>SGM Assembly</i> |
| 9.9 <i>Hydraulic Hose Connections - Load Circuit (Cold Start & Arctic - D2.9L)</i> | 9.28 <i>SGE Assembly</i> |
| 9.10 <i>Oil Cooler Assembly (No Generator) - 46AJ</i> | 9.29 <i>Platform Control Box Cover</i> |
| 9.11 <i>Oil Cooler Assembly (No Generator) - 51AJ</i> | 9.30 <i>Positive Air Shutoff Valve - Deutz D2.9L</i> |
| 9.12 <i>Hydraulic Hose Connection - Oil Cooler (No Generator)</i> | 9.31 <i>Positive Air Shutoff Valve - Deutz D2011</i> |
| 9.13 <i>Oil Cooler Wiring</i> | 9.32 <i>Pipe Rack</i> |
| 9.14 <i>Generator & Oil Cooler - 3.5kW (46AJ)</i> | 9.33 <i>Oil Quick Drain</i> |
| 9.15 <i>Generator & Oil Cooler - 3.5kW (51AJ)</i> | 9.34 <i>Telematics - Morey</i> |
| 9.16 <i>Hydraulic Hose Connection - 3.5kW Generator</i> | 9.35 <i>Telematics - ZTR</i> |
| 9.17 <i>Generator Wiring - 3.5kW</i> | 9.36 <i>Work Lights</i> |
| 9.18 <i>Generator- 3.5 kW</i> | 9.37 <i>Tool Caddy</i> |
| 9.19 <i>Generator- 12 kW</i> | 9.38 <i>Residual Current Device (RCD)</i> |

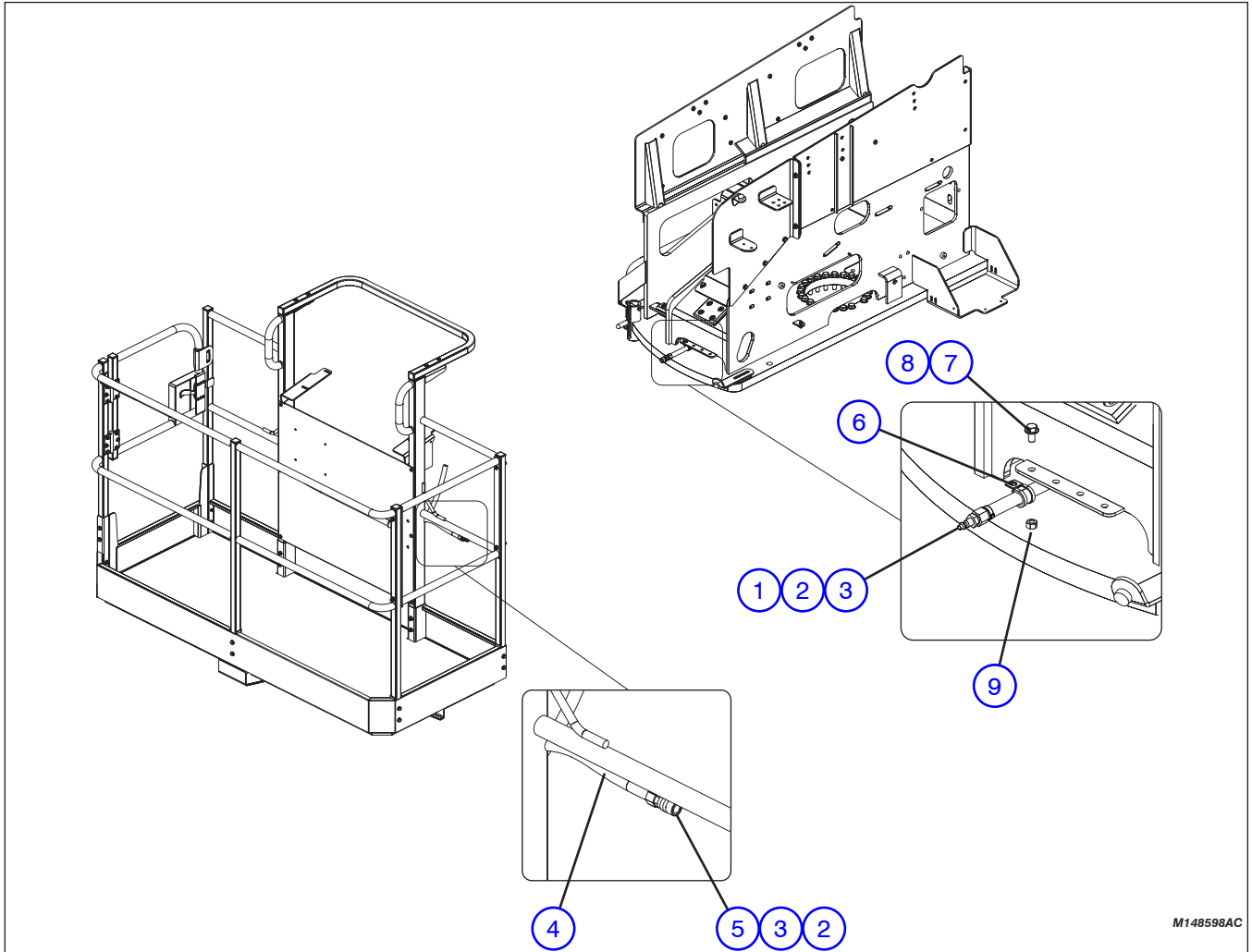
9.1 All Motion Alarm Assembly



M152361AA

Index No.	Skyjack Part No.	Qty.	Description
-	152360	-	ALL MOTION ALARM ASSEMBLY (CE & AS)
1	152362	1	<ul style="list-style-type: none"> • ALARM, All motion (with lead wire extensions)
2	112248	2	<ul style="list-style-type: none"> • SCREW, Round head machine (#8-32 x 1")

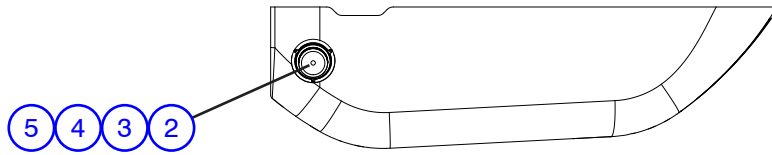
9.2 Air Hose To Platform Option



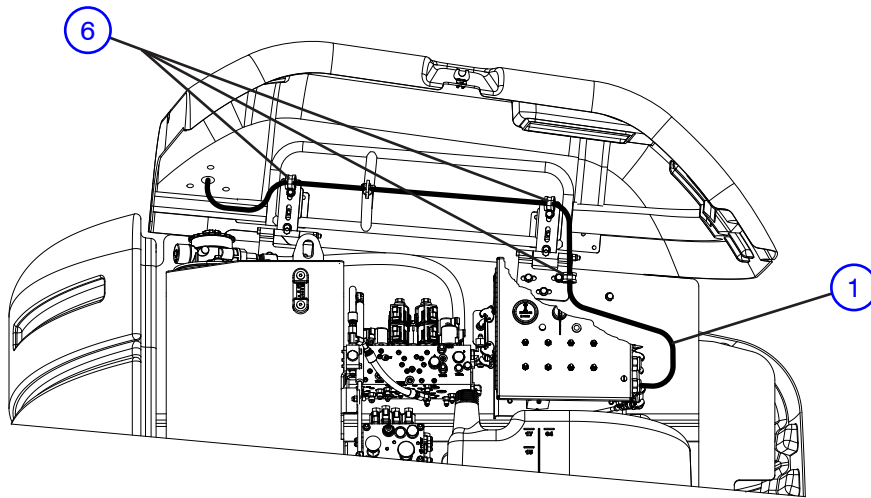
M148598AC

Index No.	Skyjack Part No.	Qty.	Description
A	148598	-	AIR HOSE TO PLATFORM (SJ 46AJ)
B	148599	-	AIR HOSE TO PLATFORM (SJ 51AJ)
1	107883	1	• FITTING, Male disconnect (16.1262)
2	109050	2	• FITTING, Hose barb (Brass)
3	107886	2	• CLAMP
4	107884	734"	• HOSE, Air (1/2" diameter), A
		818"	• HOSE, Air (1/2" diameter), B
5	107882	1	• FITTING, Female disconnect (#B22E)
6	152402	1	• CLAMP, Tube
7	101632	1	• BOLT, Hex head (3/8"-16 x 3/4 Grade 5)
8	103472	1	• WASHER, Flat (3/8")
9	103978	1	• NUT, Hex head (3/8"-16 Grade 5)

9.3 Flashing Amber Light Option



TOP VIEW OF COWLING

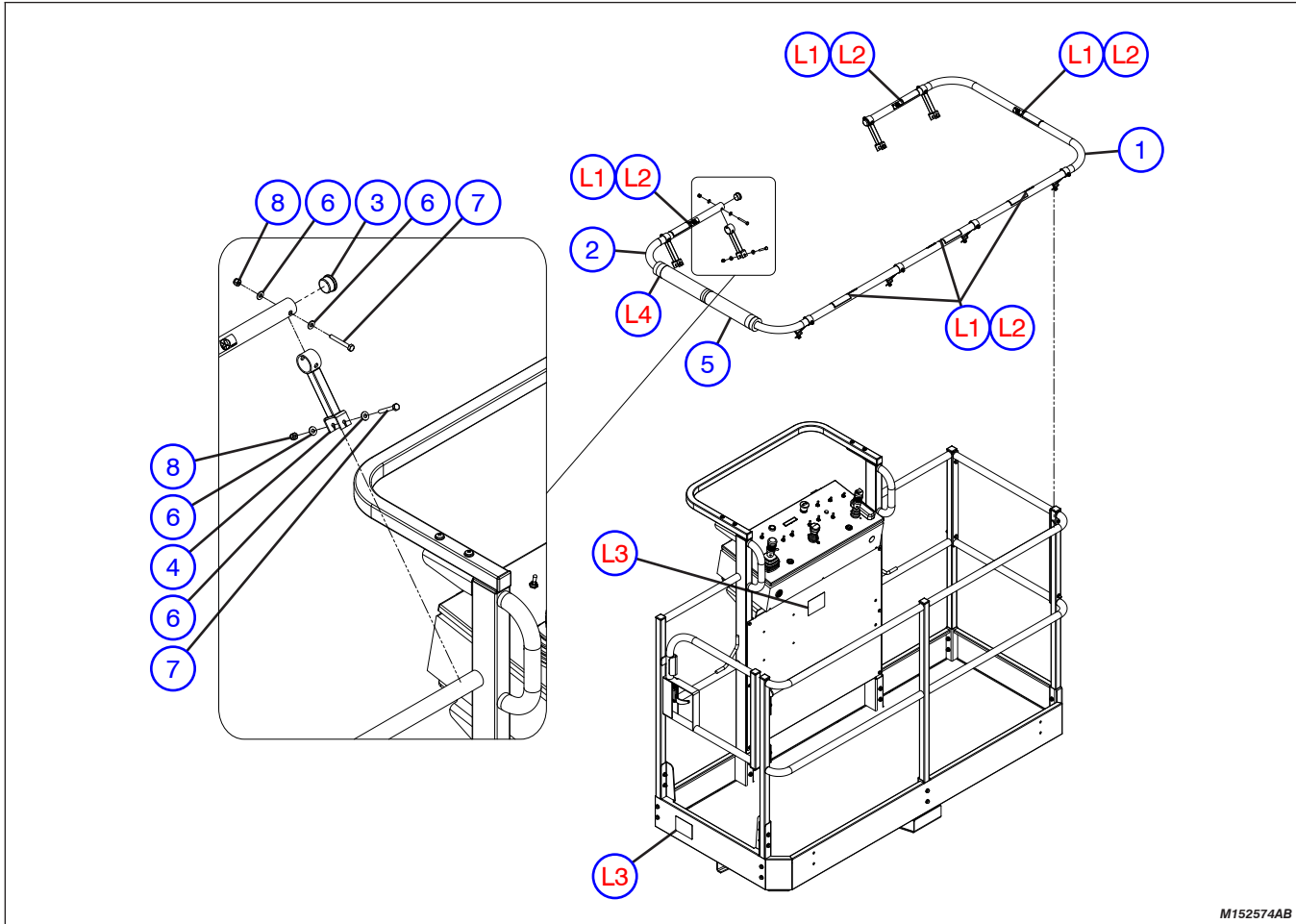


CONTROL COMPARTMENT

M148528AA

Index No.	Skyjack Part No.	Qty.	Description
-	148528	-	FLASHING AMBER LIGHT OPTION
1	152585	1	• HARNESS, Flash amber light
	117591	2	• • CONNECTOR, Contact socket (16/18 GA)
	117599	1	• • CONNECTOR, Wedge (2 pin)
	117597	1	• • CONNECTOR (2 pin)
2	144078	1	• FLASHING AMBER LIGHT ASSEMBLY
	143971	1	• • STROBE LIGHT, Amber (12/24 VDC)
	144215	1	• • • FLASH TUBE
	117596	1	• • CONNECTOR, Receptacle (2 pin)
	117590	2	• • CONNECTOR, Contact pin (16/18 GA)
	117598	1	• • WEDGE, Receptacle (2 pin)
	124399	4"	• • SPLIT LOOM (1/4")
3	122498	3	• SCREW, Round head machine (#10-32 x 1 1/4")
4	300450	3	• LOCKNUT, Hex (#10-32 UNF, nylon insulated)
5	104694	3	• WASHER, Flat (#10 SAE)
6	102972	3	• CLIP, Double (G8)

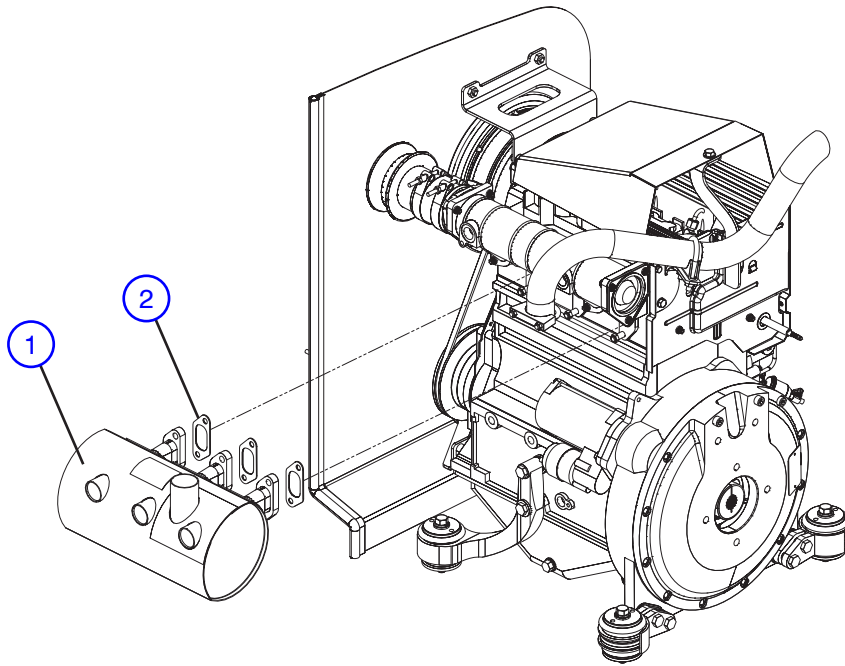
9.4 External Platform Railing Assembly



M152574AB

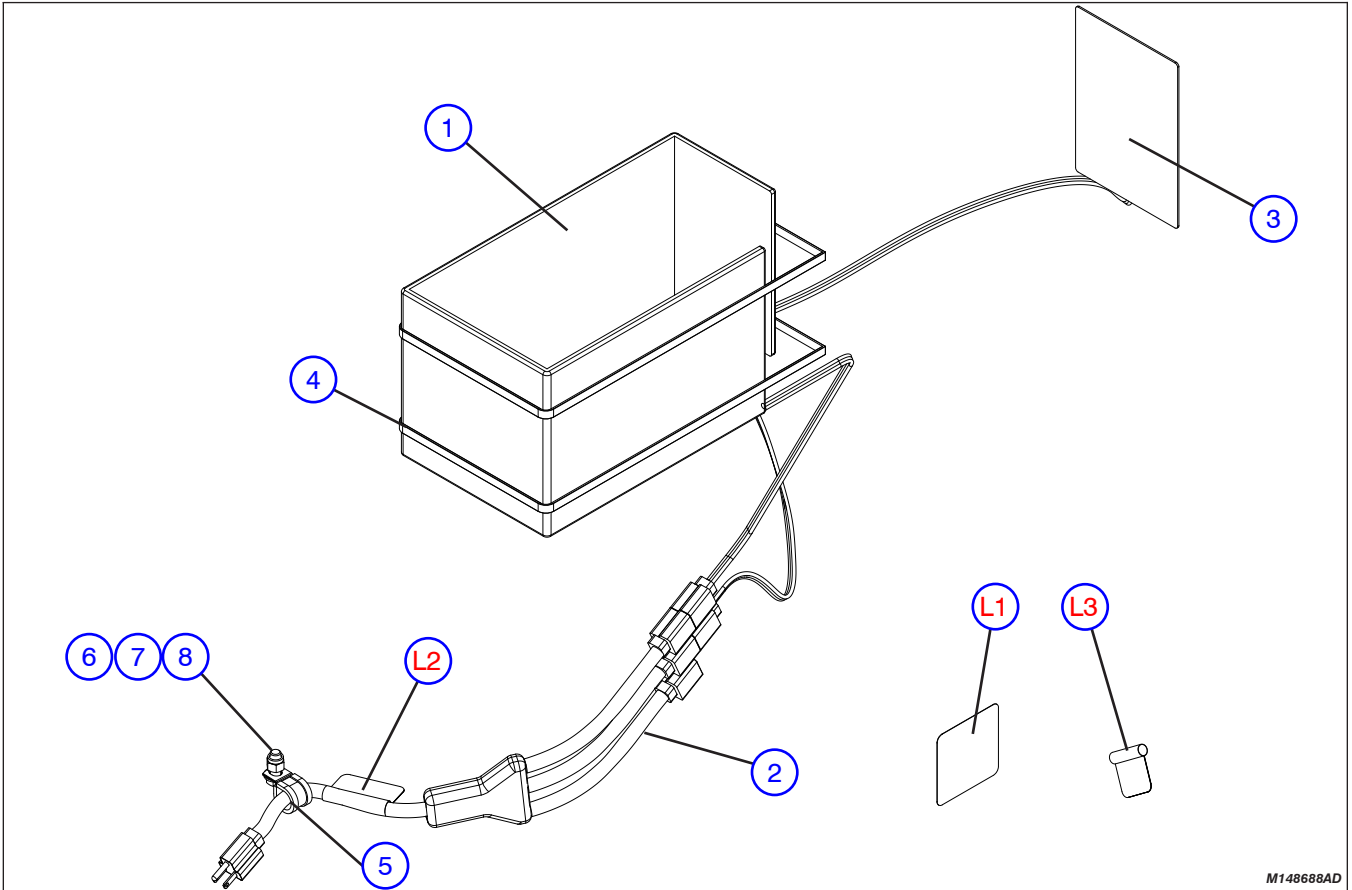
Index No.	Skyjack Part No.	Qty.	Description
-	152574	-	EXTERNAL PLATFORM RAILING ASSEMBLY (72" x 30")
1	152573	1	• TUBE, External railing (Right)
2	152572	1	• TUBE, External railing (Left)
3	144048	2	• PLUG, Round end
4	144747	8	• WELDMENT, External railing stand-off
5	104183	2'	• PAD, Entry railing
6	103995	32	• WASHER, Flat (1/4")
7	103861	16	• BOLT, Hex head (1/4"-20 x 2" Grade 5)
8	115649	16	• NUT, Hex lock (1/4"-20 Grade 5, nylon)
L1	115543	6	• LABEL, Warning no step
L2	137988	6	• LABEL, Hazard crush/pinch point
L3	144722	2	• LABEL, Capacity (475 lb/2 person)
L4	119803	22.5"	• LABEL, Caution tape

9.5 Diesel Scrubber Option



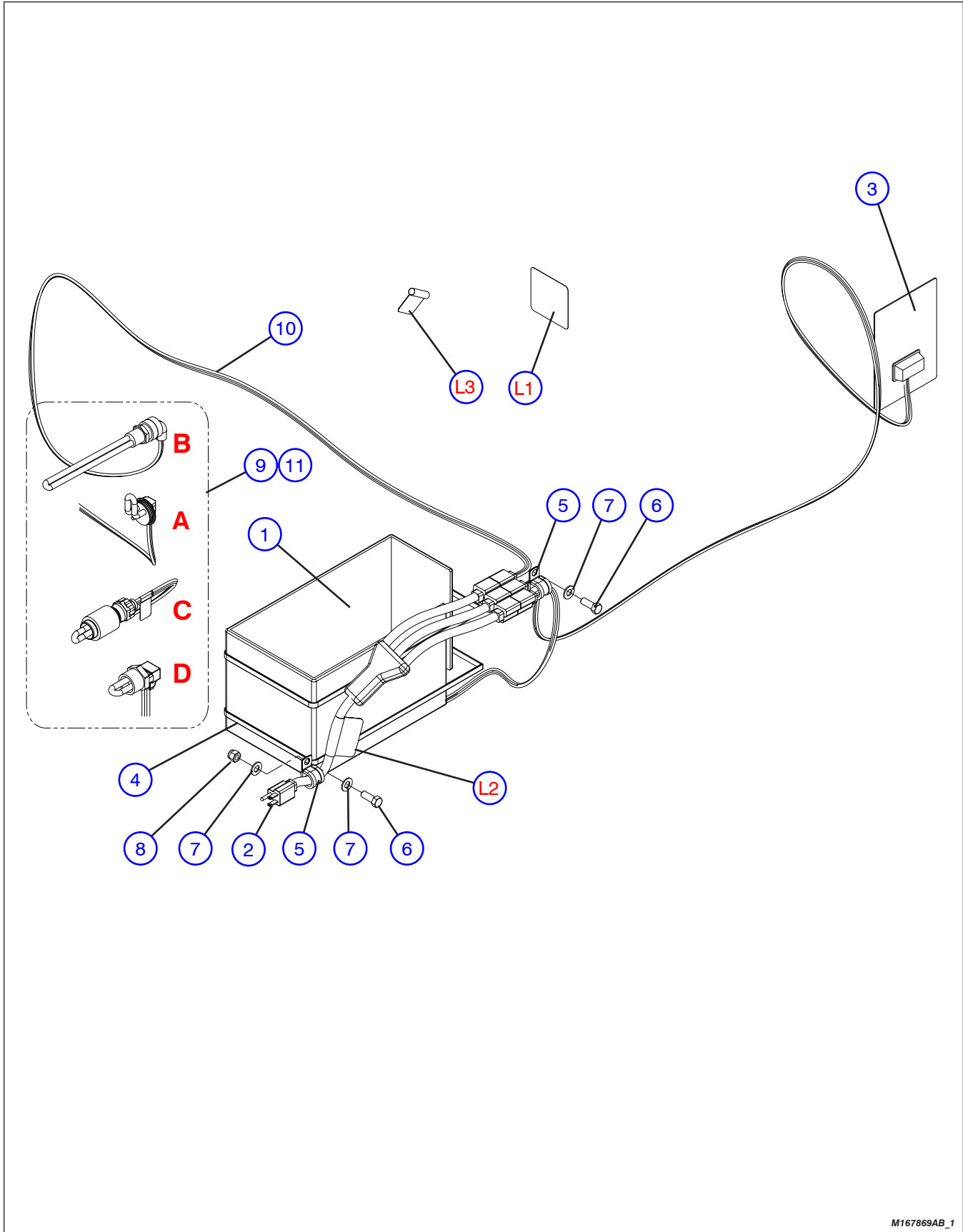
M144297AA

Index No.	Skyjack Part No.	Qty.	Description
-	149115	-	DIESEL SCRUBBER (Deutz D2011)
1	152603	1	• MUFFLER, Catalytic
2	144299	3	• GASKET



M148688AD

Index No.	Skyjack Part No.	Qty.	Description
A	167856	-	COLD START OPTION (ANSI/CSA - GM)
B	167859	-	COLD START OPTION (ANSI/CSA - Deutz D2.9)
C	167853	-	COLD START OPTION (CE & AS - Deutz D2011)
D	171127	-	COLD START OPTION (ANSI/CSA - Kubota)
1	703290	1	• BLANKET, Battery
2	159888	1	• CORD, "W"
3	164762	1	• HEATER, Pad - 500W
4	144727	2	• TIEWRAP, Cable (43.3")
5	152402	2	• CLAMP, Tube (Cushioned)
6	103473	2	• BOLT, Hex head (3/8"-16 x 1.00, grade 5)
7	103472	3	• WASHER, Flat, 3/8"
8	104606	1	• NUT, Hex head nylon lock (3/8"-16, grade 5)
9	(Ref.)	-	• OIL (For components, refer to Section 11.1)
10	(Ref.)	-	• COOLANT, Antifreeze (For components, refer to Section 11.1)
11	(Ref.)	1	• LOAD CIRCUIT ASSEMBLY (not shown), B (For components, refer to Section 9.8)
L1	143593	1	• LABEL, Shell Telus T46 (located on hydraulic tank)
L2	146021	1	• LABEL, Hydraulic oil/battery warmer (located on W cord)
L3	146162	1	• LABEL, Cold weather factory oil (located on dipstick), B, C

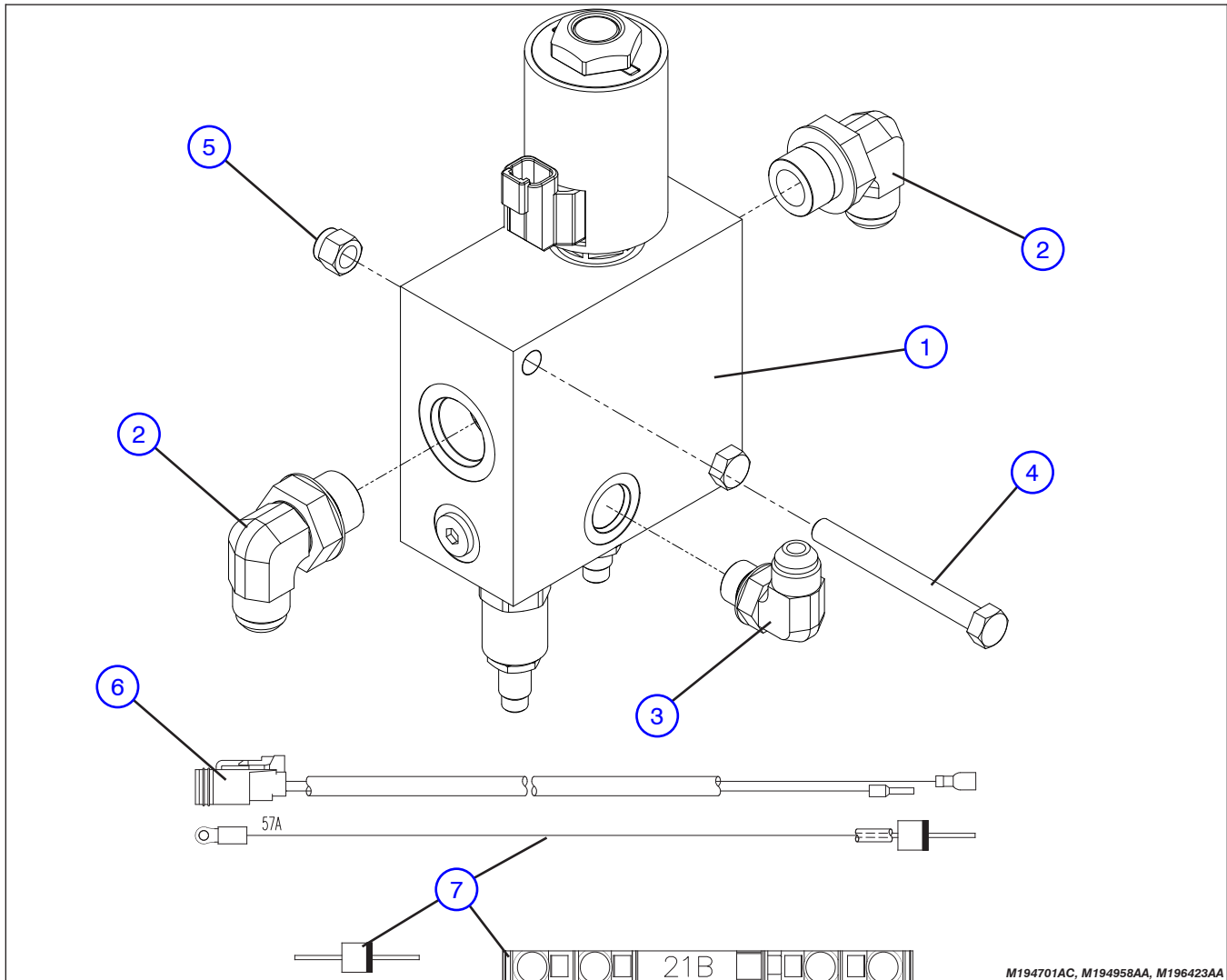


M167869AB_1

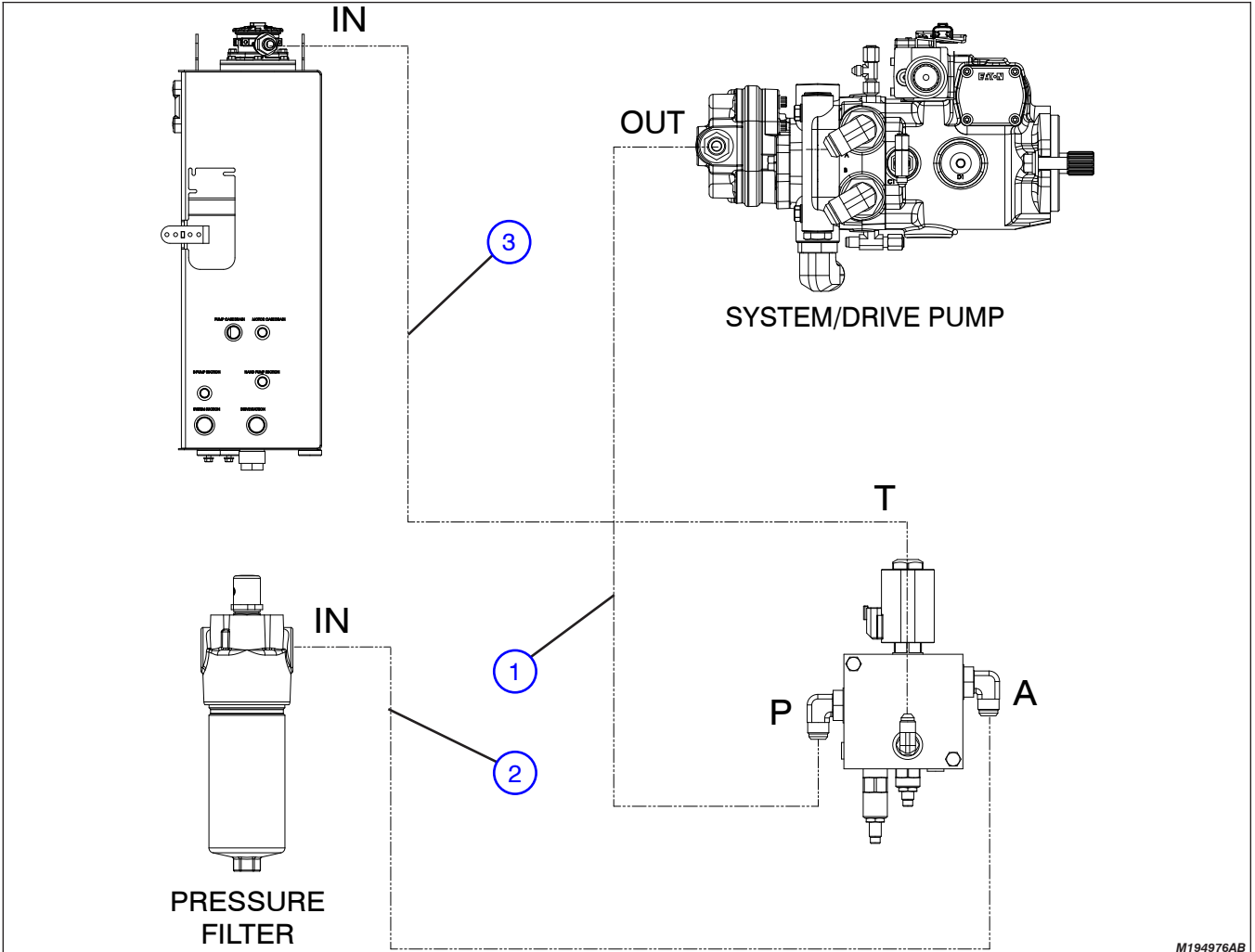
Index No.	Skyjack Part No.	Qty.	Description
A	167857	-	ARCTIC PACKAGE OPTION (ANSI/CSA - GM)
B	167854	-	ARCTIC PACKAGE OPTION (ANSI/CSA - Deutz D2011)
C	167860	-	ARCTIC PACKAGE OPTION (ANSI/CSA - Deutz D2.9L)
D	171132	-	ARCTIC PACKAGE OPTION (ANSI/CSA - Kubota WG2503)
1	703290	1	• BLANKET, Battery
2	159888	1	• CORD, "W"
3	164762	1	• HEATER, Pad - 500W
4	144727	2	• TIEWRAP, Cable (43.3")
5	152402	2	• CLAMP, Tube (Cushioned)
6	103473	2	• BOLT, Hex head (3/8"-16 x 1.00, grade 5)
7	103472	3	• WASHER, Flat, 3/8"
8	104606	1	• NUT, Hex head nylon lock (3/8"-16, grade 5)
9	144671	1	• HEATER, Block, A
	144642	1	• HEATER, Oil pan, B
	165559	1	• HEATER, Block, C
	170072	1	• HEATER, Block, D
10	166299	1	• CORD, Oil pan heater, B
11	170073	1	• ADAPTER, Block heater, D
12	(Ref.)	-	• OIL (For components, refer to Section 11.1)
13	(Ref.)	-	• COOLANT, Antifreeze (For components, refer to Section 11.1)
14	(Ref.)	1	• LOAD CIRCUIT MANIFOLD (not shown), C (For components, refer to Section 9.8)
15	(Ref.)	1	• LOAD CIRCUIT HOSE KIT (not shown), C (For components, refer to Section 9.9)
L1	144632	1	• LABEL, Hydraulic oil heater/battery warmer (Located on W-Cord)
L2	144633	1	• LABEL, Arctic hydraulic oil (Located on hydraulic tank)
L3	144635	1	• LABEL, Arctic engine oil (Located on oil dipstick), B, C

9.8 Load Circuit Manifold - Deutz D2.9L

AD



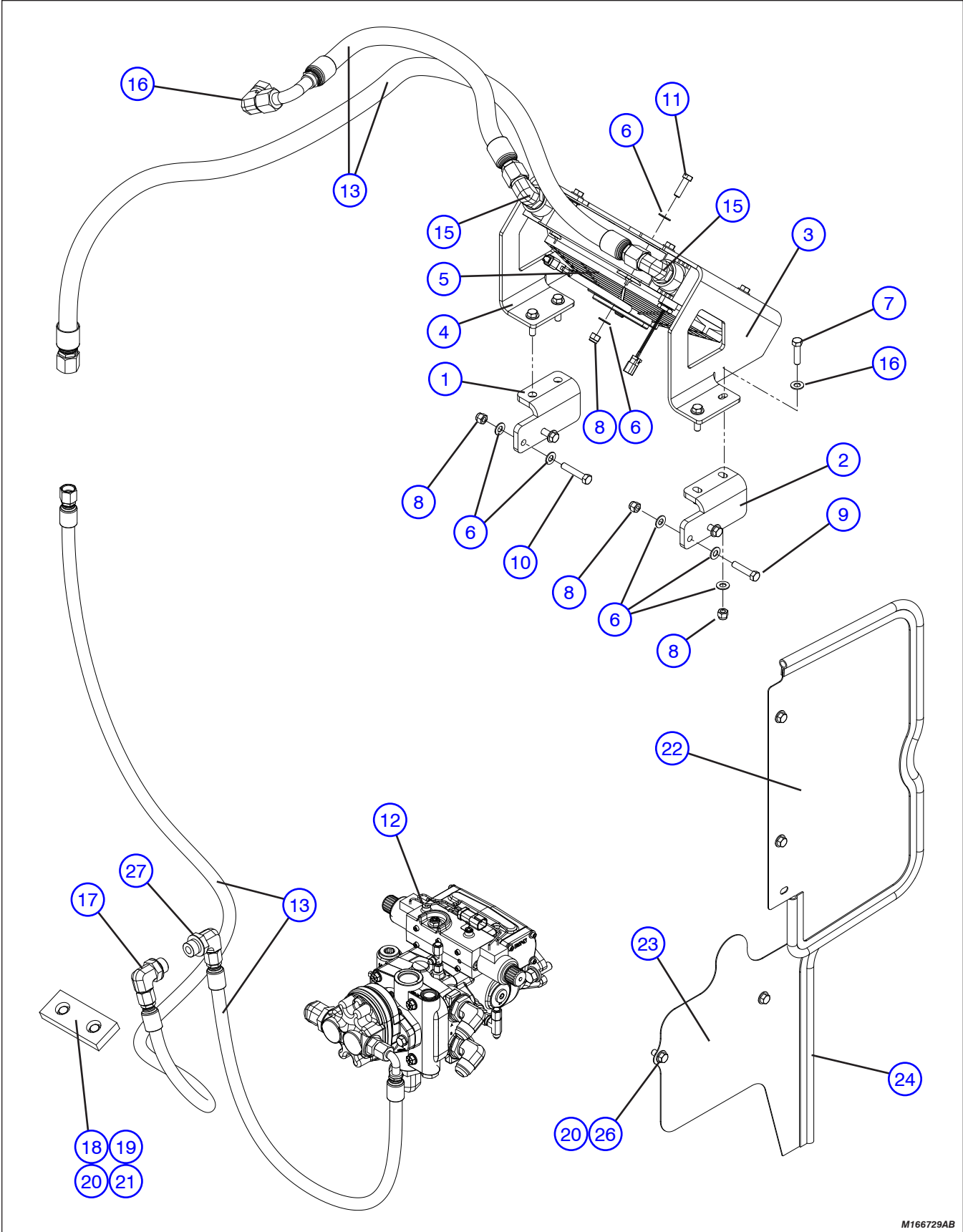
Index No.	Skyjack Part No.	Qty.	Description
-	194701	-	LOAD CIRCUIT MANIFOLD - Cold & Arctic Packages with Deutz D2.9L
-	209445	1	• MANIFOLD ASSEMBLY, Load circuit
1	208620	1	• • MANIFOLD, Load circuit
	195033	1	• • • VALVE, Needle
	195035	1	• • • VALVE, Relief (3250 psi)
	195036	1	• • • VALVE, Spool (SV12-34)
	168450	1	• • • COIL, 12V DC
2	138981	2	• • FITTING, 90° (10JICM-12ORBM)
3	114583	1	• • FITTING, 90° (08JICM-08ORBM)
4	103915	2	• BOLT, Hex head (0.375"-16 X 3.50" gr 5)
5	104606	2	• NUT, Hex head nylon lock (0.375"-16 gr 5)
6	194958	1	HARNESS, Load circuit
7	196423	1	WIRE KIT, Load circuit
	137940	1	• • TERMINAL BLOCK
	102921	1	• • DIODE



Index No.	Hose P/N	From		To	
		Description	Port	Port	Description
-	194976	LOAD CIRCUIT HOSE KIT - Cold & Arctic Packages with Deutz D2.9L engine			
1	H5410 0020 0	System Pump	OUT	P	Load Circuit Manifold
2	H5110 0043 0	High Pressure Filter	IN	A	Load Circuit Manifold
3	H540801200	Hydraulic Tank	IN	T	Load Circuit Manifold

9.10 Oil Cooler Assembly (No Generator) - 46AJ

AB

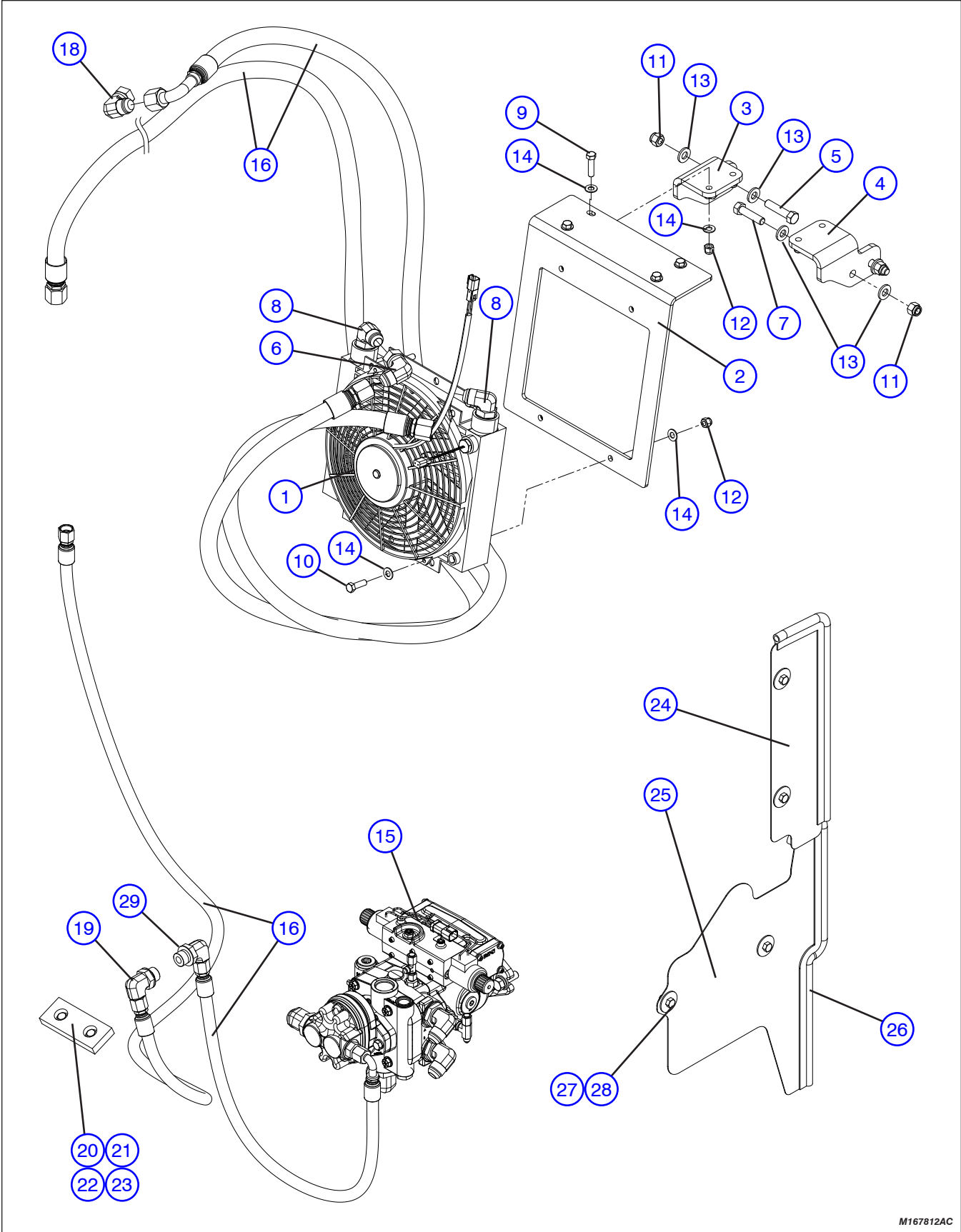


M166729AB

Index No.	Skyjack Part No.	Qty.	Description
A	166729	1	OIL COOLER ASSEMBLY (No Generator) (46AJ ANSI/CSA & AS)
B	170485	1	OIL COOLER ASSEMBLY (No Generator) (46AJ CE)
-	166736	1	• OIL COOLER ASSEMBLY
1	162962	1	• • BRACKET, Mount
2	162967	1	• • BRACKET, Mount
3	162964	1	• • BRACKET, Oil cooler mount RH
4	162963	1	• • BRACKET, Oil cooler mount LH
5	160800	1	• • OIL COOLER, 12V DC
6	103472	26	• • WASHER, Flat (0.375")
7	103870	4	• • BOLT, Hex head (0.375"-16 x 1.50" Grade 5)
8	104606	12	• • NUT, Hex head nylon lock (0.375"-16 Grade 5)
9	103871	2	• • BOLT, Hex head (0.375"-16 x 1.75" Grade 5)
10	103596	2	• • BOLT, Hex head (0.375"-16 x 2.00" Grade 5)
11	101297	6	• • BOLT, Hex head (0.375"-16 x 1.25" Grade 5)
12	(Ref.)	1	• DRIVE/SYSTEM PUMP (For components, refer to Section 7.6)
13	(Ref.)	1	• OIL COOLER HOSE KIT (For components, refer to Section 9.12)
14	(Ref.)	1	• OIL COOLER WIRING (not shown) (For components, refer to Section 9.13)
15	105445	2	• FITTING, Elbow 90° (12 JICM - 12 ORBM)
16	703284	1	• FITTING, Elbow 90° (12 JICM - 12 JICFSW)
17	112366	1	• FITTING, Elbow 90° (08 JICM - 12 ORBM)
18	162293	1	• PAD, Guide (5.00" x 2.00" x 0.625")
19	101297	2	• BOLT, Hex head (0.375"-16 x 1.25" Grade 5)
20	103472	2	• WASHER, Flat (0.375")
21	144238	2	• NUT, Torque lock (0.375"-16 Grade C)
22	168619	1	• SHROUD, Upper, A
	170446	1	• SHROUD, Upper, B
23	168622	1	• SHROUD, Lower, A
	170447	1	• SHROUD, Lower, B
24	137625	62"	• SEAL, Bulb, A
	137625	60"	• SEAL, Bulb, B
25	101632	4	• BOLT, Hex head (0.375"-16 x 0.75" Grade 5)
26	103472	4	• WASHER, Flat (0.375"), A
	127067	4	• WASHER, Flat BB style (0.375"), B
27	138981	1	• FITTING, Elbow 90° (10 JICM - 12 ORBM)

9.11 Oil Cooler Assembly (No Generator) - 51AJ

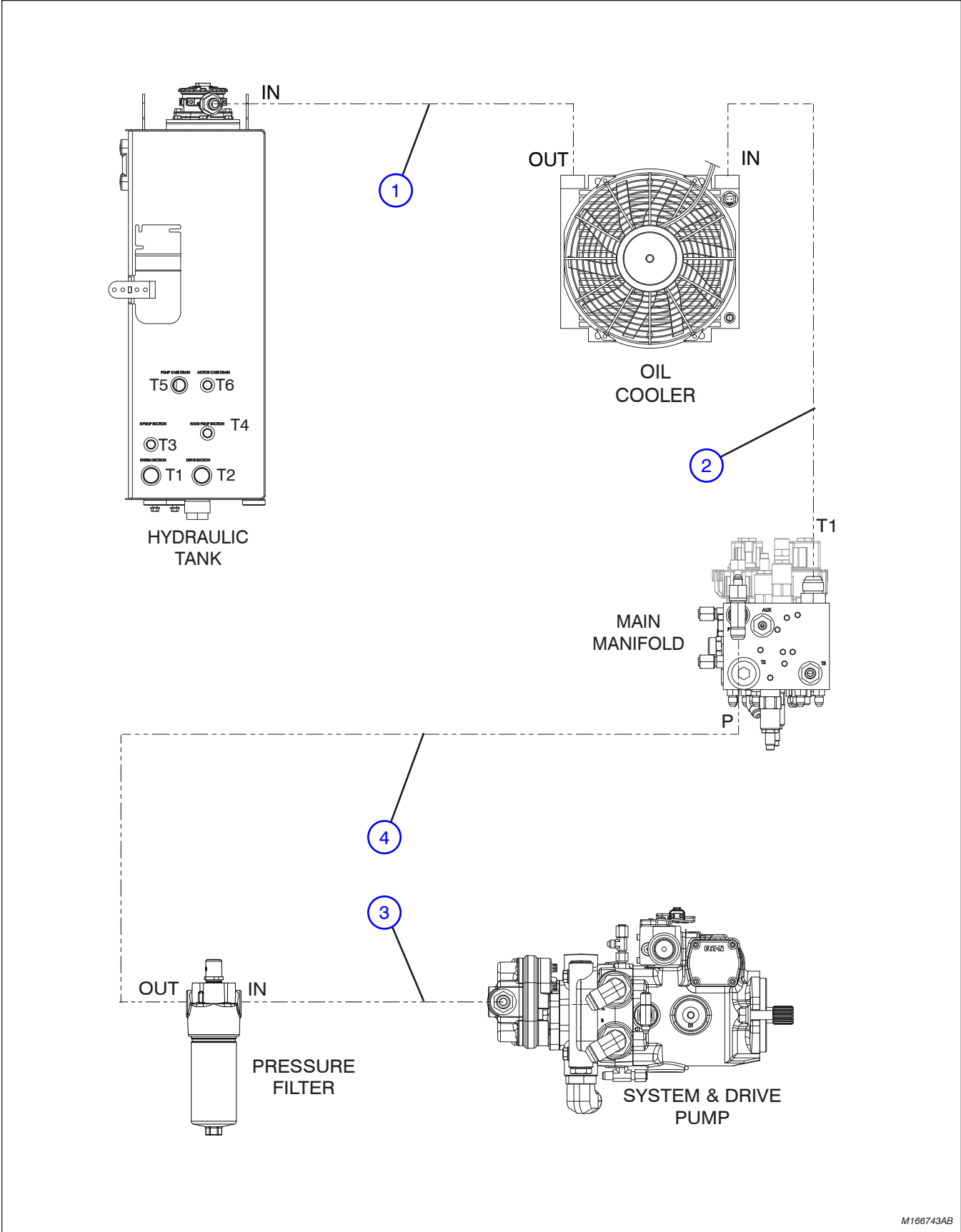
AB



M167812AC

Index No.	Skyjack Part No.	Qty.	Description
-	167812	1	OIL COOLER ASSEMBLY (No Generator) (51AJ)
-	167814	1	• OIL COOLER ASSEMBLY
1	160800	1	• • OIL COOLER, 12V DC
2	166788	1	• • MOUNT, Cooler bracket
3	167817	1	• • MOUNT, Oil cooler LH
4	167816	1	• • MOUNT, Oil cooler RH
5	106447	2	• • BOLT, Hex head (0.50"-13 x 2.25" Grade 8)
6	703284	1	• • FITTING, Elbow 90° (12 JICM - 12 JICFSW)
7	139007	2	• • BOLT, Hex head (0.50"-13 x 2.00" Grade 8)
8	105445	2	• • FITTING, Elbow 90° (12 JICM - 12 ORBM)
9	103870	4	• • BOLT, Hex head (0.375"-16 x 1.50" Grade 5)
10	101297	4	• • BOLT, Hex head (0.375"-16 x 1.25" Grade 5)
11	702507	4	• • NUT, Hex head nylon lock (0.50"-13 Grade 5)
12	104606	8	• • NUT, Hex head nylon lock (0.375"-16 Grade 5)
13	104379	8	• • WASHER, Flat hardened (0.50")
14	103472	16	• • WASHER, Flat (0.375")
15	(Ref.)	1	• DRIVE/SYSTEM PUMP (For components, refer to Section 7.6)
16	(Ref.)	1	• OIL COOLER HOSE KIT (For components, refer to Section 9.12)
17	(Ref.)	1	• OIL COOLER WIRING (not shown) (For components, refer to Section 9.13)
18	703284	1	• FITTING, Elbow 90° (12 JICM - 12 JICFSW)
19	112366	1	• FITTING, Elbow 90° (08 JICM - 12 ORBM)
20	162293	1	• PAD, Guide (5.00" x 2.00" x 0.625")
21	101297	2	• BOLT, Hex head (0.375"-16 x 1.25" Grade 5)
22	103472	2	• WASHER, Flat (0.375")
23	144238	2	• NUT, Torque lock (0.375"-16 Grade C)
24	170451	1	• SHROUD, Upper
25	170450	1	• SHROUD, Lower
26	137625	45"	• SEAL, Bulb
27	101632	4	• BOLT, Hex head (0.375"-16 x 0.75" Grade 5)
28	127067	4	• WASHER, Flat BB style (0.375")
29	138981	1	• FITTING, Elbow 90° (10 JICM - 12 ORBM)

9.12 Hydraulic Hose Connections - Oil Cooler (No Generator)

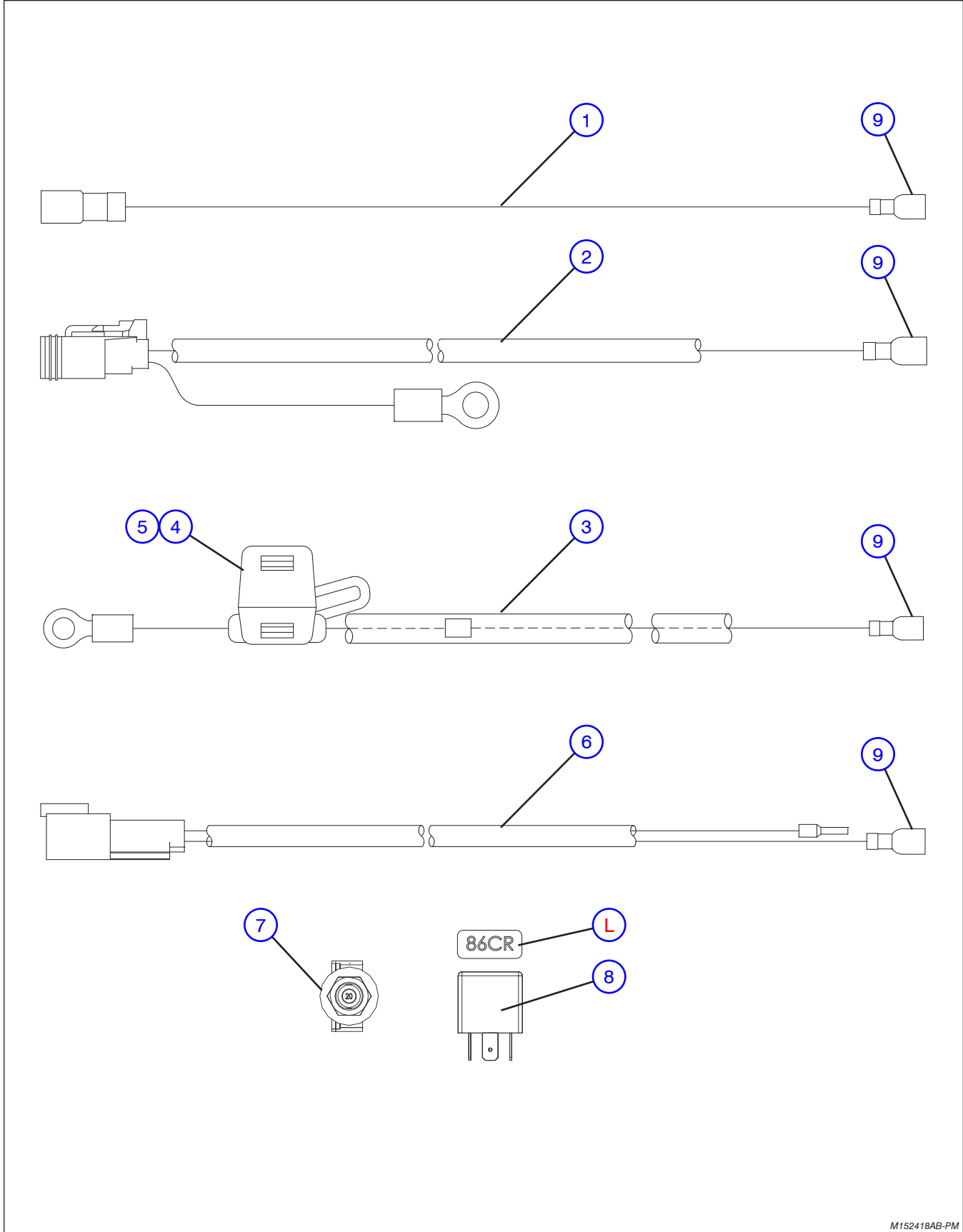


M166743AB

9.12 Hydraulic Hose Connections - Oil Cooler (No Generator)

Index No.	Hose P/N	From		To	
		Description	Port	Port	Description
-	166743	OIL COOLER HOSE KIT (46AJ)			
1	H5412 0027 0	Oil Cooler	OUT	IN	Return Filter (Hydraulic Tank)
2	H5112 0067 0	Oil Cooler	IN	T1	Main Manifold
3	H5410 0039 0	Pressure Filter	IN	-	System Pump
4	H5108 0086 0	Pressure Filter	OUT	P	Main Manifold
-	167815	OIL COOLER HOSE KIT (51AJ)			
1	H5412 0100 0	Oil Cooler	OUT	IN	Return Filter (Hydraulic Tank)
2	H5112 0135 0	Oil Cooler	IN	T1	Main Manifold
3	H5410 0039 0	Pressure Filter	IN	-	System Pump
4	H5108 0086 0	Pressure Filter	OUT	P	Main Manifold

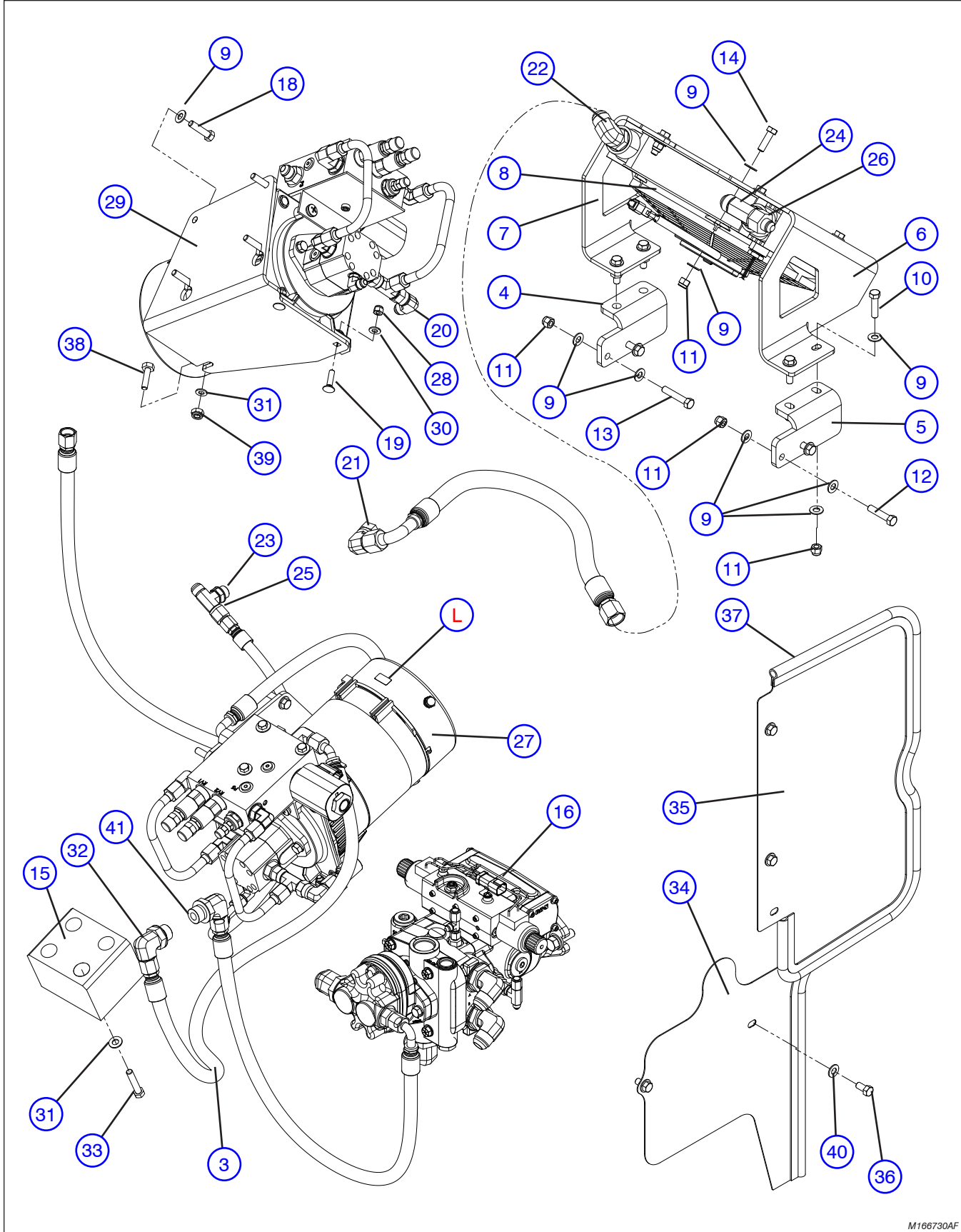
9.13 Oil Cooler Wiring



M152418AB-PM

9.13 Oil Cooler Wiring

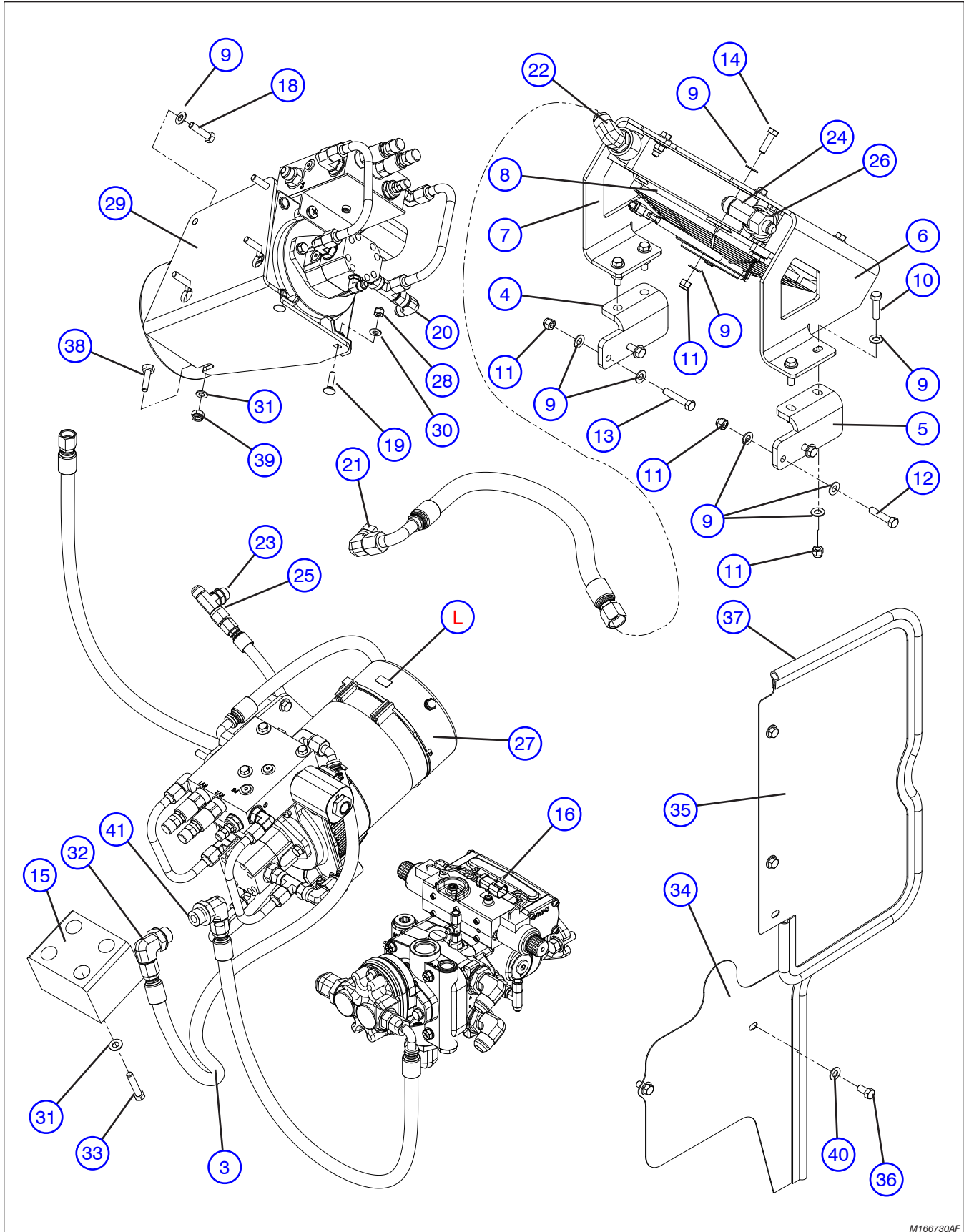
Index No.	Skyjack Part No.	Qty.	Description
-	152418	1	OIL COOLER WIRING
1	163087	1	• WIRE ASSEMBLY (Cooler relay)
2	152419	1	• HARNESS, Cooler fan
	117597	1	• • CONNECTOR, Plug (2-pin)
	117599	1	• • CONNECTOR, Plug wedge (2-pin)
	117593	2	• • CONNECTOR, Contact socket (14/16)
3	144074	1	• HARNESS, Oil cooler
4	121504	1	• • FUSE, 20 AMP
5	119293	1	• • FUSE Holder with cover
6	152420	1	• HARNESS, Cooler temperature sensor
	117596	1	• • CONNECTOR, Receptacle (2-pin)
	117598	1	• • CONNECTOR, Receptacle wedge (2-pin)
	117590	1	• • CONNECTOR, Contact pin (16/18)
7	117326	1	• BREAKER, Circuit (20 AMP)
8	127131	1	• RELAY, 12V (40AMP)
9	116266	1	• CONNECTOR, Strain relief
L	144193	1	• LABEL, Relay - cooler 86CR



M166730AF

Index No.	Skyjack Part No.	Qty.	Description
A	166730	1	GENERATOR & OIL COOLER ASSEMBLY - 3.5kW (46AJ ANSI/CSA)
B	166731	1	GENERATOR & OIL COOLER ASSEMBLY - 3.5kW (46AJ CE)
1	(Ref.)	1	<ul style="list-style-type: none"> OIL COOLER WIRING (not shown) (For components, refer to Section 9.13)
2	(Ref.)	1	<ul style="list-style-type: none"> GENERATOR WIRING - 3.5kW (not shown) (For components, refer to Section 9.17)
3	(Ref.)	1	<ul style="list-style-type: none"> GENERATOR HOSE KIT (For components, refer to Section 9.16)
-	166736	1	<ul style="list-style-type: none"> OIL COOLER ASSEMBLY
4	162962	1	<ul style="list-style-type: none"> BRACKET, Mount
5	162967	1	<ul style="list-style-type: none"> BRACKET, Mount
6	162964	1	<ul style="list-style-type: none"> BRACKET, Oil cooler mount RH
7	162963	1	<ul style="list-style-type: none"> BRACKET, Oil cooler mount LH
8	160800	1	<ul style="list-style-type: none"> OIL COOLER, 12V DC
	169245	1	<ul style="list-style-type: none"> THERMOSTAT, Oil cooler
9	103472	26	<ul style="list-style-type: none"> WASHER, Flat (0.375")
0	103870	4	<ul style="list-style-type: none"> BOLT, Hex head (0.375"-16 x 1.50" Grade 5)
11	104606	12	<ul style="list-style-type: none"> NUT, Hex head nylon lock (0.375"-16 Grade 5)
12	103871	2	<ul style="list-style-type: none"> BOLT, Hex head (0.375"-16 x 1.75" Grade 5)
13	103596	2	<ul style="list-style-type: none"> BOLT, Hex head (0.375"-16 x 2.00" Grade 5)
14	101297	6	<ul style="list-style-type: none"> BOLT, Hex head (0.375"-16 x 1.25" Grade 5)
15	152593	1	<ul style="list-style-type: none"> PAD, Wear (5.00" X 4.00" X 3.329")
16	(Ref.)	1	<ul style="list-style-type: none"> DRIVE/SYSTEM PUMP (For components, refer to Section 7.6)
17	(Ref.)	1	<ul style="list-style-type: none"> UPPER CONTRL BOX WIRING - 3.5kW generator (not shown) (For components, refer to Section 9.17)
18	103870	4	<ul style="list-style-type: none"> BOLT, Hex head (0.375"-16 x 1.50" Grade 5)
19	106049	2	<ul style="list-style-type: none"> BOLT, Carriage (0.313"-18 x 1.25" Grade 5)
20	702856	1	<ul style="list-style-type: none"> FITTING, Elbow 90° (08 JICM - 08 JICFSW)
21	703284	1	<ul style="list-style-type: none"> FITTING, Elbow 90° (12 JICM - 12 JICFSW)
22	105445	1	<ul style="list-style-type: none"> FITTING, Elbow 90° (12 JICM - 12 ORBM)
23	135061	1	<ul style="list-style-type: none"> FITTING, Branch tee (08 JICM - 08 JICM - 08 ORBM)
24	707277	1	<ul style="list-style-type: none"> FITTING, Branch tee (12 JICM - 12 JICM - 12 ORBM)
25	110498	1	<ul style="list-style-type: none"> FITTING, Straight (08 JICM - 06 ORBM)
26	703412	1	<ul style="list-style-type: none"> FITTING, Straight (12 JICF - 08 JICM)
27	(Ref.)	1	<ul style="list-style-type: none"> GENERATOR (3.5kW - 60Hz AC) (For components, refer to Section 9.18)
28	103984	2	<ul style="list-style-type: none"> NUT, Hex head nylon lock (0.313"-18 Grade 5)
29	166735	1	<ul style="list-style-type: none"> PLATE, Generator mount
30	103996	2	<ul style="list-style-type: none"> WASHER, Flat (0.312")
31	103472	9	<ul style="list-style-type: none"> WASHER, Flat (0.375")
32	112366	1	<ul style="list-style-type: none"> FITTING, Elbow 90° (08 JICM - 12 ORBM)
33	103596	4	<ul style="list-style-type: none"> BOLT, Hex head (0.375"-16 x 2.00" Grade 5)

Parts list continued on the following page.

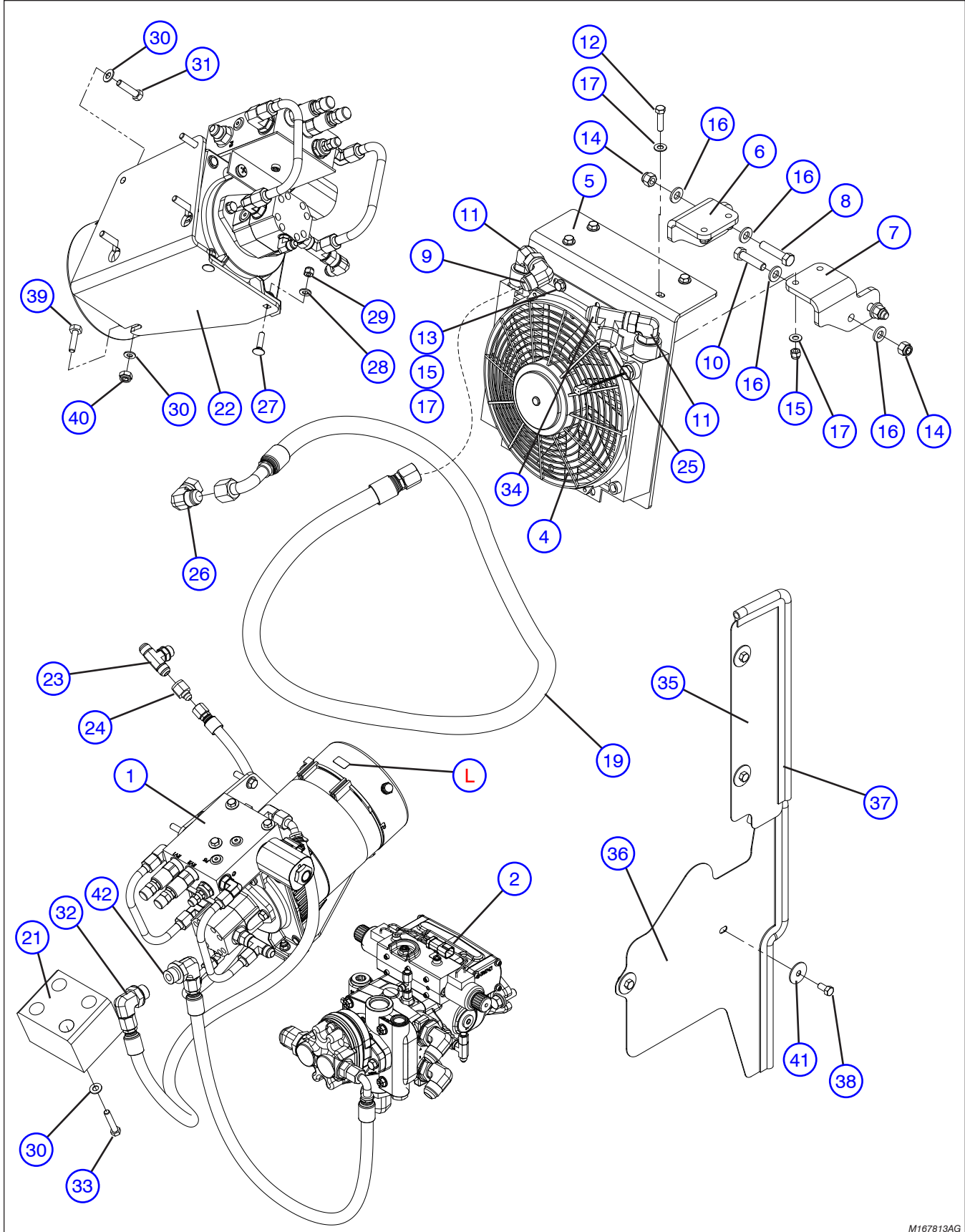


M166730AF

Index No.	Skyjack Part No.	Qty.	Description
Parts list continued from the previous page.			
34	168622	1	• SHROUD, Generator - lower, A
	170451	1	• SHROUD, Generator - lower, B
35	168619	1	• SHROUD, Generator - upper, A
	170450	1	• SHROUD, Generator - upper, B
36	101632	4	• BOLT, Hex head (0.375"-16 x 0.75" Grade 5)
37	137625	62"	• SEAL, Bulb, A
	137625	60"	• SEAL, Bulb, B
38	136665	1	• BOLT, Hex head (M10 x 1.25 x 35mm Grade 8.8)
39	144260	1	• NUT, Hex head nylon lock (M10-1.25 Grade 8.8)
40	103472	4	• WASHER, Flat (0.375"), A
	127067	4	• WASHER, Flat BB style (0.375"), B
41	138981	1	• FITTING, Elbow 90° (08 JICM - 12 ORBM)
L	117390	1	• LABEL, Push to reset generator

9.15 Generator & Oil Cooler Assembly - 3.5kW (51AJ)

AB

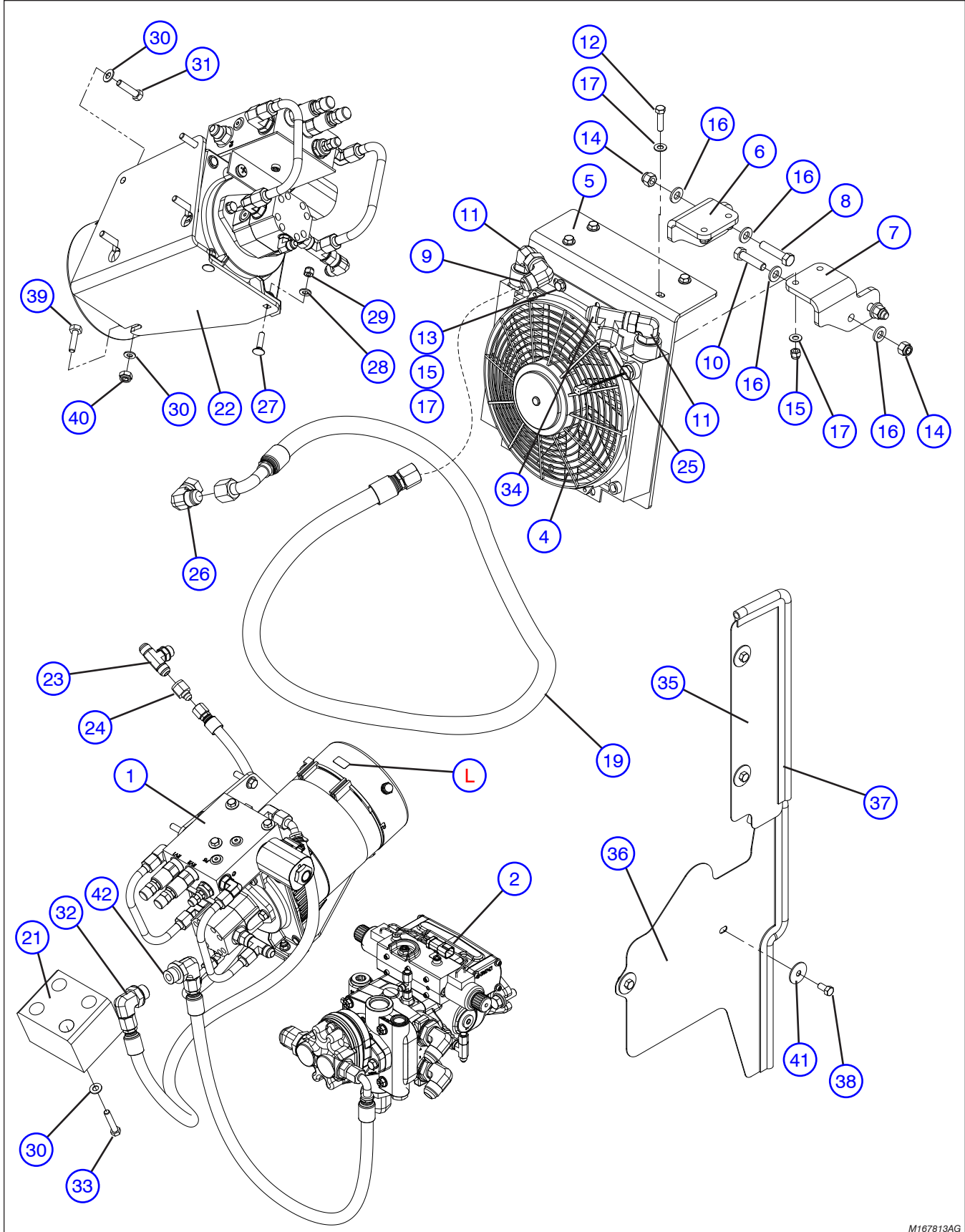


M167813AG

Index No.	Skyjack Part No.	Qty.	Description
-	167813	1	GENERATOR & OIL COOLER ASSEMBLY - 3.5kW (51AJ CE)
1	(Ref.)	1	• GENERATOR (3.5kW - 60Hz AC) (For components, refer to Section 9.18)
2	(Ref.)	1	• DRIVE/SYSTEM PUMP (For components, refer to Section 7.6)
3	(Ref.)	1	• GENERATOR WIRING - 3.5kW (not shown) (For components, refer to Section 9.17)
-	167814	1	• OIL COOLER ASSEMBLY
4	160800	1	• • OIL COOLER, 12V DC
	169245	1	• • • THERMOSTAT, Oil cooler
5	166788	1	• • MOUNT, Oil Cooler angle
6	167817	1	• • MOUNT, Oil Cooler LH
7	167816	1	• • MOUNT, Oil Cooler RH
8	106447	2	• • BOLT, Hex head (0.50"-13 x 2.25" Grade 8)
9	703284	1	• • FITTING, Elbow 90° (12 JICM -12 JICFSW)
10	139007	2	• • BOLT, Hex head (0.50"-13 x 2.00" Grade 8)
11	105445	2	• • FITTING, Elbow 90° (12 JICM - 12 ORBM)
12	103870	4	• • BOLT, Hex head (0.375"-16 x 1.50" Grade 5)
13	101297	4	• • BOLT, Hex head (0.375"-16 x 1.25" Grade 5)
14	702507	4	• • NUT, Hex head nylon lock (0.50"-13 Grade 5)
15	104606	8	• • NUT, Hex head nylon lock (0.375"-16 Grade 5)
16	104379	8	• • WASHER, Flat hardened (0.50")
17	103472	16	• • WASHER, Flat (0.375")
18	(Ref.)	1	• OIL COOLER WIRING (not shown) (For components, refer to Section 9.13)
19	(Ref.)	1	• GENERATOR HOSE KIT (For components, refer to Section 9.16)
20	(Ref.)	1	• UPPER CONTRL BOX WIRING - 3.5kW generator (not shown) (For components, refer to Section 9.17)
21	152593	1	• PAD, Wear (5.00" X 4.00" X 3.329")
22	166735	1	• PLATE, Generator mount
23	135061	1	• FITTING, Branch tee (08 JICM - 08 JICM - 08 ORBM)
24	110498	1	• FITTING, Straight (08 JICM - 06 ORBM)
25	703412	1	• FITTING, Straight (12 JICF - 08 JICM)
26	703284	1	• FITTING, Elbow 90° (12 JICM -12 JICFSW)
27	106049	2	• BOLT, Carriage (0.313"-18 x 1.25" Grade 5)
28	103996	2	• WASHER, Flat (0.312")
29	103984	2	• NUT, Hex head nylon lock (0.313"-18 Grade 5)
30	103472	9	• WASHER, Flat (0.375")
31	103870	4	• BOLT, Hex head (0.375"-16 x 1.50" Grade 5)
32	112366	1	• FITTING, Elbow 90° (08 JICM - 12 ORBM)
33	103596	4	• BOLT, Hex head (0.375"-16 x 2.00" Grade 5)
34	703413	1	• FITTING, Tee (12 JICM - 12 JICM - 12 JICFSW)
			Parts list continued on the following page.

9.15 Generator & Oil Cooler Assembly - 3.5kW (51AJ)

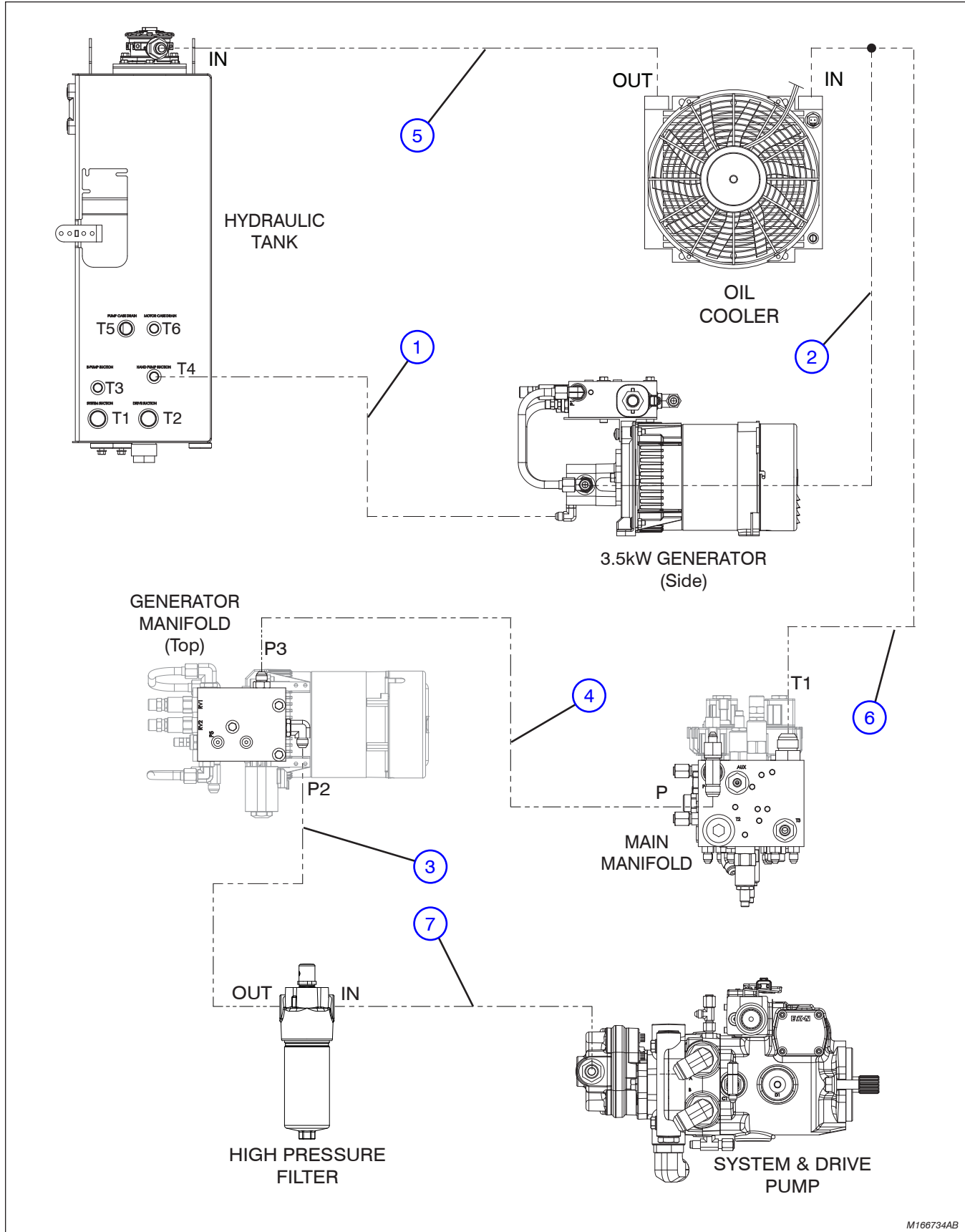
AB



M167813AG

Index No.	Skyjack Part No.	Qty.	Description
Parts list continued from the previous page.			
35	170450	1	• SHROUD, Generator - upper
36	170451	1	• SHROUD, Generator - lower
37	137625	45"	• SEAL, Bulb
38	101632	4	• BOLT, Hex head (0.375"-16 x 0.75" Grade 5)
39	136665	1	• BOLT, Hex head (M10 x 1.25 x 35mm Grade 8.8)
40	144260	1	• NUT, Hex head nylon lock (M10-1.25 Grade 8.8)
41	127067	4	• WASHER, Flat BB style (0.375")
42	138981	1	• FITTING, Elbow 90° (10 JICM - 12 ORBM)
L	117390	1	• LABEL, Push to reset generator

9.16 Hydraulic Hose Connection - 3.5kW Generator & Oil Cooler

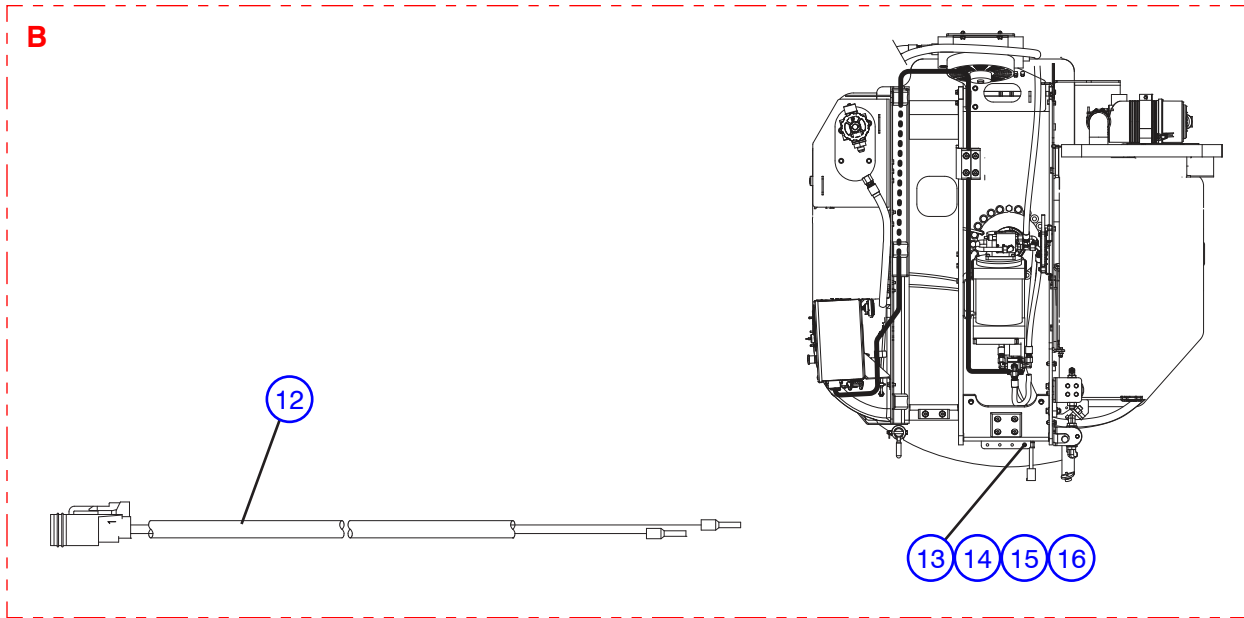
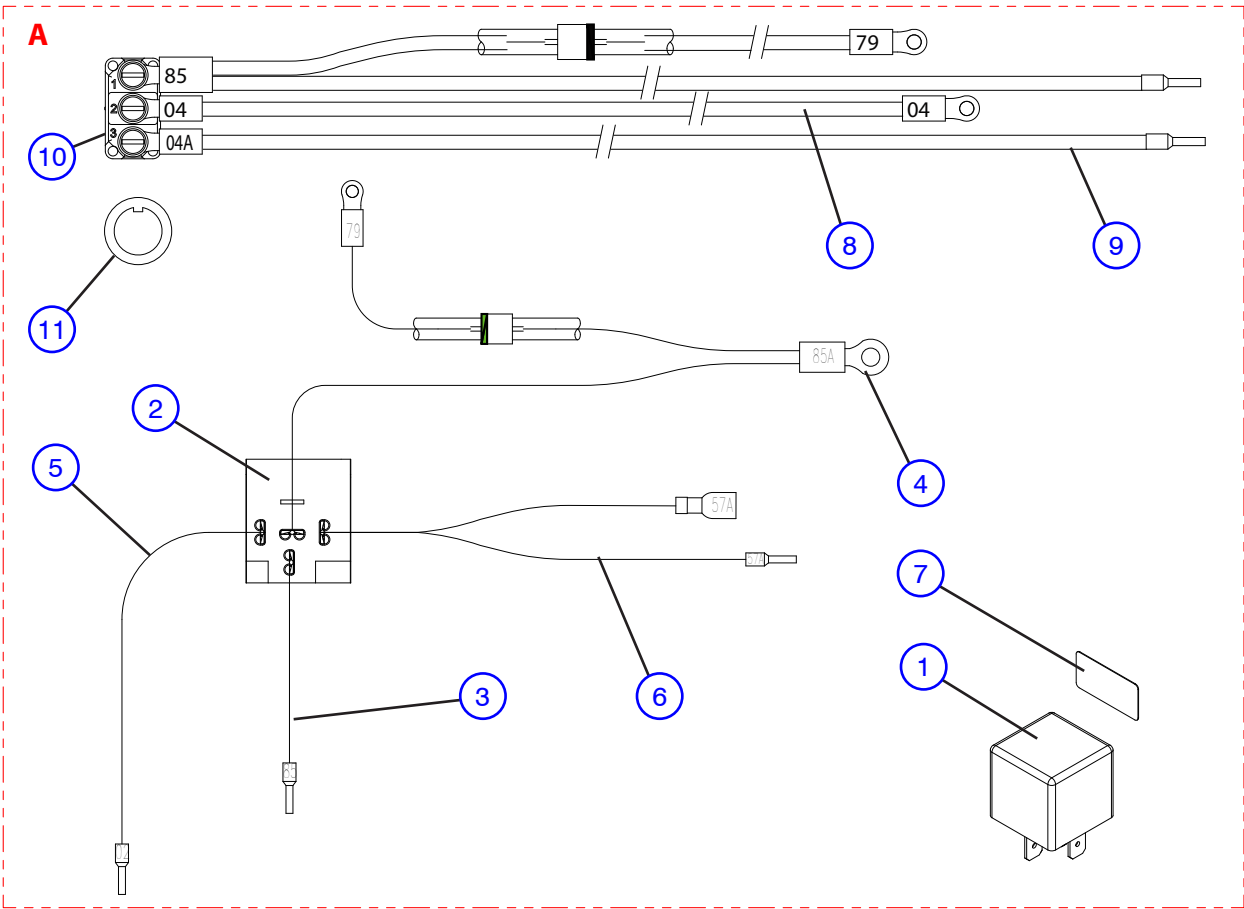


M166734AB

Index No.	Hose P/N	From		To		
		Description	Port	Port	Description	
-	166734	3.5kW GENERATOR & OIL COOLER HOSE KIT (46AJ ANSI/CSA & CE)				
1	H5406 0037 0	Generator (Case Drain)	-	T4	Hydraulic Tank	
2	H5408 0053 0	Oil Cooler	IN	-	Generator (Return)	
3	H5208 0050 0	Pressure Filter	OUT	P2	Generator Manifold (Pressure)	
4	H5408 0061 0	Generator Manifold (Auxiliary)	P3	P	Main Manifold	
5	H5412 0027 0	Oil Cooler	OUT	IN	Return Filter (Hydraulic Tank)	
6	H5112 0067 0	Oil Cooler	IN	T1	Main Manifold	
7	H5410 0039 0	Pressure Filter	IN	-	System Pump	
-	167841	3.5kW GENERATOR & OIL COOLER HOSE KIT (51AJ CE)				
1	H5406 0037 0	Generator (Case Drain)	-	T4	Hydraulic Tank	
2	H5408 0036 0	Oil Cooler	IN	-	Generator (Return)	
3	H5208 0050 0	Pressure Filter	OUT	P2	Generator Manifold (Pressure)	
4	H5408 0061 0	Generator Manifold (Auxiliary)	P3	P	Main Manifold	
5	H5412 0100 0	Oil Cooler	OUT	IN	Return Filter (Hydraulic Tank)	
6	H5112 0135 0	Oil Cooler	IN	T1	Main Manifold	
7	H5410 0039 0	Pressure Filter	IN	-	System Pump	

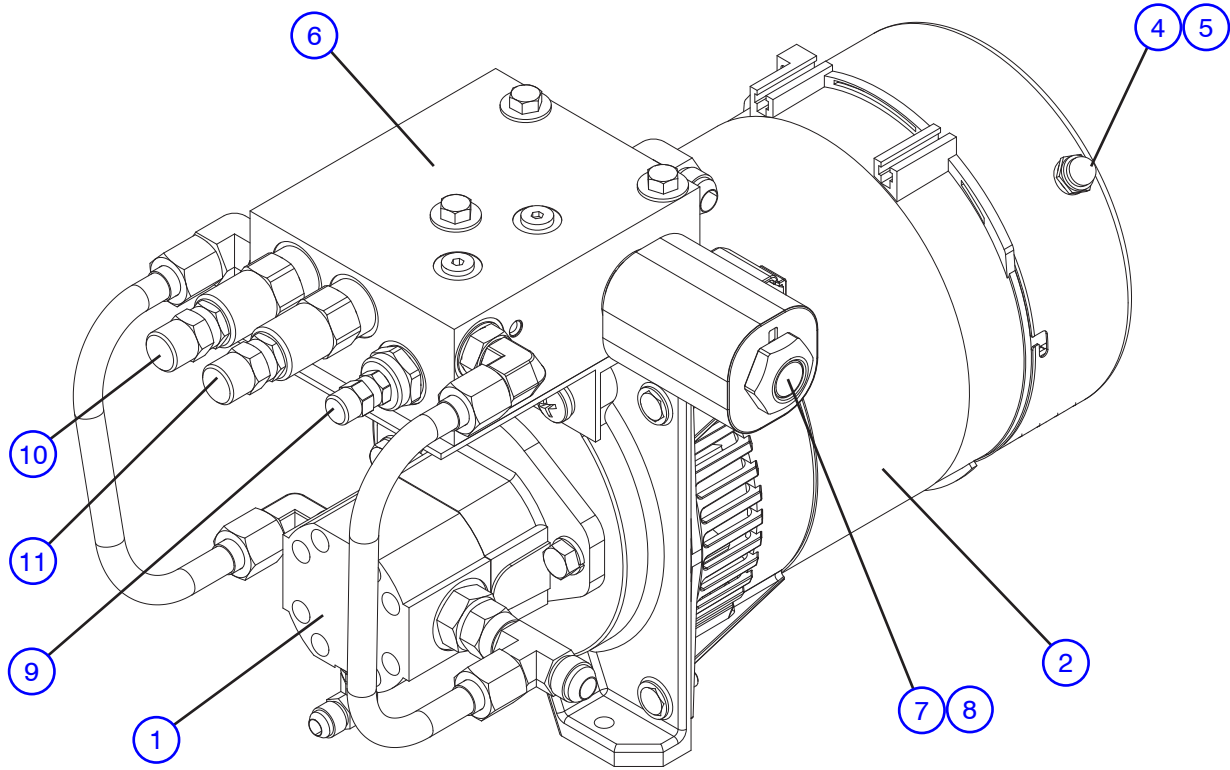
9.17 Generator Wiring - 3.5kW

AC



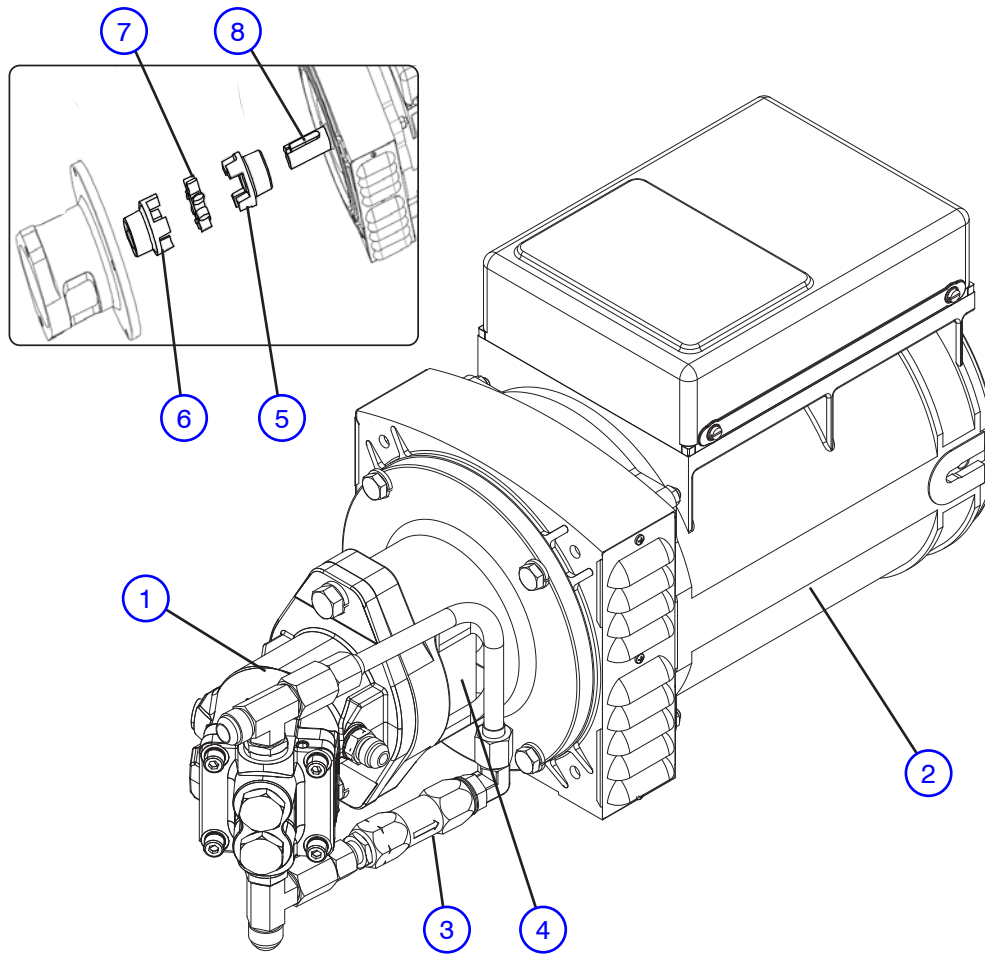
M169581AB2, M152582AA, M148596AA-3

Index No.	Skyjack Part No.	Qty.	Description
A	169581	1	GENERATOR WIRE KIT - Platform control console
-	169587	1	• WIRE ASSEMBLY, Generator anti-start
1	127131	1	• • RELAY, 12V 40 amp
2	138749	1	• • SOCKET, Relay
3	169477	1	• • WIRE ASSEMBLY, Generator (85)
4	169588	1	• • WIRE ASSEMBLY, Generator (78/85)
5	169479	1	• • WIRE ASSEMBLY, Generator (02)
6	169480	1	• • WIRE ASSEMBLY, Generator (57A)
7	169494	1	• • LABEL, Relay (57ACR1)
8	144081	1	• WIRE ASSEMBLY, Generator (04)
9	144082	1	• WIRE ASSEMBLY, Generator (04A)
10	115747	1	• SWITCH, Toggle (1NT1-3)
11	144016	1	• SEAL, Toggle switch
B	148596	1	GENERATOR WIRE KIT - Generator
12	152582	1	• HARNESS, Generator valve
	117597	1	• • CONNECTOR, Plug (2-pin)
	117599	1	• • CONNECTOR, Plug wedge (2-pin)
	117591	2	• • CONNECTOR, Contact socket (16/18)
13	103024	1	• CLIP, Single (G8)
14	103857	1	• BOLT, Hex head cap (1/4"-20 X 1" Grade 5)
15	103995	1	• WASHER, Flat (1/4")
16	115649	1	• NUT, Hex lock (1/4"-20 Grade 5, nylon)



M160765AG

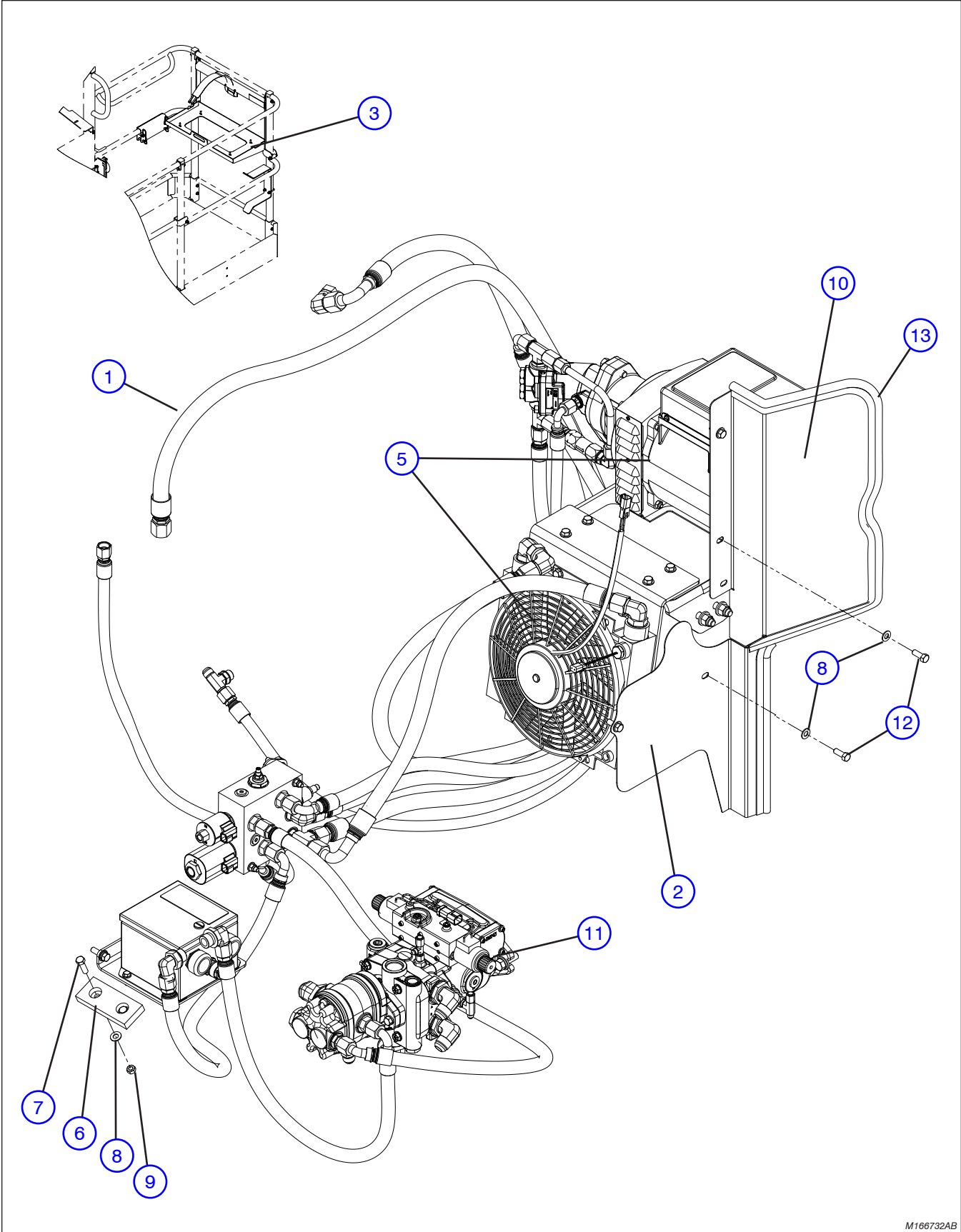
Index No.	Skyjack Part No.	Qty.	Description
A	160765	1	GENERATOR (3.5kW - 60Hz AC) (ANSI/CSA)
B	160852	1	GENERATOR (3.5kW - 50Hz AC) (CE)
1	171419	1	<ul style="list-style-type: none"> • MOTOR, Hydraulic - 5 cc
2	197772	1	<ul style="list-style-type: none"> • ALTERNATOR, Generator - 60 Hz, A
3	197773	1	<ul style="list-style-type: none"> • ALTERNATOR, Generator - 50 Hz, B
3	197775	1	<ul style="list-style-type: none"> • CORD, GFI (not shown)
4	117325	1	<ul style="list-style-type: none"> • BREAKER, Circuit - 15 amp
5	162508	1	<ul style="list-style-type: none"> • BOOT, Circuit breaker
-	197765	1	<ul style="list-style-type: none"> • MANIFOLD, Generator - 3.5 kW
6	197768	1	<ul style="list-style-type: none"> • • BLOCK, Manifold
7	168448	1	<ul style="list-style-type: none"> • • VALVE, Solenoid
8	168450	1	<ul style="list-style-type: none"> • • COIL, Solenoid
9	169407	1	<ul style="list-style-type: none"> • • VALVE, Flow control
10	169408	1	<ul style="list-style-type: none"> • • VALVE, Relief
11	169409	1	<ul style="list-style-type: none"> • • VALVE, Relief



M166844AB

Index No.	Skyjack Part No.	Qty.	Description
-	166844	1	GENERATOR, Hydraulic, 12KVA, 11cc
1	195467	1	• MOTOR, Hydraulic - 12 cc
2	197774	1	• ALTERNATOR, Generator - 60 Hz
3	197771	1	• VALVE, Check
4	197778	2	• COVER, Mount
5	197779	1	• COUPLING, Alternator
6	197780	1	• COUPLING, Motor
7	197781	1	• INSERT, Coupling
8	197782	1	• KEY, Alternator drive

9.20 Generator & Oil Cooler Assembly - 12kW

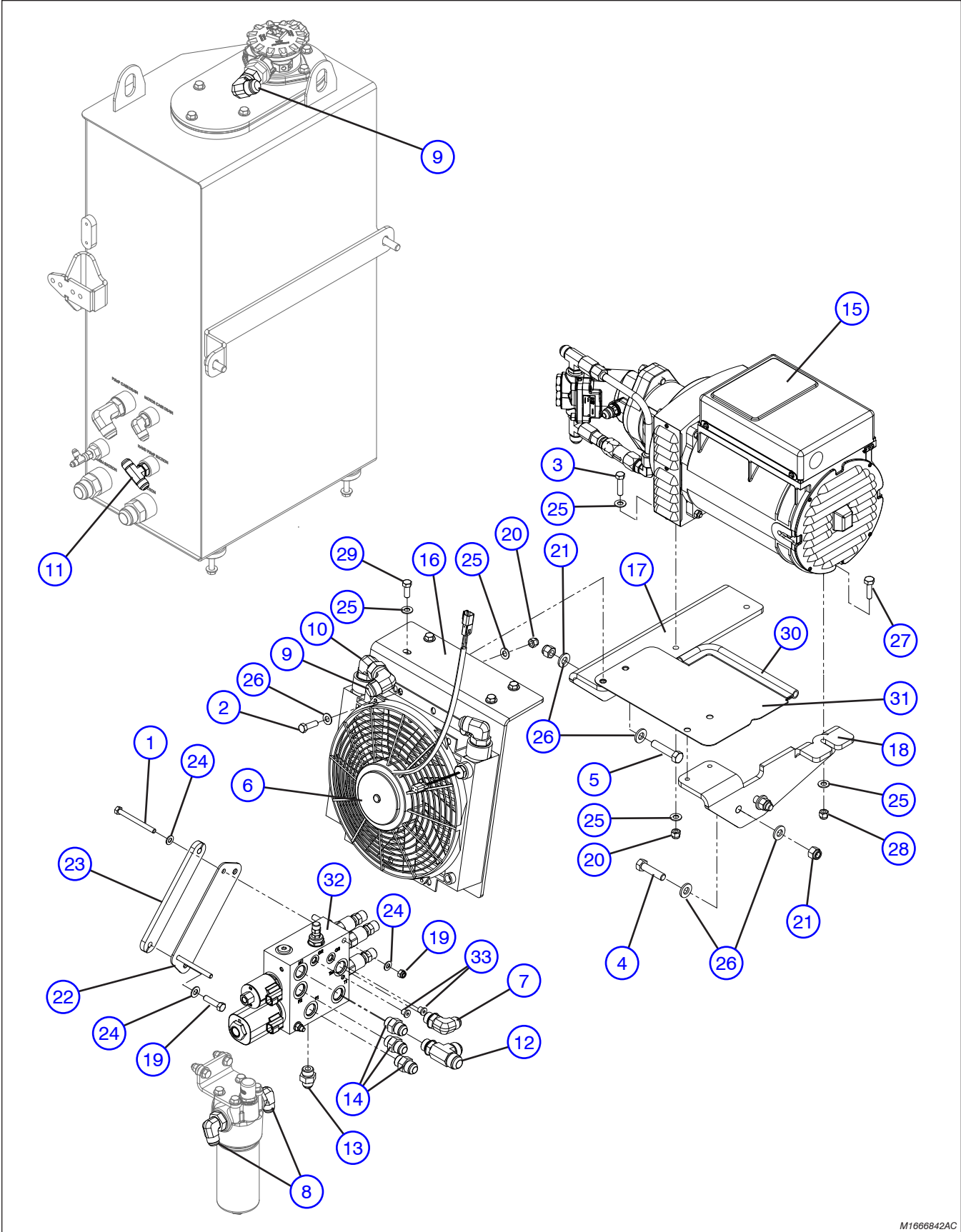


M166732AB

9.20 Generator & Oil Cooler Assembly - 12kW

Index No.	Skyjack Part No.	Qty.	Description
-	166732	1	12KW GENERATOR ASSEMBLY (46AJ ANSI/CSA with Welder Option)
1	(Ref.)	1	<ul style="list-style-type: none"> • HOSE KIT, 12kW Generator (For components, refer to Section 9.24)
2	(Ref.)	1	<ul style="list-style-type: none"> • PUMP ASSEMBLY (For components, refer to Section 7.7)
3	(Ref.)	1	<ul style="list-style-type: none"> • WELDER MOUNTING ASSEMBLY (For components, refer to Section 9.25)
4	(Ref.)	1	<ul style="list-style-type: none"> • WIRING ASSEMBLY - 12kW Generator (not shown) (For components, refer to Section 9.23)
5	(Ref.)	1	<ul style="list-style-type: none"> • GENERATOR AND OIL COOLER ASSEMBLY - 12kW (For components, refer to Section 9.21)
6	162293	1	<ul style="list-style-type: none"> • PAD, Guide (5.00" x 2.00" x 0.625")
7	101297	2	<ul style="list-style-type: none"> • BOLT, Hex head (0.375"-16 x 1.25" Grade 5)
8	103472	6	<ul style="list-style-type: none"> • WASHER, Flat (0.375")
9	144238	2	<ul style="list-style-type: none"> • NUT, Torque lock (3/8"-16 Grade C)
10	168616	1	<ul style="list-style-type: none"> • SHROUD, Generator - upper
11	168617	1	<ul style="list-style-type: none"> • SHROUD, Generator - lower
12	103473	4	<ul style="list-style-type: none"> • BOLT, Hex head (0.375-16" x 1.00" Grade 5)
13	137625	58"	<ul style="list-style-type: none"> • SEAL, Bulb

9.21 Generator & Oil Cooler - 12kW

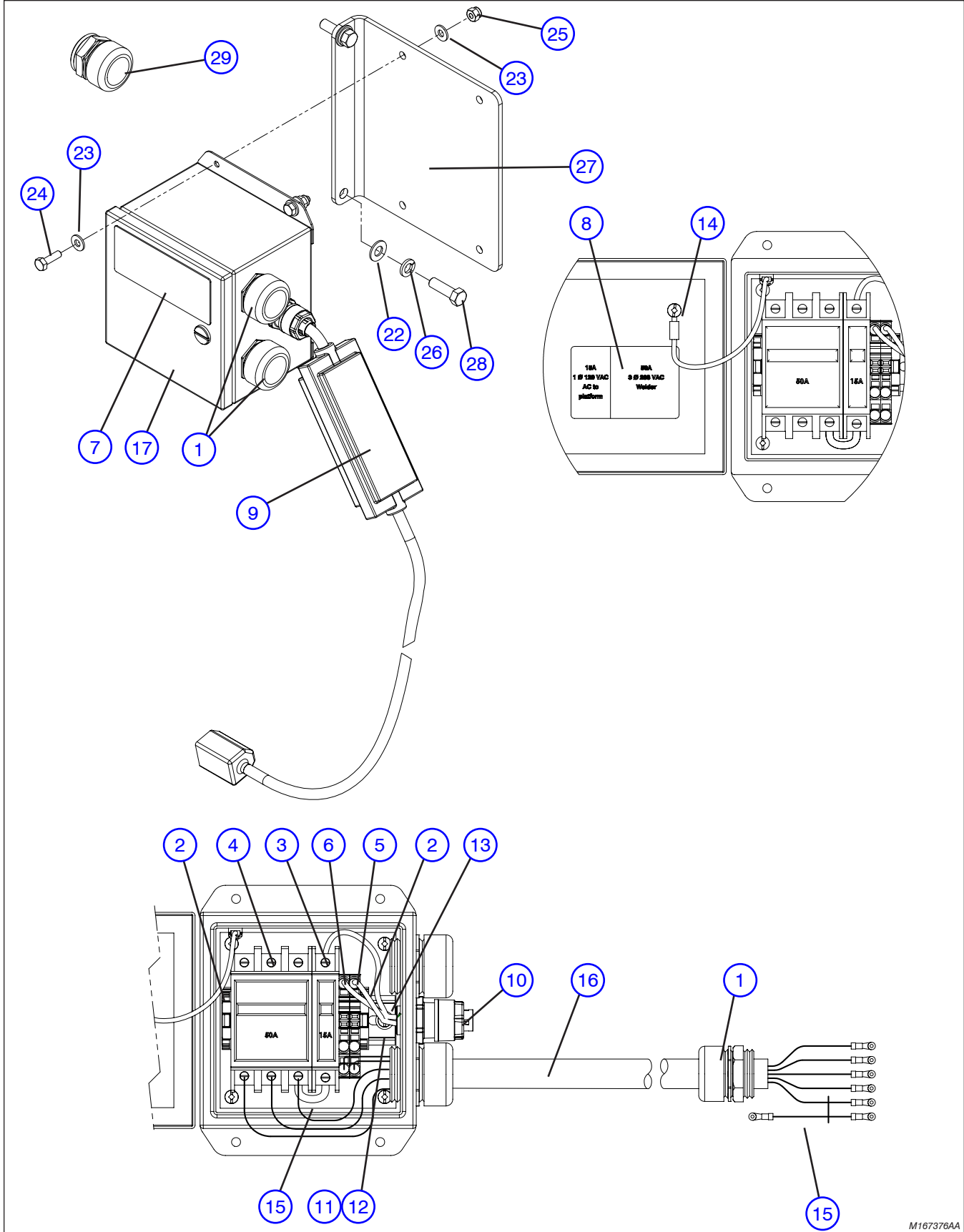


M1666842AC

9.21 Generator & Oil Cooler - 12kW

Index No.	Skyjack Part No.	Qty.	Description
-	166842	1	12KW GENERATOR AND OIL COOLER ASSEMBLY (46AJ ANSI/CSA)
1	103868	2	• BOLT, Hex head (0.312"-18 x 3.50" Grade 5)
2	101297	4	• BOLT, Hex head (0.375"-16 x 1.25" Grade 5)
3	103870	4	• BOLT, Hex head (0.375"-16 x 1.50" Grade 5)
4	139007	2	• BOLT, Hex head (0.50"-13 x 2.00" Grade 8)
5	106447	2	• BOLT, Hex head (0.50"-13 x 2.25" Grade 8)
6	160800	1	• COOLER, Hydraulic oil 12VDC
7	135091	1	• FITTING, Elbow 90° (10 JICM - 10 ORBM)
8	138981	2	• FITTING, Elbow 90° (10 JICM - 12 ORBM)
9	703284	2	• FITTING, Elbow 90° (12 JICM -12 JICFSW)
10	105445	2	• FITTING, Elbow 90° (12 JICM - 12 ORBM)
11	135061	1	• FITTING, Branch Tee (08 JICM - 08 JICM - 08 ORBM)
12	166843	1	• FITTING, Run Tee (12 JICM - 10 ORBM - 12 JICM)
13	103071	1	• FITTING, Straight (08 JICM - 10 ORBM)
14	137630	3	• FITTING, Straight (10 JICM - 10 ORBM)
15	(Ref.)	1	• GENERATOR, Hydraulic, 12KVA, 11cc (For components, refer to Section 9.19)
16	166788	1	• MOUNT, Cooler angle
17	166789	1	• MOUNT, Generator LH
18	166787	1	• MOUNT, Generator RH
19	103984	2	• NUT, Hex head nylon lock (0.313"-18 Grade 5)
20	104606	6	• NUT, Hex head nylon lock (0.375"-16 Grade 5)
21	702507	4	• NUT, Hex head nylon lock (0.500"-13 Grade 5)
22	166797	1	• PLATE, Manifold mount
23	166796	1	• PLATE, Manifold spacer
24	103996	4	• WASHER, Flat (0.312")
25	103472	19	• WASHER, Flat (0.375")
26	104379	8	• WASHER, Flat hardened (0.5")
27	136665	1	• BOLT, Hex head (M10 x 1.25 x 35mm Grade 8.8)
28	144260	1	• NUT, Hex head nylon lock (M10-1.25 Grade 8.8)
29	103473	4	• BOLT, Hex head (0.375"-16 x 1.00 Grade 5)
30	137625	11"	• SEAL, Bulb
31	169141	1	• COVER, Cooler
32	169526	1	• MANIFOLD, Welder generator
	168448	1	• • VALVE, Spool
	168059	1	• • VALVE, Check
	169407	1	• • VALVE, Flow control
	169408	2	• • VALVE, Relief
	169409	1	• • VALVE, Relief
33	121250	3	• FITTING, Plug hollow hex (04 ORBM)

9.22 Circuit Breaker Assembly - 12kW Generator



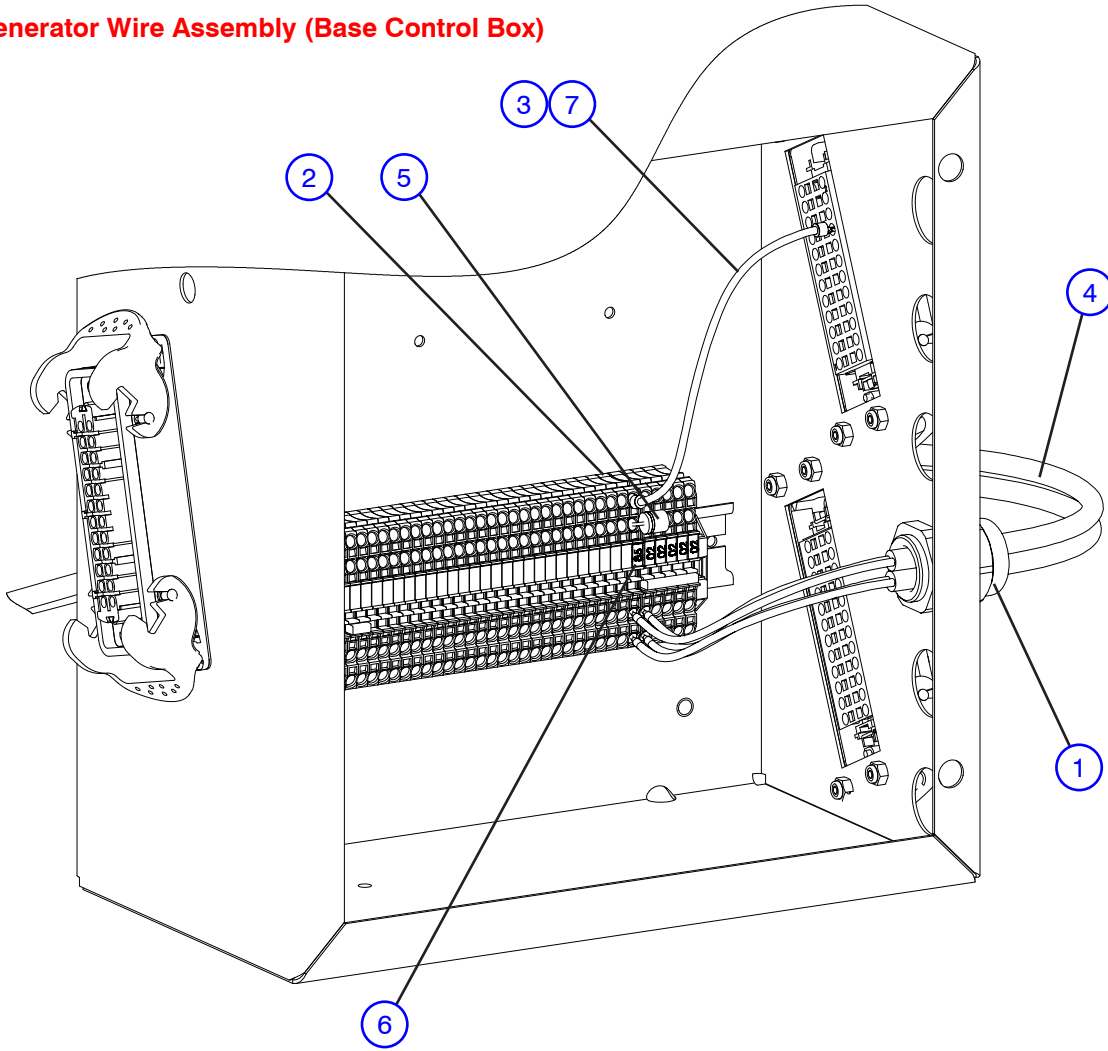
M167376AA

9.22 Circuit Breaker Assembly - 12kW Generator

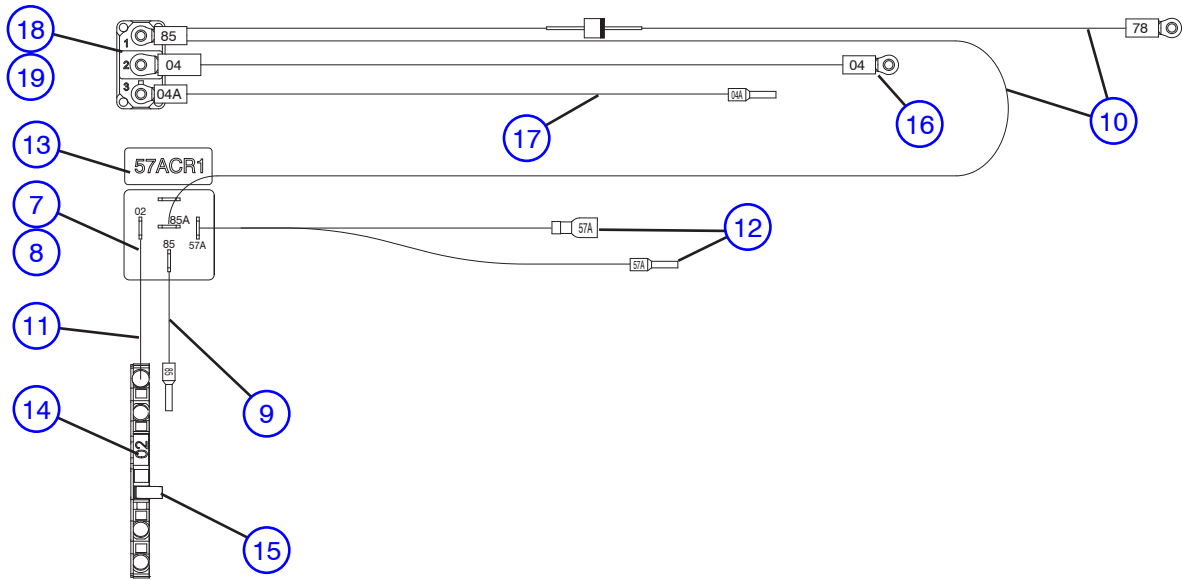
Index No.	Skyjack Part No.	Qty.	Description
-	166832	1	GENERATOR ELECTRICAL ASSEMBLY - 12kW (46AJ ANSI/CSA)
-	167376	1	• CIRCUIT BREAKER BOX ASSEMBLY
1	702613	2	• • CONNECTOR, Strain relief 1-18" straight
2	707147	2	• • STOP, End
3	141630	1	• • CIRCUIT BREAKER, 15A 1 pole
4	141631	1	• • CIRCUIT BREAKER, 50A 3 pole
5	144184	1	• • TERMINAL BLOCK, 3 cond 8 AWG ground
6	144185	1	• • TERMINAL BLOCK, 3 cond 8 AWG through
7	141692	1	• • LABEL, Hazardous voltage
8	141704	1	• • LABEL, 50A Welder
9	144177	1	• • CABLE ASSEMBLY, 110V, generator
10	103041	1	• • CONNECTOR, Strain relief (blue)
11	104694	2	• • WASHER, Flat (#10)
12	155545	4	• • SCREW, Round head machine (#10-32 x 0.375")
13	163666	1	• • RAIL, Din
14	144176	1	• • WIRE ASSEMBLY, Ground
15	144178	2	• • WIRE SET, Jumper, generator
16	167427	1	• • CABLE ASSEMBLY, Generator to control box
17	163665	1	• • ENCLOSURE, Electrical
18	163660	1	• CABLE, Welder
19	(Ref.)	1	• OIL COOLER WIRING (For components, refer to Section 9.13)
20	(Ref.)	1	• UPPER CONTROL BOX GENERATOR WIRING (For components, refer to Section 9.23)
21	(Ref.)	1	• 12kW GENERATOR WIRING (For components, refer to Section 9.23)
22	103472	2	• WASHER, Flat (0.375")
23	103995	8	• WASHER, Flat (0.25")
24	103891	4	• BOLT, Hex head (0.25"-20 x 0.875" Grade 5)
25	115649	4	• NUT, Hex head nylon lock (0.25"-20 Grade 5)
26	103999	2	• WASHER, Lock (0.375")
27	167324	1	• BRACKET, Breaker mount
28	117430	2	• BOLT, Hex head (0.375"-16 x 1.25" Grade 5)
29	702613	1	• CONNECTOR, Strain relief (1-18" straight)

9.23 Generator Wiring - 12 kW

A - Generator Wire Assembly (Base Control Box)



B - Generator Wire Assembly (Platform Control Box)

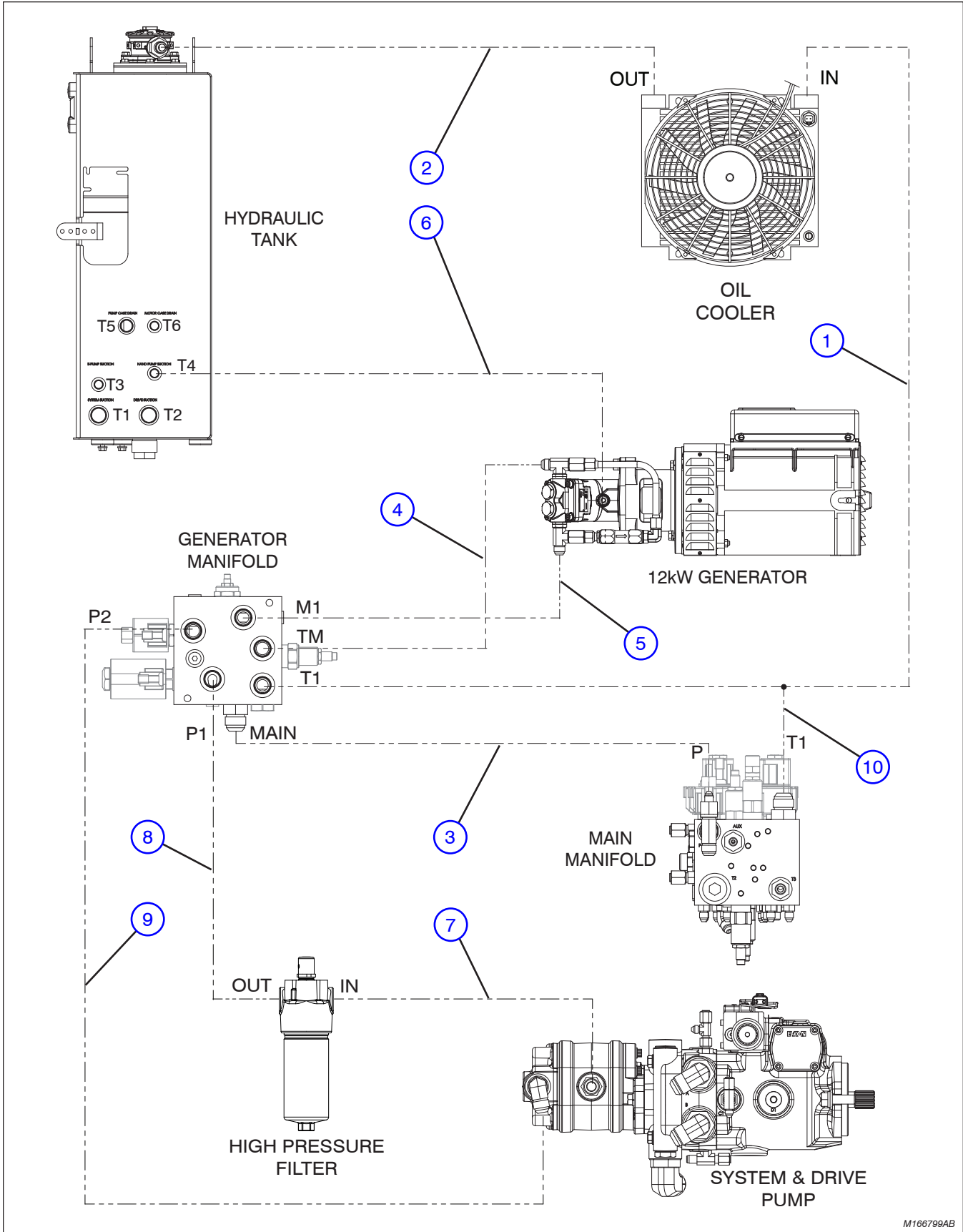


M169999AA, M169581AB

9.23 Generator Wiring - 12 kW

Index No.	Skyjack Part No.	Qty.	Description
A	169999	-	WIRE ASSEMBLY, Generator - base control box (46AJ ANSI/CSA)
1	116266	1	• CONNECTOR, Strain relief
2	137940	1	• TERMINAL BLOCK, 4 cond through
3	159938	1	• WIRE ASSEMBLY (85)
4	163093	2	• HARNESS, Generator valve
	117597	1	• • PLUG, Connector 2-pin
	117599	1	• • WEDGE, Connector plug 2-pin
	117591	2	• • SOCKET, Connector contact
5	102921	1	• DIODE 6A
6	137944	1	• LABEL, Terminal
7	113085	1	• MARKER, Wire - Brady
B	169581	1	WIRE KIT, Generator - upper control box (46AJ ANSI/CSA)
-	169587	1	• GENERATOR ANTI-START KIT
7	127131	1	• • RELAY, 12V 40 amp
8	138749	1	• • SOCKET, Relay
9	169477	1	• • WIRE ASSEMBLY (85)
10	169588	1	• • WIRE ASSEMBLY (78/85)
11	169479	1	• • WIRE ASSEMBLY (02)
12	169480	1	• • WIRE ASSEMBLY (57A)
13	169494	1	• • LABEL, Generator anti-start relay 57ACR1
14	137940	1	• • BLOCK, Terminal (4 cond through)
15	137942	1	• • JUMPER, 2-pin
16	144081	1	• WIRE ASSEMBLY, Generator (04)
17	144082	1	• WIRE ASSEMBLY, Generator (04A)
18	115747	1	• SWITCH, Toggle (1NT1-3)
19	144016	1	• SEAL, Toggle switch

9.24 Hydraulic Hose Connections - 12 kW Generator & Oil Cooler

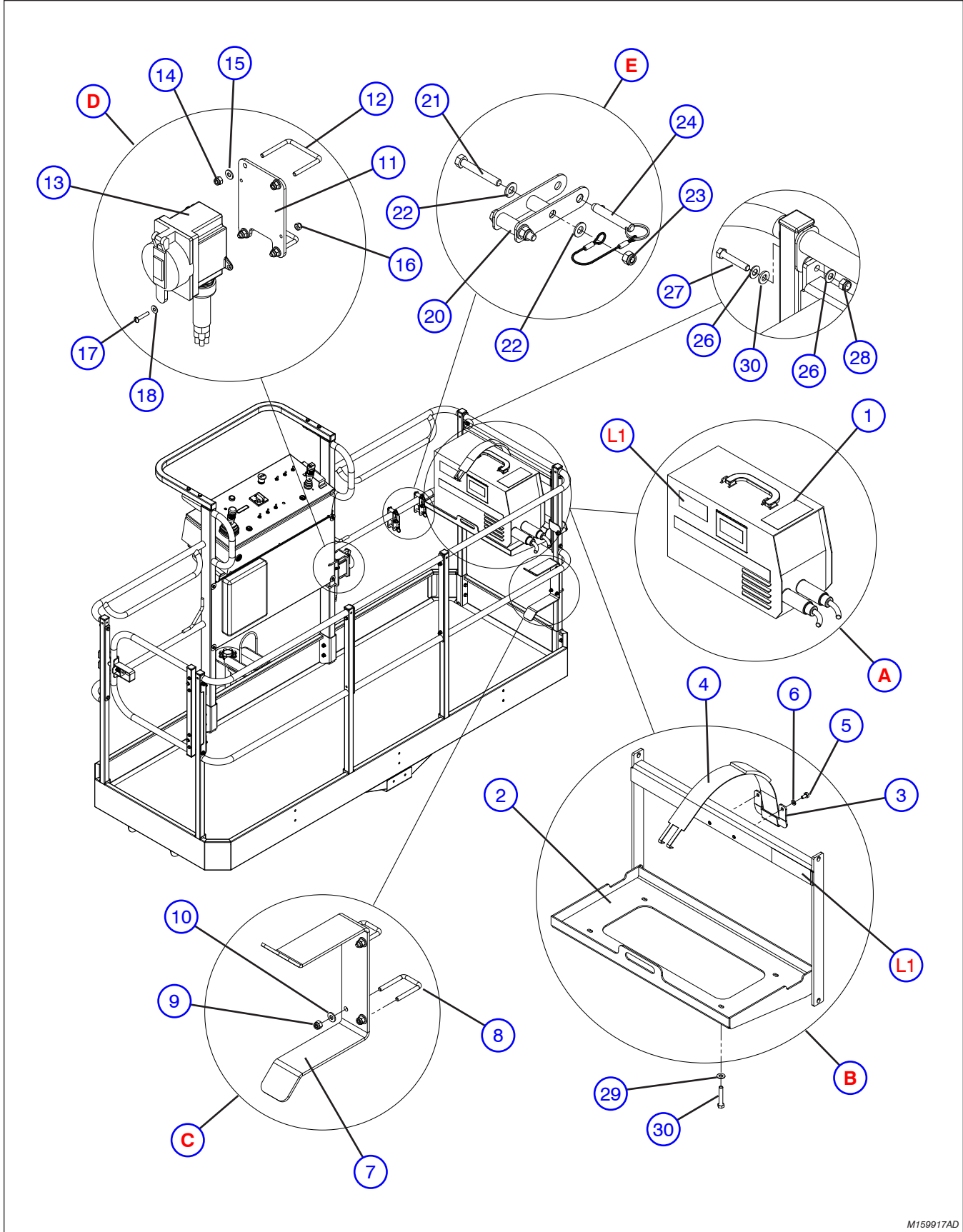


M166799AB

9.24 Hydraulic Hose Connections - 12 kW Generator & Oil Cooler

Index No.	Hose P/N	From		To		
		Description	Port	Port	Description	
-	166799	12 kW GENERATOR & OIL COOLER HOSE KIT (46AJ ANSI/CSA)				
1	H5412 0036 0	Generator Manifold	T1	IN	Oil Cooler	
2	H5412 0096 0	Return Filter	-	OUT	Oil Cooler	
3	H5112 0115 0	Generator Manifold	MAIN	P	Main Manifold	
4	H5410 0066 0	Generator Manifold	TM	-	Generator (Return)	
5	H5410 0062 0	Generator Manifold	M1	-	Generator (Pressure)	
6	H5408 0061 0	Hydraulic Tank	T4	-	Generator (Case Drain)	
7	H5410 0039 0	System Pump	-	IN	Pressure Filter	
8	H5410 0045 0	Generator Manifold	P1	OUT	Pressure Filter	
9	H5110 0053 0	Generator Manifold	P2	-	System Pump	
10	H5208 0046 0	Generator Manifold	T1	T1	Main Manifold	

9.25 Welder Option

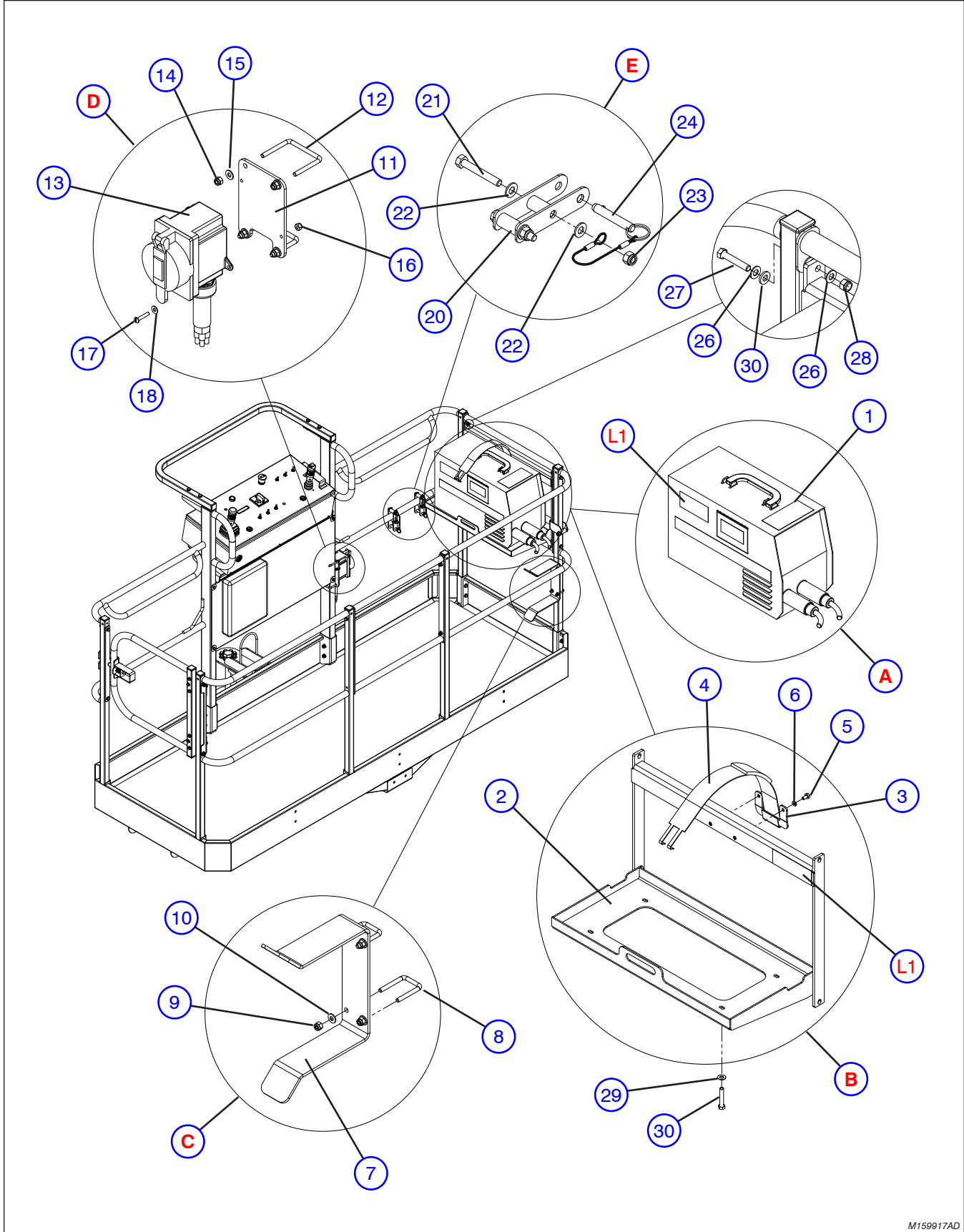


M159917AD

9.25 Welder Option

Index No.	Skyjack Part No.	Qty.	Description
A	148383	1	WELDER ASSEMBLY (46AJ ANSI/CSA)
1	138811	1	• WELDER (275A)
	138813	1	• CABLE, Electrode (14')
	144376	1	• • ELECTRODE HOLDER (400A)
	144573	168"	• • CABLE
	138814	1	• CABLE, Work (14')
	144377	1	• • GROUND CLAMP (400A)
	144573	168"	• • CABLE
	144374	1	• PLUG, Locking (50A / 250V / 3P)
	144603	2	• CLAMP, Cushioned loop (0.875" diameter)
L1	147112	2	• LABEL, Welder weight (90 lbs)
-	159917	1	MOUNTING ASSEMBLY, 12kW Welder
B	159948	1	• WELDER TRAY ASSEMBLY
2	159955	1	• • TRAY, Welder
3	137814	1	• • PLATE, Strap
4	103020	1	• • STRAPS (pair)
5	103855	2	• • BOLT, Hex head (1/4"-20 x 0.50", Grade 5)
6	104000	2	• • WASHER, Lock (1/4")
L1	147112	1	• • LABEL, Welder weight pictorial
C	144218	1	• BRACKET ASSEMBLY
7	144220	1	• • BRACKET, Welding cables
8	144219	2	• • U BOLT, Welder bracket
9	115649	4	• • NUT, Hex lock (1/4"-20 Grade 5, nylon)
10	103995	4	• • WASHER, Flat (1/4")
D	144221	1	• RECEPTACLE ASSEMBLY
11	144222	1	• • PLATE, Receptacle mounting
12	144223	2	• • U BOLT, Receptacle mounting
13	141614	1	• • ELECTRICAL COMPONENTS ASSEMBLY
	139835	1	• • • FD BOX, 50A Receptacle
	139832	1	• • • RECEPTACLE, Single locking
	139836	1	• • • COVER, Weather resistant
	144367	1	• • • STRAIN RELIEF, 1-18" straight
14	115649	4	• • NUT, Hex lock (1/4"-20 Grade 5, nylon)
15	103995	4	• • WASHER, Flat (1/4")
16	300450	5	• • NUT, Hex lock (#10-32 Grade 5, nylon)
17	105621	2	• • SCREW, Round head machine (#10-32 x 1")
18	104694	2	• • WASHER, Flat (#10)
			Parts list continued on the next page.

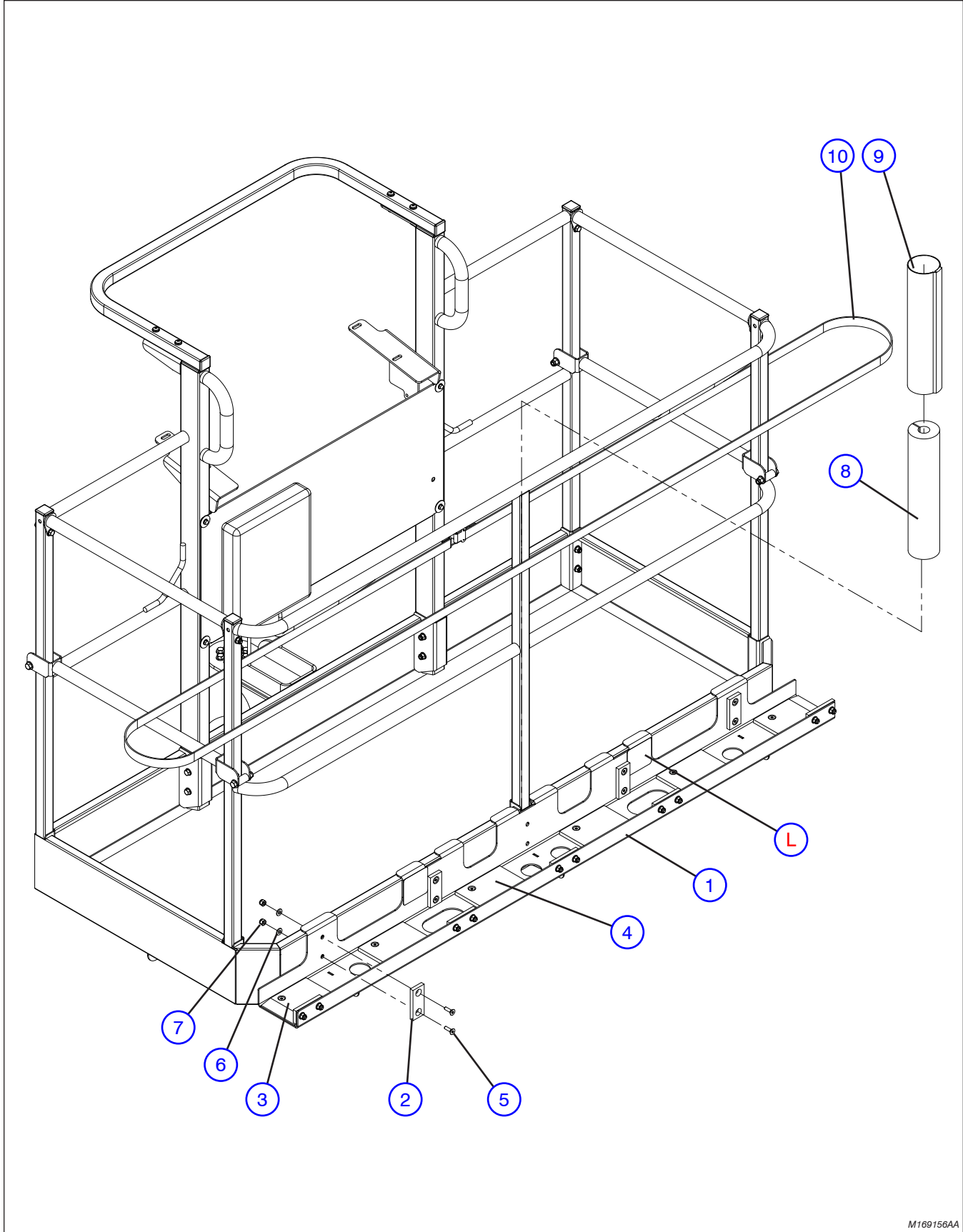
9.25 Welder Option (continued)



M159917AD

Index No.	Skyjack Part No.	Qty.	Description
Parts list continued on the next page.			
E	168530	1	• HANGER ASSEMBLY
19	169160	2	• • BRACKET, Welder cable
20	159947	2	• • SPACER, Welder tray
21	103866	2	• • BOLT, Hex head (5/16"-18 x 2 1/4 Grade 5)
22	103996	4	• • WASHER, Flat (5/16")
23	103984	2	• • NUT, Hex lock nylon lock (5/16"-18 Grade 5)
24	124548	1	• • PIN, Quick release
25	103996	8	• WASHER, Flat (5/16")
26	103884	4	• BOLT, Hex head (5/16"-18 x 2.50", Grade 5)
27	103984	4	• NUT, Hex head nylon lock (5/16"-18, Grade 5)
28	103995	4	• WASHER, Flat (1/4")
29	103857	4	• BOLT, Hex head (1/4"-20 x 1.00" Grade 5)
30	159960	2	• SPACER, Nylon (0.403" ID x 0.75" OD, x 0.312" long) (drop bar entrance)
	168336	2	• SPACER, Nylon (0.394" ID x 0.75" OD, x 0.125" long)

9.26 Glazier Tray

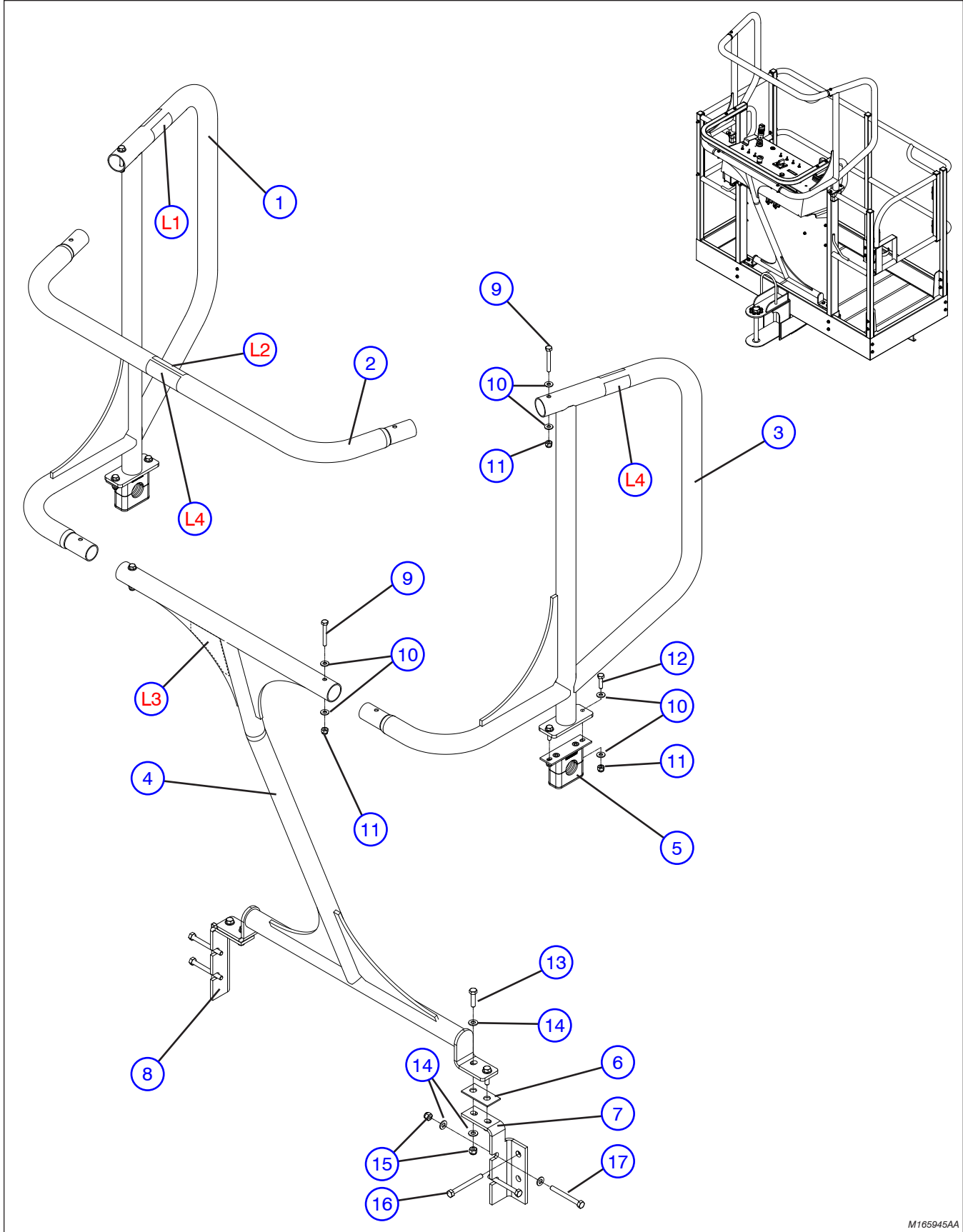


M169156AA

9.26 Glazier Tray

Index No.	Skyjack Part No.	Qty.	Description
-	169156	-	GLAZIER TRAY ASSEMBLY (ANSI/CSA)
-	169158	1	• ASSEMBLY, Glazier Tray
1	154402	1	• • WELDMENT, Glazier tray
2	154401	9	• • PAD, Wear - side tray
3	154399	2	• • PAD, Wear - end tray
4	154400	4	• • PAD, Wear - in tray
5	162116	30	• • SCREW, Flat socket head cap (5/16"-18 x 1.00", Grade 5)
6	103996	30	• • WASHER, Flat (5/16")
7	103984	30	• • NUT, Hex head nylon lock (5/16"-18, Grade 5)
8	144491	1	• FOAM, Support
9	144604	1	• COVER, Bumper
10	144613	1	• STRAP, Glazier kit
L	151182	2	• LABEL, Panel cradle capacity

9.27 SGM Assembly

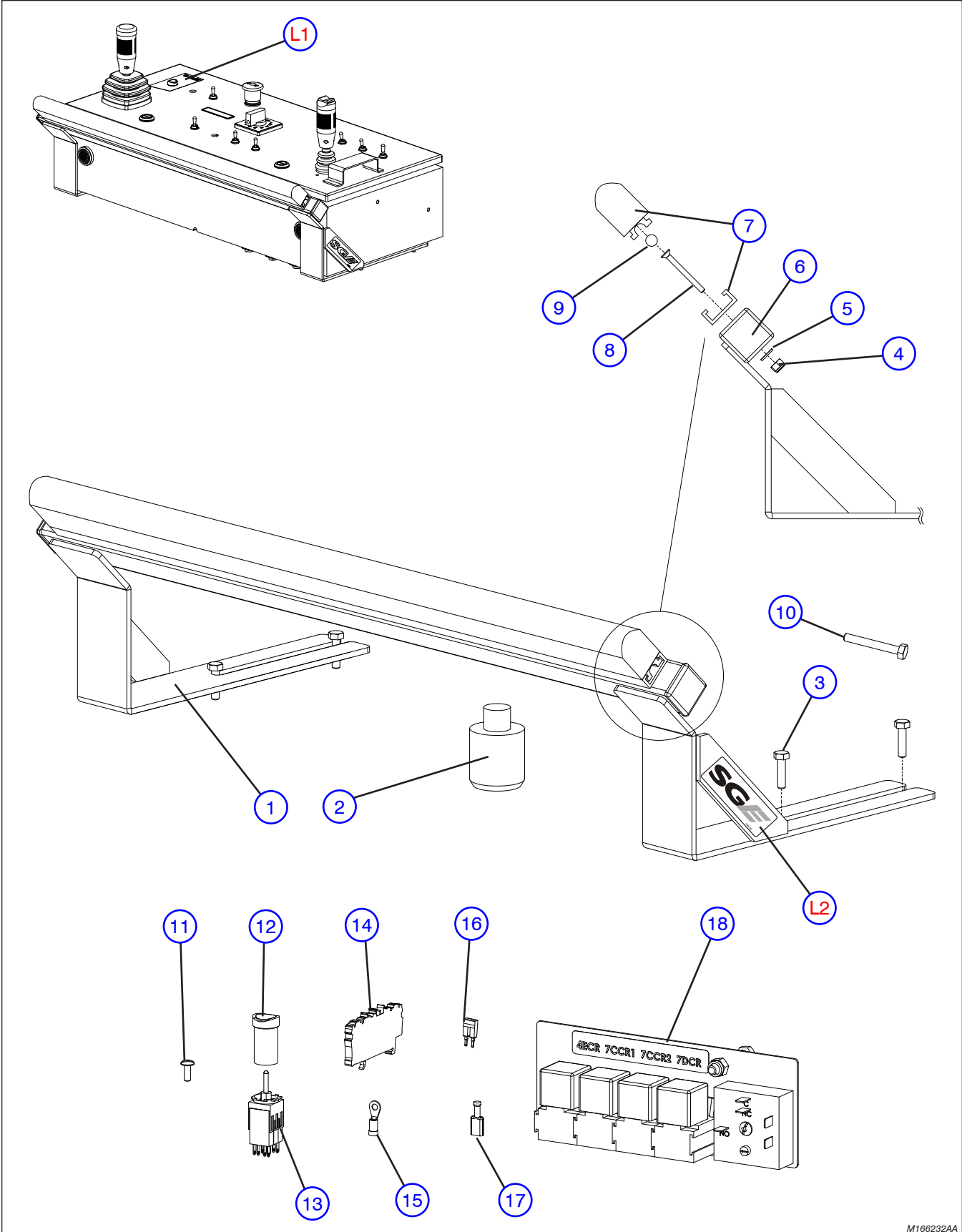


M165945AA

9.27 SGM Assembly

Index No.	Skyjack Part No.	Qty.	Description
-	165945	1	SGM ASSEMBLY (Secondary Guarding)
-	166585	1	SGM ASSEMBLY
1	166587	1	• WELDMENT, Structure, RH
2	166589	1	• TUBE
3	166586	1	• WELDMENT, Structure LH
4	166588	1	• WELDMENT, Structure, Mid
5	166708	2	• PIPE CLAMP KIT, 1.25" O.D. tube
6	166603	8	• SHIM (0.063")
7	166599	1	• BRACKET, Base, mount, LH
8	166600	1	• BRACKET, Base, mount, RH
9	103861	4	• BOLT, Hex head (1/4"-20 x 2.00", Grade 5)
10	103995	16	• WASHER, Flat (1/4")
11	115649	8	• NUT, Hex head nylon lock (1/4"-20, Grade 5)
12	103857	4	• BOLT, Hex head (1/4"-20 x 1.00", Grade 5)
13	112532	4	• BOLT, Hex head (5/16"-18 x 1.25", Grade 5)
14	166164	16	• WASHER, Flat (5/16" USS)
15	103984	8	• NUT, Hex head nylon lock (5/16"-18, Grade 5)
16	103868	4	• BOLT, Hex head (5/16"-18 x 3.50", Grade 5)
17	166829	4	• BOLT, Hex head (5/16"-18 x 2.75", Grade 5)
-	166817	1	LABEL ASSEMBLY SGM
L1	137988	2	• LABEL, Crush/pinch hazard
L2	166790	1	• LABEL, Capacity reduction SGM (small)
L3	166811	1	• LABEL, Capacity reduction SGM
L4	166808	3	• LABEL, SGM (black/grey)
-	165946	1	INSTALLATION INSTRUCTION, SGM (not shown)

9.28 SGE Assembly

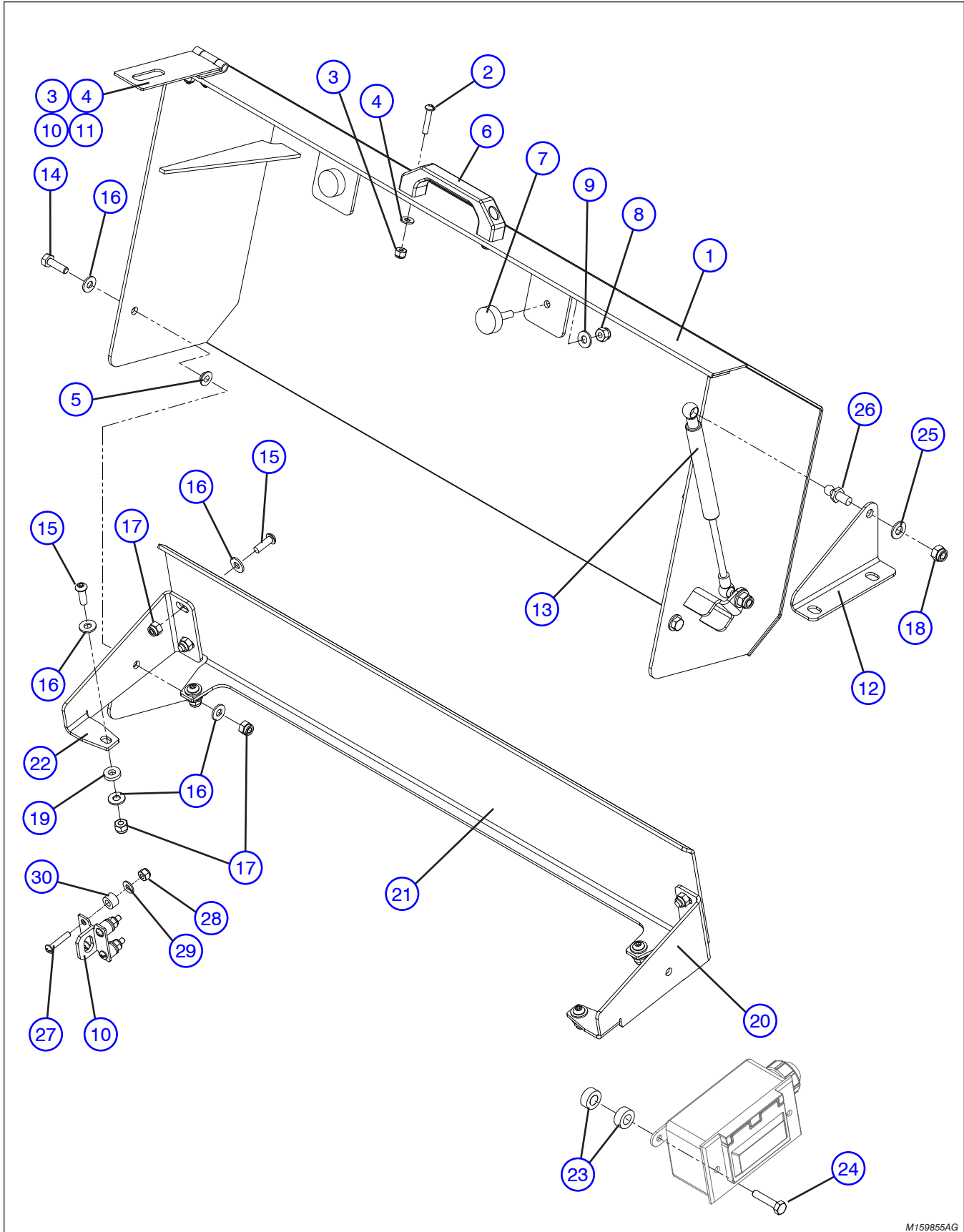


M166232AA

Index No.	Skyjack Part No.	Qty.	Description
-	166232	1	SGE ASSEMBLY (Secondary Guarding)
-	166106	1	SGE ASSEMBLY
1	166101	1	• SUPPORT ASSEMBLY, Sensing edge
2	166110	1	• ALARM/FLASHER, 12V, red LED
3	103857	4	• BOLT, Hex head (1/4"-20 x 1.00, Grade 5)
4	300450	3	• NUT, Hex head nylon lock (10-32, Grade 5)
5	104694	3	• WASHER, Flat (#10)
6	100702	2	• CAP, Plastic End
7	166107	1	• EDGE, Sensing with countersunk rail
8	166105	3	• BOLT, Flat head cap screw (10-32 x 1.75". Grade 5)
9	166104	1	• ROD, Sensing edge lock
10	103861	2	• BOLT, Hex head (1/4"-20 x 2.00, Grade 5) (ANSI/CSA)
11	167218	1	• SCREW, Machine slotted binding head (6-32 x 0.25")
-	166085	1	• ELECTRICAL ASSEMBLY, SGE
12	166087	1	• • PUSH BUTTON OPERATOR, Yellow flush spring return
13	166086	1	• • CONTACT BLOCK BODY, N/O, yellow LED 12-24V
14	137940	4	• • BLOCK, Terminal
15	102955	1	• • TERMINAL, Ring 14-16GA, #6 blue
16	137942	2	• • JUMPER, 2 pin
17	105359	2	• • TERMINAL, Female spade 14-16GA, insulated blue
18	166018	1	• • RELAY ASSEMBLY
	166112	1	• • • PLATE, Relay mounting
	138749	4	• • • SOCKET, Automotive relay
	164683	1	• • • TIMER, Delay on make 0.1-10.0 s
	127131	4	• • • RELAY
	163241	2	• • • SPACER
	103860	2	• • • BOLT, Hex head (0.25-20" x 1.75", Grade 5)
	115649	2	• • • NUT, Hex head nylon lock (0.25"-20, Grade 5)
	104003	3	• • • NUT, Hex head (10-32)
	115545	2	• • • SCREW, Socket head cap (10-32 x 0.375")
	105621	1	• • • SCREW, Round head machine (10-32 x 1.00")
	166026	1	• • • LABEL, Relay - secondary guarding
19	166032	1	• • WIRE ASSEMBLY, SGE (not shown)
20	166786	1	• • WIRE KIT, SGE Base control (not shown)
21	113719	8	• • TIEWRAP, 3-5/8" long black (not shown)
L1	166113	1	• LABEL, SGE (reset button)
L2	166756	2	• LABEL, SGE
-	167257	1	INSTALLATION INSTRUCTIONS, SGE (not shown) (ANSI/CSA)
-	165063	1	INSTALLATION INSTRUCTIONS, SGE (not shown) (CE & AS)

9.29 Platform Control Box Cover

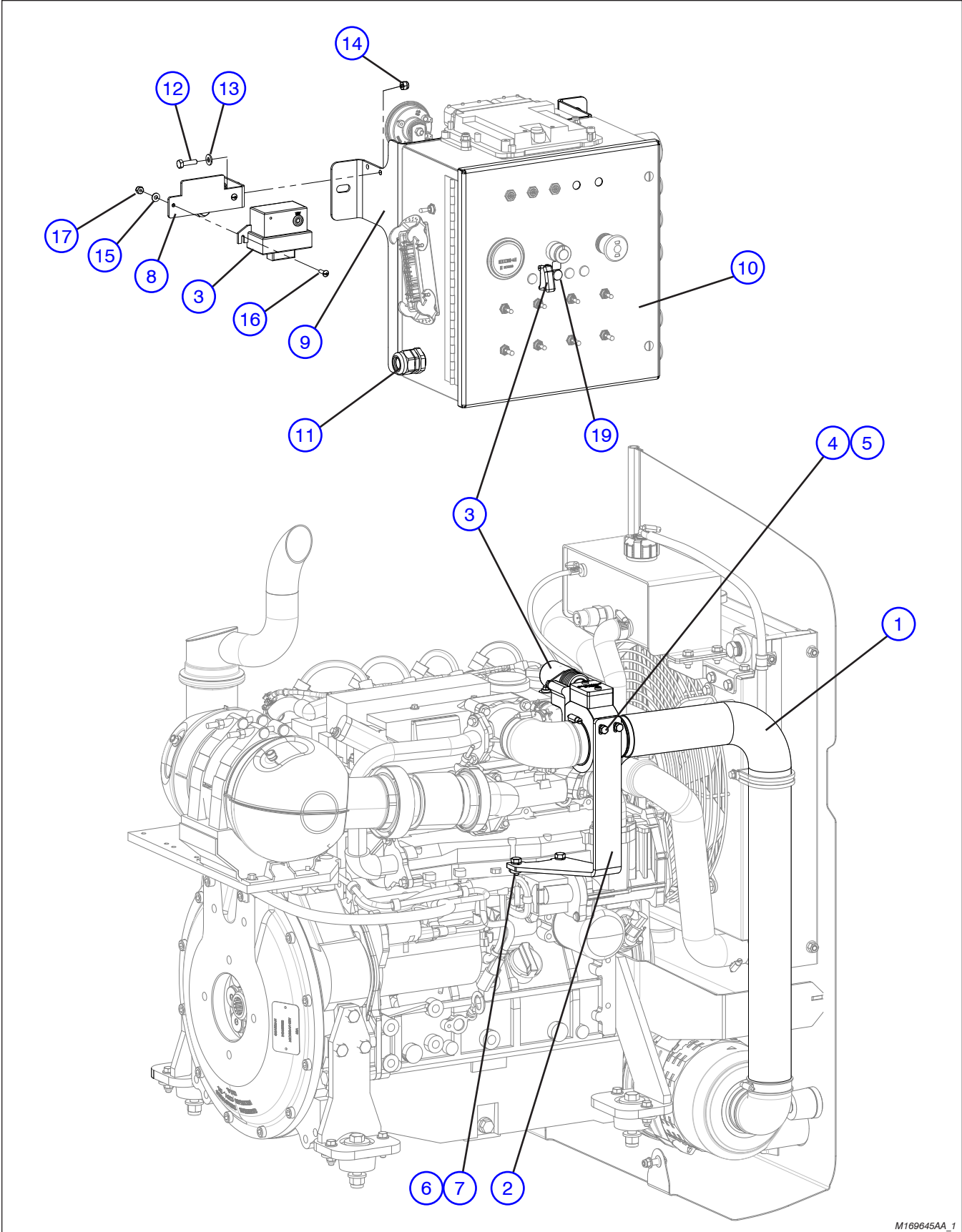
AC



M159855AG

Index No.	Skyjack Part No.	Qty.	Description
-	159855	-	CONTROL BOX COVER
-	159863	1	• COVER ASSEMBLY, Control box
1	159907	1	• • COVER, Control box
2	105621	2	• • SCREW, Round machine (#10-32 x 1")
3	300450	5	• • NUT, Hex lock (#10-32 Grade 5, nylon)
4	104694	5	• • WASHER, Flat (#10)
5	154305	2	• • BUSHING, Flanged (1/4" ID x 3/16")
6	137653	1	• • HANDLE, Pull
7	144015	2	• • MOUNT, Anti-vibration
8	115649	2	• • NUT, Hex lock (1/4"-20 Grade 5, nylon)
9	103995	2	• • WASHER, Flat (1/4")
10	157052	1	• • HASP, Padlock
11	167202	3	• • SCREW, Flat head machine (#10-32 x 0.75")
12	154323	1	• BRACKET, Gas spring
13	162101	1	• GAS SPRING, Control box cover
14	103891	2	• BOLT, Hex head (1/4"-20 x 7/8" Grade 5)
15	139168	8	• SCREW, Button head cap (1/4"-20 x 3/4")
16	103995	16	• WASHER, Flat (1/4")
17	115649	10	• NUT, Hex lock (1/4"-20 Grade 5, nylon)
18	103984	2	• NUT, Hex lock (5/16"-18 Grade 5, nylon)
19	159956	4	• WASHER, Rubber (1/4")
20	162048	1	• PLATE, Right side cover
21	162050	1	• PLATE, Back cover
22	162049	1	• PLATE, Left side cover
23	159960	4	• SPACER, (3/4" OD)
24	103858	2	• BOLT, Hex head (1/4"-20 x 1 1/4" Grade 5)
25	103996	2	• WASHER, Flat (5/16")
26	162123	2	• STUD, Ball (10mm x 0.54")
27	105621	4	• SCREW, Round head machine (#10-32 x 1.00")
28	300450	4	• NUT, Hex head nylon lock (#10-32, Grade 5)
29	104694	4	• WASHER, Flat (#10)
30	190020	4	• SPACER, Plastic (0.50" OD x 0.3125" long x 0.26" ID)
31	162078	1	• INSTRUCTION, Installation (not shown)

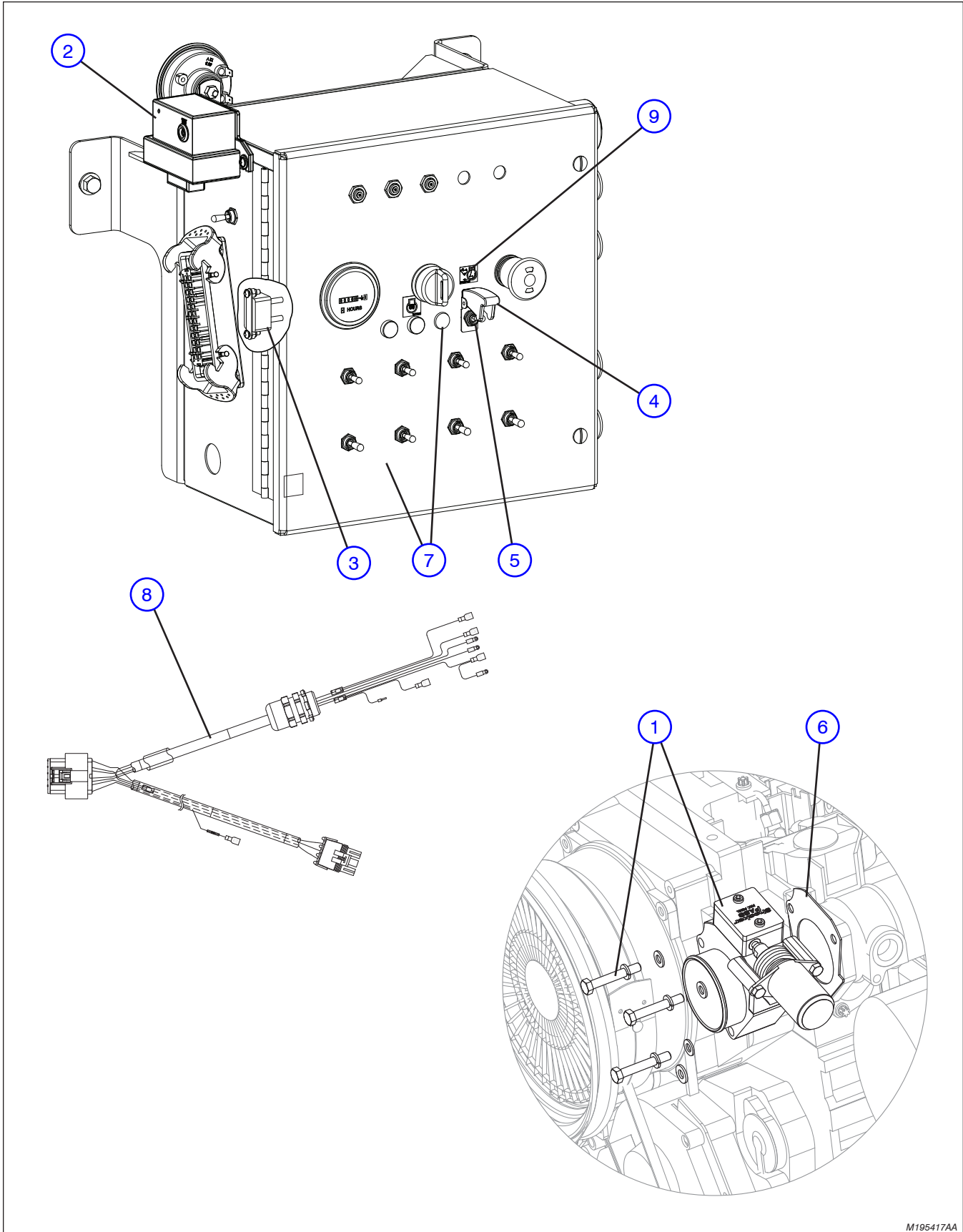
9.30 Positive Air Shutoff Option - Deutz D2.9L



M169645AA_1

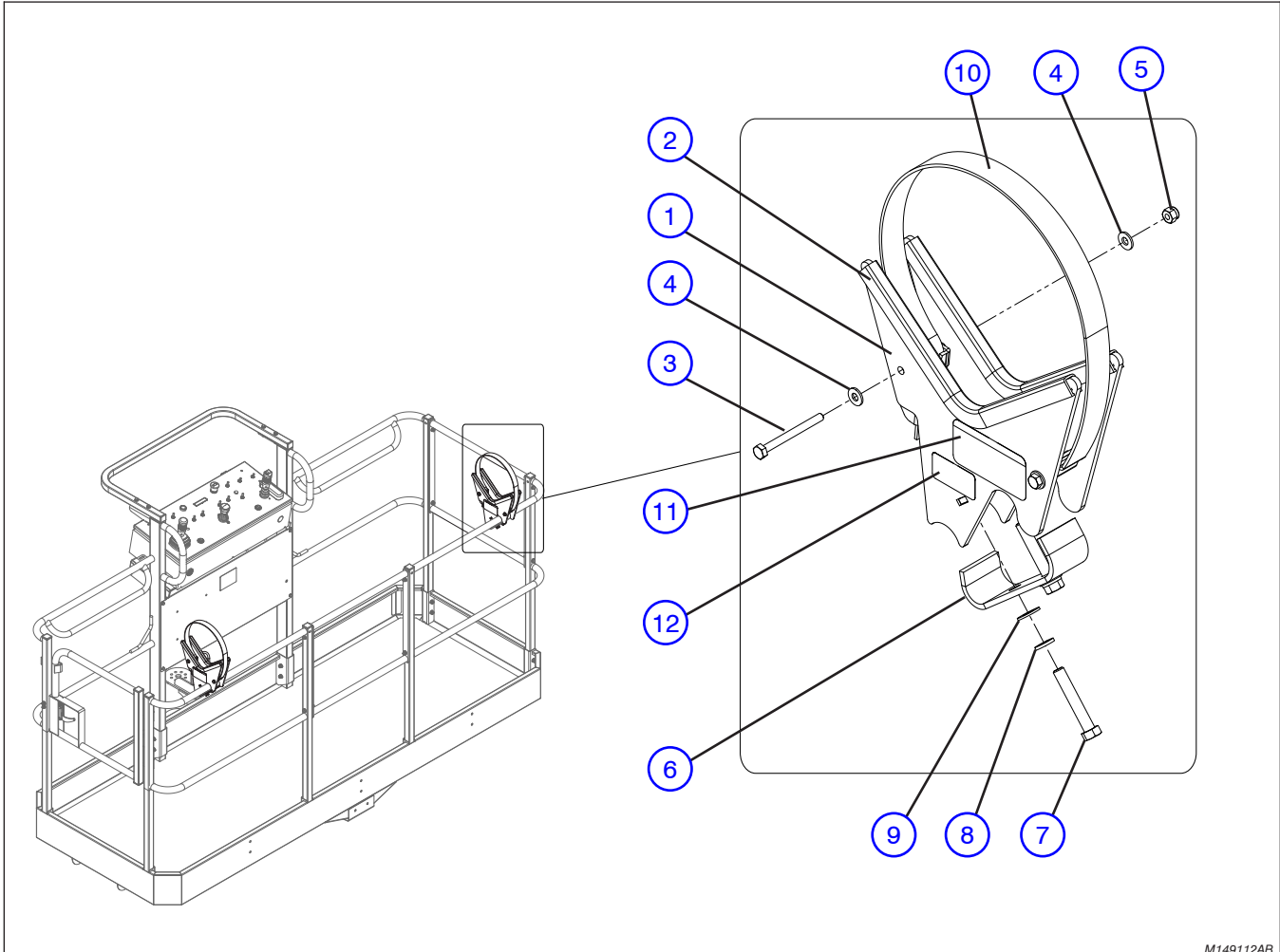
9.30 Positive Air Shutoff Option - Deutz D2.9L

Index No.	Skyjack Part No.	Qty.	Description
-	169645	-	POSITIVE AIR SHUTOFF VALVE (Deutz D2.9L)
-	169648	1	• ENGINE MODIFICATION - DEUTZ D2.9L
-	169649	1	• • MODIFICATION, Intake assembly
1	169650	1	• • • TUBE, Intake (modified)
2	169647	1	• • HOLDER, positive air shutoff
3	169646	1	• • PASS 2500, D2.9L
	115574	1	• • • SWITCH, Toggle (1NT1-2)
4	103856	2	• • BOLT, Hex head (0.25"-20 x 0.75", grade 5)
5	104000	2	• • WASHER, Lock (0.25")
6	116218	2	• • WASHER, Lock (M8 plated DIN 127B)
7	133174	2	• • BOLT, Hex head (M8 x 1.25 x 20mm, grade 5)
-	169651	1	• BASE CONTROLS MODIFICATION - D2.9L
8	169652	1	• • HOLDER, RL5- positive air option
9	169660	1	• • MODIFICATION, Lower control box mount
10	169653	1	• • MODIFICATION, Lower control box door
11	116266	1	• • CONNECTOR, Strain relief (PG21)
12	103857	2	• • BOLT, Hex head (0.25"-20 x 1.00", grade 5)
13	103995	2	• • WASHER, Flat (0.25")
14	115649	2	• • NUT, Hex head nylon lock (0.25"-20, grade 5)
15	104694	2	• • WASHER, Flat (#10)
16	120094	2	• • SCREW, Round head machine (10-32 x 0.625")
17	300450	2	• • NUT, Hex head nylon lock (10-32, grade 5)
18	169654	1	• • WIRING ASSEMBLY, PASV (not shown)
	169655	1	• • • HARNESS, PASV Deutz T4
	127131	1	• • • • RELAY, 12V 40 amp
	138749	1	• • • • SOCKET, Relay
	156114	1	• • • • CONNECTOR, 3F W/P
19	164832	1	• • • • LIGHT, Indicator 12V red
	169656	1	• • • HARNESS, PASV Secondary
	169657	1	• • • HARNESS, PASV Ground
	169658	1	• • • HARNESS, PASV RMP source
20	169923	1	• • LABEL, Positive air shutoff



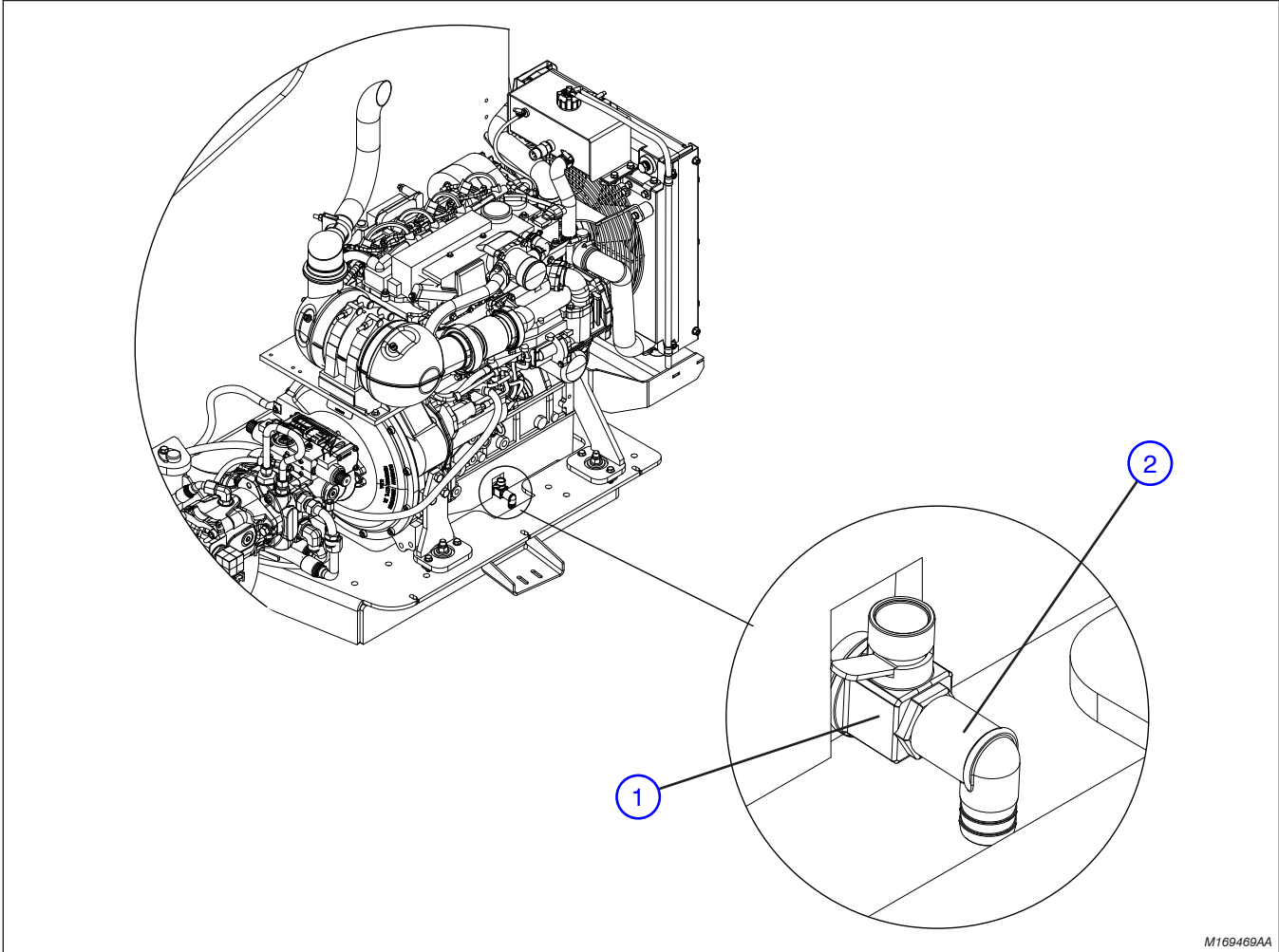
M195417AA

Index No.	Skyjack Part No.	Qty.	Description
-	195417	-	POSITIVE AIR SHUTOFF INSTALLATION (Deutz D2011)
1	195326	1	• VALVE, PASO - Deutz D2011
2	171821	1	• LIMITER, Automatic rev
3	171899	1	• BREAKER, Circuit - automatic
4	171826	1	• COVER, Toggle safety (red)
5	115574	1	• SWITCH, Toggle (1NT1-2)
6	195379	1	• GASKET, PASO - Deutz D2011
7	(Ref.)	1	BASE CONTROLS with Positive Air Shut-Off Option (Deutz D2011) (For components, refer to Section 4.21)
8	195144	1	• HARNESS, Positive air shutoff
9	169923	1	• LABEL, Positive air shutoff



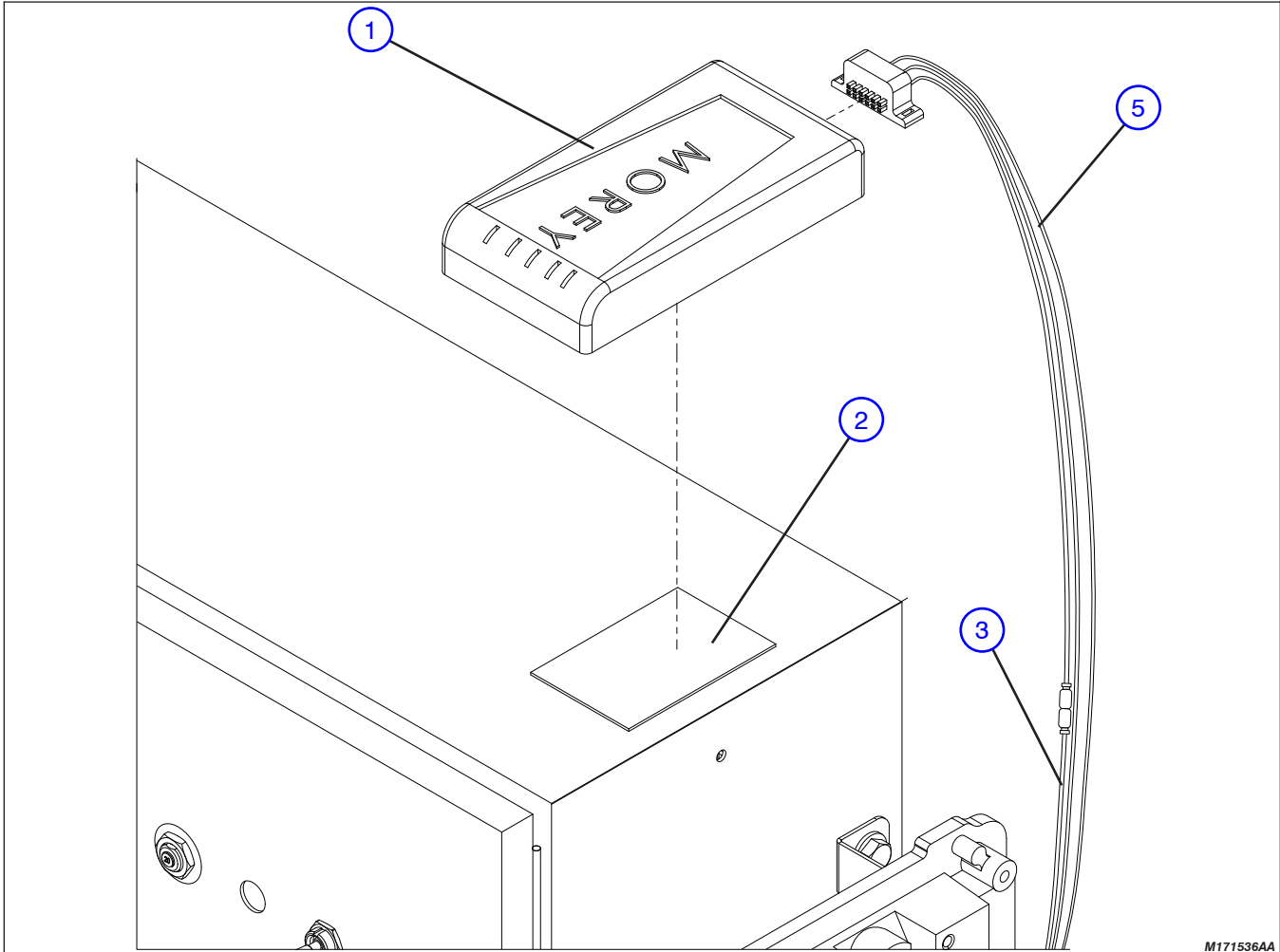
M149112AB

Index No.	Skyjack Part No.	Qty.	Description
-	149599	-	PIPE RACK
-	149112	1	• PIPE RACK ASSEMBLY
1	144495	1	• • WELDMENT, PIPE RACK
2	117398	48"	• • TRIM, Protective
3	144501	4	• • BOLT, Hex head (0.25"-20 x 2.75", Grade 5)
4	103995	8	• • WASHER, Flat (0.25")
5	115649	4	• • NUT, Hex head nylon lock (0.25"-20, Grade 5)
6	144499	2	• • PLATE, Pipe rack bottom
7	103872	4	• • BOLT, Hex head (0.375"-16 x 2.25", Grade 5)
8	103999	4	• • WASHER, Lock (0.375")
9	103472	4	• • WASHER, Flat (0.375")
10	144500	2	• • STRAP, Pipe rack
11	172383	2	• • LABEL, Pipe rack capacity
12	171239	2	• • LABEL, Capacity reduction
13	162725	1	• INSTRUCTION, Pipe rack installation (not shown)



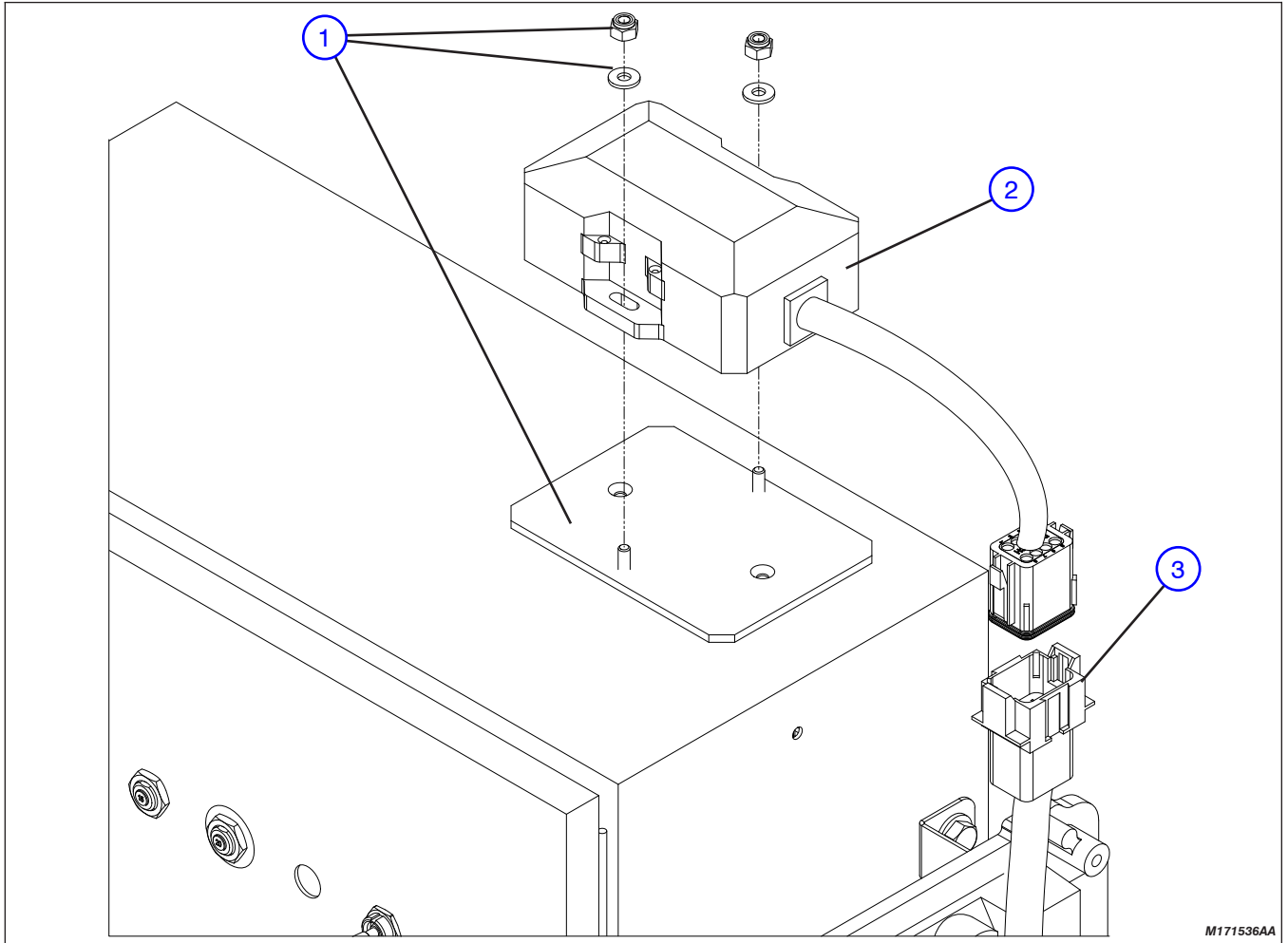
M169469AA

Index No.	Skyjack Part No.	Qty.	Description
A	169469	1	OIL QUICK DRAIN - Deutz Engines
B	171265	1	OIL QUICK DRAIN - Kubota Engines
1	167431	1	• VALVE, Oil drain, A
	170731	1	• VALVE, Oil drain, B
2	167432	1	• ELBOW, 90° oil drain, A



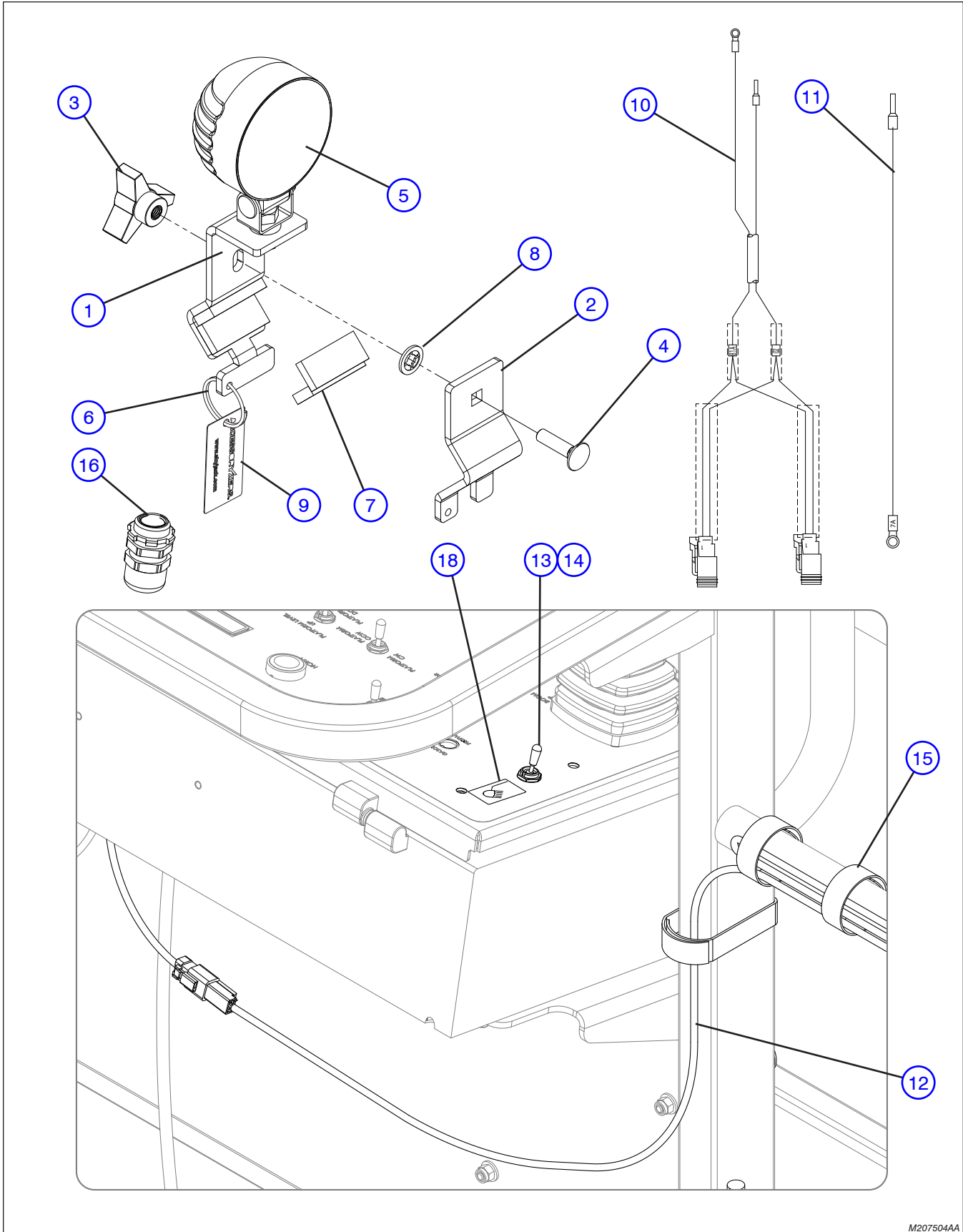
M171536AA

Index No.	Skyjack Part No.	Qty.	Description
-	194046	-	TELEMATICS, Morey MC-3
1	167761	1	• TELEMATICS, Morey MC-3
2	194008	1	• TAPE, VHB
-	171672	1	• WIRING, Telematics - Morey
3	171673	1	• • HARNESS, To master disconnect
4	127131	1	• • RELAY, 12 V, 40 amp (not shown)
5	167764	1	• • HARNESS, Telematics - Morey (3 wire)



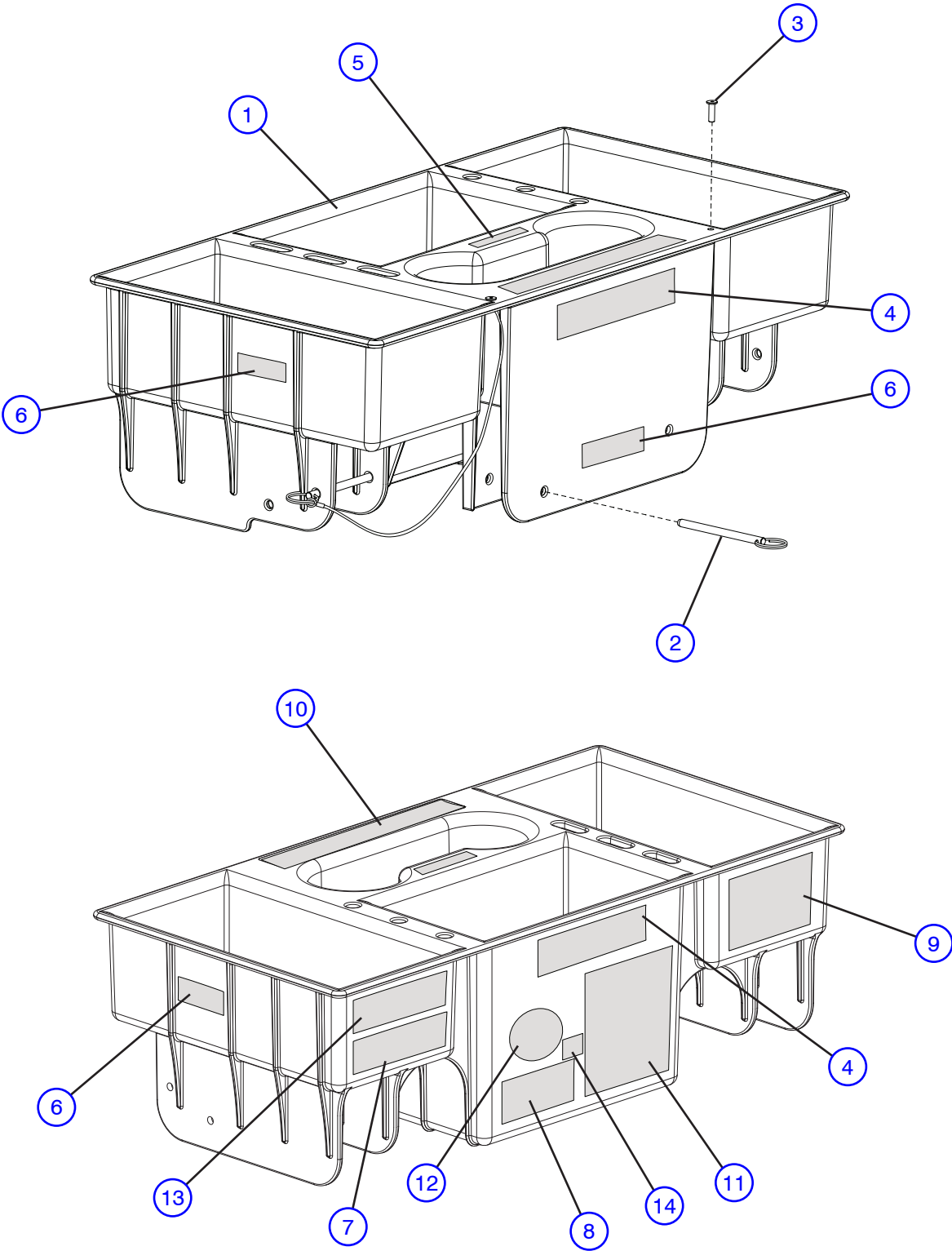
M171536AA

Index No.	Skyjack Part No.	Qty.	Description
-	171103	-	TELEMATICS, ZTR
1	170994	1	• MOUNTING KIT, M6 ZTR telematics
2	170995	1	• TELEMATICS, M6 ZTR with deutsch connector
3	171106	1	• HARNESS, Telematics - ZTR
	127131	1	• • RELAY, 12 V, 40 amp
	170999	1	• • HARNESS, Telematics



M207504AA

Index No.	Skyjack Part No.	Qty.	Description
-	207504	1	PLATFORM WORK LIGHTS FIELD KIT
-	165134	1	• WORK LIGHTS ASSEMBLY
-	208789	1	• • WORK LIGHTS ASSEMBLY
1	207672	2	• • • BRACKET, Inner - work light
2	207669	2	• • • BRACKET, Outer - work light
3	169005	2	• • • KNOB, Three arm (0.3125" threaded insert)
4	106049	2	• • • BOLT, Carriage (0.3125"-18 x 1.25" gr 5)
5	171888	2	• • • LAMP, Work
6	160320	2	• • • RING, Retaining
7	103628	14"	• • • RUBBER, Self seal
8	208790	2	• • • WASHER, Self-retaining
9	208935	2	• • • TAG, Accessoryzers
-	169002	1	• • WORK LIGHT ELECTRICAL ASSEMBLY
10	168634	1	• • • WIRE ASSEMBLY, Work light (toggle to e-stop and harness)
11	168635	1	• • • WIRE ASSEMBLY, Work light (terminal block to harness)
12	168637	2	• • • HARNESS, Work light
13	115574	1	• • • SWITCH, Toggle (1NT1-2)
14	144016	1	• • • SEAL, Toggle switch
15	149599	10	• • • TIE, Cable - velcro
16	103036	1	• • • CONNECTOR, Strain relief
17	168636	1	• • • WIRING DIAGRAM, Work light (not shown)
18	172305	1	• LABEL, Work light
19	208829	1	• INSTALLATION INSTRUCTION, Work lights (not shown)

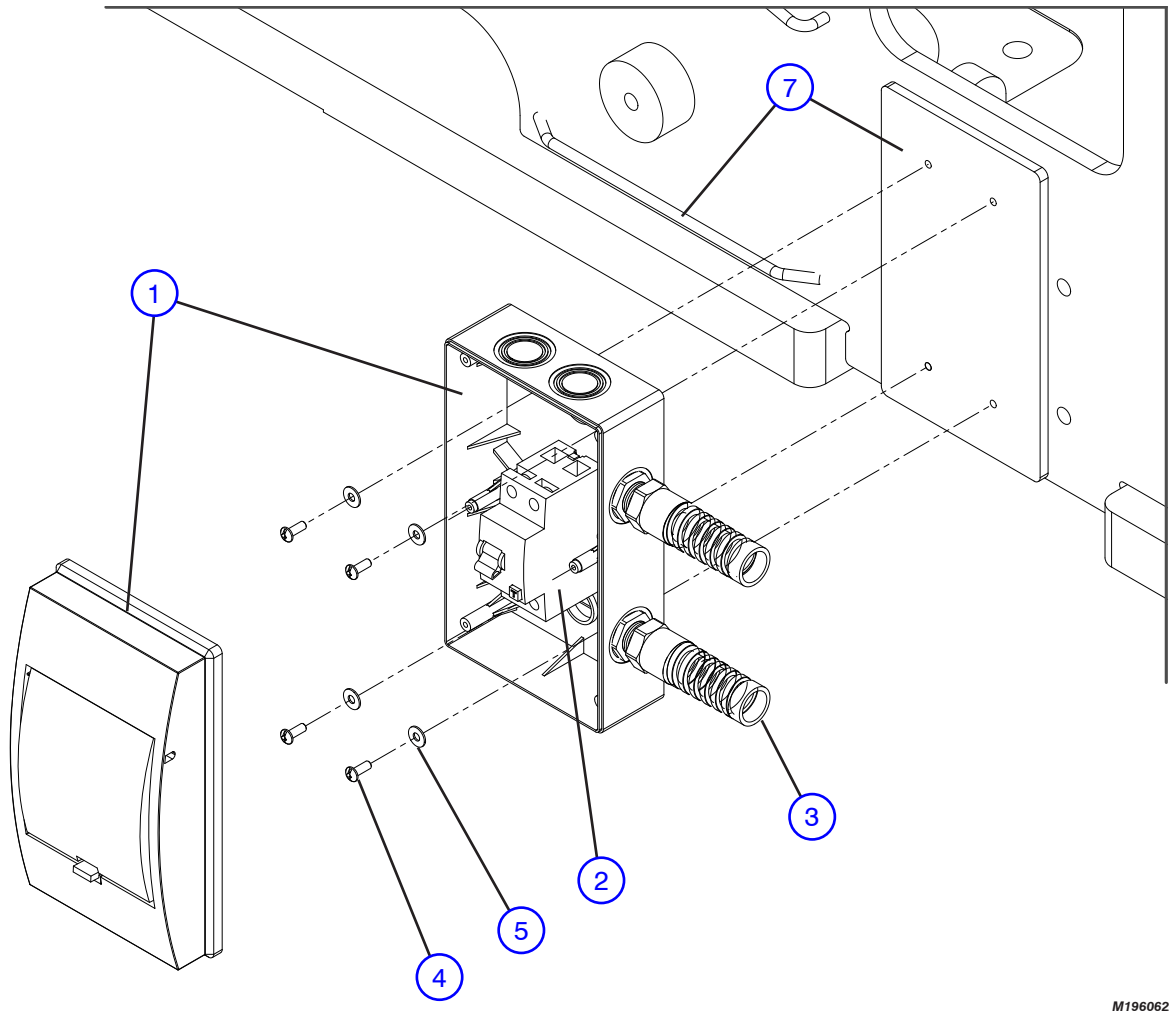


M204334AA_1

Index No.	Skyjack Part No.	Qty.	Description
-	211271	1	TOOL CADDY KIT
-	204334	1	<ul style="list-style-type: none"> • TOOL CADDY ASSEMBLY
1	198945	1	<ul style="list-style-type: none"> • • TOOL CADDY TRAY, Plastic (Std)
2	198965	2	<ul style="list-style-type: none"> • • PIN, Quick release 1/4x3.2 LG with Lanyard
3	116161	2	<ul style="list-style-type: none"> • • RIVET, Pop (0.1875" x 0.565")
4	172293	2	<ul style="list-style-type: none"> • • LABEL, Skyjack logo, 5" white
5	172294	1	<ul style="list-style-type: none"> • • LABEL, Skyjack logo, 3" white
6	168421	3	<ul style="list-style-type: none"> • • LABEL, Lock pin in place
7	172245	1	<ul style="list-style-type: none"> • • LABEL, Tool caddy weight
8	172246	1	<ul style="list-style-type: none"> • • LABEL, Tool caddy pin location
9	172247	1	<ul style="list-style-type: none"> • • LABEL, Tool caddy location
10	172292	1	<ul style="list-style-type: none"> • • LABEL, Accessoryzers, 8" white
11	172298	1	<ul style="list-style-type: none"> • • LABEL, Tool caddy models serial numbers
12	172299	1	<ul style="list-style-type: none"> • • LABEL, Do not block exit/entrance
13	172297	1	<ul style="list-style-type: none"> • • LABEL, Drive slowly when tool caddy is installed
14	172428	1	<ul style="list-style-type: none"> • • LABEL, CE mark
15	204306	1	<ul style="list-style-type: none"> • INSTRUCTIONS, Tool caddy installation (not shown)

9.38 Residual Current Device (RCD)

AD



M196062AB

Index No.	Skyjack Part No.	Qty.	Description
-	196062	-	RESIDUAL CURRENT DEVICE (RCD)
1	196027	1	• ENCLOSURE, RCD
2	168379	1	• RCCB, Type A - Doepke DFS 2A
3	158212	2	• RELIEF, Strain (PG-13.5)
4	103962	4	• SCREW, Round head machine (10-32 x 0.50")
5	117542	120"	• CABTIRE, 14/3 (not shown)
6	117952	4	• WASHER, Seal (0.203" ID x 0.50" OD x 0.40")
7	195056	1	• PLATE & BAR MODIFICATION, RCD

- 10.1 *Label Kits*
- 10.2 *Labels - Platform Control Box*
- 10.3 *Labels - Front & Back*
- 10.4 *Labels - Engine Side*
- 10.5 *Labels - Control Side*
- 10.6 *Engine Compartment Labels*
- 10.7 *Control Compartment Labels*
- 10.8 *Labels - Operator Platform*
- 10.9 *Fuel Labels*

Notes

10.1 Label Kits

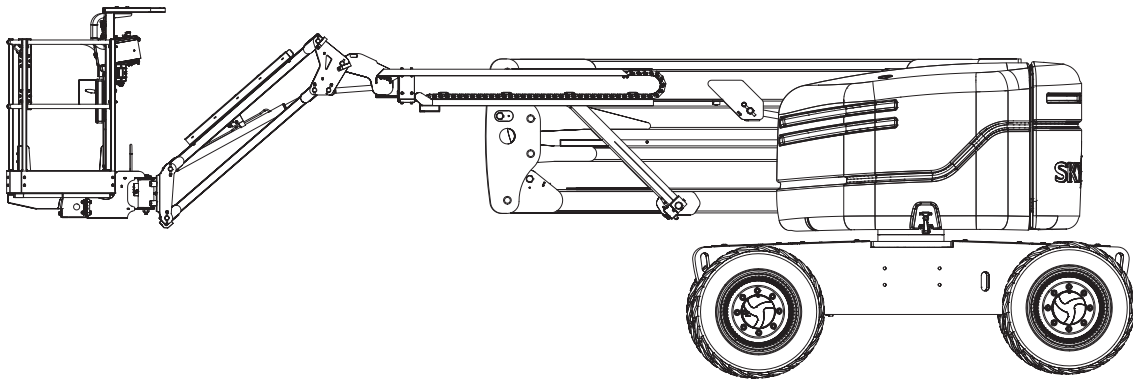
The following label kits are for models 46AJ and 51AJ. They contain labels that are common to both machines.

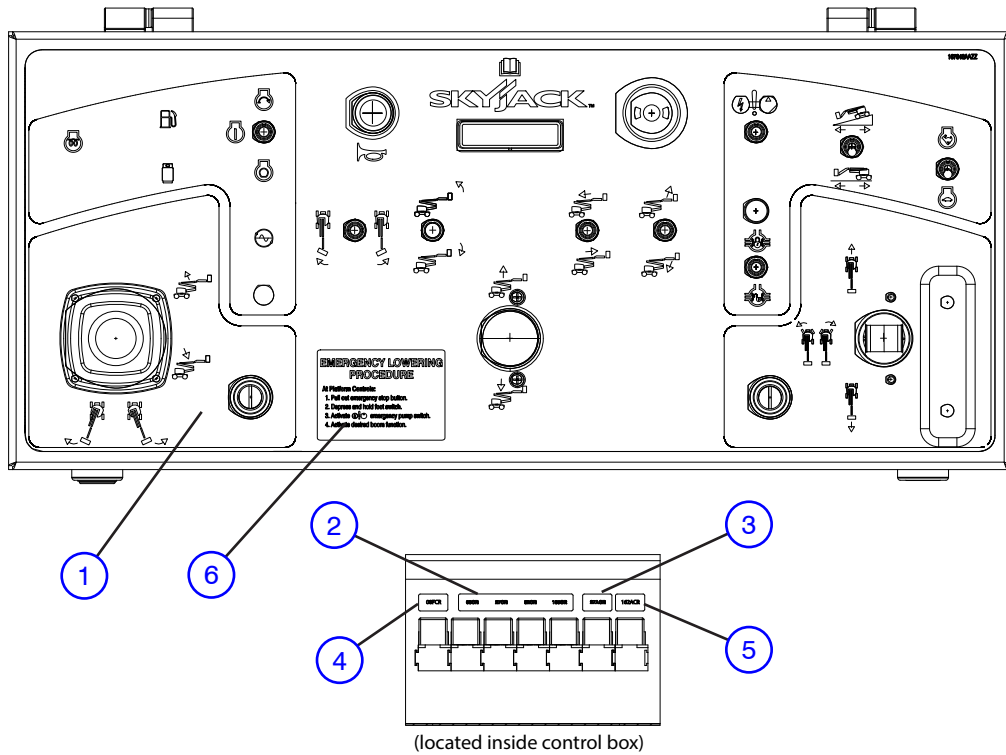
It excludes:

- Serial numbers
- Platform capacities
- Model designations
- Control box labels

Supply model number, country and language when ordering complete machine labels.

Label Kits			
MODELS	ANSI/CSA	CE	AS
	Part 166309	Part 166310	Part 166311
SJ 46AJ	95,000,657 & Above	95,000,657 & Above	95,000,657 & Above
SJ 51AJ	Not Used	95,000,657 & Above	95,000,657 & Above

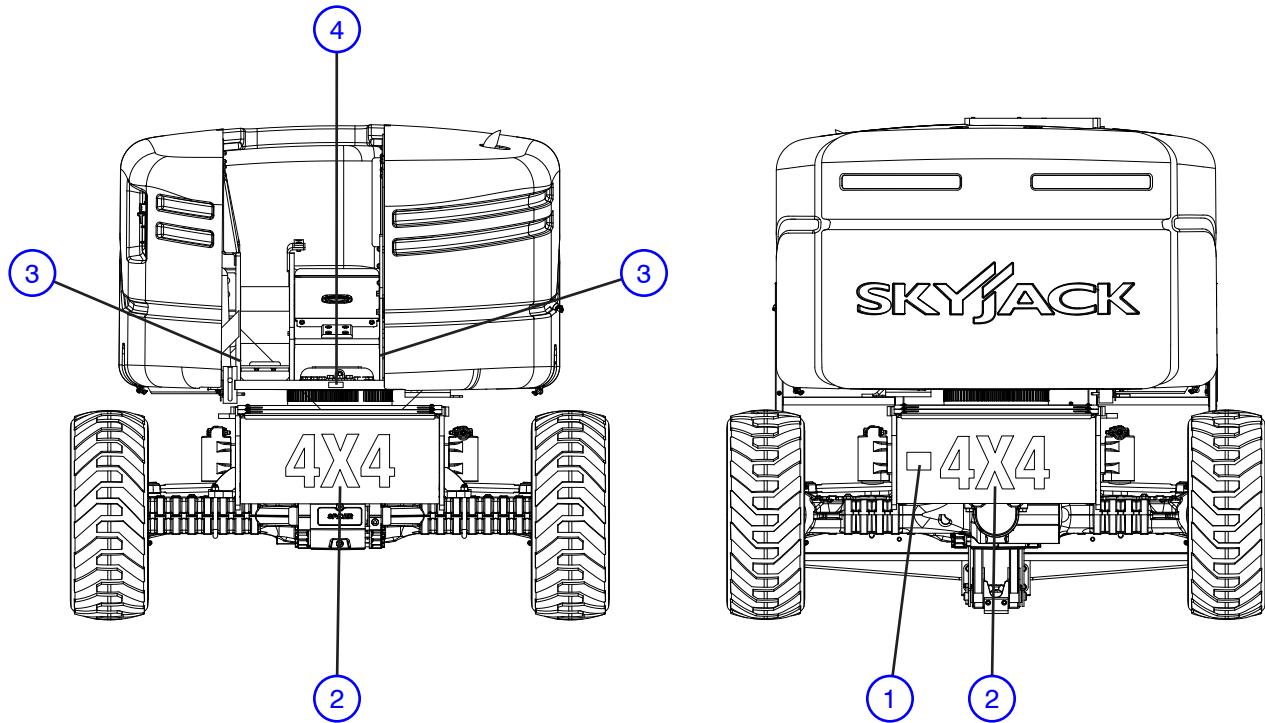




M168014AB

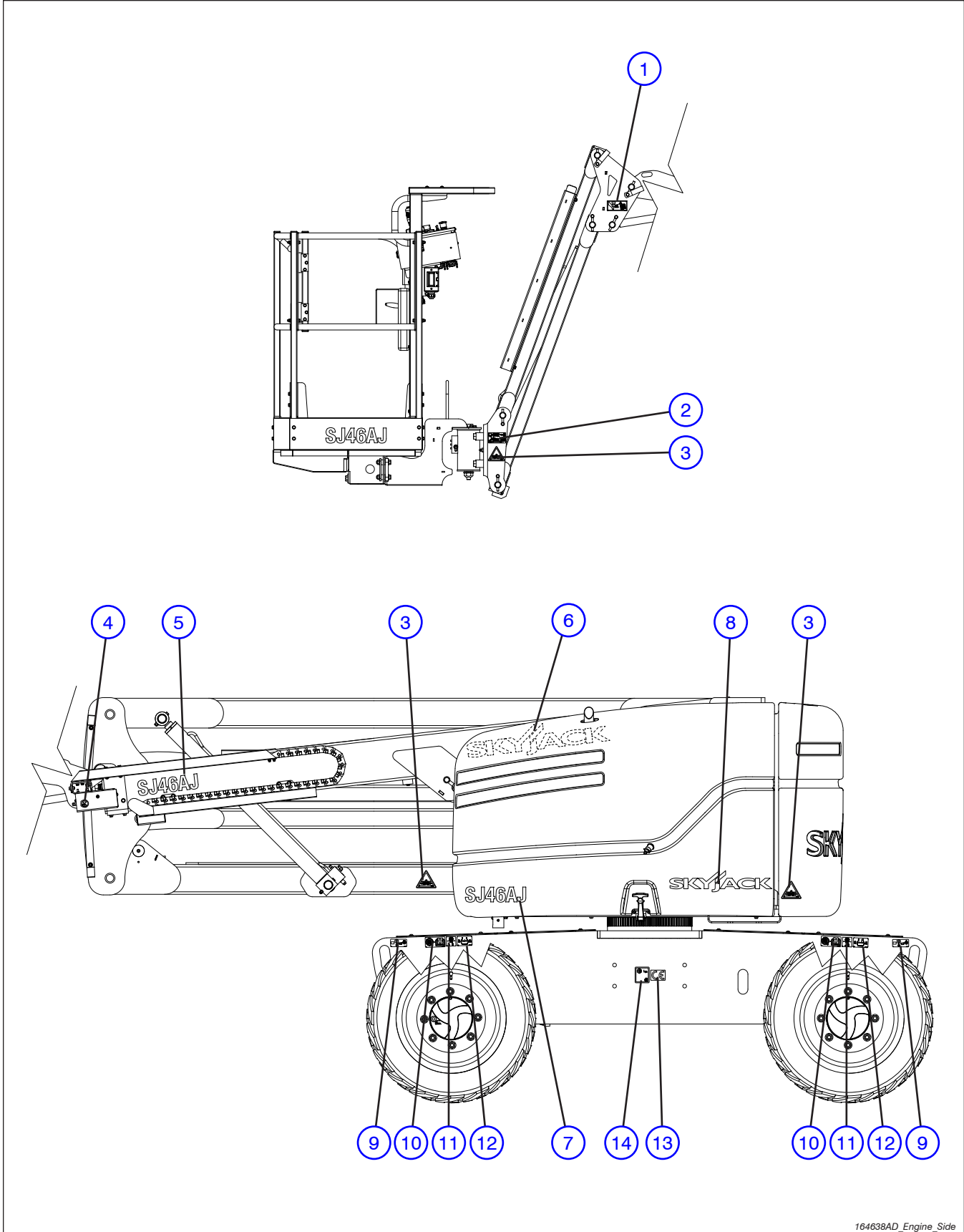
Index No.	Skyjack Part No.	Qty.	Description
A	168014	1	PLATFORM CONTROL BOX LABEL ASSEMBLY (ANSI/CSA)
B	170491	1	PLATFORM CONTROL BOX LABEL ASSEMBLY (CE)
C	169128	1	PLATFORM CONTROL BOX LABEL ASSEMBLY (AS)
1	167848	1	• LABEL, Platform controls
2	148980	1	• LABEL, Relay names
3	170505	1	• LABEL, Relay 26CR, B
	169111	1	• LABEL, Relay 27ACR, C
4	196461	1	• LABEL, Relay 08FCR
5	172214	1	• LABEL, Relay 162ACR, B, C
6	143813	1	LABEL, Emergency lowering at platform control (ANSI/CSA)
	147156	1	LABEL, Emergency lowering at platform controls (CE & AS)

10.3 Labels - Front and Back



PM - Front and Back AJ

Index No.	Skyjack Part No.	Qty.	Description
1	(Ref.)	1	LABEL, Serial plate (Not included in kit, please consult factory)
2	159509	2	LABEL, "4X4"
3	139314	2	LABEL, Body crush
4	138211	1	LABEL, Connect AC supply

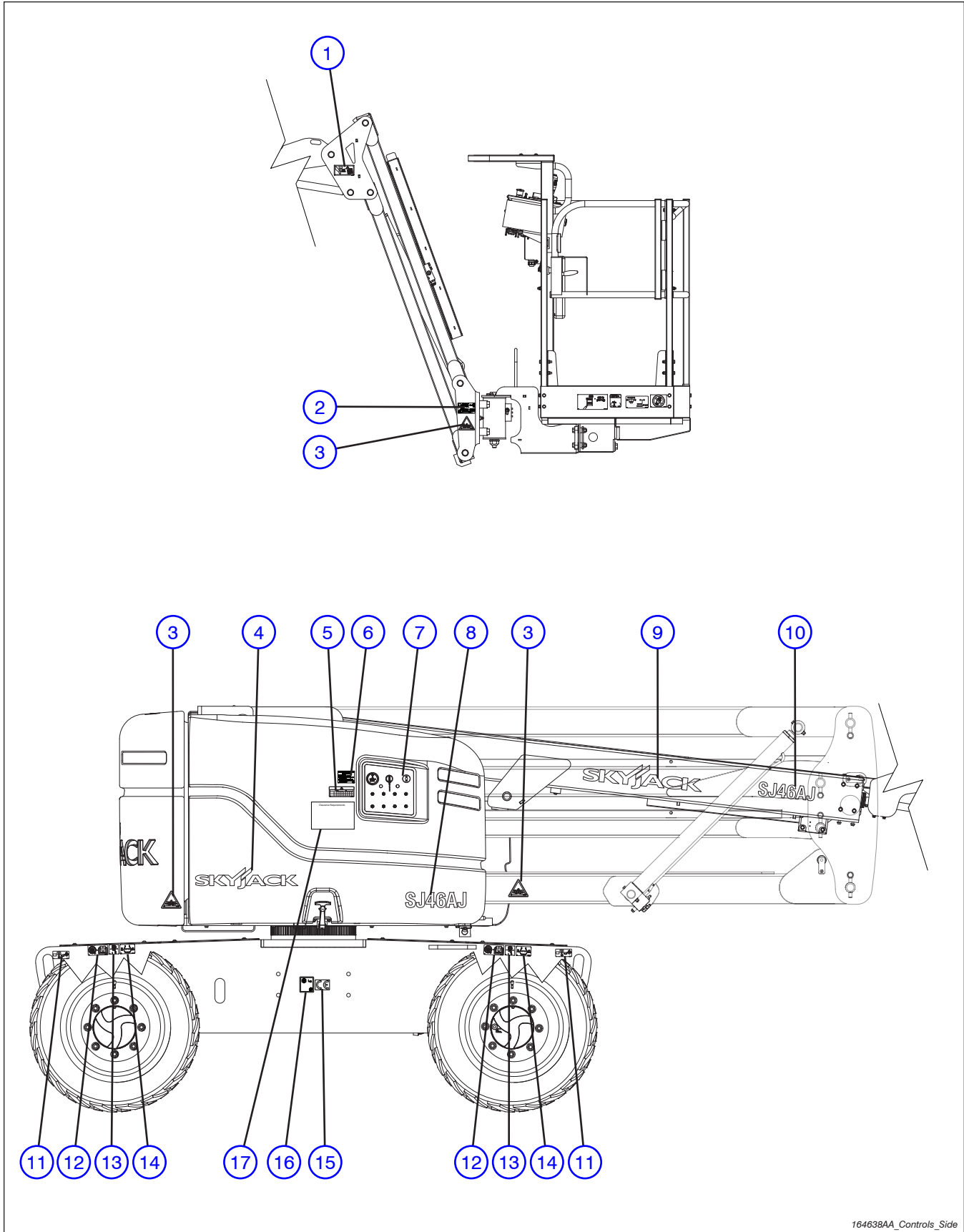


164638AD_Engine_Side

10.4 Labels - Engine Side

Index No.	Skyjack Part No.	Qty.	Description
1	137988	1	LABEL, Crush/Pinch point
2	147111	1	LABEL, Transportation tie down points (CE&AS)
3	139314	3	LABEL, Body crush
4	156613	1	LABEL, Do not alter
5	164785	1	LABEL, SJ46AJ (18") (Not included in kit)
	164780	1	LABEL, SJ51AJ (18") (Not included in kit)
6	158555	1	LABEL, Skyjack logo (29")
7	164637	1	LABEL, SJ46AJ (12") (Not included in kit)
	164632	1	LABEL, SJ51AJ (12") (Not included in kit)
8	158554	1	LABEL, Skyjack logo
9	124767	2	LABEL, Tie down/lift lugs
10	124631	2	LABEL, Wheel info
11	169381	2	LABEL, Wheel load 3315 kg/ lb (Model 46AJ) (Not included in kit)
	169382	2	LABEL, Wheel load 3640 kg/8025 lb (Model 51AJ) (Not included in kit)
12	142125	2	LABEL, Tire pressure (65 psi) (Standard air tires) (Not included in kit)
	402156	2	LABEL, Tire pressure (80 psi) (Non-marking air tires) (Not included in kit)
	144310	2	LABEL, Tire pressure (50 psi) (High flotation air tires) (Not included in kit)
	142384	2	LABEL, Foam filled tire (Foam tires) (Not included in kit)
13	117023	1	LABEL, "CE" mark (CE)
14	128226	1	LABEL, Sound power level (CE&AS) (For components, refer to Section 10.1)

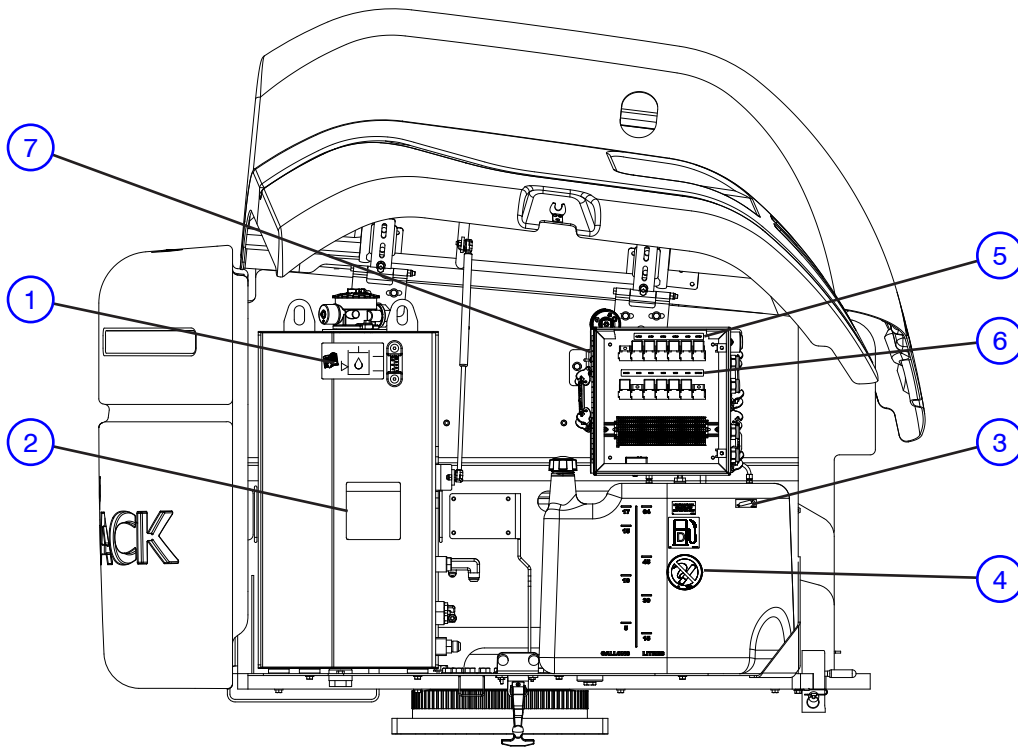
10.5 Labels - Controls Side



164638AA_Controls_Side

10.5 Labels - Controls Side

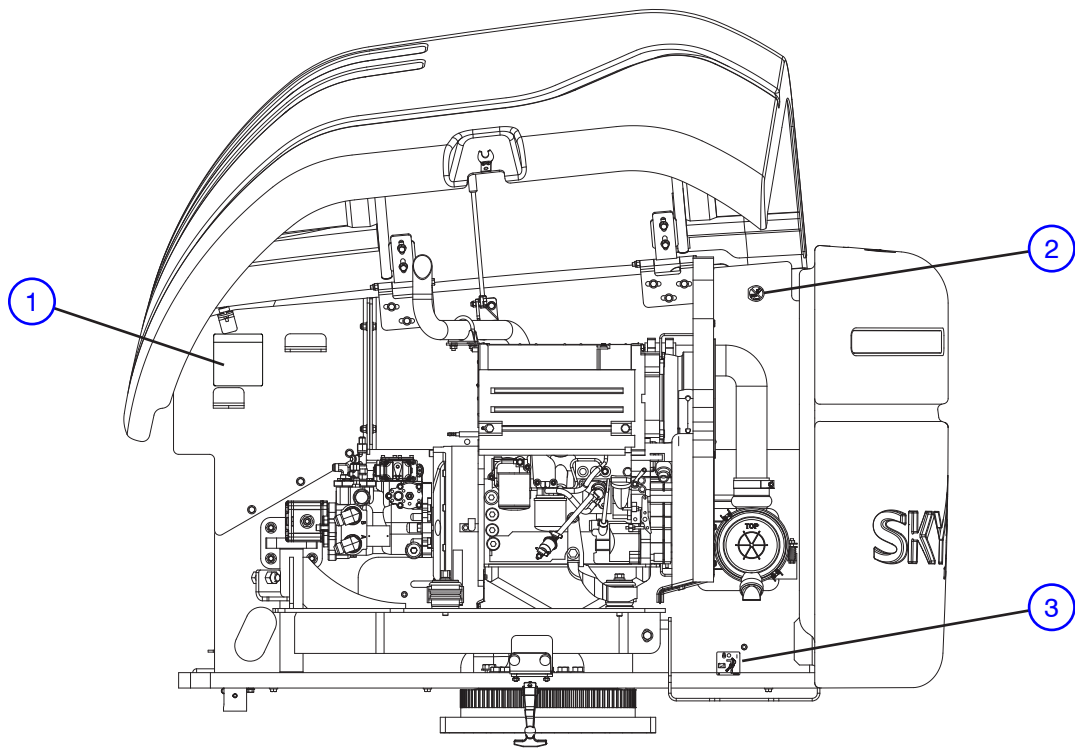
Index No.	Skyjack Part No.	Qty.	Description
1	137988	1	LABEL, Crush/Pinch point
2	147111	1	LABEL, Transportation tie down points (CE&AS)
3	139314	3	LABEL, Body crush
4	158554	1	LABEL, Skyjack logo
5	156441	1	LABEL, Annual inspection
6	147100	1	LABEL, Emergency lowering at base controls
7	148976	1	LABEL, Base control (GM or Deutz D2011 engines - ANSI/CSA & AS)
	170776	1	LABEL, Base control (Deutz D2011 engine - CE)
	164945	1	LABEL, Base control (Deutz D2.9L engine - ANSI/CSA) (Base control label not included in label kit)
8	164637	1	LABEL, SJ46AJ (12") (Not included in kit)
	164632	1	LABEL, SJ51AJ (12") (Not included in kit)
9	158555	1	LABEL, Skyjack (29")
10	164785	1	LABEL, SJ46AJ (18") (Not included in kit)
	164780	1	LABEL, SJ51AJ (18") (Not included in kit)
11	124767	2	LABEL, Tie down/lift lugs
12	124631	2	LABEL, Wheel info
13	169381	2	LABEL, Wheel load 3315 kg/ lb (Model 46AJ) (Not included in kit)
	169382	2	LABEL, Wheel load 3640 kg/8025 lb (Model 51AJ) (Not included in kit)
14	142125	2	LABEL, Tire pressure (65 psi) (Standard air tires) (Not included in kit)
	402156	2	LABEL, Tire pressure (80 psi) (Non-marking air tires) (Not included in kit)
	144310	2	LABEL, Tire pressure (50 psi) (High flotation air tires) (Not included in kit)
	142384	2	LABEL, Foam filled tire (Foam tires) (Not included in kit)
15	117023	1	LABEL, "CE" mark (CE)
16	128226	1	LABEL, Sound power level (CE&AS)
17	161631	1	LABEL, Power line clearance (AS) (Not included in kit) (For components, refer to Section 10.1)



M167880AAZZ_CC

Index No.	Skyjack Part No.	Qty.	Description
1	146016	1	LABEL, Hydraulic oil level (min/max)
2	161139	1	LABEL, Winch/Tow procedure
3	152230	1	LABEL, Grease point
4	138146	1	LABEL, No smoking
5	164821	1	LABEL, Relay names - upper (Deutz D2.9L engine)
	148977	1	LABEL, Relay names - upper (Deutz D2011, GM & Kubota engines)
6	164822	1	LABEL, Relay names - lower (Deutz D2.9L engine)
	148978	1	LABEL, Relay names - lower (Deutz D2011, GM & Kubota engines - ANSI/CSA & AS)
	170779	1	LABEL, Relay names - lower (Deutz D2011 engine - CE)
7	149461	1	LABEL, Engine fault switch

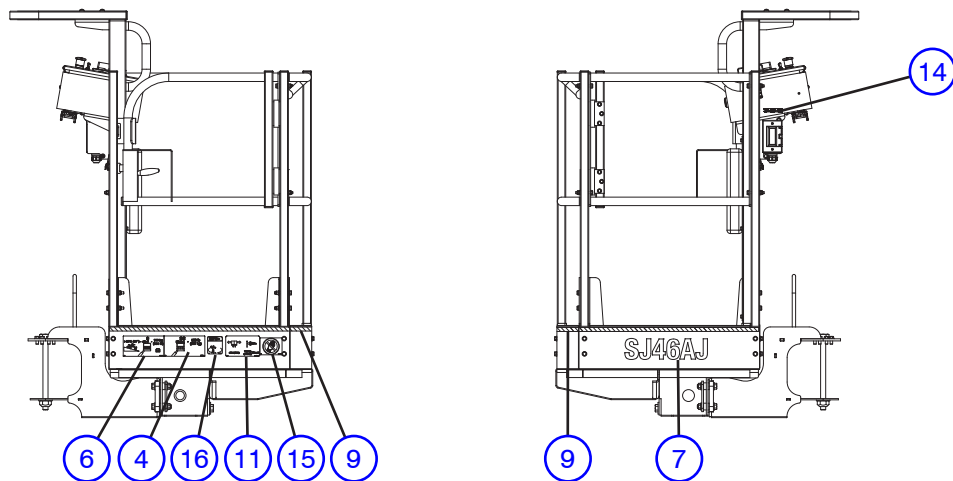
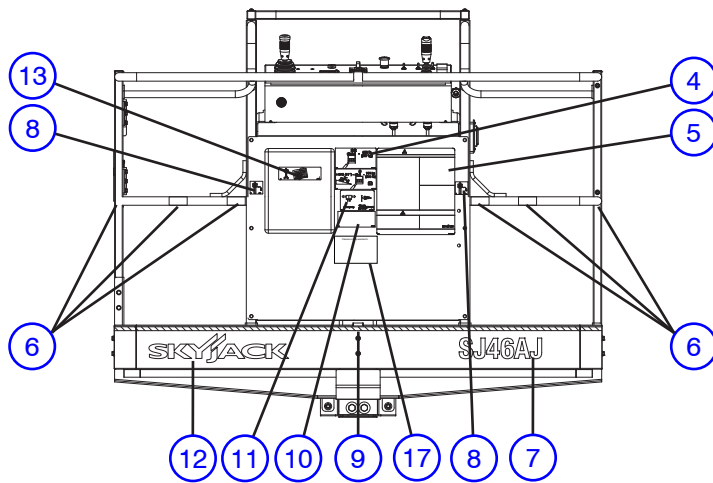
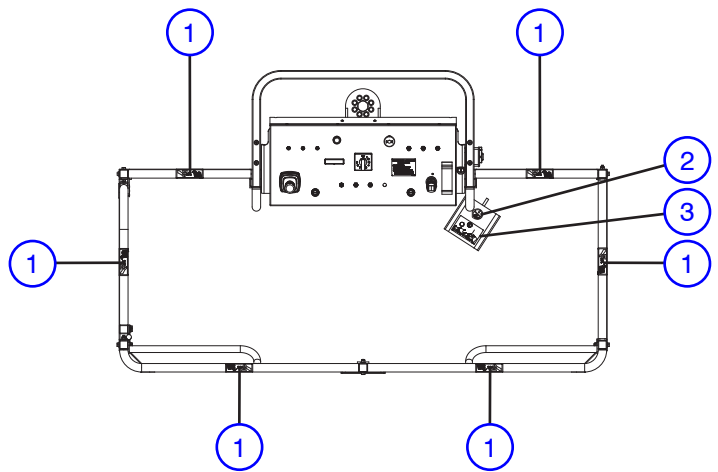
10.7 Labels - Engine Compartment



PM - Engine Compartment AJ

Index No.	Skyjack Part No.	Qty.	Description
1	161139	1	LABEL, Winch/Tow procedure
2	156613	1	LABEL, Do not alter
3	119674	1	LABEL, Battery disconnect switch

10.8 Labels - Operator Platform

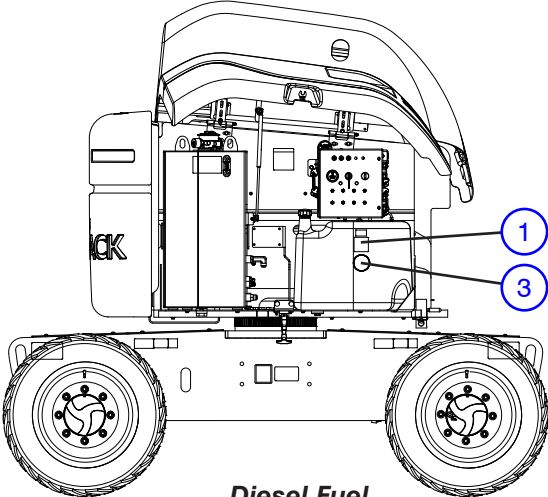
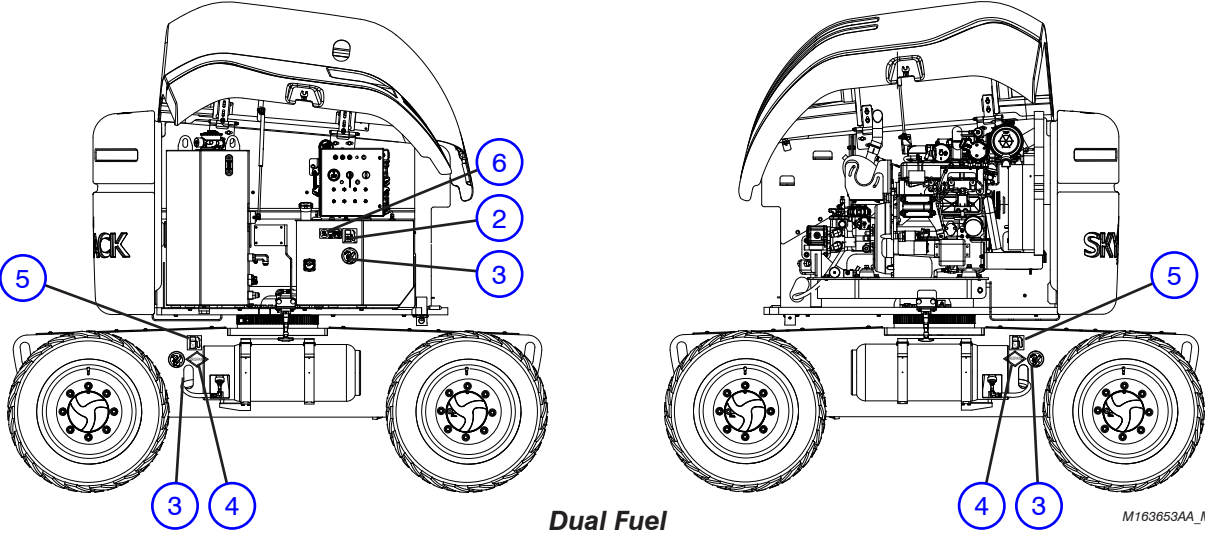


164638AA_Op_Platform

10.8 Labels - Operator Platform

Index No.	Skyjack Part No.	Qty.	Description
1	137988	6	LABEL, Crush/Pinch point
2	156613	1	LABEL, Do not alter
3	143638	1	LABEL, Footswitch enable (on/off)
4	139689	2	LABEL, Platform capacity (500 lb/227 kg) (Not included in kit)
5	159500	1	LABEL, Danger/warning booms
6	115543	6	LABEL, Warning no step
7	164637	2	LABEL, SJ46AJ (12") (Not included in kit)
	164632	2	LABEL, SJ51AJ (12") (Not included in kit)
8	130018	2	LABEL, Harness anchorage
9	119803	125"	LABEL, Caution tape (CE&AS) (Not included in kit)
10	147043	1	LABEL, AWPT "Click It!"
11	124465	2	LABEL, Horizontal load rating
12	158554	1	LABEL, Skyjack logo
13	123628	1	LABEL, Manual box
14	138211	1	LABEL, Connect AC supply
15	124362	1	LABEL, Warning do not wear jewelry
16	159513	1	LABEL, Daily maintenance checklist
17	161631	1	LABEL, Power line clearance (AS) (Not included in kit) (For components, refer to Section 10.1)

10.9 Labels - Fuel

 <p style="text-align: center;">Diesel Fuel</p>			
 <p style="text-align: center;">Dual Fuel</p>			
Index No.	Skyjack Part No.	Qty.	Description
1	102962	1	LABEL, Diesel fuel pictorial (Deutz D2011)
	162852	1	LABEL, Ultra low sulfur diesel fuel only (Deutz D2.9L)
2	132400	1	LABEL, Unleaded fuel only (GM & Kubota)
3	138146	1	LABEL, No smoking
		2	LABEL, No smoking (Single tank)
		3	LABEL, No smoking (Double tank)
4	120390	1	LABEL, Propane Pictorial (Single tank)
		2	LABEL, Propane Pictorial (Double tank)
5	103023	1	LABEL, LPG
6	168457	1	LABEL, Open fuel cap slowly

M163653AA_M148683AB

11.1 *Fluids*

11.2 *Grease Locations - Axle Grease Table*

11.3 *Grease Locations - Gear Grease Table*

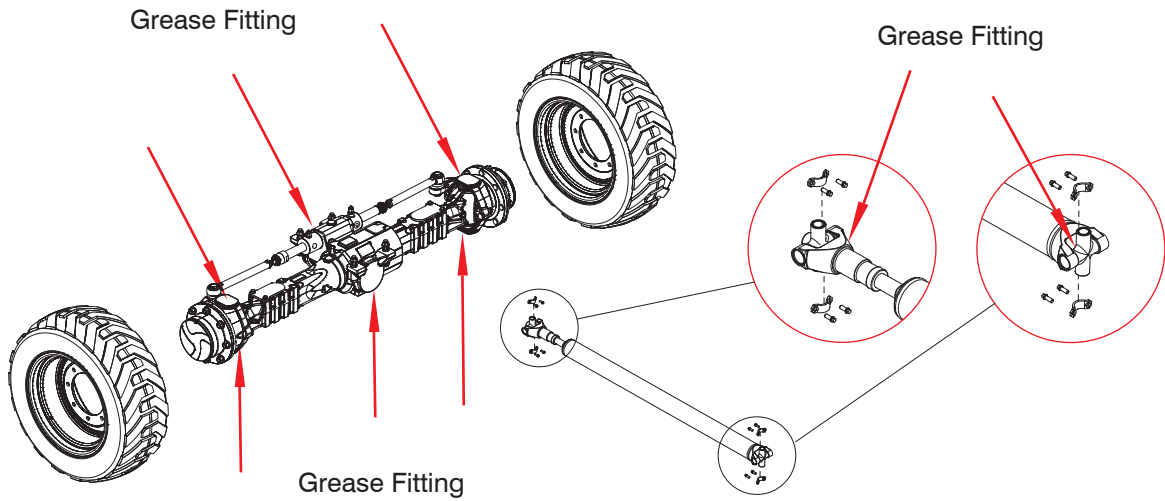
11.4 *Filters*

11.1 Fluids

MODEL				SJ 46AJ	SJ 51AJ
Hydraulic Oil	Hydraulic Oil Cooler Option	Ambient Temperature Limits	100°F to 115°F	Oil cooler option recommended	
	Standard Factory Fill		-15°F to 100°F	Shell Tellus T46	
	Arctic Oil Option		-40°F to 100°F	Esso/Mobil UNIVIS HVI 26, Petro-Canada HYDREX EXTREME	
	Approved Alternates		-15°F to 100°F	Mobilfluid 424, Esso UNIVIS N46, Chevron Ryonon MV	
			-40°F to 80°F	Mobil DTE 13M, Esso UNIVIS N22, Petro-Canada HYDREX MV Arctic 15	
Hydraulic Tank Capacity			24 gal. (91 L)		
Axle	Oil (Dana Front / Rear Axle)	Recommended Type		LS 80W-90 GL5	
		Skjack Part Number		134612	
Swing Drive	Oil	Recommended Type		LS 80W-90 GL5	
		Skjack Part Number		134612	
Engine - Deutz D2.9L4	Engine Type			Deutz D2.9L4	
	RPM Settings			900 Low/1650/2000 High	
	Horsepower @ 2000 rpm (intermittent)			29.8 kW / 40 hp	
	Fuel Type			Diesel	
	Fuel Tank Capacity			17 gal. (64 L)	
	Standard Oil Factory Fill	Ambient Temperature Limits	0°F to 115°F	SAE 15W-40 API CF/CG/CH-4	
	Cold Lube Oil Option		-20°F to 90°F	SAE 5W-30 API CF/CG/CH-4	
	Arctic Lube Oil Option		-40°F to 115°F	SAE 0W-40 API CF/CG/CH-4	
	Approved Alternates		-	See Engine Manual	
	Lube Oil Sump Capacity			2.38 gal. (9 L)	
	Standard Coolant	Ambient Temperature Limits	-20°F to 115°F	Chevron Delo 50/50 Extended Life Coolant	
	Arctic Coolant Option		-40°F to 115°F	Chevron Delo 50/50 Extended Life Coolant	
	Coolant Capacity			2.38 gal. (9 L)	
Engine - Deutz D2011L03i	Engine Type			Deutz D2011L03i	
	RPM Settings			1300 Low/1650/2000 High	
	Gross Intermittent HP			35.8 kW / 48 hp	
	Horsepower @ 2000 rpm (intermittent)			28.9 kW / 38.8 hp	
	Fuel Type			Diesel	
	Fuel Tank Capacity			63 L (17 gal.)	
	Standard Oil Factory Fill	Ambient Temperature Limits	0°F to 115°F (-18°C to +45°C)	SAE 15W-40 API CF/CG/CH-4	
	Cold Lube Oil Option		-20°F to 90°F (-29°C to +32°C)	SAE 5W-30 API CF/CG/CH-4	
	Arctic Lube Oil Option		-40°F to 115°F (-40°C to +45°C)	SAE 0W-40 API CF/CG/CH-4	
	Approved Alternates		-	See Engine Manual	
Lube Oil Sump Capacity			1.45 gal. (5.5 L)		
Engine - GM (ANSI/CSA Only)	Engine Type			3.0L GM Dual Fuel	
	RPM Settings			900 Low/1650/2000 High	
	Gross Intermittent HP			70 ph (52.2 kW)	
	Horsepower @ 2000 rpm (intermittent)			54.8 hp (40.8 kW)	
	Fuel Type - Dual			Gasoline/Propane	
	Fuel Tank Capacity			17 gal. (64 L)	
	Standard Oil Factory Fill	Ambient Temperature Limits	-40°F to 115°F	SAE 5W-30 API SL	
	Approved Alternates		-	See Engine Manual	
	Lube Oil Capacity			1.19 gal. (4.5 L)	
	Standard Coolant	Ambient Temperature Limits	-20°F to 115°F	GM 50/50 Extended Life Coolant	
	Arctic Coolant Option		-40°F to 115°F	GM 60/40 Extended Life Coolant	
Coolant Capacity			3.0 gal. (11.4 L)		
			Not Used		

191AA

11.2 Grease Locations - Axle Grease Table

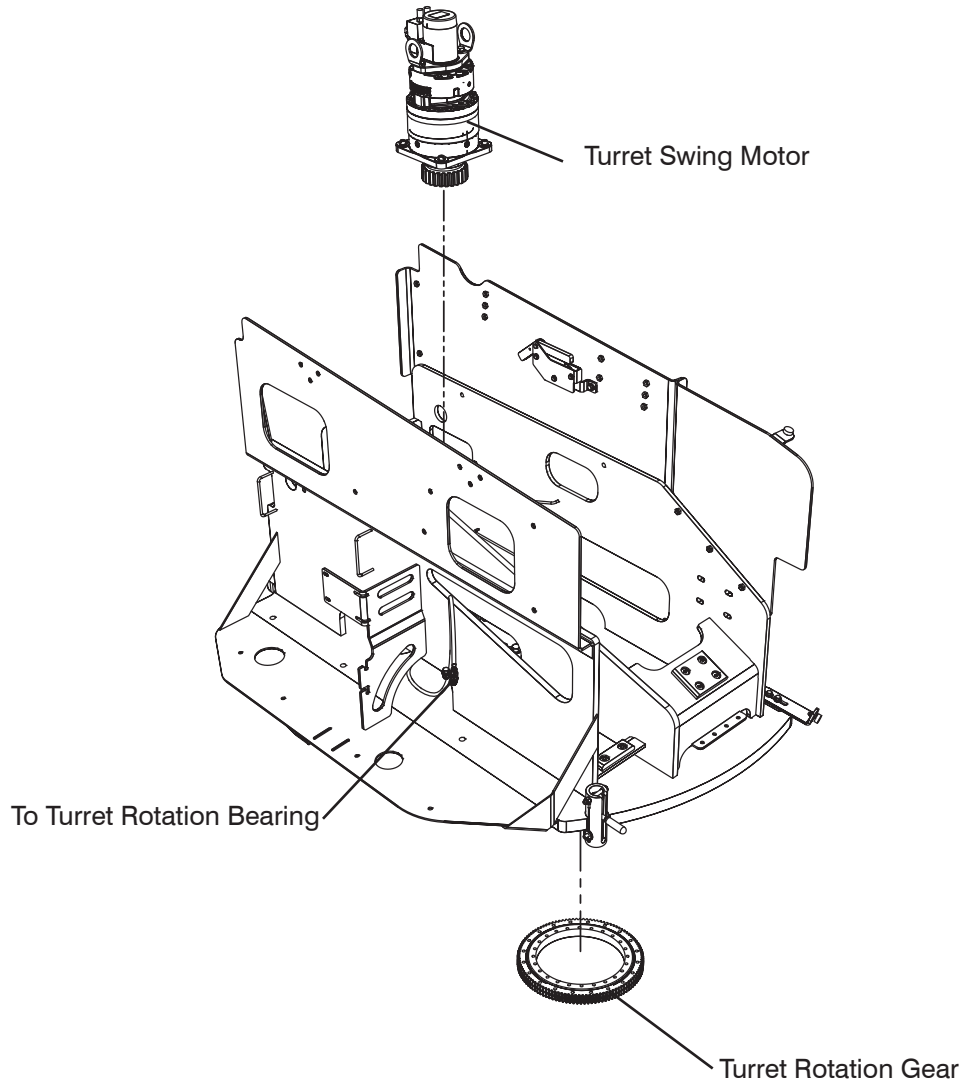


*GREASE	
Model	Recommended Grease Type
SJ40T & 45T SJ61T & 66T SJ46A/AJ & 51AJ	Mobil Mobilux EP2
	Texaco Multifax EP2
	Sun Prestige 742 EP
	Shell Alvania EP2
	Exxon Ronex WB

60587AC

* Refer to Service and Maintenance manual for greasing frequency and procedures.

11.3 Grease Locations - Gear Grease Table



*GREASE	
Model	Recommended Grease Type
SJ40T & 45T SJ61T & 66T SJ46A/AJ & 51AJ	Mobil Mobiltac C
	Texaco Crater 2X or 3X
	Sun Gear Compound 407
	Shell Cardium EP
	Exxon Surret Fluid 30

60587AC

* Refer to Service and Maintenance manual for greasing frequency and procedures.

	Filter Type	Part Number
Hydraulic	High Pressure	161932
	High Pressure Element	161947
	In-Line Hydraulic Tank Return	161934
	In-Line Hydraulic Tank Return Element	161949
Deutz D2.9L	Air Cleaner Primary Element	165947
	Air Cleaner Secondary Element	165948
	Engine Oil	147072
	Fuel	164771
	Fuel Pre-Filter	164772
Deutz D2011	Air Cleaner Primary Element	165947
	Air Cleaner Secondary Element	165948
	Engine Oil	147072
	Fuel	147071
	In-Line Fuel	139254
GM 3.0L	Air Cleaner Primary Element	751678
	Air Cleaner Secondary Element	751677
	Engine Oil	147120
	Fuel	142301
Kubota WG2503	Air Cleaner Primary Element	195293
	Air Cleaner Secondary Element	195294
	Engine Oil	194643
	Fuel	136118

1164AB

Notes

SKYJACK™

www.skyjack.com