

*If you have questions or comments, contact us.  
Pour toute question ou tout commentaire, nous contacter.  
Si tiene dudas o comentarios, contáctenos.*

**1-800-4-DEWALT • [www.dewalt.com](http://www.dewalt.com)**

**INSTRUCTION MANUAL  
GUIDE D'UTILISATION  
MANUAL DE INSTRUCCIONES**

INSTRUCTIVO DE OPERACIÓN, CENTROS DE SERVICIO Y PÓLIZA DE GARANTÍA. **ADVERTENCIA:** LÉASE ESTE INSTRUCTIVO ANTES DE USAR EL PRODUCTO.

---

# DEWALT®

---

**DCS374**

**20V Max\* XR Li-Ion Brushless Band Saw**

**Scie à ruban sans balai XR Li-Ion 20 v Max\***

**Sierra de banda sin escobillas de 20V Max\* XR de iones de litio**



### Definitions: Safety Guidelines

The definitions below describe the level of severity for each signal word. Please read the manual and pay attention to these symbols.

**⚠ DANGER:** Indicates an imminently hazardous situation which, if not avoided, **will** result in **death or serious injury**.

**⚠ WARNING:** Indicates a potentially hazardous situation which, if not avoided, **could** result in **death or serious injury**.

**⚠ CAUTION:** Indicates a potentially hazardous situation which, if not avoided, **may** result in **minor or moderate injury**.

**NOTICE:** Indicates a practice **not related to personal injury** which, if not avoided, **may** result in **property damage**.

IF YOU HAVE ANY QUESTIONS OR COMMENTS ABOUT THIS OR ANY DeWALT TOOL, CALL US TOLL FREE AT: **1-800-4-DeWALT (1-800-433-9258)**.



**WARNING:** To reduce the risk of injury, read the instruction manual.

### General Power Tool Safety Warnings



**WARNING!** Read all safety warnings and all instructions.

Failure to follow the warnings and instructions may result in electric shock, fire and/or serious injury.

### SAVE ALL WARNINGS AND INSTRUCTIONS FOR FUTURE REFERENCE

The term "power tool" in the warnings refers to your mains-operated (corded) power tool or battery-operated (cordless) power tool.

#### 1) WORK AREA SAFETY

- a) **Keep work area clean and well lit.** Cluttered or dark areas invite accidents.
- b) **Do not operate power tools in explosive atmospheres, such as in the presence of flammable liquids, gases or dust.** Power tools create sparks which may ignite the dust or fumes.
- c) **Keep children and bystanders away while operating a power tool.** Distractions can cause you to lose control.

#### 2) ELECTRICAL SAFETY

- a) **Power tool plugs must match the outlet. Never modify the plug in any way. Do not use any adapter plugs with earthed (grounded) power tools.** Unmodified plugs and matching outlets will reduce risk of electric shock.
- b) **Avoid body contact with earthed or grounded surfaces such as pipes, radiators, ranges and refrigerators.** There is an increased risk of electric shock if your body is earthed or grounded.
- c) **Do not expose power tools to rain or wet conditions.** Water entering a power tool will increase the risk of electric shock.
- d) **Do not abuse the cord. Never use the cord for carrying, pulling or unplugging the power tool. Keep cord away from heat, oil, sharp edges or moving parts.** Damaged or entangled cords increase the risk of electric shock.
- e) **When operating a power tool outdoors, use an extension cord suitable for outdoor use.** Use of a cord suitable for outdoor use reduces the risk of electric shock.
- f) **If operating a power tool in a damp location is unavoidable, use a ground fault circuit interrupter (GFCI) protected supply.** Use of a GFCI reduces the risk of electric shock.

### 3) PERSONAL SAFETY

- a) **Stay alert, watch what you are doing and use common sense when operating a power tool. Do not use a power tool while you are tired or under the influence of drugs, alcohol or medication.** A moment of inattention while operating power tools may result in serious personal injury.
- b) **Use personal protective equipment. Always wear eye protection.** Protective equipment such as dust mask, non-skid safety shoes, hard hat, or hearing protection used for appropriate conditions will reduce personal injuries.
- c) **Prevent unintentional starting. Ensure the switch is in the off position before connecting to power source and/or battery pack, picking up or carrying the tool.** Carrying power tools with your finger on the switch or energizing power tools that have the switch on invites accidents.
- d) **Remove any adjusting key or wrench before turning the power tool on.** A wrench or a key left attached to a rotating part of the power tool may result in personal injury.
- e) **Do not overreach. Keep proper footing and balance at all times.** This enables better control of the power tool in unexpected situations.
- f) **Dress properly. Do not wear loose clothing or jewelry. Keep your hair, clothing and gloves away from moving parts.** Loose clothes, jewelry or long hair can be caught in moving parts.
- g) **If devices are provided for the connection of dust extraction and collection facilities, ensure these are connected and properly used.** Use of dust collection can reduce dust-related hazards.

### 4) POWER TOOL USE AND CARE

- a) **Do not force the power tool. Use the correct power tool for your application.** The correct power tool will do the job better and safer at the rate for which it was designed.

- b) **Do not use the power tool if the switch does not turn it on and off.** Any power tool that cannot be controlled with the switch is dangerous and must be repaired.
- c) **Disconnect the plug from the power source and/or the battery pack from the power tool before making any adjustments, changing accessories, or storing power tools.** Such preventive safety measures reduce the risk of starting the power tool accidentally.
- d) **Store idle power tools out of the reach of children and do not allow persons unfamiliar with the power tool or these instructions to operate the power tool.** Power tools are dangerous in the hands of untrained users.
- e) **Maintain power tools. Check for misalignment or binding of moving parts, breakage of parts and any other condition that may affect the power tool's operation. If damaged, have the power tool repaired before use.** Many accidents are caused by poorly maintained power tools.
- f) **Keep cutting tools sharp and clean.** Properly maintained cutting tools with sharp cutting edges are less likely to bind and are easier to control.
- g) **Use the power tool, accessories and tool bits, etc. in accordance with these instructions, taking into account the working conditions and the work to be performed.** Use of the power tool for operations different from those intended could result in a hazardous situation.

### 5) BATTERY TOOL USE AND CARE

- a) **Recharge only with the charger specified by the manufacturer.** A charger that is suitable for one type of battery pack may create a risk of fire when used with another battery pack.
- b) **Use power tools only with specifically designated battery packs.** Use of any other battery packs may create a risk of injury and fire.

- c) **When battery pack is not in use, keep it away from other metal objects, like paper clips, coins, keys, nails, screws, or other small metal objects, that can make a connection from one terminal to another.** Shorting the battery terminals together may cause burns or a fire.
- d) **Under abusive conditions, liquid may be ejected from the battery; avoid contact. If contact accidentally occurs, flush with water. If liquid contacts eyes, additionally seek medical help.** Liquid ejected from the battery may cause irritation or burns.

## 6) SERVICE

- a) **Have your power tool serviced by a qualified repair person using only identical replacement parts.** This will ensure that the safety of the power tool is maintained.

## Additional Safety Rules – Portable Band Saws

- **Hold power tool by insulated gripping surfaces when performing an operation where the cutting accessory may contact hidden wiring.** Cutting accessories contacting a “live” wire may make exposed metal parts of the power tool “live” and could give the operator an electric shock.
- **Keep hands away from cutting area and blade.**
- **Always make sure the portable band saw is clean before using.**
- **Always cease operation at once if you notice any abnormality whatsoever.**
- **Always be sure all components are mounted properly and securely before using tool.**
- **Always handle the band saw blade with care when mounting or removing it.**

- **Always keep your hands out of the line of the band saw blade.**
- **Always wait until the motor has reached full speed before starting a cut.**
- **Always keep handles dry, clean, and free of oil and grease.** Hold the tool firmly when in use.
- **Always be alert at all times, especially during repetitive, monotonous operations.** Always be sure of position of your hands relative to the blade.
- **Never remove work stop.**
- **Stay clear of end pieces that may fall after cutting off.** They may be hot, sharp and/or heavy. Serious personal injury may result.
- **Air vents often cover moving parts and should be avoided.** Loose clothes, jewelry or long hair can be caught in moving parts.

**▲WARNING: ALWAYS** use safety glasses. Everyday eyeglasses are NOT safety glasses. Also use face or dust mask if cutting operation is dusty. ALWAYS WEAR CERTIFIED SAFETY EQUIPMENT:

- ANSI Z87.1 eye protection (CAN/CSA Z94.3),
- ANSI S12.6 (S3.19) hearing protection,
- NIOSH/OSHA/MSHA respiratory protection.

**▲WARNING:** Some dust created by power sanding, sawing, grinding, drilling, and other construction activities contains chemicals known to the State of California to cause cancer, birth defects or other reproductive harm. Some examples of these chemicals are:

- lead from lead-based paints,
- crystalline silica from bricks and cement and other masonry products, and
- arsenic and chromium from chemically-treated lumber.

Your risk from these exposures varies, depending on how often you do this type of work. To reduce your exposure to these chemicals: work in a well ventilated area, and work with approved safety equipment,

such as those dust masks that are specially designed to filter out microscopic particles.

- **Avoid prolonged contact with dust from power sanding, sawing, grinding, drilling, and other construction activities. Wear protective clothing and wash exposed areas with soap and water.** Allowing dust to get into your mouth, eyes, or lay on the skin may promote absorption of harmful chemicals.

**▲WARNING:** Use of this tool can generate and/or disperse dust, which may cause serious and permanent respiratory or other injury. Always use NIOSH/OSHA approved respiratory protection appropriate for the dust exposure. Direct particles away from face and body.

**▲WARNING:** Always wear proper personal hearing protection that conforms to ANSI S12.6 (S3.19) during use. Under some conditions and duration of use, noise from this product may contribute to hearing loss.

**▲CAUTION:** When not in use, place tool on its side on a stable surface where it will not cause a tripping or falling hazard. Some tools with large battery packs will stand upright on the battery pack but may be easily knocked over.

- The label on your tool may include the following symbols. The symbols and their definitions are as follows:

V..... volts	A.....amperes
Hz..... hertz	W.....watts
min ..... minutes	~ or AC...alternating current
— or DC...direct current	⌚ or AC/DC...alternating
Ⓛ..... Class I Construction	or direct current
(grounded)	n <sub>0</sub> .....no load speed
Ⓜ..... Class II Construction	n.....rated speed
(double insulated)	⊕.....earthing terminal
.../min ... per minute	▲.....safety alert symbol
BPM..... beats per minute	⚠.....visible radiation

IPM..... impacts per minute      RPM.....revolutions per  
 sfpm ..... surface feet per minute      minute  
 SPM ..... strokes per minute

## Important Safety Instructions for All Battery Packs

When ordering replacement battery packs, be sure to include the catalog number and voltage. Consult the chart at the end of this manual for compatibility of chargers and battery packs.

The battery pack is not fully charged out of the carton. Before using the battery pack and charger, read the safety instructions below and then follow charging procedures outlined.

### READ ALL INSTRUCTIONS

- **Do not charge or use the battery pack in explosive atmospheres, such as in the presence of flammable liquids, gases or dust.** Inserting or removing the battery pack from the charger may ignite the dust or fumes.
- **NEVER force the battery pack into the charger. DO NOT modify the battery pack in any way to fit into a non-compatible charger as battery pack may rupture causing serious personal injury.** Consult the chart at the end of this manual for compatibility of batteries and chargers.
- Charge the battery packs only in designated DEWALT chargers.
- **DO NOT** splash or immerse in water or other liquids.
- **Do not store or use the tool and battery pack in locations where the temperature may reach or exceed 104 °F (40 °C) (such as outside sheds or metal buildings in summer).** For best life store battery packs in a cool, dry location.  
**NOTE: Do not store the battery packs in a tool with the trigger switch locked on. Never tape the trigger switch in the ON position.**

**▲WARNING:** Fire hazard. Never attempt to open the battery pack for any reason. If the battery pack case is cracked or damaged, do not insert into the charger. Do not crush, drop or damage the battery pack. Do not use a battery pack or charger that has received a sharp blow, been dropped, run over or damaged in any way (e.g., pierced with a nail, hit with a hammer, stepped on). Damaged battery packs should be returned to the service center for recycling.

**▲WARNING:** Fire hazard. Do not store or carry the battery pack so that metal objects can contact exposed battery terminals. For example, do not place the battery pack in aprons, pockets, tool boxes, product kit boxes, drawers, etc., with loose nails, screws, keys, etc. **Transporting batteries can possibly cause fires if the battery terminals inadvertently come in contact with conductive materials such as keys, coins, hand tools and the like.** The US Department of Transportation Hazardous Material Regulations (HMR) actually prohibit transporting batteries in commerce or on airplanes (e.g., packed in suitcases and carry-on luggage) UNLESS they are properly protected from short circuits. So when transporting individual battery packs, make sure that the battery terminals are protected and well insulated from materials that could contact them and cause a short circuit.

#### **SPECIFIC SAFETY INSTRUCTIONS FOR LITHIUM ION (Li-Ion)**

- **Do not incinerate the battery pack even if it is severely damaged or is completely worn out.** The battery pack can explode in a fire. Toxic fumes and materials are created when lithium ion battery packs are burned.
- **If battery contents come into contact with the skin, immediately wash area with mild soap and water.** If battery liquid gets into the eye, rinse water over the open eye for 15 minutes or until irritation ceases. If medical attention is needed, the battery electrolyte is composed of a mixture of liquid organic carbonates and lithium salts.

- **Contents of opened battery cells may cause respiratory irritation.** Provide fresh air. If symptoms persist, seek medical attention.

**▲WARNING:** Burn hazard. Battery liquid may be flammable if exposed to spark or flame.

#### **The RBRC® Seal**

The RBRC® (Rechargeable Battery Recycling Corporation) Seal on the nickel cadmium, nickel metal hydride or lithium-ion batteries (or battery packs) indicates that the costs to recycle these batteries (or battery packs) at the end of their useful life have already been paid by DEWALT. In some areas, it is illegal to place spent nickel cadmium, nickel metal hydride or lithium-ion batteries in the trash or municipal solid waste stream and the Call 2 Recycle® program provides an environmentally conscious alternative.



Call 2 Recycle, Inc., in cooperation with DEWALT and other battery users, has established the program in the United States and Canada to facilitate the collection of spent nickel cadmium, nickel metal hydride or lithium-ion batteries. Help protect our environment and conserve natural resources by returning the spent nickel cadmium, nickel metal hydride or lithium-ion batteries to an authorized DEWALT service center or to your local retailer for recycling. You may also contact your local recycling center for information on where to drop off the spent battery. RBRC® is a registered trademark of Call 2 Recycle, Inc.

#### **Important Safety Instructions for All Battery Chargers**

**SAVE THESE INSTRUCTIONS:** This manual contains important safety and operating instructions for battery chargers.

- Before using the charger, read all instructions and cautionary markings on the charger, battery pack and product using the battery pack.



**⚠ WARNING:** Shock hazard. Do not allow any liquid to get inside the charger. Electric shock may result.

**⚠ CAUTION:** Burn hazard. To reduce the risk of injury, charge only DEWALT rechargeable battery packs. Other types of batteries may overheat and burst resulting in personal injury and property damage.

**NOTICE:** Under certain conditions, with the charger plugged into the power supply, the charger can be shorted by foreign material. Foreign materials of a conductive nature, such as, but not limited to, grinding dust, metal chips, steel wool, aluminum foil or any buildup of metallic particles should be kept away from the charger cavities. Always unplug the charger from the power supply when there is no battery pack in the cavity. Unplug the charger before attempting to clean.

- **DO NOT attempt to charge the battery pack with any chargers other than the ones in this manual.** The charger and battery pack are specifically designed to work together.
- **These chargers are not intended for any uses other than charging DEWALT rechargeable batteries.** Any other uses may result in risk of fire, electric shock or electrocution.
- **Do not expose the charger to rain or snow.**
- **Pull by the plug rather than the cord when disconnecting the charger.** This will reduce the risk of damage to the electric plug and cord.
- **Make sure that the cord is located so that it will not be stepped on, tripped over or otherwise subjected to damage or stress.**
- **Do not use an extension cord unless it is absolutely necessary.** Use of improper extension cord could result in risk of fire, electric shock or electrocution.
- **When operating a charger outdoors, always provide a dry location and use an extension cord suitable for outdoor use.** Use of a cord suitable for outdoor use reduces the risk of electric shock.

- **An extension cord must have adequate wire size (AWG or American Wire Gauge) for safety.** The smaller the gauge number of the wire, the greater the capacity of the cable, that is, 16 gauge has more capacity than 18 gauge. An undersized cord will cause a drop in line voltage resulting in loss of power and overheating. When using more than one extension to make up the total length, be sure each individual extension contains at least the minimum wire size. The following table shows the correct size to use depending on cord length and nameplate ampere rating. In if doubt, use the next heavier gauge. The lower the gauge number, the heavier the cord.

Minimum Gauge for Cord Sets						
Ampere Rating		Volts	Total Length of Cord in Feet (meters)			
		120 V	25	50	100	150
			(7.6)	(15.2)	(30.5)	(45.7)
240 V	50	100	200	300		
	(15.2)	(30.5)	(61.0)	(91.4)		
More Than	Not More Than	AWG				
0	6	18	16	16	14	
6	10	18	16	14	12	
10	12	16	16	14	12	
12	16	14	12	Not Recommended		

- **Do not place any object on top of the charger or place the charger on a soft surface that might block the ventilation slots and result in excessive internal heat.** Place the charger in a position away from any heat source. The charger is ventilated through slots in the top and the bottom of the housing.
- **Do not operate the charger with a damaged cord or plug.**



- **Do not operate the charger if it has received a sharp blow, been dropped or otherwise damaged in any way.** Take it to an authorized service center.
- **Do not disassemble the charger; take it to an authorized service center when service or repair is required.** Incorrect reassembly may result in a risk of electric shock, electrocution or fire.
- **Disconnect the charger from the outlet before attempting any cleaning. This will reduce the risk of electric shock.** Removing the battery pack will not reduce this risk.
- **NEVER** attempt to connect 2 chargers together.
- **The charger is designed to operate on standard 120V household electrical power. Do not attempt to use it on any other voltage.** This does not apply to the vehicular charger.

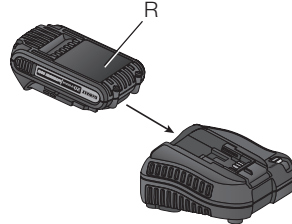
## Chargers

Your tool uses a DEWALT charger. Be sure to read all safety instructions before using your charger. Consult the chart at the end of this manual for compatibility of chargers and battery packs.

## Charging Procedure (Fig. 1)

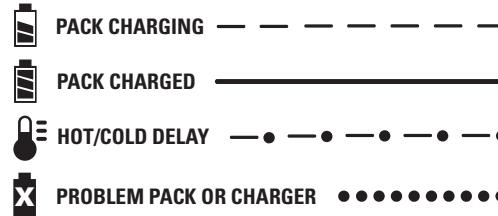
1. Plug the charger into an appropriate outlet before inserting the battery pack.
2. Insert the battery pack (R) into the charger, as shown in Figure 1, making sure the pack is fully seated in charger. The red (charging) light will blink continuously, indicating that the charging process has started.
3. The completion of charge will be indicated by the red light remaining ON continuously. The pack is fully charged and may be used at this time or left in the charger.

FIG.1

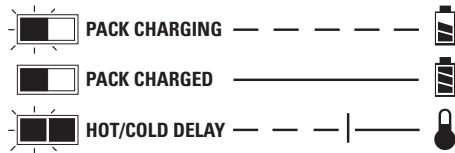


## Indicator Light Operation

### DCB101, DCB102, DCB103



### DCB107, DCB112, DCB113, DCB115



## Charge Indicators

This charger is designed to detect certain problems that can arise. Problems are indicated by the red light flashing at a fast rate. If this occurs, re-insert the battery pack into the charger. If the problem persists, try a different battery pack to determine if the charger is working properly. If the new pack charges correctly, then the original pack is defective and should be returned to a service center or other collection site for recycling. If the new battery pack elicits the same trouble indication as the original, have the charger and the battery pack tested at an authorized service center.

**HOT/COLD DELAY*****DCB101, DCB102, DCB103***

These chargers have a hot/cold delay feature. When the charger detects a battery that is too hot or too cold, it automatically starts a delay, suspending charging. The red light flashes long, then short while in the hot/cold delay mode.

Once the battery has reached an optimum temperature, the charger will automatically resume the charging procedure. This feature ensures maximum battery life.

***DCB107, DCB112, DCB113, DCB115***

These chargers have a hot/cold delay feature. When the charger detects a battery that is too hot or too cold, it automatically starts a delay, suspending charging. The red light will continue to blink, but a yellow indicator light will be illuminated during this suspension.

Once the battery has reached an optimum temperature, the yellow light will turn off and the charger will automatically resume the charging procedure. This feature ensures maximum battery life.

**LEAVING THE BATTERY PACK IN THE CHARGER**

The charger and battery pack can be left connected with the charge indicator showing Pack Charged.

**WEAK BATTERY PACKS:** Weak batteries will continue to function but should not be expected to perform as much work.

**FAULTY BATTERY PACKS*****DCB101, DCB102, DCB103***

These chargers will not charge a faulty battery pack. The charger will indicate faulty battery pack by refusing to light or by displaying problem pack or charger.

**NOTE:** This could also mean a problem with a charger.

***DCB107, DCB112, DCB113, DCB115***

These chargers will not charge a faulty battery pack. The charger will indicate faulty battery pack by refusing to light.

**NOTE:** This could also mean a problem with a charger.

**Wall Mounting*****DCB107, DCB112, DCB113, DCB115***

These chargers are designed to be wall mountable or to sit upright on a table or work surface.

If wall mounting, locate the charger within reach of an electrical outlet. Mount the charger securely using drywall screws at least 1" (25.4 mm) long, screwed into wood to an optimal depth leaving approximately 7/32" (5.5 mm) of the screw exposed.

**Important Charging Notes**

1. Longest life and best performance can be obtained if the battery pack is charged when the air temperature is between 65 °F and 75 °F (18°–24 °C). DO NOT charge the battery pack in an air temperature below +40 °F (+4.5 °C), or above +104 °F (+40 °C). This is important and will prevent serious damage to the battery pack.
2. The charger and battery pack may become warm to the touch while charging. This is a normal condition, and does not indicate a problem. To facilitate the cooling of the battery pack after use, avoid placing the charger or battery pack in a warm environment such as in a metal shed or an uninsulated trailer.
3. A cold battery pack will charge at about half the rate of a warm battery pack. The battery pack will charge at that slower rate throughout the entire charging cycle and will not return to maximum charge rate even if the battery pack warms.
4. If the battery pack does not charge properly:
  - a. Check operation of receptacle by plugging in a lamp or other appliance;

- b. Check to see if receptacle is connected to a light switch which turns power off when you turn out the lights;
  - c. Move the charger and battery pack to a location where the surrounding air temperature is approximately 65 °F–75 °F (18°–24 °C);
  - d. If charging problems persist, take the tool, battery pack and charger to your local service center.
5. The battery pack should be recharged when it fails to produce sufficient power on jobs which were easily done previously. DO NOT CONTINUE to use under these conditions. Follow the charging procedure. You may also charge a partially used pack whenever you desire with no adverse effect on the battery pack.
  6. Foreign materials of a conductive nature such as, but not limited to, grinding dust, metal chips, steel wool, aluminum foil, or any buildup of metallic particles should be kept away from charger cavities. Always unplug the charger from the power supply when there is no battery pack in the cavity. Unplug the charger before attempting to clean.
  7. Do not freeze or immerse the charger in water or any other liquid.

**▲WARNING:** Shock hazard. Don't allow any liquid to get inside the charger. Electric shock may result.

**▲WARNING:** Burn hazard. Do not submerge the battery pack in any liquid or allow any liquid to enter the battery pack. Never attempt to open the battery pack for any reason. If the plastic housing of the battery pack breaks or cracks, return to a service center for recycling.

### Storage Recommendations

1. The best storage place is one that is cool and dry, away from direct sunlight and excess heat or cold.
2. For long storage, it is recommended to store a fully charged battery pack in a cool dry place out of the charger for optimal results.

**NOTE:** Battery packs should not be stored completely depleted of charge. The battery pack will need to be recharged before use.

## SAVE THESE INSTRUCTIONS FOR FUTURE USE

### COMPONENTS (Fig. 2, 4)

**▲WARNING:** Never modify the power tool or any part of it. Damage or personal injury could result.

- |                               |                          |
|-------------------------------|--------------------------|
| A. Multi-position bail handle | J. Hex wrench            |
| B. Lock-off button            | K. Speed wheel           |
| C. Trigger switch             | L. Worklight             |
| D. Main handle                | M. Hang hook (Fig. 4)    |
| E. Work stop (Fig. 2, 4)      | N. Pulley (Fig. 4)       |
| F. Guide rollers (Fig. 4)     | O. Blade guard (Fig. 4)  |
| G. Adjustment locking nut     | P. Rubber tires (Fig. 4) |
| H. Adjustment screw           | Q. Blade (Fig. 2, 4)     |
| I. Blade tension lever        |                          |

### INTENDED USE

This heavy-duty band saw is designed for professional metal cutting applications.

**DO NOT** use under wet conditions or in presence of flammable liquids or gases.

This band saw is a professional power tool.

**DO NOT** let children come into contact with the tool. Supervision is required when inexperienced operators use this tool.

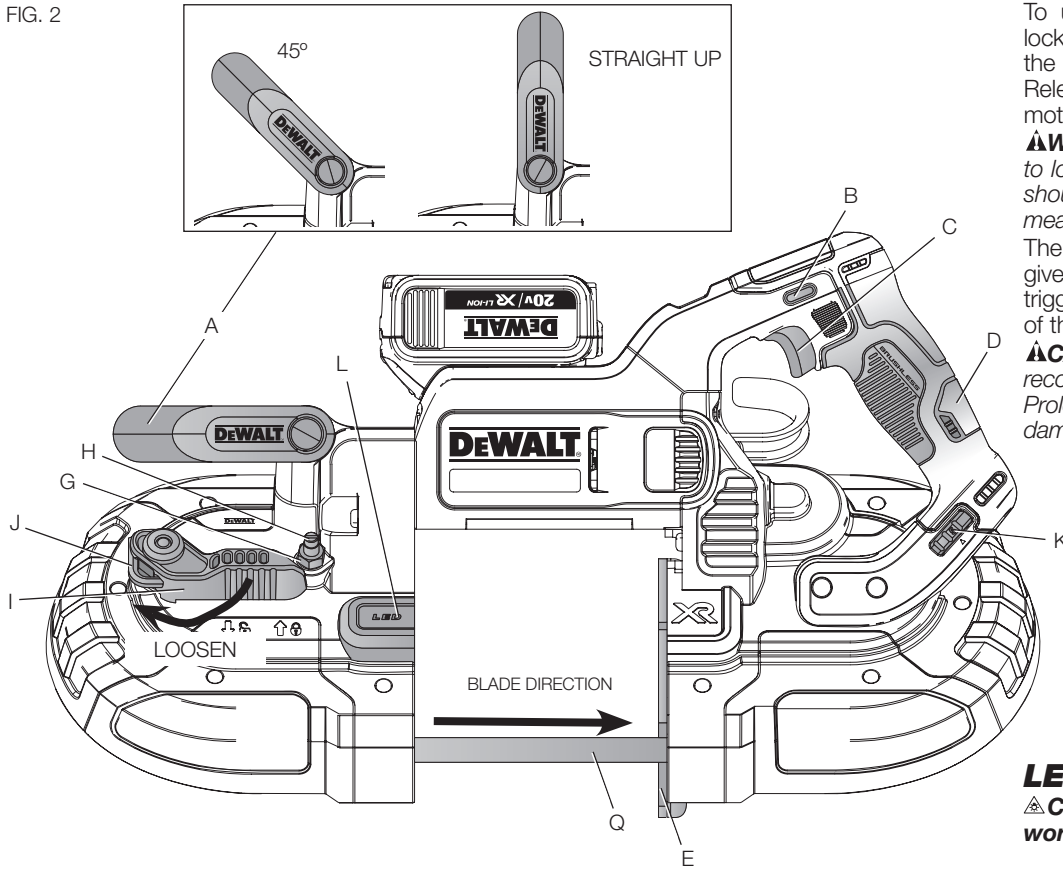
### Variable Speed Trigger Switch (Fig. 2)

#### LOCK-OFF BUTTON AND TRIGGER SWITCH

Your saw is equipped with a lock-off button (B).

To lock the trigger switch (C), press the lock-off button as shown in Figure 3. Always lock the trigger switch (C) when carrying or storing the tool to eliminate unintentional starting.

FIG. 2



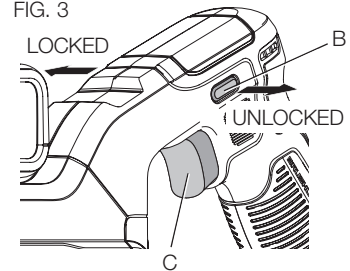
To unlock the trigger switch, press the lock-off button as shown in Figure 3. Pull the trigger switch to turn the motor ON. Releasing the trigger switch turns the motor OFF.

**⚠WARNING:** This tool has no provision to lock the switch in the ON position, and should never be locked ON by any other means.

The variable speed trigger switch will give you added versatility. The further the trigger is depressed the higher the speed of the saw.

**⚠CAUTION:** Use of very slow speed is recommended only for beginning a cut. Prolonged use at very slow speed may damage your saw.

FIG. 3



### LED Worklight (Fig. 2)

**⚠CAUTION:** Do not stare into worklight. Serious eye injury could result.

There is a worklight (L) located above the blade. The worklight is activated when the trigger switch is depressed, and will automatically turn off 20 seconds after the trigger switch is released. If the trigger switch remains depressed, the worklight will remain on.

**NOTE:** The worklight is for lighting the immediate work surface and is not intended to be used as a flashlight.

### Blades

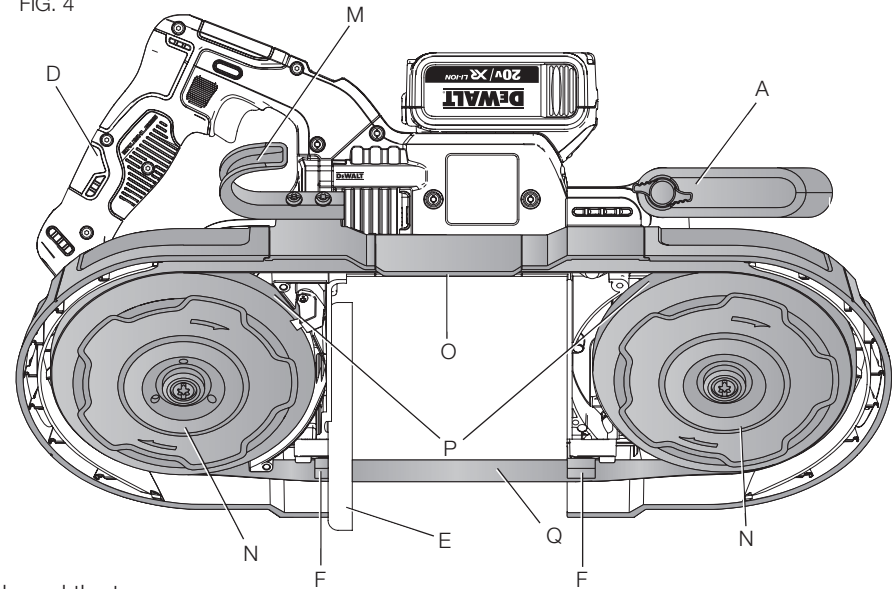
This portable band saw is designed to use .020" (0.5 mm) thick, 1/2" (12.5 mm) wide and 44-7/8" (1140 mm) long blades. **DO NOT** use .025 (.64 mm) thick blades.

**⚠WARNING:** The use of any other blade or accessory might be hazardous. **DO NOT** use any other type of accessory with your band saw. Blades used on stationary band saws are of different thickness. Do not attempt to use them on your portable unit.

### Blade Selection

In general, first consider the size and shape of the work, and the type of material to be cut. Remember, for the most efficient cutting, the coarsest tooth blade possible should be used in a given application, because the coarser the tooth, the faster the cut. In selecting the appropriate number of teeth per inch of the band saw blade, at least two teeth should contact the work surface when the blade is rested against the workpiece. As a rule of thumb, soft materials usually require coarse tooth blades, while hard materials require fine tooth blades. Where a smoother finish is important, select one of the finer tooth blades.

FIG. 4



Select the appropriate band saw blade according to the material type, dimensions, and number of teeth. See **Blade Description** chart.

The following table is intended as a general guide only. Determine the type of material and dimension of the workpiece and select the most appropriate band saw blade.

**NOTICE:** Never use the band saw to cut resin materials which are subject to melting. Melting of resin material caused by high heat generated during cutting may cause the band saw blade to become

bound to the material, possibly resulting in overload and burn-out of the motor.

BLADE DESCRIPTION				
Type of band saw blade	Bi-Metal			
Number of teeth	24	18	14	14/18
Workpiece thickness				
1/8" (3.2 mm) and under	•	•		
1/8"–1/4" (3.2 mm–6.4 mm)			•	•

### Blade Speed

Your DCS374 portable band saw is equipped with variable speed for greater versatility. Turn the speed wheel (K) to select the desired speed (Fig. 2). Speed 1 is the slowest speed; Speed 5 is the fastest. Use speed settings 1–5.

When cutting copper, brass, bronze, aluminum, cast iron, angle iron, and mild steel, use a higher speed.

When cutting plastic pipe, tougher steels, chrome steel, tungsten steel, stainless steel, and other problem materials, use low speed.

**NOTE:** When cutting plastic pipe, higher speeds may melt plastic.

### Blade Tracking (Fig. 2)

**⚠WARNING:** To reduce the risk of serious personal injury, turn tool off and remove the battery pack before making any adjustments or removing/installing attachments or accessories. An accidental start-up can cause injury.

Your band saw is equipped with an adjustable blade tracking mechanism which assures proper blade tracking at all times. The back edge of a properly aligned blade will run lightly against one or both of the back up rollers in the blade guides. (The pressure between the edge of the blade and the roller will be very slight and will not damage either the blade or the roller.)

### TO ADJUST THE BLADE TRACKING

1. Use a 1/2" (13 mm) wrench to loosen the adjustment locking nut (G), shown in Figure 2 by turning it one or two turns counterclockwise.
2. Use a screwdriver to turn the adjustment screw (H) 1/4 turn. Turning the screw clockwise will move the blade up toward the blade guide rollers. Turning the screw counterclockwise will move the blade down away from the rollers.
3. Adjust so that the back edge of the blade lightly touches the rollers then securely tighten the adjustment locking nut. (It will be necessary to insert the battery pack and run the saw to observe the tracking.)
4. Observe blade tracking between runs and repeat Steps 1–4 as necessary to achieve proper blade tracking.

**⚠WARNING:** Make sure the battery is removed if further tracking adjustment is needed.

### ASSEMBLY AND ADJUSTMENTS

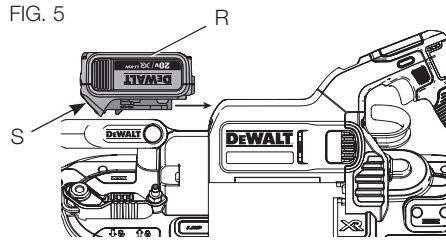
**⚠WARNING:** To reduce the risk of serious personal injury, turn tool off and remove the battery pack before making any adjustments or removing/installing attachments or accessories. An accidental start-up can cause injury.

### Installing and Removing the Battery Pack (Fig. 1, 2, 5)

**NOTE:** For best results, make sure your battery pack is fully charged.

To install the battery pack (R) into the tool handle, first position the bail handle fully forward, then align the battery pack with the rails inside the tool's handle and slide it into the handle until the battery pack is firmly seated in the tool and ensure that it does not disengage.

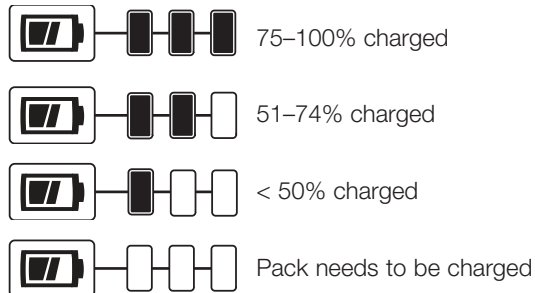
To remove the battery pack (R) from the tool, press the release button (S) and firmly pull the battery pack out of the tool handle. Insert it into the charger as described in the charger section of this manual.



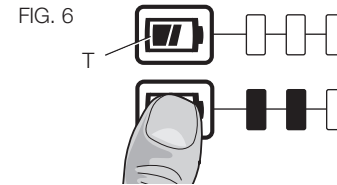
### FUEL GAUGE BATTERY PACKS (FIG. 6)

Some DEWALT battery packs include a fuel gauge which consists of three green LED lights that indicate the level of charge remaining in the battery pack.

The fuel gauge is an indication of approximate levels of charge remaining in the battery pack according to the following indicators:



To actuate the fuel gauge, press and hold the fuel gauge button (T). A combination of the three green LED lights will illuminate designating the level of charge left. When the level of charge in the battery is below the usable limit, the fuel gauge will not illuminate and the battery will need to be recharged.



**NOTE:** The fuel gauge is only an indication of the charge left on the battery pack. It does not indicate tool functionality and is subject to variation based on product components, temperature and end-user application.

For more information regarding fuel gauge battery packs, please contact call 1-800-4-DEWALT (1-800-433-9258) or visit our website [www.dewalt.com](http://www.dewalt.com).

### Removing and Installing Blades

**⚠WARNING:** To reduce the risk of serious personal injury, turn tool off and remove the battery pack before making any adjustments or removing/installing attachments or accessories.

An accidental start-up can cause injury.

**⚠CAUTION: Cut Hazard.** Blade tension lever is under spring pressure. Maintain control of lever when releasing blade tension.

#### TO REMOVE BLADE (FIG. 2, 4)

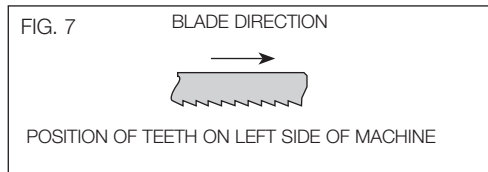
1. Rotate the blade tension lever (I) clockwise until it stops to release tension in blade (refer to Figure 2).
2. Turn the saw over and place it on a workbench or table with the handle to the right.
3. Begin removing the blade at the upper portion of the blade guard (O) and continue around the pulleys (N). When removing the blade, tension may be released and the blade may spring free. **SAW BLADES ARE SHARP. USE CARE IN HANDLING THEM.**



4. Inspect the guide rollers (F) and remove any large chips which may be lodged in them. Lodged chips can prevent rotation of the guide rollers and cause flat spots on the guide rollers.
5. Rubber tires (P) are mounted on the pulleys (N). The rubber tires should be inspected for looseness or damage when changing the blade. Wipe any chips from the rubber tires on the pulleys. This will extend tire life and keep the blade from slipping. If any looseness or damage occurs, the tool should be brought to an authorized DEWALT service center for repair or replacement as soon as possible. Continued use of the tool with loose or damaged rubber tires will cause unstable travel of the band saw blade.

### TO INSTALL BLADE (FIG. 2, 4, 7-9)

1. Position the blade so that the teeth are on the bottom and angled toward the work stop, as shown in Figure 7.



2. Slip the blade into the guide rollers, as shown in Figure 8.
3. Holding the blade in the guide rollers, place it around both pulleys (N, Fig. 4) and through the work stop (E), as shown in Figure 9.
4. Make sure that the blade is fully inserted into the guide rollers and positioned squarely against the rubber tires.
5. Rotate the blade tension lever (I) counterclockwise until it stops and then gently turn the saw over so that the pulleys rest on your work bench or table. Make sure the teeth face away from the band saw (Fig. 7).
6. Turn the saw on and off a few times to ensure that the blade is seated properly.

FIG 8

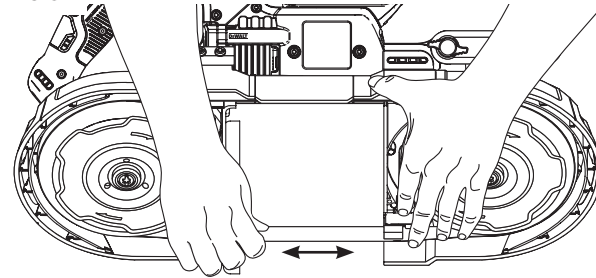
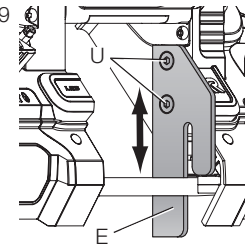


FIG. 9



### Multi-Position Bail Handle (Fig. 2)

A bail handle (A) is provided for carrying the tool and for use as an additional handle. Assemble the bail handle in one of the multi-positions (forward, 22.5°, 45°, 47.5° or straight up) shown in Figure 2. When adjusting the bail handle from one position to the other, loosen the bail handle knob and move the handle to one of the three positions and tighten knob.

**⚠ WARNING: Make sure the bail handle knob is tightened and bail handle is secure before using the saw.**

## Work Stop Adjustment

To support large workpieces, the work stop should be lowered following these steps:

1. Loosen the two screws (U), shown in Figure 9, with the hex wrench (J) provided.
2. Move the work stop (E) to the desired position.
3. Securely tighten screws (U).

## Installing the Brush and Brush Cap (Fig. 10)

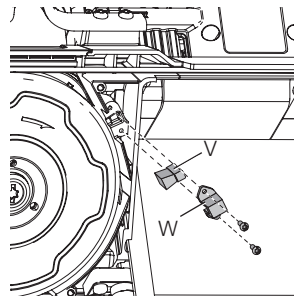
**⚠ WARNING:** To reduce the risk of serious personal injury, turn tool off and remove the battery pack before making any adjustments or removing/installing attachments or accessories.

An accidental start-up can cause injury.

**NOTE:** The brush/brush cap assembly is available at extra cost from your local dealer or authorized service center.

1. Turn the saw over and place it on a workbench or table with the handle to the right.
2. First, slide the brush (V) into the slot as seen in Figure 10, then place the brush cap (W) over top and screw securely into place.

FIG. 10



## OPERATION

**⚠ WARNING:** To reduce the risk of serious personal injury, turn tool off and remove the battery pack before making any adjustments or removing/installing attachments or accessories. An accidental start-up can cause injury.

There are certain applications for which this tool was designed.

This band saw is designed to cut various types of material up to 4-3/4" (120.7 mm) diameter or 5" (127 mm) x 4-3/4" (120.7 mm) rectangular shape at 90°.

**⚠ WARNING:** Thoroughly remove any oil or grease from the workpiece before securing in a vise or other clamping device. If the workpiece is not secure, it may come loose during the cutting and/or cause breakage, which may result in serious personal injury.

## Cutting

Refer to Figure 12 for recommended cutting positions for various materials.

**NOTE:** Select and use a band saw blade that is most appropriate for the material being cut. See **Blade Description**.

This portable band saw may be hung using the hang hook (M, Fig. 4). Hang tool on a pipe vise or other suitable, stable structure.

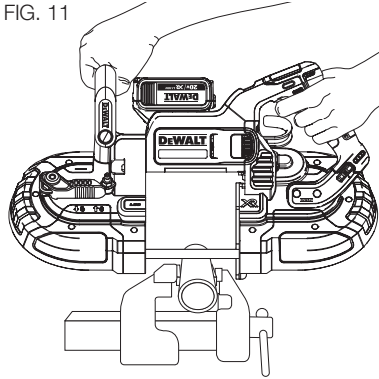
**⚠ WARNING:** To reduce the risk of injury, only use hang hook to support the weight of the tool. Never rely on the hang hook for your own support or to help you maintain your balance.

**⚠ WARNING:** Never attempt to use this tool by resting it upside down on a work surface and bringing the material to the tool. Always securely clamp the workpiece and bring the tool to the workpiece, securely holding the tool with two hands as shown in Figure 11.

1. Mount the material to be cut solidly in a vise or other clamping device.
2. Bring the work stop (E) into contact with the workpiece while keeping the blade off of the workpiece. Turn the saw on.
3. When saw reaches desired rotation speed, slowly and gently tilt the main body of the tool to bring the band saw blade into contact with the workpiece. Do not apply additional pressure in excess of the weight of the main body of the tool. Carefully avoid bringing the band saw blade suddenly and heavily into contact with the upper surface of the workpiece. This will cause serious damage to the

band saw blade. To obtain maximum service life of the band saw blade, ensure there is no sudden impact at the beginning of the cutting operation.

4. As shown in Figure 11, straight cutting can be accomplished by keeping the band saw blade aligned with the side surface of the motor housing. Any twisting or cocking of the blade will cause the cut to go offline and decrease the life of the blade.



**NOTICE:** During cutting, if the band saw becomes locked or jammed in the workpiece material, release the switch immediately to avoid damage to the band saw blade and motor.

5. The tool's own weight provides the most efficient downward cutting pressure. Added operator pressure slows the blade and reduces blade life.
6. End pieces, which would be heavy enough to cause injury when they drop, after cut-off, should be supported. Safety shoes are strongly recommended. End pieces may be hot and sharp.
7. Whenever possible, hold the saw firmly in both hands.
8. **DO NOT MAKE ANY SPEED CHANGES UNLESS TOOL HAS BEEN TURNED OFF.**

FIG. 12

### RECOMMENDED CUTTING POSITIONS

YES 	NO 	YES 	NO 
YES 	NO 	YES 	NO 
YES 	NO 	YES 	NO 

### Tips for Better Cutting

The following recommendations should be used as a guide (refer to Figure 12). Results may vary with the operator and the particular material being cut.

- Never twist the band saw blade during cutting operation.
- Never use liquid coolants with portable band saws. Use of liquid coolants will cause build-up on tires and reduce performance.
- If excessive vibration occurs during the cut, ensure that the material being cut is securely clamped down. If vibration continues, change the band saw blade.

## MAINTENANCE

**⚠ WARNING:** To reduce the risk of serious personal injury, turn tool off and remove the battery pack before making any adjustments or removing/installing attachments or accessories.

*An accidental start-up can cause injury.*

## Lubrication

Self-lubricating bearings are used in the tool and periodic relubrication is not required. In the unlikely event that service is ever needed, take your tool to an authorized service location.

## Cleaning

**⚠ WARNING:** Blow dirt and dust out of all air vents with clean, dry air at least once a week. To minimize the risk of eye injury, always wear ANSI Z87.1 approved eye protection when performing this.

**⚠ WARNING:** Never use solvents or other harsh chemicals for cleaning the non-metallic parts of the tool. These chemicals may weaken the plastic materials used in these parts. Use a cloth dampened only with water and mild soap. Never let any liquid get inside the tool; never immerse any part of the tool into a liquid.

## CHARGER CLEANING INSTRUCTIONS

**⚠ WARNING:** Shock hazard. Disconnect the charger from the AC outlet before cleaning. Dirt and grease may be removed from the exterior of the charger using a cloth or soft non-metallic brush. Do not use water or any cleaning solutions.

## Accessories

**⚠ WARNING:** Since accessories, other than those offered by DEWALT, have not been tested with this product, use of such accessories with this tool could be hazardous. To reduce the risk of injury, only DEWALT recommended accessories should be used with this product.

Recommended accessories for use with your tool are available at extra cost from your local dealer or authorized service center. If you need assistance in locating any accessory, please contact DEWALT Industrial Tool Co., 701 East Joppa Road, Towson, MD 21286, call 1-800-4-DEWALT (1-800-433-9258) or visit our website: [www.dewalt.com](http://www.dewalt.com).

## Repairs

The charger and battery pack are not serviceable.

**⚠ WARNING:** To assure product SAFETY and RELIABILITY, repairs, maintenance and adjustment (including brush inspection and replacement) should be performed by a DEWALT factory service center or a DEWALT authorized service center. Always use identical replacement parts.

## Register Online

Thank you for your purchase. Register your product now for:

- **WARRANTY SERVICE:** Registering your product will help you obtain more efficient warranty service in case there is a problem with your product.
- **CONFIRMATION OF OWNERSHIP:** In case of an insurance loss, such as fire, flood or theft, your registration of ownership will serve as your proof of purchase.
- **FOR YOUR SAFETY:** Registering your product will allow us to contact you in the unlikely event a safety notification is required under the Federal Consumer Safety Act.

Register online at [www.dewalt.com/register](http://www.dewalt.com/register).

## Three Year Limited Warranty

DEWALT will repair, without charge, any defects due to faulty materials or workmanship for three years from the date of purchase. This warranty does not cover part failure due to normal wear or tool abuse. For further detail of warranty coverage and warranty repair information, visit [www.dewalt.com](http://www.dewalt.com) or call 1-800-4-DEWALT (1-800-433-9258). This warranty does not apply to accessories or damage caused where repairs have been made or attempted by others. This warranty gives you specific legal rights and you may have other rights which vary in certain states or provinces.

In addition to the warranty, DEWALT tools are covered by our:

### 1 YEAR FREE SERVICE

DEWALT will maintain the tool and replace worn parts caused by normal use, for free, any time during the first year after purchase.

### 2 YEARS FREE SERVICE ON DEWALT BATTERY PACKS

DC9071, DC9091, DC9096, DC9280, DC9360, DC9180, DCB120, DCB127, DCB201, DCB203, DCB203BT and DCB207.

### 3 YEARS FREE SERVICE ON DEWALT BATTERY PACKS

DCB200, DCB204, DCB204BT, DCB205

### DEWALT BATTERY PACKS

Product warranty voided if the battery pack is tampered with in any way. DEWALT is not responsible for any injury caused by tampering and may prosecute warranty fraud to the fullest extent permitted by law.

### 90 DAY MONEY BACK GUARANTEE

If you are not completely satisfied with the performance of your DEWALT Power Tool, Laser, or Nailer for any reason, you can return it within 90 days from the date of purchase with a receipt for a full refund – no questions asked.

**LATIN AMERICA:** This warranty does not apply to products sold in Latin America. For products sold in Latin America, see country specific warranty information contained in the packaging, call the local company or see website for warranty information.

**FREE WARNING LABEL REPLACEMENT:** If your warning labels become illegible or are missing, call 1-800-4-DEWALT (1-800-433-9258) for a free replacement.

DCS374

**WARNING** TO REDUCE THE RISK OF INJURY, USER MUST READ INSTRUCTION MANUAL. USE WITH DEWALT BATTERIES. ALWAYS USE PROPER EYE AND RESPIRATORY PROTECTION. **ADVERTENCIA:** PARA DISMINUIR EL RIESGO DE LESIONES, EL USUARIO DEBERA LEER EL MANUAL DE INSTRUCCIONES. EL PRODUCTO SE DEBERA EMPLEAR SOLAMENTE CON BATERIAS DEWALT. SIEMPRE SE DEBERA LLEVAR LA PROTECCION APROPIADA PARA LA VISTA Y PARA LAS VIAS RESPIRATORIAS. **AVERTISSEMENT:** AFIN DE MINIMISER LES RISQUES DE BLESSURES, L'UTILISATEUR DOIT TOUJOURS LIRE LE GUIDE D'UTILISATION, UTILISER SEULEMENT AVEC DES PILES DEWALT. IL FAUT TOUJOURS PORTER DE L'EQUIPEMENT DE PROTECTION OCULAIRE ET RESPIRATOIRE APPROPRIE.

DEWALT INDUSTRIAL TOOL CO. BALTIMORE, MD 21286 USA  
FOR SERVICE INFORMATION, CALL 1-800-4-DEWALT  
[www.dewalt.com](http://www.dewalt.com)

## Définitions : lignes directrices en matière de sécurité

Les définitions ci-dessous décrivent le niveau de danger pour chaque mot-indicateur employé. Lire le mode d'emploi et porter une attention particulière à ces symboles.

**▲ DANGER** : indique une situation dangereuse imminente qui, si elle n'est pas évitée, **entraînera la mort ou des blessures graves**.

**▲ AVERTISSEMENT** : indique une situation potentiellement dangereuse qui, si elle n'est pas évitée, **pourrait entraîner la mort ou des blessures graves**.

**▲ ATTENTION** : indique une situation potentiellement dangereuse qui, si elle n'est pas évitée, **pourrait entraîner des blessures légères ou modérées**.

**AVIS** : indique une pratique ne posant **aucun risque de dommages corporels** mais qui par contre, si rien n'est fait pour l'éviter, **pourrait poser des risques de dommages matériels**.

POUR TOUTE QUESTION OU REMARQUE AU SUJET DE CET OUTIL OU DE TOUT AUTRE OUTIL DEWALT, COMPOSEZ LE NUMÉRO SANS FRAIS : 1-800-4-DEWALT (1-800-433-9258).



**AVERTISSEMENT** : afin de réduire le risque de blessures, lire le mode d'emploi de l'outil.

## Avertissements de sécurité généraux pour les outils électriques



**AVERTISSEMENT!** lire tous les avertissements de sécurité et toutes les directives. Le non-respect des

avertissements et des directives pourrait se solder par un choc électrique, un incendie et/ou une blessure grave.

## CONSERVER TOUS LES AVERTISSEMENTS ET TOUTES LES DIRECTIVES POUR UN USAGE ULTÉRIEUR

Le terme « outil électrique » cité dans les avertissements se rapporte à votre outil électrique à alimentation sur secteur (avec fil) ou par piles (sans fil).

### 1) SÉCURITÉ DU LIEU DE TRAVAIL

- Tenir l'aire de travail propre et bien éclairée.** Les lieux encombrés ou sombres sont propices aux accidents.
- Ne pas faire fonctionner d'outils électriques dans un milieu déflagrant, tel qu'en présence de liquides, de gaz ou de poussières inflammables.** Les outils électriques produisent des étincelles qui pourraient enflammer la poussière ou les vapeurs.
- Éloigner les enfants et les personnes à proximité pendant l'utilisation d'un outil électrique.** Une distraction pourrait en faire perdre la maîtrise à l'utilisateur.

### 2) SÉCURITÉ EN MATIÈRE D'ÉLECTRICITÉ

- Les fiches des outils électriques doivent correspondre à la prise. Ne jamais modifier la fiche d'aucune façon. Ne jamais utiliser de fiche d'adaptation avec un outil électrique mis à la terre.** Le risque de choc électrique sera réduit par l'utilisation de fiches non modifiées correspondant à la prise.
- Éviter tout contact physique avec des surfaces mises à la terre comme des tuyaux, des radiateurs, des cuisinières et des réfrigérateurs.** Le risque de choc électrique est plus élevé si votre corps est mis à la terre.

- c) **Ne pas exposer les outils électriques à la pluie ou à l'humidité.** La pénétration de l'eau dans un outil électrique augmente le risque de choc électrique.
- d) **Ne pas utiliser le cordon de façon abusive. Ne jamais utiliser le cordon pour transporter, tirer ou débrancher un outil électrique. Tenir le cordon éloigné de la chaleur, de l'huile, des bords tranchants et des pièces mobiles.** Les cordons endommagés ou enchevêtrés augmentent les risques de choc électrique.
- e) **Pour l'utilisation d'un outil électrique à l'extérieur, se servir d'une rallonge convenant à cette application.** L'utilisation d'une rallonge conçue pour l'extérieur réduira les risques de choc électrique.
- f) **S'il est impossible d'éviter l'utilisation d'un outil électrique dans un endroit humide, brancher l'outil dans une prise ou sur un circuit d'alimentation dotés d'un disjoncteur de fuite à la terre (GFCI).** L'utilisation de ce type de disjoncteur réduit les risques de choc électrique.

### 3) SÉCURITÉ PERSONNELLE

- a) **Être vigilant, surveiller le travail effectué et faire preuve de jugement lorsqu'un outil électrique est utilisé. Ne pas utiliser d'outil électrique en cas de fatigue ou sous l'influence de drogues, d'alcool ou de médicaments.** Un simple moment d'inattention en utilisant un outil électrique peut entraîner des blessures corporelles graves.
- b) **Utiliser des équipements de protection individuelle. Toujours porter une protection oculaire.** L'utilisation d'équipements de protection comme un masque antipoussière, des chaussures antidérapantes, un casque de sécurité ou des protecteurs auditifs lorsque la situation le requiert réduira les risques de blessures corporelles.
- c) **Empêcher les démarrages intempestifs. S'assurer que l'interrupteur se trouve à la position d'arrêt avant de**

**relier l'outil à une source d'alimentation et/ou d'insérer un bloc-piles, de ramasser ou de transporter l'outil.** Transporter un outil électrique alors que le doigt repose sur l'interrupteur ou brancher un outil électrique dont l'interrupteur est à la position de marche risque de provoquer un accident.

- d) **Retirer toute clé de réglage ou clé avant de démarrer l'outil.** Une clé ou une clé de réglage attachée à une partie pivotante de l'outil électrique peut provoquer des blessures corporelles.
  - e) **Ne pas trop tendre les bras. Conserver son équilibre en tout temps.** Cela permet de mieux maîtriser l'outil électrique dans les situations imprévues.
  - f) **S'habiller de manière appropriée. Ne pas porter de vêtements amples ni de bijoux. Garder les cheveux, les vêtements et les gants à l'écart des pièces mobiles.** Les vêtements amples, les bijoux ou les cheveux longs risquent de rester coincés dans les pièces mobiles.
  - g) **Si des composants sont fournis pour le raccordement de dispositifs de dépoussiérage et de ramassage, s'assurer que ceux-ci sont bien raccordés et utilisés.** L'utilisation d'un dispositif de dépoussiérage peut réduire les dangers engendrés par les poussières.
- ### 4) UTILISATION ET ENTRETIEN D'UN OUTIL ÉLECTRIQUE
- a) **Ne pas forcer un outil électrique. Utiliser l'outil électrique approprié à l'application.** L'outil électrique approprié effectuera un meilleur travail, de façon plus sûre et à la vitesse pour laquelle il a été conçu.
  - b) **Ne pas utiliser un outil électrique dont l'interrupteur est défectueux.** Tout outil électrique dont l'interrupteur est défectueux est dangereux et doit être réparé.
  - c) **Débrancher la fiche de la source d'alimentation et/ou du bloc-piles de l'outil électrique avant de faire tout réglage ou changement d'accessoire ou avant de ranger l'outil.**



Ces mesures préventives réduisent les risques de démarrage accidentel de l'outil électrique.

- d) **Ranger les outils électriques hors de la portée des enfants et ne permettre à aucune personne n'étant pas familière avec un outil électrique ou son mode d'emploi d'utiliser cet outil.** Les outils électriques deviennent dangereux entre les mains d'utilisateurs inexpérimentés.
- e) **Entretien des outils électriques. Vérifier si les pièces mobiles sont mal alignées ou coincées, si des pièces sont brisées ou présentent toute autre condition susceptible de nuire au bon fonctionnement de l'outil électrique. En cas de dommage, faire réparer l'outil électrique avant toute nouvelle utilisation.** Beaucoup d'accidents sont causés par des outils électriques mal entretenus.
- f) **S'assurer que les outils de coupe sont aiguisés et propres.** Les outils de coupe bien entretenus et affûtés sont moins susceptibles de se coincer et sont plus faciles à maîtriser.
- g) **Utiliser l'outil électrique, les accessoires, les forets, etc. conformément aux présentes directives en tenant compte des conditions de travail et du travail à effectuer.** L'utilisation d'un outil électrique pour toute opération autre que celle pour laquelle il a été conçu est dangereuse.

## 5) UTILISATION ET ENTRETIEN DU BLOC-PILES

- a) **Ne recharger l'outil qu'au moyen du chargeur précisé par le fabricant.** L'utilisation d'un chargeur qui convient à un type de bloc-piles risque de provoquer un incendie s'il est utilisé avec un autre type de bloc-piles.
- b) **Utiliser les outils électriques uniquement avec les blocs-piles conçus à cet effet.** L'utilisation de tout autre bloc-piles risque de causer des blessures ou un incendie.
- c) **Lorsque le bloc-piles n'est pas utilisé, le tenir éloigné des objets métalliques, notamment des trombones, de la monnaie, des clés, des clous, des vis ou autres petits**

**objets métalliques qui peuvent établir une connexion entre les deux bornes.** Le court-circuit des bornes du bloc-piles risque de provoquer des brûlures ou un incendie.

- d) **En cas d'utilisation abusive, le liquide peut gicler hors du bloc-piles; éviter tout contact avec ce liquide. Si un contact accidentel se produit, laver à grande eau. Si le liquide entre en contact avec les yeux, obtenir également des soins médicaux.** Le liquide qui gicle hors du bloc-piles peut provoquer des irritations ou des brûlures.

## 6) RÉPARATION

- a) **Faire réparer l'outil électrique par un réparateur professionnel en n'utilisant que des pièces de rechange identiques.** Cela permettra de maintenir une utilisation sécuritaire de l'outil électrique.

## Règles de sécurité additionnelles – Scies à ruban portables

- **Tenir l'outil électrique par les surfaces isolées prévues à cet effet pendant toute utilisation où l'organe de coupe pourrait entrer en contact avec des fils électriques cachés.** Tout contact de l'organe de coupe avec un fil sous tension mettra les parties métalliques exposées de l'outil électrique sous tension et électrocutera l'utilisateur.
- **Éloigner les mains des zones et organes de coupe.**
- **S'assurer systématiquement que la scie à ruban portable est propre avant toute utilisation.**
- **Arrêter systématiquement toute opération si une anomalie quelconque est décelée.**
- **S'assurer systématiquement que tous les composants sont installés correctement et solidement avant toute utilisation de l'outil.**
- **Prendre systématiquement des précautions lors de l'installation et du retrait de la lame de la scie à ruban.**

- **Éloigner systématiquement les mains de la ligne de coupe de la scie à ruban.**
- **Attendre systématiquement que le moteur tourne à plein régime avant d'entamer une coupe.**
- **Maintenir les poignées propres et sèches, exempts d'huile ou de graisse.** Maintenir l'outil fermement pendant son utilisation.
- **Rester constamment vigilant, particulièrement lors d'opérations répétitives et monotones.** Rester systématiquement conscient de la position des mains par rapport à la lame.
- **Ne jamais retirer la butée de coupe.**
- **Se protéger de la chute de tout rebus pendant la coupe.** Ils pourraient être brûlants, coupants et/ou lourds et poser des risques de dommages corporels sérieux.
- **Prendre des précautions à proximité des événements, car ils cachent des pièces mobiles.** Vêtements amples, bijoux ou cheveux longs risquent de rester coincés dans ces pièces mobiles.

**⚠ AVERTISSEMENT :** porter **SYSTÉMATIQUEMENT** des lunettes de protection. Les lunettes courantes NE sont PAS des lunettes de protection. Utiliser aussi un masque antipoussières si la découpe doit en produire beaucoup. **PORTER SYSTÉMATIQUEMENT UN ÉQUIPEMENT DE SÉCURITÉ HOMOLOGUÉ :**

- Protection oculaire ANSI Z87.1 (CAN/CSA Z94.3) ;
- Protection auditive ANSI S12.6 (S3.19) ;
- Protection des voies respiratoires NIOSH/OSHA/MSHA.

**⚠ AVERTISSEMENT :** les scies, meules, ponceuses, perceuses ou autres outils de construction peuvent produire des poussières contenant des produits chimiques reconnus par l'État californien pour causer cancers, malformations congénitales ou être nocifs au système reproducteur. Parmi ces produits chimiques, on retrouve :

- Le plomb dans les peintures à base de plomb ;

- La silice cristallisée dans les briques et le ciment, ou autres produits de maçonnerie; et
- L'arsenic et le chrome dans le bois ayant subi un traitement chimique.

Le risque associé à de telles expositions varie selon la fréquence à laquelle on effectue ces travaux. Pour réduire toute exposition à ces produits : travailler dans un endroit bien aéré, en utilisant du matériel de sécurité homologué, tel un masque antipoussières spécialement conçu pour filtrer les particules microscopiques.

- **Limiter toute exposition prolongée avec les poussières provenant du ponçage, sciage, meulage, perçage ou toute autre activité de construction. Porter des vêtements de protection et nettoyer à l'eau savonneuse les parties du corps exposées.** Le fait de laisser la poussière pénétrer dans la bouche, les yeux ou la peau peut favoriser l'absorption de produits chimiques dangereux.

**⚠ AVERTISSEMENT :** cet outil peut produire et/ou répandre de la poussière susceptible de causer des dommages sérieux et permanents au système respiratoire. Utiliser systématiquement un appareil de protection des voies respiratoires homologué par le NIOSH ou l'OSHA. Diriger les particules dans le sens opposé au visage et au corps.

**⚠ AVERTISSEMENT :** pendant l'utilisation, porter systématiquement une protection auditive individuelle adéquate homologuée ANSI S12.6 (S3.19). Sous certaines conditions et suivant la durée d'utilisation, le bruit émanant de ce produit pourrait contribuer à une perte de l'acuité auditive.

**⚠ ATTENTION :** après utilisation, ranger l'outil sur son côté, sur une surface stable, là où il ne pourra ni faire trébucher ni faire chuter quelqu'un. Certains outils équipés d'un large bloc-piles peuvent tenir à la verticale sur celui-ci, mais manquent alors de stabilité.

- L'étiquette apposée sur votre outil peut inclure les symboles suivants. Les symboles et leur définition sont indiqués ci-après :
 

V..... volts	A.....ampères
Hz..... hertz	W.....watts
min ..... minutes	~ ou AC.....courant alternatif
=== ou DC...courant continu	⋈ ou AC/DC... courant alternatif
Ⓜ..... classe I fabrication (mis à la terre)	ou continu
Ⓜ..... fabrication classe II (double isolation)	n <sub>0</sub> .....vitesse à vide
.../min ... par minute	n .....vitesse nominale
IPM..... impacts par minute	⊕.....borne de terre
BPM ..... battements par minute	⚠.....symbole d'avertissement
sfpm ..... pieds linéaires par minute (plpm)	SPM (FPM) ...fréquence par minute
	r/min .....tours par minute
	⚠.....rayonnement visible

## Consignes importantes de sécurité propres à tous les blocs-piles

Pour commander un bloc-piles de rechange, s'assurer d'inclure son numéro de catalogue et sa tension. Consulter le tableau en dernière page de ce manuel pour connaître les compatibilités entre chargeurs et blocs-piles.

Le bloc-piles n'est pas totalement chargé d'usine. Avant d'utiliser le bloc-piles et le chargeur, lire les consignes de sécurité ci-dessous. Puis suivre la procédure de charge indiquée.

## LIRE TOUTES LES CONSIGNES

- **Ne pas recharger ou utiliser un bloc-piles en milieu déflagrant, en présence, par exemple, de poussières, gaz ou liquides inflammables.** Le fait d'insérer ou retirer un bloc-piles de son chargeur pourrait causer l'inflammation de poussières ou d'émanations.
- **NE JAMAIS forcer l'insertion d'un bloc-piles dans un chargeur. NE modifier un bloc-piles d'AUCUNE façon pour le faire rentrer dans un chargeur incompatible, car il pourrait se briser et causer des dommages corporels graves.** Consulter le tableau en dernière page de ce manuel pour connaître les compatibilités entre chargeurs et blocs-piles.
- Recharger les blocs-piles exclusivement dans des chargeurs DEWALT.
- **NE PAS** éclabousser le bloc-piles ou l'immerger dans l'eau ou dans tout autre liquide.
- **Ne pas entreposer ou utiliser l'appareil et le bloc-piles en présence de températures ambiantes pouvant excéder 40 °C (104 °F) (comme dans des hangars ou des bâtiments métalliques l'été).** Pour préserver leur durée de vie, entreposer les blocs-piles dans un endroit frais et sec.  
**REMARQUE : ne pas mettre un bloc-piles dans un outil dont la gâchette est verrouillée en position de marche. Ne jamais bloquer l'interrupteur en position de MARCHÉ.**

**⚠AVERTISSEMENT : risques d'incendie.** Ne jamais tenter d'ouvrir le bloc-piles pour quelque raison que ce soit. Si le boîtier du bloc-piles est fissuré ou endommagé, ne pas l'insérer dans un chargeur. Ne pas écraser, laisser tomber, ou endommager les blocs-piles. Ne pas utiliser un bloc-piles ou un chargeur qui a reçu un choc violent, ou si l'appareil est tombé, a été écrasé ou endommagé de quelque façon

que ce soit (p. ex. percé par un clou, frappé d'un coup de marteau, piétiné). Les blocs-piles endommagés doivent être renvoyés à un centre de réparation pour y être recyclés.

**⚠️AVERTISSEMENT : risques d'incendie.** Au moment de ranger ou transporter le bloc-piles, s'assurer qu'aucun objet métallique n'entre en contact avec les bornes à découvert du bloc-piles. Par exemple, éviter de placer un bloc-piles dans un tablier, une poche, une boîte à outils ou un tiroir, etc. contenant des objets tels que des clous, des vis, des clés, etc. **Le fait de transporter des bloc-piles comporte des risques d'incendie, car les bornes des piles pourraient entrer, par inadvertance, en contact avec des objets conducteurs, tels que : clés, pièces de monnaie, outils ou autres.** La réglementation sur les produits dangereux (Hazardous Material Regulations) du département américain des transports interdit, en fait, le transport des piles pour le commerce ou dans les avions (ex : dans les bagages enregistrés ou à main) À MOINS qu'elles ne soient correctement protégées contre tout court-circuit. Aussi lors du transport individuel de blocs-piles, s'assurer que leurs bornes sont bien protégées et isolées de tout matériau pouvant entrer en contact avec elles et provoquer un court-circuit.

### CONSIGNES DE SÉCURITÉ PROPRES AUX PILES AU LITHIUM-ION (Li-Ion)

- **Ne pas incinérer le bloc-piles même s'il est sévèrement endommagé ou complètement usagé, car il pourrait exploser et causer un incendie.** Pendant l'incinération des blocs-piles au lithium-ion, des vapeurs et matières toxiques sont dégagées.
- **En cas de contact du liquide de la pile avec la peau, rincer immédiatement au savon doux et à l'eau.** En cas de contact oculaire, rincer l'œil ouvert à l'eau claire une quinzaine de minutes ou jusqu'à ce que l'irritation cesse. Si des soins médicaux s'avéraient nécessaires, noter que l'électrolyte de la pile est composé d'un mélange de carbonates organiques liquides et de sels de lithium.

- **Le contenu des cellules d'une pile ouverte peut causer une irritation respiratoire.** En cas d'inhalation, exposer l'individu à l'air libre. Si les symptômes persistent, consulter un médecin.

**⚠️AVERTISSEMENT : risques de brûlure.** Le liquide de la pile peut s'enflammer s'il est exposé à des étincelles ou à une flamme.

### Le sceau SRPRC®

Le sceau SRPRC® (Société de recyclage des piles rechargeables du Canada) apposé sur une pile au nickel-cadmium, à hydrure métallique de nickel ou au lithium-ion (ou un bloc-piles) indique que les coûts de recyclage de ces derniers en fin d'utilisation ont déjà été réglés par DEWALT. Dans certaines régions, la mise au rebut ou aux ordures municipales des piles au nickel-cadmium, à l'hydrure métallique de nickel ou au lithium-ion, est illégale ; le programme de l'Appel à Recycler® constitue donc une solution pratique et écologique. Appel à Recycler Canada, Inc., en collaboration avec DEWALT et d'autres utilisateurs de piles, a mis sur pied de programme aux États-Unis et au Canada pour faciliter la collecte des piles au nickel-cadmium, à l'hydrure métallique de nickel ou au lithium-ion usagées. Aidez-nous à protéger l'environnement et à conserver nos ressources naturelles en renvoyant les piles au nickel-cadmium, à l'hydrure métallique de nickel ou au lithium-ion usagées à un centre de réparation autorisé DEWALT ou chez votre détaillant afin qu'elles y soient recyclées. On peut en outre se renseigner auprès d'un centre de recyclage local pour connaître d'autres sites les acceptant. SRPRC® est une marque déposée de l'Appel à Recycler Canada, Inc.



## **Directives de sécurité importantes propres à tous les chargeurs de piles**

**CONSERVER CES INSTRUCTIONS :** ce manuel contient des directives de sécurité et d'utilisation importantes propres aux chargeurs de piles.

- Avant d'utiliser le chargeur, lire toute consigne et tout avertissement apposés sur le chargeur, le bloc-piles et le produit utilisant le bloc-piles.

**⚠AVERTISSEMENT :** risques de chocs électriques. Ne laisser aucun liquide pénétrer dans le chargeur, des chocs électriques pourraient en résulter.

**⚠ATTENTION :** risques de brûlure. Pour réduire tout risque de dommages corporels, ne recharger que des blocs-piles rechargeables DEWALT. Tout autre type de piles pourrait exploser et causer des dommages corporels et matériels.

**AVIS :** sous certaines conditions, lorsque le chargeur est connecté au bloc d'alimentation, des matériaux étrangers pourraient court-circuiter le chargeur. Les corps étrangers conducteurs tels que (mais pas limité à) poussières de rectification, débris métalliques, laine d'acier, feuilles d'aluminium, ou toute accumulation de particules métalliques doivent être maintenus à distance des orifices du chargeur. Débrancher systématiquement le chargeur lorsque le bloc-piles n'y est pas inséré. Débrancher systématiquement le chargeur avant tout entretien.

- **NE PAS tenter de charger de bloc-piles avec des chargeurs autres que ceux décrits dans ce manuel.** Le chargeur et son bloc-piles ont été conçus tout spécialement pour fonctionner ensemble.
- **Ces chargeurs n'ont pas été conçus pour une utilisation autre que recharger les blocs-piles rechargeables DEWALT.**

Toute autre utilisation comporte des risques d'incendie, de chocs électriques ou d'électrocution.

- **Protéger le chargeur de la pluie ou de la neige.**
- **Tirer sur la fiche plutôt que sur le cordon pour débrancher le chargeur.** Cela permet de réduire les risques d'endommager la fiche ou le cordon d'alimentation.
- **S'assurer que le cordon est protégé de manière à ce que personne ne marche ni ne trébuche dessus, ou à ce qu'il ne soit ni endommagé ni soumis à aucune tension.**
- **N'utiliser une rallonge qu'en cas de nécessité absolue.** L'utilisation d'une rallonge inadéquate comporte des risques d'incendie, de chocs électriques ou d'électrocution.
- **Pour utiliser un chargeur à l'extérieur, le placer dans un endroit sec et utiliser une rallonge conçue pour l'extérieur.** L'utilisation d'une rallonge conçue pour l'extérieur réduit les risques de chocs électriques.
- **Pour la sécurité de l'utilisateur, utiliser une rallonge de calibre adéquat (AWG, American Wire Gauge [calibrage américain normalisé des fils électriques]).** Plus le calibre est petit, et plus sa capacité est grande. Un calibre 16, par exemple, a une capacité supérieure à un calibre 18. L'usage d'une rallonge de calibre insuffisant causera une chute de tension qui entraînera perte de puissance et surchauffe. Si plus d'une rallonge est utilisée pour obtenir une certaine longueur, s'assurer que chaque rallonge présente au moins le calibre de fil minimum. Le tableau ci-dessous illustre les calibres à utiliser selon la longueur de rallonge et l'intensité nominale indiquée sur la plaque signalétique. En cas de doute, utiliser le calibre suivant. Plus le calibre est petit, plus la rallonge peut supporter de courant.

Calibres minimaux des rallonges						
Intensité (en ampères)		volts	Longueur totale de cordon en mètres (pieds)			
		120 V	7,6 (25)	15,2 (50)	30,5 (100)	45,7 (150)
		240 V	15,2 (50)	30,5 (100)	61,0 (200)	91,4 (300)
Supérieur à	Inférieur à	AWG				
0	6	18	16	16	14	
6	10	18	16	14	12	
10	12	16	16	14	12	
12	16	14	12	Non recommandé		

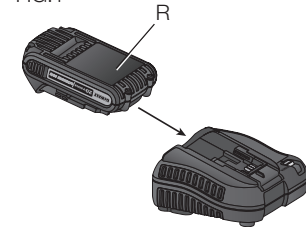
- **Ne poser aucun objet sur le chargeur. Ne pas mettre le chargeur sur une surface molle qui pourrait en bloquer la ventilation et provoquer une surchauffe interne.** Éloigner le chargeur de toute source de chaleur. Le chargeur dispose d'orifices d'aération sur le dessus et le dessous du boîtier.
- **Ne pas le faire fonctionner avec un cordon d'alimentation ou une fiche endommagée.**
- **Ne pas utiliser le chargeur s'il a reçu un coup, fait une chute ou a été endommagé de quelque façon que ce soit.** Le ramener dans un centre de réparation agréé.
- **Ne pas démonter le chargeur. Pour tout service ou réparation, le rapporter dans un centre de réparation agréé.** Le fait de le réassembler de façon incorrecte comporte des risques de chocs électriques, d'électrocution et d'incendie.
- **Débrancher le chargeur du secteur avant tout entretien. Cela réduira tout risque de chocs électriques.** Le fait de retirer le bloc-piles ne réduira pas ces risques.

- **NE JAMAIS tenter de connecter 2 chargeurs ensemble.**
- **Le chargeur a été conçu pour être alimenté en courant électrique domestique standard de 120 volts. Ne pas tenter de l'utiliser avec toute autre tension.** Cela ne s'applique pas aux chargeurs de postes mobiles.

## Chargeurs

L'outil utilise un chargeur DEWALT. S'assurer de bien lire toutes les directives de sécurité avant d'utiliser le chargeur. Consulter le tableau figurant à la fin du présent mode d'emploi pour connaître la compatibilité des chargeurs et des blocs-piles.

FIG.1



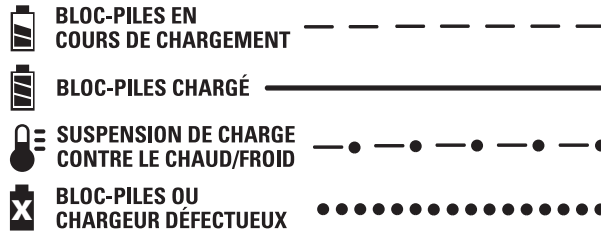
## Procédure de charge (Fig. 1)

1. Branchez le chargeur dans la prise appropriée avant d'y insérer le bloc-piles.
2. Insérez le bloc-piles (R) dans le chargeur, comme illustré en Figure 1, en vous assurant qu'il y est correctement calé. Le voyant rouge (charge) clignotera de façon continue indiquant que le cycle de chargement a commencé.
3. En fin de charge, le voyant rouge restera ALLUMÉ de façon continue. Le bloc-piles est alors complètement chargé et peut être utilisé ou laissé dans le chargeur.

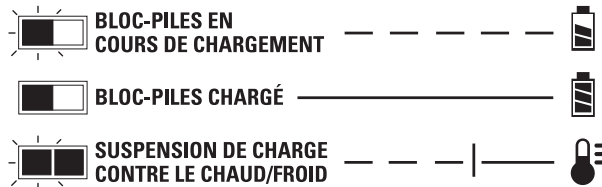


## Fonctionnement du voyant

**DCB101, DCB102, DCB103**



**DCB107, DCB112, DCB113, DCB115**



## Voyants de charge

Ce chargeur a été conçu pour détecter les problèmes pouvant survenir. Un voyant rouge clignotant rapidement indique qu'il y a un problème. Dans cette éventualité, réinsérez le bloc-piles dans le chargeur. Si le problème persiste, essayez un autre bloc-piles pour déterminer si le chargeur fonctionne. Si le nouveau bloc-piles se recharge correctement, le bloc-piles initial est endommagé et doit être retourné dans un centre de réparation ou tout autre site de récupération pour y être recyclé. Si

l'on obtient le même résultat avec le nouveau bloc-piles, faites vérifier le chargeur et le bloc-piles chez un centre de réparation agréé.

## FONCTION DE SUSPENSION DE CHARGE CONTRE LE CHAUD/FROID

**DCB101, DCB102, DCB103**

Ces chargeurs ont une fonctionnalité de délai chaud/froid. Lorsque le chargeur détecte qu'une batterie est trop chaude ou trop froide, un délai se met automatiquement en marche, arrêtant temporairement la charge. Le voyant rouge clignote lentement, puis rapidement en mode délai chaud/froid.

Une fois que la batterie a atteint une température optimale, le chargeur reprendra automatiquement la charge. Cette fonctionnalité assure une durée de vie maximum de la batterie.

**DCB107, DCB112, DCB113, DCB115**

Ces chargeurs ont une fonctionnalité de délai chaud/froid. Lorsque le chargeur détecte qu'une batterie est trop chaude ou trop froide, un délai se met automatiquement en marche, arrêtant temporairement la charge. Le voyant rouge continuera de clignoter mais un indicateur jaune s'allumera pendant la mise en veille de la charge.

Une fois que la batterie a atteint une température optimale, le voyant jaune s'éteindra et le chargeur reprendra automatiquement la charge. Cette fonctionnalité assure une durée de vie maximum de la batterie.

## LAISSER LE BLOC-PILES DANS LE CHARGEUR

Le chargeur et son bloc-piles peuvent rester connectés, le voyant du chargeur affichant alors Bloc-piles chargé.

**BLOCS-PILES FAIBLES** : les blocs-piles faibles continueront de fonctionner, mais il faudra s'attendre à un rendement moindre.



## **BLOCS-PILES DÉFECTUEUX**

### ***DCB101, DCB102, DCB103***

Ces chargeurs ne chargent pas les blocs-piles défectueux. Le chargeur indiquera qu'un bloc-piles est défectueux en refusant de s'allumer ou en affichant bloc-piles ou chargeur défectueux.

**REMARQUE** : cela pourra aussi indiquer un problème avec le chargeur.

### ***DCB107, DCB112, DCB113, DCB115***

Ces chargeurs ne chargent pas les blocs-piles défectueux. Le chargeur indiquera qu'un bloc-piles est défectueux en refusant de s'allumer.

**REMARQUE** : cela pourra aussi indiquer un problème avec le chargeur.

## **Installation murale**

### ***DCB107, DCB112, DCB113, DCB115***

Ces chargeurs ont été conçus pour une installation murale ou pour être posés sur une table ou une surface de travail.

Pour une fixation murale, installez le chargeur à proximité d'une prise électrique. Fixez soigneusement le chargeur au mur à l'aide de vis à placoplâtre d'au moins 25,4 mm (1 po) de long. Vissez-les dans le bois en laissant une longueur d'environ 5,5 mm (7/32 po) exposée.

## **Remarques importantes concernant le chargement**

1. Pour augmenter la durée de vie du bloc-piles et optimiser son rendement, le recharger à une température ambiante de 18 ° à 24 °C (65 °F à 75 °F). NE PAS recharger le bloc-piles à une température inférieure à + 4,5 °C (+ 40 °F) ou supérieure à + 40 °C (+ 104 °F). C'est important pour prévenir tout dommage sérieux au bloc-piles.
2. Le chargeur et son bloc-piles peuvent devenir chauds au toucher pendant la charge. C'est normal et ne représente en aucun cas une défaillance du produit. Pour faciliter le refroidissement du bloc-piles après utilisation, éviter de laisser le chargeur ou le bloc-piles dans un local où la température ambiante est élevée comme dans un hangar métallique ou une remorque non isolée.
3. Un bloc-piles froid se rechargera deux fois moins vite qu'un bloc-piles chaud. Le bloc-piles se rechargera à un rythme plus lent tout au cours du cycle de charge et ne retournera pas à sa capacité maximale de charge même s'il venait à se réchauffer.
4. Si le bloc-piles ne se recharge pas correctement :
  - a. Vérifier le bon fonctionnement de la prise en y branchant une lampe ou tout autre appareil électrique.
  - b. Vérifier que la prise n'est pas contrôlée par un interrupteur qui coupe le courant lorsqu'on éteint les lumières.
  - c. Déplacer le chargeur et le bloc-piles dans un local où la température ambiante se trouve entre environ 18 ° et 24 °C (65 °F et 75 °F).
  - d. Si le problème persiste, amener l'outil, le bloc-piles et son chargeur dans un centre de réparation local.
5. Recharger le bloc-piles lorsqu'il ne produit plus assez de puissance pour effectuer un travail qu'il faisait facilement auparavant. NE PAS CONTINUER à l'utiliser dans ces conditions. Suivre la procédure de charge. Si nécessaire, il est aussi possible de recharger un bloc-piles partiellement déchargé sans effet nuisible sur le bloc-piles.
6. Les corps étrangers conducteurs tels que (mais pas limité à) poussières de rectification, débris métalliques, laine d'acier, feuilles d'aluminium, ou toute accumulation de particules métalliques doivent être maintenus à distance des orifices du chargeur. Débrancher systématiquement le chargeur lorsque le bloc-piles

n'y est pas inséré. Débrancher systématiquement le chargeur avant tout entretien.

7. Ne pas congeler ou immerger le chargeur dans l'eau ou tout autre liquide.

**⚠️AVERTISSEMENT :** *risques de chocs électriques. Ne laisser aucun liquide pénétrer dans le chargeur, des chocs électriques pourraient en résulter.*

**⚠️AVERTISSEMENT :** *risque de brûlure. Ne submerger le bloc-piles dans aucun liquide et le protéger de toute infiltration de liquide. Ne jamais tenter d'ouvrir le bloc-piles pour quelque raison que ce soit. Si le boîtier plastique du bloc-piles est brisé ou fissuré, le retourner dans un centre de réparation pour y être recyclé.*

### **Recommandations de stockage**

1. Le lieu idéal de rangement est un lieu frais et sec, à l'abri de toute lumière solaire directe et de toute température excessive.
2. Pour un stockage prolongé, il est recommandé d'entreposer le bloc-piles pleinement chargé dans un lieu frais et sec, hors du chargeur pour optimiser les résultats.

**REMARQUE :** les blocs-piles ne devraient pas être entreposés complètement déchargés. Il sera nécessaire de recharger le bloc-piles avant réutilisation.

## **CONSERVER CES CONSIGNES POUR UTILISATION ULTÉRIEURE**

### **DESCRIPTION (Fig. 2, 4)**

**⚠️AVERTISSEMENT :** *ne jamais modifier l'outil électrique ni aucun de ses composants, car il y a risques de dommages corporels ou matériels.*

- A. Poignée étrier multi-position
- B. Bouton de verrouillage d'arrêt
- C. Gâchette
- D. Poignée principale
- E. Butée de coupe (Fig. 2, 4)
- F. Galet de guidage (Fig. 4)
- G. Écrou de verrouillage de réglage
- H. Vis de réglage
  - I. Levier de réglage de tension de lame
- J. Clé hexagonale
- K. Régulateur de vitesse
- L. Lampe de travail
- M. Crochet desuspension (Fig.4)
- N. Poulie (Fig. 4)
- O. Carter de lame (Fig. 4)
- P. Bandage en caoutchouc (Fig. 4)
- Q. Lame (Fig. 2, 4)

### **USAGE PRÉVU**

Cette scie à ruban industrielle a été conçue pour la découpe professionnelle du métal.

**NE PAS** l'utiliser en milieu ambiant humide ou en présence de liquides ou de gaz inflammables.

Cette scie à ruban est un outil électrique de professionnels. **NE PAS** la laisser à la portée des enfants. Une supervision est nécessaire auprès de tout utilisateur non expérimenté.

### **Gâchette à vitesse variable (Fig. 2, 3)**

#### **BOUTON DE VERROUILLAGE ET GÂCHETTE**

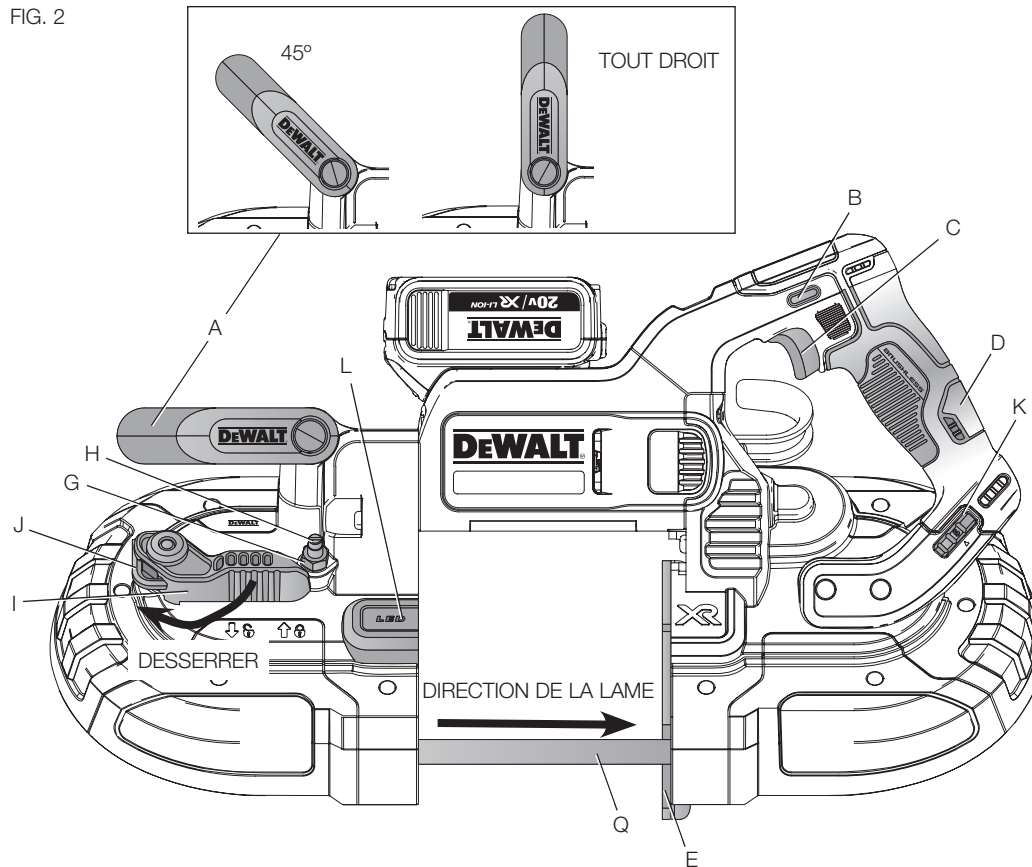
Votre scie est équipée d'un bouton de verrouillage (B).

Pour verrouiller la gâchette (C), appuyer sur le bouton de verrouillage (Fig. 3). Toujours verrouiller la gâchette (C) avant de transporter ou ranger l'outil pour éliminer tout démarrage accidentel.

Pour déverrouiller la gâchette, appuyer sur le bouton de verrouillage (Fig. 3). Pousser la gâchette pour mettre le moteur en marche. Dégager la gâchette pour arrêter le moteur.

**⚠️AVERTISSEMENT :** *cet outil n'est pas équipé d'un bouton de verrouillage pour le maintenir en position de marche, et ne doit en*

FIG. 2

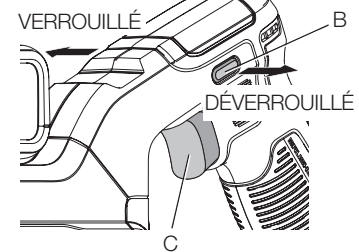


aucune manière être verrouillé par tout autre moyen.

La gâchette à vitesse variable offre une grande versatilité. Plus loin la gâchette est poussée plus grande est la vitesse atteinte par la scie.

**⚠ATTENTION :** la vitesse très lente n'est recommandé que pour débiter une coupe. L'utilisation prolongée d'une vitesse lente pourrait endommager la scie.

FIG. 3



**Lampe de travail (Fig. 2)**

**⚠ATTENTION :** ne pas regarder directement le faisceau de la lampe. Risque de lésions oculaires graves.

Une lampe de travail (L) est située au-dessus de la lame. La lampe de travail est activée lorsque la gâchette sera activée et elle s'éteindra

automatiquement 20 secondes après la désactivation de la gâchette. Tant que la gâchette reste activée, la lampe de travail reste allumée.

**REMARQUE :** la lampe de travail permet d'éclairer la surface immédiate et n'est pas destinée à servir de lampe de poche.

## Lames

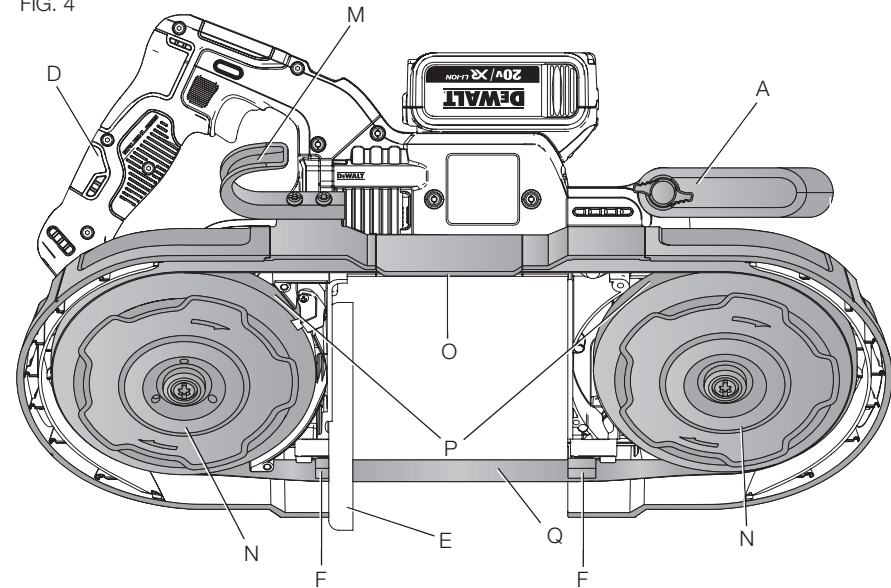
Cette scie à ruban portable a été conçue pour être utilisée avec des lames de 0,5 mm (0,020 po) d'épaisseur, 12,5 mm (1/2 po) de largeur et 1140 mm (44-7/8 po) de longueur. **NE PAS** utiliser de lames de 0,64 mm (0,025 po) d'épaisseur.

**⚠ AVERTISSEMENT :** l'utilisation de toute autre lame ou tout autre accessoire comporte des risques. **NE PAS** utiliser tout autre type d'accessoire avec votre scie à ruban. Les lames utilisées sur des scies à ruban fixes sont d'épaisseurs différentes. Ne pas tenter de les utiliser sur votre outil portable.

## Sélection de la lame

De façon générale, considérez d'abord la taille et la forme de la pièce à travailler ainsi que le type de matériau à couper. Rappelez-vous que, pour une coupe optimale, il est conseillé d'utiliser la denture de scie la plus grosse possible pour une application donnée, car plus la denture est grosse, plus la coupe est rapide. Lorsque vous choisissez le nombre approprié de dents par pouce sur la lame de scie à ruban, deux dents au minimum devraient se trouver en contact avec la surface de la pièce à travailler lorsque la lame s'y appuie. En règle

FIG. 4



générale, les matériaux tendres requièrent des lames à grosse denture, alors que les matériaux durs, des lames à denture fine. Lorsqu'un fini plus lisse est requis, choisissez une lame à denture plus fine.

Choisissez la lame de scie à ruban appropriée selon le type de matériau et ses dimensions, et le nombre de dents. Se reporter au tableau **Description des lames**.

Le tableau suivant ne se veut être qu'un guide général. Déterminer le type de matériau, les dimensions de la pièce à travailler puis choisir la lame de scie à ruban la plus appropriée.

**AVIS :** Ne jamais utiliser la scie à ruban pour couper des matériaux en résine, car ceux-ci pourraient fondre. La fonte du matériau en résine causée par la forte chaleur générée lors de la coupe peut faire que la lame de la scie à ruban reste collée au matériau, et provoquer surchauffe et grillage du moteur.

DESCRIPTION DES LAMES				
Type de lame de scie à ruban	Bimétallique			
Nombre de dents	24	18	14	14/18
Épaisseur de la pièce				
Égal ou inférieur à 3,2 mm (1/8 po)	•	•		
3,2–6,4 mm (1/8 po–1/4 po)			•	•

### Vitesse de lame

La scie à ruban portable DCS374 est équipée d'un variateur de vitesse pour plus de flexibilité. Tournez le régulateur de vitesse (K) pour choisir la vitesse désirée (Fig. 2). La vitesse 1 est la plus lente, la vitesse 5, la plus rapide. Utilisez les paramètres de vitesse 1 à 5.

Pour couper le cuivre, le laiton, le bronze, l'aluminium, la fonte, les cornières et l'acier doux, utilisez une vitesse élevée.

Pour couper les tuyaux en plastique, les aciers plus durs, l'acier au chrome, l'acier au tungstène, l'acier inoxydable, et tout autre matériau délicat, utilisez une vitesse réduite.

**REMARQUE :** Lorsqu'on découpe des tuyaux en plastique, une vitesse élevée pourrait faire fondre le plastique.

### Alignement de lame (Fig. 2)

**⚠ AVERTISSEMENT :** pour réduire le risque de blessures graves, éteindre l'outil et retirer le bloc-piles avant d'effectuer tout réglage et d'enlever ou d'installer tout accessoire. Un démarrage accidentel peut provoquer des blessures.

Votre scie à ruban est équipée d'un mécanisme de réglage d'alignement de lame pour garantir un alignement de lame correct et constant. Le bord antérieur d'une lame correctement alignée courra légèrement le long de l'un ou des deux galets de support sur les guides pour lame. (La pression entre le bord de la lame et le galet sera très légère et n'endommagera ni la lame ni le galet.)

### RÉGLAGE D'ALIGNEMENT DE LAME

1. Utilisez une clé de 13 mm (1/2 po) pour desserrer l'écrou de verrouillage de réglage (G), illustré en Figure 2, en lui donnant un ou deux tours vers la gauche.
2. Utilisez un tournevis pour visser la vis de réglage (H) d'un quart de tour. Faire tourner la vis vers la droite rapprochera la lame des galets de guidage de lame. Faire tourner la vis vers la gauche éloignera la lame des galets.
3. Ajustez de façon à ce que le bord antérieur de la lame touche légèrement les galets puis resserrez fermement l'écrou de verrouillage de réglage. (Il sera nécessaire de brancher la scie et de la mettre en marche pour en vérifier l'alignement.)
4. Vérifiez l'alignement de lame à chaque essai, et répétez les étapes 1 à 4 autant que nécessaire pour obtenir l'alignement de lame correct.

**⚠ AVERTISSEMENT :** s'assurez que le bloc-piles a été retiré si un réglage d'alignement supplémentaire est nécessaire.

### ASSEMBLAGE ET AJUSTEMENTS

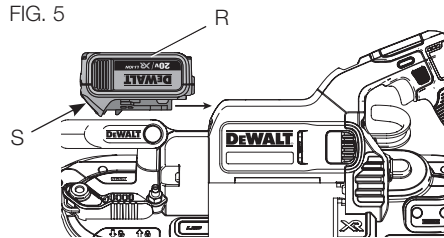
**⚠ AVERTISSEMENT :** pour réduire le risque de blessures graves, éteindre l'outil et retirer le bloc-piles avant d'effectuer tout réglage et d'enlever ou d'installer tout accessoire. Un démarrage accidentel peut provoquer des blessures.

## Installation et retrait du bloc-piles (Fig. 1, 2, 5)

**REMARQUE :** pour des résultats optimums, s'assurer que le bloc-piles est complètement chargé.

Pour installer le bloc-piles (R) dans la poignée de l'outil, poussez d'abord la poignée étrier complètement en avant, puis alignez le bloc-piles sur les rails dans la poignée de l'outil et faites-le glisser fermement en place puis vérifiez qu'il ne s'en détachera pas.

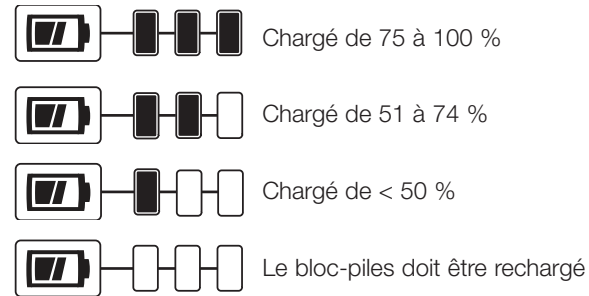
Pour retirer le bloc-piles de l'outil, poussez sur le bouton de libération (S) et tirez fermement le bloc-piles hors de la poignée de l'outil. Insérez-le dans son chargeur comme décrit dans la section appropriée de ce manuel.



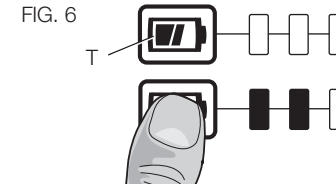
### TÉMOIN DE CHARGE DU BLOC-PILES (FIG. 6)

Certains blocs-piles DEWALT possèdent un témoin de charge qui consiste en trois voyants Del verts indiquant le niveau de charge du bloc-piles.

Le témoin de charge indique approximativement le niveau de charge restant dans le bloc-piles en fonction des voyants suivants :



Pour activer le témoin de charge, maintenez appuyé le bouton du témoin de charge (T). Une combinaison des trois voyants Del verts s'allumera indiquant le niveau de charge. Lorsque le niveau de charge du bloc-pile atteint la limite minimale d'utilisation, le témoin de charge reste éteint et le bloc-piles doit être rechargé.



**REMARQUE :** le témoin de charge ne fait qu'indiquer le niveau de charge du bloc-piles. Il ne donne aucune indication quant au fonctionnement de l'outil. Son propre fonctionnement pourra aussi varier en fonction des composants produit, de la température et de l'application d'utilisation.

Pour plus d'informations quant au témoin de charge du bloc-piles, veuillez appeler le 1-800-4-DEWALT (1-800-433-9258) ou vous rendre sur notre site [www.dewalt.com](http://www.dewalt.com).

## Retrait et installation des lames

**⚠AVERTISSEMENT :** pour réduire tout risque de dommages corporels graves, arrêter et retirer le bloc-piles avant tout réglage ou avant de retirer ou installer toute pièce ou tout accessoire. Tout démarrage accidentel comporte des risques de dommages corporels.

**⚠ATTENTION :** risques de coupure. Le levier de réglage de tension de lame est maintenu sous tension grâce à un ressort. Maintenir le contrôle du levier lorsque la tension de la lame est relâchée.

### POUR RETIRER LA LAME (FIG. 2, 4)

1. Faites tourner à fond le levier de réglage de tension de lame (I) vers la droite pour relâcher la tension sur la lame. (Reportez-vous à la Figure 2).
2. Inversez la scie sur un établi ou une table avec sa poignée sur la droite.
3. Commencez à retirer la lame au niveau de la partie supérieure du protège-lame (O) et continuez autour des poulies (N). Lorsqu'on essaie de retirer la lame, la tension peut se relâcher et causer une brusque libération de la lame. LES LAMES DE SCIE SONT ACÉRÉES. MANIEZ-LES AVEC PRÉCAUTION.
4. Inspectez les galets de guidage (F) et retirez tout large débris qui pourrait s'y être logé. Ces débris peuvent empêcher la rotation des galets de guidage et y occasionner des méplats.
5. Les pneus en caoutchouc (P) sont installés sur les poulies (N). Vérifiez les pneus en caoutchouc pour tout desserrement ou dommage lorsque vous changez la lame. Éliminez tout débris sur les pneus en caoutchouc des poulies. Cela allongera leur durée de vie et préviendra la lame de glisser. En cas de desserrement ou de dommages, apportez l'outil dans un centre de réparation DEWALT

pour le faire réparer ou remplacer, le plus rapidement possible. Le fait de continuer d'utiliser l'outil avec des pneus en caoutchouc desserrés ou endommagés rendra le déplacement de la lame de scie à ruban instable.

### POUR INSTALLER LA LAME (FIG. 2, 4, 7-9)

1. Positionnez la lame de façon à ce que les dents soient en bas et inclinées vers la butée de coupe, comme illustré en Figure 7.

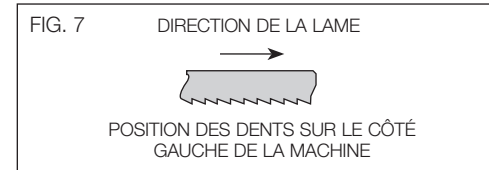
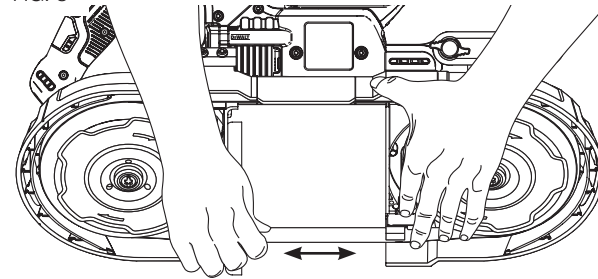


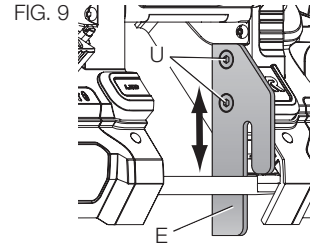
FIG. 8



2. Insérez la lame dans les galets de guidage, comme illustré en Figure 8.



3. En maintenant la lame dans les galets de guidage, installez-la autour des deux poulies (N, Fig. 4) et au travers de la butée de coupe (E), comme illustré en Figure 9.
4. Assurez-vous que la lame est pleinement insérée dans les galets de guidage et parfaitement positionnée contre les pneus en caoutchouc.
5. Faites tourner à fond le levier de réglage de tension de lame (I) vers la gauche, puis inversez délicatement la scie de façon à ce que les poulies soient appuyées sur l'établi ou la table. Assurez-vous que les dents soient en sens inverse par rapport à la scie ruban (Fig. 7).
6. Arrêtez puis remettez la scie en marche plusieurs fois pour vous assurer que la lame est correctement installée.



### Poignée étrier multi-position (Fig. 2)

L'outil est équipé d'une poignée étrier supplémentaire (A) pour son transport ou son utilisation. Installez la poignée étrier en choisissant l'une des multi-positions (avant, 22.5°, 45°, 47.5° droite), comme illustré en Figure 2. Pour changer la position de la poignée étrier, desserrez le bouton de la poignée étrier et placez la poignée dans l'une des trois positions puis resserrez le bouton.

**⚠ AVERTISSEMENT : s'assurer que la molette de la poignée étrier est bien serrée et que la poignée étrier est bien arrimée avant d'utiliser la scie.**

### Réglage de la butée de coupe

Pour étayer de larges pièces, abaissez la butée de coupe en suivant les étapes ci-après :

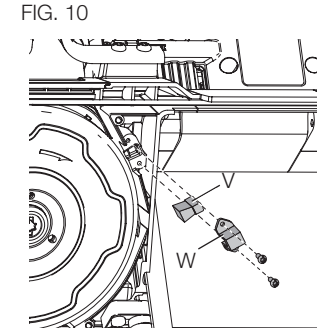
1. Desserrez les deux vis (U), comme illustré en Figure 9, à l'aide de la clé hexagonale (J) fournie à cet effet.
2. Placez la butée de coupe (E) dans la position désirée.
3. Resserrez fermement les vis (U).

### Installation du balai et bouchon du porte-balais (Fig. 10)

**⚠ AVERTISSEMENT : pour réduire le risque de blessures graves, éteindre l'outil et retirer le bloc-piles avant d'effectuer tout réglage et d'enlever ou d'installer tout accessoire. Un démarrage accidentel peut provoquer des blessures.**

**REMARQUE :** l'ensemble balai/bouchon du porte-balai est vendu séparément chez votre distributeur local ou dans les centres de réparation autorisés.

1. Inversez la scie sur un établi ou une table avec sa poignée sur la droite.
2. Premièrement, insérez le balai (V) dans son logement, comme illustré en Figure 10, puis placez dessus le bouchon du porte-balais (W) et vissez soigneusement en place.



### UTILISATION

**⚠ AVERTISSEMENT : pour réduire le risque de blessures graves, éteindre l'outil et retirer le bloc-piles avant d'effectuer tout réglage et d'enlever ou d'installer tout accessoire. Un démarrage accidentel peut provoquer des blessures.**

Cet outil a été conçu pour certaines applications.

La scie à ruban a été conçue pour couper divers types de matériaux jusqu'à un diamètre de 120.7 mm (4-3/4 po) ou une forme rectangulaire de 127 mm (5 po) x 120.7 mm (4-3/4 po), à un angle de 90°.

**⚠AVERTISSEMENT :** éliminer toute trace d'huile ou de graisse sur la pièce à travailler avant de l'arrimer dans un étau ou tout autre dispositif de serrage. Si la pièce n'est pas bien arrimée, elle pourrait glisser pendant la coupe et/ou causer des dommages matériels ou corporels.

## Coupe

Se reporter à la Figure 12 pour voir les positions de coupe recommandées pour différents matériaux.

**REMARQUE :** choisissez et utilisez la lame de scie à ruban la plus appropriée au matériau à découper. Se reporter à la section **Description des lames**.

Cette scie à ruban portable peut être suspendue grâce au crochet (M, Fig. 4). Accrochez l'outil à un étau à tube ou toute autre structure stable adéquate.

**⚠AVERTISSEMENT :** pour réduire tout risque de dommages corporels, utiliser le crochet uniquement pour supporter le poids de l'outil. Ne jamais dépendre sur le crochet pour soutenir votre propre poids ou pour vous aider à maintenir votre équilibre.

**⚠AVERTISSEMENT :** n'utilisez jamais l'outil posé sur une surface de travail en amenant le matériau à l'outil. Arrimez systématiquement la pièce et amenez l'outil à la pièce, en maintenant solidement l'outil à deux mains, comme illustré en Figure 11.

1. Arrimez solidement le matériau à couper à l'aide d'un étau ou tout autre dispositif de serrage.
2. Mettez la butée de coupe (E, Fig. 2) en contact avec la pièce à travailler sans toucher la pièce avec la lame. Mettez la scie en marche.

3. Lorsque la scie atteint la vitesse de rotation désirée, inclinez lentement et fermement le corps de l'outil pour mettre la lame de la scie à ruban en contact avec la pièce. Évitez d'appliquer toute pression autre que celle créée par le poids du corps principal de l'outil. Évitez soigneusement de mettre soudainement et abruptement la lame de la scie à ruban en contact avec la surface supérieure de la pièce. Cela pourrait endommager sérieusement la lame de la scie à ruban. Pour allonger la durée de vie de la lame de la scie à ruban, évitez systématiquement tout impact soudain au début de toute opération de coupe.
4. Comme illustré en Figure 11, des coupes droites peuvent être effectuées en maintenant la lame de la scie à ruban alignée avec la surface latérale du boîtier du moteur. Toute torsion ou inclinaison de la lame fera dérapier la coupe et réduira la durée de vie de la lame.

FIG. 11

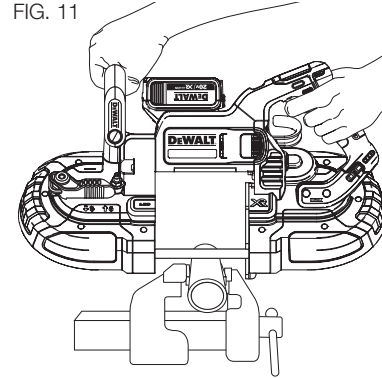
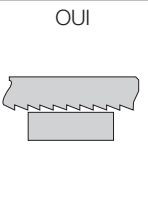
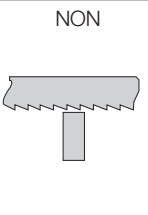
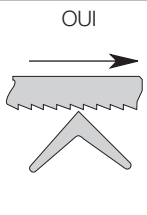
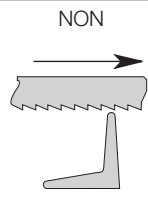
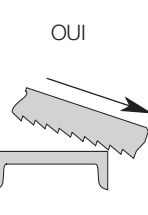
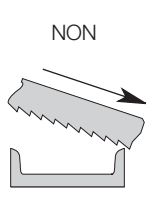
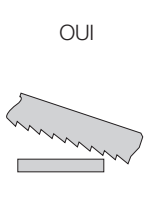
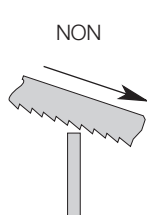
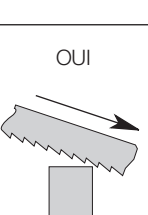
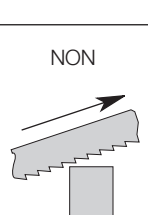
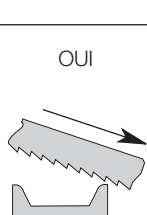
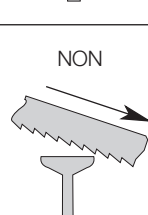


FIG. 12

**POSITIONS DE COUPE RECOMMANDÉES**

OUI 	NON 	OUI 	NON 
OUI 	NON 	OUI 	NON 
OUI 	NON 	OUI 	NON 

**AVIS :** pendant la coupe, si la scie à ruban se bloque ou se coince dans le matériau de la pièce, relâchez immédiatement la gâchette pour éviter d'endommager la lame de la scie à ruban et son moteur.

- Le propre poids de l'outil produit la pression de coupe la plus efficace. Toute pression additionnelle de l'opérateur freine la lame et réduit sa durée de vie.
- Les extrémités de pièces assez lourdes pour causer des dommages corporels en tombant, doivent être étayées. Des souliers de sécurité sont fortement recommandés. Les extrémités de pièces peuvent être brûlantes et acérées.
- Chaque fois que possible, maintenez fermement la scie à deux mains.
- NE CHANGEZ JAMAIS LA VITESSE À MOINS QUE L'OUTIL SOIT ARRÊTÉ.**

**Conseils pour améliorer les coupes**

Les recommandations suivantes doivent vous servir de guide (reportez-vous à la Figure 12). Les résultats peuvent varier selon l'opérateur et le matériau particulier à découper.

- Ne déformez jamais la lame de la scie à ruban pendant l'opération de coupe.
- N'utilisez jamais de réfrigérants fluides avec les scies à ruban portables. L'utilisation de ces derniers pourrait laisser un dépôt sur les pneus et affecter les performances de l'outil.
- En cas de vibrations excessives pendant la coupe, assurez-vous que le matériau à découper est fermement arimé. Si le problème persiste, changez la lame de la scie à ruban.

**MAINTENANCE**

**⚠ AVERTISSEMENT :** pour réduire le risque de blessures graves, éteindre l'outil et retirer le bloc-piles avant d'effectuer tout réglage et d'enlever ou d'installer tout accessoire. Un démarrage accidentel peut provoquer des blessures.

## Lubrification

Des roulements auto-lubrifiants sont utilisés dans cet appareil et aucune lubrification périodique n'est nécessaire. Dans l'éventualité peu probable où une maintenance s'avérerait nécessaire, amenez l'outil dans un centre de réparation agréé.

## Nettoyage

**⚠AVERTISSEMENT** : enlever les saletés et la poussière hors des événements au moyen d'air comprimé propre et sec, au moins une fois par semaine. Pour minimiser le risque de blessure aux yeux, toujours porter une protection oculaire conforme à la norme ANSI Z87.1 lors du nettoyage.

**⚠AVERTISSEMENT** : ne jamais utiliser de solvants ni d'autres produits chimiques puissants pour nettoyer les pièces non métalliques de l'outil. Ces produits chimiques peuvent affaiblir les matériaux de plastique utilisés dans ces pièces. Utiliser un chiffon humecté uniquement d'eau et de savon doux. Ne jamais laisser de liquide pénétrer dans l'outil et n'immerger aucune partie de l'outil dans un liquide.

### INSTRUCTION DE NETTOYAGE DU CHARGEUR

**⚠AVERTISSEMENT** : risque de choc. Débrancher le chargeur de la prise de courant C.A. avant de le nettoyer. La saleté et la graisse peuvent être enlevées de la surface extérieure du chargeur au moyen d'un chiffon ou d'une brosse douce non métallique. Ne pas utiliser d'eau ni d'autres solutions de nettoyage.

## Accessoires

**⚠AVERTISSEMENT** : puisque les accessoires autres que ceux offerts par DEWALT n'ont pas été testés avec ce produit, leur utilisation pourrait s'avérer dangereuse. Pour réduire le risque de blessures, utiliser exclusivement les accessoires DEWALT recommandés avec le présent produit.

Les accessoires recommandés pour cet outil sont vendus séparément au centre de service de votre région. Pour obtenir de l'aide concernant l'achat d'un accessoire, communiquer avec DEWALT Industrial Tool Co., 701 East Joppa Road, Towson, MD 21286 aux États-Unis; composer le 1 800 433-9258 (1 800 4-DEWALT) ou visiter notre site Web : [www.dewalt.com](http://www.dewalt.com).

## Réparations

Le chargeur et le bloc-piles ne sont pas réparables.

**⚠AVERTISSEMENT** : pour assurer votre SÉCURITÉ et la FIABILITÉ du produit, toute réparation, maintenance et tout réglage (y compris l'inspection et le remplacement des balais) doivent être effectués par un centre de réparation en usine DEWALT ou un centre de réparation DEWALT agréé. Toujours utiliser systématiquement des pièces de rechange d'origine.

## Registre en ligne

Merci pour votre achat. Enregistrez dès maintenant votre produit:

- **RÉPARATIONS SOUS GARANTIE:** cette carte remplie vous permettra de vous prévaloir du service de réparations sous garantie de façon plus efficace dans le cas d'un problème avec le produit.
- **CONFIRMATION DE PROPRIÉTÉ:** en cas de perte provoquée par un incendie, une inondation ou un vol, cette preuve de propriété vous servira de preuve auprès de votre compagnie d'assurances.
- **SÉCURITÉ:** l'enregistrement de votre produit nous permettra de communiquer avec vous dans l'éventualité peu probable de l'envoi d'un avis de sécurité régi par la loi fédérale américaine de la protection des consommateurs.

Registre en ligne à [www.dewalt.com/register](http://www.dewalt.com/register).

## Garantie limitée de trois ans

DEWALT réparera, sans frais, tout produit défectueux causé par un défaut de matériel ou de fabrication pour une période de trois ans à compter de la date d'achat. La présente garantie ne couvre pas les pièces dont la défectuosité a été causée par une usure normale ou l'usage abusif de l'outil. Pour obtenir de plus amples renseignements sur les pièces ou les réparations couvertes par la présente garantie, visiter le site [www.dewalt.com](http://www.dewalt.com) ou composer le 1 800 433-9258 (1 800 4-DEWALT). Cette garantie ne s'applique pas aux accessoires et ne vise pas les dommages causés par des réparations effectuées par un tiers. Cette garantie confère des droits légaux particuliers à l'acheteur, mais celui-ci pourrait aussi bénéficier d'autres droits variant d'un état ou d'une province à l'autre.

En plus de la présente garantie, les outils DEWALT sont couverts par notre :

### CONTRAT D'ENTRETIEN GRATUIT D'UN AN

DEWALT entretiendra l'outil et remplacera les pièces usées au cours d'une utilisation normale et ce, gratuitement, pendant une période d'un an à compter de la date d'achat.

### CONTRAT D'ENTRETIEN GRATUIT DE DEUX ANS SUR LES BLOC-PILES DEWALT

DC9071, DC9091, DC9096, DC9280, DC9360, DC9180, DCB120, DCB127, DCB201, DCB203, DCB203BT et DCB207

### CONTRAT D'ENTRETIEN GRATUIT DE TROIS ANS SUR LES BLOC-PILES DEWALT

DCB200, DCB204, DCB204BT, DCB205

### BLOCS-PILES DEWALT

La garantie de ce produit sera annulée si le bloc-piles a été altéré de quelque façon que ce soit. DEWALT ne peut être tenu responsable de tout dommage corporel causé par l'altération du produit et pourra

poursuivre toute fraude en matière de garantie dans toute l'étendue permise par la loi.

### GARANTIE DE REMBOURSEMENT DE 90 JOURS

Si l'acheteur n'est pas entièrement satisfait, pour quelque raison que ce soit, du rendement de l'outil électrique, du laser ou de la cloueuse DEWALT, celui-ci peut le retourner, accompagné d'un reçu, dans les 90 jours à compter de la date d'achat pour obtenir un remboursement intégral, sans aucun problème.

**AMÉRIQUE LATINE :** cette garantie ne s'applique aux produits vendus en Amérique latine. Pour ceux-ci, veuillez consulter les informations relatives à la garantie spécifique présente dans l'emballage, appeler l'entreprise locale ou consulter le site Web pour les informations relatives à cette garantie.

**REMPLACEMENT GRATUIT DES ÉTIQUETTES D'AVERTISSEMENT :** si les étiquettes d'avertissement deviennent illisibles ou sont manquantes, composer le 1 800 433-9258 (1 800 4-DEWALT) pour en obtenir le remplacement gratuit.



### Definiciones: Normas de seguridad

Las siguientes definiciones describen el nivel de gravedad de cada palabra de señal. Lea el manual y preste atención a estos símbolos.

**▲ PELIGRO:** indica una situación de peligro inminente que, si no se evita, provocará **la muerte o lesiones graves**.

**▲ ADVERTENCIA:** indica una situación de peligro potencial que, si no se evita, **podría provocar la muerte o lesiones graves**.

**▲ ATENCIÓN:** indica una situación de peligro potencial que, si no se evita, **posiblemente provocaría lesiones leves o moderadas**.

**AVISO:** se refiere a una práctica **no relacionada a lesiones corporales** que de no evitarse **puede resultar en daños a la propiedad**.

SI TIENE ALGUNA DUDA O ALGÚN COMENTARIO SOBRE ÉSTA U OTRA HERRAMIENTA DEWALT, LLÁMENOS AL NÚMERO GRATUITO: **1-800-4-DEWALT (1-800-433-9258)**.



**ADVERTENCIA:** para reducir el riesgo de lesiones, lea el manual de instrucciones.

### Advertencias generales de seguridad para herramientas eléctricas



**¡ADVERTENCIA!** Lea todas las advertencias de seguridad e instrucciones. El incumplimiento de las advertencias e instrucciones puede provocar descargas eléctricas, incendios o lesiones graves.

### CONSERVE TODAS LAS ADVERTENCIAS E INSTRUCCIONES PARA FUTURAS CONSULTAS

El término “herramienta eléctrica” incluido en las advertencias hace referencia a las herramientas eléctricas operadas con corriente (con cable eléctrico) o a las herramientas eléctricas operadas con baterías (inalámbricas).

#### 1) SEGURIDAD EN EL ÁREA DE TRABAJO

- Mantenga el área de trabajo limpia y bien iluminada.** Las áreas abarrotadas y oscuras propician accidentes.
- No opere las herramientas eléctricas en atmósferas explosivas, como ambientes donde haya polvo, gases o líquidos inflamables.** Las herramientas eléctricas originan chispas que pueden encender el polvo o los vapores.
- Mantenga alejados a los niños y a los espectadores de la herramienta eléctrica en funcionamiento.** Las distracciones pueden provocar la pérdida de control.

#### 2) SEGURIDAD ELÉCTRICA

- Los enchufes de la herramienta eléctrica deben adaptarse al tomacorriente. Nunca modifique el enchufe de ninguna manera. No utilice ningún enchufe adaptador con herramientas eléctricas con conexión a tierra.** Los enchufes no modificados y que se adaptan a los tomacorrientes reducirán el riesgo de descarga eléctrica.
- Evite el contacto corporal con superficies con descargas a tierra como, por ejemplo, tuberías, radiadores, cocinas eléctricas y refrigeradores.** Existe mayor riesgo de descarga eléctrica si su cuerpo está puesto a tierra.
- No exponga las herramientas eléctricas a la lluvia o a condiciones de humedad.** Si entra agua a una herramienta eléctrica, aumentará el riesgo de descarga eléctrica.
- No maltrate el cable. Nunca utilice el cable para transportar, tirar o desenchufar la herramienta eléctrica. Mantenga el cable alejado del calor, el aceite, los bordes**

**filosos y las piezas móviles.** Los cables dañados o enredados aumentan el riesgo de descarga eléctrica.

- e) **Al operar una herramienta eléctrica en el exterior, utilice un cable prolongador adecuado para tal uso.** Utilice un cable adecuado para uso en exteriores a fin de reducir el riesgo de descarga eléctrica.
- f) **Si el uso de una herramienta eléctrica en un lugar húmedo es imposible de evitar, utilice un suministro protegido con un interruptor de circuito por falla a tierra (GFCI).** El uso de un GFCI reduce el riesgo de descargas eléctricas.

### 3) SEGURIDAD PERSONAL

- a) **Permanezca alerta, controle lo que está haciendo y utilice el sentido común cuando emplee una herramienta eléctrica. No utilice una herramienta eléctrica si está cansado o bajo el efecto de drogas, alcohol o medicamentos.** Un momento de descuido mientras se opera una herramienta eléctrica puede provocar lesiones personales graves.
- b) **Utilice equipos de protección personal. Siempre utilice protección para los ojos.** En las condiciones adecuadas, el uso de equipos de protección, como máscaras para polvo, calzado de seguridad antideslizante, cascos o protección auditiva, reducirá las lesiones personales.
- c) **Evite el encendido por accidente. Asegúrese de que el interruptor esté en la posición de apagado antes de conectarlo a la fuente de energía o paquete de baterías, o antes de levantar o transportar la herramienta.** Transportar herramientas eléctricas con el dedo apoyado en el interruptor o enchufar herramientas eléctricas con el interruptor en la posición de encendido puede propiciar accidentes.
- d) **Retire la clavija de ajuste o la llave de tuercas antes de encender la herramienta eléctrica.** Una llave de tuercas o

una clavija de ajuste que quede conectada a una pieza giratoria de la herramienta eléctrica puede provocar lesiones personales.

- e) **No se estire. Conserve el equilibrio y párese adecuadamente en todo momento.** Esto permite un mejor control de la herramienta eléctrica en situaciones inesperadas.
- f) **Use la vestimenta adecuada. No use ropas holgadas ni joyas. Mantenga el cabello, la ropa y los guantes alejados de las piezas en movimiento.** Las ropas holgadas, las joyas o el cabello largo pueden quedar atrapados en las piezas en movimiento.
- g) **Si se suministran dispositivos para la conexión de accesorios con fines de recolección y extracción de polvo, asegúrese de que estén conectados y que se utilicen correctamente.** El uso de dispositivos de recolección de polvo puede reducir los peligros relacionados con el polvo.

### 4) USO Y MANTENIMIENTO DE LA HERRAMIENTA ELÉCTRICA

- a) **No fuerce la herramienta eléctrica. Utilice la herramienta eléctrica correcta para el trabajo que realizará.** Si se la utiliza a la velocidad para la que fue diseñada, la herramienta eléctrica correcta permite trabajar mejor y de manera más segura.
- b) **No utilice la herramienta eléctrica si no puede encenderla o apagarla con el interruptor.** Toda herramienta eléctrica que no pueda ser controlada mediante el interruptor es peligrosa y debe repararse.
- c) **Desconecte el enchufe de la fuente de energía o el paquete de baterías de la herramienta eléctrica antes de realizar ajustes, cambiar accesorios o almacenar la herramienta eléctrica.** Estas medidas de seguridad preventivas reducen el riesgo de encender la herramienta eléctrica en forma accidental.



- d) **Guarde la herramienta eléctrica que no esté en uso fuera del alcance de los niños y no permita que otras personas no familiarizadas con ella o con estas instrucciones operen la herramienta.** Las herramientas eléctricas son peligrosas si son operadas por usuarios no capacitados.
- e) **Realice el mantenimiento de las herramientas eléctricas. Revise que no haya piezas en movimiento mal alineadas o trabadas, piezas rotas o cualquier otra situación que pueda afectar el funcionamiento de la herramienta eléctrica. Si encuentra daños, haga reparar la herramienta eléctrica antes de utilizarla.** Se producen muchos accidentes a causa de las herramientas eléctricas que carecen de un mantenimiento adecuado.
- f) **Mantenga las herramientas de corte afiladas y limpias.** Las herramientas de corte con mantenimiento adecuado y con los bordes de corte afilados son menos propensas a trabarse y son más fáciles de controlar.
- g) **Utilice la herramienta eléctrica, los accesorios y las brocas de la herramienta, etc. de acuerdo con estas instrucciones y teniendo en cuenta las condiciones de trabajo y el trabajo que debe realizarse.** El uso de la herramienta eléctrica para operaciones diferentes de aquéllas para las que fue diseñada podría originar una situación peligrosa.

## 5) USO Y MANTENIMIENTO DE LA HERRAMIENTA CON BATERÍAS

- a) **Recargue solamente con el cargador especificado por el fabricante.** Un cargador adecuado para un tipo de paquete de baterías puede originar riesgo de incendio si se utiliza con otro paquete de baterías.
- b) **Utilice herramientas eléctricas sólo con paquetes de baterías específicamente diseñados.** El uso de cualquier

otro paquete de baterías puede producir riesgo de incendio y lesiones.

- c) **Cuando no utilice el paquete de baterías, manténgalo lejos de otros objetos metálicos como sujetapapeles, monedas, llaves, clavos, tornillos u otros objetos metálicos pequeños que puedan realizar una conexión desde un terminal al otro.** Los cortocircuitos en los terminales de la batería pueden provocar quemaduras o incendio.
- d) **En condiciones abusivas, el líquido puede ser expulsado de la batería. Evite su contacto. Si entra en contacto accidentalmente, enjuague con agua. Si el líquido entra en contacto con los ojos, busque atención médica.** El líquido expulsado de la batería puede provocar irritación o quemaduras.

## 6) MANTENIMIENTO

- a) **Solicite a una persona calificada en reparaciones que realice el mantenimiento de su herramienta eléctrica y que sólo utilice piezas de repuesto idénticas.** Esto garantizará la seguridad de la herramienta eléctrica.

## Reglas de Seguridad Adicionales – Sierras de Banda Portátiles

- **Sujete la herramienta eléctrica por las superficies aislantes si lleva a cabo una operación en que el accesorio de la herramienta puede tocar un contacto oculto.** El contacto entre el accesorio de corte de la herramienta y un cable con corriente puede provocar que las piezas metálicas de la herramienta eléctrica conduzcan electricidad y puede causar que el operador reciba una descarga eléctrica.
- **Mantenga las manos alejadas del área y de la hoja de corte.**
- **Asegúrese siempre de que la sierra de banda portátil esté limpia antes de utilizarla.**

- **Detenga siempre la operación de inmediato si nota cualquier anomalía.**
- **Asegúrese siempre que todas las piezas estén debida y firmemente montadas antes de utilizar la herramienta.**
- **Maneje siempre la hoja de la sierra de banda con cuidado cuando la monte o retire de la sierra.**
- **Mantenga siempre las manos alejadas de la trayectoria de la hoja de la sierra de banda.**
- **Espere siempre a que el motor haya alcanzado su velocidad completa antes de iniciar el corte.**
- **Mantenga las empuñaduras secas, limpias, libres de aceite y grasa.** Sostenga la herramienta con firmeza cuando la use.
- **Esté alerta en todo momento, especialmente durante operaciones repetitivas y monótonas.** Esté siempre seguro de la posición de sus manos en relación a la hoja.
- **Jamás retire el tope.**
- **Manténgase alejado de los extremos que pudieran caerse una vez que sean cortados.** Pueden estar calientes o ser afilados y/o pesados. Puede resultar en lesiones corporales serias.
- **Los orificios de ventilación suelen cubrir piezas en movimiento, por lo que también se deben evitar.** Las piezas en movimiento pueden atrapar prendas de vestir sueltas, joyas o el cabello largo.

**⚠ADVERTENCIA:** Use **SIEMPRE** lentes de seguridad. Los anteojos de diario **NO SON** lentes de seguridad. Utilice además una cubrebocas o mascarilla antipolvo si la operación de corte genera demasiado polvo. **SIEMPRE LLEVE EQUIPO DE SEGURIDAD CERTIFICADO:**

- protección ocular ANSI Z87.1 (CAN/CSA Z94.3),
- protección auditiva ANSI S12.6 (S3.19),
- protección respiratoria NIOSH/OSHA/MSHA.

**⚠ADVERTENCIA:** Algunas partículas de polvo generadas al lijar, serrar, esmerilar y taladrar con herramientas eléctricas, así como al realizar otras actividades de construcción, contienen químicos que el Estado de California sabe que pueden producir cáncer, defectos congénitos u otras afecciones reproductivas. Ejemplos de estos químicos son:

- plomo de algunas pinturas en base a plomo,
- polvo de sílice proveniente de ladrillos y cemento y otros productos de albañilería, y
- arsénico y cromo provenientes de madera tratada químicamente.

Su riesgo de exposición a estos químicos varía, dependiendo de la frecuencia con la cual realiza usted este tipo de trabajo. Para reducir su exposición a estas sustancias químicas: trabaje en una zona bien ventilada y llevando equipos de seguridad aprobados, como mascarillas antipolvo especialmente diseñadas para filtrar partículas microscópicas.

- **Evite el contacto prolongado con polvo generado por el lijado, aserrado, pulido, taladrado y otras actividades de construcción. Vista ropas protectoras y lave las áreas de la piel expuestas con agua y jabón.** Si permite que el polvo se introduzca en la boca u ojos o quede sobre la piel, puede favorecer la absorción de productos químicos peligrosos.

**⚠ADVERTENCIA:** La utilización de esta herramienta puede generar polvo o dispersarlo, lo que podría causar daños graves y permanentes al sistema respiratorio, así como otras lesiones. Siempre use protección respiratoria aprobada por NIOSH (Instituto Nacional de Seguridad y Salud en el Trabajo) u OSHA (Administración de Seguridad y Salud en el Trabajo) apropiada para la exposición al polvo. Dirija las partículas en dirección contraria a la cara y el cuerpo.

**⚠ADVERTENCIA:** Siempre lleve la debida protección auditiva personal en conformidad con ANSI S12.6 (S3.19) durante el

**uso de esta herramienta.** Bajo algunas condiciones y duraciones de uso, el ruido producido por este producto puede contribuir a la pérdida auditiva.

**⚠ATENCIÓN:** Cuando no esté en uso, guarde la herramienta apoyada en un costado sobre una superficie estable, donde no interrumpa el paso o provoque una caída. Algunas herramientas con paquetes de baterías de gran tamaño pueden colocarse paradas sobre el paquete de baterías, pero pueden caerse fácilmente.

- La etiqueta de su herramienta puede incluir los siguientes símbolos.

A continuación se indican los símbolos y sus definiciones:

V.....voltios

A.....amperios

Hz.....hertz

W.....vatios

min .....minutos

~ o AC...corriente alterna

— o DC....corriente directa

⚡ o AC/DC....corriente

Ⓛ.....Construcción de Clase I (tierra)

alterna o directa

Ⓜ.....Construcción de Clase II (doble aislamiento)

n.....velocidad nominal

n<sub>0</sub> .....velocidad sin carga

⊕.....terminal de conexión a tierra

.../min .....por minuto

⚠.....símbolo de advertencia de seguridad

IPM.....impactos por minuto

☠.....radiación visible

sfpm .....pies de superficie por minuto

BPM.....golpes por minuto

RPM .....revoluciones por minuto

SPM.....pasadas por minuto

## Instrucciones de seguridad importantes para todas las unidades de batería

Cuando solicite unidades de batería de repuesto, no olvide indicar el número de catálogo y el voltaje. Consulte la tabla al final de este manual para ver la compatibilidad entre cargadores y unidades de batería.

La unidad de batería no viene completamente cargada de fábrica. Antes de usar la unidad de batería y el cargador, lea las siguientes instrucciones de seguridad. Luego, siga los procedimientos de carga indicados.

### LEA TODAS LAS INSTRUCCIONES

- **No cargue o use la unidad de batería en atmósferas explosivas, como en presencia de líquidos, gases o polvos inflamables.** Puede que al insertar o sacar la unidad de batería del cargador se inflamen el polvo o los gases.
  - **NUNCA fuerce la unidad de batería para que entre en el cargador. NO modifique la unidad de batería en ninguna forma para que entre en un cargador no compatible, pues puede producir una ruptura en la unidad de batería y causar lesiones corporales graves.** Consulte la tabla al final de este manual para ver la compatibilidad entre baterías y cargadores.
  - Cargue las unidades de batería sólo en los cargadores designados por DEWALT.
  - **NO salpique con ni sumerja en agua u otros líquidos.**
  - **No guarde ni use la herramienta y unidad de batería en lugares donde la temperatura pueda alcanzar o superar los 40 °C (104 °F), tales como cobertizos o construcciones de metal durante el verano.** Almacene las unidades de batería en lugares frescos y secos para maximizar su vida útil.
- NOTA:** No almacene las unidades de batería en la herramienta con el interruptor de gatillo en posición encendida fija.

**Nunca use cinta adhesiva para mantener el interruptor de gatillo en posición ENCENDIDA.**

**⚠ADVERTENCIA:** Peligro de incendio. Nunca intente abrir la unidad de batería por ningún motivo. Si la caja exterior de la unidad de batería se triza o daña, no la introduzca en el cargador. No triture, deje caer o dañe la unidad de batería. No use una unidad de batería o un cargador que haya sido golpeado, dejado caer, atropellado o dañado en cualquier forma (por ejemplo, perforado por un clavo, golpeado con un martillo, pisado). Lleve sus unidades de batería dañadas al centro de servicio para que sean recicladas.

**⚠ADVERTENCIA:** Peligro de incendio. No guarde ni transporte la unidad de batería de manera que objetos metálicos puedan hacer contacto con los terminales expuestos de la batería. Por ejemplo, no ponga la unidad de batería en delanteles, bolsillos, cajas de herramientas, estuches de productos, cajones, etc., junto con clavos, tornillos, llaves, etc., sueltos. **El transporte de baterías puede causar incendios si sus terminales inadvertidamente entran en contacto con materiales conductores como llaves, monedas, herramientas de mano y otros por el estilo.** El Reglamento sobre Materiales Peligrosos (HMR) del Ministerio de Transporte de los Estados Unidos actualmente prohíbe el transporte de baterías en el comercio o en aviones (por ejemplo, embaladas en maletas y maletines de mano) A NO SER que estén debidamente protegidas para prevenir cortocircuitos. Por lo tanto, cuando transporte unidades de batería individuales, asegúrese de que sus terminales estén protegidos y debidamente aislados de materiales que pudieran entrar en contacto con ellos y causar un cortocircuito.

#### **INSTRUCCIONES DE SEGURIDAD ESPECÍFICAS PARA BATERÍAS DE IONES DE LITIO (Li-Ion)**

- **No incinere la unidad de batería, aunque esté completamente dañada o descargada. La unidad de batería puede explotar si se quema.** Cuando se queman unidades de batería de iones de litio, se producen gases y materiales tóxicos.

- **Si el contenido de la batería entra en contacto con la piel, lave el área de inmediato con agua y un jabón suave.** Si el líquido de la batería entra en contacto con sus ojos, enjuáguelos con agua y los ojos abiertos por 15 minutos o hasta que cese la irritación. Si se requiere de asistencia médica, el electrolito de la batería está compuesto por una mezcla de carbonatos orgánicos líquidos y sales de litio.
- **El contenido de los elementos abiertos de la batería puede causar irritación en el tracto respiratorio.** Salga al aire fresco. Si los síntomas persisten, busque asistencia médica.

**⚠ADVERTENCIA:** Peligro de quemaduras. El líquido de la batería puede ser inflamable si se expone a chispas o llamas.

#### **El sello RBRC®**

El sello RBRC® (Rechargeable Battery Recycling Corporation) en las baterías (unidades de batería) de níquel cadmio, níquel e hidruro metálico o de iones de litio indica que el costo de reciclaje de estas baterías (o unidades de batería) al llegar al final de su vida de servicio ya ha sido pagado por DEWALT. En algunas áreas, es ilegal depositar baterías de níquel cadmio, níquel e hidruro metálico o de iones de litio gastadas en la basura o la corriente de residuos sólidos urbanos; el programa Call 2 Recycle® proporciona una alternativa ecológica.

Call 2 Recycle, Inc., en cooperación con DEWALT y otros usuarios de baterías, han establecido programas en los Estados Unidos y Canadá para facilitar la recolección de baterías de níquel cadmio, níquel e hidruro metálico o de iones de litio gastadas. Al llevar sus baterías de níquel cadmio, níquel e hidruro metálico y de iones de litio gastadas a un centro de servicio autorizado por DEWALT o al minorista local para que sean recicladas, ayuda a proteger el medio ambiente y a conservar recursos naturales. También puede comunicarse con el centro de reciclaje de su localidad para mayor



información sobre dónde llevar sus baterías gastadas. RBRC® es una marca comercial registrada de Call 2 Recycle, Inc.

## **Instrucciones importantes de seguridad para todos los cargadores de baterías**

**GUARDE ESTAS INSTRUCCIONES:** Este manual contiene instrucciones de seguridad y operación importantes para los cargadores de baterías.

- Antes de usar el cargador, lea todas las instrucciones y advertencias que se encuentren en el cargador, la unidad de batería y el producto que usa la unidad de batería.

**⚠ADVERTENCIA:** Peligro de descarga eléctrica. No permita que ningún líquido se introduzca en el cargador. Puede producir descargas eléctricas.

**⚠ATENCIÓN:** Peligro de quemaduras. Para reducir el riesgo de lesiones, sólo cargue unidades de batería recargables marca DEWALT. Otros tipos de batería podrían sobrecalentarse y reventar lo que podría resultar en lesiones corporales y daños a su propiedad.

**AVISO:** Bajo ciertas condiciones, cuando el cargador está enchufado a una toma de corriente, el cargador puede hacer cortocircuito si entra en contacto con algún material ajeno. Los materiales ajenos de naturaleza conductora, como el polvo de esmerilado, las placas de metal, la lana de acero, el papel de aluminio y otros, o cualquier acumulación de partículas metálicas deberían mantenerse alejados de las cavidades del cargador. Desenchufe siempre el cargador cuando no haya una unidad de batería en su cavidad. Desenchufe el cargador antes de intentar limpiarlo.

- **NO intente cargar la unidad de batería con otros cargadores que no sean los descritos en este manual.** El cargador y la unidad de batería fueron específicamente diseñados para trabajar en conjunto.

- **Estos cargadores no fueron diseñados para ser utilizados para más que cargar las baterías recargables DEWALT.** Cualquier otro uso puede producir riesgo de incendios, descargas eléctricas o electrocución.
- **No exponga el cargador a la lluvia o a la nieve.**
- **Tire del enchufe y no del cable cuando desconecte el cargador.** De esta forma se reduce el riesgo de daño al enchufe y cable.
- **Asegúrese de que el cable no sea ubicado de manera que podría ser pisado, causar que alguien tropiece con él o ser expuesto a otro tipo de daños y desgastes.**
- **No use un alargador a menos que sea absolutamente necesario.** El uso de un alargador incorrecto podría producir riesgo de incendios, descargas eléctricas o electrocución.
- **Cuando opere un cargador al exterior, hágalo siempre en un lugar seco y use un alargador apropiado para uso al exterior.** El uso de un alargador apropiado para uso al exterior reduce el riesgo de descarga eléctrica.
- **Los hilos del alargador deben ser de un calibre apropiado (AWG o American Wire Gauge) para su seguridad.** Mientras menor sea el calibre del hilo, mayor la capacidad del cable. Es decir, un hilo calibre 16 tiene mayor capacidad que uno de 18. Un cable de un calibre insuficiente causará una caída en la tensión de la línea dando por resultado una pérdida de energía y sobrecalentamiento. Cuando se utilice más de un alargador para completar el largo total, asegúrese que los hilos de cada alargador tengan el calibre mínimo. La tabla siguiente muestra el tamaño correcto a utilizar, dependiendo de la longitud del cable y del amperaje nominal de la placa de identificación. Si tiene dudas sobre cuál calibre usar, use un calibre mayor. Cuanto menor sea el número del calibre, más resistente será el cable.

Calibre mínimo para cables de alimentación						
Amperaje		Voltios	Largo total del cordón en metros (pies)			
		120 V	7,6 (25)	15,2 (50)	30,5 (100)	45,7 (150)
		240 V	15,2 (50)	30,5 (100)	61,0 (200)	91,4 (300)
Más de	No más de	AWG				
0	6		18	16	16	14
6	10		18	16	14	12
10	12		16	16	14	12
12	16		14	12	No recomendado	

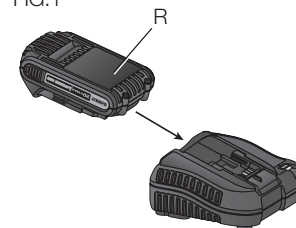
- **No coloque ningún objeto encima del cargador ni coloque a este sobre una superficie blanda que pudiera bloquear las ranuras de ventilación y resultar en un calor interno excesivo.** Coloque el cargador en un lugar alejado de cualquier fuente de calor. El cargador se ventila a través de las ranuras que se encuentran en la parte superior e inferior de la caja protectora.
- **No opere el cargador si su cable o enchufe están dañados.**
- **No opere el cargador si ha recibido un golpe agudo, si se ha caído o si ha sido dañado de alguna otra forma.** Llévelo a un centro de servicio autorizado.
- **No desarme el cargador; llévelo a un centro de servicio autorizado cuando deba ser reparado.** Si es reensamblado incorrectamente, puede causar descargas eléctricas, electrocución o incendios.

- **Desenchufe el cargador antes de intentar limpiarlo. Esto reducirá el riesgo de descargas eléctricas.** El retirar el paquete de baterías no reducirá este riesgo.
- **NUNCA** intente conectar 2 cargadores entre sí.
- **El cargador está diseñado para operar con una corriente eléctrica estándar residencial de 120 V. No intente usarlo con ningún otro voltaje.** Esto no aplica al cargador vehicular.

## Cargadores

Su herramienta utiliza un cargador DEWALT. Asegúrese de leer todas las instrucciones de seguridad antes de utilizar su cargador. Consulte el gráfico al final del manual para conocer la compatibilidad entre los cargadores y los paquetes de baterías.

FIG.1



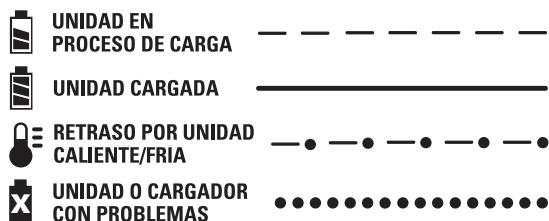
## Procedimiento de carga (Fig. 1)

1. Enchufe el cargador en una toma de corriente apropiada antes de insertar la unidad de batería.
2. Inserte la unidad de batería (R) en el cargador, como se muestra en la Figura 1, comprobando que quede bien colocado dentro del mismo. La luz roja (de carga) parpadeará continuamente para indicar que se ha iniciado el proceso de carga.
3. La luz roja se quedará ENCENDIDA continuamente cuando se haya completado el proceso de carga. La unidad estará entonces completamente cargada y podrá ser utilizada de inmediato o dejarse en el cargador.



## Operación de la luz indicadora

**DCB101, DCB102, DCB103**



**DCB107, DCB112, DCB113, DCB115**



## Indicadores de carga

Este cargador ha sido diseñado para detectar ciertos problemas que pudieran surgir. Estos problemas se indican mediante una luz roja intermitente rápida. Si esto ocurre, vuelva a colocar la unidad de batería en el cargador. Si el problema persiste, pruebe con otra unidad de batería para determinar si el cargador está funcionando debidamente. Si la segunda unidad de batería carga correctamente, significa que la primera está fallada y debería ser llevada a un centro de servicio u otro lugar de colección para su reciclaje. Si la segunda unidad de batería hace que el cargador indique el mismo problema

que la primera, lleve el cargador y la unidad de batería a un centro de servicio autorizado para su examinación.

## RETARDO POR UNIDAD CALIENTE/FRÍA

**DCB101, DCB102, DCB103**

Estos cargadores tienen una función de retardo por batería caliente/fría. Cuando el cargador detecta una batería que está demasiado caliente o demasiado fría, automáticamente comienza un retardo y suspende la carga. La luz roja parpadeará a intervalos largos, luego cortos cuando esté en modo de retardo por batería caliente/fría.

Una vez que la batería ha alcanzado una temperatura óptima, el cargador automáticamente reanuda el procedimiento de carga. Esta función garantiza la máxima duración de la batería.

**DCB107, DCB112, DCB113, DCB115**

Estos cargadores tienen una función de retardo por batería caliente/fría. Cuando el cargador detecta una batería que está demasiado caliente o demasiado fría, automáticamente comienza un retardo y suspende la carga. La luz roja continuará parpadearando, pero la luz indicadora amarilla estará iluminada durante esta suspensión.

Una vez que la batería ha alcanzado una temperatura óptima, la luz amarilla se apagará y el cargador automáticamente reanudará el procedimiento de carga. Esta función garantiza la máxima duración de la batería.

## PERMANENCIA DE LA UNIDAD DE BATERÍA EN EL CARGADOR

El cargador y la unidad de batería pueden dejarse conectados con la luz del cargador indicando que la unidad está cargada.

**UNIDADES DE BATERÍA DESGASTADAS:** Las baterías desgastadas seguirán funcionando pero no debe esperarse que tengan capacidad para la misma cantidad de trabajo.



## **UNIDADES DE BATERÍA DEFECTUOSAS:**

### ***DCB101, DCB102, DCB103***

Estos cargadores no cargarán un paquete de baterías defectuoso. El cargador indicará que la unidad de batería es defectuosa al no iluminarse o al indicar que existe un problema con la unidad o el cargador.

**NOTA:** Esto también puede significar que hay un problema con el cargador.

### ***DCB107, DCB112, DCB113, DCB115***

Estos cargadores no cargarán un paquete de baterías defectuoso. El cargador indicará que la unidad de batería es defectuosa al no iluminarse.

**NOTA:** Esto también puede significar que hay un problema con el cargador.

## ***Montaje en la pared***

### ***DCB107, DCB112, DCB113, DCB115***

Estos cargadores están diseñados para montarse en la pared o colocarse en posición vertical sobre una mesa o superficie de trabajo. Si se monta en la pared, ubicar el cargador al alcance de una toma de corriente. Montar el cargador firmemente utilizando tornillos para muro seco de un mínimo de 25,4 mm (1") de largo, atornillados en madera hasta una profundidad óptima dejando el tornillo expuesto aproximadamente 5,5 mm (7/32").

## ***Notas importantes sobre la carga***

1. Se puede obtener una mayor duración y un mejor rendimiento si la unidad de batería se carga a una temperatura ambiente de 18–24 °C (65–75 °F). NO cargue la unidad de batería a una temperatura ambiental inferior a +4,5 °C (+40 °F) o superior a +40 °C (+104 °F). Esto es importante y evitará causar daños graves a la batería.

2. Puede que el cargador y la unidad de batería se calienten ligeramente durante el proceso de carga. Esto es normal y no representa ningún problema. Para facilitar el enfriamiento de la unidad de batería después del uso, evite colocar el cargador o la unidad de batería en un lugar cálido, como un cobertizo metálico o un remolque sin aislamiento térmico.
3. Una unidad de batería fría se demora el doble del tiempo en cargarse que una unidad de batería caliente. La unidad de batería se cargará a ese ritmo más lento durante todo el ciclo de carga y no volverá a cargarse a la velocidad de carga máxima aún cuando la unidad de batería se caliente.
4. Si la unidad de batería no se carga correctamente:
  - a. Verifique el funcionamiento de la toma enchufando una lámpara u otro aparato;
  - b. Revise que la toma de corriente no esté conectada a un interruptor de luz que corte la corriente cuando se corte la luz;
  - c. Mueva el cargador y la unidad de batería a un lugar donde la temperatura ambiental sea aproximadamente 18–24 °C (65–75 °F);
  - d. Si el problema de carga continúa, lleve la herramienta, unidad de batería y el cargador a su centro de servicio local.
5. La unidad de batería debería ser recargada cuando no sea capaz de producir suficiente potencia para trabajos que eran fácilmente realizados antes. NO CONTINÚE usándola bajo estas circunstancias. Siga el procedimiento de carga. También puede cargar una unidad de batería que haya sido usada parcialmente cuando lo desee, sin dañarla.
6. Los materiales ajenos conductores por naturaleza, tales como, pero sin limitarse a, el polvo del esmerilado, las virutas metálicas, la lana de acero, el papel de aluminio o cualquier acumulación de partículas metálicas deberían mantenerse alejados de las cavidades del cargador. Desenchufe siempre el cargador de la

toma de corriente cuando no haya una unidad de batería en su cavidad. Desenchufe el cargador antes de intentar limpiarlo.

7. No congele ni sumerja el cargador en agua o cualquier otro líquido.

**⚠ADVERTENCIA:** Peligro de descarga eléctrica. No permita que ningún líquido se introduzca en el cargador. Puede producir descargas eléctricas.

**⚠ADVERTENCIA:** Peligro de quemaduras. No sumerja la unidad de batería en líquido de ningún tipo ni permita que se introduzca ningún tipo de líquido a la unidad de batería. Nunca intente abrir la unidad de batería por ningún motivo. Si la caja plástica de la unidad de batería se triza o rompe, llévela a un centro de servicio para su reciclaje

### Recomendaciones de almacenamiento

1. El mejor lugar de almacenamiento es uno que sea fresco y seco, lejos de la luz solar directa y del exceso de calor o frío.
2. Para resultados óptimos durante tiempos prolongados de almacenamiento, se recomienda almacenar la unidad de batería completamente cargada en un lugar fresco y seco fuera del cargador.

**NOTA:** Las unidades de batería no deberían almacenarse completamente descargadas. La unidad de batería deberá recargarse antes de ser usada.

## GUARDE ESTAS INSTRUCCIONES PARA VOLVER A CONSULTAR EN EL FUTURO COMPONENTES (Fig. 2, 4)

**⚠ADVERTENCIA:** nunca modifique la herramienta eléctrica, ni tampoco ninguna de sus piezas. Podría producir lesiones corporales o daños.

- |   |                                  |
|---|----------------------------------|
| A. Mango de posición múltiple             | J. Llave hexagonal               |
| B. Botón de bloqueo                       | K. Rueda de velocidad            |
| C. Interruptor de gatillo                 | L. Luz de trabajo                |
| D. Mango principal                        | M. Gancho para colgar (Fig. 4)   |
| E. Tope para pieza de trabajo (Fig. 2, 4) | N. Polea (Fig. 4)                |
| F. Rodillos de guía (Fig. 4)              | O. Protector de la hoja (Fig. 4) |
| G. Tuerca de fijación de ajuste           | P. Llantas de goma (Fig. 4)      |
| H. Tornillo de ajuste                     | Q. Hoja (Fig. 2, 4)              |
| I. Palanca de tensión de la hoja          |                                  |

### USO DEBIDO

Esta sierra de banda para trabajo pesado ha sido diseñada para aplicaciones profesionales de corte de metales.

**NO** debe usarse en condiciones húmedas ni en presencia de líquidos o gases inflamables.

Esta sierra de banda es una herramienta eléctrica profesional. **NO** permita que los niños toquen la herramienta. El uso de esta herramienta por parte de operadores inexpertos requiere supervisión.

### Interruptor tipo gatillo de velocidad variable (Fig. 2)

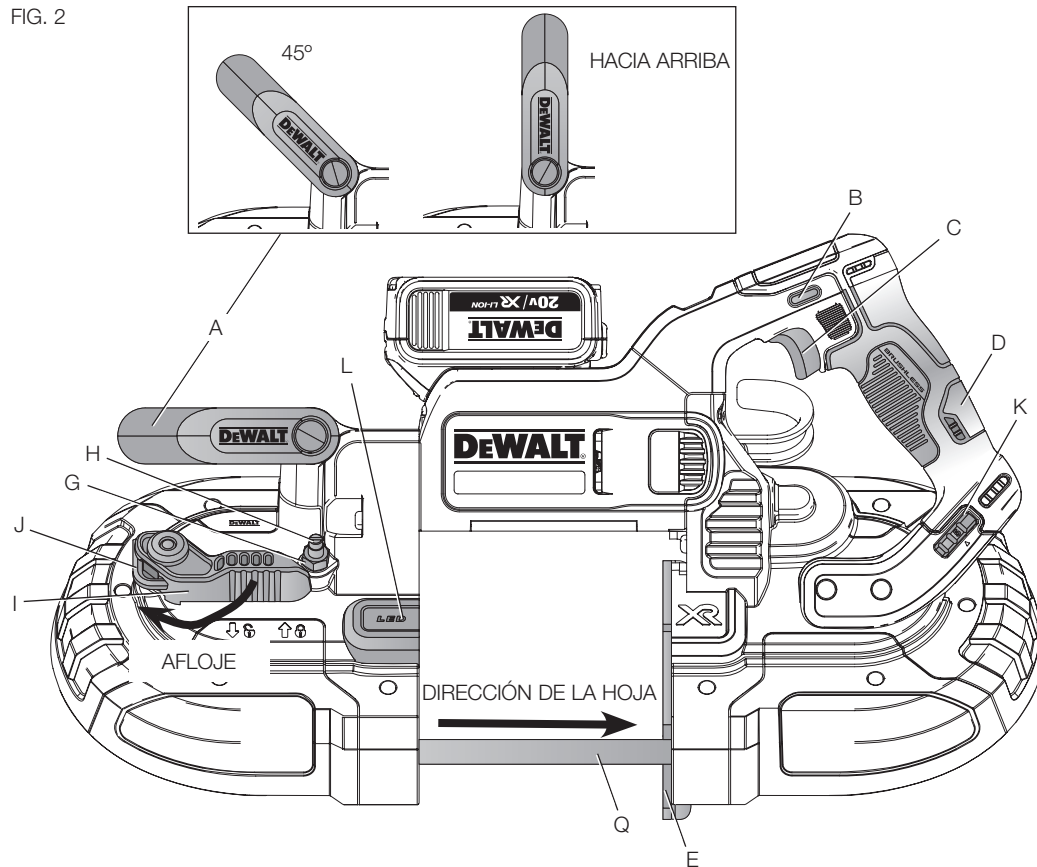
#### BOTÓN DE BLOQUEO EN OFF Y INTERRUPTOR TIPO GATILLO

Su sierra viene equipada con un botón de bloqueo en off (B).

Para bloquear el interruptor tipo gatillo (C), presione el botón de bloqueo en off como lo muestra la Figura 3. Siempre bloquee el interruptor tipo gatillo (C) cuando transporte o guarde la herramienta para eliminar el riesgo de que esta se encienda accidentalmente.

Para desbloquear el interruptor tipo gatillo, presione el botón de bloqueo en off como lo muestra la Figura 3. Apriete el interruptor tipo gatillo para ENCENDER el motor. Para APAGAR el motor, suelte el interruptor tipo gatillo.

FIG. 2

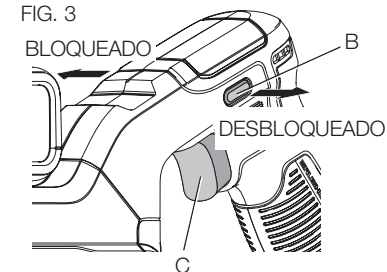


**⚠ADVERTENCIA:** Esta herramienta no tiene ningún dispositivo que bloquee la herramienta en ON (encendida) y no debería ser bloqueada en ON de ninguna manera.

El interruptor tipo gatillo de velocidad variable le dará mayor versatilidad. Mientras más se presione el gatillo, mayor será la velocidad de la sierra.

**⚠ATENCIÓN:** Sólo se recomienda el uso de la velocidad mínima para iniciar el corte. El uso prolongado de esta velocidad puede dañar la sierra.

FIG. 3



### Luz de trabajo (Fig. 2)

**⚠ATENCIÓN:** No mire fijamente hacia la luz de trabajo. Podrían producirse lesiones oculares graves. Hay una luz de trabajo (L) ubicada encima de la hoja. La luz de trabajo

se activa cuando se presiona el interruptor tipo gatillo, y se apagará automáticamente 20 segundos después de soltarse el interruptor. Si el interruptor de gatillo se mantiene presionado, la luz de trabajo se mantiene encendida.

**NOTA:** La luz de trabajo sirve para iluminar la superficie de trabajo cercana y no fue diseñada para utilizarse como linterna.

### Hojas

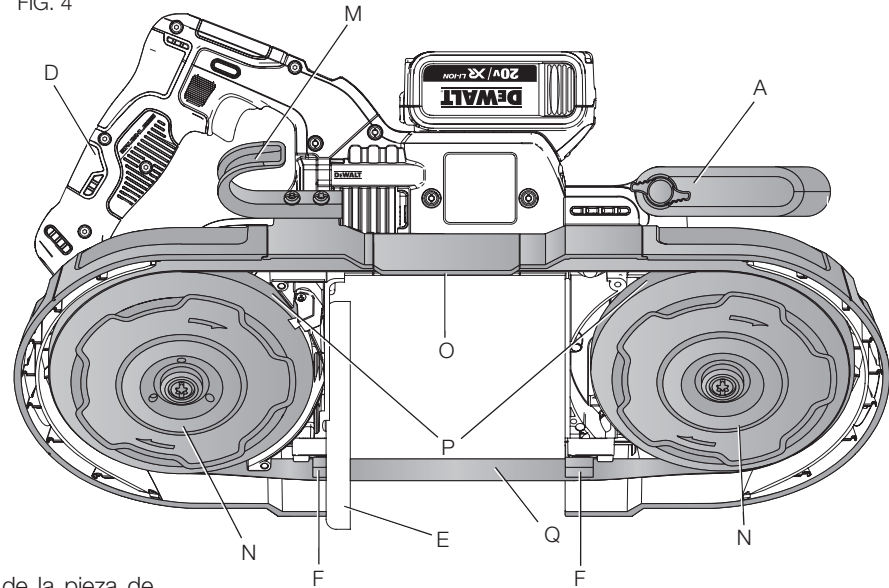
Esta sierra de banda portátil está diseñada para usar hojas de 0,020" (0,5 mm) de grosor, 1/2" (12,5 mm) de ancho y 44-7/8" (1140 mm) de largo. **NO USE** hojas con grosores de 0,64 mm (0,25).

**¡ADVERTENCIA:** El uso de cualquier otro tipo de hoja o accesorio podría ser peligroso. **NO UTILICE** ningún otro tipo de accesorio con su sierra de banda. Las hojas utilizadas en sierras de banda estacionarias son de diferentes espesores. No intente utilizarlas con su unidad portátil.

### Selección de la hoja

En general, considere primero el tamaño y la forma de la pieza de trabajo y el tipo de material a ser cortado. Recuerde que para realizar cortes más eficientes, se debería utilizar la hoja con los dientes más gruesos posibles en una aplicación dada pues mientras más grueso el diente, más rápido el corte. En la selección del número apropiado de dientes por milímetro para las hojas de sierras de banda, fíjese que al menos dos dientes deben entrar en contacto con la superficie de la pieza de trabajo cuando se descansa la hoja contra la pieza de trabajo. Como regla general, los materiales blandos generalmente requieren hojas con dientes gruesos mientras que los materiales duros

FIG. 4



requieren hojas de dientes más finos. Cuando requiera un acabado más suave, seleccione una de las hojas de dientes más finos.

Seleccione la hoja para su sierra de banda de acuerdo al tipo de material, las dimensiones y el número de dientes. Vea el cuadro **Descripción de la hoja**.

La siguiente tabla es para ser utilizada sólo como una guía general. Determine el tipo de material y la dimensión de la pieza de trabajo y seleccione la hoja para sierras de banda más apropiada.

**AVISO:** Jamás utilice la sierra de banda para cortar materiales de resina que pudieran derretirse. El material de resina derretido por el calor generado durante el corte podría hacer que la hoja de la sierra de banda se adhiriera al material, posiblemente sobrecargándola y quemando su motor.

DESCRIPCIÓN DE LA HOJA				
Tipo de hoja de la sierra de banda	Bi-Metal			
Número de dientes	24	18	14	14/18
Espesor de la pieza de trabajo				
3,2 mm (1/8") y menor	•	•		
3,2–6,4 mm (1/8"–1/4")			•	•

## Velocidad de la Hoja

Su sierra de banda portátil DCS374 viene con velocidad variable para una mayor versatilidad. Gire la rueda de velocidad (K) para seleccionar la velocidad deseada (Fig. 2). La velocidad 1 es la más lenta; la velocidad 5 es la más rápida. Use las velocidades desde la 1 a la 5. Cuando corte cobre, latón, bronce, aluminio, fierro fundido, fierro angular o acero dulce, use una velocidad mayor.

Cuando corte tubería de plástico, aceros más duros, acero al cromo, acero al tungsteno, acero inoxidable y otros materiales complicados, use una velocidad baja.

**NOTA:** Cuando corte tubería de plástico, las velocidades mayores pueden derretirlo.

## Ajuste de la Hoja

**⚠ADVERTENCIA:** Para reducir el riesgo de lesiones personales graves, apague la herramienta y retire el paquete de baterías

**antes de realizar ajustes o de retirar/instalar dispositivos o accesorios.** Un arranque accidental podría causar lesiones.

Su sierra de banda viene con un mecanismo de ajuste de la hoja, el cual garantiza un ajuste apropiado de la hoja en todo momento. El borde posterior de una hoja alineada apropiadamente, operará ligeramente rozando contra uno o ambos rodillos de respaldo en las guías de la hoja. (La presión entre el borde de la hoja y el rodillo será muy ligera y no dañará ni la hoja ni el rodillo.)

## PARA AJUSTAR LA HOJA

1. Use una llave de 1/2" (13 mm) para aflojar la tuerca de fijación de ajuste (G), que se muestra en la Figura 2, girándola una o dos vueltas en sentido antihorario.
2. Use un atornillador para girar el tornillo de ajuste (H) 1/4 de vuelta. Al girar el tornillo en el mismo sentido de las manillas del reloj, la hoja se moverá hacia arriba hasta los rodillos guía de la hoja. Al girar el tornillo en el sentido contrario a las manillas del reloj, la hoja se moverá hacia abajo alejándose de los rodillos.
3. Ajuste de manera que el borde trasero de la hoja toque ligeramente los rodillos y luego apriete bien la tuerca de fijación de ajuste. (Será necesario conectar la sierra y operarla para observar el ajuste.)
4. Observe el ajuste de la hoja en cada operación y repita los Pasos 1 a 4 como sea requerido para lograr un ajuste apropiado de la hoja.

**⚠ADVERTENCIA:** Asegúrese de que se saque la batería si es necesario realizar más ajustes de posición.

## MONTAJE Y AJUSTES

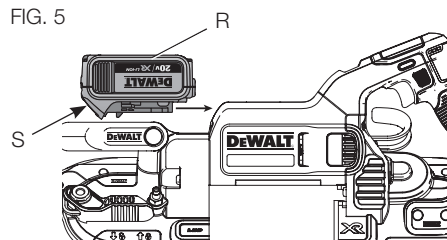
**⚠ADVERTENCIA:** Para reducir el riesgo de lesiones personales graves, apague la herramienta y retire el paquete de baterías antes de realizar ajustes o de retirar/instalar dispositivos o accesorios. Un arranque accidental podría causar lesiones.

## Cómo instalar y retirar la unidad de batería (Fig. 1, 2, 5)

**NOTA:** Para mejores resultados, verifique que su unidad de batería esté completamente cargada.

Para instalar la unidad de batería (R) en el mango de la herramienta, coloque primero el mango totalmente hacia adelante, luego alinee la batería con los rieles dentro del mango de la herramienta y deslícela en el mango hasta que esté firmemente insertada en la herramienta y asegúrese de que no se salga.

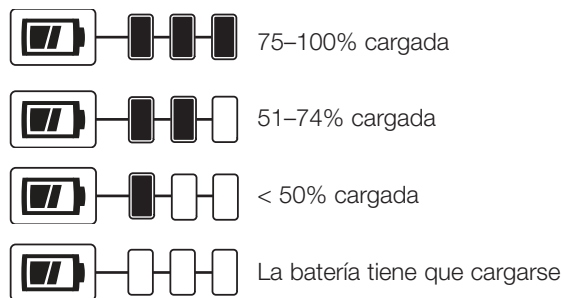
Para retirar la unidad de alimentación de la herramienta (R), presione los botones de liberación (S) y tire firmemente de la unidad de batería para sacarla del mango de la herramienta. Insértela en el cargador tal como se describe en la sección del cargador de este manual.



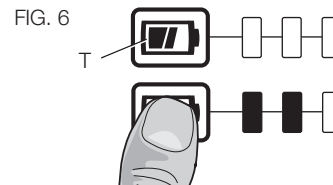
## UNIDADES DE BATERÍA CON INDICADOR DE CARGA (FIG. 6)

Algunas unidades de batería DEWALT incluyen un indicador de carga que consiste de tres luces LED verdes que indican el nivel de carga que queda en la unidad de batería.

El indicador de carga es una indicación de niveles aproximados de carga que quedan en la batería según los indicadores siguientes:



Para activar el indicador de carga, presione y sostenga el botón del indicador (T). Se iluminará una combinación de las tres luces LED verdes, que indicará el nivel de carga que queda. Cuando el nivel de carga está por debajo del nivel útil, el indicador no se iluminará, y la batería deberá recargarse.



**NOTA:** El indicador de carga es sólo eso: un indicador de la carga de la unidad de batería. No indica el nivel de funcionalidad de la herramienta y puede variar de acuerdo a las piezas del producto, la temperatura y la aplicación que el usuario le dé.

Para mayor información sobre unidades de batería con indicadores de carga, por favor llame al 1-800-4-DEWALT (1-800-433-9258) o visite nuestro sitio Web: [www.dewalt.com](http://www.dewalt.com).

## Instalación y desinstalación de las hojas

**⚠ADVERTENCIA:** Para reducir el riesgo de lesiones personales graves, apague la herramienta y retire el paquete de baterías antes de realizar ajustes o de retirar/instalar dispositivos o accesorios. Un arranque accidental podría causar lesiones.

**⚠ATENCIÓN:** Riesgo de cortadura. La palanca de tensión de la hoja está bajo presión de resorte. Mantenga el control de la palanca cuando libere la tensión de la hoja.

### PARA DESINSTALAR LA HOJA (FIG. 2, 4)

1. Gire la palanca de tensión de la hoja (I) en dirección a las manillas del reloj hasta que se detenga para relajar la tensión de la hoja. (Consulte la Figura 2).
2. Dé la vuelta a la sierra y colóquela sobre un banco de trabajo o mesa con el asa a la derecha.
3. Empiece sacando la hoja en la parte de arriba del protector de la hoja (O) y continúe alrededor de las poleas (N). Cuando retire la hoja, la tensión puede ser liberada y la hoja puede saltar de su lugar. LAS HOJAS DE SIERRAS SON FILUDAS. TENGA CUIDADO CUANDO LAS MANEJE.
4. Revise los rodillos de guía (F) y retire cualquier pieza grande que pudiera encontrarse atrapada en ellos. Las piezas atrapadas pueden prevenir la rotación de los rodillos guía y causar áreas planas en los rodillos de guía.
5. Las llantas de goma (P) están montadas en las poleas (N). Las llantas de goma deberían ser revisadas para confirmar que no están sueltas ni dañadas cuando se cambie la hoja. Limpie cualquier astilla que encuentre en las llantas de goma de las poleas. Esto aumentará la duración de las llantas y evitará que la hoja se resbale. Si se sueltan o dañan, la herramienta debería ser llevada a un centro de servicio autorizado DEWALT para ser

reparada o cambiada lo antes posible. El uso continuo de la herramienta con llantas de goma sueltas o dañadas causará que la hoja de la sierra de banda se desestabilice al desplazarse.

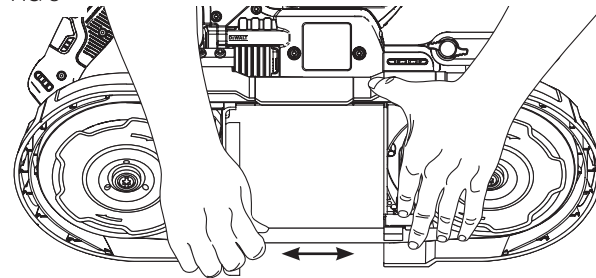
### PARA INSTALAR LA HOJA (FIG. 2, 4, 7-9)

1. Coloque la hoja de modo que los dientes queden debajo y angulados hacia el guía del material, como lo muestran las Figura 7.



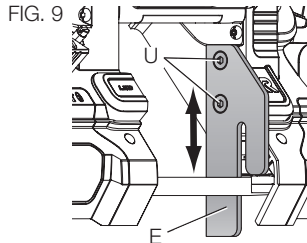
2. Deslice la hoja en los rodillos de guía, como lo muestra la Figura 8.
3. Sostenga la hoja en los rodillos de guía y colóquela alrededor de ambas poleas (N, Fig. 4) y luego por el guía del material (E), como lo muestra la Figura 9.
4. Asegúrese que la hoja esté completamente insertada en los rodillos de guía y posicionados en ángulo recto contra las llantas de goma.

FIG 8





5. Gire la palanca de tensión de la hoja (I) en dirección contraria a las manillas del reloj y luego suavemente voltee la sierra de tal forma que las poleas reposen sobre su banco o mesa de trabajo y. Asegúrese que los dientes miren en dirección opuesta a la sierra de banda (Fig. 7).
6. Encienda y apague la sierra unas pocas veces para asegurarse que la hoja está debidamente asentada.



### Mango de posiciones múltiples (Fig. 2)

Un mango viene con su herramienta para transportarla y para ser usado como un mango adicional. Ensamble el mango en una de las posiciones múltiples (hacia adelante, a 22.5°, 45°, 47.5° o hacia arriba) mostradas en la Figura 2. Cuando cambie el mango de una posición a otra, afloje el botón del mango y mueva el mango a una de las tres posiciones y apriete el botón.

**⚠WARNING:** Asegúrese de que la perilla del mango esté apretada y que el mango esté bien fijo antes de usar la sierra:

### Ajuste del Tope

Para poder soportar pieza de trabajo grandes, el tope debe ser bajado siguiendo los siguientes pasos:

1. Afloje los dos tornillos (U) que aparecen en la Figura 9, con la llave hexagonal (J) incluida.
2. Mueva el tope (E) a la posición deseada.
3. Ajuste firmemente los tornillos (U).

### Instalación de la escobilla y la tapa de la escobilla (Fig. 10)

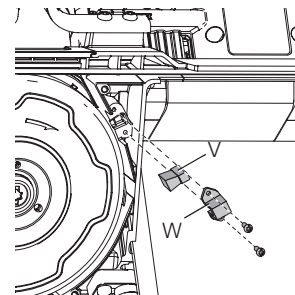
**⚠ADVERTENCIA:** Para reducir el riesgo de lesiones personales graves, apague la herramienta y retire el paquete de baterías antes de realizar ajustes o de retirar/instalar dispositivos o accesorios. Un arranque accidental podría causar lesiones.

**⚠ADVERTENCIA:** Para reducir el riesgo de lesión corporal grave, la escobilla, la tapa de la escobilla y la unidad de los protectores de hoja deben estar instalados para el uso con una mano.

**NOTA:** La unidad de escobilla/tapa de escobilla puede obtenerse por un costo adicional en su proveedor local o centro de servicio autorizado.

1. Dé la vuelta a la sierra y colóquela sobre un banco de trabajo o mesa con el asa a la derecha.
2. Primero, deslice la escobilla (V) en la ranura como se ve en la Figura 10, luego ponga la tapa de la escobilla (W) en la parte de arriba y atornillela bien en su sitio.

FIG. 10



### OPERACIÓN

**⚠ADVERTENCIA:** Para reducir el riesgo de lesiones personales graves, apague la herramienta y retire el paquete de baterías antes de realizar ajustes o de retirar/instalar dispositivos o accesorios. Un arranque accidental podría causar lesiones.

Existen ciertas aplicaciones para las cuales esta herramienta fue diseñada.

Esta sierra de banda ha sido diseñada para diversos tipos de material, de un diámetro máximo de 120.7 mm (4-3/4 pulg.) ó de una

dimensión máxima de 127 mm (5 pulg.) x 120.7 mm (4-3/4 pulg.) para piezas rectangulares de 90°.

**⚠ADVERTENCIA:** Limpie meticulosamente todo aceite y toda grasa que tenga la pieza de trabajo antes de fijarla en un torno u otro dispositivo de sujeción. Si la pieza de trabajo no está bien sujeta, puede soltarse durante el corte y romperse, lo cual podría causar graves lesiones corporales.

## Corte

Refiérase a la Figura 12 para ver posiciones de corte recomendadas para diferentes materiales.

**NOTA:** Seleccione y utilice la hoja para sierras de banda que sea más apropiada para el material a cortar. Vea la **Descripción de la hoja**.

Esta sierra de banda portátil debe ser colgada con el gancho para colgar (M, Fig. 4). Cuelgue la herramienta de una abrazadera de cañería u otra estructura adecuada y estable.

**⚠ADVERTENCIA:** Para reducir el riesgo de lesión personal, use el gancho para colgar solamente para apoyar el peso de la herramienta. Nunca debe de fiarse al gancho para colgar para apoyarse o para ayudarlo a mantenerse equilibrado.

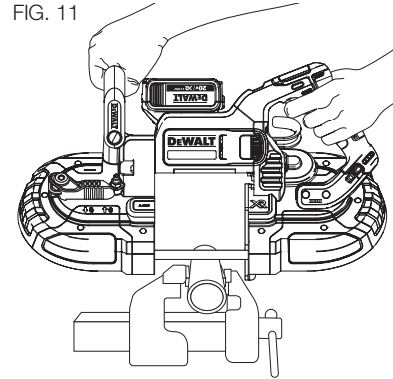
**⚠ADVERTENCIA:** Nunca intente usar esta herramienta colocándola sobre una superficie y trayendo el material hacia la herramienta. Sujete siempre bien la pieza de trabajo y lleve la herramienta a la pieza de trabajo, sujetando bien la herramienta con ambas manos como se muestra en la Figura 11.

1. Monte el material a ser cortado en un torno u otro dispositivo de sujeción.
2. Ponga el tope de la pieza de trabajo (E, Fig. 2) en contacto con la misma mientras mantiene la hoja alejada de la pieza de trabajo. Encienda la sierra.
3. Cuando la sierra alcance la velocidad de rotación deseada, incline lenta y suavemente el cuerpo principal de la herramienta para que

la hoja de la sierra entre en contacto con la pieza de trabajo. No aplique una presión adicional superior al peso del cuerpo principal de la herramienta. Evite hacer contacto entre la hoja y la superficie superior de la pieza en forma brusca y repentina. Esto causará daños serios a la hoja de la sierra de banda. Para un máximo de duración de la hoja de la sierra de banda, asegúrese que no haya un impacto repentino al inicio del corte.

4. Como aparece ilustrado en la Figura 11, puede hacer cortes rectos si mantiene la hoja de la sierra en línea con la superficie lateral de la caja protectora del motor. Si la hoja se tuerce o inclina, el corte se saldrá de su línea y la hoja durará menos.

FIG. 11

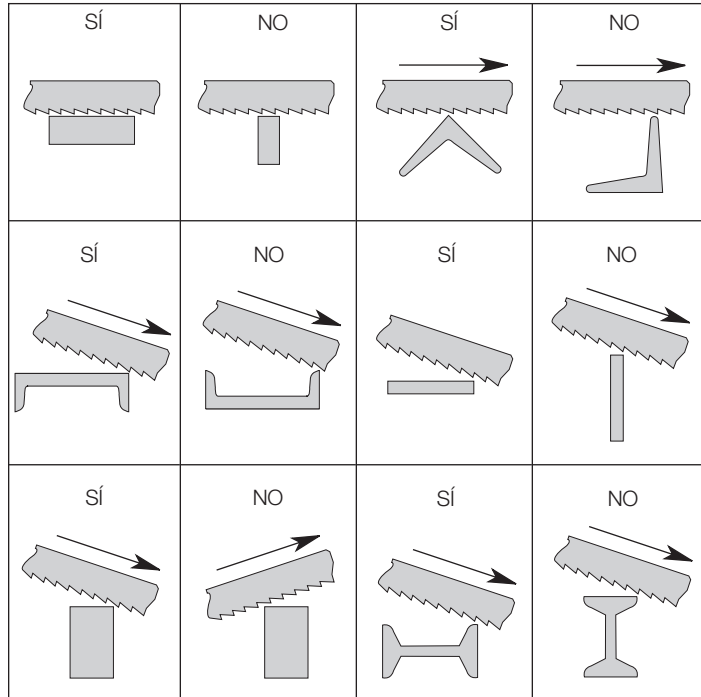


**AVISO:** Durante el corte, si la sierra de banda se bloquea o atora en el material de la pieza de trabajo, apague inmediatamente el interruptor para evitar dañar la hoja de la sierra y el motor.

5. El peso mismo de la herramienta, ofrece la presión más eficiente de corte hacia abajo. Si el operador añade más presión, la hoja irá más lentamente y durará menos.
6. Los extremos, que podrían ser lo suficientemente pesados como para causar lesiones cuando se caigan luego del corte, deberían ser debidamente apoyadas. Se recomienda utilizar calzado de seguridad. Los extremos pueden estar calientes y afilados.

FIG. 12

## POSICIONES DE CORTE RECOMENDADAS



7. Siempre que sea posible, sujete la sierra firmemente con ambas manos.

8. **NO REALICE CAMBIOS A LA VELOCIDAD A NO SER QUE LA HERRAMIENTA HAYA SIDO APAGADA.**

## Consejos para un corte mejor

Deben seguirse las siguientes recomendaciones como guía (consulte la Figura 12). Los resultados pueden variar dependiendo del operador y del material en particular que se está cortando.

- Jamás tuerza la hoja de la sierra durante el corte.
- Jamás utilice refrigerantes líquidos en conjunto con las sierras de banda portátiles. El uso de refrigerantes líquidos puede causar una acumulación en las llantas y entorpecer el desempeño.
- Si ocurre una vibración excesiva durante el corte, asegúrese que el material que se está cortando está firmemente sujeto. Si la vibración sigue, cambie la hoja de la sierra.

## MANTENIMIENTO

**⚠ ADVERTENCIA:** Para reducir el riesgo de lesiones personales graves, apague la herramienta y retire el paquete de baterías antes de realizar ajustes o de retirar/installar dispositivos o accesorios. Un arranque accidental podría causar lesiones.

## Lubricación

La herramienta incorpora cojinetes autolubricantes, por lo que no requiere lubricación periódica. En el desafortunado caso de necesitarse el servicio, lleve su herramienta a un centro de servicio autorizado.

## Limpieza

**⚠ ADVERTENCIA:** Sople la suciedad y el polvo de todos los conductos de ventilación con aire seco, al menos una vez por semana. Para reducir el riesgo de lesiones, utilice siempre protección para los ojos aprobada ANSI Z87.1 al realizar esta tarea.

**⚠ ADVERTENCIA:** Nunca utilice solventes ni otros químicos abrasivos para limpiar las piezas no metálicas de la herramienta. Estos productos químicos pueden debilitar los materiales plásticos utilizados en estas piezas. Utilice un paño humedecido sólo con agua y jabón

neutro. Nunca permita que penetre líquido dentro de la herramienta ni sumerja ninguna de las piezas en un líquido.

### INSTRUCCIONES DE LIMPIEZA DEL CARGADOR

**⚠ADVERTENCIA:** Riesgo de descarga eléctrica. Desconecte el cargador del tomacorriente de CA antes de limpiarlo. Se puede usar un paño o un cepillo suave, que no sea metálico, para quitar la suciedad y la grasa de la parte externa del cargador. No use agua ni cualquier otra solución de limpieza.

### Accesorios

**⚠ADVERTENCIA:** Debido a que no se han probado con este producto otros accesorios que no sean los que ofrece DEWALT., el uso de dichos accesorios con esta herramienta podría ser peligroso. Para reducir el riesgo de lesiones, con este producto deben usarse sólo los accesorios recomendados por DEWALT.

Los accesorios que se recomiendan para utilizar con la herramienta están disponibles a un costo adicional en su distribuidor local o en un centro de mantenimiento autorizado. Si necesita ayuda para localizar algún accesorio, póngase en contacto con DEWALT Industrial Tool Co., 701 East Joppa Road, Towson, MD 21286, llame al 1-800-4-DEWALT (1-800-433-9258) o visite nuestro sitio web: [www.dewalt.com](http://www.dewalt.com).

### Reparaciones

El cargador y las unidades de batería no pueden ser reparados.

**⚠ADVERTENCIA:** Para garantizar la **SEGURIDAD** y la **CONFIABILIDAD** del producto, las reparaciones, el mantenimiento y los ajustes (incluyendo la inspección y el cambio de la escobilla) deben realizarse por un centro de servicio de fábrica o un centro servicio autorizado DEWALT. Utilice siempre piezas de repuesto idénticas. Utilice siempre piezas de repuesto idénticas.

### PARA REPARACIÓN Y SERVICIO DE SUS HERRAMIENTAS ELÉCTRICAS, FAVOR DE DIRIGIRSE AL CENTRO DE SERVICIO MÁS CERCANO

#### CULIACAN, SIN

Bldv.Emiliano Zapata 5400-1 Poniente  
Col. San Rafael (667) 717 89 99

#### GUADALAJARA, JAL

Av. La Paz #1779 - Col. Americana Sector Juárez (33) 3825 6978

#### MEXICO, D.F.

Eje Central Lázaro Cárdenas No. 18  
Local D, Col. Obrera (55) 5588 9377

#### MERIDA, YUC

Calle 63 #459-A - Col. Centro (999) 928 5038

#### MONTERREY, N.L.

Av. Francisco I. Madero 831 Poniente - Col. Centro (818) 375 23 13

#### PUEBLA, PUE

17 Norte #205 - Col. Centro (222) 246 3714

#### QUERETARO, QRO

Av. San Roque 274 - Col. San Gregorio (442) 2 17 63 14

#### SAN LUIS POTOSI, SLP

Av. Universidad 1525 - Col. San Luis (444) 814 2383

#### TORREON, COAH

Bldv. Independencia, 96 Pte. - Col. Centro (871) 716 5265

#### VERACRUZ, VER

Prolongación Díaz Mirón #4280 - Col. Remes (229) 921 7016

#### VILLAHERMOSA, TAB

Constitución 516-A - Col. Centro (993) 312 5111

### PARA OTRAS LOCALIDADES:

Si se encuentra en México, por favor llame al (55) 5326 7100

Si se encuentra en U.S., por favor llame al  
1-800-433-9258 (1-800 4-DEWALT)

## Póliza de Garantía

IDENTIFICACIÓN DEL PRODUCTO:

Sello o firma del Distribuidor.

Nombre del producto: \_\_\_\_\_ Mod./Cat.: \_\_\_\_\_

Marca: \_\_\_\_\_ Núm. de serie: \_\_\_\_\_

(Datos para ser llenados por el distribuidor)

Fecha de compra y/o entrega del producto: \_\_\_\_\_

Nombre y domicilio del distribuidor donde se adquirió el producto: \_\_\_\_\_

Este producto está garantizado por un año a partir de la fecha de entrega, contra cualquier defecto en su funcionamiento, así como en materiales y mano de obra empleados para su fabricación. Nuestra garantía incluye la reparación o reposición del producto y/o componentes sin cargo alguno para el cliente, incluyendo mano de obra, así como los gastos de transportación razonablemente erogados derivados del cumplimiento de este certificado.

Para hacer efectiva esta garantía deberá presentar su herramienta y esta póliza sellada por el establecimiento comercial donde se adquirió el producto, de no contar con ésta, bastará la factura de compra.

### EXCEPCIONES

Esta garantía no será válida en los siguientes casos:

- Cuando el producto se hubiese utilizado en condiciones distintas a las normales;
- Cuando el producto no hubiese sido operado de acuerdo con el instructivo de uso que se acompaña;
- Cuando el producto hubiese sido alterado o reparado por personas distintas a las enlistadas al final de este certificado.

Anexo encontrará una relación de sucursales de servicio de fábrica, centros de servicio autorizados y franquiciados en la República Mexicana, donde podrá hacer efectiva su garantía y adquirir partes, refacciones y accesorios originales.

## Registro en línea

Gracias por su compra. Registre su producto ahora para:

- **SERVICIO EN GARANTÍA:** Si completa esta tarjeta, podrá obtener un servicio en garantía más eficiente, en caso de que exista un problema con su producto.
- **CONFIRMACIÓN DE PROPIEDAD:** En caso de una pérdida que cubra el seguro, como un incendio, una inundación o un robo, el registro de propiedad servirá como comprobante de compra.
- **PARA SU SEGURIDAD:** Si registra el producto, podremos comunicarnos con usted en el caso improbable que se deba enviar una notificación de seguridad conforme a la Federal Consumer Safety Act (Ley Federal de Seguridad de Productos para el Consumidor).

Registro en línea en [www.dewalt.com/register](http://www.dewalt.com/register).

## Garantía limitada por tres años

DEWALT reparará, sin cargo, cualquier falla que surja de defectos en el material o la fabricación del producto, por hasta tres años a contar de la fecha de compra. Esta garantía no cubre fallas de las piezas causadas por su desgaste normal o abuso a la herramienta. Para mayores detalles sobre la cobertura de la garantía e información acerca de reparaciones realizadas bajo garantía, visítenos en [www.dewalt.com](http://www.dewalt.com) o diríjase al centro de servicio más cercano. Esta garantía no aplica a accesorios o a daños causados por reparaciones realizadas o intentadas por terceros. Esta garantía le otorga derechos legales específicos, además de los cuales puede tener otros dependiendo del estado o la provincia en que se encuentre.

Además de la garantía, las herramientas DEWALT están cubiertas por:

### 1 AÑO DE SERVICIO GRATUITO

DEWALT mantendrá la herramienta y reemplazará las piezas gastadas por su uso normal, sin cobro, en cualquier momento durante un año a contar de la fecha de compra. Los artículos gastados por la clavadora, tales como la unidad de hoja y retorno del impulsador, no están cubiertas.

### 2 AÑOS DE SERVICIO GRATUITO PARA UNIDADES DE ALIMENTACIÓN DEWALT

DC9071, DC9091, DC9096, DC9280, DC9360, DC9180, DCB120, DCB127, DCB201, DCB203, DCB203BT y DCB207

### 3 AÑOS DE SERVICIO GRATUITO PARA UNIDADES DE ALIMENTACIÓN DEWALT

DCB200, DCB204, DCB204BT DCB205

### UNIDADES DE BATERÍA DEWALT

La garantía del producto quedará nula si la unidad de batería ha sido alterada de cualquier manera. DEWALT no es responsable de ninguna lesión causada por alteraciones y podría iniciar un procedimiento judicial por fraude de garantía hasta el máximo grado permisible por la ley.

### GARANTÍA DE REEMBOLSO DE SU DINERO POR 90 DÍAS

Si no está completamente satisfecho con el desempeño de su máquina herramienta, láser o clavadora DEWALT, cualquiera sea el motivo, podrá devolverlo hasta 90 días de la fecha de compra con su recibo y obtener el reembolso completo de su dinero – sin necesidad de responder a ninguna pregunta.

**AMÉRICA LATINA:** Esta garantía no se aplica a los productos que se venden en América Latina. Para los productos que se venden en América Latina, debe consultar la información de la garantía específica del país que viene en el empaque, llamar a la compañía local o visitar el sitio Web a fin de obtener esa información.

**REEMPLAZO GRATUITO DE LAS ETIQUETAS DE ADVERTENCIAS:** Si sus etiquetas de advertencia se vuelven ilegibles o faltan, llame al 1-800-433-9258 (1-800-4-DEWALT) para que se le reemplacen gratuitamente.



### ESPECIFICACIONES

DCS374 20 V Máx\* 0–490 PSPM (150M/min)

SOLAMENTE PARA PROPÓSITO DE MÉXICO:  
IMPORTADO POR: DEWALT INDUSTRIAL TOOL CO. S.A. DE C.V.  
AVENIDA ANTONIO DOVALI JAIME, # 70 TORRE B PISO 9  
COLONIA LA FE, SANTA FÉ  
CÓDIGO POSTAL : 01210  
DELEGACIÓN ALVARO OBREGÓN  
MÉXICO D.F.  
TEL. (52) 555-326-7100  
R.F.C.: BDE810626-1W7

Para servicio y ventas consulte  
"HERRAMIENTAS ELECTRICAS"  
en la sección amarilla.



## DEWALT Battery and Charger Systems

Chargers/Charge Time (Minutes) – Chargeurs/Durée de charge (Minutes) – Cargadores de baterías/Tiempo de carga (Minutos)

Battery Cat #	Output Voltage	120 Volts																			12 Volts								
		DC011	DC022	DC9000	DC9310	DC9320	DCB095	DCB100	DCB101	DCB102	DCB103	DCB107	DCB112	DCB113	DCB114	DCB115	DW911	DW9106	DW9107	DW9108	DW9116	DW9117	DW9118	DW9216	DW9226	DCB119	DW0249	DW9109	DC9319
DCB404	40	X	X	X	X	X	X	X	X	X	X	X	X	X	90	X	X	X	X	X	X	X	X	X	X	X	X	X	
DCB406	40	X	X	X	X	X	X	X	X	X	X	X	X	130	X	X	X	X	X	X	X	X	X	X	X	X	X	X	
DC9360	36	X	X	45	X	X	X	X	X	X	X	X	X	X	X	X	X	X	X	X	X	X	X	X	X	X	X	X	
DCB361	36	X	X	45	X	X	X	X	X	X	X	X	X	X	X	X	X	X	X	X	X	X	X	X	X	X	X	X	
DC9280	28	X	X	60	X	X	X	X	X	X	X	X	X	X	X	X	X	X	X	X	X	X	X	X	X	X	X	X	
DW0242	24	X	X	X	X	X	X	X	X	X	X	X	X	X	X	X	X	X	X	X	X	X	X	X	X	X	60	X	X
DCB200	20	X	X	X	X	X	X	X	60	60	60	140	90	67	X	60	X	X	X	X	X	X	X	X	X	90	X	X	X
DCB201	20	X	X	X	X	X	X	X	30	30	30	70	45	35	X	30	X	X	X	X	X	X	X	X	X	45	X	X	X
DCB203/BT*	20	X	X	X	X	X	X	X	35	35	35	90	60	45	X	35	X	X	X	X	X	X	X	X	60	X	X	X	
DCB204/BT*	20	X	X	X	X	X	X	X	70	70	70	185	120	90	X	70	X	X	X	X	X	X	X	X	120	X	X	X	X
DCB205	20	X	X	X	X	X	X	X	90	90	90	240	150	112	X	90	X	X	X	X	X	X	X	X	150	X	X	X	X
DCB207	20	X	X	X	X	X	X	X	30	30	30	60	40	30	X	30	X	X	X	X	X	X	X	X	X	X	X	X	X
DC9096	18	60	60	X	60	60	X	X	X	X	60	X	X	X	X	60	X	X	X	60	60	20	X	60	130	X	X	60	60
DC9099	18	45	45	X	45	45	X	X	X	X	45	X	X	X	X	45	X	X	X	45	45	15	X	45	95	X	X	45	45
DC9180	18	X	X	X	60	60	X	X	X	X	60	X	X	X	X	X	X	X	X	X	X	X	X	X	X	X	X	X	60
DC9181	18	X	X	X	30	30	X	X	X	X	30	X	X	X	X	X	X	X	X	X	X	X	X	X	X	X	X	X	30
DC9182	18	X	X	X	40	40	X	X	X	X	40	X	X	X	X	X	X	X	X	X	X	X	X	X	X	X	X	X	40
DW9096	18	60	60	X	60	60	X	X	X	X	60	X	X	X	X	60	X	X	X	60	60	20	X	60	130	X	X	60	60
DW9098	18	30	30	X	30	30	X	X	X	X	30	X	X	X	X	30	X	X	X	30	30	12	X	30	60	X	X	30	30
DW9099	18	45	45	X	45	45	X	X	X	X	45	X	X	X	X	45	X	X	X	45	45	15	X	45	95	X	X	45	45
DC9091	14.4	60	60	X	60	60	X	X	X	X	60	X	X	X	X	60	90	60	60	60	20	115	60	115	X	X	60	60	
DC9094	14.4	45	45	X	45	45	X	X	X	X	45	X	X	X	X	45	60	45	45	45	15	90	45	90	X	X	45	45	
DW9091	14.4	45	45	X	45	45	X	X	X	X	45	X	X	X	X	45	60	45	45	45	15	90	45	90	X	X	45	45	
DW9094	14.4	30	30	X	30	30	X	X	X	X	30	X	X	X	X	30	45	30	30	30	12	60	30	60	X	X	30	30	
DCB120	12	X	X	X	X	X	X	40	30	30	30	60	45	35	X	30	X	X	X	X	X	X	X	X	45	X	X	X	X
DCB127	12	X	X	X	X	X	X	35	35	35	90	60	50	X	35	X	X	X	X	X	X	X	X	X	60	X	X	X	X
DC9071	12	60	60	X	60	60	X	X	X	X	60	X	X	X	X	60	90	60	60	60	20	115	60	115	X	X	X	60	60
DW9050	12	X	X	X	X	X	X	X	X	X	X	X	X	X	X	40	X	X	X	X	X	X	X	X	X	X	X	X	X
DW9071	12	45	45	X	45	45	X	X	X	X	45	X	X	X	X	45	60	45	45	45	15	90	45	90	X	X	45	45	
DW9072	12	30	30	X	30	30	X	X	X	X	30	X	X	X	X	30	45	30	30	30	12	60	30	60	X	X	30	30	
DW9048	9.6	X	X	X	X	X	X	X	X	X	X	X	X	X	X	40	X	X	X	X	X	X	X	X	X	X	X	X	X
DW9061	9.6	45	45	X	45	45	X	X	X	X	45	X	X	X	X	45	60	45	45	45	15	90	45	90	X	X	45	45	
DW9062	9.6	30	30	X	30	30	X	X	X	X	30	X	X	X	X	30	45	30	30	30	12	60	30	60	X	X	30	30	
DCB080	8	X	X	X	X	X	60	X	X	X	X	X	X	X	X	X	X	X	X	X	X	X	X	X	X	X	X	X	X
DW9057	7.2	30	30	X	30	30	X	X	X	X	30	X	X	X	X	30	45	30	30	30	12	60	30	60	X	X	30	30	

\*BT - Bluetooth\*

**NOTE:** The Bluetooth® word mark and logos are registered trademarks owned by the Bluetooth® SIG, Inc. and any use of such marks by DEWALT is under license. Other trademarks and trade names are those of their respective owners.

**"X" Indicates that the battery pack is not compatible with that specific charger. All charge times are approximate. Actual charge time may vary. Read the instruction manual for more specific information.**

\*X" indique que le bloc-piles n'est pas compatible avec ce chargeur. Les durées de charge sont approximatives; la durée de charge réelle peut varier. Lire le manuel d'utilisation pour obtenir des renseignements plus précis.

Una "X" indica que el paquete de baterías no es compatible con ese determinado cargador. El tiempo de duración de carga es aproximado; la duración de carga real puede variar. Lea el manual de instrucciones para obtener información más precisa.

\* Maximum initial battery voltage (measured without a workload) is 20 volts. Nominal voltage is 18.

\* La tension initiale maximum du bloc-piles (mesurée à vide) est de 20 volts. La tension nominale est de 18.

\* El máximo voltaje inicial de la batería (medido sin carga de trabajo) es 20 voltios. El voltaje nominal es de 18.

DEWALT Industrial Tool Co., 701 Joppa Road, Towson, MD 21286  
(SEP15) Part No. N439287 DCS374 Copyright © 2015 DEWALT

The following are trademarks for one or more DEWALT power tools: the yellow and black color scheme, the "D" shaped air intake grill, the array of pyramids on the handgrip, the kit box configuration, and the array of lozenge-shaped humps on the surface of the tool.