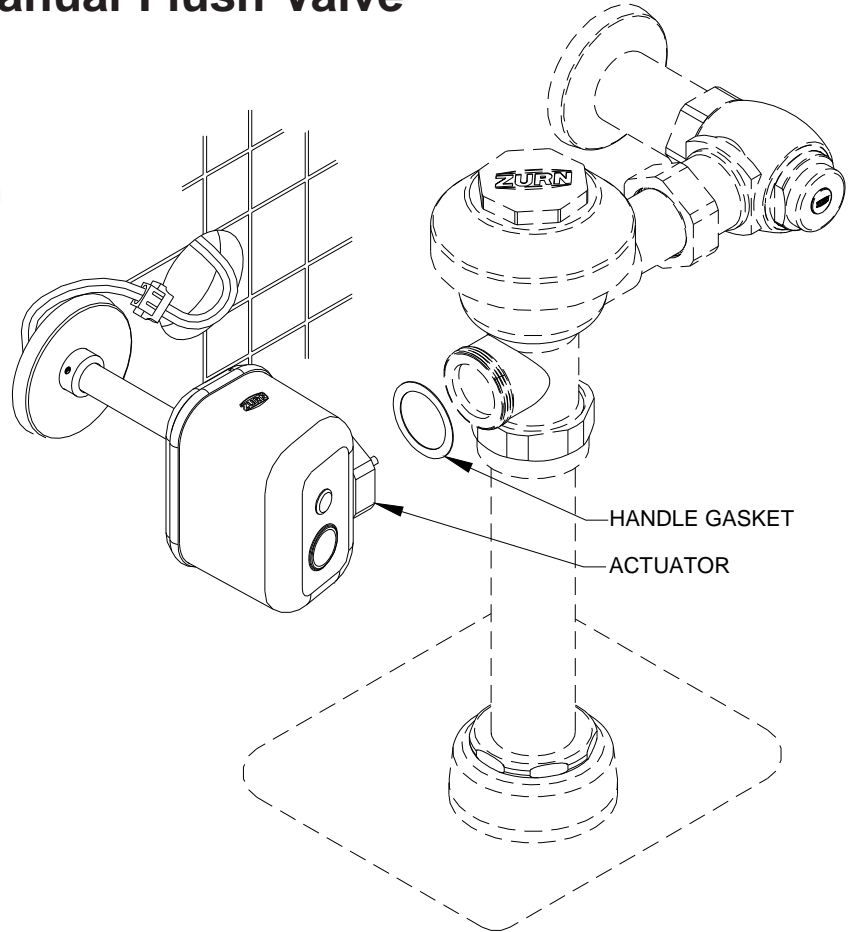




# PEMS6000-CON-KIT-IS

## Hardwired Automatic Sensor Retrofit Kit For Manual Flush Valve



HANDLE GASKET  
ACTUATOR

**Accessories (Order separate as specified)**

**P6000-PC6** Plug-in Power Converter  
(Up to 4 valves)

**P6000-MJ** Mini Junction Box

**P6000-HW6** Hardwire Power Converter  
(Up to 8 valves)

**NOTE: MUST USE EITHER ZURN P6000-HW6 HARDWIRE POWER CONVERTER OR ZURN P6000-PC6 PLUG-IN POWER CONVERTER TO ENSURE PROPER OPERATION. USING A POWER CONVERTER OTHER THAN ZURN MAY RESULT IN OPERATION MALFUNCTION OR UNIT FAILURE.**

**ENGINEERING SPECIFICATION: ZURN PEMS6000-CON-KIT-IS AquaSense® Exposed Hardwired Sensor Retrofit Kit for Flush Valve-** The unit incorporates a motorized actuator, an integral infrared convergence-type proximity sensor and a manual push-button override into an all-metal, polished chrome plated housing. Kit includes motor actuator, wall escutcheon and power cord.

This space is for Architectural/engineering Approval

The information contained in this document is subject to change without notice.  
Please contact Zurn for most up to date information.

ZURN INDUSTRIES, LLC. ♦ COMMERCIAL BRASS OPERATION ♦ 5900 ELWIN BUCHANAN DRIVE ♦ SANFORD NC 27330

Phone: 1-800-997-3876 ♦ Fax: 919-775-3541 ♦ World Wide Web: www.zurn.com

In Canada: ZURN INDUSTRIES LIMITED ♦ 3544 Nashua Drive ♦ Mississauga, Ontario L4V1L2 ♦ Phone: 905-405-8272 Fax: 905-405-1292