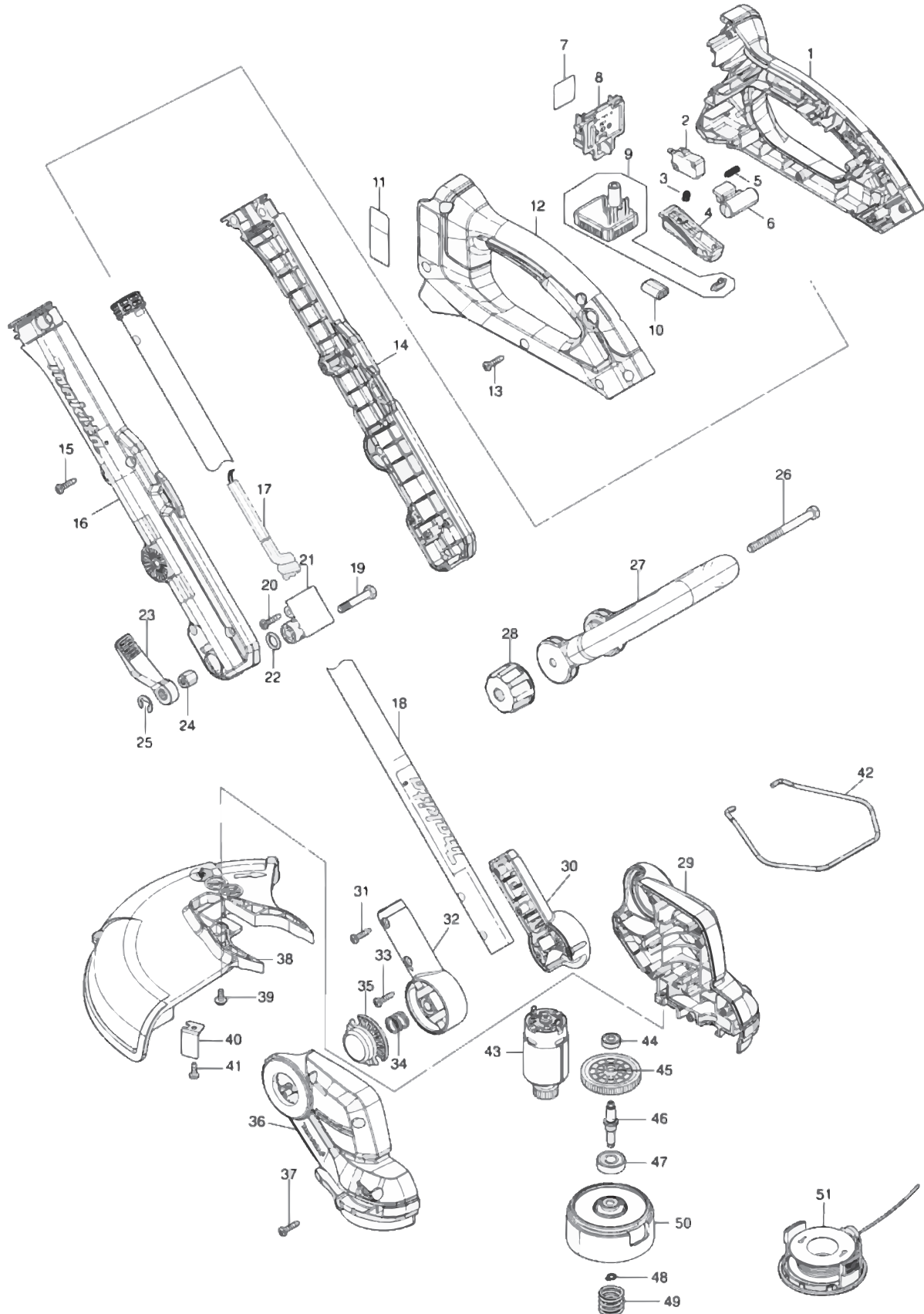




**XRU24**



Products with multiple versions are listed in subsiding order with the newest version on top not indented.

Section	Fig. No.	Part No.	Description	XRU24	Tech Bulletin	Notes
1	1	183V19-7	GRIP HOUSING SET	1		INC FIG 12
1		263005-3	RUBBER PIN 6	2		INC WITH FIG 1
1	3	231473-8	COMPRESSION SPRING 4	1		
1	4	413G06-5	SWITCH LEVER	1		
1	5	231473-8	COMPRESSION SPRING 4	1		
1	6	413G05-7	LOCK OFF BUTTON	1		
1	8	644809-6	TERMINAL	1		
1	9	620J15-7	CONTROLLER	1		
1	10	688172-7	LINE FILTER	1		
1	12	183V19-7	GRIP HOUSING SET	1		INC FIG 12
1		263005-3	RUBBER PIN 6	2		INC WITH FIG 12
1	13	266326-2	TAPPING SCREW 4X18	6		
1	14	183V18-9	PIPE COVER SET	1		INC FIG 16
1	15	266326-2	TAPPING SCREW 4X18	4		
1	16	183V18-9	PIPE COVER SET	1		INC FIG 14
1	17	660500-8	POWER SUPPLY CORD	1		
1	18	141K20-2	PIPE 22 COMPLETE B	1		
1	19	265C82-9	HEX. BOLT M6X35	1		
1	20	266326-2	TAPPING SCREW 4X18	1		
1	21	413G10-4	SLEEVE	1		
1	22	213105-9	O RING 11	1		
1	23	413G09-9	LEVER 60	1		
1	24	252133-9	HEX. NUT M6	1		
1	25	961014-3	STOP RING E-8	1		
1	26	265C83-7	HEX.BOLT M6X75	1		
1	27	413F75-0	LOOP HANDLE	1		
1	28	264072-1	THUMB NUT M6	1		
1	29	183V20-2	MOTOR HOUSING SET	1		INC FIG 36
1		263005-3	RUBBER PIN 6	2		INC WITH FIG 29
1		346275-0	PLATE	1		INC WITH FIG 29
1	30	183V17-1	PIPE HOLDER SET	1		INC FIG 32
1	31	266326-2	TAPPING SCREW 4X18	2		
1	32	183V17-1	PIPE HOLDER SET	1		INC FIG 30
1	33	266326-2	TAPPING SCREW 4X18	2		
1	34	231113-8	COMPRESSION SPRING 12	1		

Products with multiple versions are listed in subsiding order with the newest version on top not indented.

Section	Fig. No.	Part No.	Description	XRU24	Tech Bulletin	Notes
1	35	413G08-1	LOCK OFF BUTTON B	1		
1	36	183V20-2	MOTOR HOUSING SET	1		INC FIG 29
1		263005-3	RUBBER PIN 6	2		INC WITH FIG 36
1		346275-0	PLATE	1		INC WITH FIG 36
1	37	266326-2	TAPPING SCREW 4X18	6		
1	38	413F73-4	PROTECTOR	1		
1	39	911119-9	PAN HEAD SCREW M4X12	1		
1	40	347977-1	CUTTER	1		
1	41	266427-6	TAPPING SCREW 4X12	1		
1	42	327969-6	WIRE GUARD	1		
1	43	629B89-7	DC MOTOR	1		
1	44	210065-6	BALL BEARING 625ZZ	1		
1	45	227949-1	HELICAL GEAR 48	1		
1	46	327967-0	CUTTER SHAFT	1		
1	47	210217-9	BALL BEARING 609ZZ	1		
1	48	961002-0	RETAINING RING S-6	1		
1	49	231352-0	COMPRESSION SPRING 17	1		
1	50	413F76-8	SPOOL HOLDER	1		
1	51	191Y39-5	SPOOL SET MG	1		
1	A01	127508-0	BAND ASS'Y	1		NOT PICTURED