



Item # 1005 141 786
Model # G7200S1-US

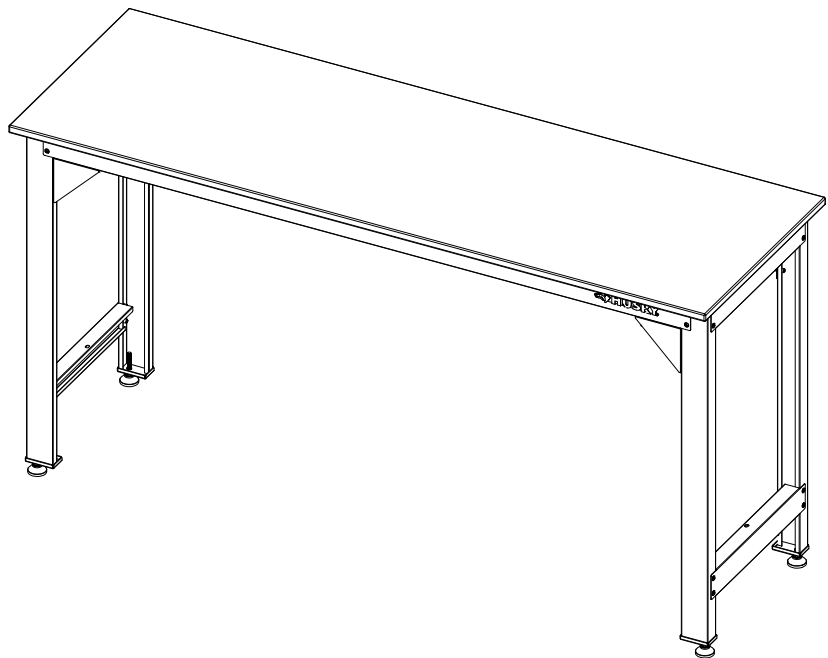
USE AND CARE GUIDE

72 IN. WORKBENCH

Questions, problems, missing parts?
Before returning to the store, call
Husky Customer Service
8 a.m. - 7 p.m., EST, Monday - Friday
9 a.m. - 6 p.m., EST, Saturday

1-888-HD-HUSKY

WWW.HUSKYTOOLS.COM



Due to continuing improvements,
the actual product may differ slightly
from the product described herein.

THANK YOU

We appreciate the trust and confidence you have placed in Husky through the purchase of this workbench. We strive to continually create quality products designed to enhance your home. Visit us online to see our full line of products available for your home improvement needs. Thank you for choosing Husky!

Table of Contents

Table of Contents	2	Assembly	5
Safety Information	2	Maintenance	6
Warranty	2	Care and Cleaning	6
Specifications	2	Service Parts	7
Pre-Assembly	3	Coordinating Products	7

Safety Information

To reduce the risk of serious injury, read and follow the safety instructions below before assembling and using this product.

- This product is intended for indoor use only.
- This product is not designed for commercial nor industrial usage.
- Solid wood refers to rubber wood.



CAUTION: DO NOT alter this product in any manner. For example, do not weld external bar locks or attach electrical equipment. This may cause product damage or personal injury.



CAUTION: Check all nuts and bolts periodically for tightness. When required, tighten them.



CAUTION: DO NOT leave children unattended near this product.



WARNING: Keep the product on level surfaces. The product could become unstable and it may tip over if stored or moved on an uneven surface, which may cause personal injury, death or product damage.



WARNING: Any assembly or maintenance of the product must be carried out by adults only.



WARNING: Use at least two people to move, assemble or install this cabinet. Failure to do so can result in personal injury or product damage.



WARNING: DO NOT stand on the product and do not use it as scaffold.

Warranty

1 year Limited Warranty for Solid Wood top. This warranty excludes incidental/inconsequential damages and failures due to misuse, abuse or normal wear and tear.

This full warranty gives you specific rights, and you may also have other rights, which vary state to state.

Contact the customer service team at 1-888-HD-HUSKY or visit www.huskytools.com.

Specifications

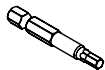
Maximum load	1000 lbs. / 453.5 kg
--------------	----------------------

Pre-Assembly

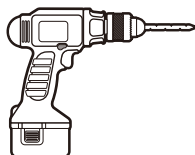
TOOLS REQUIRED



Hex Wrench
(Hex Key)



Hex Screwdriver Bit



Drill
(not included)

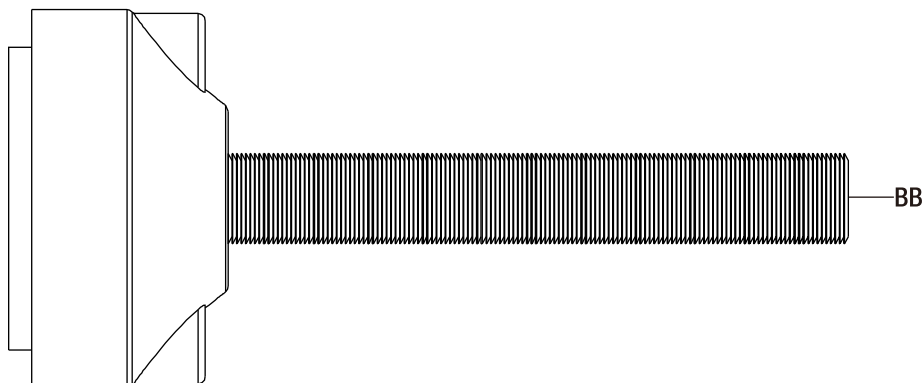


Gloves
(not included)

HARDWARE INCLUDED



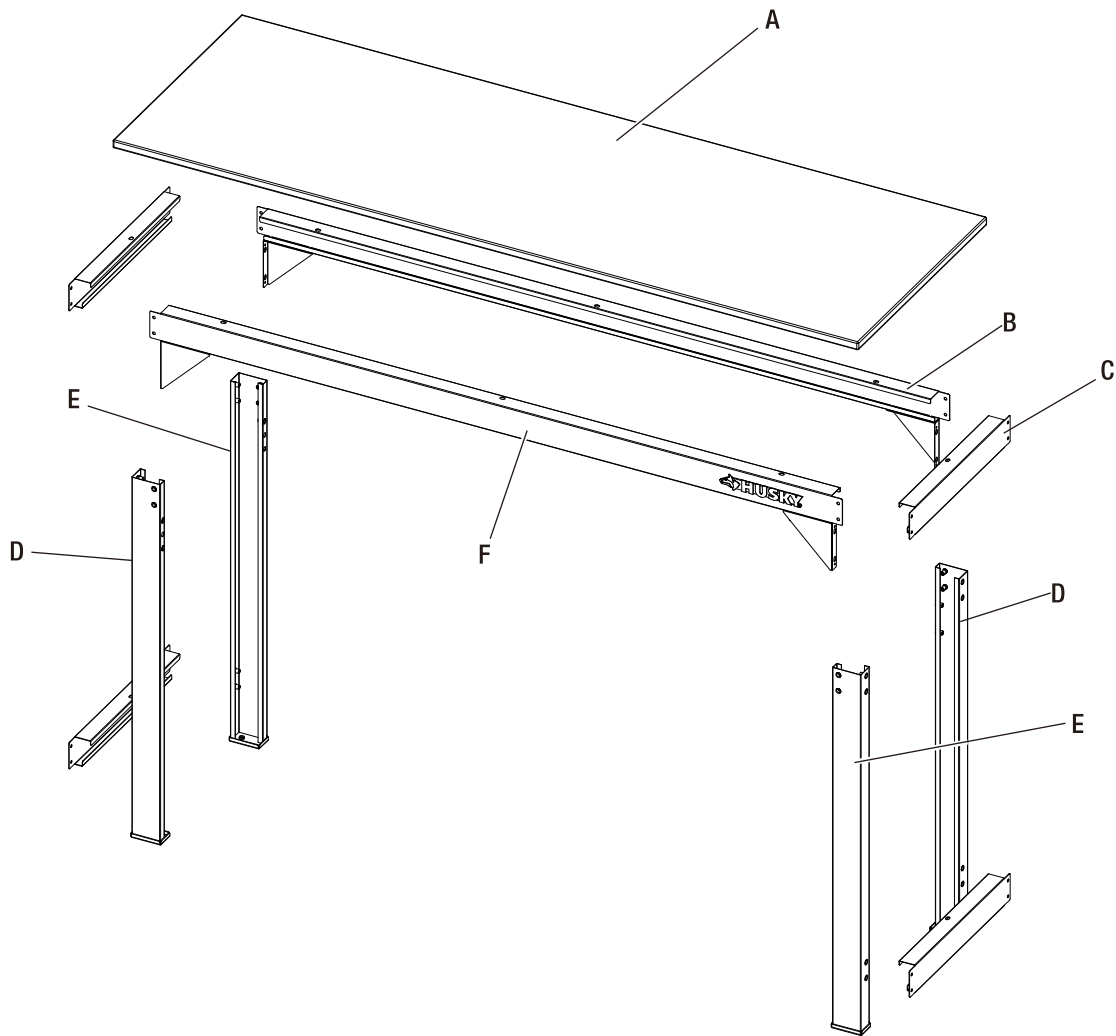
NOTE: Hardware shown to actual size.



Part	Description	Quantity
AA	M6 x 16 hex socket head screw	40
BB	Adjustable foot	4

Pre-Assembly (continued)

PACKAGE CONTENTS



Part	Description	Quantity
A	Solid wood top	1
B	Back stiffener	1
C	Side stiffener	4
D	Post A	2
E	Post B	2
F	Front stiffener	1

Assembly



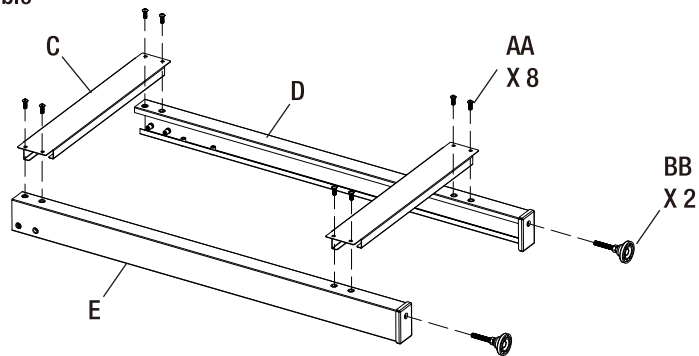
NOTE: Assemble on a flat surface. A piece of cardboard is recommended to keep the product from being scratched during assembly.



Please wear gloves during the whole assembling process.

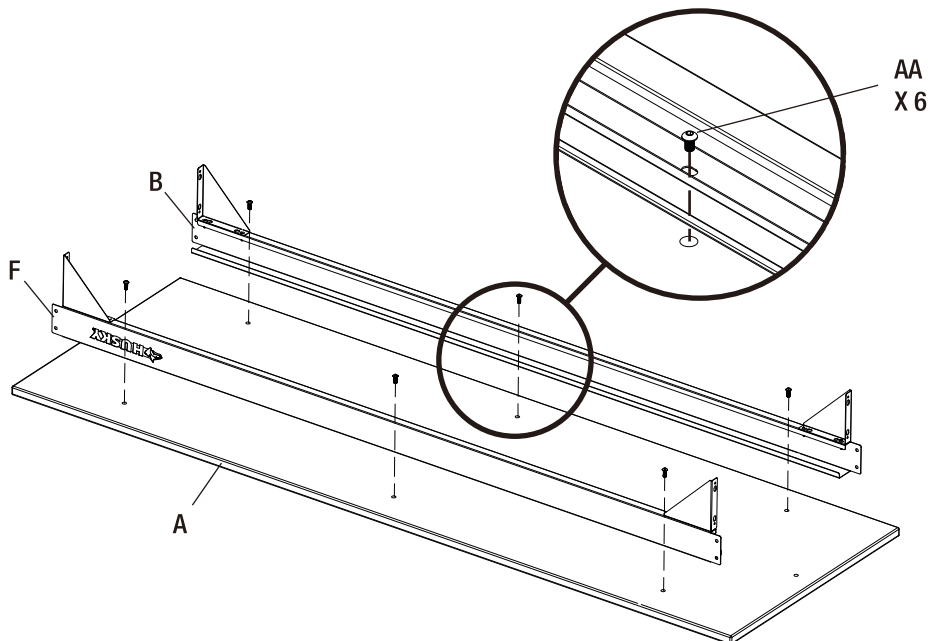
1 ASSEMBLE TWO ENDS OF THE WORKBENCH

- Assemble one end of workbench by attaching the two side stiffeners (C) to one post A (D) and one post B (E). Tighten securely with eight M6 x 16 hex socket head screws (AA).
- Screw two adjustable feet (BB) into the bottom of the posts.
- Repeat the same procedure to assemble the other end of the workbench.



2 ATTACH THE FRONT AND BACK STIFFENERS

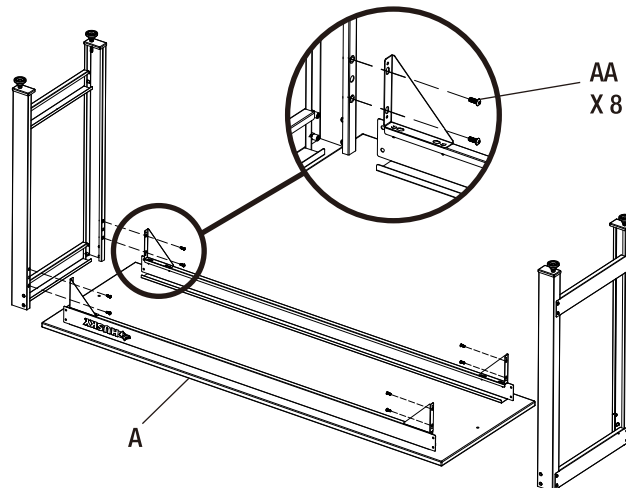
Attach the front and back stiffeners (F & B) to the wood top (A) by six M6 x 16 hex socket head screws (AA). Tighten securely.



Assembly (continued)

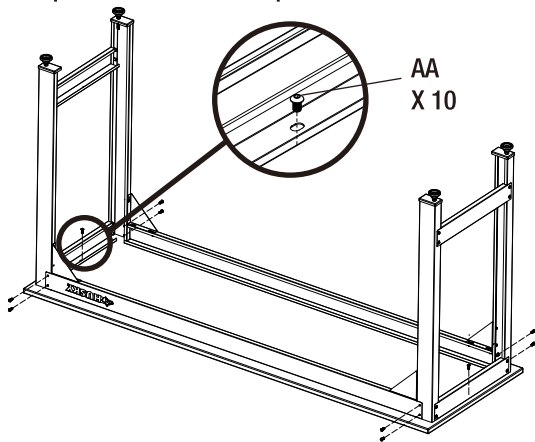
3 ATTACH THE TWO ENDS

Attach the two ends to the wood top (A) by eight M6 x 16 hex socket head screws (AA) in horizontal direction. Tighten securely.



4 SECURE THE FRAME AND STAND UP THE WORKBENCH

- Secure the workbench frame by ten M6 x 16 hex socket head screws (AA).
- Stand up the workbench and place it on the desired level floor. Adjust the feet if necessary to make the workbench stable.



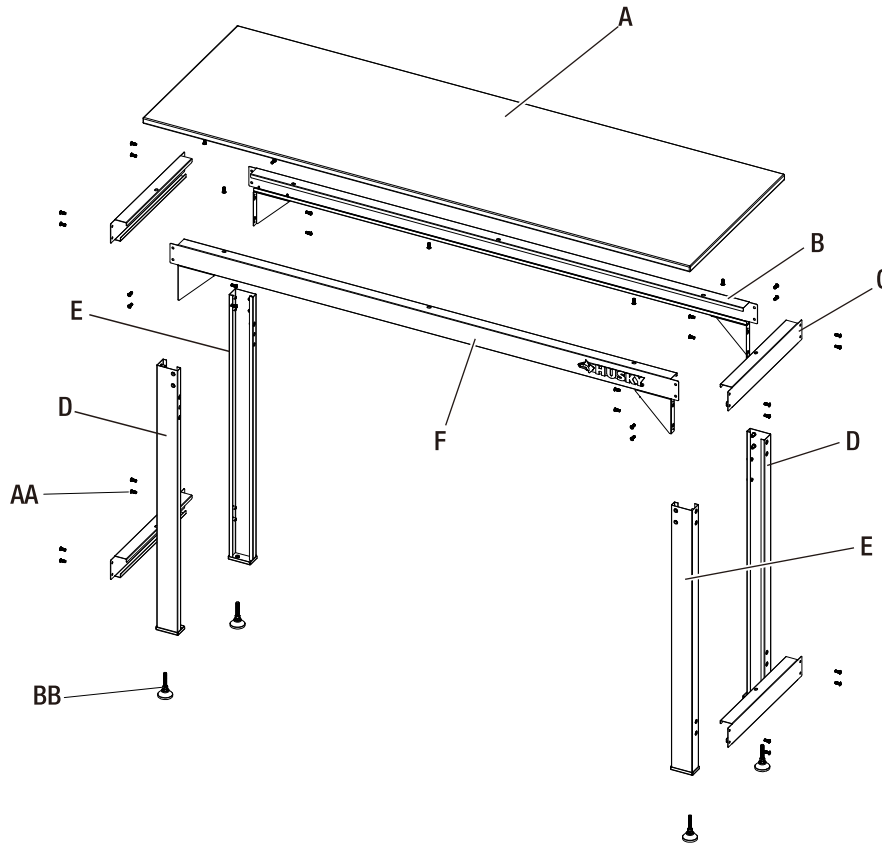
Maintenance

Check all nuts and bolts periodically for tightness. When required tighten them.

Care and Cleaning

- Periodically clean the workbench surfaces with a soft rag and water.
- Grease and oil can be removed with most standard cleaning fluids. For safety, use a nonflammable cleaning fluid.

Service Parts

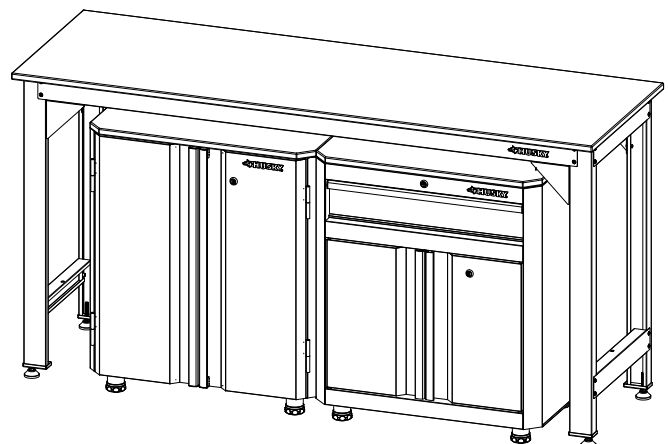


Part	Replacement Part #	Description	Quantity
A	572202	Solid wood top	1
B	121825	Back stiffener	1
C	243279	Side stiffener	4
D	121826	Post A	2

Part	Replacement Part #	Description	Quantity
E	121828	Post B	2
F	121896	Front stiffener	1
AA	320327	M6 x 16 hex socket head screw	40
BB	110068	Adjustable foot	4

Coordinating Products

This product coordinates well with Husky 28 in. base cabinets to offer a best storage solution. They can be combined into various combinations to meet different storage requirements.





Questions, problems, missing parts? Before returning to the store,
call Husky Customer Service
8 a.m. - 7 p.m., EST, Monday - Friday
9 a.m. - 6 p.m., EST, Saturday

1-888-HD-HUSKY

WWW.HUSKYTOOLS.COM

Retain this manual for future use.