



OPERATOR'S MANUAL
MANUEL D'UTILISATION
MANUAL DEL OPERADOR

BISCUIT JOINER
DOUBLE INSULATED

RAINUREUSE
DOUBLE ISOLATION

ENGALLETADORA
DOBLE AISLAMIENTO

JM82 / JM82G

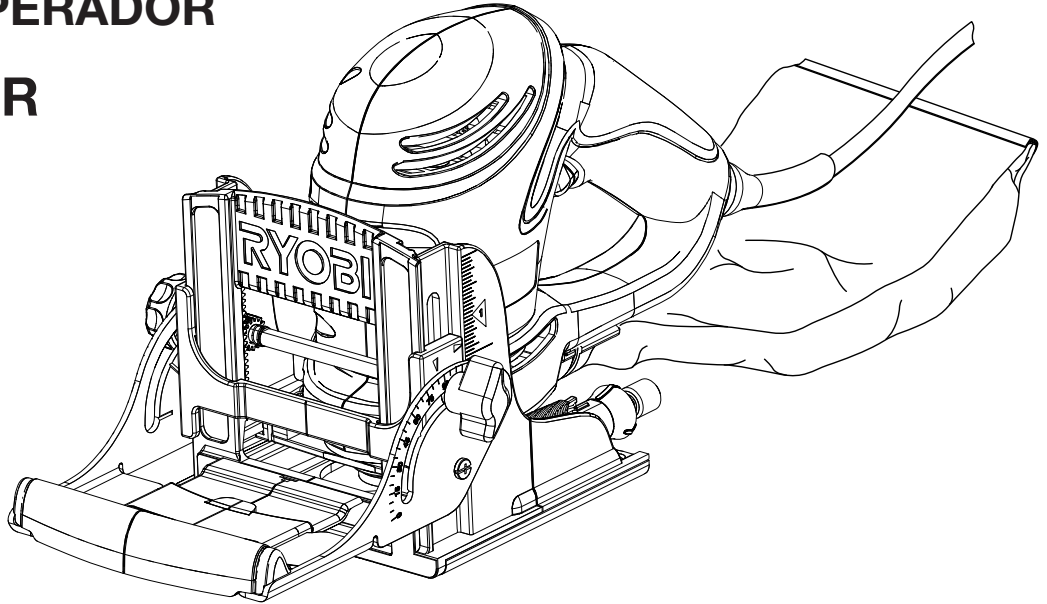


TABLE OF CONTENTS

- General Safety Rules.....2-3
- Specific Safety Rules 3
- Symbols..... 4
- Electrical..... 5
- Features..... 6
- Assembly..... 7
- Operation.....7-12
- Maintenance..... 13-14
- Accessories..... 15
- Troubleshooting 16
- Figures (Illustrations) 17-21
- Parts Ordering and ServiceBack page

TABLE DES MATIÈRES

- Règles de sécurité générales2-3
- Règles de sécurité particulières 3
- Symboles..... 4
- Caractéristiques électriques..... 5
- Caractéristiques 6
- Assemblage..... 7
- Utilisation7-12
- Entretien 13-14
- Accessoires..... 15
- Résolution des problèmes..... 16
- Figures (illustrations)..... 17-21
- Commande de pièces et dépannage Page arrière

ÍNDICE DE CONTENIDO

- Reglas de seguridad generales 2-3
- Reglas de seguridad específicas.....3
- Símbolos..... 4
- Aspectos eléctricos 5
- Características..... 6
- Armado 7
- Funcionamiento 7-12
- Mantenimiento..... 13-14
- Accesorios..... 15
- Corrección de problemas..... 16
- Figuras (ilustraciones) 17-21
- Pedidos de piezas y servicio..... Pág. posterior

⚠ WARNING: To reduce the risk of injury, the user must read and understand the operator's manual before using this product.

⚠ AVERTISSEMENT : Pour réduire les risques de blessures, l'utilisateur doit lire et veiller à bien comprendre le manuel d'utilisation avant d'employer ce produit.

⚠ ADVERTENCIA: Para reducir el riesgo de lesiones, el usuario debe leer y comprender el manual del operador antes de usar este producto.

SAVE THIS MANUAL FOR FUTURE REFERENCE

CONSERVER CE MANUEL POUR FUTURE RÉFÉRENCE

GUARDE ESTE MANUAL PARA FUTURAS CONSULTAS

GENERAL SAFETY RULES



WARNING:


Read and understand all instructions. Failure to follow all instructions listed below, may result in electric shock, fire and/or serious personal injury.

SAVE THESE INSTRUCTIONS

WORK AREA

- **Keep your work area clean and well lit.** Cluttered benches and dark areas invite accidents.
- **Do not operate power tools in explosive atmospheres, such as in the presence of flammable liquids, gases, or dust.** Power tools create sparks which may ignite the dust or fumes.
- **Keep bystanders, children, and visitors away while operating a power tool.** Distractions can cause you to lose control.

ELECTRICAL SAFETY

- **Double insulated tools are equipped with a polarized plug (one blade is wider than the other). This plug will fit in a polarized outlet only one way. If the plug does not fit fully in the outlet, reverse the plug. If it still does not fit, contact a qualified electrician to install a polarized outlet. Do not change the plug in any way.** Double insulation  eliminates the need for the three-wire grounded power cord and grounded power supply system.
- **Avoid body contact with grounded surfaces such as pipes, radiators, ranges, and refrigerators.** There is an increased risk of electric shock if your body is grounded.
- **Don't expose power tools to rain or wet conditions.** Water entering a power tool will increase the risk of electric shock.
- **Do not abuse the cord. Never use the cord to carry the tools or pull the plug from an outlet. Keep cord away from heat, oil, sharp edges, or moving parts. Replace damaged cords immediately.** Damaged cords increase the risk of electric shock.
- **When operating a power tool outside, use an outdoor extension cord marked "W-A" or "W".** These cords are rated for outdoor use and reduce the risk of electric shock.

PERSONAL SAFETY

- **Stay alert, watch what you are doing and use common sense when operating a power tool. Do not use tool while tired or under the influence of drugs, alcohol, or medication.** A moment of inattention while operating power tools may result in serious personal injury.
- **Dress properly. Do not wear loose clothing or jewelry. Contain long hair. Keep your hair, clothing, and gloves away from moving parts.** Loose clothes, jewelry, or long hair can be caught in moving parts.

- **Avoid accidental starting. Be sure switch is off before plugging in.** Carrying tools with your finger on the switch or plugging in tools that have the switch on invites accidents.
- **Remove adjusting keys or wrenches before turning the tool on.** A wrench or a key that is left attached to a rotating part of the tool may result in personal injury.
- **Do not overreach. Keep proper footing and balance at all times.** Proper footing and balance enables better control of the tool in unexpected situations.
- **Use safety equipment. Always wear eye protection.** Dust mask, nonskid safety shoes, hard hat, or hearing protection must be used for appropriate conditions.
- **Do not wear loose clothing or jewelry. Contain long hair.** Loose clothes, jewelry, or long hair can be drawn into air vents.
- **Do not use on a ladder or unstable support.** Stable footing on a solid surface enables better control of the tool in unexpected situations.

TOOL USE AND CARE

- **Use clamps or other practical way to secure and support the workpiece to a stable platform.** Holding the work by hand or against your body is unstable and may lead to loss of control.
- **Do not force tool. Use the correct tool for your application.** The correct tool will do the job better and safer at the rate for which it is designed.
- **Do not use tool if switch does not turn it on or off.** Any tool that cannot be controlled with the switch is dangerous and must be repaired.
- **Disconnect the plug from power source before making any adjustments, changing accessories, or storing the tool.** Such preventive safety measures reduce the risk of starting the tool accidentally.
- **Store idle tools out of the reach of children and other untrained persons.** Tools are dangerous in the hands of untrained users.
- **Maintain tools with care. Keep cutting tools sharp and clean.** Properly maintained tools with sharp cutting edges are less likely to bind and are easier to control.
- **Check for misalignment or binding of moving parts, breakage of parts, and any other condition that may affect the tool's operation. If damaged, have the tool serviced before using.** Many accidents are caused by poorly maintained tools.
- **Use only accessories that are recommended by the manufacturer for your model.** Accessories that may be suitable for one tool, may become hazardous when used on another tool.
- **Keep the tool and its handle dry, clean and free from oil and grease.** Always use a clean cloth when cleaning. Never use brake fluids, gasoline, petroleum-based products, or any strong solvents to clean your tool.

GENERAL SAFETY RULES

Following this rule will reduce the risk of loss of control and deterioration of the enclosure plastic.

SERVICE

- **Tool service must be performed only by qualified repair personnel.** Service or maintenance performed by unqualified personnel may result in a risk of injury.

- **When servicing a tool, use only identical replacement parts. Follow instructions in the Maintenance section of this manual.** Use of unauthorized parts or failure to follow Maintenance Instructions may create a risk of shock or injury.

SPECIFIC SAFETY RULES




- **Hold tool by insulated gripping surfaces when performing an operation where the cutting tool may contact hidden wiring or its own cord.** Contact with a “live” wire will make exposed metal parts of the cutting tool “live” and shock the operator.
- **Know your power tool. Read operator’s manual carefully. Learn its applications and limitations, as well as the specific potential hazards related to this tool.** Following this rule will reduce the risk of electric shock, fire, or serious injury.
- **Always wear eye protection with side shields marked to comply with ANSI Z87.1.** Following this rule will reduce the risk of serious personal injury.
- **Protect your lungs. Wear a face or dust mask if the operation is dusty.** Following this rule will reduce the risk of serious personal injury.
- **Protect your hearing. Wear hearing protection during extended periods of operation.** Following this rule will reduce the risk of serious personal injury.
- **Inspect tool cords periodically and, if damaged, have repaired at your nearest Authorized Service Center. Constantly stay aware of cord location.** Following this rule will reduce the risk of electric shock or fire.
- **Check damaged parts. Before further use of the tool, a guard or other part that is damaged should**

be carefully checked to determine that it will operate properly and perform its intended function. Check for alignment of moving parts, binding of moving parts, breakage of parts, mounting, and any other conditions that may affect its operation. A guard or other part that is damaged should be properly repaired or replaced by an authorized service center. Following this rule will reduce the risk of shock, fire, or serious injury.






- **Make sure your extension cord is in good condition. When using an extension cord, be sure to use one heavy enough to carry the current your product will draw. A wire gauge size (A.W.G.) of at least 14 is recommended for an extension cord 50 feet or less in length. A cord exceeding 100 feet is not recommended. If in doubt, use the next heavier gauge. The smaller the gauge number, the heavier the cord.** An undersized cord will cause a drop in line voltage resulting in loss of power and overheating.
- **Inspect for and remove all nails from lumber before using this tool.** Following this rule will reduce the risk of serious personal injury.
- **Save these instructions.** Refer to them frequently and use them to instruct others who may use this tool. If you loan someone this tool, loan them these instructions also.

SYMBOLS

The following signal words and meanings are intended to explain the levels of risk associated with this product.

SYMBOL	SIGNAL	MEANING
	DANGER:	Indicates an imminently hazardous situation, which, if not avoided, will result in death or serious injury.
	WARNING:	Indicates a potentially hazardous situation, which, if not avoided, could result in death or serious injury.
	CAUTION:	Indicates a potentially hazardous situation, which, if not avoided, may result in minor or moderate injury.
	NOTICE:	(Without Safety Alert Symbol) Indicates important information not related to an injury hazard, such as a situation that may result in property damage.

Some of the following symbols may be used on this product. Please study them and learn their meaning. Proper interpretation of these symbols will allow you to operate the product better and safer.

SYMBOL	NAME	DESIGNATION/EXPLANATION
	Safety Alert	Indicates a potential personal injury hazard.
	Read Operator's Manual	To reduce the risk of injury, user must read and understand operator's manual before using this product.
	Wear Eye Protection	Always wear eye protection with side shields marked to comply with ANSI Z87.1.
	Wet Conditions Alert	Do not expose to rain or use in damp locations.
V	Volts	Voltage
A	Amperes	Current
Hz	Hertz	Frequency (cycles per second)
min	Minutes	Time
~	Alternating Current	Type of current
n_0	No Load Speed	Rotational speed, at no load
	Class II Construction	Double-insulated construction
.../min	Per Minute	Revolutions, strokes, surface speed, orbits etc., per minute

ELECTRICAL

DOUBLE INSULATION

Double insulation is a concept in safety in electric power tools, which eliminates the need for the usual three-wire grounded power cord. All exposed metal parts are isolated from the internal metal motor components with protecting insulation. Double insulated tools do not need to be grounded.

WARNING:

The double insulated system is intended to protect the user from shock resulting from a break in the product's internal insulation. Observe all normal safety precautions to avoid electrical shock.

NOTE: Servicing of a product with double insulation requires extreme care and knowledge of the system and should be performed only by a qualified service technician. For service, we suggest you return the product to your nearest authorized service center for repair. Always use original factory replacement parts when servicing.

ELECTRICAL CONNECTION

This product has a precision-built electric motor. It should be connected to a **power supply that is 120 volts, AC only (normal household current), 60 Hz.** Do not operate this product on direct current (DC). A substantial voltage drop will cause a loss of power and the motor will overheat. If the product does not operate when plugged into an outlet, double-check the power supply.

EXTENSION CORDS

When using a power tool at a considerable distance from a power source, be sure to use an extension cord that has the capacity to handle the current the tool will draw. An undersized cord will cause a drop in line voltage, resulting in overheating and loss of power. Use the chart to determine the minimum wire size required in an extension cord. Only round jacketed cords listed by Underwriter's Laboratories (UL) should be used.

When working outdoors with a product, use an extension cord that is designed for outside use. This type of cord is designated with "W-A" or "W" on the cord's jacket.

Before using any extension cord, inspect it for loose or exposed wires and cut or worn insulation.

**Ampere rating (on product data plate)

	0-2.0	2.1-3.4	3.5-5.0	5.1-7.0	7.1-12.0	12.1-16.0
Cord Length	Wire Size (A.W.G.)					
25'	16	16	16	16	14	14
50'	16	16	16	14	14	12
100'	16	16	14	12	10	—

**Used on 12 gauge - 20 amp circuit.

NOTE: AWG = American Wire Gauge

WARNING:

Keep the extension cord clear of the working area. Position the cord so that it will not get caught on lumber, tools, or other obstructions while you are working with a power tool. Failure to do so can result in serious personal injury.

WARNING:

Check extension cords before each use. If damaged replace immediately. Never use product with a damaged cord since touching the damaged area could cause electrical shock resulting in serious injury.

FEATURES

PRODUCT SPECIFICATIONS

Fence Angle Adjustments 0-135°
Depth of Cut 0-9/16 in.
Cord Length 10 ft.
Blade 4 in.

No Load Speed 10,000/min.
Input 120 V, 60 Hz, AC only, 6.0 Amps
Net Weight 8.4 lbs.

KNOW YOUR BISCUIT JOINER

See Figure 1, page 17.

The safe use of this product requires an understanding of the information on the tool and in this operator's manual as well as a knowledge of the project you are attempting. Before use of this product, familiarize yourself with all operating features and safety rules.

ADJUSTABLE FENCE

The biscuit joiner has an adjustable fence for setting the angle from 0° to 135°, with positive stop settings in increments of 45°. The height of the fence can be set between 0 in. - 2 in. The adjustable fence should always be used to guide and balance the biscuit joiner, providing ease of operation and maintaining control.

ANGLE SETTING SCALE

The adjustable fence on the biscuit joiner can be set at angles from 0° to 135°.

BISCUITS

Biscuits swell rapidly upon contact with water-based wood-working glues. They are available in three standard sizes:

- #0 (5/8 in. x 1-13/16 in.)
- #10 (13/16 in. x 2-1/16 in.)
- #20 (15/16 in. x 2-5/16 in.)

This biscuit joiner is packaged with 20 #10 biscuits.

CARBIDE-TIPPED BLADE

The biscuit joiner has an 8-tooth carbide-tipped blade for cutting biscuit slots.

DEPTH ADJUSTMENT KNOB

A spring-loaded depth adjustment knob makes it possible to make proper settings for three standard size biscuits.

DUAL GRIP HANDLE

The dual grip handle offers a choice of two grip positions for operator comfort.

DUST COLLECTION

Wood particles are drawn up through a tunnel in the base and collect in the dust bag during cutting operations. The dust bag can be removed and a 1-1/4 in. vacuum can be attached to the dust port.

HEIGHT ADJUSTMENT KNOB

The height adjustment knob moves the adjustable fence up or down to adjust the height of the fence from the center of the blade.

HEIGHT SETTING SCALE

A scale on each side of the fence indicates the height of the fence from the center of the blade.

LINE OF CUT INDICATOR

Centerline and cut indicator marks help the operator make more accurate cuts.

LOCKING KNOB

The locking knob loosens the adjustable fence and allows movement of the height adjustment knob.

NON-SKID SURFACE

The fence on the biscuit joiner has a non-skid surface to help prevent misalignment caused by skidding during use. It also prevents marring of the workpiece when making cuts.

SWITCH TRIGGER

The biscuit joiner has a conveniently located ON/OFF switch trigger on the underside of the dual grip handle.

ASSEMBLY

WARNING:

Do not use this product if it is not completely assembled or if any parts appear to be missing or damaged. Use of a product that is not properly and completely assembled or with damaged or missing parts could result in serious personal injury.

WARNING:

Do not attempt to modify this product or create accessories or attachments not recommended for use with this product. Any such alteration or modification is misuse and could result in a hazardous condition leading to possible serious personal injury.

If any parts are damaged or missing, please call 1-800-525-2579 for assistance.

CALIFORNIA PROPOSITION 65

WARNING:

This product and some dust created by power sanding, sawing, grinding, drilling, and other construction activities may contain chemicals, including lead, known to the State of California to cause cancer, birth defects, or other reproductive harm. Wash hands after handling.

Some examples of these chemicals are:

- lead from lead-based paints,
- crystalline silica from bricks and cement and other masonry products and,
- arsenic and chromium from chemically treated lumber.

Your risk from exposure to these chemicals varies, depending on how often you do this type of work. To reduce your exposure, work in a well-ventilated area and with approved safety equipment, such as dust masks that are specially designed to filter out microscopic particles.

OPERATION

WARNING:

Do not allow familiarity with tools to make you careless. Remember that a careless fraction of a second is sufficient to inflict serious injury.

WARNING:

Always wear eye protection with side shields marked to comply with ANSI Z87.1. Failure to do so could result in objects being thrown into your eyes, resulting in possible serious injury.

APPLICATIONS

You may use this tool for the purposes listed below:

- Cutting precise mating oval slots in hard wood, soft wood, plywood and particle board

INSTALLING/REMOVING THE DUST BAG

See Figure 2, page 17.

The dust bag located on the rear of the biscuit joiner provides a dust collection system. Wood particles are drawn up through the base and collect in the dust bag during cutting operations. For more efficient operation, empty the dust bag when half full.

To install, unplug the biscuit joiner and slide the dust bag adaptor onto the dust port. To remove the dust bag, grasp the adaptor and pull the dust bag away from the biscuit joiner.

ATTACHING THE BISCUIT JOINER TO A VACUUM

See Figure 3, page 17.

The dust bag can be removed and a 1-1/4 in. vacuum can be attached to the dust port.

- Unplug the biscuit joiner.
- Remove the dust bag.
- Attach a vacuum hose to the dust port.
- Connect the biscuit joiner and the vacuum to a power supply.

OPERATION

WARNING:

When the tool is not connected to vacuum, always re-install the dust bag back onto the tool. Failure to do so could cause dust or foreign objects to be thrown into your face or eyes which could result in possible serious injury.

SPLINE JOINERY

Spline joinery is one of the strongest methods of joinery used in woodworking. When glue is properly applied to a spline and to the joint area of the wood pieces being connected, a large surface area receives the adhesion properties of the glue. This forms a strong joint.

Traditional spline joinery requires cutting slots with a router or table saw. Small, thin strips of wood must then be cut to fit inside the slots and act as splines.

Newer methods of spline joinery use a plate or biscuit joiner to cut precise mating oval slots in adjoining boards. This biscuit joiner is a fast, simple, and accurate plunge-cutting tool that can be used to cut slots in hardwood, softwood, plywood, particle board, and other pressed woods.

Football shaped wafers, called biscuits, are then placed inside the slots with glue and used to help line up adjoining surfaces. When a water based glue is used, the biscuits swell in the joint, making an extremely strong and firm bond. White glue, yellow glue, carpenters glue, hide glue and aliphatic resin glue are examples of water-based glues. This bonding technique has traditionally been limited to making edge-to-edge joints. However, with the use of your new biscuit joiner, biscuits can now be easily used to connect butt, miter, and T-joints. Biscuit joining can be as strong as mortise and tenon, tongue and groove, standard spline, and doweled joints. In most cases the material around the biscuit will break before the biscuit itself will break. A greater surface area is exposed to glue in a biscuit joint, making the seams stronger.

A variety of spline joints can be made using the biscuit joiner. The number and size biscuits needed for each joint depends on the thickness of the wood and the length of the joint. In general, the small #0 biscuits should be used for miter cuts in 3/4 in. materials. The larger biscuits should be used for edge-to-edge joinery.

When joining 1-1/2 in. thick materials, stack two biscuits, one above the other. For example, use this method when joining 2 in. x 4 in. dressed lumber. When joining even thicker materials, use additional biscuits, stacked above each other.

When making edge-to-edge joints for tabletops, workbenches, cutting boards, etc. the more biscuits you use, the stronger the joint will be.

TURNING ON/OFF THE BISCUIT JOINER

See Figure 4, page 17.

To turn on the biscuit joiner, depress the switch trigger. Release the switch trigger to turn the biscuit joiner off.

When operating the biscuit joiner, hold the tool with both hands. Keep one hand on the rear handle and place your other hand on the fence to hold the tool steady against the workpiece.

This tool has a dual grip rear handle that allows the operator to choose from two different hand positions and use the one that is more comfortable.

DEPTH OF CUT

The biscuit joiner can be adjusted to three standard cutting depths to accommodate three standard size biscuits — #0, #10, and #20. Adjustments are made by engaging slots on the depth adjustment knob with tabs on the rear base assembly. For example, when using a #0 size biscuit, rotate the depth adjustment knob to the slot marked 0. When using a #10 size biscuit, rotate the depth adjustment knob to the slot marked 10, and when using a #20 size biscuit rotate the depth adjustment knob to the slot marked 20.

SETTING DEPTH OF CUT

See Figure 5, page 17.

- Unplug the biscuit joiner.
- Select the correct depth of cut setting for the biscuit size you plan to use. To select depth of cut, pull the knurled adjustment knob and jam nut in the direction of the arrow in figure 5.
NOTE: The knob and jam nut are spring loaded. Pulling them in the direction of the arrow puts pressure on the spring and releases pressure from the depth adjustment knob.
- Rotate the depth adjustment knob until the desired slot setting aligns with the tabs on the rear base assembly.

MAKING FINE ADJUSTMENTS

See Figure 6, page 18.

Make a test cut in a scrap piece of wood. Fit the correct size biscuit into the biscuit slot. The biscuit slot should be deep enough to allow slightly more than one-half of the biscuit into the slot. This extra room allows for proper alignment of the wood being joined.

If the biscuit slot is too deep or too shallow, fine adjustments to the depth setting can be made by loosening the knurled adjustment knob and making fine adjustments with the jam nut.

OPERATION

- Unplug the biscuit joiner.
- Loosen the knurled adjustment knob. This knob is used as a lock nut only. Loosen by twisting it in the opposite direction away from the jam nut.
- Rotate the jam nut to the right for a more shallow cut, or to the left for a deeper cut.
- Once desired depth of cut is reached, hold the jam nut so that it will not move out of adjustment. Next, tighten the knurled adjustment knob against jam nut.
- Recheck the depth setting by making a test cut in a scrap piece of wood. Also periodically check the depth setting for accuracy. Rotating the jam nut to the right will cut shallow biscuit slots. Rotating the jam nut to the left will cut deeper biscuit slots.

FENCE HEIGHT

The adjustable fence on the biscuit joiner can be moved up or down to adjust the position of the blade in relation to the top of the workpiece. A scale on each side of the fence indicates the height of the fence from the center of the blade. The fence can be positioned up to two inches from the center of the blade. However, the scale and indicator point can only be set up to 2 in. from the center of the blade. Scale marks are in increments of 1/16 in.

SETTING THE FENCE HEIGHT

See Figure 7, page 18.

- Unplug the biscuit joiner.
- Loosen the locking knob approximately one turn.
- Move the fence up or down by rotating the height adjustment knob until the indicator point is aligned with the desired dimension on the scale.
- Tighten the locking knob securely.

FENCE ANGLE

The adjustable fence on the biscuit joiner can be set at angles ranging from 0° to 135°, with accurate positive stops set in 45° increments. A scale is located on each side of the adjustable fence for identifying these positive stop angles. Each stop reached when rotating the adjustable fence from one angle setting to another equals a 45° positive stop angle change.

SETTING THE FENCE ANGLE

See Figure 8, page 18.

- Unplug the biscuit joiner.
- Loosen the locking knob approximately one turn.
- Rotate the fence to the desired angle.
- Tighten the locking knob securely.

MAKING EDGE-TO-EDGE JOINTS

See Figures 9 - 10, page 18.

Edge-to-edge joinery is one of the most basic and easily-constructed joints.

- Unplug the biscuit joiner.
- Prepare the workpieces by laying them side by side on a workbench in the order in which they will be assembled.
- Using a square, determine the location of each biscuit spline joint and mark the center of each joint by drawing a line across each workpiece.
NOTE: Mark the edges 2 in. from the ends of the workpieces. The joint will be stronger if you use multiple biscuits placed close together.
- Loosen the locking knob approximately one turn and set the fence angle at 90°.
- Set the fence height at the desired dimension on the scale by rotating the height adjustment knob.
NOTE: The scale indicates the height of the fence from the center of the blade.
- Tighten the locking knob securely.
- Select the correct depth of cut setting to match the biscuit size you are planning to use. Make a test cut in a scrap piece of wood from the same workpiece if possible.
- Clamp the workpiece securely so that it will not move during the cut.
- Plug the biscuit joiner into the power supply and prepare to make the first cut. Grasp and hold the biscuit joiner securely with both hands.
- Place the fence against the board and align the indicator marks on the fence with the centerline mark(s) on the board.
- Depress the switch trigger to turn on the biscuit joiner. Allow the blade to reach full speed, then push it forward to extend the blade into the wood.
- When the base assembly bottoms out against the depth of cut adjustment knob setting, pull back, releasing pressure on the spring. The blade will retract from the biscuit slot.
- Repeat this procedure for all desired biscuit slots.
- Once all biscuit slots have been cut, place a biscuit in each joint and dry-assemble the workpiece. Make sure each joint lines up and fits.
- Finally, disassemble the workpieces and place a bead of glue in each slot. Also, spread a bead of glue over the entire surface of the joint. Reinsert the biscuits and assemble the workpieces.
- Clamp workpieces together until the glue sets up.

OPERATION

BUTT JOINTS

A butt joint is made by mating the end grain of one board with the edge grain of another. The bonding of glue on this type of surface is poor. However, by using biscuits you can create a strong joint that gives a mortise-and-tenon effect.

MAKING BUTT JOINTS

See Figures 11 - 12, pages 18 - 19.

- Unplug the biscuit joiner.
- Place the two pieces of wood to be joined on a level workbench. Align them against each other in the arrangement in which they will be assembled.
- Using a square, determine the location of each biscuit spline joint and mark the center of each joint by drawing a line across the edges of the two boards.
- Loosen the locking knob and set the fence angle at 90°.
- Set the fence height at the desired dimension on the scale by rotating the height adjustment knob.

NOTE: The scale indicates the height of the fence from the center of the blade.

- Tighten the locking knob securely.
- Select the correct depth of cut setting to match the biscuit size you are planning to use. Make a test cut in a scrap piece of wood from the same workpiece if possible.
- Clamp the workpiece securely so that it will not move during the cut.
- Plug the biscuit joiner into a power supply and prepare to make your first cut. Grasp and hold the biscuit joiner securely with both hands.
- Place the fence against the board and align the indicator marks on the fence with the centerline mark(s) on the board.
- Depress the switch trigger to turn on the biscuit joiner, then push it forward to extend the blade into the wood.
- When the base assembly bottoms out against the depth of cut adjustment knob setting, pull back to release pressure on the spring. The blade will retract from the biscuit slot.
- Repeat this procedure for cutting the slot in the mating workpiece.
- Once all biscuit slots have been cut, place a biscuit in each joint and dry-assemble the workpieces. Make sure each joint lines up and fits.
- Finally, disassemble the workpieces and place a bead of glue in each slot. Also, spread a bead of glue over the entire surface of the joint. Reinsert the biscuits and assemble the workpieces as shown in figure 10.
- Clamp the workpieces together until the glue sets up.

OFFSET BUTT JOINTS

See Figure 12, page 19.

The rails of a table or workbench are often offset from the front of the table legs. When offsets are required, it is necessary to cut the slots in the rails first, then readjust the fence to cut the slots in the legs.

Keeping this one exception in mind, the procedure for cutting offset butt joints is identical to the procedure for cutting butt joints.

For example, if a 1/4 in. offset is desired, you would mark the centerlines for cutting a butt joint as mentioned in the procedures for cutting butt joints, and cut the slots in the ends of the rails. Next you would raise the fence 1/4 in. to the desired offset and cut the slots in the legs.

T- JOINTS

See Figure 13, page 19.

A T-joint is used when the end of a board is joined to the face of another board as shown in figure 12. Attaching shelves to bookcases and inner support braces to frames are typical applications. Actual cutting of a T-joint is as simple as any other cut. However, it is critical that you mark the centerlines, mark the intersection points for each slot, and cut each slot correctly.

MAKING T- JOINTS

See Figures 14 - 15, page 19.

- Unplug the biscuit joiner.
 - Place the two pieces of wood to be joined on a level workbench. The inside face of the vertical board should be facing up.
 - Determine the location of each biscuit joint and mark the centerlines on each board. The centerlines for both boards must line up with each other. Measure carefully; these measurements must be accurate and precise.
- NOTE:** Measure twice and cut once. In addition to the centerlines lining up, the spacing of the biscuit slots from side-to-side must also match.
- Plug the biscuit joiner into the power supply, grasp and hold the biscuit joiner securely with both hands, and cut slots in all boards that require end slots.

Follow the procedures explained in **Edge-To-Edge Joints**.

- Set the fence angle at 90°
- Set the fence height at the desired dimension on the scale.
- Select the correct depth of cut setting for the biscuit size you plan to use.
- Clamp the workpiece securely, then cut each slot at the marked centerline intersection.

Next, you must adjust the fence on the biscuit joiner in order to cut slots into the face of the vertical board.

OPERATION

CUTTING VERTICAL BOARDS

See Figures 16 - 17, page 19.

- Unplug the biscuit joiner.
- Loosen the locking knob and set the fence angle at 0°.
- Set the fence height at the highest setting (2 in.) by rotating the height adjustment knob.
- Retighten the locking knob.
- Select the correct depth of cut setting for the biscuit size you plan to use.
- Clamp the workpiece securely.
- Place the biscuit joiner on a vertical board and align the indicator marks on the base assembly with the centerline on the vertical board.
- Place a straight piece of wood on the vertical board and securely clamp both boards flush against the base assembly. This piece of wood is used for a fence or guide. It must be square with the sides of the vertical board and parallel with the centerline.
- Align the centerline on the bottom of the base assembly with marked intersection for biscuit slot.
- Plug the biscuit joiner into the power supply, grasp and hold the biscuit joiner securely with both hands, and prepare to cut the slot.
- Depress the switch trigger to turn on the biscuit joiner, then push it down to extend the blade into the wood.
- When the base assembly bottoms out against the depth of cut adjustment knob setting, pull back, releasing pressure on the spring. The blade will retract from the biscuit slot.
- Repeat this procedure for cutting all required slots in vertical boards.
- Once all slots have been cut, place a biscuit in each joint and dry-assemble the workpieces. Make sure each joint lines up and fits.
- Finally, disassemble the workpieces and place a bead of glue in each slot. Also, spread a bead of glue over the entire surface of the joint. Reinsert the biscuits and assemble the workpieces.
- Clamp the workpieces together until the glue sets up.

MITER JOINTS

See Figures 18 - 21, pages 19 - 20.

There are two types of miter joints that can be made using biscuits: flat miters and edge miters. Flat miters are used when making picture frames. Edge miters are used when making boxes or things where you don't want to show the end grain of the wood.

MAKING FLAT MITER JOINTS

See Figure 18, page 19.

- Unplug the biscuit joiner.
- Place the pieces of wood to be joined on a level workbench.
- Using a combination square, draw a line through the center of each joint perpendicular to the mitered edges.
- Set the fence angle at 90°, set the fence height at the desired dimension on the scale, select the correct depth of cut setting for the biscuit size you plan to use, and clamp the workpiece securely.
- Align the indicator mark on the fence with the centerline on the workpiece.
- Plug the biscuit joiner into the power supply, grasp and hold the biscuit joiner securely with both hands, and prepare to cut the slot.
- Depress the switch trigger to turn on the biscuit joiner, then push it forward to extend the blade into the wood.
- When the base assembly bottoms out against the depth of cut adjustment knob setting, pull back, releasing pressure on the spring. The blade will retract from the biscuit slot.
- Repeat this procedure for cutting the mating slot and all required miter joint slots.
- Once all slots have been cut, place a biscuit in each joint and dry assemble the workpieces. Make sure each joint lines up and fits.
- Finally, disassemble the workpieces and place a bead of glue in each slot. Also, spread a bead of glue over the entire surface of the joint. Reinsert the biscuits and assemble the workpieces.
- Clamp the workpieces together until the glue sets up.

MAKING EDGE MITER JOINTS

See Figures 19 - 21, page 20.

- Unplug the biscuit joiner.
- Place the pieces of wood to be joined on a level workbench.
- Mark the centerline of the joint on each board.
- When making edge miter joints with workpieces that have different thicknesses, clamp the pieces securely to a workbench with the long sides up. This will assure that the outside surfaces will match.
- Loosen the locking knob and set the fence angle at 135°.
- Set the fence height at the desired dimension on the scale by rotating the height adjustment knob.
- Tighten the locking knob securely.

OPERATION

- Place the biscuit joiner on the workpiece with the adjustable fence resting on the long side of workpiece. The base or vertical fence should be against the mitered edge of the workpiece.
- Recheck the fence height setting to make sure it will not cut through the workpiece.
- Align the indicator mark on the fence with the centerline on the workpiece. Make sure the base or vertical fence is pressed flat against the mitered edge of the workpiece.
- Plug the biscuit joiner into the power supply, grasp and hold the biscuit joiner securely with both hands, and prepare to cut the slot.
- Depress the switch trigger to turn on the biscuit joiner, then push it forward to extend the blade into the wood.
- When the base assembly bottoms out against the depth of cut adjustment knob setting, pull back, releasing pressure on the spring. The blade will retract from the biscuit slot.
- Repeat this procedure for cutting the mating slot and all required miter joint slots.
- Once all slots have been cut, place a biscuit in each joint and dry-assemble the workpieces. Make sure each joint lines up and fits.
- Finally, disassemble workpieces and place a bead of glue in each slot. Also, spread a bead of glue over the entire surface of the joint. Reinsert the biscuits and assemble workpieces.
- Clamp workpieces together until the glue sets up.
If the workpieces are of the same thickness, clamp them securely to a workbench with the short sides up. Set the fence angle at 45°. Place the biscuit joiner on the workpiece with the adjustable fence resting on the short side of the workpiece and the base or vertical fence against the mitered edge of the workpiece. Follow steps above to cut required slots.

NOTE: Before cutting slots, make sure the blade will not cut through the workpiece and that both the vertical and horizontal fences are pressed flat against the mitered edge and face of the workpiece.

MAINTENANCE

WARNING:

When servicing, use only identical replacement parts. Use of any other parts could create a hazard or cause product damage.

WARNING:

Always wear eye protection with side shields marked to comply with ANSI Z87.1. Failure to do so could result in objects being thrown into your eyes, resulting in possible serious injury.

GENERAL MAINTENANCE

Avoid using solvents when cleaning plastic parts. Most plastics are susceptible to damage from various types of commercial solvents and may be damaged by their use. Use clean cloths to remove dirt, dust, oil, grease, etc.

WARNING:

Do not at any time let brake fluids, gasoline, petroleum-based products, penetrating oils, etc., come in contact with plastic parts. Chemicals can damage, weaken or destroy plastic which could result in serious personal injury.

Electric tools used on fiberglass material, wallboard, spackling compounds, or plaster are subject to accelerated wear and possible premature failure because the fiberglass chips and grindings are highly abrasive to bearings, brushes, commutators, etc. Consequently, we do not recommend using this tool for extended work on these types of materials. However, if you do work with any of these materials, it is extremely important to clean the tool using compressed air.

LUBRICATION

All of the bearings in this tool are lubricated with a sufficient amount of high grade lubricant for the life of the unit under normal operating conditions. Therefore, no further lubrication is required.

POWER SUPPLY CORD REPLACEMENT

If replacement of the power supply cord is necessary, this must be done by an authorized service center in order to avoid a safety hazard.

REPLACING THE BLADE

See Figures 22 - 24, page 20.

After extended use, the blade on your biscuit joiner may become dull and need replacing. If you accidentally hit a nail or other blunt object, it will break the carbide tips, which will require replacing the blade.

- Unplug the biscuit joiner.
- Remove the dust bag.
- Place the biscuit joiner upside down on a workbench.
- With a screwdriver, remove the four screws and washers that connect the shoe to the front and rear assemblies. Remove the shoe.
- Place a screwdriver in the hole provided in the bearing plate.
- Place one of the non-cutting teeth located behind each carbide-tipped cutting tooth against the screwdriver or pin and lock the blade to prevent it from rotating. **DO NOT** lock the blade against one of the cutting teeth. Carbide tips will break.
- Using a 3/16 in. hex key, remove the blade screw.
NOTE: Turn the blade screw counterclockwise to remove the screw.
- Remove the outer blade washer, blade and inner blade washer.
- Clean wood particles and resin from the blade washers, dust bag area, base assembly, and all surrounding parts.
- Place the inner blade washer on the gear spindle.
- Place the new blade onto the shoulder of the blade washer and secure with the outer blade washer and the blade screw.
NOTE: The blade screw fits into the cupped side of the outer blade washer.
NOTE: The blade teeth point toward the right of the tool when held in normal operating position. The direction of rotation is marked on the joiner blade. An arrow on the bottom of the front base assembly also indicates direction of rotation.
- Place a screwdriver or pin in one of the two holes provided in the bearing plate and lock the blade to prevent it from rotating.
- Turn the blade screw clockwise and tighten securely with the hex key.
- Replace the shoe.
- Replace the washers and screws and tighten securely with a screwdriver.
- Replace the dust bag.

MAINTENANCE

CLEANING THE BASE ASSEMBLY AND DUST PATH

See Figures 25 - 27, pages 20 - 21.

After extended use, wood particles and resin may build up inside the base assembly of your biscuit joiner and clog the path for wood particles going into dust bag. Wood particles packing up in this area not only defeats the dustless feature of your biscuit joiner, it also makes cutting biscuit slots more difficult.

- Unplug the biscuit joiner.
- Remove the dust bag.
- Place the biscuit joiner upside down on a workbench.
- Using a screwdriver, remove the four screws and washers securing the shoe. Remove the shoe.
- Remove the blade. See **Replacing the Blade**.
- With the blade removed, place the biscuit joiner right side up. Using a pair of needle nose pliers, stretch and release the springs from the tabs on the bearing plate.
- Using a screwdriver, remove the two screws that connect the front and rear base assemblies.
- Carefully separate the front base assembly from the rear base assembly. Remove the front base assembly.

NOTE: These pieces are tightly joined. It may be helpful to use a mallet to lightly tap the area where the assemblies meet.

- Remove the rear base assembly.
- With the assemblies separated, clean wood particles and resin from the blade area, dust bag port, front and rear assemblies and all surrounding areas.
- Apply a thin coat of general purpose grease in slots or tracks on the bearing plate where the base slides.
- Replace the rear base assembly.
- Replace the front base assembly. Replace and tighten the screws that connect the front and rear base assemblies.
- Replace the springs.
- Reinstall or replace the blade.
- Secure the shoe with the washers and screws.
- Replace the dust bag.

CLEANING THE DUST BAG

See Figure 28, page 21.

- Unplug the biscuit joiner.
- Remove the dust bag.
- Slide the clip off the end of the dust bag.
- Thoroughly clean the dust bag by shaking out all debris.
- Replace the clip.
- Replace the dust bag.

ACCESSORIES

The following recommended accessories are currently available at retail stores:

- Biscuits 100 pieces Size 0
- Biscuits 100 pieces Size 10
- Biscuits 100 pieces Size 20
- Biscuit Assortment 400 pieces total
 - Size 0 100 pieces
 - Size 10 100 pieces
 - Size 20 200 pieces



WARNING:

Current attachments and accessories available for use with this tool are listed above. Do not use any attachments or accessories not recommended by the manufacturer of this tool. The use of attachments or accessories not recommended can result in serious personal injury.

**NOTE: FIGURES (ILLUSTRATIONS) START ON PAGE 17
AFTER FRENCH AND SPANISH LANGUAGE SECTIONS.**

**This product has a Three-year Limited Warranty.
For Warranty details go to www.ryobitools.com**

TROUBLESHOOTING

PROBLEM

SOLUTION

-
- | | |
|--|--|
| 1. Biscuits do not fit the slots. Biscuits not fitting slots may also cause misalignment of the boards being joined. | A. Biscuit slots are too deep or too shallow. Make fine adjustments to depth setting. See Making Fine Adjustments .
B. Biscuit thickness may be out of tolerance. Compress biscuits in a vise if they are too thick.
C. Check to see if biscuits are the correct size for the size slots that have been cut: #0, #10, or #20.
D. Check to see if biscuits have gotten wet and have swelled. |
| 2. Wood particles begin to back up on the front of the unit. | A. The dust collection system is not functioning properly. The dust bag may be full. Empty the dust bag often. See Installing/Removing Dust Bag .
B. The dust port may be clogged, preventing wood particles from being drawn into the dust bag. Remove the front and rear base assemblies and clean blade, bearing plate, base assembly slots, and surrounding areas. See Cleaning the Base Assembly and Dust Path . |
| 3. Blade becomes difficult to push in when cutting slots. Blade does not retract properly when cutting slots. | A. Wood particles and resin have built up on base assembly slots and surrounding areas. Remove front and rear base assemblies and clean blade, bearing plate, base assembly slots and surrounding areas. Apply a thin coat of general purpose grease in slots or on bearing plate where base slides. See Cleaning the Base Assembly and Dust Path . |
| 4. Cutting performance is poor and there is a loss of power or stalling of motor when cutting slots. | A. Blade is dull. Replace the blade. See Replacing the Blade .
B. Resin has built up on the blade. Remove the blade and clean blade with gum and pitch remover. See Replacing the Blade . |
-

RÈGLES DE SÉCURITÉ GÉNÉRALES



AVERTISSEMENT :


Lire attentivement toutes les instructions. Le non respect des instructions ci-dessous peut entraîner un choc électrique, un incendie et des blessures graves.

CONSERVER CES INSTRUCTIONS

LIEU DE TRAVAIL

- **Garder le lieu de travail propre et bien éclairé.** Les établis encombrés et les endroits sombres sont propices aux accidents.
- **Ne pas utiliser d'outils électriques dans des atmosphères explosives, par exemple en présence de liquides, gaz ou poussières inflammables.** Les outils électriques produisent des étincelles risquant d'enflammer les poussières ou vapeurs.
- **Garder les badauds, enfants et visiteurs à l'écart pendant l'utilisation d'un outil électrique.** Les distractions peuvent causer une perte de contrôle.

SÉCURITÉ ÉLECTRIQUE

- **Les outils à double isolation sont équipés d'une fiche polarisée (une broche est plus large que l'autre). Cette fiche ne peut être branchée sur une prise polarisée que dans un sens. Si la fiche ne peut pas être insérée dans la prise, l'inverser. Si elle ne peut toujours pas être insérée, faire installer une prise polarisée par un électricien qualifié. Ne pas modifier la fiche, de quelque façon que ce soit.** La double isolation  élimine le besoin de cordon d'alimentation à trois fils et d'un circuit secteur mis à la terre.
- **Éviter tout contact du corps avec des surfaces mises à la terre, telles que tuyaux, radiateurs, cuisinières et réfrigérateurs.** Le risque de choc électrique est accru lorsque le corps est mis à la terre.
- **Ne pas exposer les outils électriques à la pluie ou l'humidité.** La pénétration d'eau dans ces outils accroît le risque de choc électrique.
- **Ne pas maltraiter le cordon d'alimentation. Ne jamais utiliser le cordon d'alimentation pour transporter l'outil et ne jamais débrancher ce dernier en tirant sur le cordon. Garder le cordon à l'écart de la chaleur, de l'huile, des objets tranchants et des pièces en mouvement. Remplacer immédiatement tout cordon endommagé.** Un cordon endommagé accroît le risque de choc électrique.
- **Pour les travaux à l'extérieur, utiliser un cordon spécialement conçu à cet effet, marqué « W-A » ou « W ».** Ces cordons réduisent les risques de choc électrique.

SÉCURITÉ PERSONNELLE

- **Rester attentif, prêter attention au travail et faire preuve de bon sens lors de l'utilisation de tout outil électrique. Ne pas utiliser cet outil en état de**

fatigue ou sous l'influence d'alcool, de drogues ou de médicaments. Un moment d'inattention pendant l'utilisation d'un outil électrique peut entraîner des blessures graves.

- **Porter une tenue appropriée. Ne porter ni vêtements amples, ni bijoux. Attacher ou couvrir les cheveux longs. Garder les cheveux, les vêtements et les gants à l'écart des pièces en mouvement.** Les vêtements amples, bijoux et cheveux longs peuvent se prendre dans les pièces en mouvement.
- **Éviter les démarrages accidentels. S'assurer que le commutateur est en position d'arrêt avant de brancher l'outil.** Porter un outil avec le doigt sur son commutateur ou brancher un outil dont le commutateur est en position de marche de marche peut causer un accident.
- **Retirer les outils et clés de réglage avant de mettre l'outil en marche.** Un outil ou une clé laissée sur une pièce rotative de l'outil peut causer des blessures.
- **Ne pas travailler hors de portée. Toujours se tenir bien campé et en équilibre.** Une bonne tenue et un bon équilibre permettent de mieux contrôler l'outil en cas de situation imprévue.
- **Utiliser l'équipement de sécurité. Toujours porter une protection oculaire.** Suivant les conditions, le port d'un masque antipoussière, de chaussures de sécurité, d'un casque ou d'une protection auditive est recommandé.
- **Ne porter ni vêtements amples, ni bijoux. Attacher ou couvrir les cheveux longs.** Les vêtements amples, bijoux et cheveux longs peuvent se prendre dans les ouïes d'aération.
- **Ne pas utiliser l'outil sur une échelle ou un support instable.** Une bonne tenue et un bon équilibre permettent de mieux contrôler l'outil en cas de situation imprévue.

UTILISATION ET ENTRETIEN DE L'OUTIL

- **Utiliser des serre-joint ou un autre système approprié pour maintenir fermement la pièce sur une surface stable.** Une pièce tenue à la main ou contre son corps est instable et peut causer une perte de contrôle.
- **Ne pas forcer l'outil. Utiliser un outil approprié pour le travail.** Un outil approprié exécutera le travail mieux et de façon moins dangereuse s'il est utilisé dans les limites prévues.
- **Ne pas utiliser l'outil si le commutateur ne permet pas de le mettre en marche et de l'arrêter.** Tout outil qui ne peut pas être contrôlé par son commutateur est dangereux et doit être réparé.
- **Débrancher l'outil avant d'effectuer des réglages, de changer d'accessoire ou de ranger l'outil.** Ces mesures de sécurité réduisent les risques de démarrage accidentel de l'outil.
- **Ranger les outils non utilisés hors de portée des enfants et des personnes n'ayant pas reçu des instructions adéquates.** Dans les mains de personnes n'ayant pas reçu des instructions adéquates, les outils sont dangereux.

RÈGLES DE SÉCURITÉ GÉNÉRALES

- **Entretien soigneusement les outils. Garder les outils bien affûtés et propres.** Des outils correctement entretenus et dont les tranchants sont bien affûtés risquent moins de se bloquer et sont plus faciles à contrôler.
- **Vérifier qu'aucune pièce mobile n'est mal alignée, grippée ou brisée et s'assurer qu'aucun autre problème risque d'affecter le bon fonctionnement de l'outil. En cas de dommages, faire réparer l'outil avant de l'utiliser de nouveau.** Beaucoup d'accidents sont causés par des outils mal entretenus.
- **Utiliser exclusivement les accessoires recommandés par le fabricant pour le modèle d'outil.** Des accessoires appropriés pour un outil peuvent être dangereux s'ils sont utilisés avec un autre.
- **Garder l'outil et sa poignée secs, propres et exempts d'huile ou de graisse.** Toujours utiliser un chiffon propre

pour le nettoyage. Ne jamais utiliser de liquide de freins, d'essence ou de produits à base de pétrole pour nettoyer l'outil. Le respect de cette règle réduira les risques de perte du contrôle et d'endommagement du boîtier en plastique.

DÉPANNAGE

- **Le dépannage doit être confié exclusivement à un personnel qualifié.** Les réparations ou entretiens effectués par des personnes non qualifiées présentent des risques de blessures.
- **Utiliser exclusivement des pièces identiques à celles d'origine pour les réparations. Se conformer aux instructions de la section Entretien de ce manuel.** L'usage de pièces non autorisées ou le non respect des instructions peut présenter des risques de choc électrique ou de blessures.

RÈGLES DE SÉCURITÉ PARTICULIÈRES




- **Lorsque l'outil est utilisé pour un travail risquant de le mettre en contact avec des fils électriques cachés ou son propre cordon d'alimentation, le tenir par les surfaces de prise isolées.** Tout contact avec un fil sous tension électrifierait les parties métalliques de l'outil, et causerait un choc électrique.
- **Apprendre à connaître l'outil. Lire attentivement le manuel d'utilisation. Apprendre les applications et les limites de l'outil, ainsi que les risques spécifiques relatifs à son utilisation.** Le respect de cette consigne réduira les risques d'incendie, de choc électrique et de blessures graves.
- **Toujours porter une protection oculaire avec écrans latéraux certifiée conforme à la norme ANSI Z87.1.** Le respect de cette règle réduira les risques de blessures graves.
- **Protection respiratoire. Porter un masque facial ou un masque anti-poussière si le travail produit de la poussière.** Le respect de cette consigne réduira les risques de blessures graves.
- **Protection auditive. Porter une protection auditive durant les périodes d'utilisation prolongée.** Le respect de cette consigne réduira les risques de blessures graves.
- **Inspecter régulièrement le cordon d'alimentation de l'outil et le cordon prolongateur. S'ils sont endommagés, les confier au centre de réparations agréé le plus proche. Toujours être conscient de l'emplacement du cordon.** Le respect de cette consigne réduira les risques de choc électrique et d'incendie.
- **Vérifier l'état des pièces. Avant d'utiliser l'outil de nouveau examiner soigneusement les pièces et**

dispositifs de protection qui semblent endommagés afin de déterminer s'ils fonctionnent correctement et s'ils remplissent les fonctions prévues. Vérifier l'alignement des pièces mobiles, s'assurer qu'aucune pièce n'est bloquée ou cassée, vérifier la fixation de chaque pièce et s'assurer qu'aucun autre problème ne risque d'affecter le bon fonctionnement de l'outil. Toute protection ou pièce endommagée doit être correctement réparée ou remplacée dans un centre de réparations agréé. Le respect de cette consigne réduira les risques de choc électrique, d'incendie et de blessures graves.






- **S'assurer que le cordon prolongateur est en bon état. Si un cordon prolongateur est utilisé, s'assurer que sa capacité est suffisante pour supporter le courant de fonctionnement de l'outil. Un calibre de fil (A.W.G) d'au minimum 14 est recommandé pour un cordon prolongateur de 15 m (50 pi) maximum. L'usage d'un cordon de plus de 30 m (100 pi) est déconseillé. En cas de doute, utiliser un cordon du calibre immédiatement supérieur. Moins le numéro de calibre est élevé, plus la capacité du fil est grande.** Un cordon de capacité insuffisante causerait une baisse de la tension de ligne, entraînant une perte de puissance et une surchauffe.
- **Inspecter la pièce et retirer les clous éventuels avant d'utiliser cet outil.** Le respect de cette consigne réduira les risques de blessures graves.
- **Conserver ces instructions.** Les consulter fréquemment et les utiliser pour instruire les autres utilisateurs éventuels. Si cet outil est prêté, il doit être accompagné de ces instructions.

SYMBOLES

Les termes de mise en garde suivants et leur signification ont pour but d'expliquer le degré de risques associé à l'utilisation de ce produit.

SYMBOLE	SIGNAL	SIGNIFICATION
	DANGER :	Indique une situation extrêmement dangereuse qui, si elle n'est pas évitée, aura pour conséquences des blessures graves ou mortelles.
	AVERTISSEMENT :	Indique une situation potentiellement dangereuse qui, si elle n'est pas évitée, pourrait entraîner des blessures graves ou mortelles.
	ATTENTION :	Indique une situation potentiellement dangereuse qui, si elle n'est pas évitée, pourrait entraîner des blessures légères ou de gravité modérée.
	AVIS :	(Sans symbole d'alerte de sécurité) Indique une information importante ne concernant pas un risque de blessure comme une situation pouvant occasionner des dommages matériels.

Certains des symboles ci-dessous peuvent être utilisés sur produit. Veiller à les étudier et à apprendre leur signification. Une interprétation correcte de ces symboles permettra d'utiliser produit plus efficacement et de réduire les risques.

SYMBOLE	NOM	DÉSIGNATION / EXPLICATION
	Symbole d'alerte de sécurité	Indique un risque de blessure potentiel.
	Lire le manuel d'utilisation	Pour réduire les risques de blessures, l'utilisateur doit lire et veiller à bien comprendre le manuel d'utilisation avant d'utiliser ce produit.
	Porter une protection oculaire	Toujours porter une protection oculaire avec écrans latéraux certifiée conforme à la norme ANSI Z87.1.
	Avertissement concernant l'humidité	Ne pas exposer à la pluie ou l'humidité.
V	Volts	Tension
A	Ampères	Intensité
Hz	Hertz	Fréquence (cycles par seconde)
min	Minutes	Temps
~	Courant alternatif	Type de courant
n_0	Vitesse à vide	Vitesse de rotation à vide
	Outil de la classe II	Construction à double isolation
.../min	Par minute	Tours, coups, vitesse périphérique, orbites, etc., par minute

CARACTÉRISTIQUES ÉLECTRIQUES

DOUBLE ISOLATION

La double isolation est un dispositif de sécurité utilisé sur les outils à moteur électriques, éliminant le besoin de cordon d'alimentation habituel à trois fils avec terre. Toutes les pièces métalliques exposées sont isolées des composants internes du moteur par l'isolation protectrice. Les outils à double isolation ne nécessitent pas de mise à la terre.

AVERTISSEMENT :

Le système à double isolation est conçu pour protéger l'utilisateur contre les chocs électriques causés par une rupture de l'isolation interne de le produit. Prendre toutes les précautions de sécurité normales pour éviter les chocs électriques.

NOTE : La réparation d'un produit à double isolation exigeant des précautions extrêmes ainsi que la connaissance du système, elle ne doit être confiée qu'à un réparateur qualifié. En ce qui concerne les réparations, nous recommandons de confier le produit au centre de réparation le plus proche. Utiliser exclusivement des pièces d'origine pour les réparations.

CONNEXIONS ÉLECTRIQUES

Cet outil est équipé d'un moteur électrique de précision. Elle doit être branchée uniquement sur une **alimentation 120 V, c.a. (courant résidentiel standard), 60 Hz**. Ne pas utiliser cet produit sur une source de courant continu (c.c.). Une chute de tension importante causerait une perte de puissance et une surchauffe du moteur. Si le produit ne fonctionne pas une fois branché, vérifier l'alimentation électrique.

CORDONS PROLONGATEURS

Lors de l'utilisation d'un outil électrique à grande distance d'une prise secteur, veiller à utiliser un cordon prolongateur d'une capacité suffisante pour supporter l'appel de courant de l'outil. Un cordon de capacité insuffisante causerait une baisse de la tension de ligne, entraînant une perte de puissance et une surchauffe. Se reporter au tableau ci-dessous pour déterminer le calibre minimum de fil requis pour un cordon donné. Utiliser exclusivement des cordons à gaine cylindrique homologués par Underwriter's Laboratories (UL).

Pour le travail à l'extérieur, utiliser un cordon prolongateur spécialement conçu à cet effet. Ce type de cordon porte l'inscription « W-A » ou « W » sur sa gaine.

Avant d'utiliser un cordon prolongateur, vérifier que ses fils ne sont ni détachés ni exposés et que son isolation n'est ni coupée, ni usée.

**Intensité nominale (sur la plaquette signalétique de le produit)

Longueur du cordon	Calibre de fil (A.W.G.)					
	0-2,0	2,1-3,4	3,5-5,0	5,1-7,0	7,1-12,0	12,1-16,0
25'	16	16	16	16	14	14
50'	16	16	16	14	14	12
100'	16	16	14	12	10	—

**Utilisé sur circuit de calibre 12 – 20 A

NOTE : AWG = American Wire Gauge

AVERTISSEMENT :

Maintenir le cordon prolongateur à l'écart de la zone de travail. Lors du travail avec un cordon électrique, placer le cordon de manière à ce qu'il ne risque pas de se prendre dans les pièces de bois, outils et autres obstacles. Ne pas prendre cette précaution peut entraîner des blessures graves.

AVERTISSEMENT :

Vérifier l'état des cordons prolongateurs avant chaque utilisation. Remplacer immédiatement tout cordon endommagé. Ne jamais utiliser un produit dont le cordon d'alimentation est endommagé, car tout contact avec la partie endommagée pourrait causer un choc électrique et des blessures graves.

CARACTÉRISTIQUES

FICHE TECHNIQUE

Réglages d'angle du guide 0-135°
Profondeur de coupe 0 à 14 mm (0 à 9/16 po)
Longueur du cordon 3 m
Lame 101,6 mm (4 po)

Vitesse à vide 10 000 tr/min.
Alimentation 120 V, 60 Hz, c.a. seulement, 6,0 A
Poids net 3,8 kg (8,4 lb)

VEILLER À BIEN CONNAÎTRE LA RAINUREUSE

Voir la figure 1, page 17.

L'utilisation sûre de ce produit exige une compréhension des renseignements figurant sur l'outil et contenus dans le manuel d'utilisation, ainsi qu'une bonne connaissance du projet entrepris. Avant d'utiliser ce produit, se familiariser avec toutes ses caractéristiques et règles de sécurité.

GUIDE RÉGLABLE

Le guide réglable de la rainureuse peut être réglé à des angles de 0 à 135°, avec des butées fixes séparées de 45°. La hauteur du guide peut être réglée entre 0 et 2 po.

Le guide réglable et doit toujours être utilisé pour guider et équilibrer la rainureuse, ce qui facilite le travail et empêche la perte de contrôle.

RAPPORTEUR D'ANGLE

Le guide de la rainureuse peut être réglé à des angles de 0 à 135°.

LAMELLOS

Les lamellos gonflent rapidement au contact des colles à l'eau de menuisier. Les lamellos sont offerts en trois tailles standard :

#0	(5/8 po x -1-13/16 po)
#10	(13/16 po x -2-1/16 po)
#20	(15/16 po x -2-5/16 po)

20 lamellos no. 10 sont fournis avec la rainureuse.

LAME À DENTS AU CARBURE

La rainureuse est dotée d'une lame à 8 dents au carbure pour la coupe de rainures à lamellos.

BOUTON DE RÉGLAGE DE PROFONDEUR

Un bouton de réglage de profondeur à ressort permet de faire des réglages corrects pour trois dimensions standard de lamellos.

DOUBLE POIGNÉE

La double poignée offre le choix de deux positions, pour un confort maximum d'utilisation.

SYSTÈME D'ASPIRATION DE SCIURE

Pendant les opérations de coupe, la sciure est aspirée au travers d'un tunnel de la base et recueillie dans le sac. Le sac à sciure peut être retiré et remplacé par un tuyau d'aspiration de 1-1/4 po.

BOUTON DE RÉGLAGE DE HAUTEUR

Ce bouton permet de relever ou abaisser le guide par rapport au centre de la lame.

ÉCHELLE DE RÉGLAGE DE HAUTEUR

Une échelle graduée des deux côtés du guide indique la hauteur du guide depuis le centre de la lame.

INDICATEUR DE LIGNE DE COUPE

L'indicateur de centrage et de coupe permet d'effectuer des coupes plus précises.

BOUTON DE VERROUILLAGE

Le bouton de verrouillage permet de desserrer le guide réglable pour débloquer le bouton de réglage de hauteur.

SURFACE ANTIDÉRAPANTE

Le guide de la rainureuse est doté d'une surface antidérapante pour éviter le dérapage pendant l'utilisation. Cette surface empêche également de rayer la pièce pendant la coupe.

GÂCHETTE

Le commutateur à gâchette MARCHE/ARRÊT de la rainureuse est commodément placé au-dessous de la double poignée.

ASSEMBLAGE

AVERTISSEMENT :

Ne pas utiliser le produit s'il n'est pas complètement assemblé ou si des pièces semblent manquantes ou endommagées. L'utilisation d'un produit dont l'assemblage est incorrect ou incomplet ou comportant des pièces endommagées ou absentes représente un risque de blessures graves.

AVERTISSEMENT :

Ne pas essayer de modifier cet outil ou de créer des pièces et accessoires non recommandés. De telles altérations ou modifications sont considérées comme un usage abusif et peuvent créer des conditions dangereuses, risquant d'entraîner des blessures graves.

Si des pièces manquent ou sont endommagées, veuillez appeler au 1-800-525-2579 pour obtenir de l'aide.

PROPOSITION 65 DE L'ÉTAT DE CALIFORNIE

AVERTISSEMENT :

Ce produit et la poussière dégagée lors du ponçage, sciage, meulage, perçage de certains matériaux et lors d'autres opérations de construction peuvent contenir des produits chimiques, notamment du plomb qui, selon l'État de la Californie, peuvent causer le cancer, des anomalies congénitales et d'autres dommages au système reproducteur. Bien se laver les mains après toute manipulation.

Voici certains exemples de ces produits chimiques :

- le plomb contenu dans la peinture au plomb,
- la silice cristalline contenue dans les briques, le béton et d'autres produits de maçonnerie, ainsi que
- l'arsenic et le chrome contenus dans le bois de construction traité par produits chimiques.

Le risque présenté par l'exposition à ces produits varie en fonction de la fréquence de ce type de travail. Pour réduire l'exposition, travailler dans un endroit bien aéré et utiliser des équipements de sécurité approuvés tels que masques antipoussières spécialement conçus pour filtrer les particules microscopiques.

UTILISATION

AVERTISSEMENT :

Ne pas laisser la familiarité avec l'outil faire oublier la prudence. Ne pas oublier qu'une fraction de seconde d'inattention peut entraîner des blessures graves.

AVERTISSEMENT :

Toujours porter une protection oculaire avec écrans latéraux certifiée conforme à la norme ANSI Z87.1. Si cette précaution n'est pas prise, des objets peuvent être projetés dans les yeux et causer des lésions graves.

APPLICATIONS

Cet outil peut être utilisé pour les applications ci-dessous :

- Coupe précise de rainures ovales de jointement dans du bois dur, du bois tendre, du contre-plaqué, de l'aggloméré, etc.

INSTALLATION/RETRAIT DU SAC À SCIURE

Voir la figure 2, page 17.

Le sac à sciure se trouvant à l'arrière de la scie d'assemblage recueille la sciure créée par la coupe. Pendant les opérations de coupe, la sciure est aspirée au travers de la base et recueillie dans le sac. Pour un fonctionnement plus efficace, vider le sac à sciure lorsqu'il est à moitié plein.

Pour installer le sac à sciure, débrancher la rainureuse et glisser son adaptateur sur l'orifice d'échappement. Pour retirer le sac, saisir l'adaptateur et tirer pour le séparer de la rainureuse.

RACCORDEMENT DE LA RAINUREUSE À UN ASPIRATEUR

Voir la figure 3, page 17.

Le sac à sciure peut être retiré et remplacé par un tuyau d'aspiration de 1-1/4 po.

- Débrancher la rainureuse.
- Retirer le sac à sciure.
- Brancher le tuyau de l'aspirateur sur l'adaptateur.
- Brancher la rainureuse et l'aspirateur sur une prise secteur.

UTILISATION



AVERTISSEMENT :

Lorsque l'outil n'est pas raccordé à un aspirateur, il doit toujours être muni du sac à sciure. Si cette précaution n'est pas prise, de la sciure ou d'autres objets peuvent être projetés dans le visage ou les yeux et causer des lésions graves.

JOINTOYAGE À LAMELLOS

L'assemblage à lamellos est une des méthodes d'assemblage les plus robustes utilisées en menuiserie. Lorsque de la colle est correctement appliquée sur lamello et sur le chant des pièces à assembler, une grande surface bénéficie des propriétés d'adhésion de la colle. Cela constitue un assemblage très robuste.

L'assemblage traditionnel à rainure et fausse languette nécessite de couper des fentes avec une toupie ou avec une scie circulaire. De petites bandes fines de bois doivent alors être coupées pour être insérées dans les rainures et servir de fausses languettes.

Des méthodes plus modernes d'assemblage à fausse languette utilisent une rainureuse ou une machine à jointer le bois pour couper des fentes ovales de jointement précises dans les planches à assembler. La rainureuse constitue un moyen simple, rapide et précis pour pratiquer des rainures dans le bois dur ou tendre, le contre-plaqué et différents types d'aggloméré.

Les grandes lamelles en forme de ballon de rugby, appelées lamellos, sont alors placées dans les fentes avec de la colle et facilitent l'alignement des pièces à assembler. Si de la colle à l'eau est utilisée, les lamellos gonflent dans le joint, assurant une adhésion extrêmement robuste et ferme. La colle blanche, la colle jaune, la colle de menuisier, la colle de peaux, et la colle aliphatique sont des exemples de colle à l'eau. Cette technique de collage a été traditionnellement limitée à l'assemblage chant sur chant. Toutefois, avec la rainureuse, des lamellos peuvent désormais être facilement utilisés pour les joints à plat, à onglet et en T. Les assemblages à lamellos peuvent être aussi robustes que les assemblages à tenon et mortaise, à rainure et languette, à rainure et fausse languette standard et chevillés. Dans la plupart des cas, le matériau dans lequel le lamello est inséré se cassera en premier. Dans une jointure à lamello, une plus grande surface est exposée à la colle du joint, le rendant plus robuste.

La rainureuse permet de réaliser divers assemblages à rainure et lamellos. Le nombre et la taille des lamellos nécessaires pour chaque assemblage dépendent de l'épaisseur du bois et de la longueur de la jointure. En général, les petits lamellos n° 0 conviennent aux coupes d'onglet dans des matériaux de 3/4 po. Les lamellos plus grands conviennent aux assemblages chant sur chant.

Lors de l'assemblage de matériaux de 1-1/2 po d'épaisseur, empiler deux lamellos. Par exemple, l'assemblage de 2 po de bois raboté de 2 po x 4 po. Pour l'assemblage de

matériaux encore plus épais, utiliser des lamellos supplémentaires superposés.

Pour l'assemblage chant sur chant de dessus tables, établis, planches à découper, etc., plus le nombre de lamellos est grand, plus l'assemblage est robuste.

MISE EN MARCHÉ / ARRÊT DE LA RAINUREUSE

Voir la figure 4, page 17.

Pour mettre la rainureuse en marche, appuyer sur la gâchette. Pour l'arrêter, relâcher la gâchette.

Pendant le fonctionnement, maintenir la rainureuse à deux mains. Placer une main droite sur la poignée arrière et l'autre sur le guide pour maintenir l'outil constamment en contact avec la pièce à usiner.

Cet outil est muni d'une poignée arrière double permettant à l'opérateur de choisir celle des deux positions possibles qui lui semble la plus confortable.

PROFONDEUR DE COUPE

La rainureuse peut permettre trois profondeurs de coupe standard correspondant aux trois dimensions standard de lamellos - n° 0, n° 10 et n° 20. Les réglages sont effectués en engageant les fentes du bouton de réglage de profondeur sur les languettes de la base arrière. Par exemple, pour un lamello n° 0, tourner le bouton de réglage de profondeur jusqu'à la fente marquée 0, pour un lamello n° 10, tourner le bouton de réglage de profondeur jusqu'à la fente marquée 10 et pour un lamello n° 20, tourner le bouton de réglage de profondeur jusqu'à la fente marquée 20. Voir la figure 3.

RÉGLAGE DE LA PROFONDEUR DE COUPE

Voir la figure 5, page 17.

- Débrancher la rainureuse.
- Sélectionner le réglage de profondeur en fonction de la taille de lamello à utiliser. Pour ce faire, tirer sur le bouton de réglage moleté et l'écrou de blocage dans le sens de la flèche illustrée à la figure 5.

NOTE : Le bouton et l'écrou sont chargés par ressort. Lorsqu'ils sont tirés dans le sens de la flèche, la pression est appliquée sur le ressort et non plus sur le bouton de réglage de profondeur.

- Tourner le bouton de réglage de profondeur de manière à ce que le réglage de rainure désiré s'aligne sur les languettes de l'arrière de la base.

RÉGLAGES FINIS

Voir la figure 6, page 18.

Effectuer une coupe d'essai sur une chute de bois. Insérer un lamello de taille correcte dans la rainure. La rainure doit être assez profonde pour permettre l'insertion d'un peu plus de la moitié du lamello. Cet espace supplémentaire permet d'obtenir un alignement correct des pièces lors de l'assemblage.

UTILISATION

Si la rainure est trop ou pas assez profonde, des réglages fins de la profondeur peuvent être effectués en desserrant le bouton de réglage moleté et en tournant l'écrou.

- Débrancher la rainureuse.
- Desserrer le bouton de réglage moleté. Ce bouton sert uniquement de contre-écrou. Le desserrer en le tournant dans le sens contraire de l'écrou de blocage.
- Tourner l'écrou vers la droite pour réduire la profondeur de coupe et vers la gauche pour l'augmenter.
- Après avoir obtenu la profondeur de coupe désirée, tenir l'écrou pour l'empêcher de se dérégler. Ensuite, serrer le bouton de réglage moleté contre l'écrou.
- Vérifier le réglage de profondeur en effectuant une coupe d'essai sur une chute de bois. Vérifier régulièrement la précision du réglage de profondeur. Tourner l'écrou vers la droite pour réduire la profondeur de la rainure. Tourner l'écrou vers la gauche pour augmenter la profondeur de la rainure.

RÉGLAGE DE HAUTEUR DE GUIDE

Le guide réglable de la rainureuse peut être relevé ou abaissé pour régler la position de la lame par rapport au-dessus de la pièce. Une échelle graduée des deux côtés du guide indique la hauteur du guide depuis le centre de la lame. Le guide peut être positionné jusqu'à 5 cm (2 po) du centre de la lame. Toutefois, l'échelle graduée et l'indicateur ne peuvent être réglés qu'à 5 cm (2 po) du centre de la lame. Les graduations sont espacées de 1,6 mm (1/16 po).

RÉGLAGE DE LA HAUTEUR DU GUIDE

Voir la figure 7, page 18.

- Débrancher la rainureuse.
- Desserrer le bouton de réglage de hauteur gauche d'environ un tour.
- Déplacer le guide vers le haut ou vers le bas jusqu'à ce le repère soit aligné sur la graduation désirée.
- Serrer fermement le bouton de verrouillage.

ANGLE DU GUIDE

Le guide de la rainureuse peut être réglé à des angles de 0 à 135°, avec des butées positives espacées de 45°. Un rapporteur des deux côtés du guide réglable permet d'identifier les angles de butée positive. Un dé clic se produit lors du passage du guide d'un réglage d'angle à un autre correspondant à un changement d'angle de butée de 45°.

RÉGLAGE DE L'ANGLE DU GUIDE

Voir la figure 8, page 18.

- Débrancher la rainureuse.
- Desserrer le bouton de réglage de hauteur d'environ un tour.
- Tourner le guide sur l'angle désiré.
- Serrer fermement le bouton de verrouillage.

ASSEMBLAGES CHANT SUR CHANT

Voir les figures 9 et 10, page 18.

L'assemblage chant sur chant est l'un des plus simples et les plus élémentaires à réaliser.

- Débrancher la rainureuse.
- Préparer les pièces à assembler en les posant côte à côte sur un établi, dans l'ordre d'assemblage.
- À l'aide d'une équerre, déterminer l'emplacement de chaque joint à lamello et marquer le centre de chaque assemblage en traçant une ligne en travers de chaque pièce.

NOTE : Tracer une ligne à 5 cm (2 po) du bord des pièces. L'assemblage est plus robuste si vous utilisez plusieurs pastilles rapprochées.

- Desserrer le bouton de verrouillage d'environ un tour et régler le guide sur 90°.
 - Régler le guide à la hauteur désirée (indiquée sur l'échelle graduée) au moyen du bouton de réglage de hauteur droit.
- NOTE :** L'échelle graduée indique la hauteur du guide à partir du centre de la lame.

- Serrer fermement le bouton de verrouillage.
- Sélectionner le réglage de profondeur de coupe en fonction de la taille de lamello à utiliser. Si possible, effectuer un essai de coupe sur une chute du même bois que la pièce à assembler.
- Assujettir la pièce solidement, afin qu'elle ne risque pas de bouger pendant la coupe.
- Brancher la rainureuse sur une prise secteur et se préparer à faire la première coupe. Saisir et tenir la rainureuse fermement à deux mains.
- Placer le guide contre la planche et aligner les repères du guide sur les marques de l'axe de la planche.
- Appuyer sur la gâchette pour mettre la rainureuse en marche. Laisser la lame parvenir à sa vitesse maximum, puis pousser la rainureuse vers l'avant pour faire pénétrer la lame dans le bois.
- Lorsque la base atteint la butée du bouton de réglage de profondeur de coupe, reculer l'outil, ce qui relâche la pression sur le ressort. La lame se rétracte de la rainure de lamello.
- Répéter cette procédure pour toutes les rainures désirées.
- Une fois toutes les rainures pratiquées, placer un lamello dans chacune et assembler les pièces à sec. Vérifier le bon alignement et ajustement de chaque joint.
- Finalement, séparer les pièces et appliquer un cordon de colle dans chaque fente. Étaler de la colle sur toute la surface du joint. Réinsérer les lamellos et assembler les pièces.
- Serrer les pièces assemblées jusqu'à ce que la colle prenne.

ASSEMBLAGES À PLAT JOINT

Ce type d'assemblage est effectué en aboutant le grain longitudinal d'une pièce et le grain transversal d'une autre. L'adhésion sur ce type de surface est médiocre. Toutefois, l'usage de lamellos permet de créer un assemblage très robuste présentant l'aspect d'un jointure à tenon et mortaise.

ASSEMBLAGES À PLAT JOINT

Voir les figures 11 et 12, pages 18 et 19.

- Débrancher la rainureuse.
- Placer les deux pièces de bois à assembler sur un établi horizontal. Les aligner l'une contre l'autre dans leur position d'assemblage.
- À l'aide d'une équerre, déterminer l'emplacement de chaque joint à lamellos et marquer le centre de chaque assemblage en traçant une ligne transversale sur les deux pièces.
- Desserrer le bouton de verrouillage et régler le guide sur 90°.
- Régler le guide à la hauteur désirée (indiquée sur l'échelle graduée) au moyen du bouton de réglage de hauteur.

NOTE : L'échelle graduée indique la hauteur du guide à partir du centre de la lame.

- Serrer fermement le bouton de verrouillage.
- Sélectionner le réglage de profondeur de coupe correct en fonction de la taille de lamello à utiliser. Si possible, effectuer un essai de coupe sur une chute du même bois que la pièce à assembler.
- Assujettir la pièce solidement, afin qu'elle ne risque pas de bouger pendant la coupe.
- Brancher la rainureuse sur une prise secteur et se préparer à faire la première coupe. Saisir et tenir la rainureuse fermement à deux mains.
- Placer le guide contre la planche et aligner les repères du guide sur le(s) marque(s) de l'axe de la planche.
- Appuyer sur la gâchette pour mettre la rainureuse en marche, puis la pousser vers l'avant pour faire pénétrer la lame dans le bois.
- Lorsque la base atteint la butée du bouton de réglage de profondeur de coupe, reculer l'outil, ce qui relâche la pression sur le ressort. La lame se rétracte de la rainure de lamello.
- Répéter cette procédure pour pratiquer une rainure dans la planche à assembler.
- Une fois toutes les rainures pratiquées, placer un lamello dans chacune et assembler les pièces à sec. Vérifier le bon alignement et ajustement de chaque joint.
- Finalement, séparer les pièces et appliquer un cordon de colle dans chaque fente. Étaler de la colle sur toute la surface du joint. Réinsérer les lamellos et assembler les pièces comme illustré à la figure 10.

- Serrer les pièces assemblées jusqu'à ce que la colle prenne.

ASSEMBLAGES À PLAT JOINT DÉCALÉ

Voir la figure 12, page 19.

Les traverses d'une table ou d'un établi sont souvent décalées par rapport au devant des pieds de la table. Lorsque des décalages sont exigés, il est nécessaire de couper les fentes dans les traverses en premier, puis de réajuster le guide pour couper les fentes dans les pieds.

Cette exception mise à part, la procédure pour couper des assemblages à plat joint décalés est identique à celle des assemblages à plat joint standard.

Par exemple — pour obtenir un décalage de 6 mm (1/4 po), les axes de coupe de l'assemblage à plat joint comme expliqué dans les procédures de coupe d'assemblage à plat joint et pratiquer les rainures dans les extrémités des traverses. Ensuite, relever le guide de 6 mm (1/4 po) pour obtenir le décalage désiré et pratiquer les rainures dans les pieds.

ASSEMBLAGES EN T

Voir la figure 13, page 19.

Un joint en T est utilisé lorsque l'extrémité d'une planche est assemblée sur le chant d'une autre, comme le montre la figure 12. Typiquement, cette méthode est utilisée pour le montage d'étagères de bibliothèque et de traverses de renfort. La coupe d'un joint en T n'est pas plus difficile qu'une autre. Toutefois, il est essentiel de tracer les axes, de marquer les points d'intersection de chaque rainure et de couper correctement les rainures.

JOINTS EN T

Voir les figures 14 et 15, page 19.

- Débrancher la rainureuse.
 - Placer les deux pièces de bois à assembler sur un établi horizontal. La face intérieure de la planche verticale doit être orientée vers le haut.
 - Déterminer l'emplacement de chaque lamello et marquer les axes sur chaque planche, comme illustré. Les axes des deux planches doivent s'aligner. Mesurer soigneusement, ces mesures doivent être précises et exactes.
- NOTE :** Mesurer deux fois avant de couper. Après avoir vérifié l'alignement des médianes, vérifier que les espacements des fentes à pastille d'un côté et de l'autre correspondent.
- Brancher la rainureuse, saisir et tenir la rainureuse fermement à deux mains, et pratiquer les rainures dans toutes les planches qui nécessitent des rainures d'extrémité.

Suivre les instructions de la section **Joints bord à bord**.

- Régler l'angle du guide à 90°.
- Régler le guide à la hauteur désirée (indiquée sur l'échelle graduée).

UTILISATION

- Sélectionner le réglage de profondeur en fonction de la taille de lamello à utiliser.
- Assujettir la pièce solidement, puis couper les rainures aux intesections d'axes marquées.

Ensuite, régler le guide de la rainureuse de manière à couper les rainures dans la planche verticale.

COUPE PLANCHES VERTICALES

Voir les figures 16 et 17, page 19.

- Débrancher la rainureuse.
- Desserrer le bouton de verrouillage et régler le guide sur 0°.
- Régler le guide à la plus haut réglage (2 po) au moyen du bouton de réglage de hauteur.
- Resserrer le bouton de verrouillage.
- Sélectionner le réglage de profondeur en fonction de la taille de lamello à utiliser.
- Assujettir fermement la pièce.
- Placer la rainureuse sur la planche verticale et aligner les repères de la base sur l'axe de la planche verticale.
- Placer un morceau de bois droit sur la planche verticale et l'assujettir solidement les deux planches sur la base. Ce morceau de bois sert de guide. Il doit être d'équerre par rapport aux côtés de la planche verticale et parallèle à la médiane.
- Aligner l'axe sur le dessous de la base et l'intersection marquée pour la rainure de lamello.
- Brancher la rainureuse sur une prise secteur, saisir et tenir la rainureuse fermement à deux mains, et se préparer à faire la première coupe.
- Appuyer sur la gâchette pour mettre la rainureuse en marche, puis la pousser vers l'avant pour faire pénétrer la lame dans le bois.
- Lorsque la base atteint la butée du bouton de réglage de profondeur de coupe, reculer l'outil, ce qui relâche la pression sur le ressort. La lame se rétracte de la rainure de lamello.
- Répéter cette procédure pour toutes les rainures des planches verticales.
- Une fois toutes les rainures pratiquées, placer un lamello dans chacune et assembler les pièces à sec. Vérifier le bon alignement et ajustement de chaque joint.
- Finalement, séparer les pièces et appliquer un cordon de colle dans chaque fente. Étaler de la colle sur toute la surface du joint. Réinsérer les lamellos et assembler les pièces.
- Serrer les pièces assemblées jusqu'à ce que la colle prenne.

ASSEMBLAGES À ONGLET

Voir les figures 18 à 21, pages 19 et 20.

Deux types de joints à onglet peuvent être réalisés avec des lamellos : les joints à onglet à plat joint d'onglet et sur chant. Les assemblages à plat joint sont utilisés pour les cadres de photo. Les joints à onglet sur chant sont utilisés pour la fabrication de boîtes ou d'objets pour lesquels il n'est pas souhaitable d'exposer le d'extrémité du bois.

ONGLETS À PLAT JOINT

Voir la figure 18, page 19.

- Débrancher la rainureuse
- Placer les pièces de bois à assembler sur un établi horizontal.
- Utiliser une équerre combinée pour tracer un trait passant par le centre de chaque joint, perpendiculaire aux bords biseautés.
- Régler l'angle du guide à 90°, régler la hauteur du guide à la dimension désirée sur l'échelle, sélectionner le réglage correct de profondeur de coupe pour la taille de pastille à utiliser et assujettir fermement la pièce.
- Aligner le repère du guide sur l'axe de la pièce.
- Brancher la rainureuse sur une prise secteur, saisir et tenir la rainureuse fermement à deux mains, et se préparer à faire la première coupe.
- Appuyer sur la gâchette pour mettre la rainureuse en marche, puis pousser la rainureuse vers l'avant pour faire pénétrer la lame dans le bois.
- Lorsque la base atteint la butée du bouton de réglage de profondeur de coupe, reculer l'outil, ce qui relâche la pression sur le ressort. La lame se rétracte de la rainure de lamello.
- Répéter cette procédure pour couper la rainure d'assemblage et toutes les rainures pour joint à onglet.
- Une fois toutes les rainures pratiquées, placer un lamello dans chacune et assembler les pièces à sec. Vérifier le bon alignement et ajustement de chaque joint.
- Finalement, séparer les pièces et appliquer un cordon de colle dans chaque fente. Étaler de la colle sur toute la surface du joint. Réinsérer les lamellos et assembler les pièces.
- Serrer les pièces assemblées jusqu'à ce que la colle prenne.

ONGLETS SUR CHANT

Voir les figures 19 à 21, page 20.

- Débrancher la rainureuse.
- Placer les pièces de bois à assembler sur un établi horizontal.
- Marquer l'axe du joint sur chaque planche.
- Pour réaliser un assemblage d'onglet sur chant de pièces d'épaisseurs différentes, bloquer ces dernières fermement sur un établi avec les longs côtés vers le haut. Ceci assure que les surfaces extérieures seront alignées.
- Desserrer le bouton de verrouillage et régler le guide sur 135°.
- Régler le guide à la hauteur désirée (indiquée sur l'échelle graduée) au moyen du bouton de réglage de hauteur.
- Serrer fermement le bouton de verrouillage.
- Placer la rainureuse sur la pièce avec le guide réglable appuyé sur le côté long de la pièce. La base ou le guide vertical doit reposer à plat contre le bord biseauté de la pièce.
- Vérifier de nouveau le réglage de hauteur du guide pour s'assurer que la lame ne risque pas de traverser la pièce.
- Aligner le repère du guide sur l'axe de la pièce. S'assurer que la base ou le guide vertical est appuyé à plat contre le bord biseauté de la pièce.
- Brancher la rainureuse sur une prise secteur, saisir et tenir la rainureuse fermement à deux mains, et se préparer à faire la première coupe.
- Appuyer sur la gâchette pour mettre la rainureuse en marche, puis pousser la rainureuse vers l'avant pour faire pénétrer la lame dans le bois.

- Lorsque la base atteint la butée du bouton de réglage de profondeur de coupe, reculer l'outil, ce qui relâche la pression sur le ressort. La lame se rétracte de la rainure de lamello.
- Répéter cette procédure pour couper la rainure d'assemblage et toutes les rainures pour joint à onglet.
- Une fois toutes les rainures pratiquées, placer un lamello dans chacune et assembler les pièces à sec. Vérifier le bon alignement et ajustement de chaque joint.
- Finalement, séparer les pièces et appliquer un cordon de colle dans chaque rainure. Étaler de la colle sur toute la surface du joint. Réinsérer les lamellos et assembler les pièces.
- Serrer les pièces assemblées jusqu'à ce que la colle prenne.

Si les pièces présentent la même épaisseur, les bloquer fermement sur un établi avec les côtés courts vers le haut. Régler l'angle du guide à 45°. Placer la rainureuse sur la pièce avec le guide réglable en appui sur le côté court de la pièce et la base ou le guide vertical contre le bord biseauté de la pièce. Reprendre les étapes ci-dessus pour toutes les rainures nécessaires.

NOTE : Avant de couper les rainures, s'assurer que la lame ne traversera pas la pièce et que le guide horizontal et le guide vertical sont appuyés à plat contre le bord biseauté et la surface de la pièce.

ENTRETIEN

AVERTISSEMENT :

Utiliser exclusivement des pièces d'origine pour les réparations. L'usage de toute autre pièce pourrait créer une situation dangereuse ou endommager l'outil.

AVERTISSEMENT :

Toujours porter une protection oculaire avec écrans latéraux certifiée conforme à la norme ANSI Z87.1. Si cette précaution n'est pas prise, des objets peuvent être projetés dans les yeux et causer des lésions graves.

ENTRETIEN GÉNÉRAL

Éviter d'utiliser des solvants pour le nettoyage des pièces en plastique. La plupart des matières plastiques peuvent être endommagées par divers types de solvants du commerce. Utiliser un chiffon propre pour éliminer la saleté, la poussière, l'huile, la graisse, etc.

AVERTISSEMENT :

Ne jamais laisser de liquides tels que le fluide de freins, l'essence, les produits à base de pétrole, les huiles pénétrantes, etc., entrer en contact avec les pièces en plastique. Les produits chimiques peuvent endommager, affaiblir ou détruire le plastique, ce qui peut entraîner des blessures graves.

Les outils électriques utilisés sur la fibre de verre, le placoplâtre, les mastics de bouchage ou le plâtre s'usent plus vite et sont susceptibles de défaillance prématurée, car les particules et les éclats de fibre de verre sont fortement abrasifs pour les roulements, balais, commutateurs, etc. Toutefois, si l'outil a été utilisé sur l'un de ces matériaux, il est extrêmement important de le nettoyer à l'air comprimé.

LUBRIFICATION

Tous les roulements de cet outil sont enduits d'une quantité suffisante de lubrifiant de haute qualité pour la durée de vie de l'outil, dans des conditions d'utilisation normales. Aucune autre lubrification n'est donc nécessaire.

REMPACEMENT DU CORDON D'ALIMENTATION

S'il y a lieu, le cordon d'alimentation doit être remplacé par un centre de réparation agréé afin d'éviter tout risque.

REMPACEMENT DE LA LAME

Voir les figures 22 à 24, page 20.

Après un certain temps, la lame de la rainureuse peut s'émousser et devoir être remplacée. Si la lame heurte accidentellement un clou ou tout autre objet dur, les dents de la lame peuvent casser, ce qui exige le remplacement de la lame.

- Débrancher la rainureuse.
- Retirer le sac à sciure.
- Poser la rainureuse à l'envers sur un établi.
- À l'aide d'un tournevis, retirer les quatre vis et rondelles de fixation de la semelle aux parties avant et arrière. Retirer la semelle.
- Placer un tournevis dans l'un des trous de la plaque d'appui.
- Placer une des dents non coupantes se trouvant derrière chaque dent coupante à pointe au carbure contre le tournevis ou la tige et bloquer la lame pour l'empêcher de tourner. **NE PAS** bloquer la lame contre une des dents coupantes. Les pointes au carbure se casseraient.
- À l'aide d'une clé hexagonale de 3/16 po, retirer la vis de la lame.

NOTE : Tourner la vis de la lame dans le sens anti-horaire pour la retirer.

- Retirer la rondelle extérieure de lame et la lame.
 - Nettoyer la sciure et la résine des fentes de la base, des alentours du sac à sciure, de la base et de toutes les zones avoisinantes.
 - Placer la rondelle intérieure de lame sur la broche.
 - Placer la nouvelle lame sur l'épaulement de la rondelle de lame et l'assujettir avec la rondelle extérieure et la vis.
- NOTE :** La vis de la lame s'engage dans le renforcement de la rondelle.

NOTE : Les dents de la lame sont orientées vers la droite de la rainureuse lorsque celle-ci est en position normale de fonctionnement. Le sens de rotation est indiqué sur la lame. Une flèche sur le dessous de la base avant indique également le sens de rotation.

- Placer un tournevis dans l'un des deux trous de la plaque d'appui et bloquer la lame pour l'empêcher de tourner.
- Tourner la vis vers la droite et la serrer fermement avec la clé hexagonale.
- Remettre la semelle en place.
- Remettre les rondelles et vis en place et les serrer fermement à l'aide d'un tournevis.
- Remettre le sac à sciure en place.

NETTOYAGE DE LA BASE ET DUPASSAGE DE SCIURE

Voir les figures 25 à 27, pages 20 et 21.

Après un emploi prolongé, de la sciure et de la résine peuvent s'accumuler à l'intérieur de la base de la rainureuse et empêcher le passage des particules de bois entrant dans le sac à sciure. Non seulement les particules de bois s'accumulant dans cette zone rendent le système de dépoussiérage le système de dépoussiérage de la rainureuse inopérant mais encore elles rendent plus difficile la coupe des rainures à lamello.

- Débrancher la rainureuse.
- Retirer le sac à sciure.
- Poser la rainureuse à l'envers sur un établi.
- À l'aide d'un tournevis, retirer les deux vis et rondelles de fixation de la base. Retirer la semelle.
- Retirer la lame : Voir **Remplacement de la lame**.
- La lame étant retirée, poser la rainureuse à l'envers. À l'aide d'une pince à bec fin, tirer et décrocher les ressorts des languettes de la platine.
- À l'aide d'un tournevis, retirer les deux vis de fixation des bases avant et arrière.
- Avec précaution, séparer la base avant de la base arrière. Retirer la base avant.

NOTE : Ces pièces sont solidement ajustées. Il peut être utile de les frapper légèrement avec un maillet à leur point de jonction.

- Retirer la base arrière.
- Les deux pièces étant séparées, nettoyer la sciure et la résine des alentours de la lame, du raccord de sac à sciure, des bases avant et arrière et de toutes les zones avoisinantes.
- Appliquer une mince couche de graisse universelle dans les rainures ou sur la plaque d'appui sur laquelle la base glisse.
- Remettre la base arrière en place.
- Remettre la base avant en place. Remettre les vis de fixation des bases avant et arrière en place et les serrer.
- Remettre les ressorts en place.
- Réinstaller ou remplacer la lame.
- Assujettir la semelle au moyen des vis et rondelles.
- Remettre le sac à sciure en place.

NETTOYAGE DE LA SAC À SCIURE

Voir les figure 28, page 21.

- Débrancher la rainureuse.
- Retirer le sac à sciure.
- Retirer le clip de l'arrière du sac à sciure.
- Vider complètement le sac à sciure en le secouant.
- Remettre le clip en place.
- Remettre le sac à sciure en place.

ACCESSOIRES

Les accessoires recommandés ci-dessous sont en vente dans les magasins de détail :

■ Lamellos, 100 pièces.....	Taille 0
■ Lamellos, 100 pièces.....	Taille 10
■ Lamellos, 100 pièces.....	Taille 20
■ Assortiment de lamellos	400 pièces au total
Taille 0	100 pièces
Taille 10	100 pièces
Taille 20	200 pièces



AVERTISSEMENT :

Les outils et accessoires disponibles actuellement pour cet outil sont listés ci-dessus. Ne pas utiliser d'outils ou accessoires non recommandés pour cet outil. L'utilisation de pièces et accessoires non recommandés peut entraîner des blessures graves.

NOTE : FIGURES (ILLUSTRATIONS) COMMENÇANT SUR 17 DE PAGE APRÈS LE SECTION ESPAGNOL.

Ce produit est couvert par une garantie limitée de trois (3) ans. Veuillez visiter notre site internet au www.ryobitools.com pour obtenir tous les détails de la garantie.

RÉSOLUTION DES PROBLÈMES

PROBLÈME

SOLUTION

-
- | | |
|--|---|
| 1. Les lamellos ne s'adaptent pas dans les rainures. Les lamellos ne tenant pas dans les fentes peuvent également causer un mauvais alignement des planches à assembler. | A. Les rainures à lamellos sont trop ou pas assez profondes. Effectuer un réglage de profondeur fin. Voir Réglages fins .
B. L'épaisseur des lamellos peut être en hors tolérances. Comprimer les lamellos dans un étau s'ils sont trop épais.
C. Vérifier que les lamellos sont de la taille correcte pour les rainures pratiquées : n° 0, n° 10, n° 20.
D. Regarder si les lamellos ont été mouillés et s'ils ont gonflé. |
| 2. La sciure commence à s'accumuler sur le devant de l'outil. | A. Le système de dépoussiérage ne fonctionne pas correctement. Le sac à sciure peut être plein. Vider le sac à sciure fréquemment. Voir Installation/retrait du sac à sciure .
B. Le tunnel de la base peut être obstrué et empêchant l'aspiration de la sciure dans le sac. Déposer les bases avant et arrière et nettoyer la lame, la platine, les fentes de la base et les zones avoisinantes. Voir Nettoyage de la base et dupassage de sciure . |
| 3. La lame devient difficile à pousser lors de la coupe des rainures. La lame ne se rétracte pas correctement lors de la coupe des rainures. | A. Les particules de sciure et la résine se sont accumulées sur les fentes de la base et dans les zones avoisinantes. Déposer les bases avant et arrière et nettoyer la lame, la platine, les fentes de la base et les zones avoisinantes. Appliquer une couche fine de graisse universelle dans les fentes ou sur la platine où la base glisse. Voir Nettoyage de la base et dupassage de sciure . |
| 4. La performance de coupe est médiocre et il y a perte de puissance ou calage du moteur pendant la coupe des fentes. | A. La lame est émoussée. Remplacer la lame. Voir Remplacement de la lame .
B. La résine s'est accumulée sur la lame. Retirer la lame et la nettoyer avec un produit pour résine et gommés. Voir Remplacement de la lame . |
-

REGLAS DE SEGURIDAD GENERALES



ADVERTENCIA:

Lea y comprenda todas las instrucciones. El incumplimiento de las instrucciones señaladas abajo puede causar descargas eléctricas, incendios y lesiones serias.

GUARDE ESTAS INSTRUCCIONES

ÁREA DE TRABAJO

- **Mantenga limpia y bien iluminada el área de trabajo.** Una mesa de trabajo mal despejada y una mala iluminación son causas comunes de accidentes.
- **No utilice herramientas motorizadas en atmósferas explosivas, como las existentes alrededor de líquidos, gases y polvos inflamables.** Las herramientas eléctricas generan chispas que pueden encender el polvo y los vapores inflamables.
- **Mantenga alejados a los circunstantes, niños y demás presentes al utilizar una herramienta eléctrica.** Toda distracción puede causar la pérdida del control de la herramienta.

SEGURIDAD EN EL MANEJO DE EQUIPO ELÉCTRICO

- **Las herramientas con aislamiento doble están equipadas de una clavija polarizada (una patilla es más ancha que la otra). Esta clavija encaja de una sola forma en una toma de corriente polarizada. Si la clavija no encaja completamente en la toma de corriente, invierta la clavija. Si aún así no encaja, comuníquese con un electricista calificado para que instale una toma de corriente polarizada. No modifique la clavija de ninguna manera.** Con el aislamiento doble se elimina la necesidad de usar cables de tres conductores y conexión a tierra, así como de sistemas de alimentación eléctrica con conexión a tierra.
- **Evite el contacto del cuerpo con objetos conectados a tierra, como las tuberías, radiadores, estufas y refrigeradores.** Existe un mayor riesgo de descargas eléctricas si su cuerpo está en contacto con tierra.
- **No exponga las herramientas eléctricas a la lluvia ni a condiciones de humedad.** La introducción de agua en una herramienta eléctrica aumenta el riesgo de descargas eléctricas.
- **No maltrate el cordón eléctrico. Nunca use el cordón eléctrico para portar las herramientas ni para sacar la clavija de una toma de corriente. Mantenga el cordón alejado del calor, del aceite, de bordes afilados y de piezas móviles. Cambie de inmediato todo cordón eléctrico dañado.** Los cordones eléctricos dañados aumentan el riesgo de descargas eléctricas.
- **Al utilizar una herramienta eléctrica en el exterior, utilice un cordón eléctrico de extensión que lleve las marcas "W-A" o "W".** Estos cordones eléctricos están aprobados para el uso en exteriores y reducen el riesgo de descargas eléctricas.

SEGURIDAD PERSONAL

- **Permanezca alerta, preste atención a lo que esté haciendo y aplique el sentido común al utilizar herramientas eléctricas. No utilice la herramienta si está cansado o se encuentra bajo los efectos de alguna droga, alcohol o medicamento.** Un momento de inatención al utilizar una herramienta eléctrica puede causar lesiones corporales serias.
- **Vístase adecuadamente. No vista ropas holgadas ni joyas. Recójase el cabello si está largo. Mantenga el cabello, la ropa y los guantes alejados de las piezas móviles.** Las ropas holgadas, las joyas y el cabello largo pueden engancharse en las piezas móviles.
- **Evite el arranque accidental de la unidad. Asegúrese de que el interruptor esté en la posición de apagado antes de conectar la herramienta.** Llevar las herramientas con el dedo en el interruptor, o conectarlas con el interruptor puesto, es causa común de accidentes.
- **Retire toda llave o herramienta de ajuste antes de encender la herramienta eléctrica.** Toda llave o herramienta de ajuste dejada en una pieza giratoria de la herramienta eléctrica puede causar lesiones corporales.
- **No estire el cuerpo para alcanzar mayor distancia. Mantenga una postura firme y buen equilibrio en todo momento.** La postura firme y el buen equilibrio permiten un mejor control de la herramienta en situaciones inesperadas.
- **Use equipo de seguridad. Siempre póngase protección ocular.** Cuando lo exijan las circunstancias debe ponerse careta contra el polvo, zapatos de seguridad antiderrapantes, casco o protección auditiva.
- **No vista ropas holgadas ni joyas. Recójase el cabello si está largo.** Las ropas holgadas y las joyas, así como el cabello largo, pueden resultar atraídas hacia el interior de las aberturas de ventilación.
- **No utilice la unidad al estar en una escalera o en un soporte inestable.** Una postura estable sobre una superficie sólida permite un mejor control de la herramienta en situaciones inesperadas.

EMPLEO Y CUIDADO DE LA HERRAMIENTA

- **Utilice prensas o cualquier otro medio práctico de asegurar y sostener la pieza de trabajo en una plataforma segura.** Sostener la pieza con la mano o contra el cuerpo es inestable y puede causar una pérdida de control.
- **No fuerce la herramienta. Utilice la herramienta adecuada al trabajo.** La herramienta adecuada efectúa el trabajo mejor y de manera más segura, si además se maneja a la velocidad para la que está diseñada.
- **No utilice la herramienta si el interruptor no enciende o no apaga.** Una herramienta que no pueda controlarse con el interruptor es peligrosa y debe repararse.
- **Desconecte la clavija de la toma de corriente antes de efectuar ajustes, cambiar accesorios o guardar la herramienta.** Con tales medidas preventivas de seguridad se reduce el riesgo de poner en marcha accidentalmente la herramienta.

REGLAS DE SEGURIDAD GENERALES

- **Guarde las herramientas que no estén en uso fuera del alcance de los niños y de toda persona no capacitada en el uso de las mismas.** Las herramientas son peligrosas en manos de personas no capacitadas en el uso de las mismas.
- **Proporcione mantenimiento con cuidado a las herramientas. Mantenga las herramientas de corte afiladas y limpias.** Las herramientas de corte bien cuidadas, con bordes bien afilados, tienen menos probabilidad de atascarse en la pieza de trabajo y son más fáciles de controlar.
- **Revise para ver si hay desalineación o atoramiento de piezas móviles, ruptura de piezas o toda otra condición que pueda afectar el funcionamiento de la herramienta. Si se daña la herramienta, llévela a servicio antes de volver a utilizarla.** Numerosos accidentes son causados por herramientas mal cuidadas.
- **Sólo utilice accesorios recomendados por el fabricante para cada modelo en particular.** Accesorios que pueden ser adecuados para una herramienta pueden significar un riesgo de lesiones si se emplean con otra herramienta.
- **Mantenga la herramienta y el mango secos, limpios y sin aceite ni grasa.** Siempre utilice un paño limpio para la limpieza de la unidad. Nunca utilice fluidos para frenos, gasolina, productos a base de petróleo ni solventes fuertes para limpiar la herramienta. Con el cumplimiento de esta regla se reduce el riesgo de una pérdida de control y el deterioro del alojamiento de plástico de la unidad.

SERVICIO




- **El servicio de la herramienta sólo debe ser efectuado por personal de reparación calificado.** Todo servicio o mantenimiento efectuado por personal no calificado puede significar un riesgo de lesiones.
- **Al dar servicio a una herramienta, sólo utilice piezas de repuesto idénticas. Siga las instrucciones señaladas en la sección Mantenimiento de este manual.** El empleo de piezas no autorizadas o el incumplimiento de las instrucciones de mantenimiento puede significar un riesgo de descarga eléctrica o de lesiones.

REGLAS DE SEGURIDAD ESPECÍFICAS






- **Sujete la herramienta por las superficies aisladas de sujeción al efectuar una operación en la cual la herramienta de corte pueda entrar en contacto con cables ocultos o con su propio cordón eléctrico.** Todo contacto de una herramienta de corte con un cable cargado carga las piezas metálicas expuestas de la herramienta y da una descarga eléctrica al operador.
- **Familiarícese con su herramienta eléctrica. Lea cuidadosamente el manual del operador. Aprenda sus usos y limitaciones, así como los posibles peligros específicos de esta herramienta.** Con el cumplimiento de esta regla se reduce el riesgo de una descarga eléctrica, incendio o lesión seria.
- **Siempre póngase protección ocular con protección lateral con la marca de cumplimiento de la norma ANSI Z87.1.** Con el cumplimiento de esta regla se reduce el riesgo de lesiones corporales serias.
- **Protéjase los pulmones. Use una careta o mascarilla contra el polvo si la operación genera mucho polvo.** Con el cumplimiento de esta regla se reduce el riesgo de lesiones corporales serias.
- **Protéjase los oídos. Durante períodos prolongados de utilización del producto, póngase protección para los oídos.** Con el cumplimiento de esta regla se reduce el riesgo de lesiones corporales serias.
- **Inspeccione periódicamente los cordones eléctricos de las herramientas, y si están dañados, permita que los reparen en el centro de servicio autorizado más cercano de la localidad. Observe constantemente la ubicación del cordón eléctrico.** Con el cumplimiento de esta regla se reduce el riesgo de una descarga eléctrica o incendio.
- **Inspeccione las piezas dañadas. Antes de seguir utilizando la herramienta, es necesario inspeccionar cuidadosamente toda protección o pieza dañada para determinar si funcionará correctamente y desempeñará la función a la que está destinada. Verifique la alineación de las partes móviles, que no haya atoramiento de partes móviles, que no haya piezas rotas, el montaje de las piezas y cualquier otra condición que pudiera afectar su funcionamiento. Toda protección o pieza que esté dañada debe repararse apropiadamente o reemplazarse en un centro de servicio autorizado.** Con el cumplimiento de esta regla se reduce el riesgo de una descarga eléctrica, incendio o lesión grave.
- **Asegúrese de que esté en buen estado el cordón de extensión. Al utilizar un cordón de extensión, utilice uno del suficiente calibre para soportar la corriente que consume el producto. Se recomienda que los conductores sean de calibre 14 (A.W.G.) por lo menos para un cordón de extensión de 50 pies (15 metros) de largo o menos. No se recomienda utilizar un cordón con más de 100 pies (30 metros) de largo. Si tiene dudas, utilice un cordón del calibre más grueso siguiente. Cuanto menor es el número de calibre, mayor es el grueso del cordón.** Un cordón de un calibre insuficiente causa una caída en el voltaje de línea, y produce recalentamiento y pérdida de potencia.
- **Inspeccione la madera y elimine todos los clavos presentes en la misma antes de usar esta herramienta.** Con el cumplimiento de esta regla se reduce el riesgo de lesiones corporales serias.
- **Guarde estas instrucciones.** Consúltelas con frecuencia y empléelas para instruir a otras personas que puedan utilizar esta herramienta. Si presta a alguien esta herramienta, facilítele también las instrucciones.

SÍMBOLOS

Las siguientes palabras de señalización y sus significados tienen el objeto de explicar los niveles de riesgo relacionados con este producto.

SÍMBOLO	SEÑAL	SIGNIFICADO
	PELIGRO:	Indica una situación peligrosa inminente, la cual, si no se evita, causará la muerte o lesiones serias.
	ADVERTENCIA:	Indica una situación peligrosa posible, la cual, si no se evita, podría causar la muerte o lesiones serias.
	PRECAUCIÓN:	Indica una situación potencialmente peligrosa la cual, si no se evita, puede causar lesiones leves o moderadas.
	AVISO:	(Sin el símbolo de alerta de seguridad) Indica información importante no relacionada con ningún peligro de lesiones, como una situación que puede ocasionar daños físicos.

Es posible que se empleen en este producto algunos de los siguientes símbolos. Le suplicamos estudiarlos y aprender su significado. Una correcta interpretación de estos símbolos le permitirá utilizar mejor y de manera más segura el producto.

SÍMBOLO	NOMBRE	DENOMINACIÓN/EXPLICACIÓN
	Alerta de seguridad	Indica un peligro posible de lesiones personales.
	Lea el manual del operador	Para reducir el riesgo de lesiones, el usuario debe leer y comprender el manual del operador antes de usar este producto.
	Póngase protección ocular	Siempre póngase la protección ocular con protección lateral marcada conforme al ANSI Z87.1.
	Alerta de condiciones húmedas	No exponga la unidad a la lluvia ni la use en lugares húmedos.
V	Volts	Voltaje
A	Amperes	Corriente
Hz	Hertz	Frecuencia (ciclos por segundo)
min	Minutos	Tiempo
~	Corriente alterna	Tipo de corriente
n _o	Velocidad en vacío	Velocidad de rotación, en vacío
	Fabricación Clase II	Fabricación con doble aislamiento
.../min	Por minuto	Revoluciones, carreras, velocidad superficial, órbitas, etc., por minuto

ASPECTOS ELÉCTRICOS

DOBLE AISLAMIENTO

El doble aislamiento es una característica de seguridad de las herramientas eléctricas, la cual elimina la necesidad de usar el típico cordón eléctrico de tres conductores con conexión a tierra. Todas las partes metálicas expuestas están aisladas de los componentes metálicos internos del motor por medio de aislamiento de protección. No es necesario conectar a tierra las herramientas con doble aislamiento.

ADVERTENCIA:

El sistema de doble aislamiento está destinado a proteger al usuario contra las descargas eléctricas resultantes de la ruptura del aislamiento interno de la producto. Observe todas las precauciones de seguridad para evitar descargas eléctricas.

NOTA: El mantenimiento de una producto con doble aislamiento requiere sumo cuidado y conocimiento del sistema, y únicamente deben realizarlo técnicos de servicio calificados. Para el servicio de la producto, le sugerimos llevarla al centro de servicio autorizado más cercano para toda reparación. Siempre utilice piezas de repuesto de la fábrica original al dar servicio a la unidad.

CONEXIÓN ELÉCTRICA

Esta herramienta dispone de un motor eléctrico fabricado con precisión. Debe conectarse únicamente a **una línea de voltaje de 120 Volts, de corr. alt. solamente (corriente normal para uso doméstico), 60 Hertz**. No utilice esta producto con corriente continua (c.c.). Una caída considerable de voltaje causa una pérdida de potencia y el recalentamiento del motor. Si la producto no funciona al conectarla en una toma de corriente, vuelva a verificar el suministro de voltaje.

CORDONES DE EXTENSIÓN

Al utilizar una herramienta eléctrica a una distancia considerable de la fuente de voltaje, asegúrese de utilizar un cordón de extensión con la suficiente capacidad para soportar la corriente de consumo de la herramienta. Un cordón de un calibre insuficiente causa una caída en el voltaje de línea, la cual a su vez produce recalentamiento y pérdida de potencia. Básese en la tabla suministrada para determinar el grueso mínimo requerido del cordón de extensión. Solamente deben utilizarse cordones con forro redondo registrados en Underwriter's Laboratories (UL).

Al trabajar a la intemperie con una producto, utilice un cordón de extensión fabricado para uso en el exterior. Este tipo de cordón lleva las letras "W-A" o "W" en el forro.

Antes de utilizar un cordón de extensión, inspecciónelo para ver si tiene conductores flojos o expuestos y aislamiento cortado o gastado.

**Amperaje (aparece en la placa de datos de la producto)

Longitud del cordón	Calibre conductores (A.W.G.)					
	0-2,0	2,1-3,4	3,5-5,0	5,1-7,0	7,1-12,0	12,1-16,0
25'	16	16	16	16	14	14
50'	16	16	16	14	14	12
100'	16	16	14	12	10	—

**Se usa en los circuitos de calibre 12, 20 amp.

NOTA: AWG = American Wire Gauge

ADVERTENCIA:

Mantenga el cordón de extensión fuera del área de trabajo. Al trabajar con una herramienta eléctrica, coloque el cordón de tal manera que no pueda enredarse en la madera, herramientas ni en otras obstrucciones. La inobservancia de esta advertencia puede causar lesiones serias.

ADVERTENCIA:

Inspeccione los cordones de extensión cada vez antes de usarlos. Si están dañados reemplácelos de inmediato. Nunca utilice la producto con un cordón dañado, ya que si toca la parte dañada puede producirse una descarga eléctrica, y las consecuentes lesiones serias.

CARACTERÍSTICAS

ESPECIFICACIONES DEL PRODUCTO

Ajustes al ángulo de la guía..... 0-135°
Profundidad de corte 0-14 mm (0-9/16 pulg.)
Longitud del cordón 3 m (10 pies)
Hoja 101,6 mm (4 pulg.)

FAMILIARÍCESE CON LA ENGALLETADORA

Vea la figura 1, página 17.

Para usar este producto con la debida seguridad se debe comprender la información indicada en la herramienta misma y en este manual, y se debe comprender también el trabajo que intenta realizar. Antes de usar este producto, familiarícese con todas las características de funcionamiento y normas de seguridad del mismo.

GUÍA AJUSTABLE

La engalletadora dispone de una guía ajustable para fijar el ángulo de 0° a 135°, con topes en incrementos de 45°. La altura de la guía puede fijarse entre 0 y 2 pulg. (de 0 a 5.1 cm).

La guía ajustable siempre debe utilizarse para guiar y equilibrar la engalletadora, para facilitar el manejo y mantener el control.

ESCALA DE AJUSTE DE ÁNGULO

El ángulo de la guía ajustable de la engalletadora puede fijarse de 0° a 135°.

GALLETAS

Las galletas se inchan rápidamente al tocar pegamentos para carpintería a base de agua. Vienen en tres tamaños estándar:

#0	(5/8 pulg. x 1-13/16 pulg.)
#10	(13/16 pulg. x 2-1/16 pulg.)
#20	(15/16 pulg. x 2-5/16 pulg.)

Esta engalletadora incluye 20 galletas #10.

HOJA DE CORTE CON PUNTAS DE CARBURO

La engalletadora tiene una hoja de corte de 8 dientes con puntas de carburo para cortar las ranuras para las galletas.

PERILLA DE AJUSTE DE PROFUNDIDAD

Hay una perilla de ajuste de profundidad de resorte para efectuar los ajustes necesarios para galletas de tres tamaños estándar.

Velocidad en vacío 10 000 rev./min.
Corriente de entrada 120 V, 60 Hz, sólo corr. alt., 6,0 A
Peso neto 3,8 kg (8,4 lb.)

MANGO DE DOBLE POSICIÓN

El mango de doble posición ofrece dos posiciones de sujeción alternativas para comodidad del operador.

SACO CAPTAPOLVO

Durante las operaciones de corte, las partículas de madera se succionan a través de un túnel situado en la base y se recolectan en el saco captapolvo. El saco captapolvo puede desmontarse para fijar una manguera de aspiradora de 1-1/4 pulg. en la abertura de salida de aserrín.

PERILLA DE AJUSTE DE ALTURA

La perilla de ajuste de altura sube o baja la guía ajustable para ajustar la altura de la guía a partir del centro de la hoja.

ESCALA DE AJUSTE DE ALTURA

La escala situada a ambos lados de la guía indica la altura de la guía a partir del centro del espesor de la hoja de corte.

INDICADOR DE LA LÍNEA DE CORTE

La línea central y las marcas indicadoras del corte ayudan al operador a realizar cortes más precisos.

PERILLA DE FIJACIÓN

La perilla de fijación sirve para aflojar la guía ajustable y permite el movimiento de la perilla de ajuste de altura.

SUPERFICIE ANTIDESLIZANTE

La guía de la engalletadora dispone de una superficie antideslizante para evitar deslizamientos al usar la unidad. También impide estropear la superficie de la pieza de trabajo al efectuar cortes.

GATILLO DEL INTERRUPTOR

La engalletadora dispone de un interruptor de encendido convenientemente situado en la parte inferior de doble posición.

ARMADO

ADVERTENCIA:

No use este producto si no está totalmente ensamblado o si alguna pieza falta o está dañada. El uso de un producto que no está adecuadamente y completamente ensamblado o posee partes dañadas o faltantes puede resultar en lesiones personales graves.

ADVERTENCIA:

No intente modificar este producto ni crear aditamentos o accesorios que no estén recomendados para usar con este producto. Dichas alteraciones o modificaciones constituyen un uso indebido y podrían provocar una situación de riesgo que cause posibles lesiones personales graves.

Si hay piezas dañadas o faltantes, le suplicamos llamar al 1-800-525-2579, donde le brindaremos asistencia.

CALIFORNIA - PROPUESTA DE LEY NÚM. 65

ADVERTENCIA:

Este producto y algunos polvos generados al efectuarse operaciones de lijado, aserrado, esmerilado, taladrado y otras actividades de la construcción, contienen sustancias químicas reconocidas por el estado de California como causantes de cáncer, defectos congénitos y otras afecciones del aparato reproductor. Lávese las manos después de utilizar el aparato.

Algunos ejemplos de estas sustancias químicas son:

- plomo de las pinturas a base de plomo,
- sílice cristalino de los ladrillos, del cemento y de otros productos de albañilería, y
- arsénico y cromo de la madera químicamente tratada.

El riesgo de la exposición a estos compuestos varía, según la frecuencia con que se realice este tipo de trabajo. Para reducir la exposición personal, trabaje en áreas bien ventiladas, y con equipo de seguridad aprobado, tal como las caretas para el polvo especialmente diseñadas para filtrar partículas microscópicas.

FUNCIONAMIENTO

ADVERTENCIA:

No permita que su familiarización con las herramientas lo vuelva descuidado. Tenga presente que un descuido de un instante es suficiente para causar una lesión grave.

ADVERTENCIA:

Siempre póngase la protección ocular con protección lateral marcada conforme al ANSI Z87.1. Si no cumple esta advertencia, los objetos que salen despedidos pueden producirle lesiones serias en los ojos.

APLICACIONES

Esta herramienta puede emplearse para los fines enumerados abajo:

- Corte preciso de ranuras ovaladas iguales en madera dura, suave, contrachapada y aglomerada

MONTAJE Y DESMONTAJE DEL SACO CAPTAPOLVO

Vea la figura 2, página 17.

El saco captapolvo, situado en la parte trasera de la engalletadora, constituye el sistema de captación de polvo de la misma. Durante las operaciones de corte, las partículas de madera se succionan a través de la base y se recolectan en el saco captapolvo. Para lograr un desempeño eficiente de la unidad, vacíe el saco captapolvo cuando esté lleno a la mitad.

Para instalar el saco captapolvo, desconecte la engalletadora y introduzca el adaptador del mismo en la abertura de salida de aserrín. Para quitar el saco captapolvo, sujete el adaptador y tire del saco alejándolo de la engalletadora.

CONEXIÓN DE LA ENGALLETADORA A UNA ASPIRADORA

Vea la figura 3, página 17.

El saco captapolvo puede desmontarse para fijar una manguera de aspiradora de 1-1/4 pulg. en la abertura de salida de aserrín.

- Desconecte la engalletadora.

FUNCIONAMIENTO

- Retire el saco captapolvo.
- Conecte la manguera de la aspiradora en la abertura de salida de aserrín.
- Conecte la engalletadora y la aspiradora al suministro de corriente.



ADVERTENCIA:

Cuando la herramienta no esté conectada a una aspiradora, siempre vuelva a instalarle el saco captapolvo. La inobservancia de esta advertencia puede causar el lanzamiento de aserrín u objetos extraños a cara o a los ojos, con las consiguientes posibles lesiones serias.

ENSAMBLAJE CON RANURAS Y LENGÜETAS

El ensamblaje mediante ranuras y lengüetas es uno de los métodos de unión más sólidos que se emplean en carpintería. Al aplicarse pegamento a la lengüeta y al área de unión de las piezas de madera que están pegándose, una gran superficie recibe las propiedades adhesivas del pegamento. Esto forma una unión muy resistente.

En la unión tradicional mediante ranuras y lengüetas se requiere cortar ranuras con una fresadora o una sierra de mesa. Después se requiere cortar pequeñas tiras de madera, denominadas lengüetas, para insertarlas en las ranuras para que sirvan de elementos de unión.

En los métodos modernos de ensamblaje mediante óvalos o galletas se utiliza una engalletadora para cortar con precisión ranuras ovaladas iguales en las tablas que van a pegarse adyacentemente. Esta engalletadora es una herramienta rápida, sencilla y precisa de corte por penetración que puede utilizarse para cortar ranuras en madera dura, suave, contrachapada, de partículas aglomeradas y otros tipos de madera prensada.

Después, unas tabletas ovaladas, denominadas galletas, se colocan dentro de las ranuras con pegamento y sirven para alinear las superficies adyacentes. Cuando se utiliza un pegamento a base de agua, las galletas se inchan en la ensambladura, y forman una unión extremadamente fuerte y firme. El pegamento blanco, amarillo, de carpintero, la cola de piel de vacuno y el pegamento de resina alifática son ejemplos de pegamentos a base de agua. Esta técnica de pegado ha quedado limitada tradicionalmente a las ensambladuras de canto a canto. No obstante, con su nueva engalletadora puede utilizar galletas para, con toda facilidad, realizar ensambladuras a tope, a inglete y en "T". Las ensambladuras con galletas pueden ser tan fuertes como las de caja y espiga, de ranura y lengüeta, de ranura estándar y de espigas cilíndricas. En la mayoría de los casos, primero se rompe el material existente alrededor de la galleta antes de que se rompa ésta. En una ensambladura con galleta, queda expuesta al pegamento un área mucho mayor, lo cual hace más resistentes las uniones.

Con la engalletadora pueden realizarse una variedad de ensambladuras con galleta. El número y tamaño de las galletas necesarias para cada ensambladura depende del

espesor de la madera y de la longitud de la ensambladura. En general, las galletas #0 deben utilizarse para cortes a inglete en materiales de 3/4 pulg. de espesor. Las galletas de mayor tamaño deben emplearse para ensambladuras por los cantos.

Al unir materiales de 1-1/2 pulg. de espesor, ponga dos galletas en columna, una arriba de la otra. Por ejemplo, aplique este método para unir madera lijada de 2 pulg. x 4 pulg. Al unir materiales de mayor espesor aún, utilice galletas adicionales, en columna, unas arriba de otras.

Al realizar ensambladuras por los cantos para cubiertas de mesas comunes o de trabajo, tablas de cortar para cocinas, etc., cuantas más galletas emplee, más resistente será la ensambladura.

ENCENDIDO Y APAGADO DE LA ENGALLETADORA

Vea la figura 4, página 17.

Para encender la engalletadora, oprima el gatillo del interruptor. Para apagar la engalletadora, suelte el gatillo del interruptor.

Al utilizar la engalletadora, sujete firmemente la herramienta con ambas manos. Mantenga una mano en el mango posterior y la otra en la guía para mantener estable la herramienta contra la pieza de trabajo.

Esta herramienta dispone de un mango posterior de doble posición que permite al operador escoger dos diferentes posiciones de la mano para usar la más cómoda.

PROFUNDIDAD DEL CORTE

La engalletadora puede ajustarse a tres profundidades de corte estándar para dar cabida a galletas de tres tamaños estándar: #0, #10 y #20. Los ajustes se efectúan engancho las ranuras de la perilla de ajuste de profundidad con las orejetas del conjunto de la base trasera. Por ejemplo, para utilizar una galleta de tamaño #0, gire la perilla de ajuste de profundidad a la ranura marcada con un "0". Para utilizar una galleta de tamaño #10, gire la perilla de ajuste de profundidad a la ranura marcada con un "10", y para utilizar una galleta de tamaño #20, gire dicha perilla a la ranura marcada con un "20".

AJUSTE DE LA PROFUNDIDAD DE CORTE

Vea la figura 5, página 17.

- Desconecte la engalletadora.
- Seleccione el ajuste de profundidad de corte adecuado al tamaño de galleta deseado. Para escoger la profundidad de corte, tire de la perilla moleteada de ajuste y de la contratuerca, en la dirección de la flecha mostrada en la figura 5.

NOTA: La perilla y la contratuerca tienen resorte. Al tirar de las mismas en la dirección de la flecha se aplica presión en el resorte y se reduce la presión en la perilla de ajuste de profundidad.

FUNCIONAMIENTO

- Gire la perilla de ajuste de profundidad hasta que la marca correspondiente a la ranura deseada se ajuste con las orejetas del conjunto de la base trasera.

FORMA DE EFECTUAR AJUSTES FINOS

Veá la figura 6, página 18.

Realice un corte de prueba en un pedazo de madera de desecho. Acomode una galleta de tamaño correcto en la ranura correspondiente. La ranura para la galleta debe tener la profundidad suficiente para permitir introducir un poco más de la mitad de la galleta. Este espacio extra permite alinear adecuadamente las piezas de madera que están uniéndose.

Si la ranura para la galleta está demasiado profunda o demasiado superficial, pueden efectuarse ajustes finos a la profundidad; para ello, afloje la perilla moleteada de ajuste y luego realice dichos ajustes finos con la contratuerca.

- Desconecte la engalletadora.
- Afloje la perilla moleteada de ajuste. Esta perilla se usa únicamente como tuerca de seguridad. Aflójela; para ello, gírela en la dirección opuesta a donde se encuentra la contratuerca.
- Para realizar un corte más superficial, gire la contratuerca hacia la derecha; si desea un corte más profundo, gírela hacia la izquierda.
- Una vez alcanzada la profundidad de corte deseada, sostenga la contratuerca de manera que no se salga de ajuste. En seguida apriete la perilla moleteada de ajuste contra la contratuerca.
- Vuelva a verificar el ajuste de profundidad; para ello, realice un corte de prueba en un pedazo de madera de desecho. También verifique periódicamente la precisión del ajuste de profundidad. Girando hacia la derecha la contratuerca se cortan ranuras más superficiales. Girando hacia la izquierda la contratuerca se cortan ranuras más profundas.

ALTURA DE LA GUÍA

La guía ajustable de la engalletadora puede subirse o bajarse para ajustar la posición de la hoja de corte en relación con la parte superior de la pieza de trabajo. La escala situada a ambos lados de la guía indica la altura de la guía a partir del centro del espesor de la hoja de corte. La guía puede situarse hasta a dos pulgadas del centro del espesor de la hoja. No obstante, la escala y el indicador sólo pueden ajustarse hasta 5,1 cm (2 pulg.) del centro del espesor de la hoja. Las marcas de la escala están en incrementos de 1,6 mm (1/16 pulg.).

AJUSTE DE LA ALTURA DE LA GUÍA

Veá la figura 7, página 18.

- Desconecte la engalletadora.
- Afloje aproximadamente una vuelta la perilla de fijación.

- Suba o baje la guía mediante un giro de la perilla de ajuste de altura hasta que el indicador quede alineado con la dimensión deseada de la escala.
- Apriete firmemente la perilla de fijación.

ÁNGULO DE LA GUÍA

El ángulo de la guía ajustable de la engalletadora puede fijarse de 0° a 135°, y hay topes precisos en incrementos de 45°. Hay una escala situada a ambos lados de la guía ajustable para identificar estos ángulos con tope. Cada tope alcanzado al girar la guía ajustable de un ángulo a otro, equivale a un cambio de 45°, de un tope de ángulo al siguiente.

AJUSTE DEL ÁNGULO DE LA GUÍA

Veá la figura 8, página 18.

- Desconecte la engalletadora.
- Afloje aproximadamente una vuelta la perilla de fijación.
- Gire la guía al ángulo deseado.
- Apriete firmemente la perilla de fijación.

FORMA DE HACER ENSAMBLADURAS POR LOS CANTOS

Veá las figuras 9 y 10, página 18.

Las ensambladuras por los cantos son las más básicas y fáciles de realizar.

- Desconecte la engalletadora.
- Prepare las piezas de trabajo; para ello, colóquelas lado a lado en una mesa de trabajo, en el orden en que serán ensambladas.
- Con una escuadra determine la ubicación de cada unión de ranura y galleta, y marque el centro de cada una trazando una línea a través de cada pieza de trabajo.
NOTA: Marque los cantos 2 pulg. (5 cm) a partir de los extremos de las piezas de trabajo. La unión será más fuerte si utiliza varias galletas colocadas unas cerca de las otras.

- Afloje aproximadamente una vuelta la perilla de fijación, y fije el ángulo de la guía a 90°.
- Fije la altura de la guía a la dimensión deseada indicada en la escala mediante un giro de la perilla de ajuste de altura.
NOTA: La escala indica la altura de la guía a partir del centro del espesor de la hoja de corte.
- Apriete firmemente la perilla de fijación.
- Seleccione el ajuste de profundidad de corte adecuado al tamaño de galleta deseado. Efectúe un corte de prueba en un pedazo de madera de desecho, de la misma pieza de trabajo si es posible.
- Sujete firmemente la pieza de trabajo con prensas de manera que no se mueva durante el trabajo.

FUNCIONAMIENTO

- Conecte la engalletadora en el suministro de corriente y prepárese para efectuar el primer corte. Sujete y sostenga firmemente con ambas manos la engalletadora.
 - Coloque la guía contra la tabla y alinee las marcas indicadoras de la guía con la(s) marca(s) de línea central de la tabla.
 - Oprima el gatillo del interruptor para encender la engalletadora. Permita a la hoja alcanzar su velocidad máxima, luego empuje ésta hacia adelante para introducir la hoja de corte en la madera.
 - Cuando el conjunto de la base llegue al fondo de la marca de la perilla de ajuste de la profundidad de corte tire hacia atrás, aliviando así la presión del resorte. La hoja de corte se retrae de la ranura para la galleta.
 - Repita este procedimiento para cortar todas las ranuras para galletas.
 - Una vez cortadas todas las ranuras, coloque una galleta en cada una y ensamble en seco las piezas de trabajo. Asegúrese de que cada ensambladura quede alineada y bien ajustada.
 - Finalmente, desensamble las piezas de trabajo y deposite una tira de pegamento en cada ranura. También, unte una tira de pegamento en toda la superficie de la ensambladura. Introduzca de nuevo las galletas y ensamble las piezas de trabajo.
 - Mantenga unidas con prensas las piezas de trabajo hasta que el pegamento solidifique.
- Apriete firmemente la perilla de fijación.
 - Seleccione el ajuste de profundidad de corte adecuado al tamaño de galleta deseado. Efectúe un corte de prueba en un pedazo de madera de desecho, de la misma pieza de trabajo si es posible.
 - Sujete firmemente la pieza de trabajo con prensas de manera que no se mueva durante el trabajo.
 - Conecte la engalletadora en el suministro de corriente y prepárese para efectuar su primer corte. Sujete y sostenga firmemente con ambas manos la engalletadora.
 - Coloque la guía contra la tabla y alinee las marcas indicadoras de la guía con la(s) marca(s) de línea central de la tabla.
 - Oprima el gatillo del interruptor para encender la engalletadora, y luego empuje ésta hacia adelante para introducir la hoja de corte en la madera.
 - Cuando el conjunto de la base llegue al fondo de la marca de la perilla de ajuste de la profundidad de corte tire hacia atrás, para aliviar la presión del resorte. La hoja de corte se retrae de la ranura para la galleta.
 - Repita este procedimiento para cortar la ranura en la pieza de trabajo compañera.
 - Una vez cortadas todas las ranuras, coloque una galleta en cada una y ensamble en seco las piezas de trabajo. Asegúrese de que cada ensambladura quede alineada y bien ajustada.
 - Finalmente, desensamble las piezas de trabajo y deposite una tira de pegamento en cada ranura. También, unte una tira de pegamento en toda la superficie de la ensambladura. Introduzca de nuevo las galletas y ensamble las piezas de trabajo, como se muestra en la figura 10.
 - Mantenga unidas con prensas las piezas de trabajo hasta que el pegamento solidifique.

ENSAMBLADURAS A TOPE

La ensambladura a tope se realiza uniendo el extremo cortado a contrahilo de una tabla con el lado cortado al hilo de otra. No es fuerte la unión lograda con el pegamento en este tipo de superficie. No obstante, utilizando galletas puede formarse una ensambladura resistente, con el efecto de la ensambladura de caja y espiga.

FORMA DE HACER ENSAMBLADURAS A TOPE

Vea las figuras 11 y 12, páginas 18 y 19.

- Desconecte la engalletadora.
- Coloque las dos piezas de madera por unir en una mesa de trabajo nivelada. Alineelas una con otra en la forma en que serán ensambladas.
- Con una escuadra determine la ubicación de cada unión de ranura y galleta, y marque el centro de cada una trazando una línea a través de los cantos de las dos tablas.
- Afloje la perilla de fijación y fije el ángulo de la guía a 90°.
- Fije la altura de la guía a la dimensión deseada indicada en la escala mediante un giro de la perilla de ajuste de altura.

NOTA: La escala indica la altura de la guía a partir del centro del espesor de la hoja de corte.

ENSAMBLADURAS A TOPE CON REMETIMIENTO

Vea la figura 12, página 19.

Con frecuencia los rieles de una mesa normal o de trabajo están remetidos con respecto a la parte frontal de las patas de la mesa. Cuando se requiere un remetimiento, es necesario cortar las ranuras de los rieles primero, y después reajustar la guía para cortar las ranuras de las patas.

Teniendo presente esta excepción, el procedimiento para realizar ensambladuras a tope con remetimiento es idéntico al de las normales.

Por ejemplo, si se desea un remetimiento de 1/4 pulg., se marcan las líneas centrales para realizar una ensambladura a tope como se mencionó en los procedimientos para las mismas, y se cortan las ranuras en los extremos de los rieles. En seguida, se sube la guía 1/4 pulg. al remetimiento deseado, y se cortan las ranuras en las patas.

ENSAMBLADURAS EN “T”

Vea la figura 13, página 19.

Una ensambladura en “T” es la unión del extremo de una tabla a la cara de otra, como se muestra en la figura 12. Las uniones de los entrepaños de un librero y las de las riostras interiores de soporte con las armazones son aplicaciones típicas de este tipo de ensambladura. En realidad, el corte de una ensambladura en “T” es tan sencillo como cualquier otro corte. No obstante, es de importancia crítica marcar las líneas centrales; marque los puntos de intersección de cada ranura y corte correctamente cada ranura.

FORMA DE HACER ENSAMBLADURAS EN “T”

Vea las figuras 14 y 15, página 19.

- Desconecte la engalletadora.
 - Coloque las dos piezas de madera por unir en una mesa de trabajo nivelada. La cara interior de la tabla vertical debe estar hacia arriba.
 - Determine la ubicación de cada ensambladura de galleta y marque las líneas centrales de cada tabla. Las líneas centrales correspondientes de ambas tablas deben quedar alineadas unas con otras. Mida cuidadosamente, ya que estas medidas deben ser precisas.
- NOTA:** Es mejor medir dos veces para cortar una sola vez. Además de quedar alineadas las líneas centrales, también debe coincidir el espaciamiento de las ranuras de lado a lado.
- Conecte la engalletadora en el suministro de corriente, sujete y sostenga firmemente con ambas manos la engalletadora y corte las ranuras en todas las tablas que requieran ranuras en los extremos.

Siga los procedimientos descritos en el apartado **Ensambladuras por los cantos**.

- Fije el ángulo de la guía a 90°.
- Fije la altura de la guía a la dimensión deseada indicada en la escala.
- Seleccione el ajuste de profundidad de corte adecuado al tamaño de galleta deseado.
- Sujete firmemente la pieza de trabajo con prensas, y después corte cada ranura en la intersección de las líneas centrales marcadas.

En seguida, debe ajustar la guía de la engalletadora con el fin de cortar las ranuras en la cara de la tabla vertical.

CORTE DE LAS TABLAS VERTICALES

Vea las figuras 16 y 17, página 19.

- Desconecte la engalletadora.
- Afloje la perilla de fijación y fije el ángulo de la guía a 0°.
- Fije la altura de la guía a la ajuste más alto (2 pulg.) mediante un giro de la perilla de ajuste de altura.
- Vuelva a apretar la perilla de fijación.

- Seleccione el ajuste de profundidad de corte adecuado al tamaño de galleta deseado.
- Fije firmemente con prensas la pieza de trabajo.
- Coloque la engalletadora en una tabla vertical, y alinee las marcas indicadoras del conjunto de la base con la línea central de la tabla vertical.
- Coloque una pieza recta de madera en la tabla vertical y sujétela firmemente dos tablas con prensas a ras contra el conjunto de la base. Esta pieza de madera se emplea como guía. Debe estar a escuadra con los lados de la tabla vertical y paralela con la línea central.
- Alinee la línea central de la parte inferior del conjunto de la base con la intersección de la ranura para la galleta.
- Conecte la engalletadora en el suministro de corriente, sujete y sostenga firmemente con ambas manos la engalletadora y prepárese para cortar la ranura.
- Oprima el gatillo del interruptor para encender la engalletadora, y luego empuje ésta hacia abajo para introducir la hoja de corte en la madera.
- Cuando el conjunto de la base llegue al fondo de la marca de la perilla de ajuste de la profundidad de corte tire hacia atrás, aliviando así la presión del resorte. La hoja de corte se retrae de la ranura para la galleta.
- Repita este procedimiento para cortar todas las ranuras requeridas en las tablas verticales.
- Una vez cortadas todas las ranuras, coloque una galleta en cada una y ensamble en seco las piezas de trabajo. Asegúrese de que cada ensambladura quede alineada y bien ajustada.
- Finalmente, desensamble las piezas de trabajo y deposite una tira de pegamento en cada ranura. También, pinte una tira de pegamento en toda la superficie de la ensambladura. Introduzca de nuevo las galletas y ensamble las piezas de trabajo.
- Mantenga unidas con prensas las piezas de trabajo hasta que el pegamento solidifique.

ENSAMBLADURAS A INGLETE

Vea las figuras 18 a 21, páginas 19 y 20.

Hay dos tipos de ensambladuras a inglete que pueden realizarse con galletas: planas y de canto. Las ensambladuras a inglete planas se emplean para marcos de cuadros. Las ensambladuras a inglete de canto se emplean al fabricar cajas u objetos en los cuales no se desea mostrar el extremo cortado a contrahilo de la madera.

FORMA DE HACER ENSAMBLADURAS A INGLETE PLANAS

Vea la figura 18, página 19.

- Desconecte la engalletadora.
- Coloque las piezas de madera por unir en una mesa de trabajo nivelada.

FUNCIONAMIENTO

- Con una escuadra de combinación trace una línea a través del centro de cada ensambladura, perpendicular a los bordes cortados a inglete.
- Fije el ángulo de la guía a 90°, fije la altura de la misma a la dimensión deseada de la escala, seleccione la marca de profundidad de corte apropiada para el tamaño de galleta que planee utilizar, y sujete firmemente con prensas la pieza de trabajo.
- Alinee la marca indicadora de la guía con la línea central de la pieza de trabajo.
- Conecte la engalletadora en el suministro de corriente, sujete y sostenga firmemente con ambas manos la engalletadora y prepárese para cortar la ranura.
- Oprima el gatillo del interruptor para encender la engalletadora, y luego empuje ésta hacia adelante para introducir la hoja de corte en la madera.
- Cuando el conjunto de la base llegue al fondo de la marca de la perilla de ajuste de la profundidad de corte tire hacia atrás, aliviando así la presión del resorte. La hoja de corte se retrae de la ranura para la galleta.
- Repita este procedimiento para cortar la ranura compañera y todas las ranuras requeridas de la ensambladura a inglete.
- Una vez cortadas todas las ranuras, coloque una galleta en cada una y ensamble en seco las piezas de trabajo. Asegúrese de que cada ensambladura quede alineada y bien ajustada.
- Finalmente, desensamble las piezas de trabajo y deposite una tira de pegamento en cada ranura. También, unte una tira de pegamento en toda la superficie de la ensambladura. Introduzca de nuevo las galletas y ensamble las piezas de trabajo.
- Mantenga unidas con prensas las piezas de trabajo hasta que el pegamento solidifique.
- Apriete firmemente la perilla de fijación.
- Coloque la engalletadora en la pieza de trabajo, con la guía ajustable descansando en el lado de la pieza de trabajo. La base o la guía vertical debe estar contra el borde cortado a inglete de la pieza de trabajo.
- Vuelva a revisar el ajuste de la altura de la guía, para asegurarse de no cortar de lado a lado la pieza de trabajo.
- Alinee la marca indicadora de la guía con la línea central de la pieza de trabajo. Asegúrese de que la base o la guía vertical esté abatida a presión contra el borde cortado a inglete de la pieza de trabajo.
- Conecte la engalletadora en el suministro de corriente, sujete y sostenga firmemente con ambas manos la engalletadora y prepárese para cortar la ranura.
- Oprima el gatillo del interruptor para encender la engalletadora, y luego empuje ésta hacia adelante para introducir la hoja de corte en la madera.
- Cuando el conjunto de la base llegue al fondo de la marca de la perilla de ajuste de la profundidad de corte tire hacia atrás, aliviando así la presión del resorte. La hoja de corte se retrae de la ranura para la galleta.
- Repita este procedimiento para cortar la ranura compañera y todas las ranuras requeridas de la ensambladura a inglete.
- Una vez cortadas todas las ranuras, coloque una galleta en cada una y ensamble en seco las piezas de trabajo. Asegúrese de que cada ensambladura quede alineada y bien ajustada.
- Finalmente, desensamble las piezas de trabajo y deposite una tira de pegamento en cada ranura. También, unte una tira de pegamento en toda la superficie de la ensambladura. Introduzca de nuevo las galletas y ensamble las piezas de trabajo.
- Mantenga unidas con prensas las piezas de trabajo hasta que el pegamento solidifique.

FORMA DE HACER ENSAMBLADURAS A INGLETE DE CANTO

Vea las figuras 19 a 21, páginas 19 y 20.

- Desconecte la engalletadora.
- Coloque las piezas de madera por unir en una mesa de trabajo nivelada.
- Marque la línea central de la ensambladura en cada tabla.
- Al realizar ensambladuras a inglete de canto con piezas de trabajo de diferente espesor, sujételas firmemente con prensas a la mesa de trabajo con los lados largos hacia arriba. De esta manera se asegura que correspondan las superficies exteriores.
- Afloje la perilla de fijación y fije el ángulo de la guía a 135°.
- Fije la altura de la guía a la dimensión deseada indicada en la escala mediante un giro de la perilla de ajuste de altura.

Si las piezas de trabajo son del mismo espesor, sujételas firmemente con prensas a la mesa de trabajo con los lados cortos hacia arriba. Fije el ángulo de la guía a 45°. Coloque la engalletadora en la pieza de trabajo con la guía ajustable descansando en el lado corto de aquella, y ponga la base o la guía vertical contra el canto cortado a inglete de la pieza de trabajo. Siga los pasos descritos arriba para cortar las ranuras requeridas.

NOTA: Antes de cortar las ranuras, asegúrese de que la hoja de corte no vaya a cortar la pieza de lado a lado, y de que tanto la guía vertical como la horizontal estén abatidas a presión contra el canto cortado a inglete y estén de cara hacia la pieza de trabajo.

MANTENIMIENTO

ADVERTENCIA:

Al dar servicio a la unidad, sólo utilice piezas de repuesto idénticas. El empleo de piezas diferentes podría presentar un peligro o causar daños al producto.

ADVERTENCIA:

Siempre póngase la protección ocular con protección lateral marcada conforme al ANSI Z87.1. Si no cumple esta advertencia, los objetos que salen despedidos pueden producirle lesiones serias en los ojos.

MANTENIMIENTO GENERAL

Evite el empleo de solventes al limpiar piezas de plástico. La mayoría de los plásticos son susceptibles a diferentes tipos de solventes comerciales y pueden resultar dañados. Utilice paños limpios para eliminar la suciedad, el polvo, el aceite, la grasa, etc.

ADVERTENCIA:

No permita en ningún momento que fluidos para frenos, gasolina, productos a base de petróleo, aceites penetrantes, etc., lleguen a tocar las piezas de plástico. Los productos químicos pueden dañar, debilitar o destruir el plástico, lo cual podría causar lesiones serias.

Las herramientas eléctricas que se utilizan en materiales de fibra de vidrio, paneles de yeso para paredes, compuestos de resanar o yeso, están sujetas a desgaste acelerado y posible fallo prematuro porque las partículas y limaduras de fibra de vidrio son altamente abrasivas para los cojinetes, escobillas, conmutadores, etc. Por consiguiente, no recomendamos el uso de esta herramienta durante períodos prolongados de trabajo en estos tipos de materiales. Sin embargo, si usted trabaja con cualquiera de estos materiales, es sumamente importante limpiar la herramienta con aire comprimido.

LUBRICACIÓN

Todos los cojinetes de esta herramienta están lubricados con suficiente cantidad de aceite de alta calidad para toda la vida útil de la unidad en condiciones normales de funcionamiento. Por lo tanto, no se necesita lubricación adicional.

REEMPLAZO DEL CORDÓN DE CORRIENTE

Un centro de servicio autorizado deben cambiar el cordón de corriente, en caso de que sea necesario, para evitar peligros.

REEMPLAZO DE LA HOJA

Veá las figuras 22 a 24, página 20.

Después de un uso prolongado, la hoja de corte de la engalletadora puede desafilarse y necesitar cambiarse. Si por accidente la hoja toca un clavo o cualquier otro objeto duro, se rompen las puntas de carburo, lo cual requiere el reemplazo de aquélla.

- Desconecte la engalletadora.
- Retire el saco captapolvo.
- Coloque la engalletadora en posición invertida sobre el banco de trabajo.
- Con un destornillador retire los cuatro tornillos y arandelas a cargo de conectar la zapata a la parte frontal de los conjuntos traseros. Retire la zapata.
- Coloque un destornillador en orificio de la placa de apoyo.
- Coloque uno los dientes no cortantes situados detrás de cada diente cortante con punta de carburo contra el destornillador o pasador para impedir el giro de la hoja. **NO** bloquee la hoja usando uno de los dientes de corte. Se rompen las puntas de carburo.
- Con una llave hexagonal de 3/16 pulg. retire el tornillo de la hoja.

NOTA: Gire el tornillo de la hoja hacia la izquierda para retirar la tornillo.

- Retire la arandela exterior de la hoja, la hoja y la arandela interior.
- Limpie las partículas de madera y resina presentes en las arandelas de la hoja, área del saco captapolvo, ranuras de los conjuntos de las bases y áreas circundantes.
- Coloque la arandela exterior de la hoja en el husillo del engranaje.
- Coloque la nueva hoja en el hombro de la arandela de la misma y asegúrela con la arandela exterior y el tornillo correspondientes.

NOTA: El tornillo de la hoja entra en el lado cóncavo de la arandela exterior de la hoja.

NOTA: Los dientes de la hoja apuntan hacia la derecha de la herramienta cuando se sostiene ésta en la posición de funcionamiento. El sentido de rotación aparece marcado en la hoja de la engalletadora. Una flecha situada en la parte inferior del conjunto de la base delantera también indica el sentido de rotación.

- Coloque un destornillador o un pasador en uno de los dos orificios de la placa de apoyo y bloquee la hoja para impedir su movimiento de giro.
- Gire hacia la derecha el tornillo de la hoja y apriételo firmemente con la llave hexagonal.
- Vuelva a instalar la zapata.
- Vuelva a colocar los arandelas y tornillos y apriételos firmemente con un destornillador.
- Vuelva a instalar el saco captapolvo.

LIMPIEZA DEL CONJUNTO DE LA BASE Y DEL CONDUCTO DEL ASERRÍN

Vea las figuras 25 a 27, páginas 20 y 21.

Después de un uso prolongado, pueden acumularse partículas de madera y resina dentro del conjunto de la base de la engalletadora, obstaculizando el paso de subsiguientes partículas hacia el interior del saco captapolvo. Las partículas de madera acumuladas en esta área no sólo anulan la característica de ausencia de aserrín de la engalletadora, sino que también hace más difícil el corte de las ranuras para galletas.

- Desconecte la engalletadora.
- Retire el saco captapolvo.
- Coloque la engalletadora en posición invertida sobre el banco de trabajo.
- Con un destornillador retire los cuatro tornillos y arandelas a cargo de asegurar la zapata. Retire la zapata.
- Retire la hoja. Vea la sección **Reemplazo de la hoja**.
- Teniendo la hoja ya quitada, coloque la engalletadora con el lado derecho hacia arriba. Con unas pinzas de punta de aguja estire y suelte los resortes de las orejetas de la placa de apoyo.
- Con un destornillador retire los dos tornillos a cargo de conectar el conjunto de la base delantera y el de la trasera.
- Cuidadosamente separe el conjunto de la base delantera del de la trasera. Retire el conjunto de la base delantera.

NOTA: Estas piezas están estrechamente unidas. Podría ser útil utilizar un mazo de goma para golpear levemente el área donde se unen los conjuntos.

- Retire el conjunto de la base trasera.
- Teniendo separados los conjuntos, limpie las partículas de madera y resina presentes en el área de la hoja, abertura de conexión del saco captapolvo, conjuntos de las bases delantera y trasera y partes circundantes.
- Aplique una capa delgada de grasa de uso general en las ranuras o carriles de la placa de apoyo donde se desliza la base.
- Vuelva a colocar el conjunto de la base trasera.
- Vuelva a montar el conjunto de la base delantera. Vuelva a colocar y a apretar los tornillos encargados de conectar los conjuntos de las bases delantera y trasera.
- Vuelva a colocar los resortes.
- Vuelva a instalar o reemplace la hoja, según corresponda.
- Asegure la zapata con las arandelas y los tornillos.
- Vuelva a instalar el saco captapolvo.

LIMPIEZA DEL SACO CAPTAPOLVO

Vea las figura 28, página 21.

- Desconecte la engalletadora.
- Retire el saco captapolvo.
- Retire el clip del extremo del saco captapolvo.
- Vacíe completamente el saco captapolvo, sacudiéndolo para sacar todos los desperdicios.
- Vuelva a colocar el clip.
- Vuelva a instalar el saco captapolvo.

ACCESORIOS

Los siguientes accesorios recomendados se encuentran en las tiendas al menudeo:

- Galletas 100 piezas Tamaño 0
- Galletas 100 piezas Tamaño 10
- Galletas 100 piezas Tamaño 20
- Surtido de galletas.....400 piezas en total
 - Tamaño 0 100 piezas
 - Tamaño 10 100 piezas
 - Tamaño 20 200 piezas



ADVERTENCIA:

Arriba se señalan los aditamentos y accesorios disponibles para usarse con esta herramienta. No utilice ningún aditamento o accesorio no recomendado por el fabricante de esta herramienta. El empleo de aditamentos o accesorios no recomendados podría causar lesiones serias.

**Este producto tiene una garantía limitada de tres (3) año.
Puede consultar los detalles de la garantía en www.ryobitools.com**

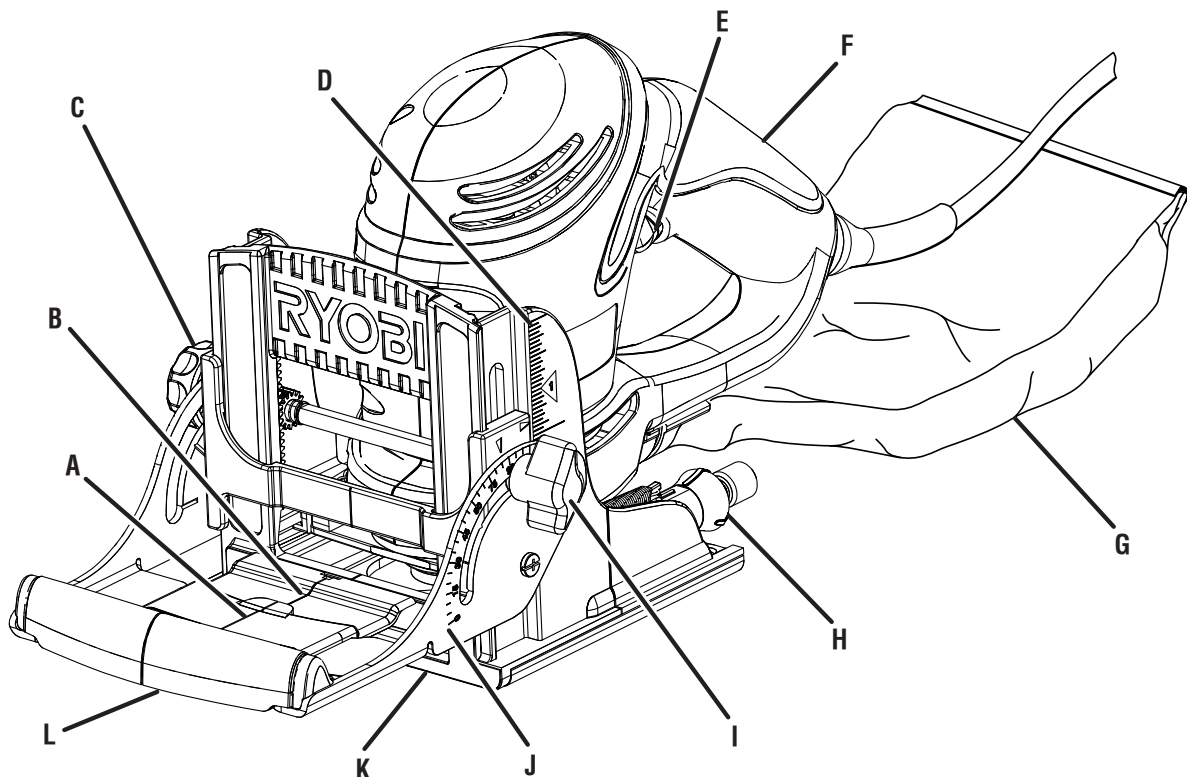
CORRECCIÓN DE PROBLEMAS

PROBLEMA

SOLUCIÓN

-
- | | |
|---|---|
| <p>1. Las galletas no caben en las ranuras. Si las galletas no caben en las ranuras, también pueden causar desalineación en las tablas por ensamblar.</p> | <p>A. Las ranuras para las galletas quedan o muy profundas o muy superficiales. Realice ajustes finos en el ajuste de profundidad. Vea la Forma de efectuar ajustes finos.</p> <p>B. Posiblemente el espesor de las galletas estén fuera de la tolerancia. Comprima las galletas en una prensa si están demasiado gruesas.</p> <p>C. Verifique para ver si las galletas son del tamaño correcto para el tamaño de las ranuras que cortó: #0, #10 ó #20.</p> <p>D. Revise para ver si las galletas se humedecieron e incharon.</p> |
| <p>2. Comienzan a acumularse partículas de madera en la parte frontal de la unidad.</p> | <p>A. El sistema de captación de aserrín no está funcionando debidamente. Es posible que esté lleno el saco captapolvo. Vacíe a menudo el saco captapolvo. Vea Montaje y desmontaje del saco captapolvo.</p> <p>B. La abertura de salida de aserrín puede estar obstaculizada e impide impulsar las partículas de madera hacia el interior del saco captapolvo. Retire los conjuntos de las bases delantera y trasera y limpie la hoja, la placa de apoyo, las ranuras de dichos conjuntos y las áreas circundantes. Vea Limpieza del conjunto de la base y del conducto del aserrín.</p> |
| <p>3. Se dificulta introducir la hoja en la madera al cortar ranuras. La hoja no se retrae correctamente al cortar ranuras.</p> | <p>A. Se han acumulado partículas de madera y resina en las ranuras de los conjuntos de las bases y áreas circundantes. Retire los conjuntos de las bases delantera y trasera y limpie la hoja, la placa de apoyo, las ranuras de dichos conjuntos y las áreas circundantes. Aplique una capa delgada de grasa de uso general en las ranuras y en la placa de apoyo donde se desliza la base. Vea Limpieza del conjunto de la base y del conducto del aserrín.</p> |
| <p>4. El desempeño de la unidad en el corte es deficiente, y al cortar ranuras hay pérdida de potencia o se detiene el motor.</p> | <p>A. Está desafilada la hoja de corte. Reemplace la hoja. Vea Reemplazo de la hoja.</p> <p>B. Se ha acumulado resina en la hoja. Retire la hoja y límpiela con un limpiador de goma y resina. Vea Reemplazo de la hoja.</p> |
-

Fig. 1

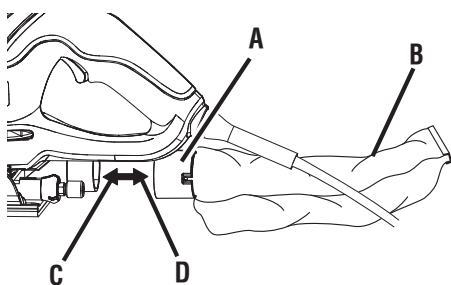


- A - Centerline/line of cut indicator (indicateur d'axe / ligne de coupe, indicador de línea central y línea de corte)
- B - Width of cut scale (échelle de largeur de coupe, escala de anchura de corte)
- C - Height adjustment knob (bouton de réglage de hauteur, perilla de ajuste de altura)
- D - Height setting scale (échelle de réglage de hauteur, escala de ajuste de altura)

- E - Switch trigger (gâchette de commutateur, gatillo del interruptor)
- F - Dual grip handle (double poignée, mango de doble posición)
- G - Dust bag (sac à sciure, saco captapolvo)
- H - Depth adjustment knob (bouton de réglage de profondeur, perilla de ajuste de profundidad)
- I - Locking knob (bouton de verrouillage, perilla de fijación)

- J - Angle setting scale (rapporteur, escala de ajuste de ángulo)
- K - Non-skid surface (surface antidérapante, superficie antideslizante)
- L - Adjustable fence (guide réglable, guía ajustable)

Fig. 2



- A - Dust bag adaptor (adaptateur de sac à sciure, adaptador del saco captapolvo)
- B - Dust bag (sac à sciure, saco captapolvo)
- C - To insert (installation, para el montaje)
- D - To remove (retrait, para el desmontaje)

Fig. 3

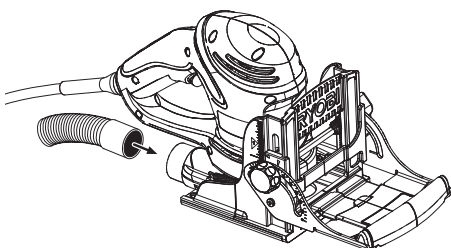


Fig. 4

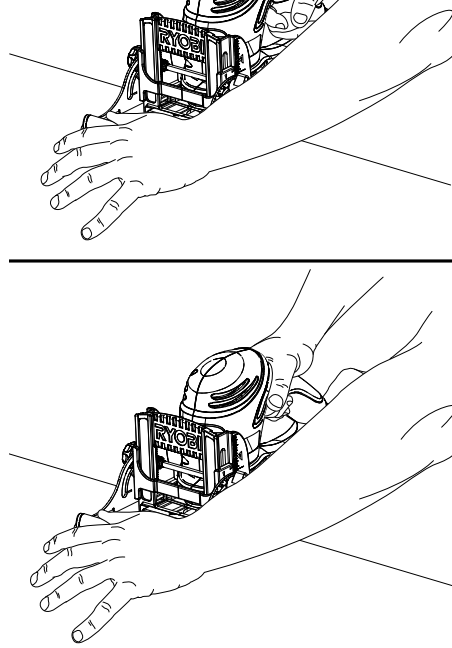
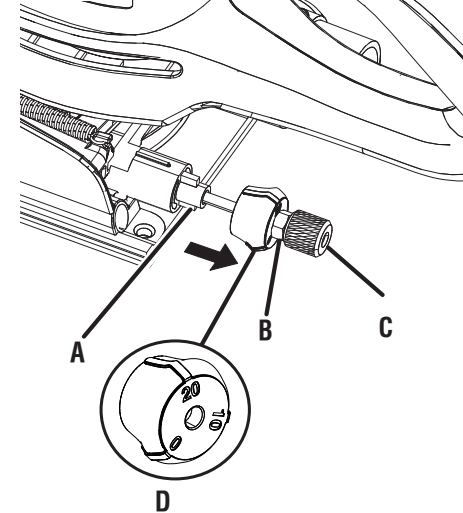
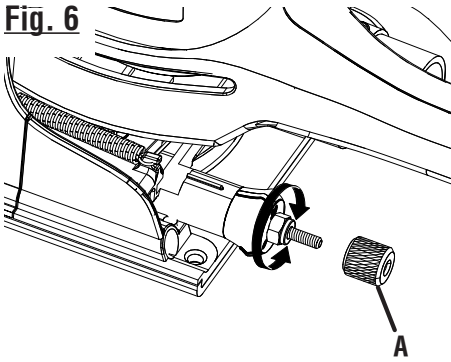


Fig. 5



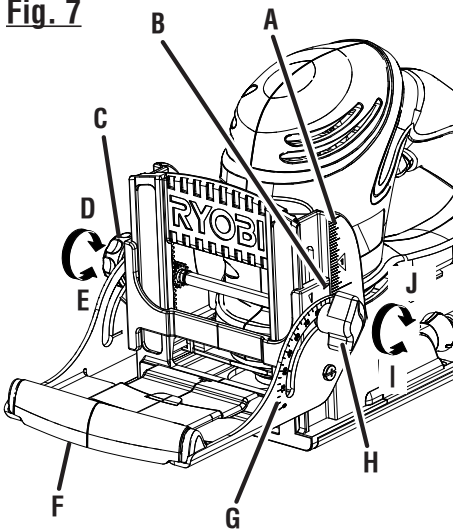
- A - Tabs (languettes, orejetas)
- B - Jam nut (écrou de blocage, contratuerca)
- C - Knurled adjustment knob (bouton de réglage moleté, perilla moletada de ajuste)
- D - Depth adjustment knob (bouton de réglage de profondeur, perilla de ajuste de profundidad)

Fig. 6



A - Knurled adjustment knob (bouton de réglage moleté, perilla moleteada de ajuste)

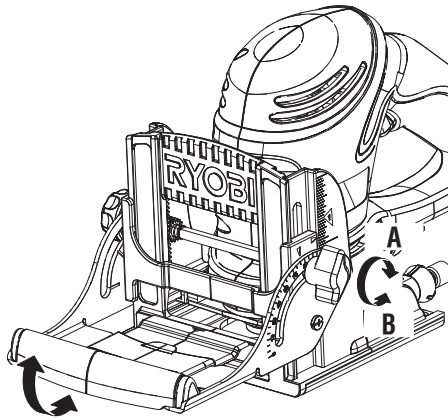
Fig. 7



A - Height setting scale (échelle de réglage de hauteur, escala de ajuste de altura)
 B - Indicator point (repère, punto indicador)
 C - Height adjustment knob (bouton de réglage de hauteur, perilla de ajuste de altura)
 D - To lower (pour abaisser, para bajar)
 E - To raise (pour relever, para subir)
 F - Adjustable fence (guide réglable, guía ajustable)
 G - Angle setting scale (rapporteur, escala de ajuste de ángulo)
 H - Locking knob (bouton de verrouillage, perilla de fijación)
 I - To loosen (pour desserrer, para aflojar)
 J - To tighten (pour serrer, para apretar)

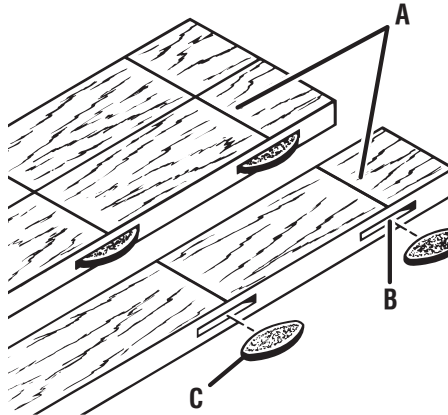
Fig. 8

ROTATE ADJUSTABLE FENCE TO DESIRED ANGLE SETTING / TOURNER LE GUIDE SUR L'ANGLE DÉSIRÉ / GIRE LA GUÍA AJUSTABLE A LA MARCA DEL ÁNGULO DESEADO



A - To tighten (pour serrer, para apretar)
 B - To loosen (pour desserrer, para aflojar)

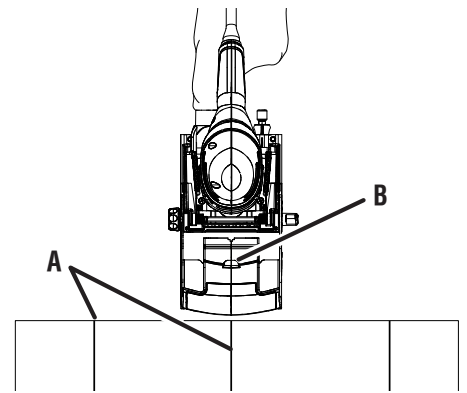
Fig. 9



A - Centerline marks (repères d'axe, marcas de líneas centrales)
 B - Biscuit slot(s) [rainure(s) pour lamellos, ranura para galleta(s)]
 C - Biscuit(s) [lamello(s), galleta(s)]

Fig. 10

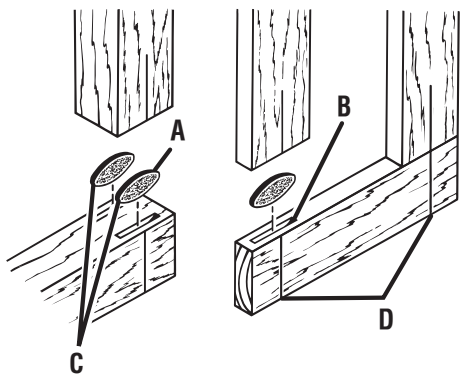
EDGE-TO-EDGE JOINTS / ASSEMBLAGES CHANT SUR CHANT / ENSAMBLADURAS POR LOS CANTOS



A - Centerline marks (marques d'axe, marcas de líneas centrales)
 B - Line of cut indicator (indicateur de ligne de coupe, indicador de la línea de corte)

Fig. 11

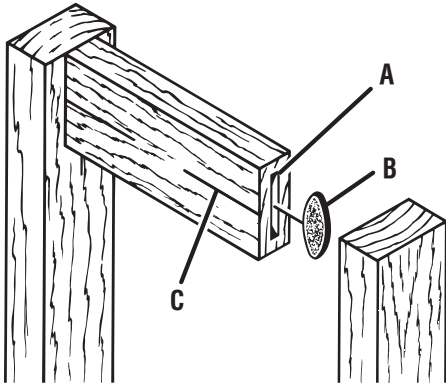
BUTT JOINTS / ASSEMBLAGES À PLAT JOINT / ENSAMBLADURAS A TOPE



A - Biscuit(s) [lamello(s), galleta(s)]
 B - Biscuit slot(s) [rainure(s) à lamello, ranura para galleta(s)]
 C - Multiple biscuits stacked (lamellos superposés, múltiples galletas en columna)
 D - Centerline mark(s) [marque(s) d'axe, marca(s) de línea central]

Fig. 12

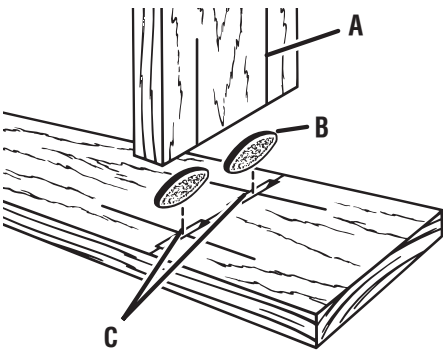
OFFSET BUTT JOINTS / ASSEMBLAGES À PLAT JOINT DÉCALÉ / ENSAMBLADURAS A TOPE CON REMETIMIENTO



- A - Biscuit slot (rainure à lamello, ranura para galleta)
- B - Biscuit (lamello, galleta)
- C - Centerline mark(s) [marque(s) d'axe, marca(s) de línea central]

Fig. 13

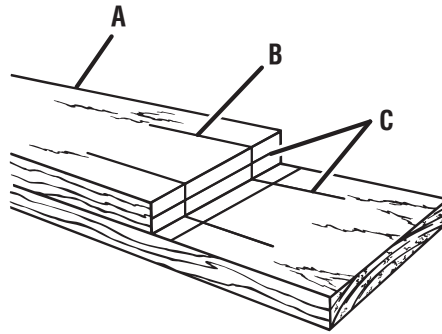
T-JOINT / ASSEMBLAGES EN T / ENSAMBLADURA EN "T"



- A - Centerline mark(s) [marque(s) d'axe, marca(s) de línea central]
- B - Biscuit(s) [lamello(s), galleta(s)]
- C - Biscuit slot(s) [rainure(s) à lamello, ranura para galleta(s)]

Fig. 14

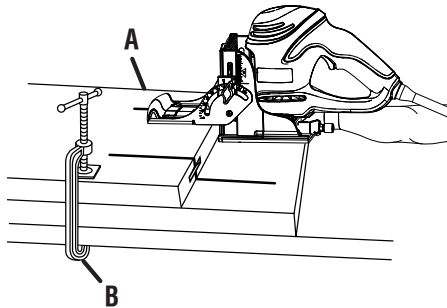
VERTICAL BOARD / PLANCHE VERTICALE / TABLA VERTICAL



- A - Horizontal board (planche horizontale, tabla horizontal)
- B - Biscuit slots/centerline marks (marques de lamellos / d'axes, marca de línea central y ranura)
- C - Board centerlines (axes de planche, líneas centrales de las tablas)

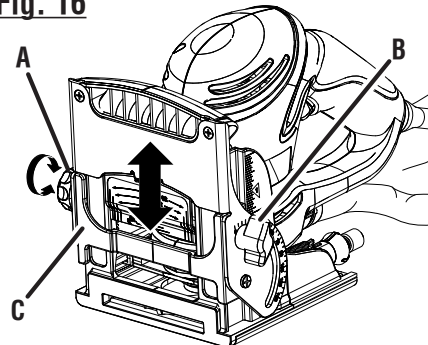
Fig. 15

TO CUT ENDS SLOTS IN HORIZONTAL BOARD / COUPE DE RAINURES EN BOUT D'UNE PLANCHE HORIZONTALE / PARA CORTAR LAS RANURAS DE LOS EXTREMOS EN LA TABLA HORIZONTAL



- A - Horizontal board (planche horizontale, tabla horizontal)
- B - Clamp (serre-joint, abrazadera)

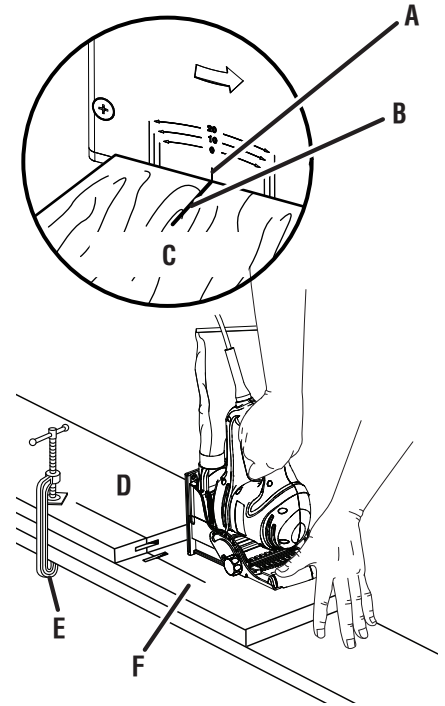
Fig. 16



- A - Height adjustment knob (bouton de réglage de hauteur, perilla de ajuste de altura)
- B - Locking knob (bouton de verrouillage, perilla de fijación)
- C - Adjustable fence (guide réglable, guía ajustable)

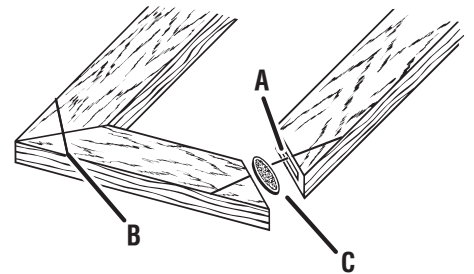
Fig. 17

TO CUT SLOTS IN VERTICAL BOARD / COUPE DE RAINURES DANS UNE PLANCHE VERTICALE / PARA CORTAR LAS RANURAS EN LA TABLA VERTICAL



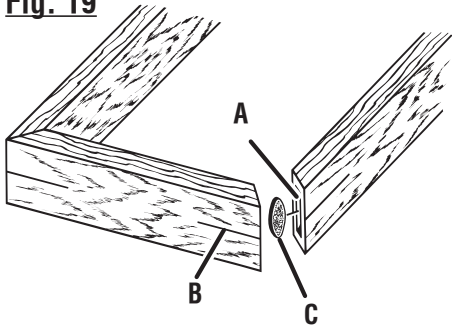
- A - Indicator mark (repère, marca indicadora)
- B - Centerline mark on workpiece (marque d'axe sur la pièce, marca de línea central en la pieza de trabajo)
- C - Bottom side of base assembly (dessous de la base, parte inferior del conjunto de la base)
- D - Horizontal board (planche horizontale, tabla horizontal)
- E - Clamp (serre-joint, abrazadera)
- F - Vertical board (planche verticale, tabla vertical)

Fig. 18



- A - Biscuit slot (rainure à lamello, ranura para galleta)
- B - Centerline mark(s) [marque(s) d'axe, marca(s) de línea central]
- C - Biscuit (lamello, galleta)

Fig. 19



- A - Biscuit slot (rainure à lamello, ranura para galleta)
- B - Centerline mark(s) [marque(s) d'axe, marca(s) de línea central]
- C - Biscuit (lamello, galleta)

Fig. 20

CUTTING EDGE MITER SLOT FROM LONG SIDE OF WORKPIECE / COUPE DE RAINURES D'ONGLET SUR CHANT DU LONG CÔTÉ D'UNE PIÈCE / CORTE DE LA RANURA PARA ENSAMBLADURA A INGLETE DE CANTO DESDE EL LADO LARGO DE LA PIEZA DE TRABAJO

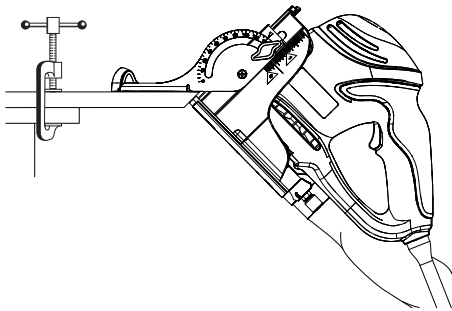


Fig. 21

CUTTING EDGE MITER SLOT FROM SHORT SIDE OF WORKPIECE / COUPE DE RAINURES D'ONGLET SUR CHANT DU CÔTÉ COURT D'UNE PIÈCE / CORTE DE LA RANURA PARA ENSAMBLADURA A INGLETE DE CANTO DESDE EL LADO CORTO DE LA PIEZA DE TRABAJO

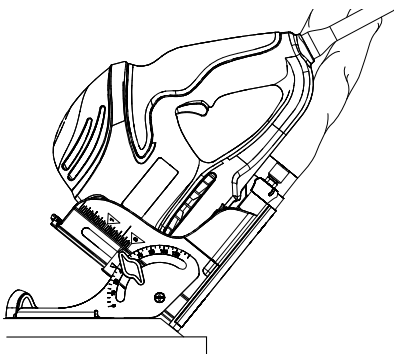
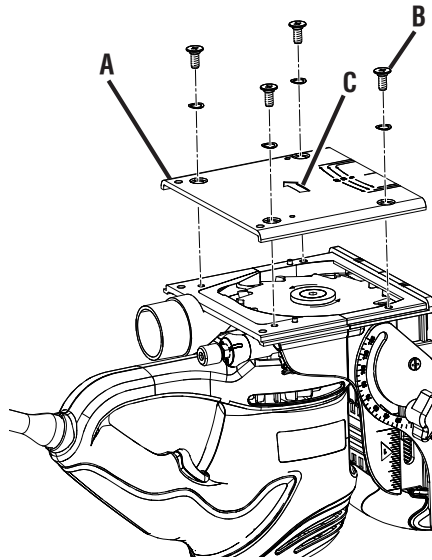


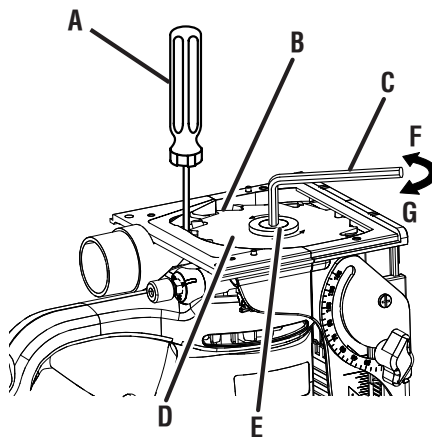
Fig. 22

SHOWN WITHOUT DUST BAG / ILLUSTRÉ SANS SAC À SCIURE / APARECE SIN EL SACO CAPTAPOLVO



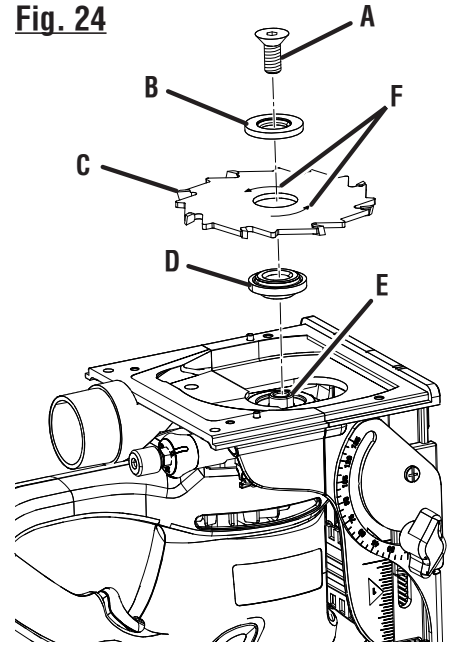
- A - Shoe (semelle, zapata)
- B - Screw(s) [vis, tornillo(s)]
- C - Direction of rotation indicator on the base (indicateur de sens de rotation sur la base, indicador de sentido de rotación de la base)

Fig. 23



- A - Screwdriver (tournevis, destornillador)
- B - Non-cutting tooth behind carbide-tipped cutting tooth (dent non coupante derrière dent coupante à pointe au carbure, diente no cortante detrás del diente cortante con punta de carburo)
- C - Hex key (clé hexagonale, llave hexagonal)
- D - Blade (lame, hoja)
- E - Blade screw (boulon de lame, tornillo de la hoja)
- F - Loosen (desserrer, aflojar)
- G - Tighten (serrer, apretar)

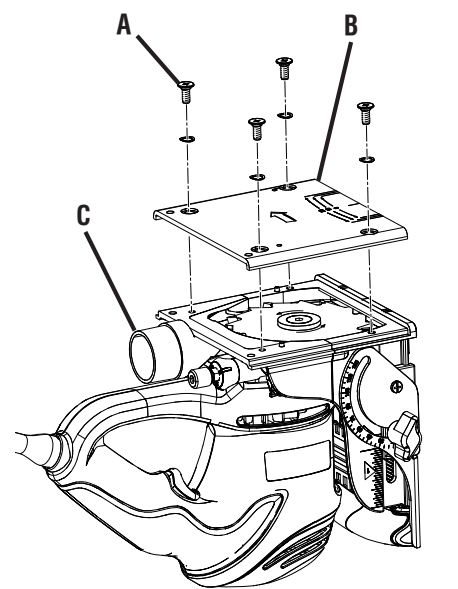
Fig. 24



- A - Blade screw (boulon de lame, tornillo de la hoja)
- B - Outer blade washer (rondelle de lame extérieure, arandela exterior de la hoja)
- C - Blade (lame, hoja)
- D - Inner blade washer (rondelle de lame intérieure, arandela interior de la hoja)
- E - Gear spindle (broche, husillo de engranaje)
- F - Direction of rotation indicator on the blade (indicateur de sens de rotation de la lame, indicador de sentido de rotación de la hoja)

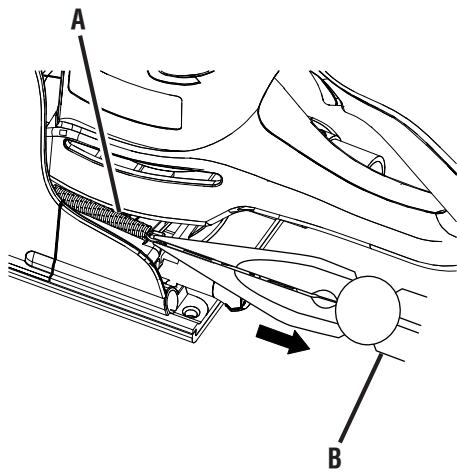
Fig. 25

SHOWN WITHOUT DUST BAG / ILLUSTRÉ SANS SAC À SCIURE / APARECE SIN EL SACO CAPTAPOLVO



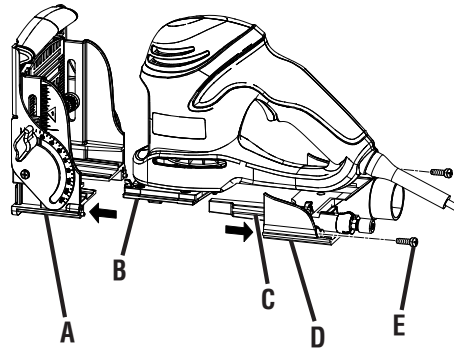
- A - Screw(s) [vis, tornillo(s)]
- B - shoe (semelle, zapata)
- C - Dust bag port (raccord de sac à sciure, abertura de conexión del saco captapolvo)

Fig. 26



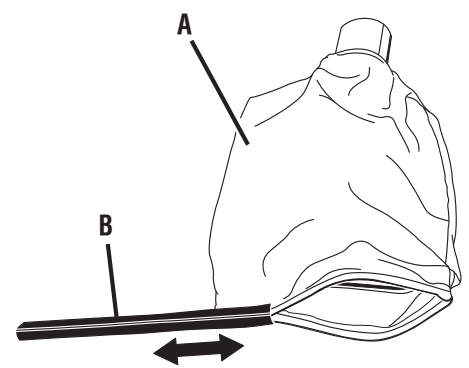
- A - Spring (ressort, resorte)
B - Needle nose pliers (pinces de bec étroit, pinzas de punta de aguja)
-

Fig. 27



- A - Front base assembly (base avant, conjunto de la base delantera)
B - Track(s) [coulisse(s), carrile(s)]
C - Slot(s) [rainure(s), ranura(s)]
D - Rear base assembly (base arrière, conjunto de la base trasera)
E - Screws (vis, tornillos)
-

Fig. 28



- A - Dust bag (sac à sciure, sacco captapolvo)
B - Clip (clip, clip)
-



OPERATOR'S MANUAL / BISCUIT JOINER
MANUEL D'UTILISATION / RAINUREUSE
MANUAL DEL OPERADOR / ENGALLETADORA
JM82 / JM82G

To request service, purchase replacement parts,
locate an Authorized Service Center and obtain Customer or Technical Support:

Visit **www.ryobitools.com** or call **1-800-525-2579**

If any parts or accessories are damaged or missing,
do not return this product to the store. Call **1-800-525-2579** for immediate service.

Please obtain your model and serial number from the product data plate.

MODEL NUMBER _____ SERIAL NUMBER _____

RYOBI is a registered trademark of Ryobi Limited and is used pursuant to a license granted by Ryobi Limited.

Pour faire une demande de réparations ou obtenir des pièces de rechange, trouver un
Centre de réparations agréé pour obtenir un soutien technique ou le Service à la clientèle :

Visiter **www.ryobitools.com** ou en téléphonant au **1-800-525-2579**

Si des pièces ou accessoires sont manquantes ou endommagées, ne pas retourner
ce produit au magasin. Appeler immédiatement au **1-800-525-2579** pour obtenir de l'aide.

Inscrire les numéros de modèle et de série inscrits sur la plaque d'identification du produit.

NUMÉRO DE MODÈLE _____ NUMÉRO DE SÉRIE _____

RYOBI est une marque déposée de Ryobi Limited et est utilisée en vertu d'une licence accordée par Ryobi Limited.

Para obtener servicio, comprar piezas de repuesto, localizar un centro de servicio autorizado
y obtener Servicio o Asistencia Técnica al Consumidor:

Visite **www.ryobitools.com** o llame al **1-800-525-2579**

Si hay alguna pieza ou accesorios dañada o faltante, no devuelva este producto a la tienda.
Llame al **1-800-525-2579** para servicio técnico inmediato.

Obtenga su modelo y número de serie de la placa de datos del producto.

NÚMERO DE MODELO _____ NÚMERO DE SERIE _____

RYOBI es una marca registrada de Ryobi Limited y se utiliza conforme a una licencia otorgada por Ryobi Limited.

ONE WORLD TECHNOLOGIES, INC.

1428 Pearman Dairy Road, Anderson, SC 29625 • Phone 1-800-525-2579
États-Unis, Téléphone 1-800-525-2579 • USA, Teléfono 1-800-525-2579

www.ryobitools.com

A subsidiary of Techtronic Industries Co., LTD OTC: TTNDY