

TWIN/FULL BUNK BED

OWNER'S MANUAL

Thank you for purchasing this quality product. Be sure to check all packing material carefully for small parts which may have come loose inside the carton during shipment. Separate, identify, and count all parts and metal hardware. Compare with parts list to be sure all parts are present. Replacement parts, including additional guardrails may be obtained from your importer.

WARNING

TO HELP PREVENT SERIOUS OR FATAL INJURIES FROM ENTRAPMENT OR FALLS:

Follow the information on the warnings appearing on the upper bunk end structure and on the carton. Do not remove warning label from bed.





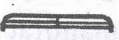
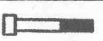
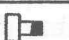

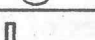

DO NOT REMOVE THE WARNING LABEL FROM BED.

1. Always use the recommended size mattress or mattress support, or both, to help prevent the likelihood of entrapment of falls.
2. Surface of mattress must be at least 5 in. (127mm) below the upper edge of guardrails.
3. Do not allow children under 6 years of age to use the upper bunk bed.

4. Periodically check and ensure that the guardrails, ladder and other components are in their proper position, free from damage, and that all connectors are tight.
5. Do not allow horseplay on or under the bed and prohibit jumping on the bed.
6. Always use the ladder for entering and leaving the upper bunk.
7. Do not use substitute parts. Contact the manufacturer or dealer for replacement parts.
8. Use of a night light may provide added safety precaution for a child using the upper bunk.
9. Always use guardrails on both long sides of the upper bunk. If the bunk bed will be placed next to the wall, the guardrail that runs the full length of the bed should be placed against the wall to prevent entrapment between the bed and wall.
10. The use of water or sleep flotation mattresses is prohibited.
11. **STRANGULATION HAZARD**—Never attach or hang items to any part of the bunk bed that are not designed for use with the bed; for example, but not limited to, hooks, belts, and jump ropes.

PLEASE KEEP THESE INSTRUCTIONS FOR FUTURE REFERENCE

Parts List & Illustration

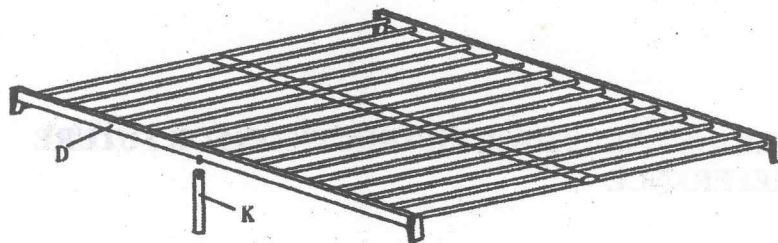
A		LEFT FRAME	1PC
B		RIGHT FRAME	1PC
C		TOP MATTRESS FRAME	1PC
D		BOTTOM MATTRESS FRAME	1PC
E		GUARDRAIL	2PCS
F		LONG BOLT M8*45	8PCS
H		SHORT BOLT M6*15	9PCS
I		WASHER 8.5*22*1.5	8PCS
J		ALLEN WRENCH M4	1PC
K		Support Leg	1PC

Attention:

Top Mattress/Bottom Mattress (not included)
 Use only a mattress that is 74"-75" long and 37.5"-38.5"
 wide on upper bunk.
 Use only a mattress that is 74"-75" long and 53.5" -54"
 wide on lower bunk.

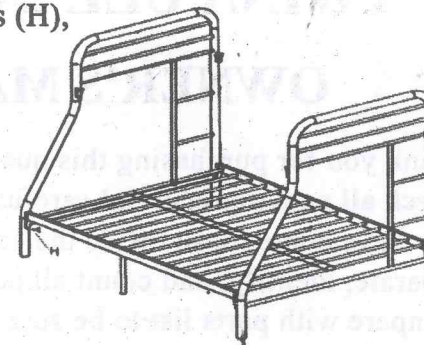
STEP

1. Assemble the bottom mattress frame (D) to the support leg (K) with 1 short bolts (H).



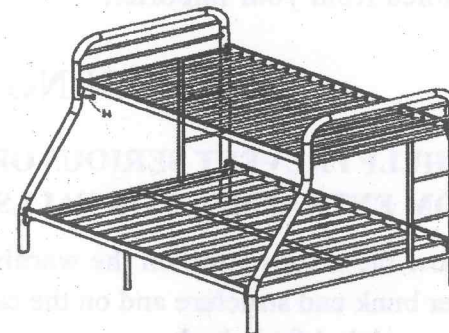
STEP 2.

Assemble the bottom mattress frame (D) to the 2 L & R frames (A,B) with 4 short bolts (H),



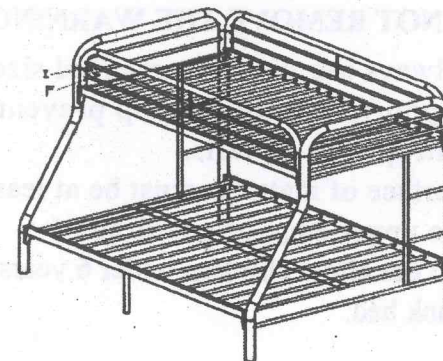
STEP 3

Attach the top mattress frame (C) to the 2 L & R frames (A,B) with 4 short bolts(H)



STEP 4.

Fix 2 guardrails (E) on to the frames (A,B) with 8 long bolts (F) and 8 washers (I)



STEP 5.

Tighten all the bolts and nuts and the assembly is finished.