



Item # 1003 799 754

Model # G4800AS-US

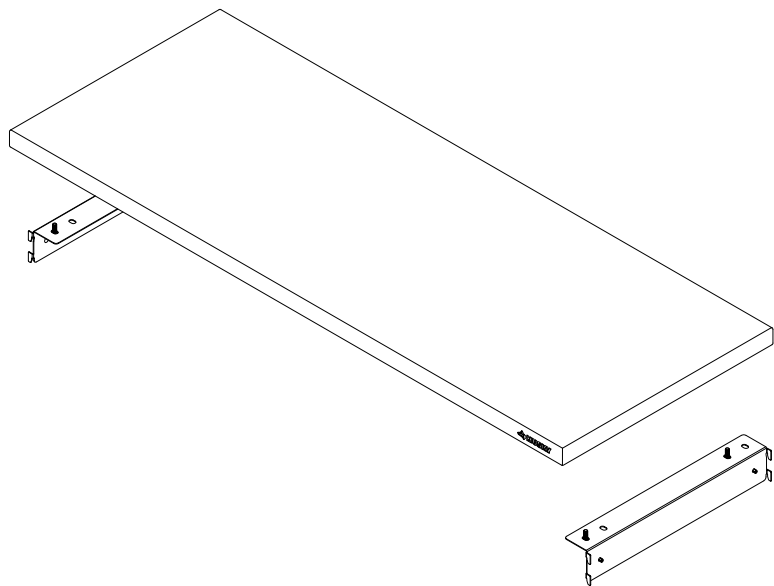
USE AND CARE GUIDE

48 IN. SOLID WOOD WORK SURFACE

Questions, problems, missing parts?
Before returning to the store, call
Husky Customer Service
8 a.m. - 5 p.m., EST, Monday - Friday

1-888-HD-HUSKY

WWW.HUSKYTOOLS.COM



Due to continuing improvements,
the actual product may differ slightly
from the product described herein.

THANK YOU

We appreciate the trust and confidence you have placed in Husky through the purchase of this work surface. We strive to continually create quality products designed to enhance your home. Visit us online to see our full line of products available for your home improvement needs. Thank you for choosing Husky!


Table of Contents


Table of Contents	2	Assembly	4
Safety Information	2	Maintenance	6
Warranty	2	Care and Cleaning	6
Specifications	2	Service Parts	6
Pre-Assembly	3		


Safety Information


To reduce the risk of serious injury, read and follow the safety instructions below before assembling and using this product.

- This product is intended for indoor use only.
- This product is not designed for commercial nor industrial usage.
- Solid wood refers to rubber wood.


 **CAUTION:** Use at least two people to move, assemble or install this product. Failure to do so can result in personal injury or product damage.

 **CAUTION:** DO NOT alter this product in any manner. For example, do not weld external bar locks or attach electrical equipment. This may cause product damage or personal injury.

 **CAUTION:** Check all nuts and bolts periodically for tightness. When required, tighten them.

 **CAUTION:** DO NOT leave children unattended near this product.

 **CAUTION:** DO NOT overload. This may cause product damage or personal injury.

 **WARNING:** Any assembly or maintenance of the product must be carried out by adults only.

 **WARNING:** DO NOT stand on the product and do not use it as scaffold.

Warranty

1 year Limited Warranty for Solid Wood top. This warranty excludes incidental/inconsequential damages and failures due to misuse, abuse or normal wear and tear.

This full warranty gives you specific rights, and you may also have other rights, which vary state to state.

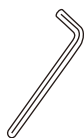
Contact the customer service team at 1-888-HD-HUSKY or visit www.huskytools.com.

Specifications

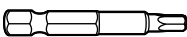
Maximum load	500 lbs. / 227 kg
--------------	-------------------

Pre-Assembly

TOOLS REQUIRED



Hex Wrench (Hex Key)
(not included)



Hex Screwdriver Bit
(not included)

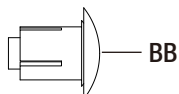
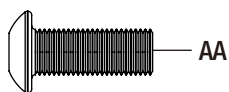


Gloves
(not included)

HARDWARE INCLUDED

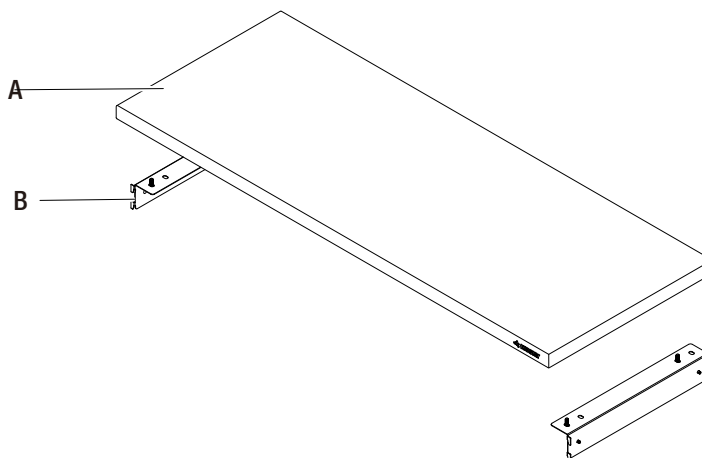


NOTE: Hardware not shown to actual size.



Part	Description	Quantity
AA	M6 x 16 hex socket head screw	4
BB	Plastic nail	4

PACKAGE CONTENTS



Part	Description	Quantity
A	Solid wood work surface	1
B	L bracket	2

Assembly



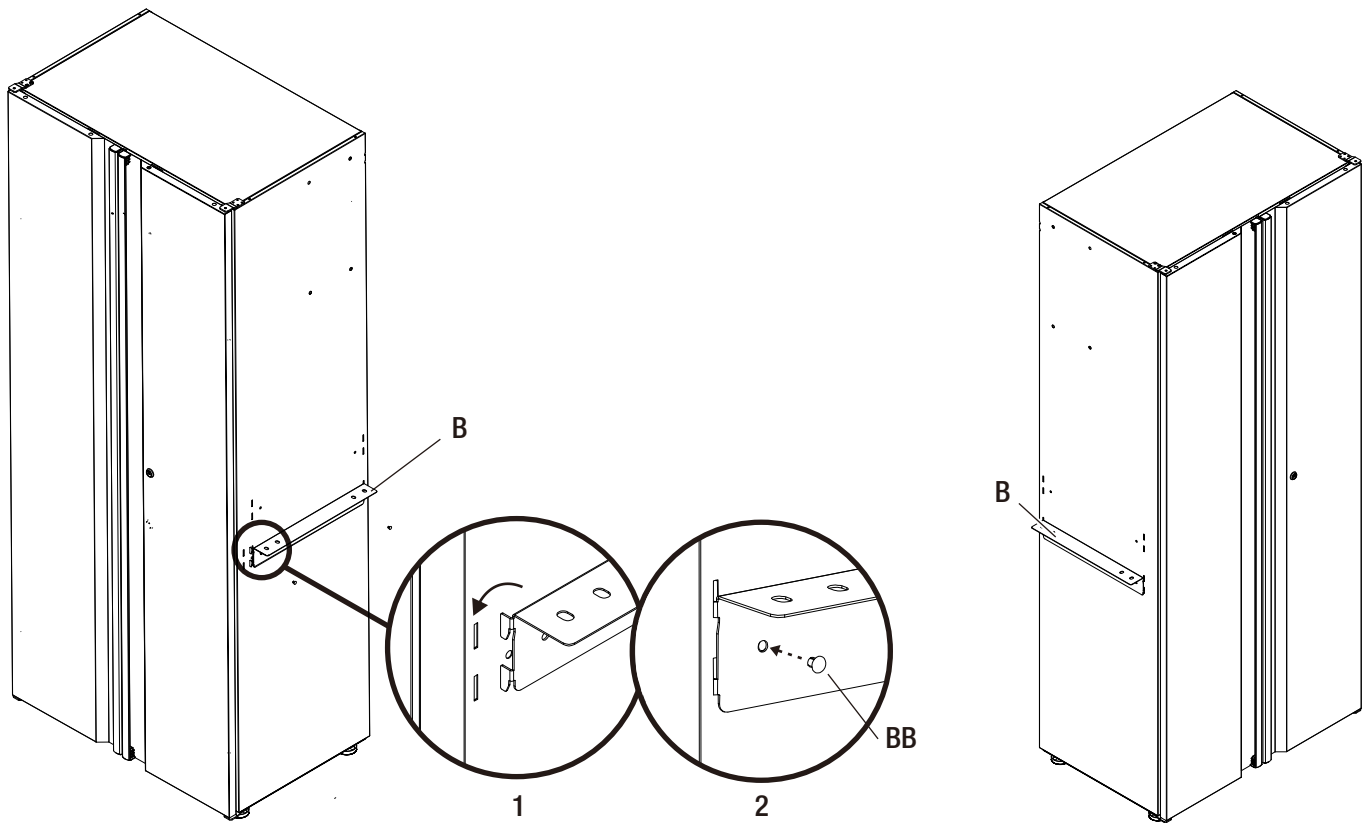
CAUTION: Please wear gloves during the whole assembling process.



NOTE: Storage cabinets are not included. Please purchase separately.

1 INSTALLING THE L BRACKETS

- Insert a L bracket (B) into the slots on the side panel of your cabinet.
- Fix the L bracket (B) and the side panel together with two plastic nails (BB).
- Repeat the same procedure to install the other L bracket (B).



2 INSTALLING THE WORK SURFACE

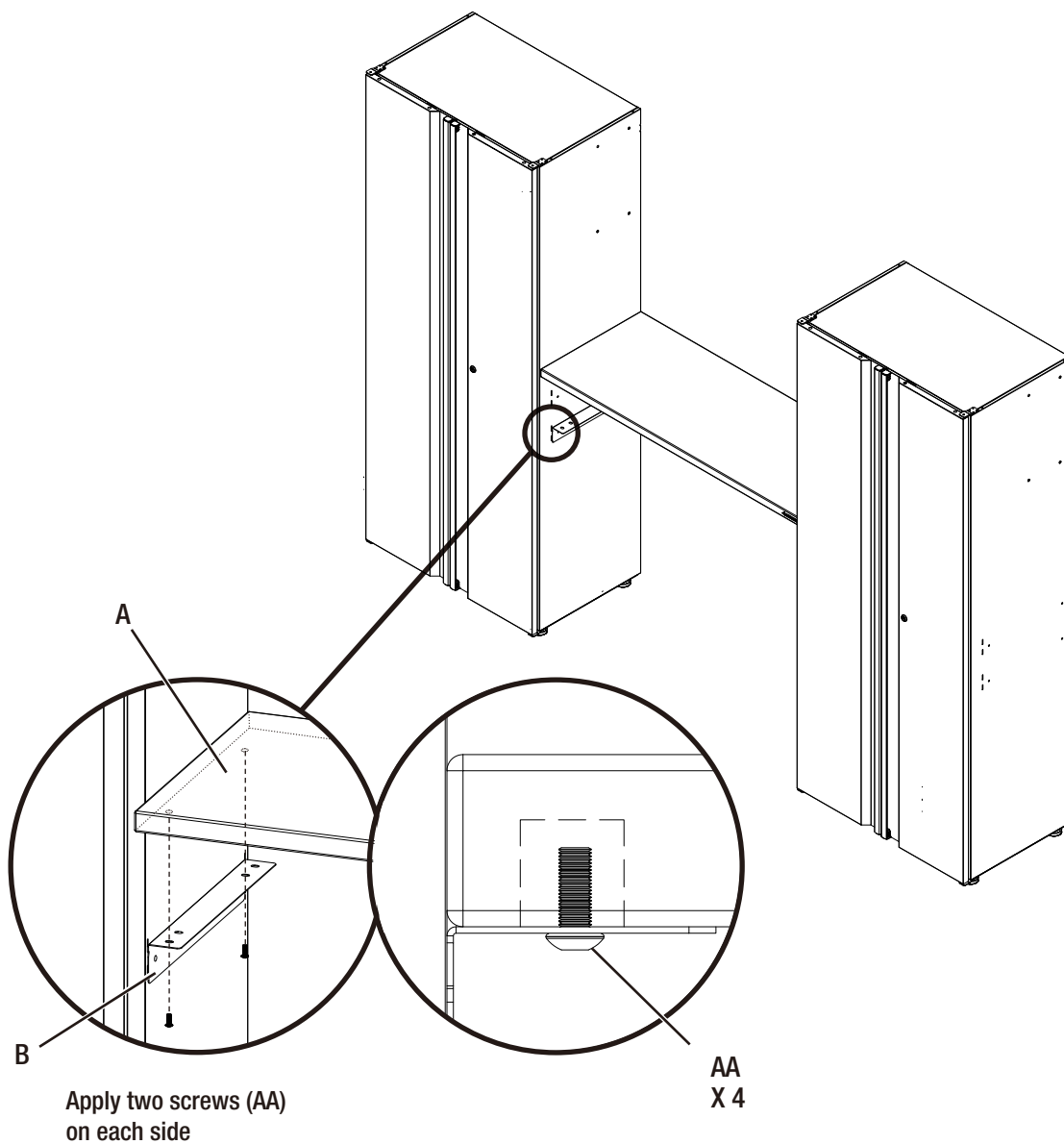
- Attach the solid wood work surface (A) on the L brackets (B) with four M6 x 16 hex socket head screws (AA). Two for each side.
- Tighten securely.



IMPORTANT: The side with HUSKY logo should be at the front.



IMPORTANT: The back side of work surface should be flush with the back of cabinet.



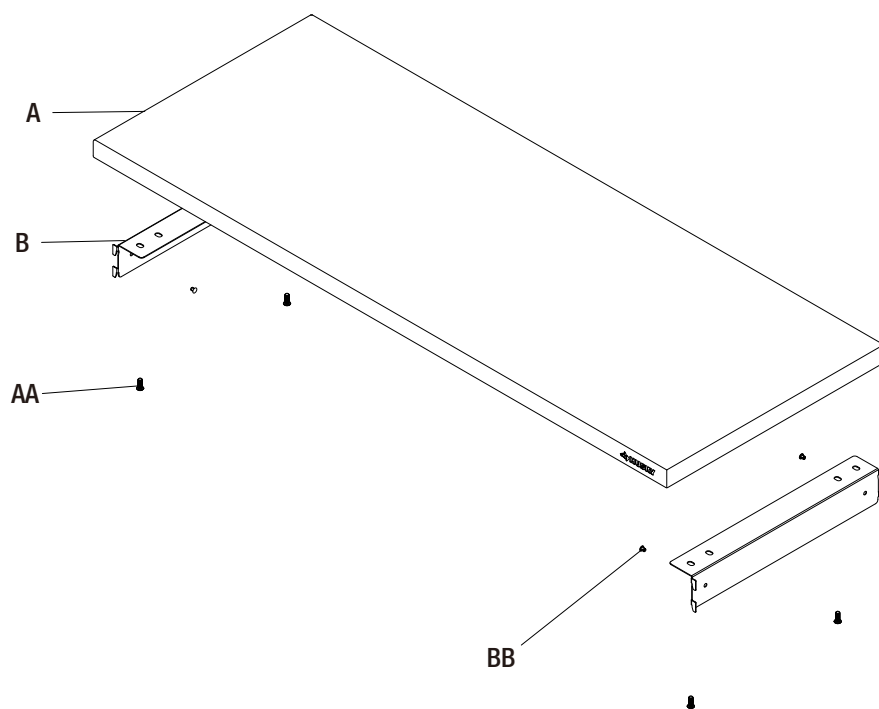
Maintenance

- Check all the screws and nuts periodically for tightness. Tighten them when necessary.

Care and Cleaning

- Periodically clean the work surface with a soft rag and water.
- Grease and oil can be removed with most standard cleaning fluids. For safety, use a nonflammable cleaning fluid.

Service Parts



Part	Replacement Part #	Description	Quantity
A	572056	Solid wood work surface	1
B	241122	L bracket	2
AA	320327	M6 x 16 hex socket head screw	4
BB	314257	Plastic nail	4



Questions, problems, missing parts? Before returning to the store,
call Husky Customer Service
8 a.m.-5 p.m., EST, Monday-Friday

1-888-HD-HUSKY

WWW.HUSKYTOOLS.COM

Retain this manual for future use.