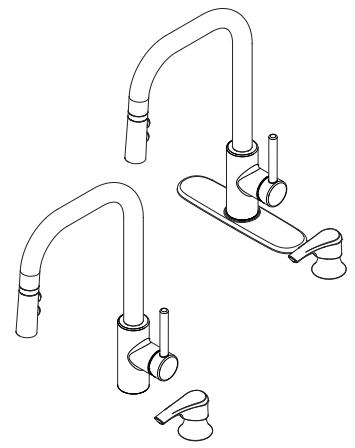


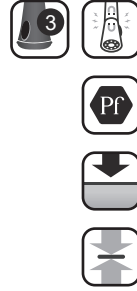
- F529-7ZNRB Finish(B)
- F529-7ZNRBG Finish(BG)
- F529-7ZNRRC Finish(C)
- F529-7ZNRGS Finish(GS)



Specifications

Features

- 166 GPM Flow Rate
- 1, 2, 3 or 4-Hole Installation; Deck Plate or Single Hole Mounting Option
- 3 Function Pull-Down Sprayer (Spray, Stream, and Pause)
- MagnePfit™ Sprayhead Docking
- 360° Rotating High Arc Swivel Spout
- Forward Handle Operation
- SoloTilt™ One-Hand Soap Dispenser
- Nylon Braided Flex Hose
- 3/8" Connections
- 36" Integrated Flexible PERT Supply Lines
- 16.5" Extended Pull-Down Hose Length
- Includes Quick Install Tool
- Multi-Mount
- TiteSeal™ Technology
- Quick Install Tool Included
- Wipe Clean™ Nozzles
- Pfast Connect™
- Pforever Seal™ Ceramic Disc Valve
- Pforever Warranty®



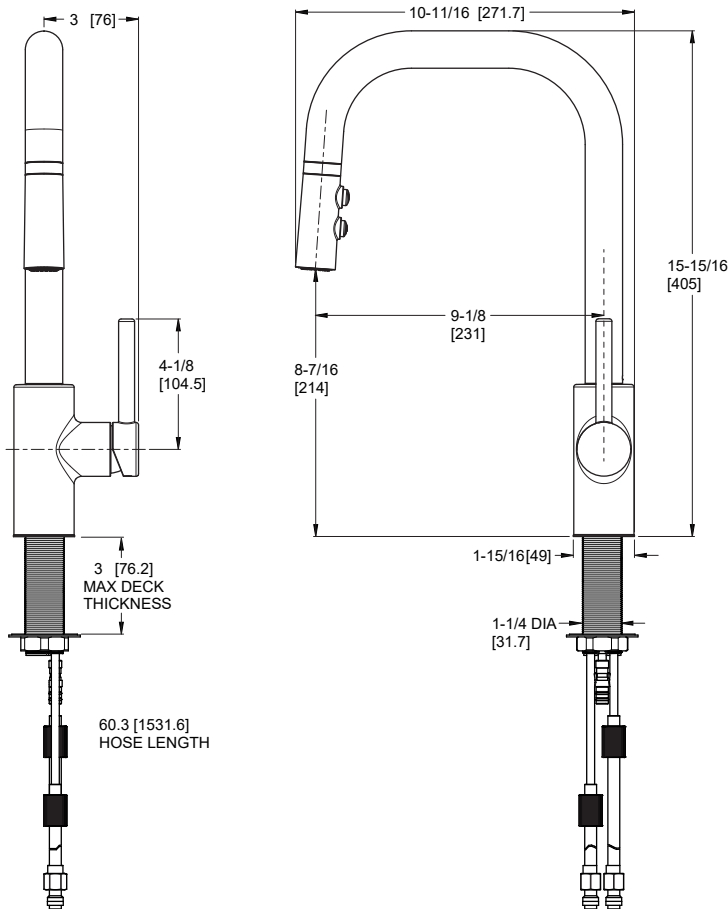
Code Compliance

Pfister products are designed and manufactured in compliance with the following standards and codes:

- IAPMO Certified to ASME A112.18.1/CSA B125.1 including:
 - ASME A112.18.3 (Backflow Prevention)
- NSF 61/9 AnnexG Certified
- CEC Certified/CALGreen compliant
- ADA Compliant - ANSI A117.1 (Lever Handles Only)

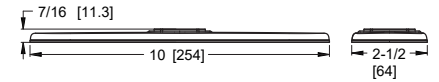


Dimensions

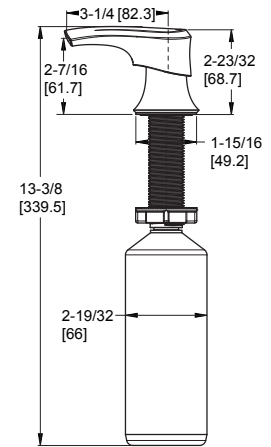


Ø1-3/8 Min to Ø1-1/2 Max. Deck Hole Openings

Optional Included Deckplate



Top Filling Soap Dispenser



36 Inch Supply Lines with 3/8 Female Compression Brass Connections

