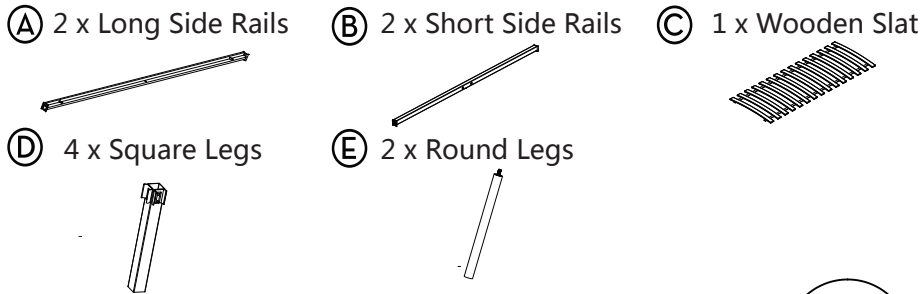


Assembly Instructions

Wood Slat Bed Frame

Your bed frame comes packaged in one box. Carefully remove all of the components from the packaging and set aside for assembly. Assemble on a soft surface to prevent scratching the finish during assembly.

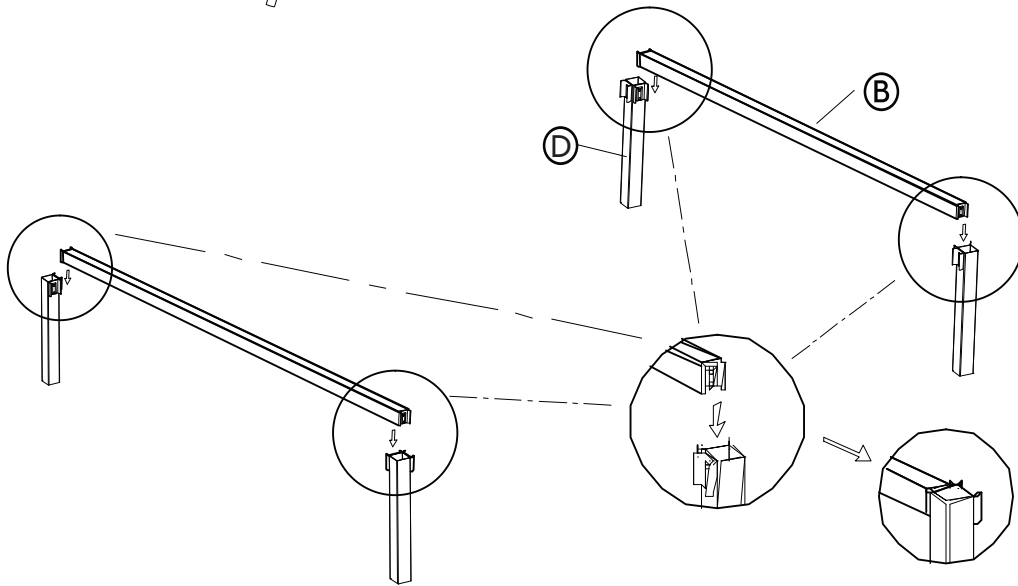
Package Contents

- (A) 2 x Long Side Rails
 - (B) 2 x Short Side Rails
 - (C) 1 x Wooden Slat
 - (D) 4 x Square Legs
 - (E) 2 x Round Legs
- 

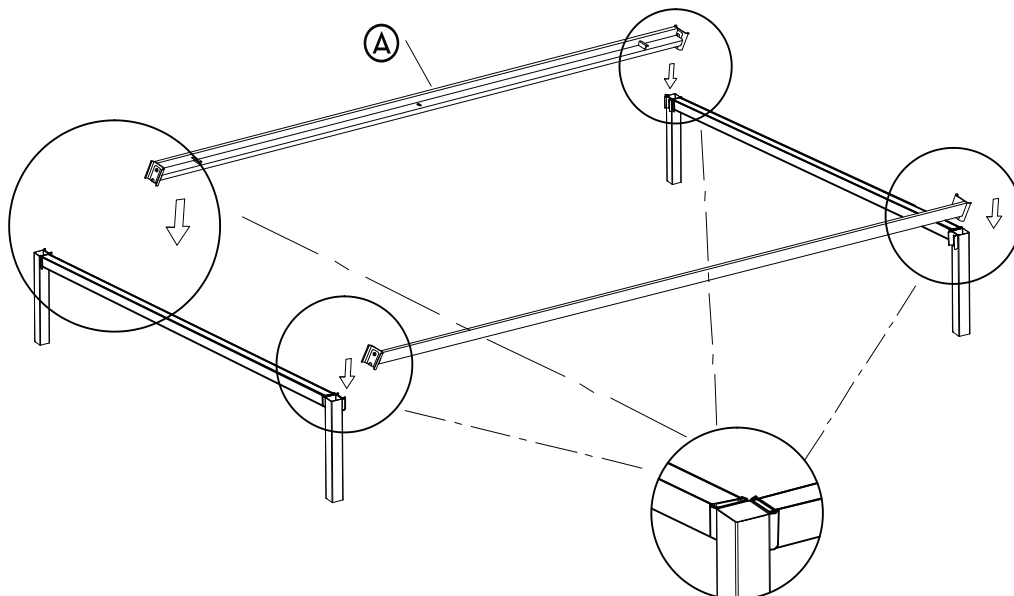
CAUTION:
Tighten all components securely before use. Failure to do so may result in personal injury.

DO NOT use any sharp objects to open plastic wrapped components as damage to product or components may result.

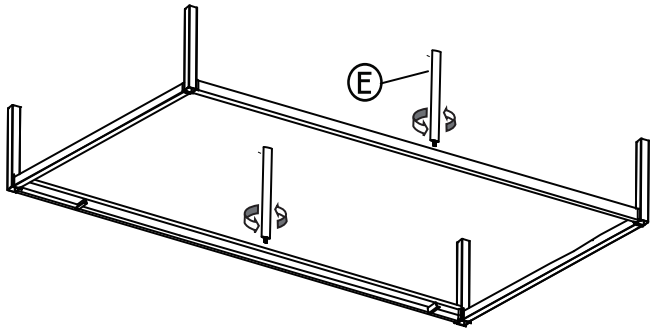
Step 1



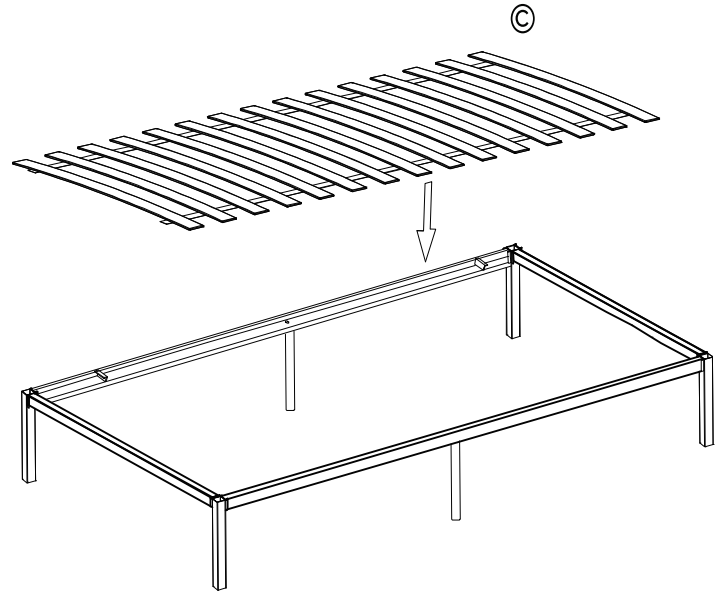
Step 2



Step 3



Step 4



Step 5



Do not return product to retail store.
Call Customer Support: 866-238-0531
Mon-Fri 8:00am - 4:30pm CST
customerservice@furniturequestions.com
Updated: 07.04.2017

Parts 1 Year Warranty: Items is warranted against defects in workmanship and materials. Items not covered would be product abused by the user, normal wear and tear, stains or discoloration due to use, improper cleaning, damage in any transportation. Warranty is for PARTS ONLY and does not include transportation and labor costs associated with any warranty claim.