



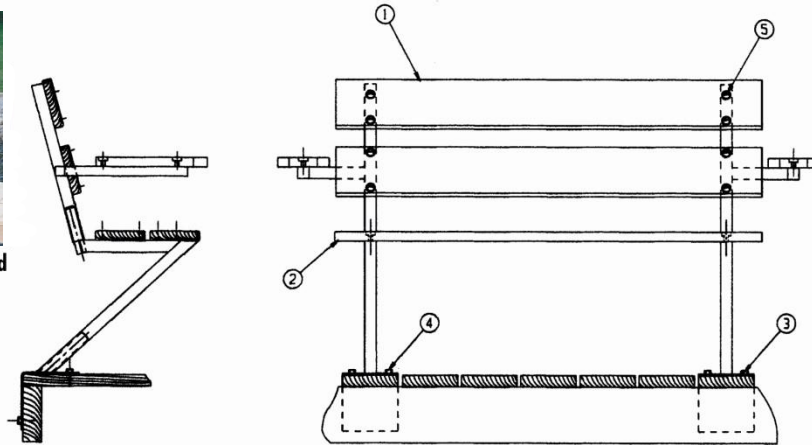
Tommy Docks Bench Assembly and Installation

4' CEDAR BENCH

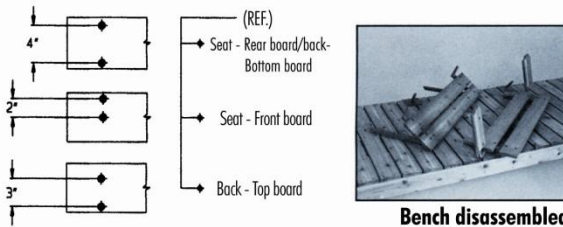
Part # - TD-10098 dimensions are 48" x 31" x 16"



Bench assembled



ITEM	QTY	DESCRIPTION
1	1	Backrest Assembly
2	1	Seat Assembly
3	2	Mount Assembly
4	8	5/16" x 1-1/4" Hex Head Lag Screw
5	20	5/16" x 1-1/4" Truss Screw



Bench disassembled

Tommy Docks bench has been designed to be disassembled without the use of tools, as may be required for periodic cleaning or end of season storage. By referring to the photograph at the right, the backrest can be easily removed by lifting the backrest off the dowel shafts located on the seat assembly. The seat assembly can be easily removed by lifting the seat assembly off the dowel shafts located on the mount assemblies.

1. Assemble the cedar boards to the seat and backrest assemblies, and the armrests, with the 5/16" x 1-1/4" truss screws. Be sure to note the reference diagram illustrating the different mounting hole dimensions for the cedar boards.
2. Assemble the backrest assembly to the seat assembly by placing the backrest assembly onto the seat assembly dowel shafts.
3. Assemble each mount assembly to the seat assembly by inserting the mount assembly dowel shaft into the seat assembly leg, one each side.
4. Place the bench assembly on the dock in the desired position with the mount assemblies located on the dock edge and with the mounting holes positioned over the dock surface. Use "C" clamps to temporarily hold the mount assemblies in position on the dock surface.
5. Using the holes in the mount assemblies as a template, drill a 7/32" pilot hole into the dock surface at each corresponding hole location.
6. Fasten the mount assemblies to the dock with 5/16" x 1-1/4" hex head lag screws.