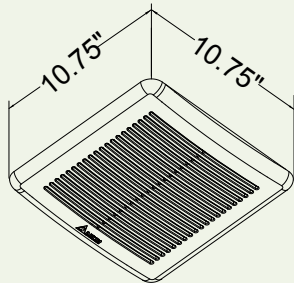
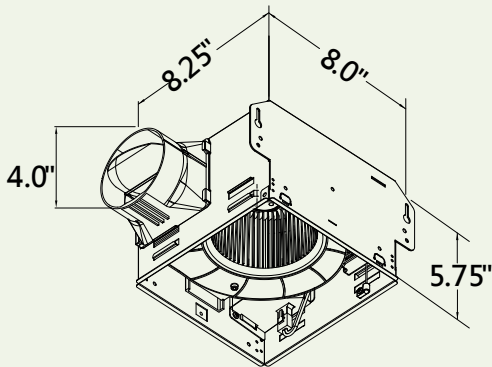




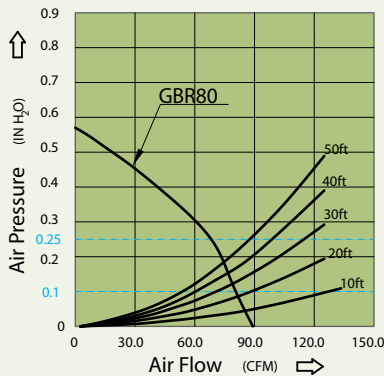
# Delta BreezGreenBuilder Ventilation Single Speed Fan Specifications

GBR80  
(80 CFM)

### Dimensions



### Fan Curve



### Description

Low noise ceiling mount ventilating fan rated for continuous running. Fan Fan has been awarded ENERGY STAR® Most Efficient in 2013. It is HVI, UL, and cUL certified, and can be used to comply with ASHRAE 62.2 (local and whole building continuous and intermittent operation), CA Title 24, and CALGreen requirements.

### Motor/Blower

- Power rating of 120volts/60Hz
- DC brushless motor engineered to run continuously
- Motor equipped with thermal cutoff fuse
- Permanently lubricated motor

### Housing

- Galvanized steel body
- Detachable 4" diameter duct adapter
- Built-in backdraft damper
- Easy installation

### Grille

- Attractive design using ABS material
- Attaches directly to housing with torsion springs

### LED Indicator

- Turn the power switch on/off to operate on/off. LED indicator will be green when power is on

### Warranty

- 3-year limited warranty

### Features

- For ceiling mount only, air flow of 80 CFM ( $\pm 10\%$ ) and 0.6 sones at 0.1" static pressure
- Power consumption approximately 10.5 Watts with an efficiency rating approximately 7.6 CFM/Watt at 0.1" static pressure
- UL and cUL listed for tub/shower enclosure when used with GFCI-protected branch circuit wiring

### DC Motor Technology

- Built-in soft start function to increase bearings' life
- Automatically powers off when the impeller is locked abnormally

### Specifications

GBR80	4" Duct (Standard)	
Static Pressure (Inches w.g.)	0.1	0.25
Air Flow (CFM)	80	69
Sones	0.6	1.1
Power Consumption (Watts)	10.5	12.5
Energy Efficiency (CFM/Watt)	7.6	5.5
Current (Amps)	0.22 Max	
Power Rating (V/Hz)	120/60	