

# CLEANCUT

## Oil Pumps

Beckett  
PARTS & ACCESSORIES

### Product Sheet



PF10323



PF10322



PF10422

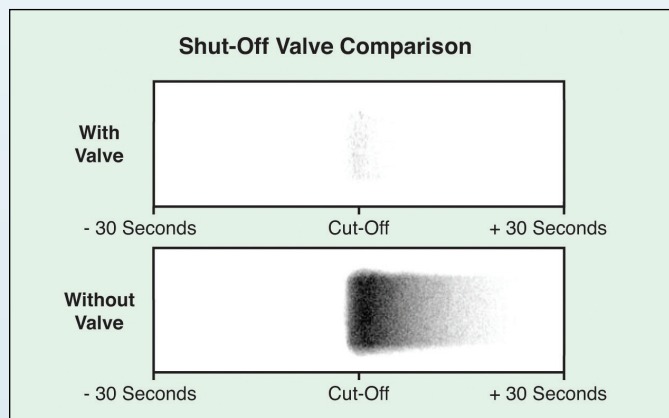
### Description

The Beckett CleanCut family of pumps has been developed to combine the benefits of a solenoid valve and the superior lift capabilities of traditional American pumps. We have added an additional supplier to this product offering, while keeping the field proven features and performance benefits that have become the standard of the industry.

The Beckett p/n PF10422 is a two-stage pump for use where lift requirements exceed 12'. The PF10422 is a direct replacement for Suntec B2VA-8216 when solenoid cutoff is desired. *Note: A GeniSys control with pre-purge or a Beckett PD Timer will be needed for proper burner operation. See reverse for instructions.*

### Features

- **Cleaner Operation** - The valve operation cuts oil flow almost instantly when power is cut to the solenoid coil, eliminating coasting stops that can cause soot formation on shut-down. The Beckett GeniSys and other pre-purge enabled controls or Beckett's PD timer work well with the CleanCut pump to bring the burner up to full speed before light-off. See illustration below.
- **More Reliable** - There are fewer moving parts compared to conventional pumps and fewer troublesome oil fittings to cause problems. In addition, all of the moving parts in the CleanCut pumps have been in use for years in both the US and in Europe.
- **Higher Capacity** - The unique design of the CleanCut pumps deliver up to 4 gallons per hour at 100 psi. (Note that applications above 3 gph will require an additional valve to meet UL requirements.)
- **Reduced Load on Motor** - Reduces load on the motor during start-up.



# CLEANCUT

## Oil Pumps

*Beckett*  
PARTS & ACCESSORIES

### Product Sheet

#### Pump Model Numbers

Beckett Part No.	Manufacturer Part No.	Description
PF10322	A2EA-6527	Single-Stage 4 GPH 120VAC
PF10323	071N1121	Single-Stage 4 GPH 120VAC
PF10422	B2EA-6550	Two-Stage 4 GPH 120VAC

120VAC pumps listed. For pumps with other voltage options listed above, please call Beckett or visit [www.beckettcorp.com](http://www.beckettcorp.com) for more information.

#### PD Timer

Make every pump replacement an opportunity to upgrade your installation. Add the clean burning benefits of valve function with precise, electronic delay without changing the control to add valve-on-delay (pre-purge).

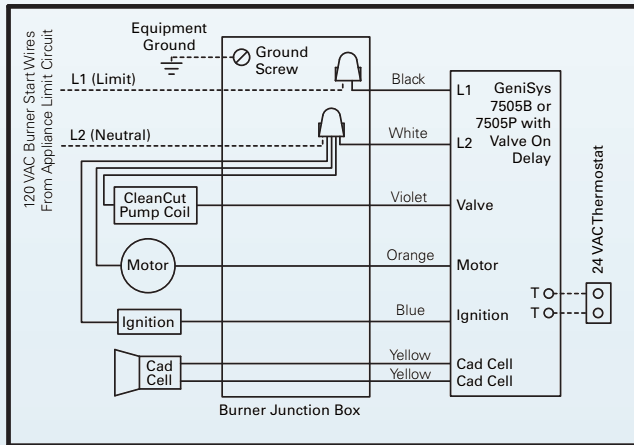


#### Specifications

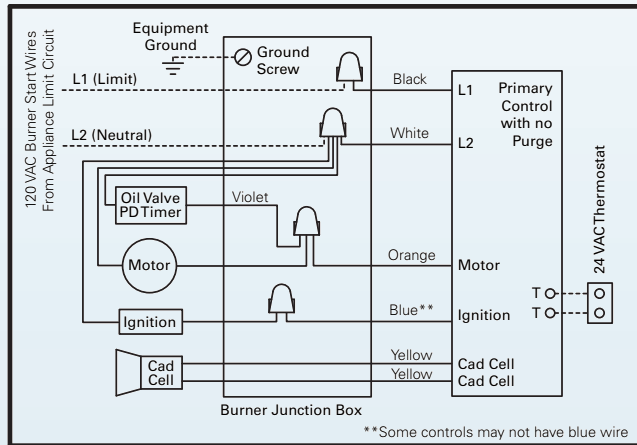
Nozzle Pressure Range	100-200 PSI
Factory Set Pressure	100 PSI
Capacity	4 GPH @ 100-150 PSI (#1 & #2 Fuel Oil) 3 GPH @ 100-200 PSI (#2 Fuel Oil)
Operating Fluids	#1 & #2 Fuel Oils Meeting ASTM D396 with Biodiesel blends up to 5% (B5) Viscosity 1.2 – 16 cSt
Inlet/Return Pressures	10 PSI*
Suction Height	One Pipe Supply: 6' Max. Two Pipe Supply: 12' Max. (PF10322 / PF10323) Two Pipe Supply: 17' Max. (Two-Stage PF10422)
Rated Speed	3450 RPM Nominal
Ambient temperature	32°F Min. / 140°F Max.
Electrical Ratings	120 VAC (102V Min. - 132V Max.) 9W Max. 220 / 240 VAC (187V Min. - 264V Max.) 9W Max. 12VDC (10.2V Min. - 16V Max.) 9W Max.
Certification	UL, CUL

\*System inlet / return pressures must conform to NFPA 31 (3 PSI) as well as any additional Federal, State, or Local codes.

#### Wiring with GeniSys Control



#### Wiring with PDTimer



\*\*Some controls may not have blue wire

R.W. BECKETT CORPORATION

USA: R.W. Beckett Corporation • ph: (800)645-2876 • fax: (800)800-9802 | Canada: R.W. Beckett Canada Ltd. • ph: (800)665-6972 • fax: (519)763-5656

[www.beckettcorp.com](http://www.beckettcorp.com)