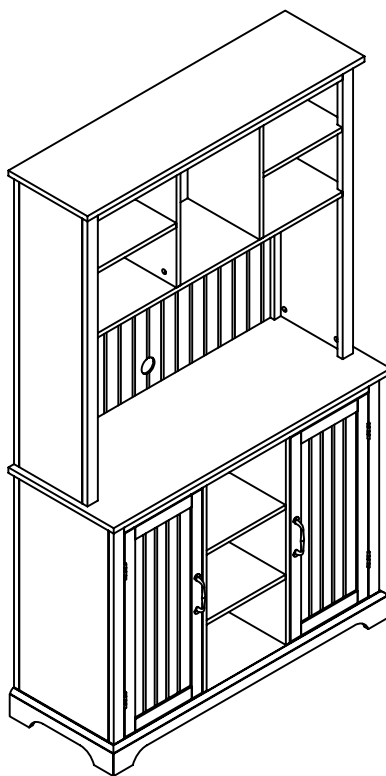


## USE AND CARE GUIDE

---

### BUFFET WITH HUTCH



Questions, problems, missing parts?  
Before returning to the store, call Customer Service.  
8 a.m. – 7 p.m., EST, Monday – Friday, 9 a.m. – 6 p.m., EST, Saturday

**1-877-527-0313**

**HOMEDEPOT.COM**

---

#### **THANK YOU**

*We appreciate the trust and confidence you have placed in StyleWell through the purchase of this buffet with hutch. We strive to continually create quality products designed to enhance your home. Visit us online to see our full line of products available for your home improvement needs. Thank you for choosing StyleWell!*

# Table of Contents

Table of Contents.....	2	Tools Required .....	4
Safety Information.....	2	Hardware Included.....	4
Warranty.....	3	Pre-assembly (continued).....	5
1 Year Warranty .....	3	Package Contents .....	5
What is Covered .....	3	Assembly .....	6
What is Not Covered .....	3		
Pre-assembly.....	4		
Planning Assembly.....	4		

# Safety Information



## DANGER

- Keep small parts away from children during assembly.
- Read and follow instructions carefully.



**NOTE:** If you are unsure about your wall type or what mounting method you should use, consult a qualified professional.



## WARNING

- Read these instructions carefully and keep in a safe place.
- **TO GUARANTEE THE SAFE USE OF THIS PRODUCT, FOLLOW THE WARNINGS, GUIDELINES AND RECOMMENDATIONS IN THIS MANUAL.**
- Adult assembly required.
- Small parts may present choking hazard prior to assembly.
- To further reduce the risk of serious injury and death from tip-overs:
  - Place heaviest items in the lowest compartments or drawers.
  - Never allow children to climb or hang on drawers, doors or shelves.
  - Never open more than one drawer at a time.
  - Use of tip-over restraints may only reduce, but not eliminate, the risk of tip-over.
  - For safe mounting, it is essential to use wall anchors appropriate to your wall type (i.e. plaster, drywall, concrete, etc). Mount to wood studs whenever possible.\*



## CAUTION

- Do not use power tools to assemble your furniture. Power tools may strip or damage parts/product.
- Do not overtighten connectors (screws, bolts, etc.). Overtightening can lead to product damage.
- Be sure to check all packing materials carefully for small parts that may have come loose inside the carton during shipment. If parts are missing, contact THE HOME DEPOT to obtain any missing parts.
- **DO NOT USE SUBSTITUTE PARTS.**
- This product should only be used on a flat, level surface.
- Product is designed to hold 106 pounds. Exceeding this limit may damage the product or cause injury to the user.

# Warranty

---

## **1 YEAR WARRANTY**

### **WHAT IS COVERED**

We guarantee this product to be free of manufacturing defects to the original purchaser for one year.

### **WHAT IS NOT COVERED**

This warranty does not cover commercial use, acts of nature, and abusive use.

# Pre-installation

## PLANNING INSTALLATION

Keep children and pets away from build area, make sure your area is large enough to unpack, sort and assemble the unit.

## TOOLS REQUIRED



Small head  
Phillips  
screwdriver

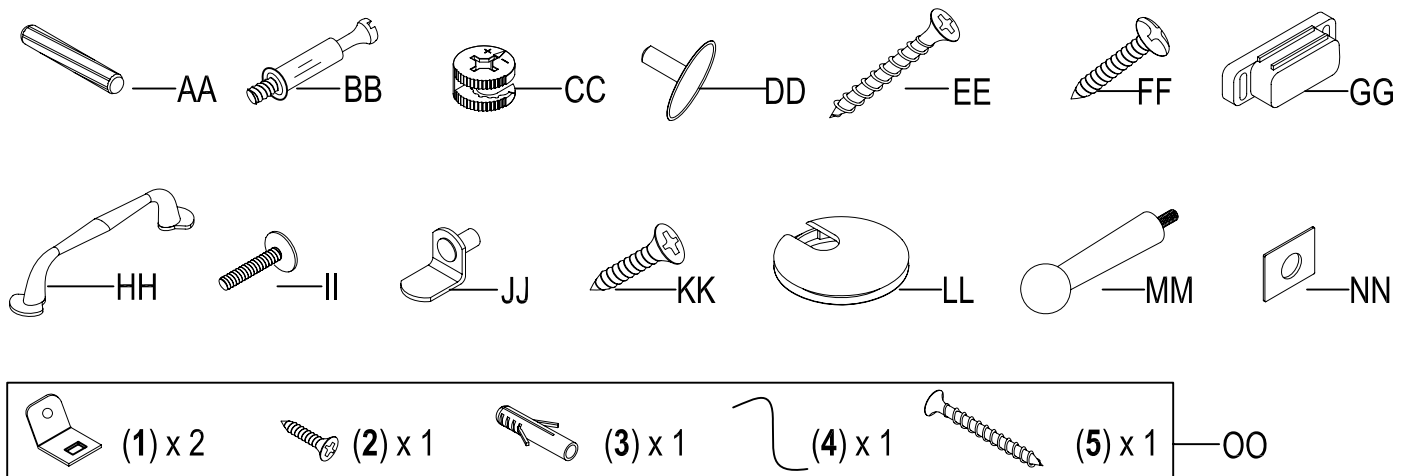


Large head  
Phillips  
screwdriver

## HARDWARE INCLUDED



NOTE: Hardware not shown to actual size.

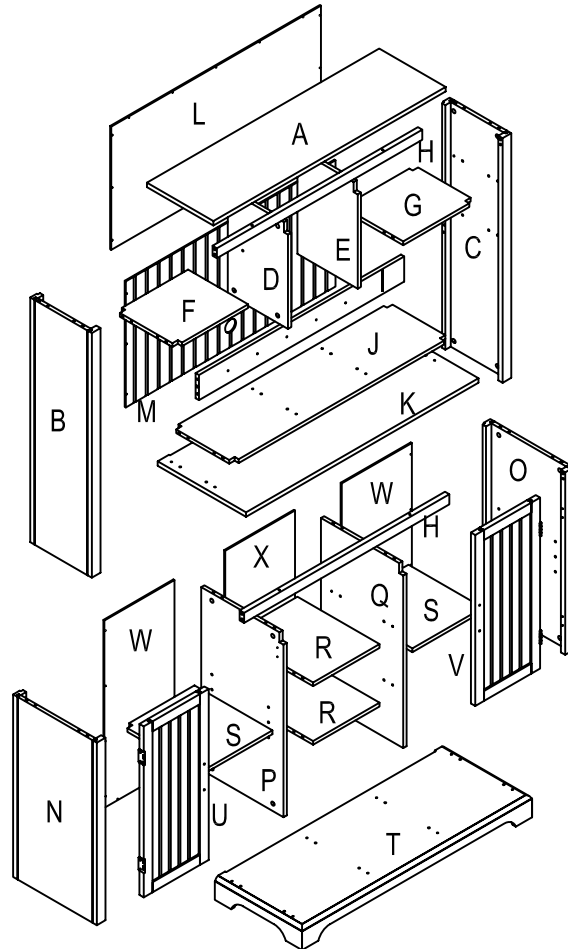


Part	Description	Quantity
AA	Wood dowel	64
BB	Cam lock bolt	54
CC	Cam lock	54
DD	Plastic cover	32
EE	1-1/2 in. Flat head screw	4
FF	5/8 in. Round head screw	51
GG	Magnet	2
HH	Handle	2

Part	Description	Quantity
II	Handle bolt	4
JJ	Shelf support	8
KK	1/2 in. Flat head screw	8
LL	Wire plug	1
MM	Wood hook	6
NN	Metal plate	16
OO	Anti-tipping hardware package	1

# Pre-installation (continued)

## PACKAGE CONTENTS



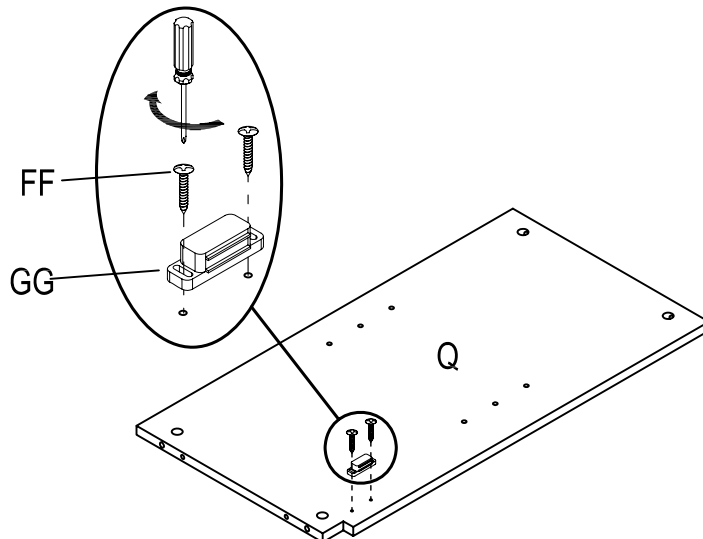
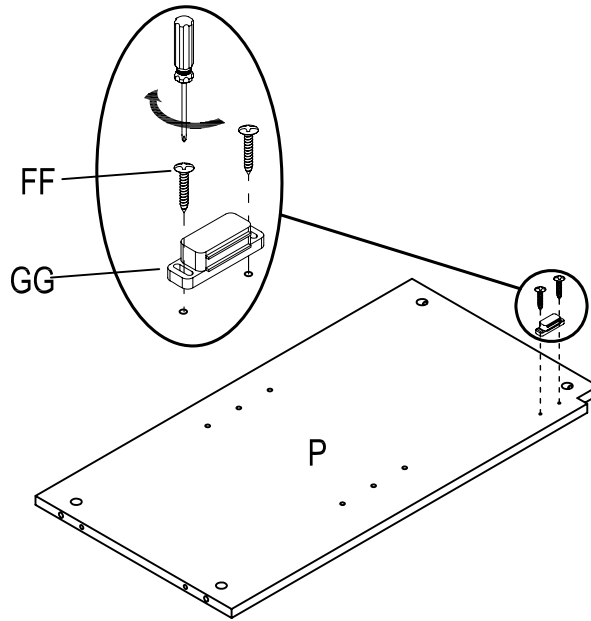
Part	Description	Quantity
A	Hutch top panel	1
B	Hutch left side panel	1
C	Hutch right side panel	1
D	Hutch left divider	1
E	Hutch right divider	1
F	Hutch left fixed panel	1
G	Hutch right fixed panel	1
H	Front cross bar	2
I	Back cross bar	1
J	Hutch bottom fixed panel	1
K	Buffet top panel	1
L	Hutch top back panel	1

Part	Description	Quantity
M	Hutch bottom back panel	1
N	Buffet left side panel	1
O	Buffet right side panel	1
P	Buffet left partition	1
Q	Buffet right partition	1
R	Buffet fixed panel	2
S	Buffet adjustable shelf	2
T	Buffet bottom panel	1
U	Buffet left door	1
V	Buffet right door	1
W	Buffet side back panel	2
X	Buffet middle back panel	1

# Assembly

## 1 Attaching the magnet

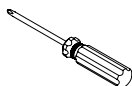
- Attach magnet (GG) to partitions (P) and (Q) with screw (FF) as shown.



5/8 in. Round  
head screw  
(FF) x 4

Magnet  
(GG) x 2

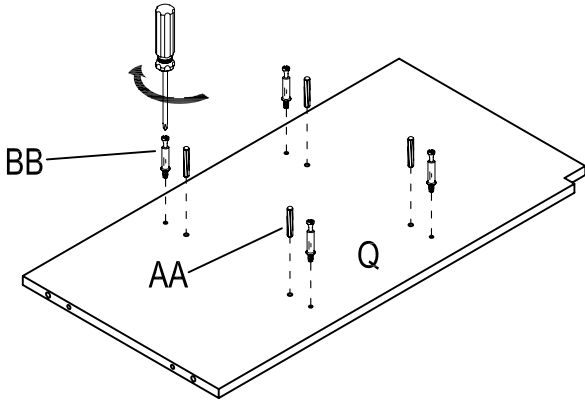
Small head



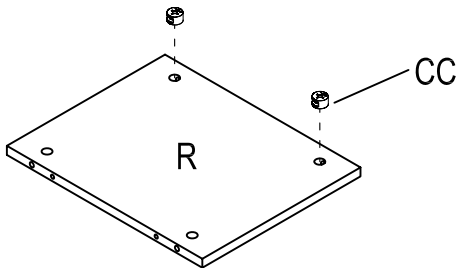
# Assembly (continued)

## 2 Attaching the buffet fixed panel to buffet right partition

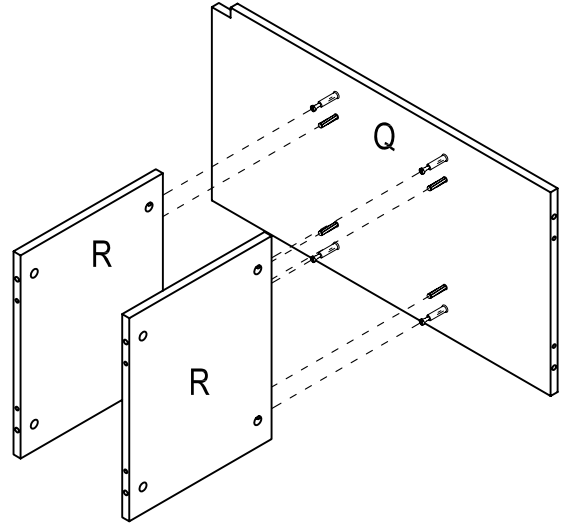
- a) Install dowel (AA) and bolt (BB) into partition (Q).



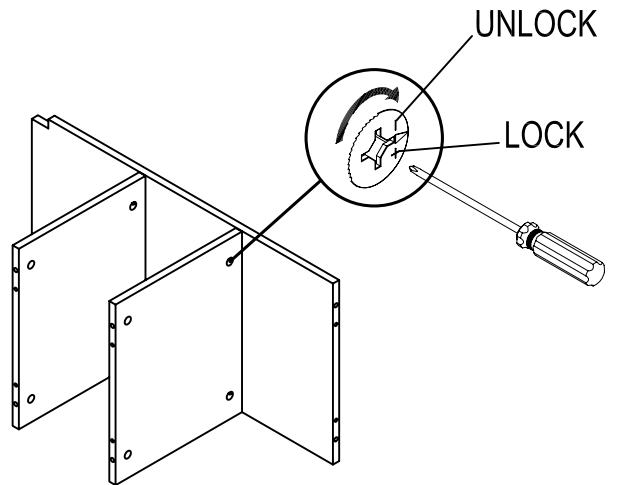
- b) Insert lock (CC) into panel (R).



- c) Join panel (R) to the partition (Q) with dowel (AA).



- d) Tighten bolt (BB) with lock (CC) in the pre-drilled holes.

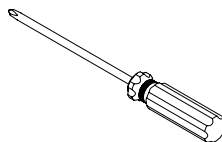
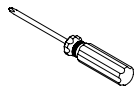
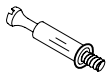
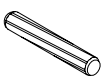


Wood dowel    Cam lock bolt    Cam lock    Small head    Large head

(AA) x 4

(BB) x 4

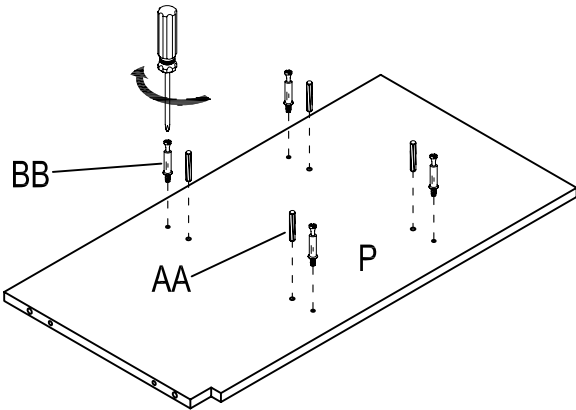
(CC) x 4



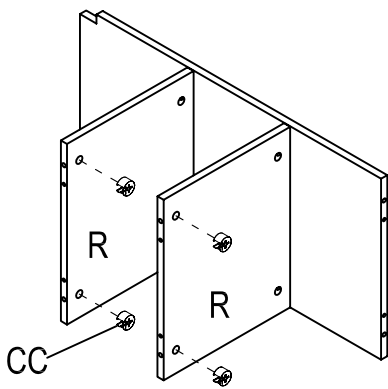
# Assembly (continued)

## 3 Attaching the buffet left partition

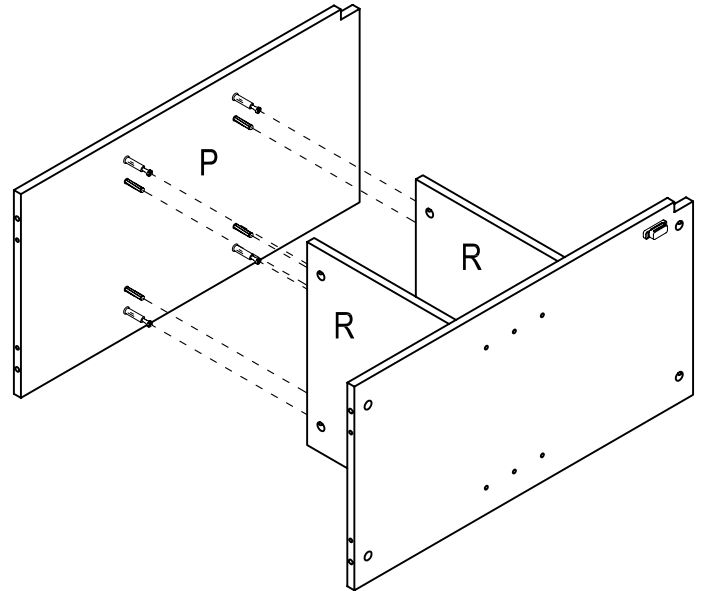
- a) Install dowel (AA) and bolt (BB) into partition (P).



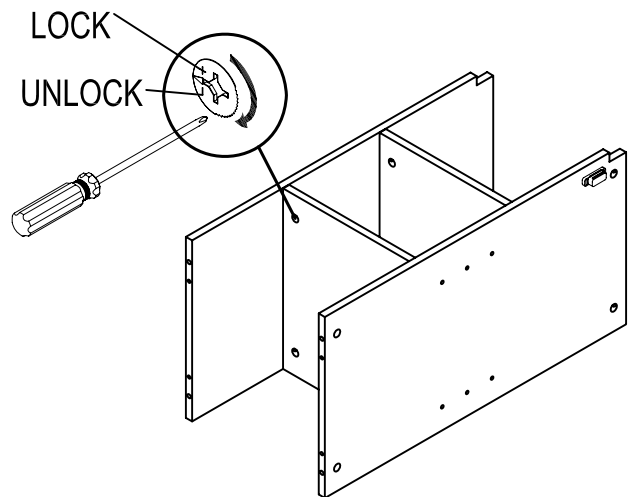
- b) Insert lock (CC) into panel (R).



- c) Join partition (P) to the assembled body with dowel (AA).



- d) Tighten bolt (BB) with lock (CC) in the pre-drilled holes.

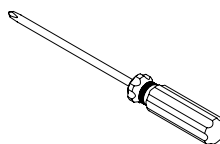
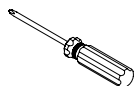
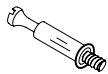
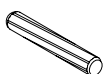


Wood dowel    Cam lock bolt    Cam lock    Small head    Large head

(AA) x 4

(BB) x 4

(CC) x 4

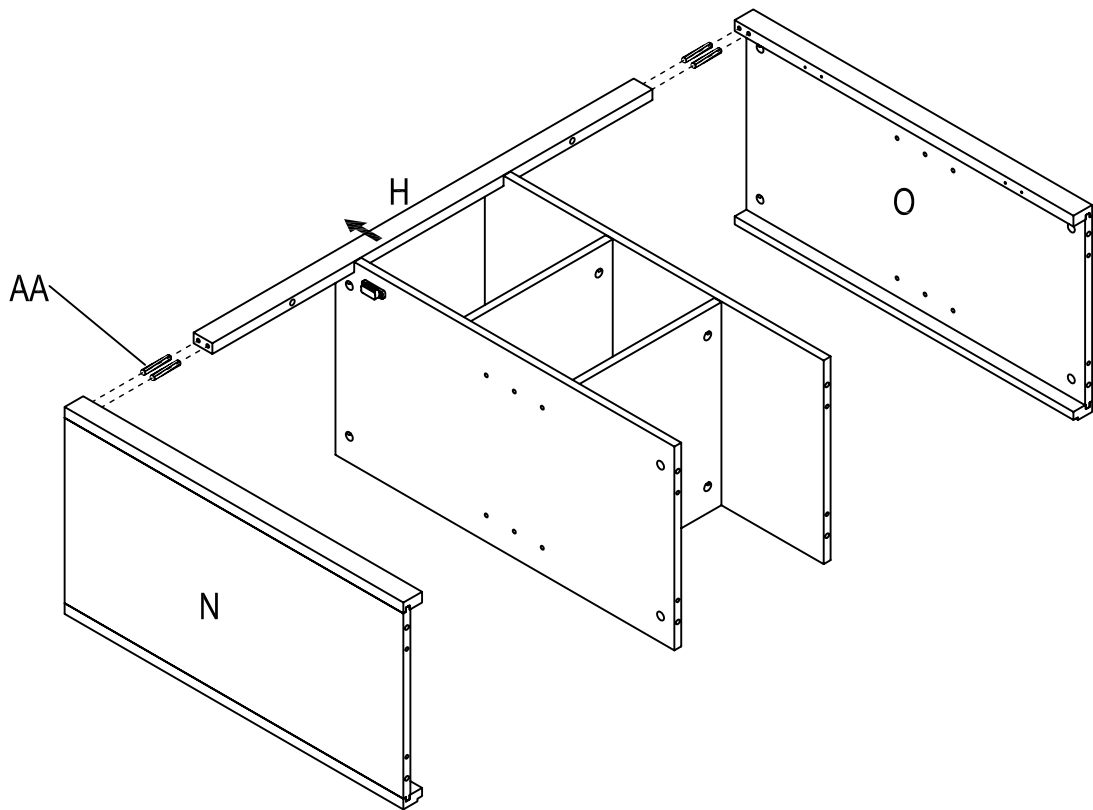




## Assembly (continued)

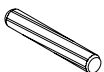
### 4 Joining the front cross bar to buffet both side panels

- Join bar (H) to the panels (N) and (O) with dowel (AA) as shown.



Wood dowel

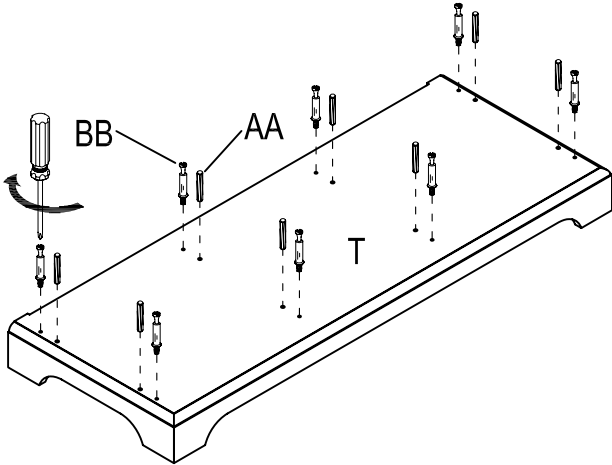
(AA) x 4



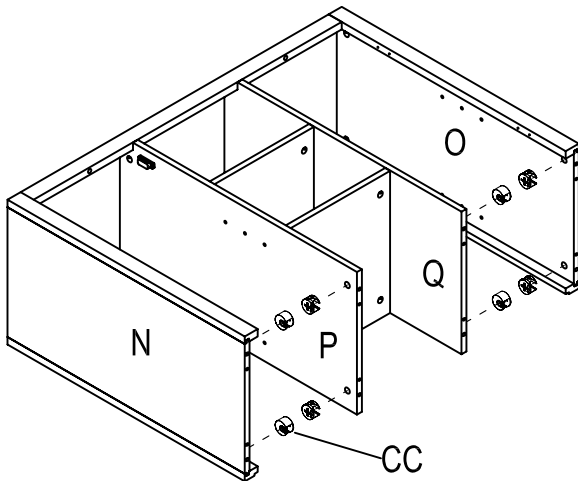
# Assembly (continued)

## 5 Attaching buffet bottom panel

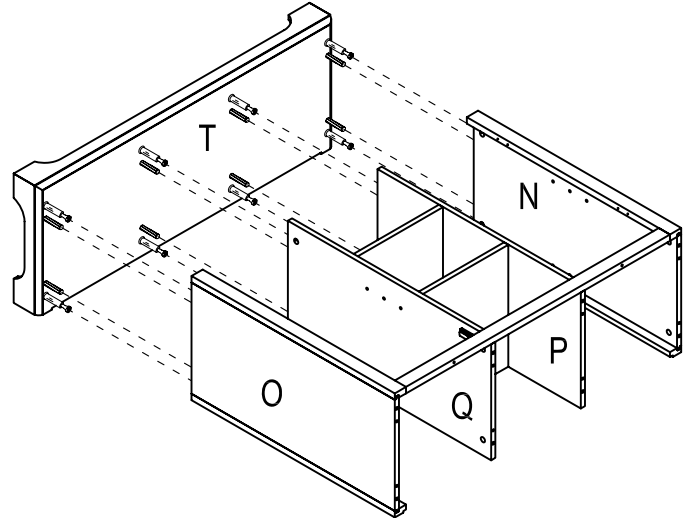
- a) Install dowel (AA) and bolt (BB) into panel (T).



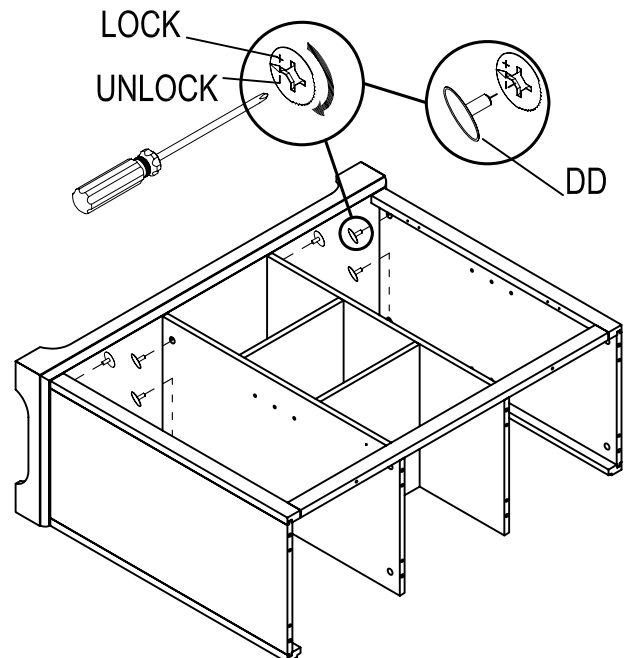
- b) Insert lock (CC) into panels (N) and (O), and partitions (P) and (Q).



- c) Join panel (T) to the assembled body with dowel (AA).



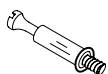
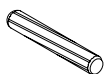
- d) Tighten bolt (BB) with lock (CC) in the pre-drilled holes.



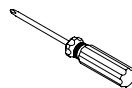
- e) Cover the cam holes with the cover (DD).

Wood dowel    Cam lock bolt    Cam lock    Plastic cover

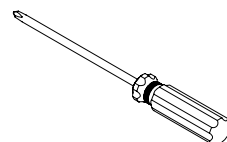
(AA) x 8    (BB) x 8    (CC) x 8    (DD) x 8



Small head



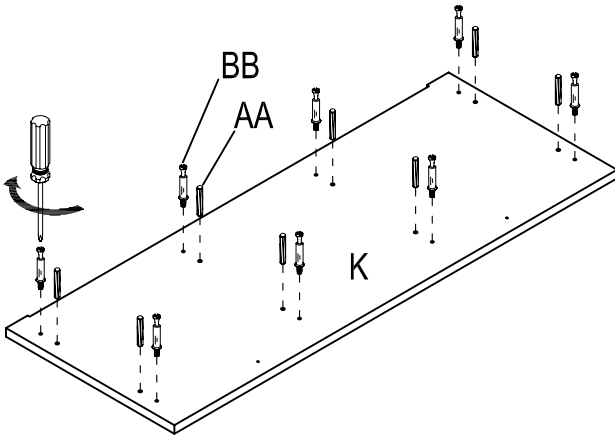
Large head



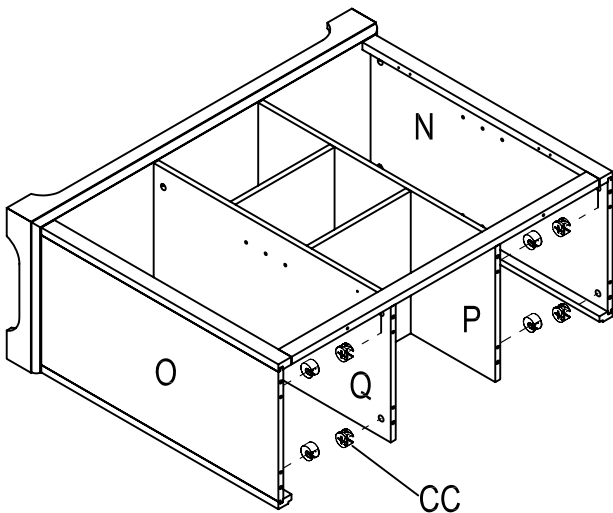
# Assembly (continued)

## 6 Attaching buffet top panel

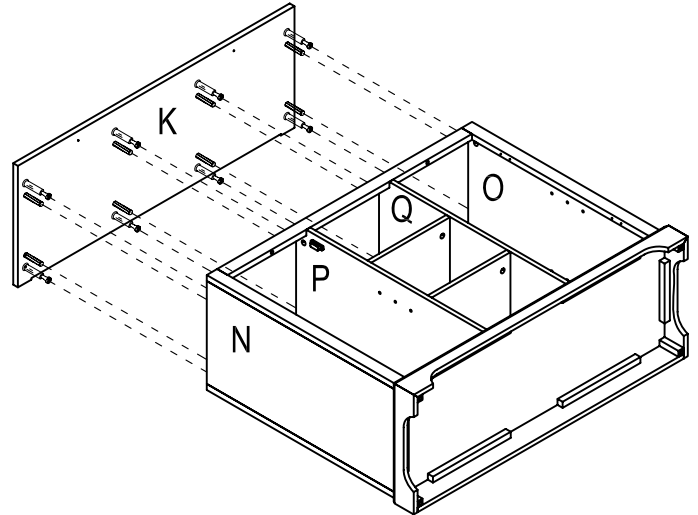
- a) Install dowel (AA) and bolt (BB) into panel (K).



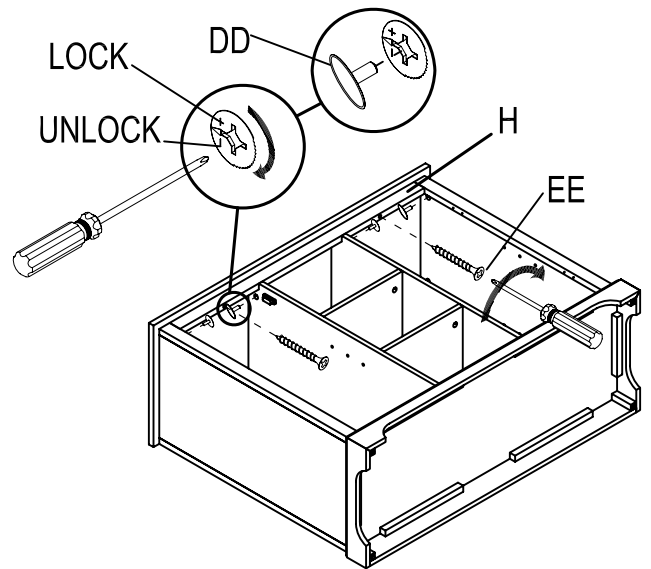
- b) Insert lock (CC) into panels (N) and (O), and partitions (P) and (Q).



- c) Join panel (K) to the assembled body with dowel (AA).



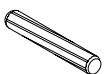
- d) Tighten bolt (BB) with lock (CC) in the pre-drilled holes.



- e) Tighten bar (H) with screw (EE). Cover the cam holes with the cover (DD).

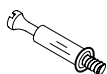
Wood dowel

(AA) x 8



Cam lock bolt

(BB) x 8



Cam lock

(CC) x 8

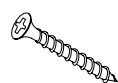


Plastic cover

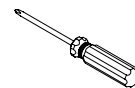
(DD) x 8



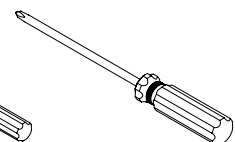
1-1/2 in. Flat head screw (EE) x 2



Small head



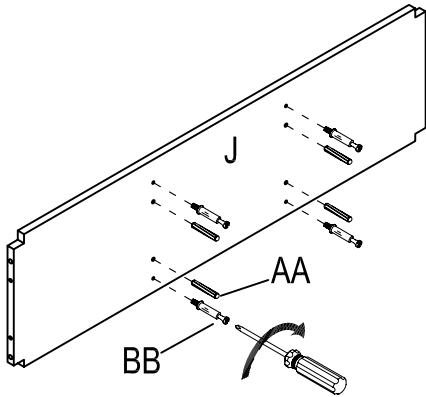
Large head



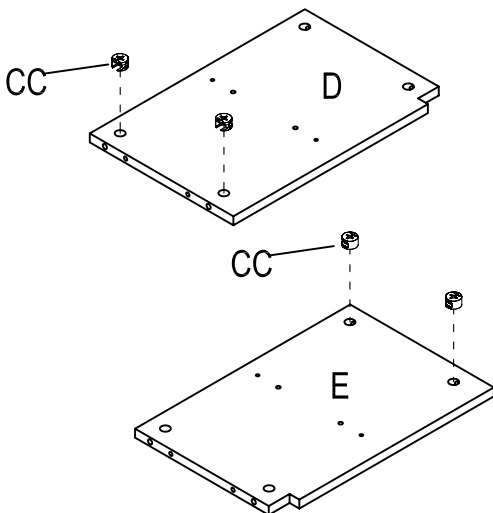
# Assembly (continued)

## 7 Attaching the hutch dividers

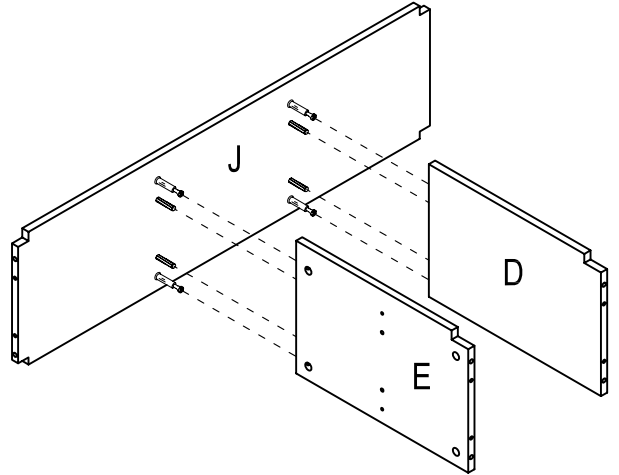
- a) Install dowel (AA) and bolt (BB) into panel (J).



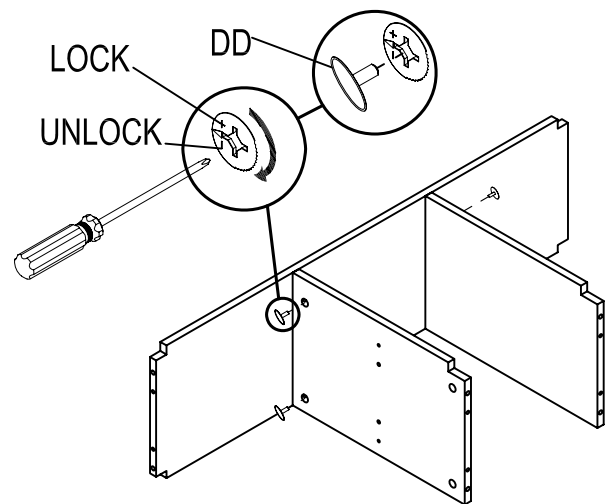
- b) Insert lock (CC) into dividers (D) and (E).



- c) Join dividers (D) and (E) to the panel (J) with dowel (AA).



- d) Tighten bolt (BB) with lock (CC) in the pre-drilled holes.



- e) Cover the cam holes with the cover (DD).

Wood dowel

Cam lock bolt

Cam lock

Plastic cover

Small head

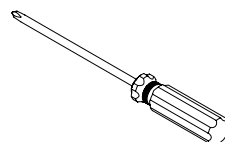
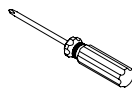
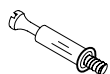
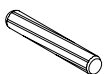
Large head

(AA) x 4

(BB) x 4

(CC) x 4

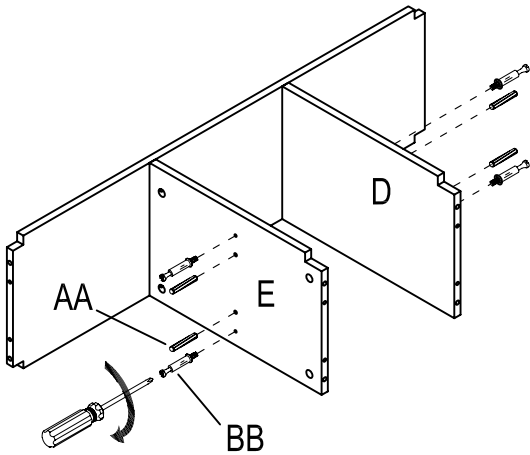
(DD) x 4



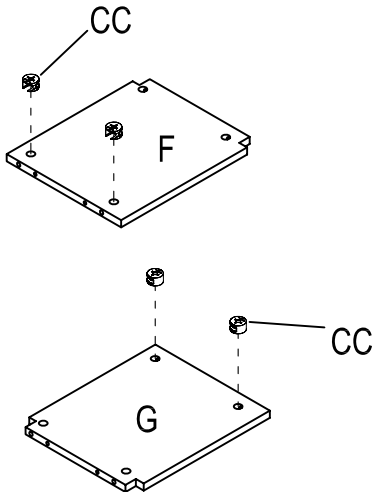
# Assembly (continued)

## 8 Attaching hutch left fixed panel and hutch right fixed panel

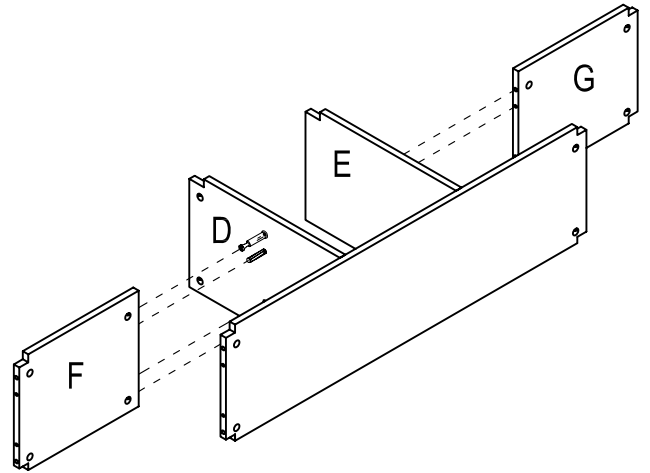
- a) Install dowel (AA) and bolt (BB) into dividers (E) and (D).



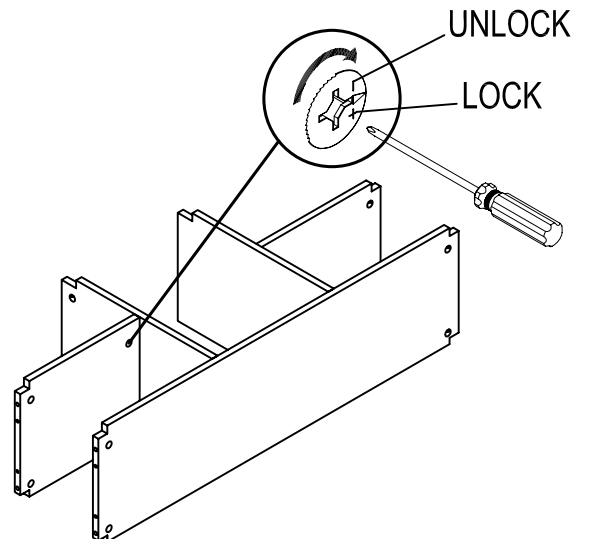
- b) Insert lock (CC) into panels (F) and (G).



- c) Join panel (F) to the divider (D) with dowel (AA).  
Join panel (G) to the divider (E) with dowel (AA).



- d) Tighten bolt (BB) with lock (CC) in the pre-drilled holes.

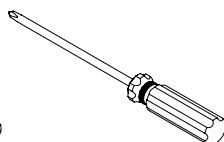
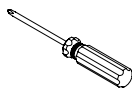
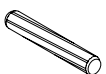


Wood dowel    Cam lock bolt    Cam lock    Small head    Large head

(AA) x 4

(BB) x 4

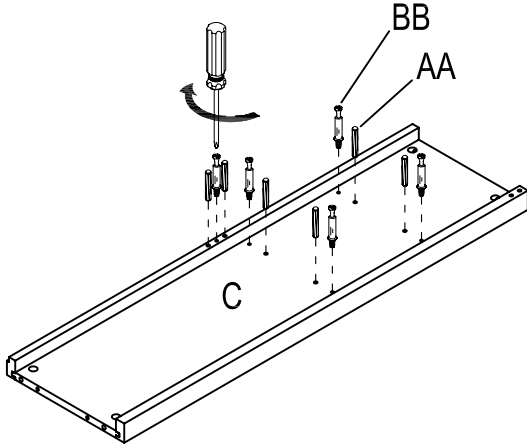
(CC) x 4



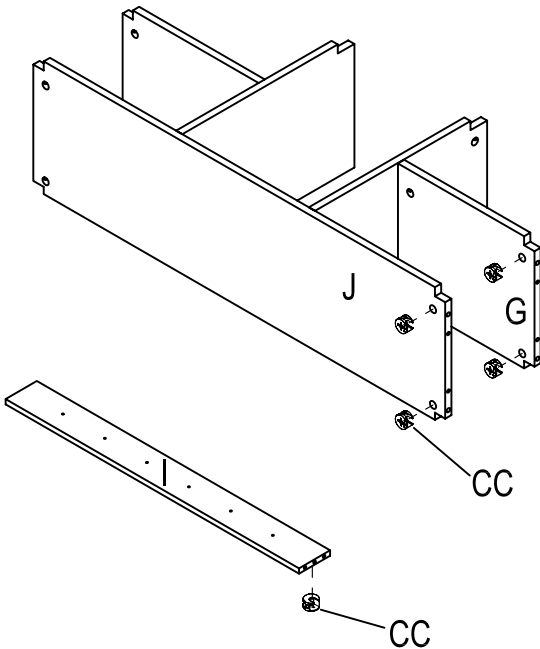
# Assembly (continued)

## 9 Attaching hutch right side panel

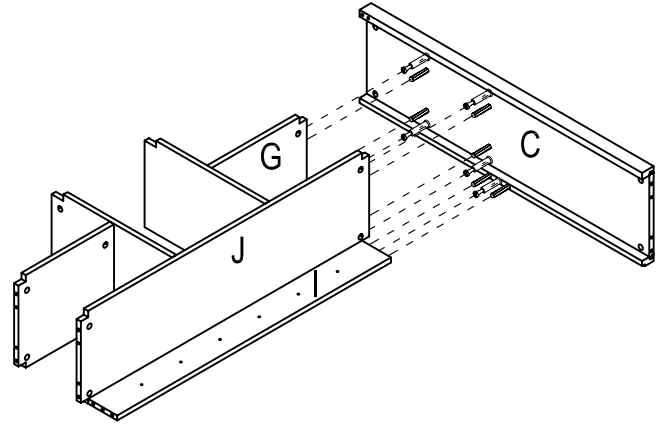
- a) Install dowel (AA) and bolt (BB) into panel (C).



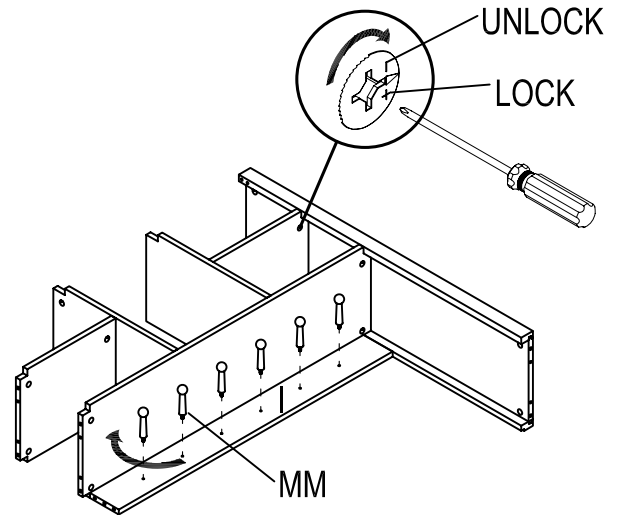
- b) Insert lock (CC) into panels (G) and (J), and bar (I).



- c) Join panel (C) to the assembled body with dowel (AA).



- d) Tighten bolt (BB) with lock (CC) in the pre-drilled holes. Tighten hook (MM) to bar (I)



Wood dowel

Cam lock bolt

Cam lock

Wood hook

Small head

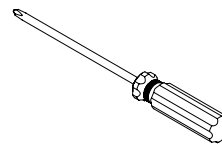
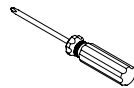
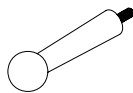
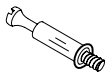
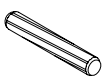
Large head

(AA) x 6

(BB) x 5

(CC) x 5

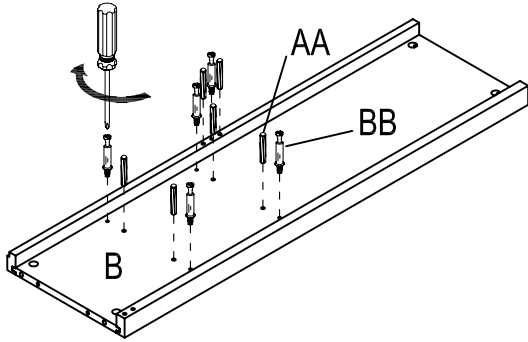
(MM) x 6



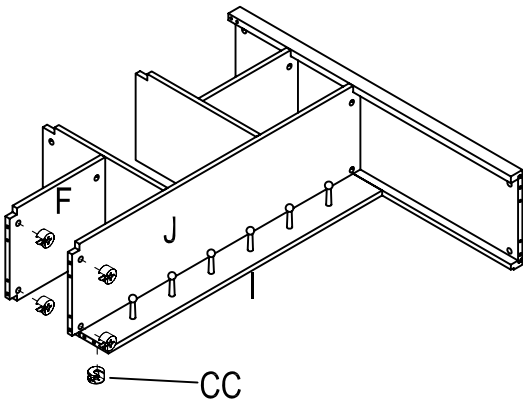
# Assembly (continued)

## 10 Attaching hutch left side panel and the front cross bar

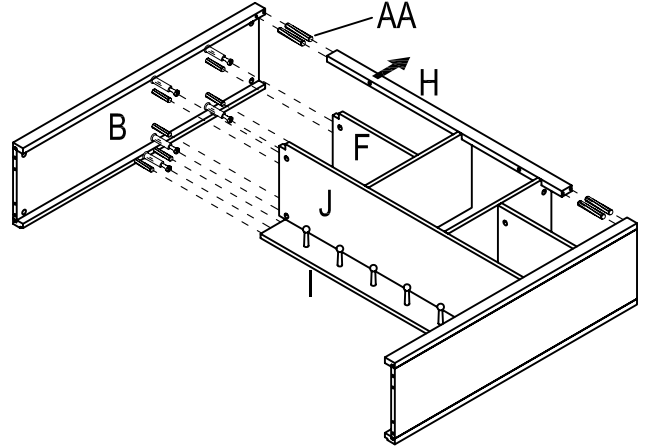
- a) Install dowel (AA) and bolt (BB) into panel (B).



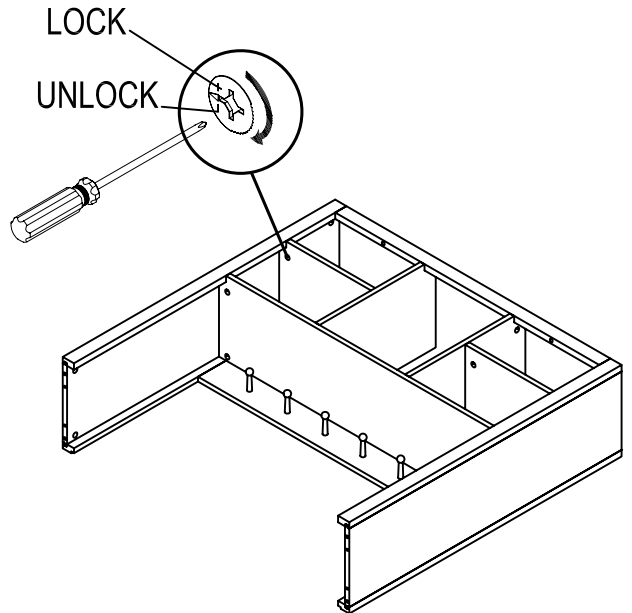
- b) Insert lock (CC) into panels (F) and (J), and bar (I).



- c) Join panel (B) and bar (H) to the assembled body with dowel (AA).



- d) Tighten bolt (BB) with lock (CC) in the pre-drilled holes.

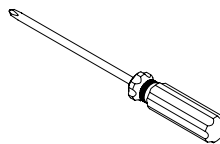
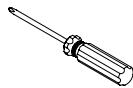
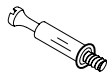
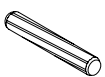


Wood dowel    Cam lock bolt    Cam lock    Small head    Large head

(AA) x 10

(BB) x 5

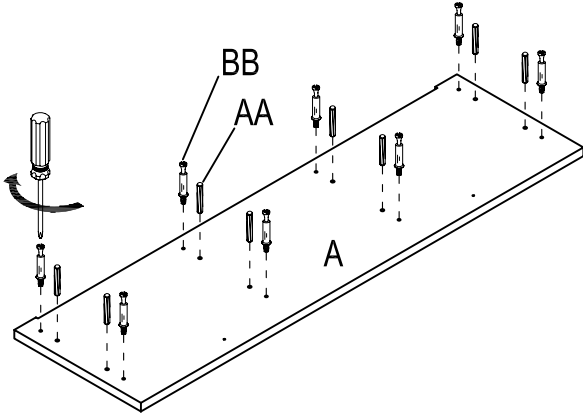
(CC) x 5



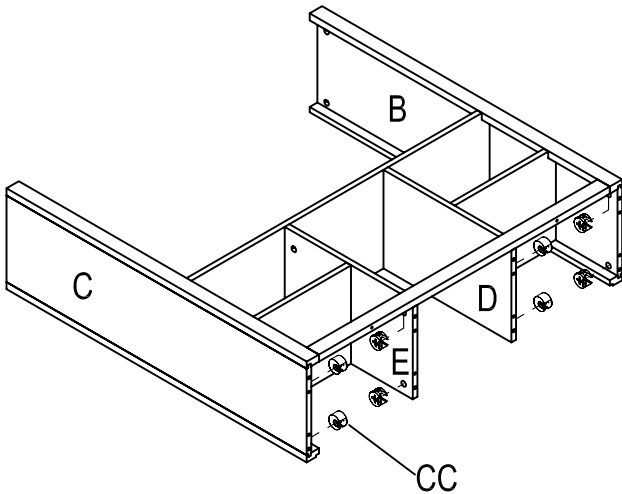
# Assembly (continued)

## 11 Attaching hutch top panel

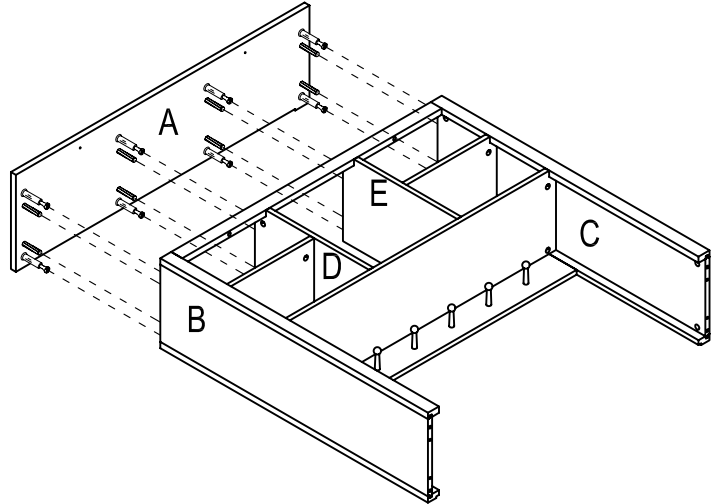
- a) Install dowel (AA) and bolt (BB) into panel (A).



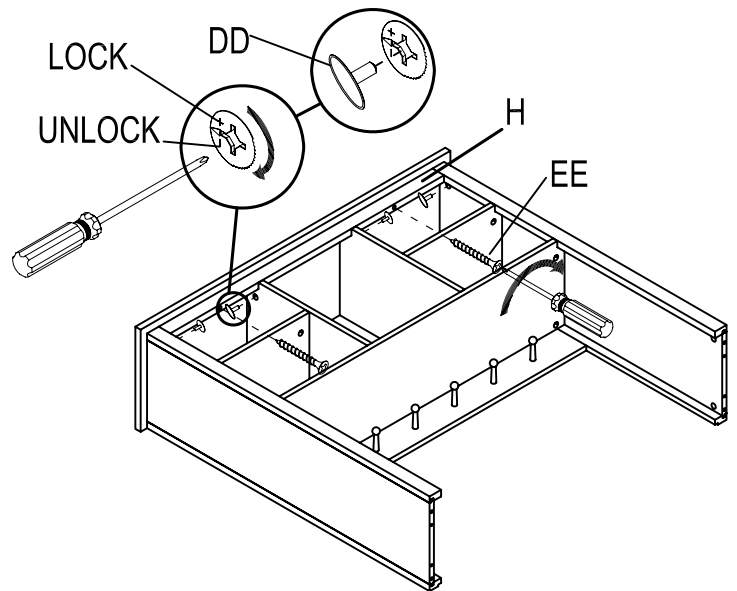
- b) Insert lock (CC) into panels (B) and (C), and dividers (D) and (E).



- c) Join panel (A) to the assembled body with dowel (AA).



- d) Tighten bolt (BB) with lock (CC) in the pre-drilled holes. Tighten bar (H) with screw (EE).



- e) Cover the cam holes with the cover (DD).

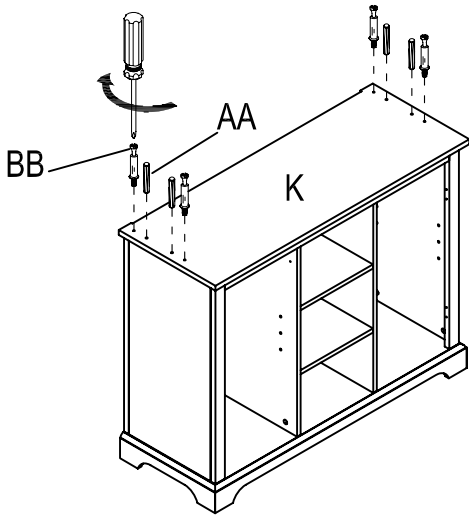
Wood dowel	Cam lock bolt	Cam lock	Plastic cover	1-1/2 in. Flat head screw	Small head	Large head
(AA) x 8	(BB) x 8	(CC) x 8	(DD) x 8	(EE) x 2		



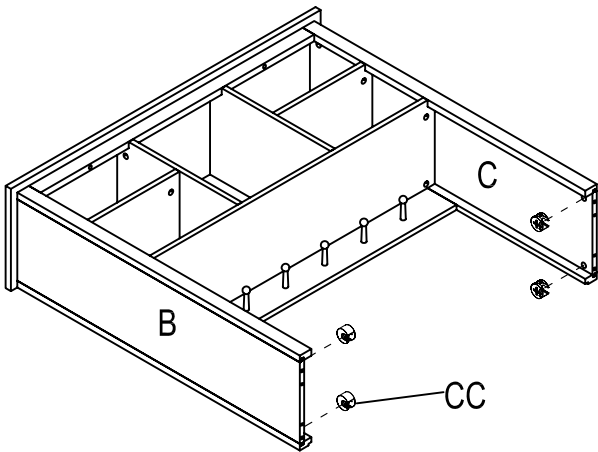
# Assembly (continued)

## 12 Assembling the hutch

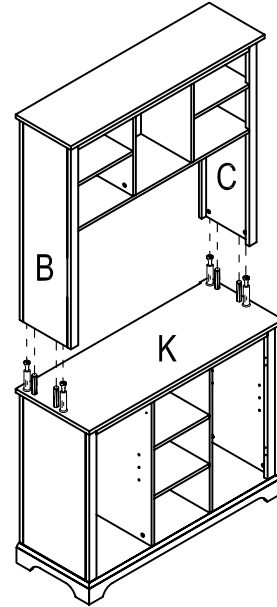
- a) Install dowel (AA) and bolt (BB) into panel (K).



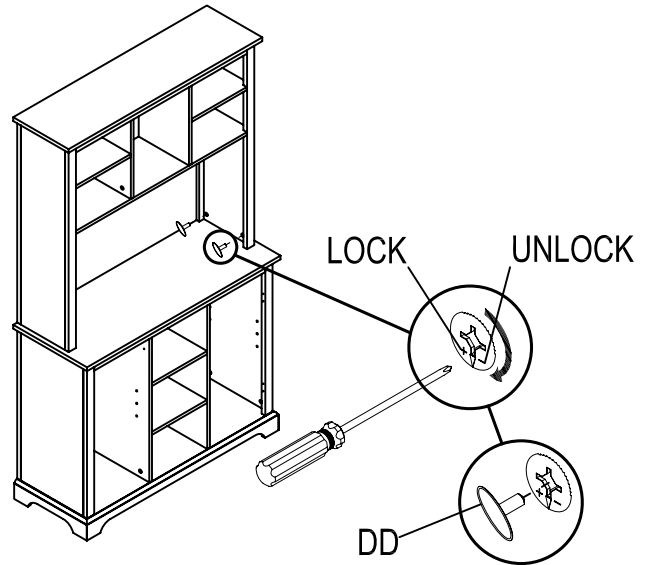
- b) Insert lock (CC) into panels (B) and (C).



- c) Join panels (B) and (C) to the assembled body with dowel (AA).



- d) Tighten bolt (BB) with lock (CC) in the pre-drilled holes.



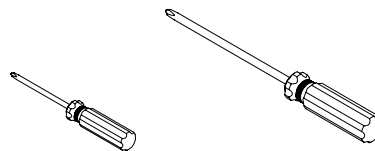
- e) Cover the cam holes with the cover (DD).

Wood dowel    Cam lock bolt    Cam lock    Plastic cover

(AA) x 4    (BB) x 4    (CC) x 4    (DD) x 4



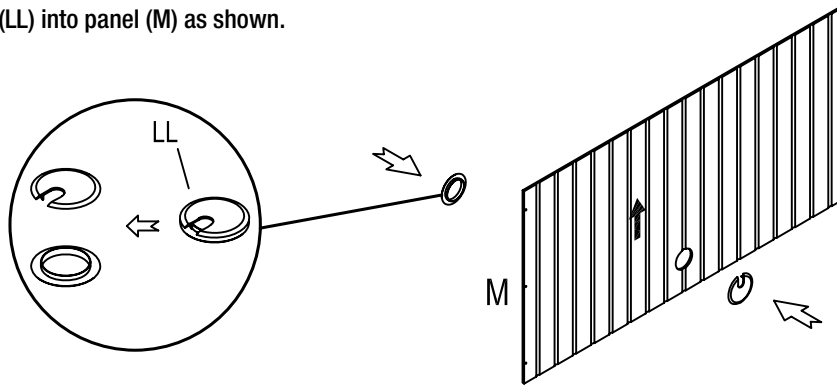
Small head    Large head



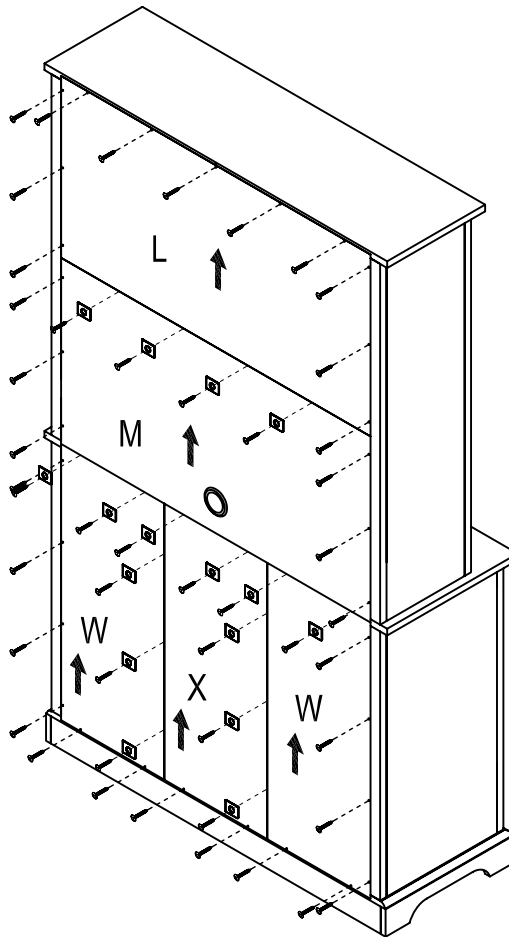
## Assembly (continued)

### 13 Assembling the back panel

- a) Install wire plug (LL) into panel (M) as shown.



- b) Tighten panels (L), (M), (W), and (X) to the assembled body with screws (FF) and metal plates (NN) as shown.



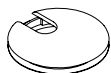
5/8 in. Round  
head screw  
(FF) x 47



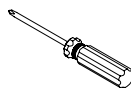
Metal plate  
(NN) x 16



Wire plug  
(LL) x 1



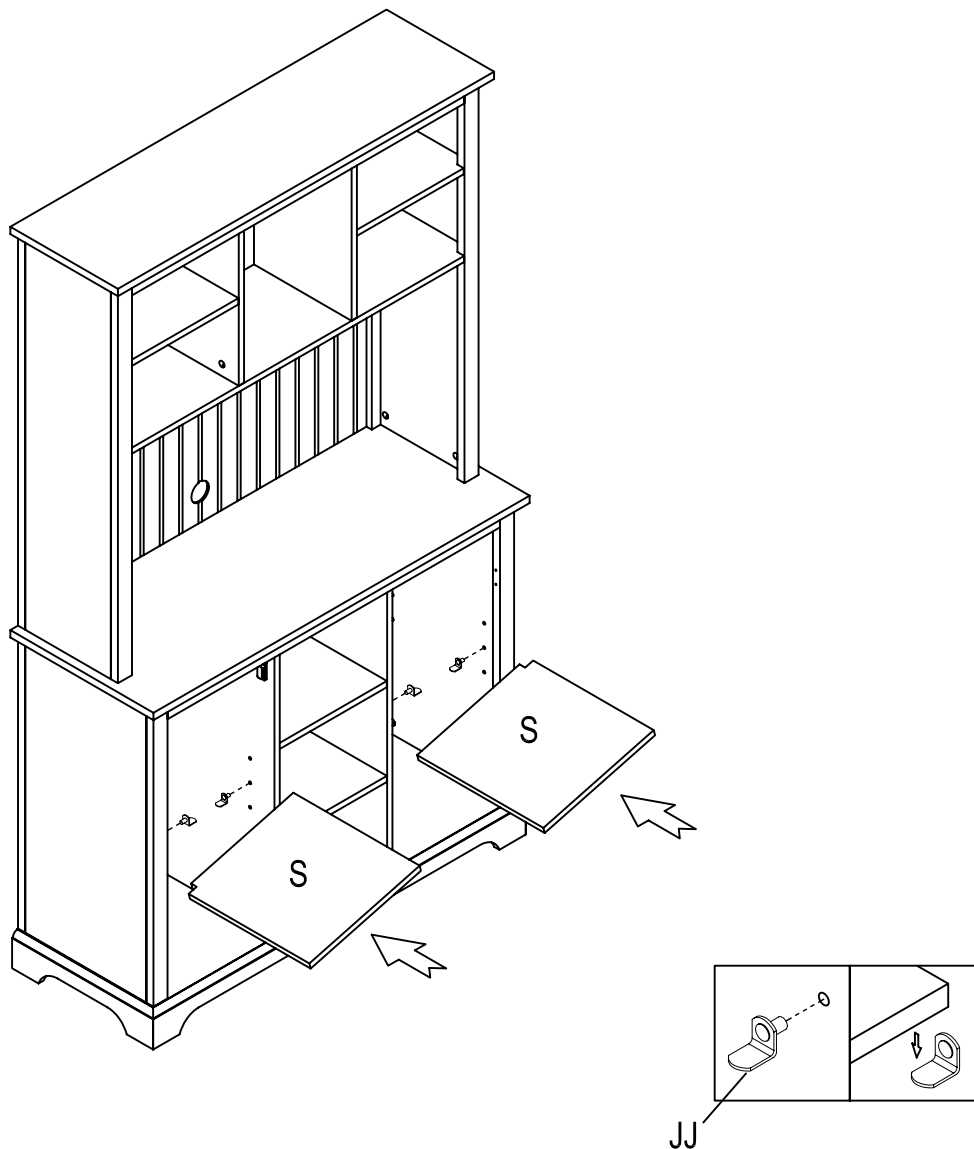
Small head



## Assembly (continued)

### 14 Assembling the adjustable shelf

- Insert shelf supports (JJ) in desired positions and place shelf (S) on the supports.



Shelf support

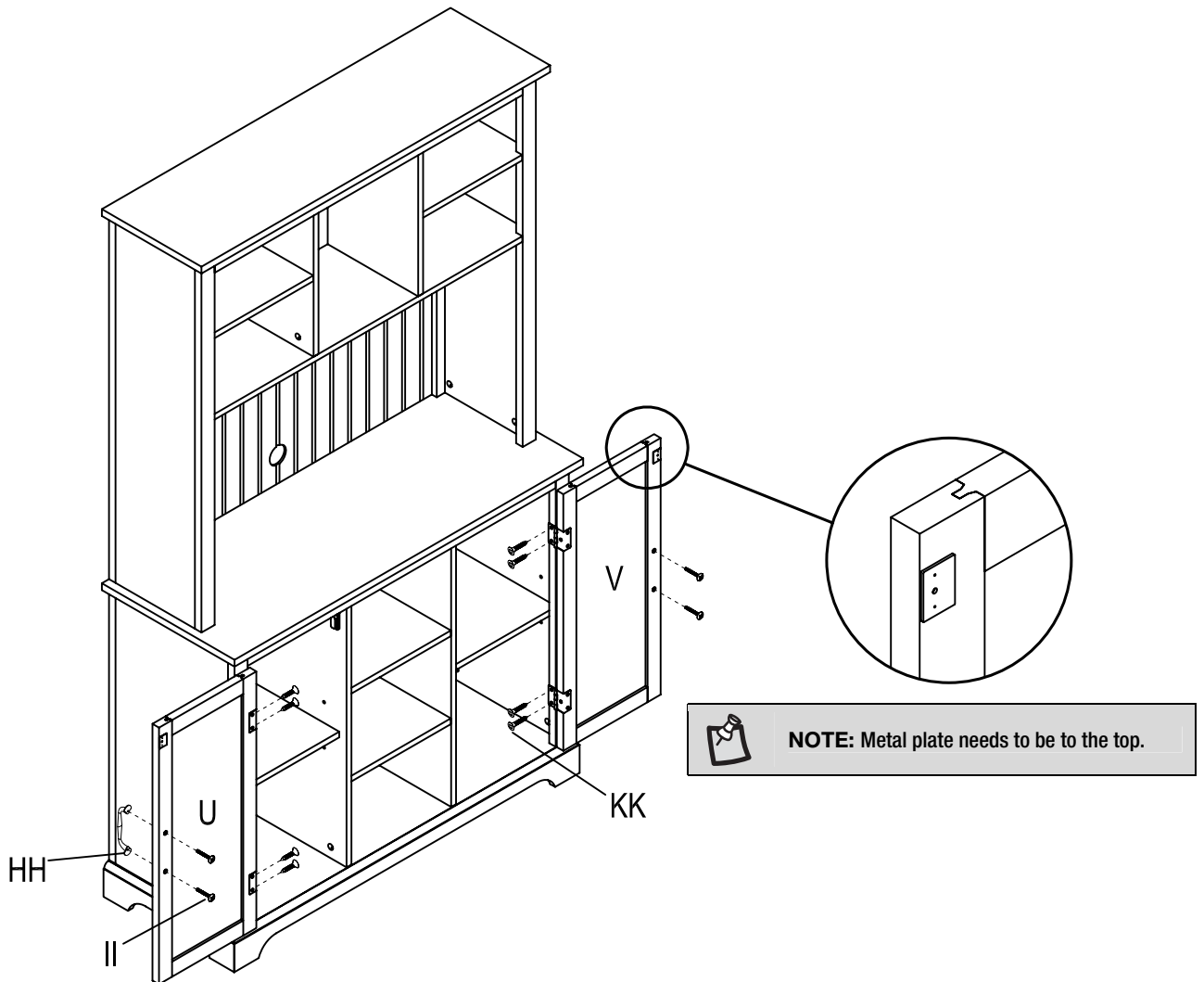
(JJ) x 8



## Assembly (continued)

# 15 Attaching the door

- a) Attach left door (U) and right door (V) to the assembled body with screw (KK) as shown.



- b) Attach handle (HH) to door (U) and door (V) with the bolt (II).

 **NOTE:** A helper who can hold the door in position makes the door installation easier.

1/2 in. Flat head screw

Handle

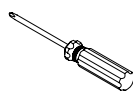
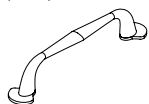
Handle bolt

Small head

(KK) x 8

(HH) x 2

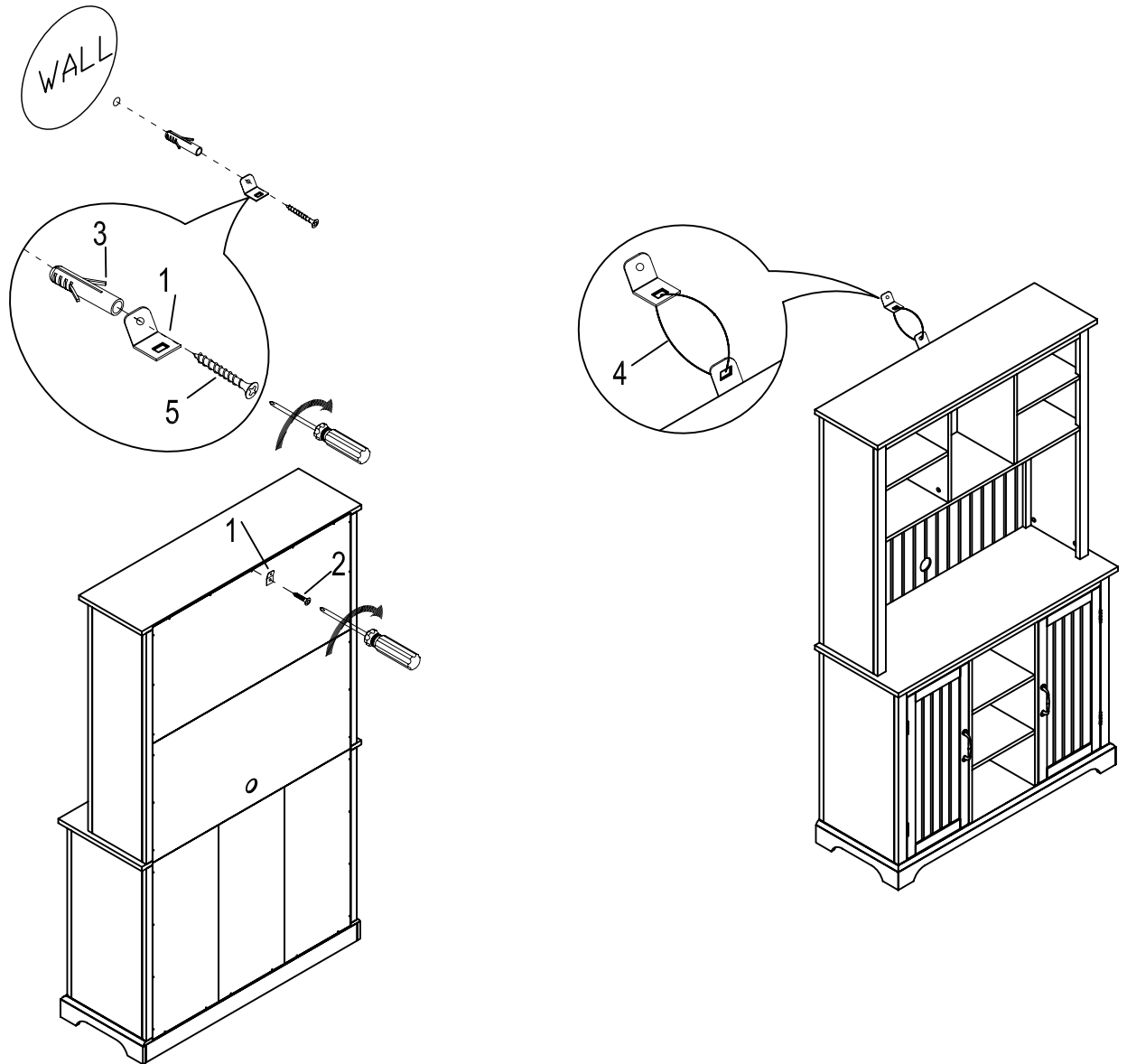
(II) x 4





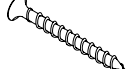
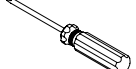


## Assembly (continued)

# 16 Finalizing the assembly

- Install the anti-tipping hardware as shown.



Rectangle metal plate (1) x 2	1/2 in. Flat head screw (2) x 1	Plastic anchor (3) x 1	Plastic band (4) x 1	1-1/2 in. Flat head screw (5) x 1	Small head
					

# StyleWell.™

Questions, problems, missing parts?  
Before returning to the store, call Customer Service  
8 a.m. – 7 p.m., EST, Monday – Friday, 9 a.m. – 6 p.m., EST, Saturday

**1-877-527-0313**

**HOMEDEPOT.COM**

Retain this manual for future use.