

**CENTERSET LAVATORY FAUCET
K-393**

Features

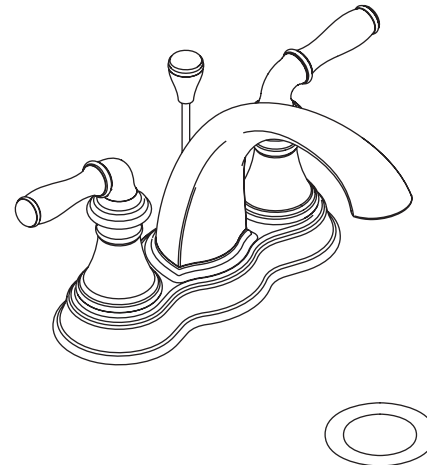
- Metal construction
- Brass valve bodies
- Quarter-turn washerless ceramic disc valves
- Lever handles are ADA compliant
- For 4" (10.2 cm) centers
- Pop-up drain with lift rod and tailpiece
- 4-3/4" (12.1 cm) spout reach
- 1.5 gallons (5.7 liters) per minute maximum flow rate



Codes/Standards Applicable

Specified model meets or exceeds the following at date of manufacture:

- ADA
- ASME A112.18.1/CSA B125.1
- ICC/ANSI A117.1
- NSF 61
- Energy Policy Act of 1992
- EPA WaterSense®
- All applicable US Federal and State material regulations



Colors/Finishes

- CP: Polished Chrome
- Other: Refer to Price Book for additional colors/finishes

Specified Model

Model	Description	Colors/Finishes	
K-393-N4	Centerset lavatory faucet	<input type="checkbox"/> CP	<input type="checkbox"/> Other _____
Optional Accessories			
Additional flow options are available (refer to the Kohler Price Book)			

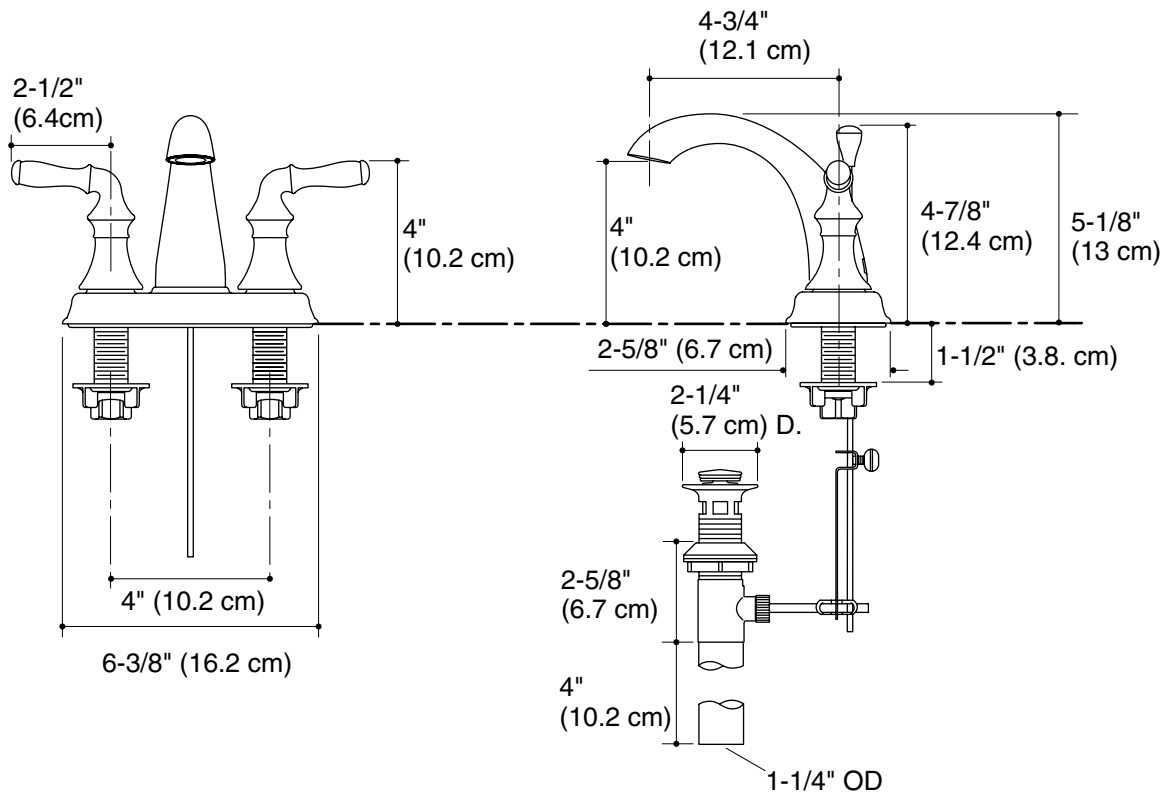
Product Specification

The two-handle centerset lavatory faucet shall be of metal construction with brass valve bodies. Product shall have a maximum flow rate of 1.5 gallons (5.7 liters) per minute. Product shall feature quarter-turn washerless ceramic disc valves. Product shall be for 4" (10.2 cm) centers. Product shall feature a 4-3/4" (12.1 cm) spout reach, pop-up drain with lift rod and tailpiece, and lever handles which are ADA compliant. Faucet shall be Kohler Model K-393-N4-_____.

DEVONSHIRE®

Installation Notes

Install this product according to the installation guide.



Product Diagram