

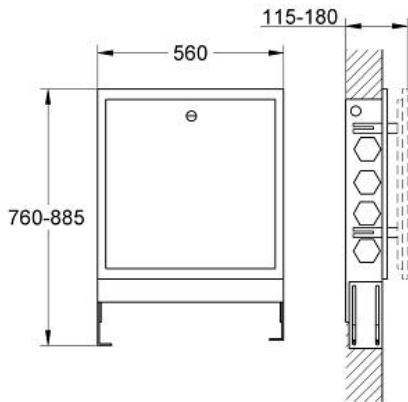
GROHE F-DIGITAL DELUXE

MODEL # 36367

Pure Freude an Wasser



GROHE America, Inc | 200 North Gary Avenue, Suite G, Roselle, IL 60172
Phone: +1 (800) 444-7643 | Fax: +1 (800) 225-2778 | us-customerservice@grohe.com



Product Description:

Standard Specification:

- 550 x 700 x 110 mm
- Height (100 mm) and depth (50 mm) adjustable
- Removable front panel for installation
- Adjustable front frame for installation in wall niche
- Galvanized and powder-coated (RAL 9010, pure white) steel plate
- 1 mm thick steel plate
- Two mounting rails and an elbow for power outlets and mounting materials

Color:

- 36367 000 no colour