



Buy it for looks. Buy it for life.®

DESCRIPTION

- Chrome plated metal construction
- Pressure balancing cycle valve design with an adjustable temperature limit stop
- 1/2" IPS/CC connections
- Includes valve, tub spout, showerhead, arm and flange
- Lever and optional knob handle included

OPERATION

- Lever style handle
- Handle operates counterclockwise through a 270° arc with off at 6 o'clock and maximum hot at the 9 o'clock position. Shut off in clockwise direction
- Adjustable temperature limit stop to control maximum hot water temperature
- Pressure balancing mechanism maintains selected discharge temperature to ± 2°


FLOW

- Showerhead is limited to 1.75 gpm (6.6 L/min)

CARTRIDGE

- 1222 cartridge design
- Nonmetallic/nonferrous and stainless steel materials
- Accommodates back to back installations

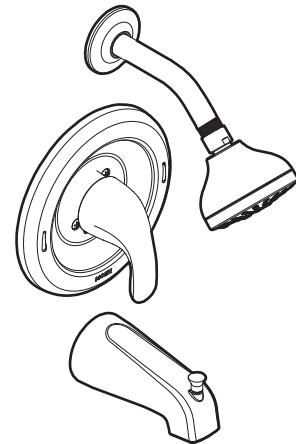
STANDARDS

- Third party certified to meet ASME A112.18.1/CSA B-125.1 and all applicable requirements referenced therein
- Compliant with California water efficiency regulations
- **ADA**  for lever handle
- Meets Watersense® criteria
- Meets New York City Law No. 57

WARRANTY

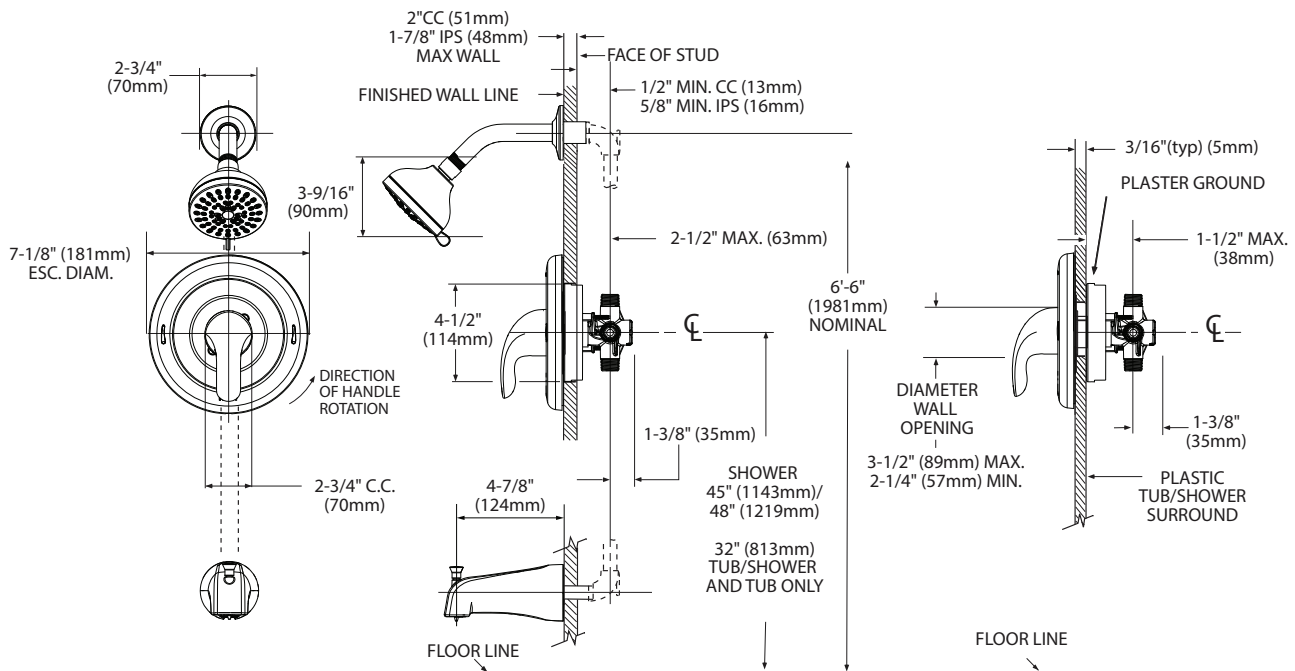
- Lifetime limited warranty against leaks, drips and finish defects to the original consumer purchaser
- 5 year warranty if used in commercial installations

Specifications



**Adler™
POSI-TEMP®
Single-Handle
Tub/Shower Valve**

Models: 82603 Series (tub/shower)
82604 Series (shower only)
82613SRN (tub/shower kit with valve cap)



CRITICAL DIMENSIONS

(DO NOT SCALE)