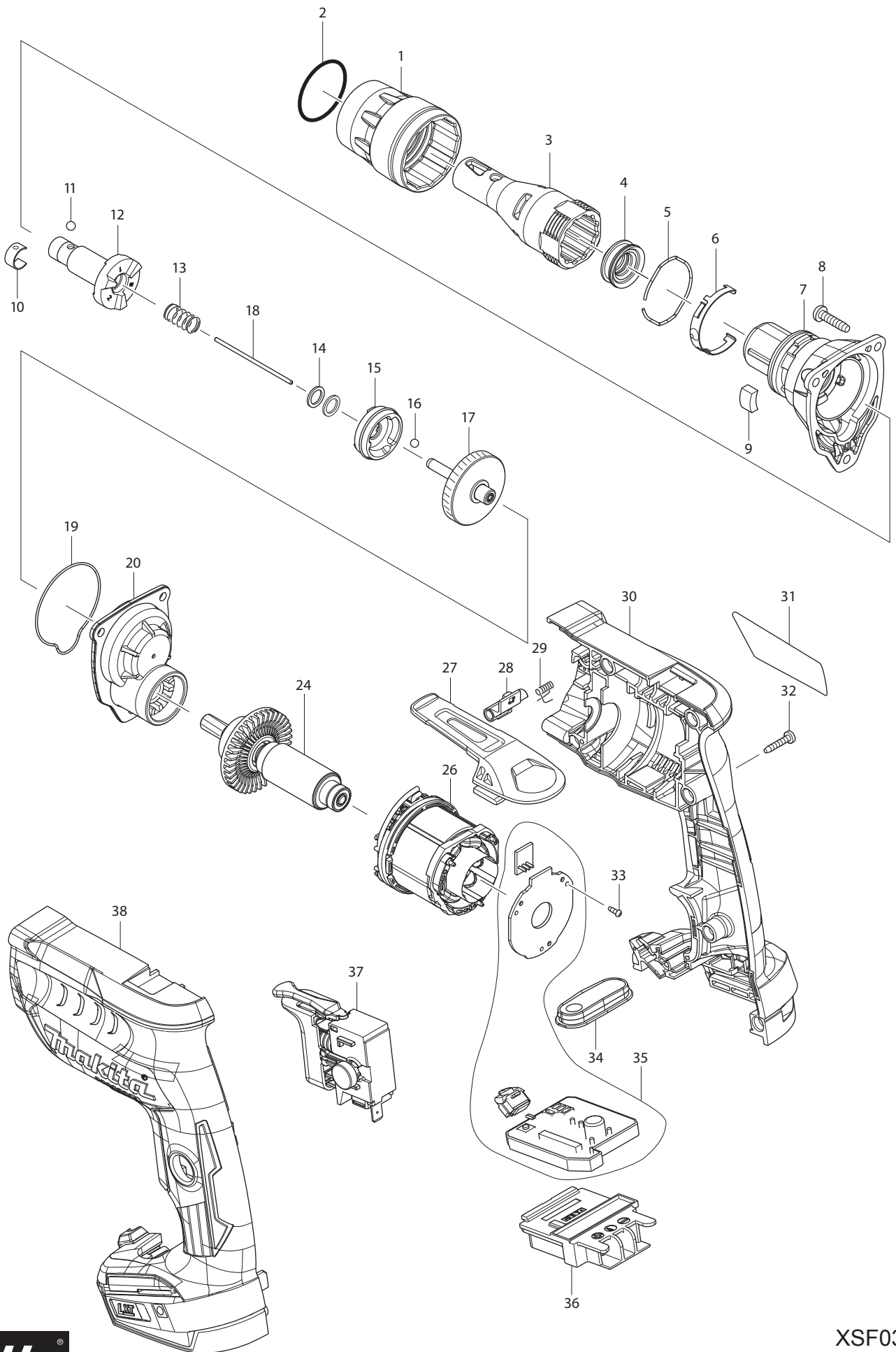


Model XOC01Z Parts List

A = Standard Equipment

O= Circuit Diagram

Item#	Part#	Description	Q'ty	Unit
001	346796-2	SHOE PLATE	1	
002	266898-7	THUMB SCREW M4X8	1	
003	763675-3	COLLET NUT	1	PC.
004	763677-9	COLLET CONE 3.18	1	PC.
005	142656-4	SPINDLE COMPLETE	1	PC.
006	455181-9	SHAFT LOCK	1	
007	234332-5	COMPRESSION SPRING 7	1	
008	266374-1	TAPPING SCREW 4X25	4	PC.
009	346795-4	SHOE SUPPORT	1	
010	912107-9	COUNTERSUNK HEAD SCREW M4X8	1	PC.
011	142655-6	BEARING BOX COMPLETE	1	PC.
012	211236-8	BALL BEARING 6002DDW	1	PC.
013	962151-6	RETAINING RING R-32	1	PC.
014	961055-9	RETAINING RING S-15	1	PC.
015	804E91-1	CAUTION LABEL	1	
016	619344-3	ARMATURE	1	PC.
018	455182-7	BAFFLE PLATE	1	
019	638627-2	YOKE UNIT	1	PC.
020	632C14-5	ENDBELL COMPLETE	1	
021	815U76-8	XOC01 NAME PLATE	1	
022	266326-2	TAPPING SCREW 4X18	5	PC.
023	419566-3	SWITCH KNOB	1	PC.
024	187871-3	HOUSING SET	1	
	D10	INC. 29		
025	419519-2	SWITCH LEVER	1	PC.
026	650579-7	SWITCH 1246.3223	1	PC.
027	620303-2	CONTROLLER	1	
	C10	654037-5 INSULATED TERM. FT1.25-M3	1	PC.
	C20	654077-3 INSULATED TERMINAL FK2-M3D-5.5	1	PC.
	C30	654208-4 RECEPTACLE	2	PC.
	C40	654281-4 RECEPTACLE	1	PC.
	C50	654304-8 RECEPTACLE	2	PC.
028	643860-3	TERMINAL	1	PC.
029	187871-3	HOUSING SET	1	
	D10	INC. 24		
030	CB430	CARBON BRUSH CB-430 (195018-5)	1	SET
031	643929-3	BRUSH HOLDER CAP	2	PC.
032	455183-5	HOLDER CAP COVER	2	
A01	193446-8	DRYWALL GUIDE BIT 3.18 SET	2	SET
A02	781008-0	WRENCH 17	1	PC.
D01	654510-5	INSULATED CONNECTOR 5.5-SD	2	PC.
D02	652045-0	+PAN HEAD SCREW M3.5X5	2	PC.



Model XSF03Z Parts List

A = Standard Equipment

O = Circuit Diagram

Item#	Part#	Description	Q'ty	Unit
001	455591-0	LOCK RING	1	
002	424235-3	SEAL RING 30	1	PC.
003	158876-0	LOCATOR L COMPLETE	1	PC.
004	424665-8	DUST SEAL SLEEVE	1	
005	234348-0	RING SPRING 30	1	
006	232245-4	LEAF SPRING	1	PC.
007	142902-5	GEAR HOUSING COMPLETE	1	PC.
	C10 213796-6	OIL SEAL 11	1	PC.
008	265995-6	TAPPING SCREW 4X18	3	PC.
009	423413-2	RUBBER PLATE	1	PC.
010	232050-9	LEAF SPRING	1	PC.
011	216001-0	STEEL BALL 3.5	1	PC.
012	142903-3	SPINDLE 125S COMPLETE	1	PC.
013	234121-8	COMPRESSEION SPRING 8	1	PC.
014	267202-3	FLAT WASHER 8	2	PC.
015	223181-5	CLUTCH CAM 125S	1	PC.
016	216008-6	STEEL BALL 4	3	PC.
017	142904-1	GEAR COMPLETE	1	
	C10 424663-2	SEAL	1	
018	268325-0	ROD 2	1	
019	424664-0	SEAL RING	1	
020	142909-1	GEAR HOUSING COVER COMPLET	1	PC.
024	519355-7	ROTOR ASS'Y	1	PC.
026	629135-4	STATOR	1	PC.
027	162272-6	HOOK	1	PC.
028	142908-3	LEVER COMPLETE	1	PC.
029	233619-2	TORSION SPRING 3	1	
030	187968-8	HOUSING SET	1	SET
	C10 263005-3	RUBBER PIN 6	2	PC.
	D10	INC. 38		
031	850H35-7	XSF03 NAME PLATE	1	
032	266130-9	TAPPING SCREW BIND PT 3X16	7	PC.
033	266490-9	TAPPING SCREW PT 2X6	3	PC.
034	142905-9	SWITCH PLATE COMPLETE	1	
035	620349-8	CONTROLLER	1	
036	643860-3	TERMINAL	1	PC.
037	650733-3	SWITCH C3JW-4B-2L	1	PC.
038	187968-8	HOUSING SET	1	SET
	C10 263005-3	RUBBER PIN 6	2	PC.
	D10	INC. 30		
039	850H40-4	XSF03 SERIAL NO. LABEL	1	
A01	266622-8	+ TRUSS HEAD SCREW M4X12	1	PC.
A02	346449-3	HOOK	1	PC.
A03	784211-B	+BIT 2-25	2	PC.
A04	784812-6	MAGNETIC CONNECT BIT 6.35-76	1	
D01	654562-6	INSULATED CONNECTOR 35115	3	PC.