

BLACK+DECKER

TM

INSTRUCTION MANUAL MANUAL DE INSTRUCCIONES

MICROWAVE OVEN HORNO MICROONDA

Customer Care Line:

USA 1-800-842-1289

Accessories/Parts (USA)

1-800-842-1289

Línea de Servicio:

EE.UU 1-800-842-1289

Accesorios/Partes (EE.UU)

1-800-842-1289



MODEL/MODELO

○ EM925ACP-P2 900W

PRECAUTIONS TO AVOID POSSIBLE EXPOSURE TO EXCESSIVE MICROWAVE ENERGY

- (a) Do not attempt to operate this oven with the door open since open-door operation can result in harmful exposure to microwave energy. It is important not to defeat or tamper with the safety interlocks.
- (b) Do not place any object between the oven front face and the door or allows soil or cleaner residue to accumulate on sealing surfaces.
- (c) Do not operate the oven if it is damaged. It is particularly important that the oven door close properly and that there is no damage to the:
 - (1) DOOR (bent)
 - (2) HINGES AND LATCHES (broken or loosened)
 - (3) DOOR SEALS AND SEALING SURFACES
- (d) The oven should not be adjusted or repaired by anyone except properly qualified service personnel.

Specifications

Model:	EM925ACP-P2
Rated Voltage:	120V~ 60Hz
Rated Input Power(Microwave):	1350W
Rated Output Power(Microwave):	900W
Oven Capacity:	0.9 Cu.ft
Turntable Diameter:	10.6 inch
External Dimensions:	19.1X15.9X11.5inch (485X405X292.5mm)
Net Weight:	Approx.30.2 Lbs (13.7 kg)

IMPORTANT SAFETY INSTRUCTIONS



WARNING

To reduce the risk of burns, electric shock, fire, injury to persons or exposure to excessive microwave oven energy when using your appliance, follow basic safety precautions, including the following:

1. Read all instructions before using the appliance.
2. Read and follow the specific: "PRECAUTIONS TO AVOID POSSIBLE EXPOSURE TO EXCESSIVE MICROWAVE ENERGY" found on page 2.
3. As with most cooking appliances, close supervision is necessary to reduce the risk of a fire in the oven cavity.
4. To reduce the risk of fire in the oven cavity:
 - i). Do not over cook food. Carefully attend the appliance when paper, plastic, or other combustible materials are placed inside the oven to facilitate cooking.
 - ii). Remove wire twist-ties and metal handles from paper or plastic containers/bags before placing them in the oven.
 - iii). If materials inside the oven ignite, keep the oven door closed. Turn the oven off, and unplug the appliance. Disconnect the power cord, shut off power at the fuse or circuit breaker panel.
 - iv). Do not use the oven cavity for storage purposes. Do not leave paper products, cooking utensils, or food in the cavity when not in use.
5. This oven must be grounded. Connect only to properly grounded outlet. See "GROUNDING INSTRUCTIONS" found on page 4.
6. Install or locate this oven only in accordance with the installation instructions provided in this manual.
7. Some products, such as whole eggs, sealed containers, or closed glass jars may explode and should not be heated in the oven.
8. Use this appliance only for its intended uses as described in this manual. Do not use corrosive chemicals or vapors in this appliance. This oven is specifically designed to heat cook or dry food. It is not designed for industrial or laboratory use.
9. This appliance is not intended for use by children, however, it may be used by children with close adult supervision.
10. Do not operate this oven if it has a damaged cord or plug, if it is not working properly or if it has been damaged or dropped.
11. This appliance should be serviced only by qualified service technicians. Contact the nearest authorized service facility for examination, repair or adjustment.
12. Do not cover or block any openings on the oven.
13. Do not store or use this appliance outdoors.
14. Do not use this oven near water, for example, near a kitchen sink, in a wet basement, near a swimming pool, or similar locations.
15. Do not immerse cord or plug in water.
16. Keep cord away from heated surfaces.
17. Do not let cord hang over edge of table or counter.
18. When cleaning interior or exterior surfaces, use only mild, nonabrasive, soaps or detergents applied with a sponge or soft cloth.

19. Liquids, such as water, coffee, or tea may overheat beyond the boiling point without appearing to be boiling. Visible bubbling or boiling when the container is removed from the microwave oven is not always present. This could result in very hot liquids suddenly boiling over when the container is disturbed or a spoon, or other utensil, is inserted into the liquid.
- i) Do not overheat the liquid.
 - ii) Stir the liquid both before and halfway through heating it.
 - iii) Do not use straight-sided containers with narrow necks.
 - iv) After heating, allow the container to stand in the microwave oven for a short time before removing the container.
 - v) Use extreme care when inserting a spoon or other utensil into the container.

SAVE THESE INSTRUCTIONS

GROUNDING INSTRUCTIONS

DANGER

Electric Shock Hazard

Touching some of the internal components can cause serious personal injury or death. Do not disassemble this appliance.

WARNING

Electric Shock Hazard

Improper use of the grounding can result in electric shock. Do not plug into an outlet until appliance is properly installed and grounded.

This appliance must be grounded. In the event of an electrical short circuit, grounding reduces the risk of electric shock by providing an escape wire for the electric current. This appliance is equipped with a cord having grounding wire with a grounding plug. The plug must be plugged into an outlet that is properly installed and grounded.

Consult a qualified electrician or serviceman if the grounding instructions are not completely understood or if doubt exists as to whether the appliance is properly grounded. If it is necessary to use an extension cord, use only a 3-wire extension cord that has a 3-pronged grounding plug, and a 3-slot receptacle that will accept the plug on the appliance. The marked rating of the extension cord shall be equal to or greater than the electrical rating of the appliance.

1. A short power-supply cord is provided to reduce the risks resulting from becoming entangled in or tripping over a longer cord.
2. Longer cord sets or extension cords are available and may be used if care is exercised in their use.
3. If a long cord set or extension cord is used:
 - 1) The marked electrical rating of the cord set or extension cord should be at least as great as the electrical rating of the appliance.
 - 2) The extension cord must be a grounding-type 3-wire cord.
 - 3) The longer cord should be arranged so that it will not drape over the countertop or tabletop where it can be pulled on by children or tripped over unintentionally.

Radio Interference

1. Operation of the microwave oven may cause interference to your radio, TV or similar equipment.
2. When there is interference, it may be reduced or eliminated by taking the following measures:
 - 1) Clean door and sealing surface of the oven
 - 2) Reorient the receiving antenna of radio or television.
 - 3) Relocate the microwave oven with respect to the receiver.
 - 4) Move the microwave oven away from the receiver.
 - 5) Plug the microwave oven into a different outlet so that microwave oven and receiver are on different branch circuits.

CONTAINERS

CAUTION

Personal Injury Hazard

Tightly-closed containers could explode. Closed containers should be opened and plastic pouches should be pierced before cooking.

See the instructions on "Materials you can use in microwave oven or to be avoided in microwave oven on page 6."

There may be certain non-metallic containers that are not safe to use for microwaving. If in doubt, you can test the container in question following the procedure below.

container Test:

1. Fill a microwave-safe container with 1 cup of cold water (250ml) along with the container in question.
2. Cook on maximum power for 1 minute.
3. Carefully feel the container. If the empty container is warm, do not use it for microwave cooking.
4. Do not exceed 1 minute cooking time.

Materials you can use in microwave oven

Containers/ Materials	Remarks
Browning dish	Follow manufacturer's instructions. The bottom of browning dish must be at least 3/16 inch (5mm) above the turntable. Incorrect usage may cause the turntable to break.
Dinnerware	Microwave-safe only. Follow manufacturer's instructions. Do not use cracked or chipped dishes.
Glass jars	Always remove lid. Use only to heat food until just warm. Most glass jars are not heat resistant and may break.
Glassware	Heat-resistant oven glassware only. Make sure there is no metallic trim. Do not use cracked or chipped dishes.
Oven cooking bags	Follow manufacturer's instructions. Do not close with metal tie. Make slits to allow steam to escape.
Paper plates and cups	Use for short-term cooking/warming only. Do not leave oven unattended while cooking.
Paper towels	Use to cover food for reheating and absorbing fat. Use with supervision for a short-term cooking only.
Parchment paper	Use as a cover to prevent splattering or a wrap for steaming.
Plastic	Microwave-safe only. Follow the manufacturer's instructions. Should be labeled "Microwave Safe". Some plastic containers soften, as the food inside gets hot. "Boiling bags" and tightly closed plastic bags should be slit, pierced or vented as directed by package.
Plastic wrap	Microwave-safe only. Use to cover food during cooking to retain moisture. Do not allow plastic wrap to touch food.
Thermometers	Microwave-safe only (meat and candy thermometers).
Wax paper	Use as a cover to prevent splattering and retain moisture.

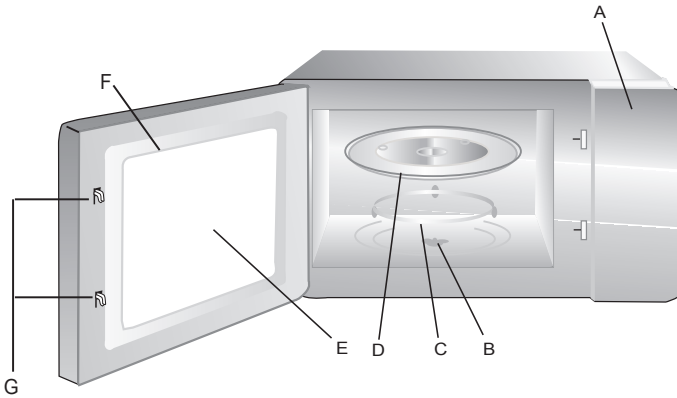
Materials to be avoided in microwave oven

Containers/ Materials	Remarks
Aluminum tray	May cause arcing. Transfer food into microwave-safe dish.
Food carton with metal handle	May cause arcing. Transfer food into microwave-safe dish.
Metal or metal-trimmed containers	Metal shields the food from microwave energy. Metal trim may cause arcing.
Metal twist ties	May cause arcing and could cause a fire in the oven.
Paper bags	May cause a fire in the oven.
Plastic foam	Plastic foam may melt or contaminate the liquid inside when exposed to high temperature.
Wood	Wood will dry out when used in the microwave oven and may split or crack.

SETTING UP YOUR OVEN

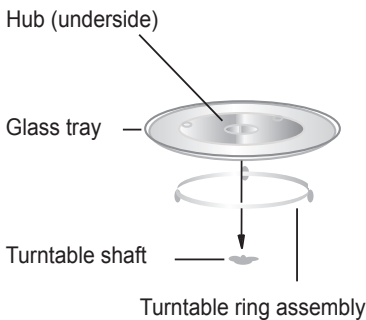
Names of Oven Parts and Accessories

Remove the oven and all materials from the carton and oven cavity.



- A) Control panel
- B) Turntable shaft
- C) Turntable ring assembly
- D) Glass tray
- E) Observation window
- F) Door assembly
- G) Safety interlock system

Turntable Installation



- a. Never place the glass tray upside down. The glass tray should never be restricted.
- b. Both glass tray and turntable ring assembly must always be used during cooking.
- c. All food and containers of food are always placed on the glass tray for cooking.
- d. If glass tray or turntable ring assembly cracks or breaks, contact your nearest authorized service center.

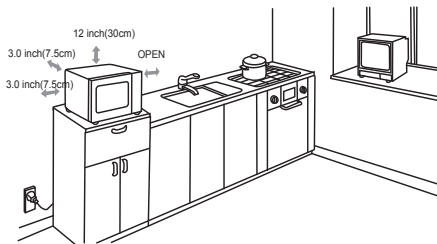
Countertop Installation

Remove all packing material and accessories. Examine the oven for any damage such as dents or broken door. Do not install if oven is damaged.

Cabinet: Remove any protective film found on the microwave oven cabinet surface. Do not remove the light brown Mica cover that is attached to the oven cavity to protect the magnetron.

Installation

1. Select a level surface that provides enough open space for the intake and/or outlet vents.

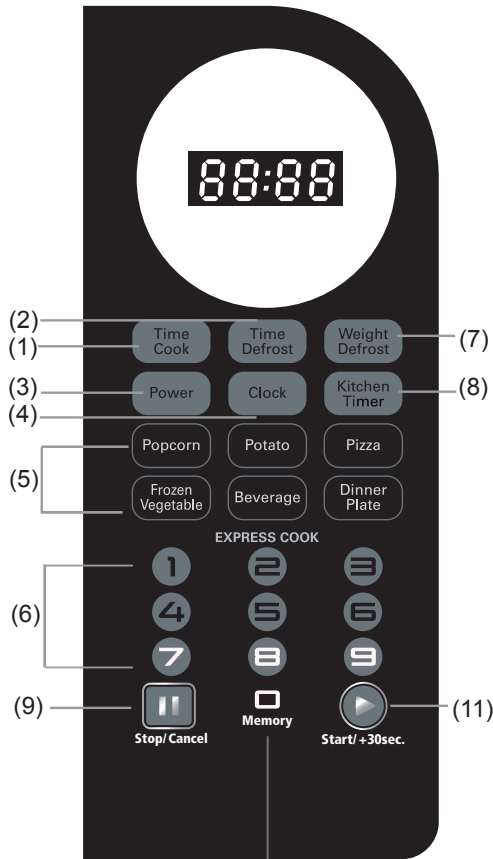


A minimum clearance of 3.0 inches (7.5cm) is required between the oven and any adjacent walls. One side must be open.

- (1) Leave a minimum clearance of 12 inches (30cm) above the oven.
 - (2) Do not remove the legs from the bottom of the oven.
 - (3) Blocking the intake and/or outlet openings can damage the oven.
 - (4) Place the oven as far away from radios and TV as possible.
Operation of microwave oven may cause interference to your radio or TV reception.
2. Plug your oven into a standard household outlet. Be sure the voltage and the frequency is the same as the voltage and the frequency on the rating label.
WARNING: Do not install oven over a range cooktop or other heat-producing appliance. If installed near or over a heat source, the oven could be damaged and the warranty would be void.

OPERATION

Control Panel and Features



- (1) Time Cook
- (2) Time Defrost
- (3) Power
- (4) Clock
- (5) Auto menu: Popcorn, Potato, Pizza, Frozen vegetable, Beverage, Dinner plate
- (6) Number Buttons:0-9
- (7) Weight Defrost
- (8) Kitchen Timer function
- (9) Stop/Cancel: clears all previous setting pressed before cooking starts. During cooking: press once to stop oven; twice to stop and clear all entries.
- (10) Memory function
- (11) Start/+30Sec.

OPERATION

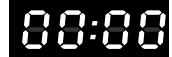
1. Power Level

11 power levels are available.

Level	10	9	8	7	6	5	4	3	2	1	0
Power	100%	90%	80%	70%	60%	50%	40%	30%	20%	10%	0%
Display	PL10	PL9	PL8	PL7	PL6	PL5	PL4	PL3	PL2	PL1	PL0

2. Clock Setting

(1) Press " CLOCK ", "00:00" will display.



(2) Press the number keys and enter the current time. For example, time is 10:12 now, please press " 1, 0, 1, 2 " in turn.



(3) Press " CLOCK " to finish clock setting. ":" will flash and the clock will be lighted.

(4) If the numbers input are not within the range of 1:00--12:59, the setting will be invalid until valid numbers are input.

Note: (1) In the process of clock setting, if the " STOP/CANCEL " button is pressed or if there is no operation within 1 minute, the oven will go back to the former setting automatically.

(2) If the clock need to be reset, please repeat step 1 to step 3.

3. Kitchen Timer



(1) Press "KITCHEN TIMER ", LED will display 00:00, the first hour figure flash.

(2) Press the number keys and enter the timer time. (The maximum cooking time is 99 minutes and 99 seconds.)

(3) Press " START/+30SEC. " to confirm setting.

(4) When the timer time arrives, the buzzer will ring 5 times.

If the clock is set (12-hour system), LED will display the current time.

Note: 1) The kitchen time is differ from 12-hour system. Kitchen Timer is a timer.

2) During kitchen timer, any program cannot be set.

4. Microwave cook

(1) Press "TIME COOK" once, LED will display "00:00".



(2) Press number keys to input the cooking time; the maximum cooking time is 99 minutes and 99 seconds.

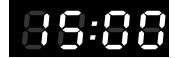
(3) Press " POWER " once, LED will display "PL10". The default power is 100% power.

Now you can press number keys to adjust the power level.

(4) Press " START/+30SEC." to start cooking.

Example: to cook the food with 50% microwave power for 15 minutes.

- a. Press "TIME COOK" once."00:00" displays.
- b.Press "1", "5", "0", "0" in order.
- c.Press "POWER"once, then press "5" to select 50% microwave power.
- d.Press "START/+30SEC." to start cooking.



Note:1) In the process of setting, if the " STOP/CANCEL " button is pressed, or if there is no operation within 1 minute, the oven will go back to the former setting automatically.

2) If "PL0" selected, the oven will work with fan for no power.

3) During microwave setting, "POWER" can be pressed to change the power you need.

After pressing "POWER", the current power lights, now you can press number button to change the power. The oven will work with the selected power for the rest time.

5. Speedy Cooking

(1) In waiting state, instant cooking at 100% power level can be started by select a cooking time from 1 to 6 minutes by pressing number pads1 to 6. Press " START/+30SEC." to increase the cooking time. The maximum cooking time is 99 minutes and 99 seconds.

(2) In waiting state, instant cooking at 100% power level with 30 seconds' cooking time can be started by pressing " START/+30SEC ". Each press on the same button will increase cooking time by 30 seconds. The maximum cooking time is 99 minutes and 99 seconds.

Note: during microwave cooking and time defrost,time can be added by pressing "START/30SEC." button.

6. Weight Defrost Function

(1) Press " WEIGHT DEFROST ", LED will display "dEF1".

(2) Press numerical buttons to input weight to be defrosted.
Input the weight ranged between 4~100 Oz.

(3) If the weight input is not within 4~100 Oz, the input will be invalid.

(4) Press " START/+30SEC. " to start defrosting and the cooking time remained will be displayed.



7. Time Defrost Function

(1) Press " TIME DEFROST ", LED will display "dEF2".

(2) Press number pads to input defrosting time. The effective time range is 00:01~99:99.

(3) The default microwave power is power level 3. If you want to change the power level, press " POWER " once, and the LED will display "PL 3", then press the number pad of the power level you wanted.

(4) Press " START/+30SEC. " to start defrosting. The remained cooking time will be displayed.



8. POPCORN

a) Press "POPCORN" repeatedly until the number you wish appears in the display, "1.75", "3.0", "3.5" Oz will display in order.

For example, press "POPCORN" once, "1.75" appears.



b) Press "START/+30 SEC." to cook, buzzer sounds once. When cooking finishes, buzzer sounds five times and then turn back to waiting state.

9. POTATO

a) Press "POTATO" repeatedly until the number you wish appears in the display, "1", "2", "3" will display in order.

"1" SET : 1 potato (approximate 8.0 Oz)

"2" SETS: 2 potatoes (approximate 16.0 Oz)

"3" SETS: 3 potatoes (approximate 24.0 Oz)

For example, press "POTATO" once, "1" appears.

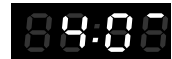


b) Press "START/+30 SEC." to cook, buzzer sounds once. When cooking finishes, buzzer sounds five times and then turn back to waiting state.

10. FROZEN VEGETABLE

a) Press "FROZEN VEGETABLE" repeatedly until the number you wish appears in the display, "4.0", "8.0", "16.0" oz will display in order.

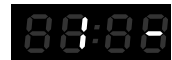
For example, press "FROZEN VEGETABLE" once, "4.0" appears.



b) Press "START/+30 SEC." to cook, buzzer sounds once. When cooking finishes, buzzer sounds five times and then turn back to waiting state.

11. BEVERAGE

a) Press "BEVERAGE" repeatedly until the number you wish appears in the display, "1", "2", "3" cup will display in order. One cup is about 120ml. For example, press "BEVERAGE" once, "1" appears.

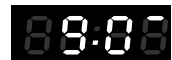


b) Press "START/+30 SEC." to cook, buzzer sounds once. When cooking finishes, buzzer sounds five times and then turn back to waiting state.

12. DINNER PLATE

a) Press "DINNER PLATE" repeatedly until the number you wish appears in the display, "9.0", "12.0", "18.0" oz will display in order.

For example, press "DINNER PLATE" once, "9.0" appears.



b) Press "START/+30 SEC." to cook, buzzer sounds once. When cooking finishes, buzzer sounds five times and then turn back to waiting state.

13. PIZZA

a) Press " PIZZA " repeatedly until the number you wish appears in the display, "4.0", "8.0", "14.0" oz will display in order.

For example, press "PIZZA" once, "4.0" appears.



b) Press " START/+30 SEC. " to cook, buzzer sounds once. When cooking finishes, buzzer sounds five times and then turn back to waiting state.

14. MEMORY FUNCTION

(1) Press "0/MEMORY" to choose memory 1-3 procedure. The LED will display 1,2,3.

(2) If the procedure has been set, press " START/ +30 SEC." to use it. If not, continue to set the procedure. Only one or two stages can be set.

(3) After finishing the setting, press "START/ +30 SEC." once to save the procedure.

If press " START/ +30 SEC." again, it will start cooking.

Example: to set the following procedure as the second memory, that is memory 2.

to cook the food with 80% microwave power for 3 minutes and 20 seconds.

The steps are as follow:

a. In waiting state, press "0/MEMORY" twice, stop pressing until the screen displays "2".

b. Press "TIME COOK" once, then press "3", "2", "0" in order.

c. Press "POWER" once, "PL10" display, then press "8" and "PL8" displays.

d. Press "START/ +30 SEC." to save the setting. Buzzer sounds once and the LED will display "2". If you press "START/+30SEC." again, the procedure will be saved as the memory 2 and operated.

e. If the electricity is not cut off, the procedure will be saved all the time. If it is, the procedure need to reset.

f. If you want to run the saved procedure, in waiting state, press "0/MEMORY" twice, screen displays "2", then press "START/+30SEC." to run.

15. MULTI-STAGE COOKING

At most 2 stages can be set for cooking. In multi-stage cooking, if one stage is defrosting, then defrosting shall be placed at the first stage automatically.

Note: Auto cooking cannot work in the multi-stage cooking.

Example: if you want to cook with 80% microwave power for 5 minutes + 60% microwave power for 10 minutes. The cooking steps are as following:

(1) Press "TIME COOK" once, then press "5", "0", "0" to set the cooking time;

(2) Press "POWER" once, then press "8" to select 80% microwave power.

(3) Press "TIME COOK" once, then press "1", "0", "0", "0" to set the cooking time;


(4) Press "POWER" once, then press "6" to select 60% microwave power.

(5) Press "START/ +30 SEC." to start cooking.

16. INQUIRING FUNCTION

- (1) In cooking state, press " CLOCK ", the LED will display clock for three seconds.
- (2) In the microwave cooking state, press " POWER " to inquire microwave power level, and the current microwave power will be displayed. After three seconds, the oven will turn back to the previous state. In multi-stage state, the inquiring way can be done by the same way as above.

17. LOCK FUNCTION FOR CHILDREN

Lock: In waiting state, press " STOP/CANCEL " for 3 seconds, there will be a long "beep" denoting the entering into the children-lock state; meanwhile, LED will display "  ".

Lock quitting: In locked state, press " STOP/CANCEL " for 3 seconds, there will be a long "beep" denoting that lock is released.

18. COOKING END REMINDING FUNCTION

When the cooking is over, the buzzer will sound 5 "beep" to alert user the cooking is finished.

19. OTHER SPECIFICATIONS

- (1) In standby state , if the set clock digital tube displays current time, the icon " : " would flash; otherwise, it shows " 0:00 ".
- (2) In setting function state, LED displays corresponding setting.
- (3) In working or pause state, LED displays surplus cooking time.

Maintenance

Troubleshooting

Check your problem by referencing the chart below and trying the solutions for each problem. If the microwave oven still does not work properly, contact the nearest authorized service center.

TROUBLE	POSSIBLE CAUSE	POSSIBLE REMEDY
Oven will not start	<ul style="list-style-type: none">a. Electrical cord for oven is not plugged in.b. Door is open.c. Wrong operation is set.	<ul style="list-style-type: none">a. Plug into the outlet.b. Close the door and try again.c. Check instructions.
Arcing or sparking	<ul style="list-style-type: none">a. Materials to be avoided in microwave oven were used. See page 6.b. The oven is operated when empty.c. Spilled food remains in the cavity.	<ul style="list-style-type: none">a. Use microwave-safe cookware only.b. Do not operate with oven empty.c. Clean cavity with wet towel.
Unevenly cooked foods	<ul style="list-style-type: none">a. Materials to be avoided in microwave oven were used. See page 6.b. Food is not defrosted completely.c. Cooking time, power level is not suitable.d. Food is not turned or stirred.	<ul style="list-style-type: none">a. Use microwave-safe cookware only.b. Completely defrost food.c. Use correct cooking time, power level.d. Turn or stir food.
Overcooked foods	Cooking time, power level is not suitable.	Use correct cooking time, power level.
Undercooked foods	<ul style="list-style-type: none">a. Materials to be avoided in microwave oven were used. See page 6.b. Food is not defrosted completely.c. Oven ventilation ports are restricted.d. Cooking time, power level is not suitable.	<ul style="list-style-type: none">a. Use microwave-safe cookware only.b. Completely defrost food.c. Check to see that oven ventilation ports are not restricted.d. Use correct cooking time, power level.
Improper defrosting	<ul style="list-style-type: none">a. Materials to be avoided in microwave oven were used. See page 6.b. Cooking time, power level is not suitable.c. Food is not turned or stirred.	<ul style="list-style-type: none">a. Use microwave-safe cookware only.b. Use correct cooking time, power level.c. Turn or stir food.

ONE YEAR LIMITED WARRANTY

This product carries a warranty stating that it will be free from defects in material and workmanship for a period of one year from the date of purchase. This warranty is valid for the original retail purchaser from the date of initial retail purchase and is not transferable. Keep your original sales receipt.

IMPORTANT:

1. This warranty does not cover damages resulting from accident, misuse or abuse, lack of reasonable care, the affixing of any attachments not provided with the product, loss of parts, or subjecting the appliance to any but the specified voltage. (Read directions carefully.)
2. This warranty is void if this product is ever used for other than private household purposes.
3. This warranty is void if this product is ever used outside of United States.

If service is required during the warranty period, properly pack your unit. We recommend using the original carton and packing materials.

If additional assistance is needed, please contact customer assistance at:

800-842-1289
Midea America Corp
5 Sylvan Way,
Parsippany, NJ 07054

Midea America Corp. expressly disclaims all responsibility for consequential damages or incidental losses caused by use of the appliance. Some states do not allow this exclusion or limitation of incidental or consequential losses so the foregoing disclaimer may not apply to you. This warranty gives you specific legal rights, and you may also have other rights which may vary from state to state.

The serial number can be found on the back cabinet. We suggest that you record the serial number of your unit in the space below for future reference

Model Number: _____

Serial Number: _____

SAVE THIS FOR YOUR RECORDS

Made in China

BLACK+DECKER is a registered trademarks of The Black & Decker Corporation, or one of its affiliates, and used under license.

PRECAUCIONES PARA EVITAR POSIBLE EXPOSICIÓN A EXCESIVA ENERGÍA DE MICROONDAS

- (a) No intente operar este horno con la puerta abierta ya que esto puede causar una exposición dañina a energía de microondas. Es importante no quebrar u obstruir los cierres de seguridad.
- (b) No ubicar ningún objeto entre la pared frontal del horno y la puerta ni permitir que residuos de suciedad o limpiadores se acumulen en los bordes entre la superficie frontal de horno y la puerta.
- (c) **No operar el horno si está dañado. Es particularmente importante que la puerta del horno se cierre correctamente y que no haya daños en:**
 - 1. **PUERTA (diente)**
 - 2. **BISAGRAS Y PESTILLOS (quebrado o sueltos)**
 - 3. **SELLOS DE LAS PUERTAS Y SUPERFICIE SELLANTE**
- (d) **El horno no deberá ser ajustado ni reparado por nadie excepto por personal de servicio calificado apropiadamente.**

Especificaciones

Modelo:	EM925ACP-P2
Alimentación:	120 V~ 60 Hz
Potencia de entrada de microondas:	1350 W
Potencia de salida de Microondas :	900 W
Capacidad de Horno:	0.9 Pies cúbicos
Diámetro de Plato Giratoria:	∅ 10.6 pulg. (270mm)
Dimensiones Externas (An. x Prof. x Al.):	19.1×15.9×11.5 pulg (485×405×292.5mm)
Peso Neto:	Aproximadamente 30.2 lbs (13.7 kg)

INSTRUCCIONES DE SEGURIDAD IMPORTANTES



ADVERTENCIA

Con el fin de reducir el riesgo de que se produzcan quemaduras, una descarga eléctrica, un incendio, lesiones o exposiciones a la energía microondas excesiva al momento de usar este electrodoméstico, siga las siguientes precauciones de seguridad básicas:

1. Lea todas las instrucciones antes de utilizar el electrodoméstico.
2. Lea y preste atención a las "Precauciones para evitar una posible exposición a la energía microondas excesiva" tal como se detalla en la página 2.
3. Como con otros electrodomésticos de cocina, debe prestarse mucha atención para reducir el riesgo de que se produzca fuego dentro de la cavidad del horno.
4. Con el fin de reducir el riesgo de que se produzca fuego dentro de la cavidad del horno:
 - i) No cocine los alimentos de manera excesiva. Vigile el horno cuando, para facilitar la cocción, se preparea limentos utilizando materiales de papel o plástico u otros materiales combustibles.
 - ii) Retire los cintillos de alambre o asas de metal de las bolsas o envases de papel o plástico antes de colocarlos dentro del horno.
 - iii) Si cualquier material dentro del horno se prendiera fuego, mantenga la puerta cerrada. Apague y desenchufe el electrodoméstico y desconecte la energía en la caja o panel de fusibles o de interruptores principal.
 - iv) No use la cavidad del horno para guardar objetos. No deje artículos de papel, utensilios de cocina o alimentos dentro del horno cuando no lo esté usando.
5. Este electrodoméstico debe conectarse a tierra. Enchúfelo solamente a un tomacorriente con la debida salida a tierra. Véase las "Instrucciones de conexión a tierra" en la página 4.
6. Instale y ubique este horno solamente de acuerdo con las instrucciones de instalación de este manual.
7. Algunos productos, como huevos enteros y envases cerrados herméticamente, por ejemplo frascos de vidrio, podrían explotar por lo que no deben calentarse en este horno.
8. Utilice este electrodoméstico sólo para los fines que ha sido diseñado tal como se describe en este manual. No utilice químicos corrosivos u otras sustancias con este electrodoméstico. Este horno ha sido diseñado específicamente para calentar, cocinar o secar alimentos. No ha sido diseñado para usos industriales o de laboratorio.
9. Este aparato no está diseñado para su uso por niños, sin embargo, puede ser utilizado por niños con supervisión cercana de un adulto.
10. No utilice el electrodoméstico si el cordón o el enchufe se encuentran dañados, si no funciona adecuadamente o si ha sufrido algún tipo de daño o caída.
11. Todo servicio técnico debe ser llevado a cabo por parte del personal técnico calificado.
12. No cubra ni obstruya las aberturas del horno.
13. No guarde ni utilice este electrodoméstico al aire libre.
14. No utilice este horno cerca del agua, por ejemplo cerca de un lavadero de cocina, en un sótano muy húmedo, cerca de una piscina u otros lugares similares.
15. No sumerja el cordón ni el enchufe en agua.
16. Mantenga el cordón lejos de cualquier superficie caliente.
17. No permita que el cordón cuelgue del borde de la mesa o repostería de cocina.
18. Al momento de efectuar la limpieza de las superficies de la puerta y del horno que entren en contacto con el cierre de la puerta, utilice un tipo de jabón o detergente no abrasivo aplicándolo con una esponja o un paño suave.

19. Los líquidos, tales como el agua, café o té pueden sobrecalentarse más allá del punto de ebullición sin parecer haber hervido. El burbujeo o hervido visible de un recipiente al momento de sacarlo del horno de microondas no siempre está presente. Esto podría ocasionar que un líquido caliente repentinamente rompa el hervor al momento de accionar algún movimiento o meter una cuchara u otro utensilio dentro del líquido.

- i) No sobrecaliente los líquidos.
- ii) Remueva el líquido antes y a la mitad del proceso de calentamiento.
- iii) No utilice envases o recipientes de lados verticales con cuellos angostos.
- iv) Después de calentar, deje que el envase o recipiente repose dentro del horno a microondas durante un periodo corto antes de retirarlo.
- v) Tenga sumo cuidado al momento de insertar una cuchara o cualquier otro utensilio dentro del envase o recipiente.

GUARDE ESTAS INSTRUCCIONES

INSTRUCCIONES DE CONEXIÓN A TIERRA

KONTEYNER

Peligro de descarga eléctrica

Se podría producir lesiones serias o hasta la muerte si se toca algunos de los componentes internos del horno. No desarme el electrodoméstico.

ADVERTENCIA

Peligro de descarga eléctrica

El uso inadecuado del sistema a tierra podría ocasionar una descarga eléctrica. No enchufe el electrodoméstico hasta que éste haya quedado correctamente instalado y conectado a tierra.

Este electrodoméstico debe quedar conectado a tierra. En el caso de un cortocircuito, la conexión a tierra reduce el riesgo de una descarga eléctrica ofreciendo un cable de escape para la corriente eléctrica. Este electrodoméstico cuenta con un cordón con cable de tierra y con un enchufe a tierra. Este tipo de enchufe debe conectarse a un tomacorriente que cuente con la debida instalación y salida a tierra.

Consulte con un electricista calificado o un técnico sobre las instrucciones de conexión a tierra si no las comprende totalmente o si tuviera alguna duda de que su electrodoméstico haya quedado correctamente conectado a tierra. Si fuera necesario utilizar un cable de extensión, utilice un cable de 3 alambres que cuente con un enchufe de 3 extremidades y con un receptáculo de 3 ranuras donde se pueda conectar el enchufe del electrodoméstico. La resistencia eléctrica del cable de extensión debe ser igual o mayor a la resistencia eléctrica del electrodoméstico.

1. Un cable de abastecimiento corto reduce los riesgos derivados de enredarse o tropezarse con un cable mas largo.
2. Cordones más largos o cables de más extensión están disponibles y pueden ser utilizados si se ejerce el cuidado en su uso.
3. Si se utiliza un cordón largo o conjuntos de cables de extensión:
 - i) La clasificación eléctrica del juego de cables o la clasificación eléctrica de las extensiones de juegos de cables o extensiones de cables deben ser al menos tan grande como la clasificación eléctrica del aparato.
 - ii) El cable de extensión debe ser cordón a tierra tipo 3-cable;
 - iii) El cable más largo debe ser colocado de manera que no cuelgue sobre el mostrador o la mesa, donde puede ser tirado por niños o tropezarse con el sin intención

Interferencia de radio

1. El funcionamiento del microondas puede causar interferencias en la radio, la televisión o aparatos similares.
2. En caso de interferencia, esta puede ser reducida o eliminada tomando las siguientes medidas:
 - i) Limpie la puerta y la superficie de sellado del horno.
 - ii) Reoriente la antena receptora de radio o televisión.
 - iii) Traslade el microondas con respecto al receptor.
 - iv) Mueva el microondas lejos del receptor.
 - v) Conecte el microondas a una toma diferente de modo que el horno de microondas y el receptor estén en circuitos diferentes.

CONTENEDOR

PRECAUCIÓN

Peligro de lesiones personales

Es peligroso para cualquiera que no esté cualificado realizar reparaciones o mantenimiento que supongan retirar la tapa de mica que protege de la exposición a las microondas.

Véanse las instrucciones sobre “Materiales que pueden usarse o deben evitarse en el horno microonda” en la página 6.”

Algunos contenedor no metálicos pueden no ser seguros para su uso en un horno microondas. En caso de dudas, puede probar el contenedor en cuestión aplicando el procedimiento que se describe a continuación.

Prueba de contenedor:

1. Llene un recipiente apto para horno microondas con un vaso de agua fría (250 ml) e introdúzcalo en el horno microondas con el contenedor en cuestión
2. Cocine a la potencia más alta durante 1 minuto.
3. Toque con cuidado el contenedor. Si está caliente, no lo utilice para cocinar en el horno microondas.
4. No supere 1 minuto de cocción.

Materiales que se pueden usar en el horno a microondas

Observaciones

Bandeja doradora	Siga las instrucciones del fabricante. El fondo de la bandeja debe estar al menos a 5 mm arriba del plato giratorio. El uso incorrecto puede resultar en la rotura del plato giratorio.
Elementos para comida	Use solamente utensilios seguros para microondas. Siga las instrucciones del fabricante. No use platos rotos o astillados.
Jarras de vidrio	Quiteles siempre la tapa. Use solo para calentar alimentos hasta su punto justo. La mayoría de las jarras no son resistentes al calor y pueden romperse.
Cristalería	Use solamente cristalería resistente al calor del horno. Asegúrese de que no hay adornos metálicos. No use platos rotos o astillados.
Bolsas para cocinar en horno	Siga las instrucciones del fabricante. No las cierre con precintos. Asegúrese de que tengan aberturas para permitir la salida de vapores
Platos y vasos de papel	Uselos para cocción / calentamiento de corto tiempo. No deje el horno sin atención mientras cocina / caliente.
Servilletas de papel	Uselas para cubrir los alimentos para que retengan y absorban grasa. Deben usarse con supervisión para cocción de corto tiempo.
Pergamino de papel	Uselo como cubierta para prevenir salpicaduras o como envoltura para cocción al vapor.
Plásticos	Solamente aptos para microondas. Siga las instrucciones del fabricante. Deben estar etiquetados como "Seguros para microondas". Algunos plásticos contienen aislantes de manera que los alimentos en su interior logren calentarse. Las "Bolsas para Hervir" y las bolsas plásticas herméticamente cerradas deben ser abiertas o perforadas y usar como vienen empaquetadas.
Cubiertas plásticas	Solamente aptas para microondas. Uselas para cubrir los alimentos durante la cocción para retener la humedad. No permita que las cubiertas plásticas entren en contacto con los alimentos.
Termómetros	Solamente aptos para microondas. (termómetros para carnes y dulces / caramelo).
Papel encerado	Uselo como una cubierta para prevenir salpicaduras y retener la humedad

Materiales a ser evitados en el horno a microondas

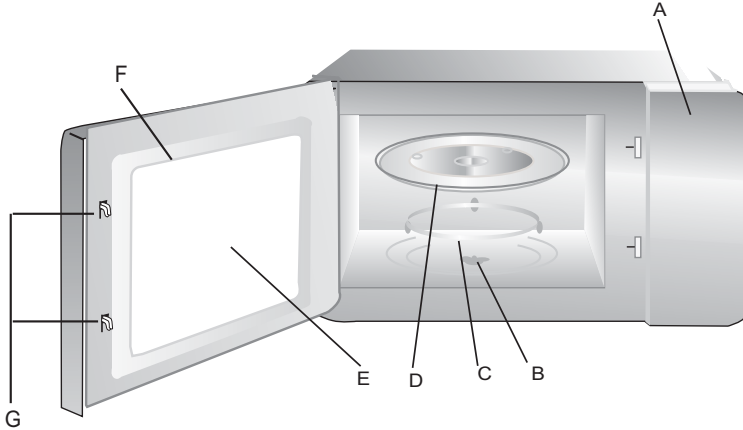
Observaciones Respecto a los contenedor

Bandeja de aluminio	Puede causar arcos. Pase los alimentos a un recipiente apto para microondas.
Caja de alimentos con manija metálica	Puede causar arcos. Pase los alimentos a un recipiente apto para microondas.
Utensilios de metal o con revestimientos metálicos	Los metales evitan que la energía de microondas vayan a los alimentos. Los adornos de metal pueden causar arcos.
Precintos o cierres de metal	Pueden causar arcos y podrían causar fuego dentro del horno.
Bolsas de papel	Pueden causar fuego en el horno.
Espumados plásticos	Los espumados plásticos pueden derretirse o contaminar el líquido dentro cuando son expuestos a altas temperaturas
Madera	La madera se secará cuando es usada en el horno a microondas y puede rajarse o romperse.

PREPARANDO SU HORNO A MICROONDAS

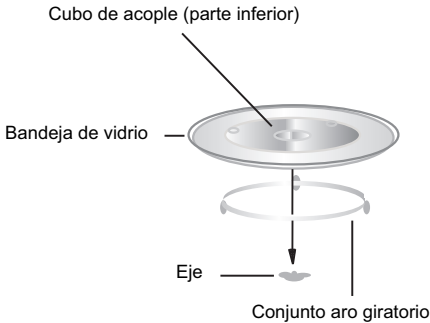
Nombres de las partes y accesorios

Retire el horno y todos los materiales de su caja y de la cavidad del horno.



- A) Panel de control
- B) Eje para bandeja giratoria
- C) Conjunto aro giratorio
- D) Bandeja de vidrio
- E) Ventana para observación
- F) Conjunto puerta
- G) Sistema de seguridad de cierre

Instalación del plato giratorio



- a. Nunca coloque la bandeja de vidrio con el lado de arriba hacia abajo. Nunca se debe usar el horno sin esta bandeja.
- b. Tanto la bandeja de vidrio como el aro giratorio siempre deben usarse durante la cocción.
- c. Todos los alimentos o los envases que los contienen siempre deben colocarse sobre la bandeja de vidrio giratoria.
- d. Si la bandeja de vidrio o el aro giratorio se fisuran o rompen, contáctese con centro de servicio mas cercano.

Previo a la instalación

Retire todo el material de embalaje y los accesorios.

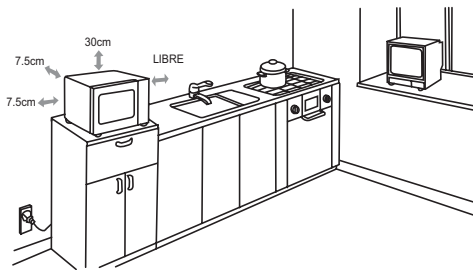
Examine el horno para descubrir si este tiene algún daño como ser abolladuras o la puerta desviada o rota.

Gabinete: Quite todo el film protector que encuentre en la superficie del gabinete.

No quite la tapa de Mica color marrón claro adherida dentro de la cavidad del horno, ya que esta sirve para proteger la válvula magnetrón.

Instalación

1. Elija una superficie nivelada que proporciona suficiente espacio abierto para la entrada y/o salida de aire para ventilación.



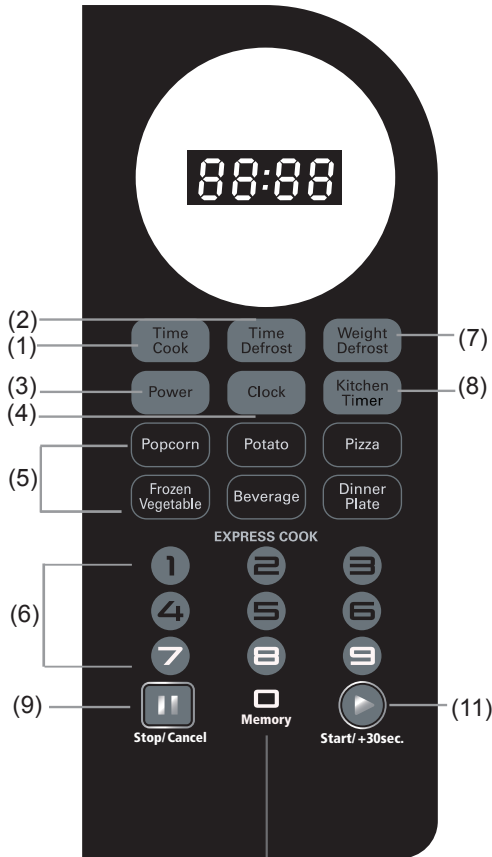
Una luz mínima de 7.5 cm se requiere entre el horno y cualquier pared adyacente. Un lado debe quedar libre.

- (1) Deje una luz mínima de 30 cm encima del horno.
 - (2) No quite las patas de la base del horno.
 - (3) El bloquear las aberturas de salida / entrada de aire pueden causar daño al horno.
 - (4) Colocar el horno tan lejos como sea posible de radios y televisores. El funcionamiento del horno microondas puede causar interferencias en la recepción de las emisiones de radio o TV.
2. Enchufe el horno en un tomacorriente normal doméstico con puesta a tierra. Asegúrese de que el voltaje y la frecuencia se correspondan con el marcado de la unidad en su etiquetado.

ADVERTENCIA: No instale el horno sobre una cocina o fogón u otro artefacto que produzca calor. Si lo instala cerca o sobre una fuente de calor, el horno puede dañarse y eso anulará la garantía.

FUNCIONAMIENTO

Panel de control y funciones



- (1) Tiempo de coccion
- (2) Descong por tiempo
- (3) Potencia
- (4) Reloj
- (5) Auto menús: Popcorn, Papas, Pizza, Vegetales congelados, Bebida, Plato de comida
- (6) Number buttons: 0-9
- (7) Descong por peso
- (8) Temporizador function
- (9) Detener/borrar: Borra todo lo programado anteriormente antes de iniciarse la cocción. Durante la cocción presione una vez para detener el horno y dos veces para detener y borrar todo lo programado.
- (10) Memoria function
- (11) Iniciar/+30seg.

OPERACIÓN

1. Nivel de potencia

11 Niveles de potencia disponibles

Nivel	10	9	8	7	6	5	4	3	2	1	0
Potencia	100%	90%	80%	70%	60%	50%	40%	30%	20%	10%	0%
Aparato	PL10	PL9	PL8	PL7	PL6	PL5	PL4	PL3	PL2	PL1	PL0

2. Ajuste de reloj

(1) Presione "**RELOJ**", se mostrará "00:00".



(2) Presione las teclas de número e introduzca la hora actual. Por ejemplo, la hora actual es 10:12, ahora, por favor presione "1,0,1,2" a su vez.



(3) Presione "**RELOJ**" para finalizar la configuración ":" parpadeará y el reloj será iluminado.

(4) Si la entrada de números no está dentro del rango de 1:00-12:59, el ajuste no será válido hasta que los números válidos sean ingresados.

Nota: (1) En el proceso de ajuste de reloj, si se presiona el botón "**DETENER/BORRAR**" o si no se realizan operaciones dentro de 1 minuto, el horno volverá a la configuración anterior de forma automática.

(2) Si el reloj necesita ser reiniciado, por favor, repita del paso 1 al paso 3.

3. Temporizador de cocina



(1) Presione "**TEMPORIZADOR**", LED mostrará 00:00, el flash que figura de la hora.

(2) Presione las teclas de número e introduzca la hora del temporizador. (el tiempo de cocción máximo es de 99 minutos y 99 segundos)

(3) Presione "**INICIAR/+30SEG.**" para confirmar la configuración.

(4) Cuando el tiempo del temporizador se cumpla, el timbre sonará 5 veces.

Si el reloj se establece (sistema de 12-horas), el LED mostrará la hora actual.

Nota: 1) El tiempo de cocina es diferente al sistema de 12 horas, el temporizador de cocina es un temporizador.

2) Durante el temporizador de cocina, no se podrá establecer cualquier programa.

4. Cocción microondas

(1) Presione "**TIEMPO DE COCCION**" una vez, el LED mostrará "00:00".



(2) Presione las teclas numéricas para introducir el tiempo de cocción; el tiempo máximo de cocción es de 99 minutos y 99 segundos.

(3) Presione "**POTENCIA**" una vez, el LED mostrará "PL10". La potencia por defecto es 100% de potencia. Ahora puede pulsar las teclas numéricas para ajustar el nivel de potencia.

(4) Presione "**INICIAR/+30SEG.**" para empezar a cocinar.

El paso 3 puede ser ignorado, el horno puede empezar a cocinar con el 100 % de potencia de microondas de acuerdo con el tiempo seleccionado.

Ejemplo: para cocinar los alimentos con 50% de potencia de microondas por quince minutos.

- Presione **"TIEMPO DE COCCION"** una vez, aparecerá "00:00".
- Presione "1", "5", "0", "0" en orden.
- Presione **"POTENCIA"** una vez, luego presione "5" para seleccionar el 50% de potencia de microonda.
- Presione **"INICIAR/+30SEG."** para empezar a cocinar.



Nota: 1) En el proceso de ajuste, si el botón **"DETENER/BORRAR"** es presionado o no se realizan operaciones dentro de 1 minuto, el horno volverá a la configuración anterior de forma automática.

2) Si el "PL0" es seleccionado, el oven trabajará con ventilador sin energía.

3) Durante la cocción puede presionarse **"POTENCIA"** para cambiar a la potencia que usted necesita.

Luego de presionar **"POTENCIA"**, la potencia actual aparecerá por 3 segundos, ahora usted puede presionar el botón del número para cambiar la potencia. El horno funcionará con la potencia seleccionada por el resto del tiempo.

5. Cocción rápida

- En estado de espera, la cocción instantánea al 100% de potencia puede ser iniciada por la selección de un tiempo de cocción de 1 a 6 minutos presionando en los números 1 al 6. Presione **"INICIAR/+30SEG."** para aumentar el tiempo de cocción, el tiempo de cocción máximo es de 99 minutos y 99 segundos.
- En estado de espera, cocción instantánea al 100% de potencia con 30 segundos de cocción puede ser iniciado presionando **"INICIAR/+30SEG."** Cada presión en el mismo botón incrementará el tiempo de cocción en 30 segundos, el tiempo máximo de cocción es 99 minutos y 99 segundos.

Nota: durante la cocción en el microondas y la descongelación el tiempo se puede añadir pulsando el botón **"INICIAR/+30SEG"**:

6. Función descongelante de peso

- Presione **"DESCONG POR PESO"**, el LED mostrará "dEF1".
- Presione los botones numéricos para introducir el peso a ser descongelado. Introduzca el peso que oscila entre 4-100 oz.
- Si el peso introducido no es entre 4-100, la entrada no será válida. Ningún "beep" sonará y la unidad no funcionará hasta que los números válidos sean introducidos.
- Presione **"INICIAR/+30SEG."** para iniciar la descongelación y el tiempo de cocción mantenida será mostrada.



7. Función tiempo de descongelación

- Presione **"DESCONG POR TIEMPO"**, el LED mostrará "dEF2".
- Presione los números para introducir el tiempo de descongelación. El tiempo de alcance efectivo es 00:01-99:99.
- La potencia automática del microondas es el nivel 3. Si desea cambiar el nivel de potencia, presione **"POTENCIA"** una vez, la pantalla mostrará "PL 3", luego presione el número del nivel que desea.
- Presione **"INICIAR/+30SEG."** para descongelar. El resto del tiempo de cocción se mantendrá en pantalla.





8 .Popcorn

- a) Presione "**POPCORN**" repetidas veces hasta que el número que desea aparezca en la pantalla, "1.75 ", "3.0", "3.5" oz aparecerá en orden.

Por ejemplo, presione "**POPCORN**" una vez y aparecerá "1.75".

- b) Presione "**INICIAR/+30SEG.**" para cocinar, el timbre sonará una vez. Cuando termine de cocinar, el timbre sonará cinco veces y luego volverá al estado de espera.



9 .Papas

- a) Presione "**PAPAS**" repetidas veces hasta que el número que desea aparezca en la pantalla, "1", "2", "3" aparecerá en orden.

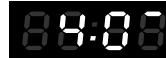
"1" SET: 1 papa (aproximadamente 8.0 oz)

"2" SETS: 2 papas (aproximadamente 16.0 oz)

"3" SETS: 3 papas (aproximadamente 24.0 oz)

Por ejemplo, presione "**PAPAS**" una vez y aparecerá "1".

- b) Presione "**INICIAR/+30SEG.**" para cocinar, el timbre sonará una vez. Cuando termine de cocinar, el timbre sonará cinco veces y luego volverá al estado de espera.



10. Vegetales congelados

- a) Presione "**VEGETALES CONGELADOS**" y aparecerá "4.0", "8.0", "16.0" oz en orden.
Por ejemplo, presione "**VEGETALES CONGELADOS**" una vez y aparecerá "4.0".

- b) Presione "**INICIAR/+30SEG.**" para cocinar, el timbre sonará una vez .Cuando termine de cocinar, el timbre sonará cinco veces y luego volverá al estado de espera.



11. Bebida

- a) Presione "**BEBIDA**" repetidas veces hasta que el número que desea aparezca en la pantalla, "1", "2", "3" tazas aparecerá en orden. Una taza de bebida es casi 4.0 oz.

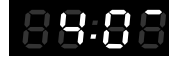
Por ejemplo, presione "**BEBIDA**" una vez y aparecerá "1".

- b) Presione "**INICIAR/+30SEG.**" para cocinar, el timbre sonará una vez. Cuando termine de cocinar, el timbre sonará cinco veces y luego volverá al estado de espera.



12. Plato de comida

- a) Presione "**PLATO DE COMIDA**" repetidas veces hasta que el número que desea aparezca en la pantalla, "9.0", "12.0", "18.0" oz aparecerá en orden.
Por ejemplo, presione "**PLATO DE COMIDA**" una vez y aparecerá "9.0".
- b) Presione "**INICIAR/+30SEG.**" para cocinar, el timbre sonará una vez. Cuando termine de cocinar, el timbre sonará cinco veces y luego volverá al estado de espera.



13. Pizza

- a) Presione "**PIZZA**" repetidas veces hasta que el número que desea aparezca en la pantalla, "4.0", "8.0", "14.0" oz aparecerá en orden.
Por ejemplo, presione "**PIZZA**" una vez y aparecerá "4.0".
- b) Presione "**INICIAR/+30SEG.**" para cocinar, el timbre sonará una vez. Cuando termine de cocinar, el timbre sonará cinco veces y luego volverá al estado de espera.

14. Función de memoria

- (1) Presione "**0/MEMORIA**" para seleccionar la memoria del procedimiento 1-3. La pantalla mostrará 1,2,3.
- (2) Si el procedimiento ha sido programado, presione "**INICIAR/+30SEG.**" para usarlo.
Caso contrario, programe el procedimiento. Solo se pueden programar una o dos etapas.
- (3) Al terminar de programar, presione "**INICIAR/+30SEG.**"
Si presiona "**INICIAR/+30SEG.**" nuevamente, la cocción comenzará.

Ejemplo: para programar el siguiente procedimiento como la segunda memoria, es la memoria 2. para cocinar un alimento con 80% de la potencia del microondas por 3 minutos y 20 segundos, los pasos son los siguientes:

- a. En la etapa de espera, presione "**0/MEMORIA**" dos veces, deje de presionar cuando la pantalla muestre "2".
- b. Presione "**TIEMPO DE COCCION**" una vez, luego presione "3", "2", "0" en orden.
- c. Presione "**POTENCIA**" una vez y aparecerá "PL10" en la pantalla, luego presione "8" y aparecerá "PL8".
- d. Presione "**INICIAR/+30SEG.**" para grabar la programación.
Si presiona "**INICIAR/+30SEG.**" nuevamente, la cocción comenzará.
- e. Si la electricidad no es interrumpida, el procedimiento se grabará todo el tiempo. Si es así, el procedimiento deberá ser reprogramado.
- f. Si desea iniciar el procedimiento grabado en la etapa de espera, presione "**0/MEMORIA**" dos veces, la pantalla mostrará "2", luego presione "**INICIAR/+30SEG.**" para iniciar.

15. Fase de cocción múltiple

Solo 2 etapas pueden ser programadas como máximo. En la fase cocción múltiple, si una etapa es el descongelamiento, entonces el descongelamiento deberá ubicarse en la primera etapa automáticamente.

Nota: La auto-cocción no puede funcionar en una fase de cocción múltiple.

Ejemplo: si desea cocinar con 80% de la potencia del microondas por 5 minutos + 60% de la potencia por 10 minutos, los pasos de cocción son los siguientes:


- (1) Presione "**TIEMPO DE COCCION**" una vez y luego presione "5", "0", "0" para programar el tiempo de cocción;
- (2) Presione "**POTENCIA**" una vez y luego presione "8" para seleccionar 80% de la potencia del microondas.
- (3) Presione "**TIEMPO DE COCCION**" una vez y luego presione "1", "0", "0", "0" para programar el tiempo de cocción;
- (4) Presione "**POTENCIA**" una vez y luego presione "6" para seleccionar 60% de la potencia del microondas.
- (5) Presione "**INICIAR/+30SEG.**" para cocinar.

16. Función de verificación

- (1) En el estado de cocción, presione "RELOJ", la pantalla mostrará el reloj por tres segundos.
- (2) En el estado de cocción del microondas, presione "**POTENCIA**" para ver el nivel de potencia del microondas, y se mostrará la potencia actual. Luego de tres segundos, el horno volverá al estado anterior. En el estado múltiple, la verificación puede realizarse de la misma manera más arriba indicada.

17. Función de bloqueo para niños

Bloqueo: En estado de espera, presione "**DETENER/BORRAR**" por 3 segundos, oirá un "beep" largo que avisará el inicio del estado de bloqueo para niños, la pantalla mostrará

"  "

Desbloqueo: En el estado de bloqueo, presione "**DETENER/BORRAR**" por 3 segundos, habrá un "beep" largo que avisará el desbloqueo.

18. Función recordatoria de la terminación de cocción

Cuando la cocción ha terminado, el timbre sonará 5 "beep" para avisar que la cocción ha terminado.

19. Otras especificaciones

- (1) En estado de espera, si el reloj digital muestra el tiempo actual, el icono ":" tendría un reflejo; caso contrario mostrará "00:00".
- (2) Al programar la función del estado, la pantalla mostrará la programación correspondiente.
- (3) En el estado de funcionamiento o pausa, la pantalla mostrará el tiempo extra de cocción.

MANTENIMIENTO

localización de defectos

Esta guía de mantenimiento y problemas ha sido desarrollada para que el usuario pueda referirse a ella en caso de que algún problema se presente con el aparato. Usted debe revisar esta guía antes de llamar a servicio técnico y determinar que lo que esta presentado el horno no sea posible resolverlo por medio de estas instrucciones.

PROBLEMA	POSIBLE CAUSA	POSIBLE SOLUCIÓN
El horno no da inicio a los procesos	<ul style="list-style-type: none"> a) El cable no esta conectado. b) Puerta esta abierta. c) Operación incorrecta. 	<ul style="list-style-type: none"> a) Conecte el cable. b) Cierre la puerta. c) Revise las instrucciones.
Chispeo o contacto metálico	<ul style="list-style-type: none"> a) Materiales que no deben ser usados en el horno están dentro de el en vea página 6. b) El horno se opera cuando esta vacío. c) Restos de comida en la cavidad del horno. 	<ul style="list-style-type: none"> a) Utilice solo utensilios de microondas. b) No opere vacío. c) Limpie la cavidad
Alimentos cocidos uniformemente	<ul style="list-style-type: none"> a) Materiales ajenos están siendo usados en vea página 6. b) La comida no esta por completo descongelada. c) El tiempo de cocción o poder de cocción es incorrecto. d) La comida no se ha volteado o batido. 	<ul style="list-style-type: none"> a) Utilice solo utensilios para microondas. b) Descongele la comida por completo. c) Ajuste el tiempo y poder de cocción correctos. d) Voltee o bata los alimentos.
Alimentos sobrecalentadas	<p>Tiempo de cocción o poder de cocción no esta ajustado adecuadamente.</p>	<p>Ajuste el tiempo de cocción y poder de la manera adecuada.</p>
Alimentos crudas no cocidos	<ul style="list-style-type: none"> a) Materiales ajenos están siendo usados en vea página 6. b) La comida no esta por completo descongelada. c) La ventilación no es adecuada. d) Poder de cocción o tiempo incorrectos. 	<ul style="list-style-type: none"> a) Utilice solo utensilios para microondas. b) Descongele la comida por completo. c) Revise que la ventilación sea la adecuada. d) Ajuste tiempo y poder adecuadamente
Descongelación inapropiado	<ul style="list-style-type: none"> a) Materiales ajenos están siendo usados en vea página 6. b) Poder de cocción o tiempo incorrectos. c) La comida no se ha volteado o batido. 	<ul style="list-style-type: none"> a) Utilice solo utensilios de microondas. b) Ajuste tiempo y poder adecuadamente c) Voltee o bata los alimentos.

GARANTÍA LIMITADA POR UN AÑO

Este producto cuenta con una garantía por defectos de materiales y fabricación por el período de un año a partir de la fecha de compra. Esta garantía es válida para el comprador minorista original desde la fecha de compra inicial y no es transferible. Guarde su comprobante de venta original.

IMPORTANTE:

1. Esta garantía no cubre daños resultantes de accidentes, mal uso o abuso, falta de cuidado responsable, fijar cualquier accesorio no provisto con el producto, pérdida de partes o someter al aparato a cualquier voltaje diferente al especificado. (Lea las instrucciones con atención).
2. Esta garantía es invalido si este producto se utiliza para con excepción de los propósitos privados de casa.
3. Esta garantía es invalido si este producto se utiliza fuera de Estados Unidos.

Si requiere servicio durante el período de garantía, empaque la unidad apropiadamente. Recomendamos el uso de la caja y los materiales de embalaje originales.

Para asistencia adicional por favor contacte nuestro servicio de asistencia al cliente bajo el número:

800-842-1289

Midea America Corp

5 Sylvan Way,

Parsippany, NJ 07054

Midea America Corp. expresamente rechaza cualquier responsabilidad por daños resultantes o pérdidas accidentales causadas por el aparato. Algunos estados no permiten esta exclusión o limitación de pérdidas resultantes o accidentales, por lo que la limitación de responsabilidad antes mencionada puede no aplicarse a usted. Esta garantía le otorga derechos legales, y usted también puede tener otros derechos que pueden variar de estado en estado.

El número de serie se encuentra en el fondo del gabinete. Le aconsejamos que recorda ésto en el espacio abajo para la referencia en el futuro.

Número de modelo: _____

Número de serie: _____

GUARDE ESTO PARA SUS REGISTROS

Hecho en China

BLACK+DECKER es registran marcas de la Corporación de Black & Decker, o uno de sus afiliados y se utilizan bajo licencia.

