

*For Residential and Commercial Applications*

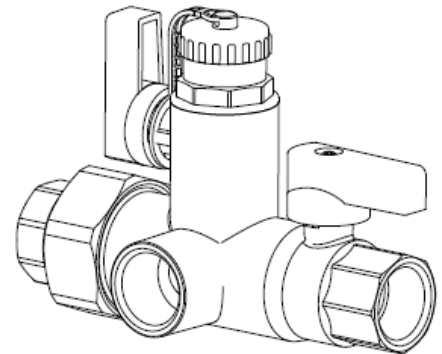
Job Name		Engineer / Architect	
Job Location		Wholesaler	
Submittal Date		Contractor	

## TWV30 /TWV3S Tankless Water Heater Hot/Cold Service Valves

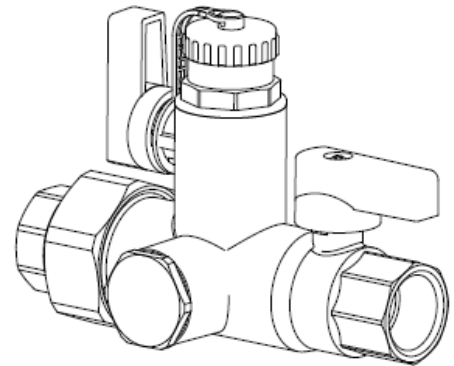
**Use:** For use in potable water distribution systems. Valves are used for water flow control to and from tankless water heater for maintenance of the appliance and emergency shut-off. Valves connect directly to cold water inlet and hot water outlet of the tankless water heater.

**Design Features:**

- **One-piece construction** reduces the potential for leaks
- **Integrated drain valve** with independent, ¼ turn operation allows quick system diagnostic testing and maintenance
- **Built-in side port** for the pressure relief valve reduces the number of connections & simplifies the installation process
- **Color-coded valve handles** & coupling ring provides immediate water system identification
- **Right-sized handles** ensures on-off operation even in tight installations
- **Large wrench flats** on coupling nut for ease of installation
- **O-ring seal** on coupling nut won't kink or tear during installation



HOT



COLD

**Operating Specifications:**

**Temperature:** 40° - 180° F  
**Pressure:** 125 psi maximum

<b>MATERIAL SPECIFICATIONS</b>	
<b>Valve Body</b>	Forged CW617N brass
<b>Ball</b>	Chrome-plated CW614N brass
<b>Seals / Seats</b>	PTFE
<b>Stem</b>	C36000 brass
<b>Coupling Nut</b>	Forged CW617N brass
<b>O-ring</b>	Nitrile rubber
<b>Drain Cap</b>	Forged CW617N brass
<b>Cap Gasket</b>	Nitrile rubber
<b>Handle</b>	Aluminum
<b>Screw</b>	Zinc-plated steel

**Part Listing:**

- TWV30 3/4" IPS x 3/4" IPS Hot/Cold Service Valves Only
- TWV3S 3/4" Sweat x 3/4" IPS Hot/Cold Service Valves Only

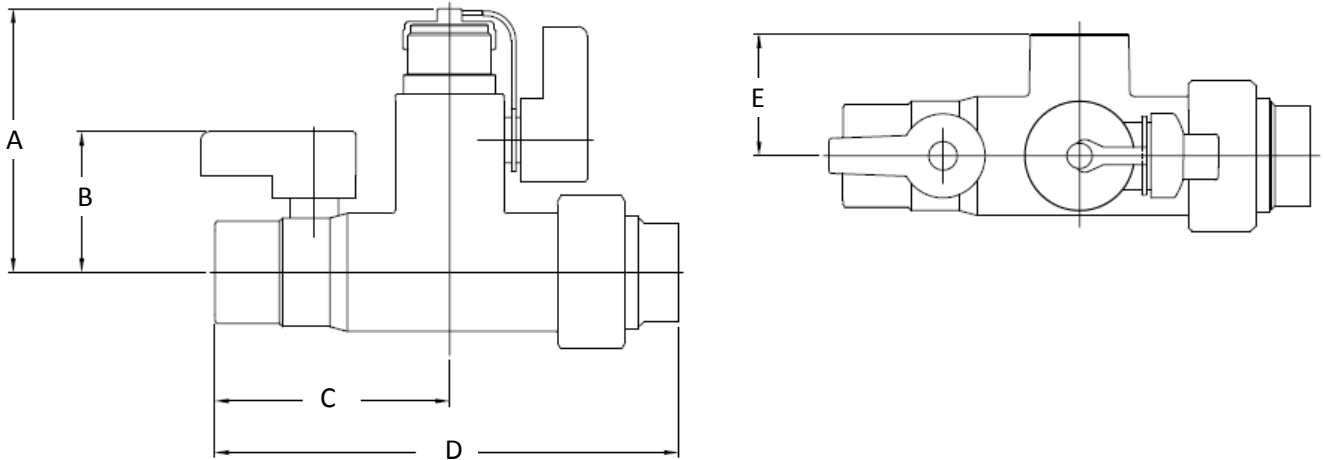
*This specification and all information contained herein is the confidential and exclusive property of BrassCraft Manufacturing, and shall not be disclosed to others without the written consent of BrassCraft. This specification must be returned to BrassCraft if requested.*



# TWV30 /TWV3S Tankless Water Heater Hot/Cold Service Valves

**Part Listing (con't):**

- TWV30R      3/4" IPS x 3/4" IPS Hot/Cold Service Valve Kit w/ 200K Pressure Relief Valve
- TWV3SR      3/4" Sweat x 3/4" IPS Hot/Cold Service Valve Kit w/ 200K Pressure Relief Valve



<b>PART SPECIFICATIONS (Inches)</b>					
<b>Model</b>	<b>DIM. A</b>	<b>DIM. B</b>	<b>DIM. C</b>	<b>DIM. D</b>	<b>DIM. E</b>
TWV30 / TWV30R	3.37	1.69	3.00	5.91	1.65
TWV3S / TWV3SR	3.37	1.69	3.00	5.91	1.65

**Listings and Certifications:**

- CSA verified to WOG 600 rating

*This specification and all information contained herein is the confidential and exclusive property of BrassCraft Manufacturing, and shall not be disclosed to others without the written consent of BrassCraft. This specification must be returned to BrassCraft if requested.*

