



Achim Home Décor's Family of Home Furnishings thanks you for your most recent purchase. We are confident this product will bring beauty and functionality to your home.

Installation Instructions for Cordless GII Deluxe Sundown 1-in. Room Darkening Mini Blind



- In the box (images are not to scale):
- 1 – Cordless GII Blind with tilt wand
 - 2 – Brackets
 - 8 – Screws
 - 2 - Hold down brackets



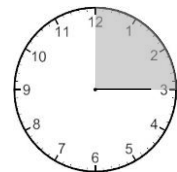
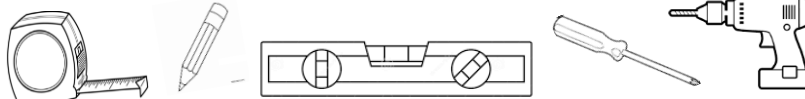
Important Safety Information

Please read all instructions, warning tags and labels provided with your new product. Proper installation and operation are essential to avoid injury. Keep these instructions for future reference.

Time to complete:
Approximately 15 minutes

Tools needed:

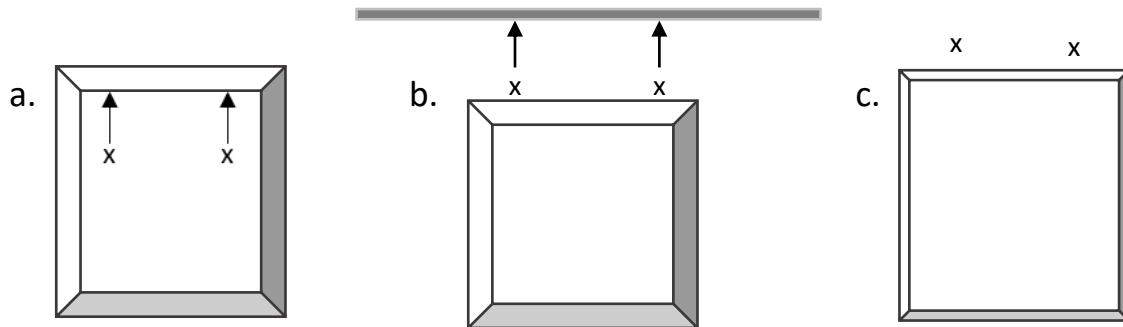
Pencil, tape measure, level, Phillips screwdriver, drill, and 3/32-in. drill bit





Installation Instructions for Cordless GII Deluxe Sundown 1-in. Room Darkening Mini Blind

Step 1 – Determine mounting type: inside, ceiling or outside



There are three options for hanging:

- Inside mount will allow the blind to fit inside the window frame and will be installed using the bracket's top screw holes into the underside of the window frame.
- Ceiling mount will allow the blind to hang in front of the window frame from the ceiling and will use the bracket's top screw holes.
- Outside mount is typically chosen when there is not a traditional window frame. The blind will be installed into the wall above the window casing, using the bracket's back screw holes.

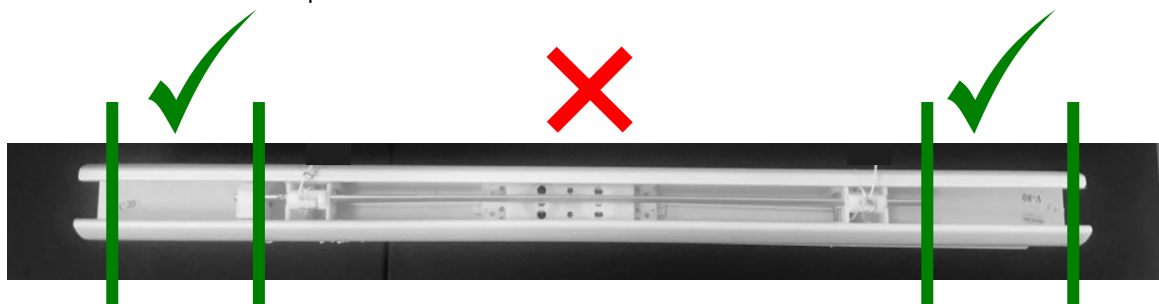
Measure the width of your desired hanging option. This blind will fit windows $\frac{3}{8}$ " (0.95 cm) smaller and $\frac{1}{2}$ " (1.27 cm) wider than it's stated size. This actual blind is $\frac{1}{2}$ " (1.27 cm) narrower/smaller than the stated size.

Step 2 – Place blind in desired location and mark corners of blind

- For inside mount, mark the underside of the window frame.
- For ceiling mount, use a tape measure to measure the thickness of the window frame and mark an equal distance from the wall, as well as the corners of the blind on the ceiling.
- For outside mount, use a level to help ensure that the blind is completely level and mark the corners of the blind. You can also use a tape measure to make sure the blind is perfectly centered above your window.

Step 3 – Mark wall area where not to hang brackets

Tilt blind forward to see top of head rail and mark wall, window frame or ceiling with the location of the blind's internal components. Place an X in this area. For proper operation of the blind, the brackets must be outside this area. Please note, the brackets will not fit securely into place if they are installed in the same area as the inside components of the blind.

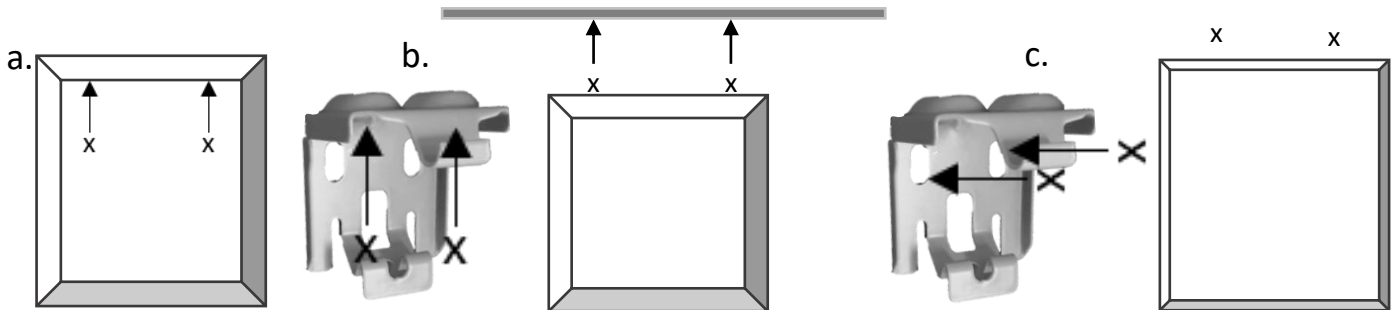




Installation Instructions for Cordless GII Deluxe Sunset 1-in. Room Darkening Mini Blind

Step 4 – Mark the screw locations

View pictures and illustrations below of how to position the brackets and the correct screw holes to use for each mounting option. Mark screw locations within the acceptable area of your previous markings and/or measurements from Step 3.



****Bracket images enlarged to show detail****

a. & b.: For inside mount and ceiling mount use bracket's top screw holes.

c.: For outside mount use the bracket's back screw holes.

Step 5 – Drill holes at your pencil marks



Step 6 – Screw brackets into place

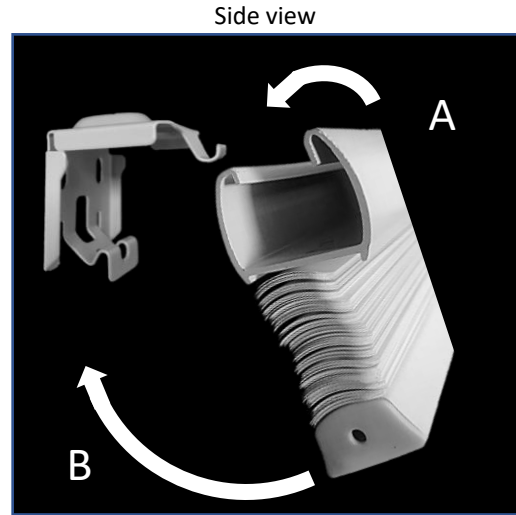




Installation Instructions for Cordless GII Deluxe Sundown 1-in. Room Darkening Mini Blind

Step 7 – Mount blind into brackets

With the blind fully retracted and the top of the blind's headrail angled towards the window, align the front of the headrail to the top and front portion of the bracket, labeled "A" below. Then, rotate the headrail and blind towards the window until you hear a click, labeled "B" below.



Operation Instructions

TO BRING THE BLIND DOWN TO THE WINDOWSILL:

Using the center of the bottom rail, pull the blind down to the windowsill.



TO FULLY OPEN THE BLIND:

Using the center of the bottom rail, simply push the blind up to the headrail. Please note, you can stop at any desired height.

TO TILT THE SLATS:

Twist the tilt wand to adjust to the desired slat opening.





Installation Instructions for Cordless GII Deluxe Sunset 1-in. Room Darkening Mini Blind

Troubleshooting:

BOTTOM RAIL IS UNEVEN:

Raise the blind to the top and lower the blind using center of the bottom rail.

Lower the blind to approximately 3 ft. from the headrail. While holding one side of the bottom rail, adjust the other side of the headrail as needed to align.

Raise and lower from the center of the bottom rail twice to check consistency and repeat above steps, if necessary.

DIFFICULTY ATTACHING HEADRAIL INTO MOUNTING BRACKETS:

Make sure the bracket is correctly secured to the window or wall.

Identify that the front of the headrail is connecting with the front lip of the bracket.

Make sure that the bracket is not interfering with the internal components of the blind.

Tilt the top of the headrail towards the bracket (window) and the bottom of the blind towards yourself.

If additional assistance is needed, please contact our customer service center at the phone number or email address listed below.

Care of your new blind:

CLEAN:

Dust gently with a clean, damp non-abrasive cloth.

USAGE:

Do not over-extend the blind.

Take care to not over tighten the tilt wand, as this could break the hanging loop.

Proper installation and operation will extend the life and beauty of your new blind.

PLEASE NOTE:

This cordless blind cannot be shortened. This blind is intentionally made longer to allow for slat tilt operation. Altering the size of this blind will compromise the function of the blind.