

**RYOBI
18 VOLT CIRCULAR SAW
MODEL NUMBER P505
REPAIR SHEET**

RYOBI 5-1/2 in. (140 mm) CIRCULAR SAW – ITEM NUMBER P505

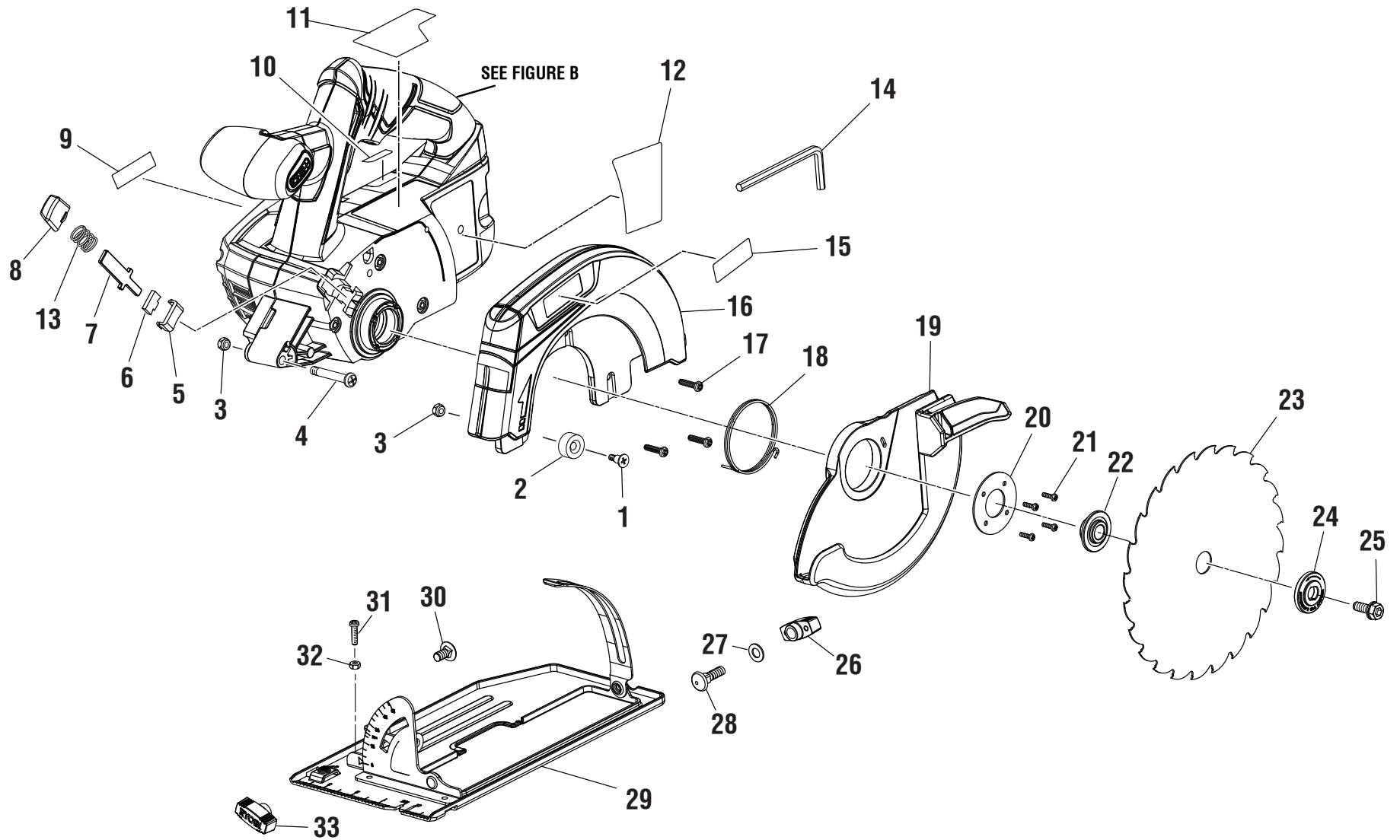


FIGURE A

RYOBI 5-1/2 in. (140 mm) CIRCULAR SAW – ITEM NUMBER P505

The model number will be found on a label attached to the motor housing. Always mention the model number in all correspondence regarding your **CIRCULAR SAW** or when ordering repair parts.

PARTS LIST – FIGURE A

KEY NO.	PART NUMBER	DESCRIPTION	QTY	KEY NO.	PART NUMBER	DESCRIPTION	QTY
1	660193006	Screw (M5 x 18 mm).....	1	20	680503003	Retainer Plate	1
2	560990003	Rubber Stopper.....	1	21	660201004	Screw (M2.6 x 10 mm, Pan Hd.).....	4
3	670974003	Lock Nut (M5)	2	22	610276003	Inner Blade Clamp.....	1
4	660145003	Screw (M5 x 40 mm, Pan Hd.).....	1	23	670973029	Blade (5-1/2 in., 24T)	1
5	523287001	Shaft Lock Holder.....	1	24	610121001	Outer Blade Clamp.....	1
6	900303008	Sealing Pad	1	25	660144005	Blade Screw (M6 x 16 mm, Left Hand Threads).....	1
7	630191001	Shaft Lock Plate	1	26	301124004	Depth Lock Knob.....	1
8	523274001	Shaft Lock Button.....	1	27	691992001	Washer (OD12 x ID6.4 x 1t)	1
9	940114191	Logo Label (End Cap).....	1	28	661067002	Screw (M6 x 22 mm, Pan Hd.).....	1
10	940533055	Ryobi One+ Label.....	1	29	304721009	Base Assembly (Incl. Key Nos. 30-33)	1
11	941121478	Data Label	1	30	660142008	Screw (M6 x 12 mm, Pan Hd.).....	1
12	941120109	Warning Label.....	1	31	660212053	Screw (M4 x 16 mm, Pan Hd.).....	1
13	670056001	Compression Spring (Shaft Lock).....	1	32	680022003	Hex Nut (M4).....	1
14	680002001	Hex Key (#5, 6 mm x 80 mm)	1	33	301124011	Bevel Lock Knob	1
15	941002221	Logo Label.....	1			Not Shown	
16	525914002	Upper Blade Guard.....	1			Operator's Manual	
17	660024044	Screw (M4 x 16 mm, T20 Torx Pan Hd.)	3		990000625		
18	680672001	Torsion Spring.....	1		5-24-16		
19	523124001	Lower Blade Guard.....	1		(Rev:03)		

RYOBI 5-1/2 in. (140 mm) CIRCULAR SAW – ITEM NUMBER P505

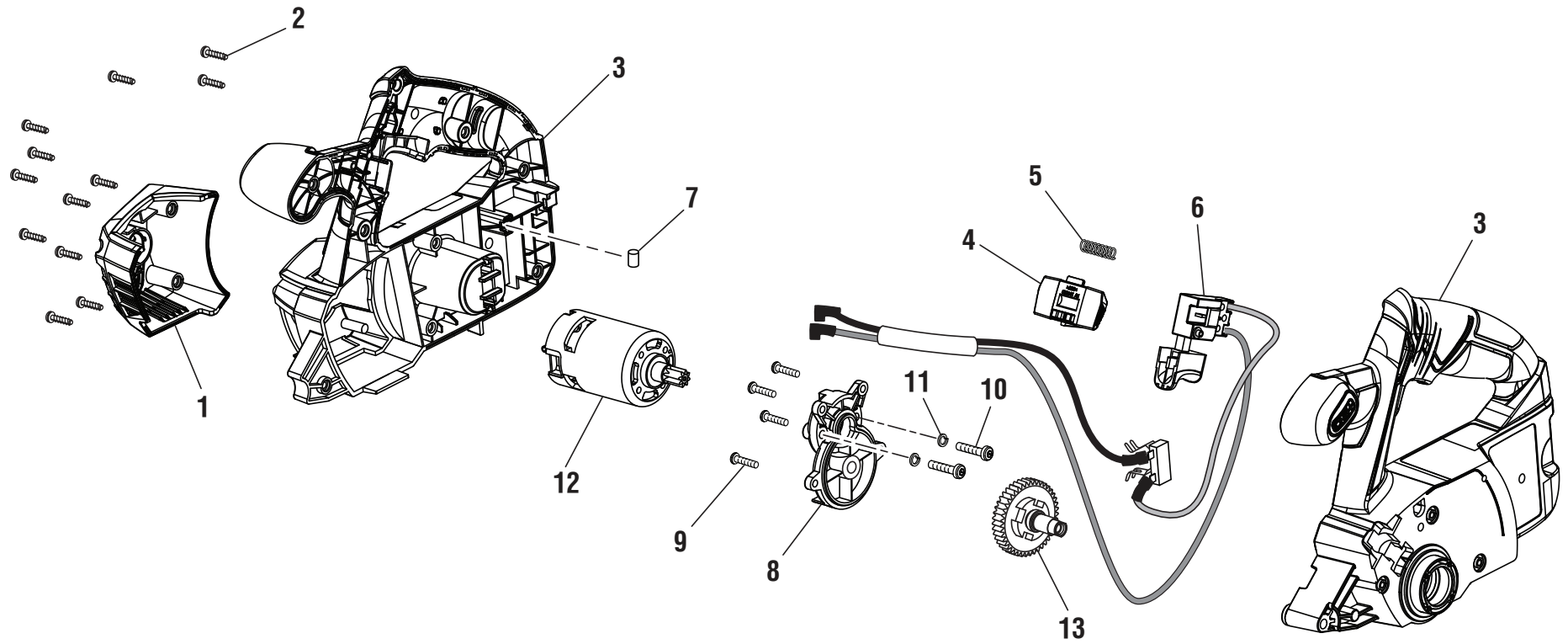


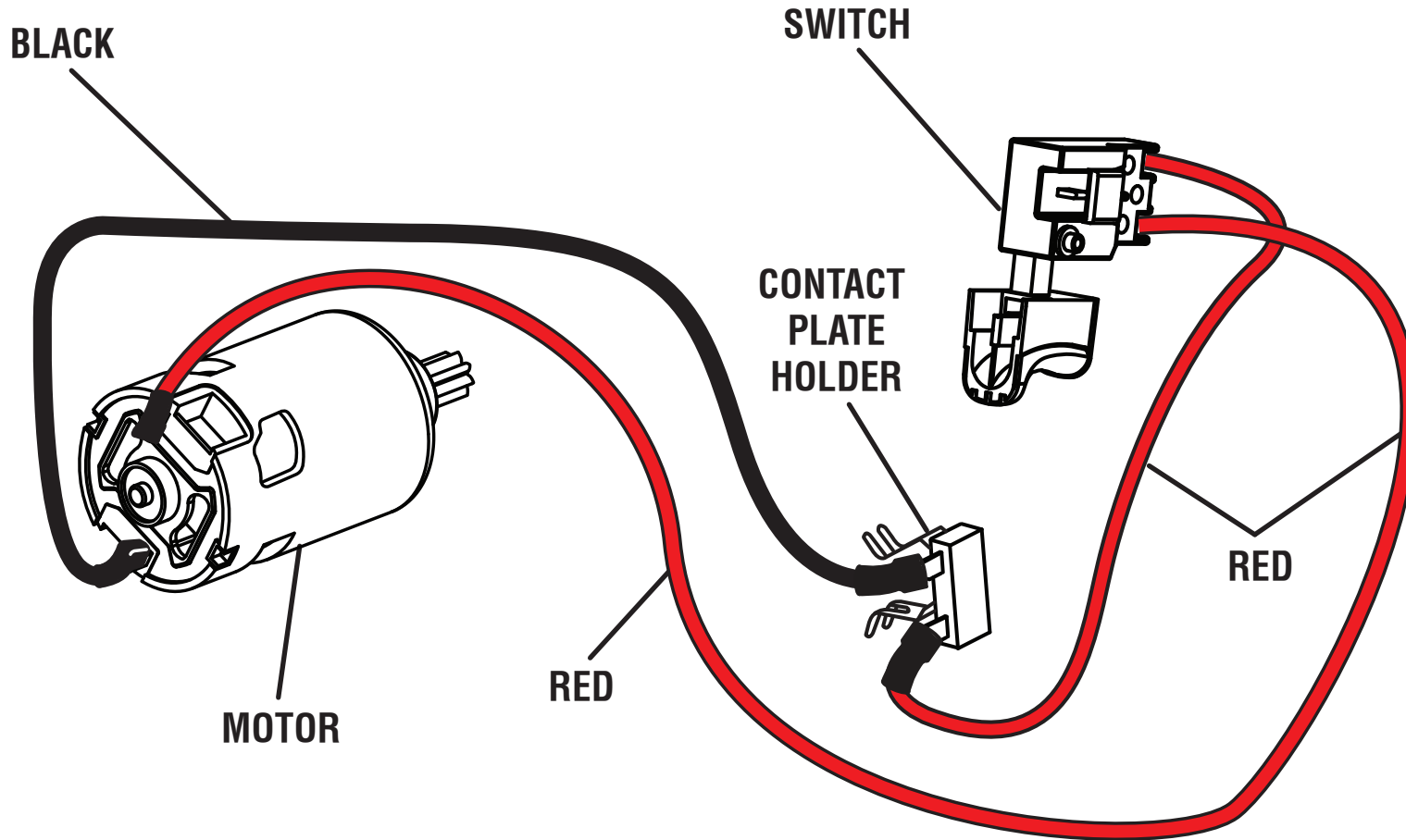
FIGURE B

RYOBI 5-1/2 in. (140 mm) CIRCULAR SAW – ITEM NUMBER P505

The model number will be found on a label attached to the motor housing. Always mention the model number in all correspondence regarding your **CIRCULAR SAW** or when ordering repair parts.

PARTS LIST – FIGURE B

KEY NO.	PART NUMBER	DESCRIPTION	QTY
1	523123001	End Cap.....	1
2	660024044	Screw (M4 x 16 mm, T20 Torx Pan Hd.)	12
3	202052001	Housing Assembly.....	1
4	523141001	Lock-Off Button.....	1
5	672552001	Spring	1
6	270016162	Switch w/Wiring Assembly	1
7	560219006	Hex Key Plug	1
8	305003001	Gear Box Assembly	1
9	660208049	Screw (M4 x 22 mm, Pan Hd.).....	4
10	660212004	Screw (M4 x 16 mm, T25 Torx Pan Hd.).....	2
11	670030004	Washer (OD7.2 x ID4.1 x 1.1t)	2
12	230163006	Motor w/Pinion Assembly.....	1
13	304522001	Output Shaft w/Gear Assembly.....	1



WIRING DIAGRAM