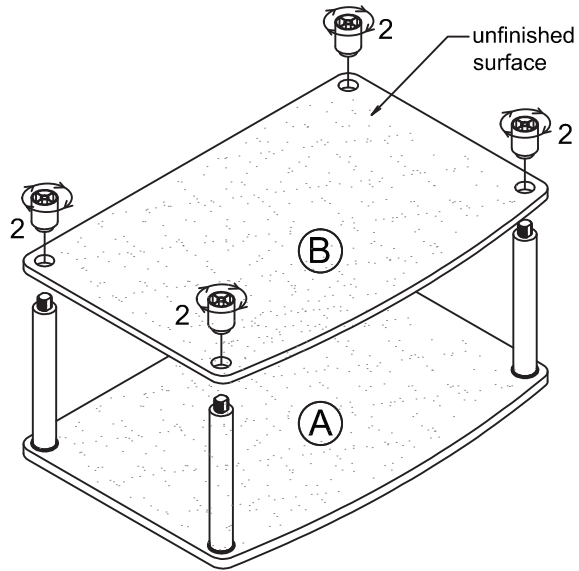
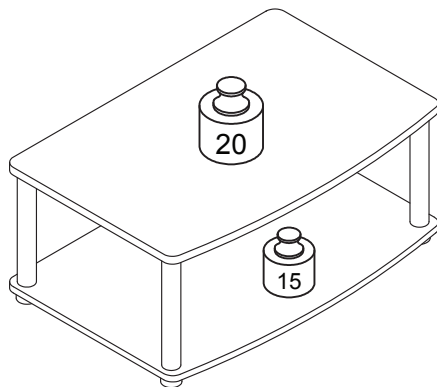


STEP 2

Attach Panel (B) & Round Leg (2) to assembled unit (A) and tighten it, as shown.



Recommended Maximum Weight



*Unit in Pound(lbs)

WARNING:

>This unit has been designed to support the maximum loads shown. Exceeding these load limits could cause sagging, instability, product collapse, and/or serious injury.

>DO NOT allow children to climb on unit.

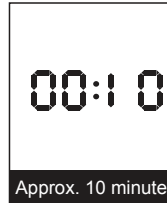
>Put heavier items on lower shelves.



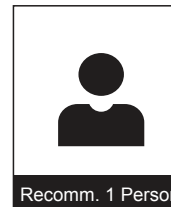
Assembly Instruction

Furinno 2-Tier Elevated TV Stand

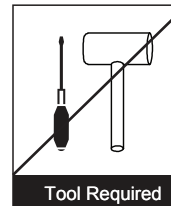
MODEL : 13191



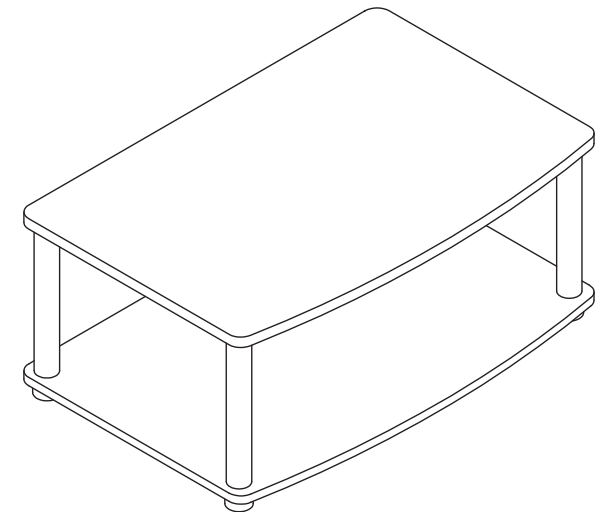
Approx. 10 minutes



Recomm. 1 Person



Tool Required

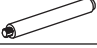





Customer Support

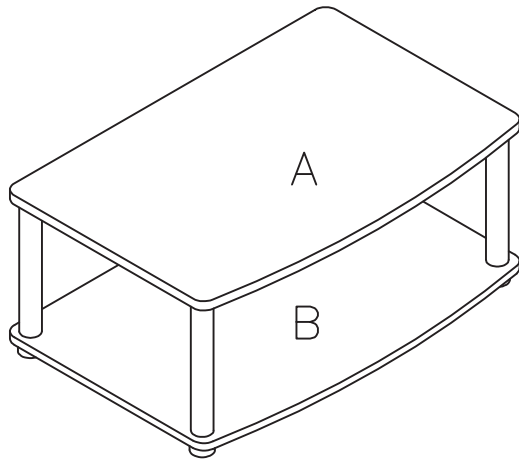
NEED HELP? For replacement requests or product inquiries, please contact our Customer Service Team by emailing us at support@furinno.com. Thank you for selecting Furinno!

www.furinno.com



No	Hardware List	Qty
1	Round Pole 	4pcs
2	Round Leg 	4pcs

No	Parts List	Qty
A	Top Panel 	1pc
B	Bottom Panel 	1pc



USEFUL HINTS BEFORE YOU START:

1. Read each step carefully before starting.
2. It is important that each step is performed in correct order to avoid difficulties.
3. Identify, sort and count the parts before assembly.
4. Assemble your furniture on packaging cardboard to prevent scratch or damage.
5. Clean the product with mild cleanser using soft damped cloth. Do not use harsh or abrasive cleanser.
6. Using incompatible hardware might cause damage to product.

ASSEMBLY INSTRUCTION

STEP 1

Attach Pole (1) to Panel (A) and tighten it.

