



REGISTER YOUR TOOLS

<http://register.ryobitools.com>

1-800-525-2579

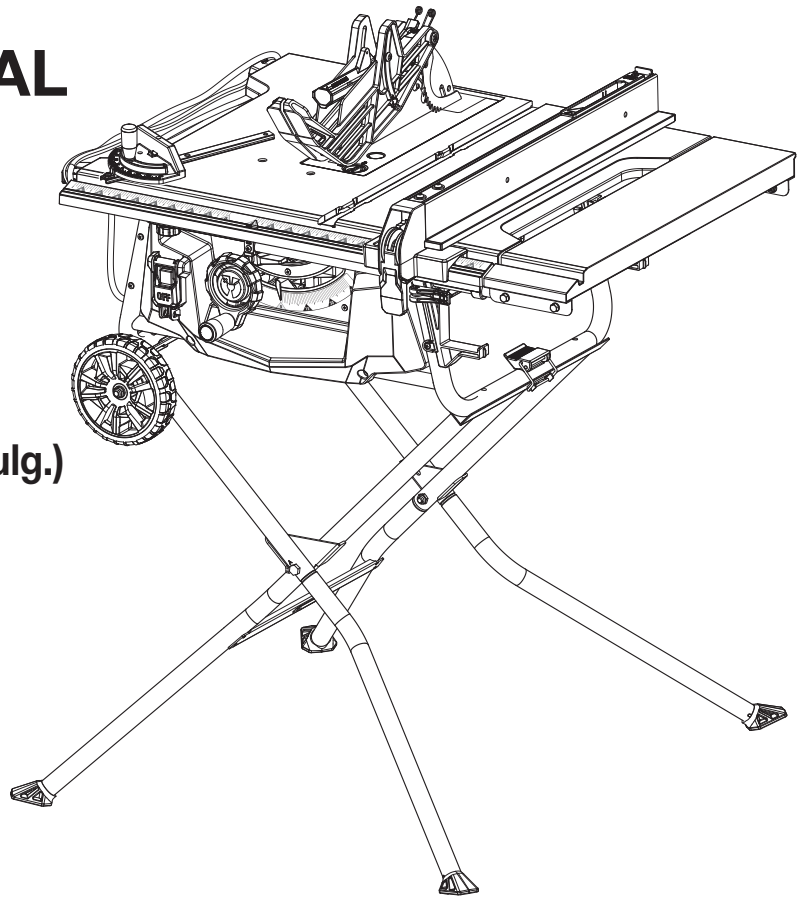
OPERATOR'S MANUAL

MANUEL D'UTILISATION

MANUAL DEL OPERADOR

10 in. TABLE SAW
SCIE À TABLE de 254 mm (10 po)
SIERRA DE MESA de 254 mm (10 pulg.)

RTS23



The saw has been engineered and manufactured to our high standard for dependability, ease of operation, and operator safety. When properly cared for, it will give you years of rugged, trouble-free performance.

⚠ WARNING: To reduce the risk of injury, the user must read and understand the operator's manual before using this product.

SAVE THIS MANUAL FOR FUTURE REFERENCE

Cette scie a été conçue et fabriquée conformément aux strictes normes de fiabilité, simplicité d'emploi et sécurité d'utilisation. Correctement entretenu, cet outil vous donnera des années de fonctionnement robuste et sans problème.

Su sierra ha sido diseñado y fabricado de conformidad con nuestras estrictas normas para brindar fiabilidad, facilidad de uso y seguridad para el operador. Con el debido cuidado, le brindará muchos años de sólido funcionamiento y sin problemas.

⚠ AVERTISSEMENT : Pour réduire les risques de blessures, l'utilisateur doit lire et veiller à bien comprendre le manuel d'utilisation avant d'employer ce produit.

⚠ ADVERTENCIA: Para reducir el riesgo de lesiones, el usuario debe leer y comprender el manual del operador antes de usar este producto.

**CONSERVER CE MANUEL POUR
FUTURE RÉFÉRENCE**

**GUARDE ESTE MANUAL PARA
FUTURAS CONSULTAS**

TABLE OF CONTENTS

TABLE DES MATIÈRES / ÍNDICE DE CONTENIDO

■ Introduction	2
Introduction / Introducción	
■ General Safety Rules	3-4
Règles de sécurité générales / Reglas de seguridad generales	
■ Table Saw Safety Rules	4-6
Règles de sécurité scie à table / Reglas de seguridad sierra de mesa	
■ Additional Safety Rules	6
Règles de sécurité supplémentaires / Advertencias de seguridad adicionales	
■ Symbols.....	7
Symboles / Símbolos	
■ Electrical	8
Caractéristiques électriques / Aspectos eléctricos	
■ Glossary of Terms.....	9
Glossaire / Glosario de términos	
■ Features.....	10-12
Caractéristiques / Características	
■ Tools Needed.....	13
Outils nécessaires / Herramientas necesarias	
■ Loose Parts	14
Pièces détachées / Piezas sueltas	
■ Assembly	15-25
Assemblage / Armado	
■ Operation.....	26-44
Utilisation / Funcionamiento	
■ Adjustments.....	45-47
Réglages / Ajustes	
■ Maintenance.....	48-49
Entretien / Mantenimiento	
■ Accessories	49
Accessoires / Accesorios	
■ Troubleshooting	49-50
Dépannage / Corrección de problemas	
■ Parts Ordering and Service	Back page
Commande de pièces et réparation / Pedidos de piezas y servicio	

INTRODUCTION

INTRODUCTION / INTRODUCCIÓN

This product has many features for making its use more pleasant and enjoyable. Safety, performance, and dependability have been given top priority in the design of this product making it easy to maintain and operate.

* * *

Ce produit offre de nombreuses fonctions destinées à rendre son utilisation plus plaisante et satisfaisante. Lors de la conception de ce produit, l'accent a été mis sur la sécurité, les performances et la fiabilité, afin d'en faire un outil facile à utiliser et à entretenir.

* * *

Este producto ofrece numerosas características para hacer más agradable y placentero su uso. En el diseño de este producto se ha conferido prioridad a la seguridad, el desempeño y la fiabilidad, por lo cual se facilita su manejo y mantenimiento.

GENERAL SAFETY RULES

WARNING:

Read all safety warnings, instructions, illustrations and specifications provided with this power tool. Failure to follow all instructions listed below may result in electric shock, fire and/or serious injury.

Save all warnings and instructions for future reference.

The term “power tool” in the warnings refers to your mains-operated (corded) power tool or battery-operated (cordless) power tool.

WORK AREA SAFETY

- **Keep work area clean and well lit.** Cluttered or dark areas invite accidents.
- **Do not operate power tools in explosive atmospheres, such as in the presence of flammable liquids, gases or dust.** Power tools create sparks which may ignite the dust or fumes.
- **Keep children and bystanders away while operating a power tool.** Distractions can cause you to lose control.

ELECTRICAL SAFETY

- **Power tool plugs must match the outlet. Never modify the plug in any way. Do not use any adapter plugs with earthed (grounded) power tools.** Unmodified plugs and matching outlets will reduce risk of electric shock.
- **Avoid body contact with earthed or grounded surfaces, such as pipes, radiators, ranges and refrigerators.** There is an increased risk of electric shock if your body is earthed or grounded.
- **Do not expose power tools to rain or wet conditions.** Water entering a power tool will increase the risk of electric shock.
- **Do not abuse the cord. Never use the cord for carrying, pulling or unplugging the power tool. Keep cord away from heat, oil, sharp edges or moving parts.** Damaged or entangled cords increase the risk of electric shock.
- **When operating a power tool outdoors, use an extension cord suitable for outdoor use.** Use of a cord suitable for outdoor use reduces the risk of electric shock.
- **If operating a power tool in a damp location is unavoidable, use a ground fault circuit interrupter (GFCI) protected supply.** Use of a GFCI reduces the risk of electric shock.

PERSONAL SAFETY

- **Stay alert, watch what you are doing and use common sense when operating a power tool. Do not use a power tool while you are tired or under the influence of drugs, alcohol or medication.** A moment of inattention while operating power tools may result in serious personal injury.

- **Use personal protective equipment. Always wear eye protection.** Protective equipment such as dust mask, non-skid safety shoes, hard hat, or hearing protection used for appropriate conditions will reduce personal injuries.
- **Prevent unintentional starting. Ensure the switch is in the off-position before connecting to power source and/or battery pack, picking up or carrying the tool.** Carrying power tools with your finger on the switch or energizing power tools that have the switch on invites accidents.
- **Remove any adjusting key or wrench before turning the power tool on.** A wrench or a key left attached to a rotating part of the power tool may result in personal injury.
- **Do not overreach. Keep proper footing and balance at all times.** This enables better control of the power tool in unexpected situations.
- **Dress properly. Do not wear loose clothing or jewelry. Keep your hair, clothing and gloves away from moving parts.** Loose clothes, jewelry or long hair can be caught in moving parts.
- **If devices are provided for the connection of dust extraction and collection facilities, ensure these are connected and properly used.** Use of dust collection can reduce dust-related hazards.
- **Do not let familiarity gained from frequent use of tools allow you to become complacent and ignore tool safety principles.** A careless action can cause severe injury within a fraction of a second.

POWER TOOL USE AND CARE

- **Do not force the power tool. Use the correct power tool for your application.** The correct power tool will do the job better and safer at the rate for which it was designed.
- **Do not use the power tool if the switch does not turn it on and off.** Any power tool that cannot be controlled with the switch is dangerous and must be repaired.
- **Disconnect the plug from the power source and/or remove the battery pack, if detachable, from the power tool before making any adjustments, changing accessories, or storing power tools.** Such preventive safety measures reduce the risk of starting the power tool accidentally.
- **Store idle power tools out of the reach of children and do not allow persons unfamiliar with the power tool or these instructions to operate the power tool.** Power tools are dangerous in the hands of untrained users.
- **Maintain power tools and accessories. Check for misalignment or binding of moving parts, breakage of parts and any other condition that may affect the power tool's operation. If damaged, have the power tool repaired before use.** Many accidents are caused by poorly maintained power tools.

GENERAL SAFETY RULES

- **Keep cutting tools sharp and clean.** Properly maintained cutting tools with sharp cutting edges are less likely to bind and are easier to control.
- **Use the power tool, accessories and tool bits etc. in accordance with these instructions, taking into account the working conditions and the work to be performed.** Use of the power tool for operations different from those intended could result in a hazardous situation.
- **Keep handles and grasping surfaces dry, clean and free from oil and grease.** Slippery handles and grasping surfaces do not allow for safe handling and control of the tool in unexpected situations.

SERVICE

- **Have your power tool serviced by a qualified repair person using only identical replacement parts.** This will ensure that the safety of the power tool is maintained.

TABLE SAW SAFETY RULES

BLADE GUARD, RIVING KNIFE AND ANTI-KICKBACK PAWLS

- **Keep guards in place. Guards must be in working order and be properly mounted.** A guard that is loose, damaged, or is not functioning correctly must be repaired or replaced.
- **Always use saw blade guard, riving knife and anti-kickback pawls for every through-cutting operation.** For through-cutting operations where the saw blade cuts completely through the thickness of the workpiece, the guard and other safety devices help reduce the risk of injury.
- **Immediately reattach the guarding system after completing an operation (such as rabbeting, dadoing or resawing cuts) which requires removal of the guard, riving knife and/or anti-kickback pawls.** The guard, riving knife, and anti-kickback pawls help to reduce the risk of injury.
- **Make sure the saw blade is not contacting the guard, riving knife or the workpiece before the switch is turned on.** Inadvertent contact of these items with the saw blade could cause a hazardous condition.
- **Adjust the riving knife as described in the instruction manual.** Incorrect spacing, positioning and alignment can make the riving knife ineffective in reducing the likelihood of kickback.
- **For the riving knife and anti-kickback pawls to work, they must be engaged in the workpiece.** The riving knife and anti-kickback pawls are ineffective when cutting workpieces that are too short to be engaged with the riving knife and anti-kickback pawls. Under these conditions a kickback cannot be prevented by the riving knife and anti-kickback pawls.
- **Use the appropriate saw blade for the riving knife.** For the riving knife to function properly, the saw blade diameter must match the appropriate riving knife and the body of the saw blade must be thinner than the thickness of the riving knife and the cutting width of the saw blade must be wider than the thickness of the riving knife.

CUTTING PROCEDURES

- **DANGER: Never place your fingers or hands in the vicinity or in line with the saw blade.** A moment of inattention or a slip could direct your hand towards the saw blade and result in serious personal injury.
- **Feed the workpiece into the saw blade against the direction of rotation.** Feeding the workpiece in the same direction that the saw blade is rotating above the table may result in the workpiece, and your hand, being pulled into the saw blade.
- **Never use the miter gauge to feed the workpiece when ripping and do not use the rip fence as a length stop when cross cutting with the miter gauge.** Guiding the workpiece with the rip fence and the miter gauge at the same time increases the likelihood of saw blade binding and kickback.
- **When ripping, always apply the workpiece feeding force between the fence and the saw blade. Use a push stick when the distance between the fence and the saw blade is less than 150 mm, and use a push block when this distance is less than 50 mm.** “Work helping” devices will keep your hand at a safe distance from the saw blade.
- **Use only the push stick provided by the manufacturer or constructed in accordance with the instructions.** This push stick provides sufficient distance of the hand from the saw blade.
- **Never use a damaged or cut push stick.** A damaged push stick may break causing your hand to slip into the saw blade.
- **Do not perform any operation “freehand”. Always use either the rip fence or the miter gauge to position and guide the workpiece.** “Freehand” means using your hands to support or guide the workpiece, in lieu of a rip fence or miter gauge. Freehand sawing leads to misalignment, binding and kickback.
- **Never reach around or over a rotating saw blade.** Reaching for a workpiece may lead to accidental contact with the moving saw blade.

TABLE SAW SAFETY RULES

- **Provide auxiliary workpiece support to the rear and/or sides of the saw table for long and/or wide workpieces to keep them level.** A long and/or wide workpiece has a tendency to pivot on the table's edge, causing loss of control, saw blade binding and kickback.
- **Feed workpiece at an even pace. Do not bend or twist the workpiece. If jamming occurs, turn the tool off immediately, unplug the tool then clear the jam.** Jamming the saw blade by the workpiece can cause kickback or stall the motor.
- **Do not remove pieces of cut-off material while the saw is running.** The material may become trapped between the fence or inside the saw blade guard and the saw blade pulling your fingers into the saw blade. Turn the saw off and wait until the saw blade stops before removing material.
- **Use an auxiliary fence in contact with the table top when ripping workpieces less than 2 mm thick.** A thin workpiece may wedge under the rip fence and create a kickback.

KICKBACK

Kickback is a sudden reaction of the workpiece due to a pinched, jammed saw blade or misaligned line of cut in the workpiece with respect to the saw blade or when a part of the workpiece binds between the saw blade and the rip fence or other fixed object.

Most frequently during kickback, the workpiece is lifted from the table by the rear portion of the saw blade and is propelled towards the operator.

Kickback is the result of saw misuse and/or incorrect operating procedures or conditions and can be avoided by taking proper precautions as given below.

- **Never stand directly in line with the saw blade. Always position your body on the same side of the saw blade as the fence.** Kickback may propel the workpiece at high velocity towards anyone standing in front and in line with the saw blade.
- **Never reach over or in back of the saw blade to pull or to support the workpiece.** Accidental contact with the saw blade may occur or kickback may drag your fingers into the saw blade.
- **Never hold and press the workpiece that is being cut off against the rotating saw blade.** Pressing the workpiece being cut off against the saw blade will create a binding condition and kickback.
- **Align the fence to be parallel with the saw blade.** A misaligned fence will pinch the workpiece against the saw blade and create kickback.
- **Use a featherboard to guide the workpiece against the table and fence when making non-through cuts such as rabbeting, dadoing or resawing cuts.** A featherboard helps to control the workpiece in the event of a kickback.

- **Use extra caution when making a cut into blind areas of assembled workpieces.** The protruding saw blade may cut objects that can cause kickback.
- **Support large panels to minimize the risk of saw blade pinching and kickback.** Large panels tend to sag under their own weight. Support(s) must be placed under all portions of the panel overhanging the table top.
- **Use extra caution when cutting a workpiece that is twisted, knotted, warped or does not have a straight edge to guide it with a miter gauge or along the fence.** A warped, knotted, or twisted workpiece is unstable and causes misalignment of the kerf with the saw blade, binding and kickback.
- **Never cut more than one workpiece, stacked vertically or horizontally.** The saw blade could pick up one or more pieces and cause kickback.
- **When restarting the saw with the saw blade in the workpiece, centre the saw blade in the kerf so that the saw teeth are not engaged in the material.** If the saw blade binds, it may lift up the workpiece and cause kickback when the saw is restarted.
- **Keep saw blades clean, sharp, and with sufficient set. Never use warped saw blades or saw blades with cracked or broken teeth.** Sharp and properly set saw blades minimise binding, stalling and kickback.

TABLE SAW OPERATION

- **Turn off the table saw and disconnect the power cord when removing the throat plate, changing the saw blade or making adjustments to the riving knife, anti-kickback pawls or blade guard, and when the machine is left unattended.** Precautionary measures will avoid accidents.
- **Never leave the table saw running unattended. Turn it off and don't leave the tool until it comes to a complete stop.** An unattended running saw is an uncontrolled hazard.
- **Locate the table saw in a well-lit and level area where you can maintain good footing and balance. It should be installed in an area that provides enough room to easily handle the size of your workpiece.** Cramped, dark areas, and uneven slippery floors invite accidents.
- **Frequently clean and remove sawdust from under the saw table and/or the dust collection device.** Accumulated sawdust is combustible and may self-ignite.
- **The table saw must be secured.** A table saw that is not properly secured may move or tip over.
- **Remove tools, wood scraps, etc. from the table before the table saw is turned on.** Distraction or a potential jam can be dangerous.
- **Always use saw blades with correct size and shape (diamond versus round) of arbour holes.** Saw blades that do not match the mounting hardware of the saw will run off-centre, causing loss of control.

TABLE SAW SAFETY RULES




- **Never use damaged or incorrect saw blade mounting means such as flanges, saw blade washers, bolts or nuts.** These mounting means were specially designed for your saw, for safe operation and optimum performance.
- **Never stand on the table saw, do not use it as a stepping stool.** Serious injury could occur if the tool is tipped or if the cutting tool is accidentally contacted.
- **Make sure that the saw blade is installed to rotate in the proper direction. Do not use grinding wheels, wire brushes, or abrasive wheels on a table saw.** Improper saw blade installation or use of accessories not recommended may cause serious injury.

ADDITIONAL SAFETY RULES







- **Know your power tool.** Read the operator's manual carefully. Learn the saw's applications and limitations as well as the specific potential hazards related to this tool.
- **Make workshop childproof with padlocks and master switches, or by removing starter keys.**
- **Use the proper extension cord.** Make sure your extension cord is in good condition. Use only a cord heavy enough to carry the current your product will draw. An undersized cord will cause a drop in line voltage resulting in loss of power and overheating. A wire gauge size (A.W.G.) of at least **14** is recommended for an extension cord 25 feet or less in length. If in doubt, use the next heavier gauge. The smaller the gauge number, the heavier the cord.
- **Always wear eye protection with side shields marked to comply with ANSI Z87.1.** Failure to do so could result in objects being thrown into your eyes, resulting in possible serious injury.
- **Secure work.** Use clamps or a vise to hold work when practical. It's safer than using your hand and frees both hands to operate tool.
- **Use recommended accessories.** Consult the operator's manual for recommended accessories. The use of improper accessories may risk injury.
- **Use only correct blades.** Do not use blades with incorrect size holes. Never use blade washers or blade bolts that are defective or incorrect. The maximum blade capacity of your saw is 10 in. (254 mm).
- **Check damaged parts.** Before further use of the tool, a guard or other part that is damaged should be carefully checked to determine that it will operate properly and perform its intended function. Check for alignment of moving parts, binding of moving parts, breakage of parts, mounting and any other conditions that may affect its operation. A guard or other part that is damaged must be properly repaired or replaced by an authorized service center to avoid risk of personal injury.
- **Never leave tool running unattended. Turn the power off.** Don't leave tool until it comes to a complete stop.
- **Protect your lungs.** Wear a face or dust mask if the cutting operation is dusty.
- **Protect your hearing.** Wear hearing protection during extended periods of operation.
- **When operating a power tool outside, use an outdoor extension cord marked "W-A" or "W".** These cords are rated for outdoor use and reduce the risk of electric shock.
- **Always keep the blade guard and riving knife (splitter) in place and in working order.**
- **Keep hands away from cutting area.** Keep hands away from blades. Do not reach underneath work or around or over the blade while blade is rotating. Do not attempt to remove cut material when blade is moving.
- **Avoid awkward operations and hand positions where a sudden slip could cause your hand to move into the blade.**
- **Do not reach behind the blade with either hand from either side of the saw blade, to support the workpiece, remove wood scraps, or for any other reason while the blade is spinning.**
- **The table saw must be mounted to a firm supporting surface, such as a workbench or leg stand that positions the saw at waist height.** In addition, provide adequate support such as auxiliary tables, roller support tables, outfeed supports, etc. when cutting heavy, wide, or long . Heavy, wide, or long workpieces can tip if not securely supported. If the cut-off piece or workpiece tips, it can lift the blade guard or be thrown by the spinning blade.
- **If the workpiece or blade becomes jammed, turn the table saw off.** Wait for all moving parts to stop and disconnect the plug from the power source. Then work to free the jammed material. After the material is removed, verify that the blade is parallel to the miter gauge groove, and the riving knife and blade are aligned. If the jam occurred during a rip cut, verify that the rip fence is parallel to the blade. Adjust if necessary.

SYMBOLS

The following signal words and meanings are intended to explain the levels of risk associated with this product.

SYMBOL	SIGNAL	MEANING
	DANGER:	Indicates a hazardous situation, which, if not avoided, will result in death or serious injury.
	WARNING:	Indicates a hazardous situation, which, if not avoided, could result in death or serious injury.
	CAUTION:	Indicates a hazardous situation, that, if not avoided, may result in minor or moderate injury.
	NOTICE:	(Without Safety Alert Symbol) Indicates information considered important, but not related to a potential injury (e.g. messages relating to property damage).

Some of the following symbols may be used on this tool. Please study them and learn their meaning. Proper interpretation of these symbols will allow you to operate the tool better and safer.

SYMBOL	NAME	DESIGNATION/EXPLANATION
	Safety Alert	Indicates a potential personal injury hazard.
	Read Operator's Manual	To reduce the risk of injury, user must read and understand operator's manual before using this product.
	Eye Protection	Always wear eye protection with side shields marked to comply with ANSI Z87.1.
	No Hands Symbol	Failure to keep your hands away from the blade will result in serious personal injury.
	Wet Conditions Alert	Do not expose to rain or use in damp locations.
V	Volts	Voltage
A	Amperes	Current
Hz	Hertz	Frequency (cycles per second)
min	Minutes	Time
~	Alternating Current	Type of current
n_0	No Load Speed	Rotational speed, at no load
	Class II Construction	Double-insulated construction
.../min	Per Minute	Revolutions, strokes, surface speed, orbits, etc., per minute

ELECTRICAL

DOUBLE INSULATION

Double insulation is a concept in safety in electric power tools, which eliminates the need for the usual three-wire grounded power cord. All exposed metal parts are isolated from the internal metal motor components with protecting insulation. Double insulated tools do not need to be grounded.

⚠ WARNING:

The double insulated system is intended to protect the user from shock resulting from a break in the tool's internal wiring. Observe all normal safety precautions to avoid electrical shock.

NOTE: Servicing of a product with double insulation requires extreme care and knowledge of the system and should be performed only by a qualified service technician. For service, we suggest you return the tool to your nearest authorized service center for repair. Always use original factory replacement parts when servicing.

ELECTRICAL CONNECTION

This tool has a precision-built electric motor. It should be connected to a **power supply that is 120 V, AC only (normal household current), 60 Hz**. Do not operate this tool on direct current (DC). A substantial voltage drop will cause a loss of power and the motor will overheat. If the tool does not operate when plugged into an outlet, double check the power supply.

POLARIZED PLUGS

See Figure 1.

To reduce the risk of electric shock, this tool has a polarized plug (one blade is wider than the other). This plug will fit in a polarized outlet only one way. If the plug does not fit fully in the outlet, reverse the plug. If it still does not fit, contact a qualified electrician to install the proper outlet. Do not change the plug in any way.

EXTENSION CORDS

When using a power tool at a considerable distance from a power source, be sure to use an extension cord that has the capacity to handle the current the product will draw. An undersized cord will cause a drop in line voltage, resulting in overheating and loss of power. Use the chart to determine the minimum wire size required in an extension cord. Only round jacketed cords listed by Underwriter's Laboratories (UL) should be used.

When working outdoors with a product, use an extension cord that is designed for outside use. This type of cord is designated with "WA" or "W" on the cord's jacket.

Before using any extension cord, inspect it for loose or exposed wires and cut or worn insulation.

**Ampere rating (on tool faceplate)

Cord Length	Wire Size (A.W.G.)					
	0-2.0	2.1-3.4	3.5-5.0	5.1-7.0	7.1-12.0	12.1-16.0
25'	16	16	16	16	14	14
50'	16	16	16	14	14	12
100'	16	16	14	12	10	—

**Used on 12 gauge - 20 amp circuit.

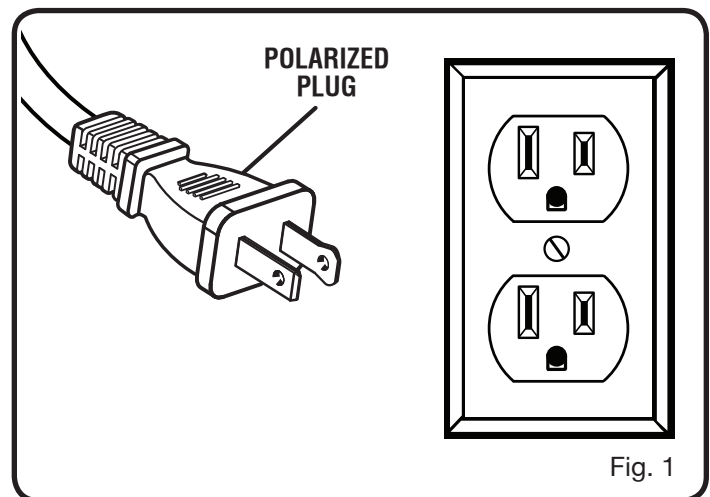
NOTE: AWG = American Wire Gauge

⚠ WARNING:

Keep the extension cord clear of the working area. Position the cord so that it will not get caught on lumber, tools or other obstructions while you are working with a power tool. Failure to do so can result in serious personal injury.

⚠ WARNING:

Check extension cords before each use. If damaged replace immediately. Never use product with a damaged cord since touching the damaged area could cause electrical shock resulting in serious injury.



GLOSSARY OF TERMS

Anti-Kickback Pawls (radial arm and table saws)

A device which, when properly installed and maintained, is designed to stop the workpiece from being kicked back toward the front of the saw during a ripping operation.

Arbor

The shaft on which a blade or cutting tool is mounted.

Bevel Cut

A cutting operation made with the blade at any angle other than 90° to the table surface.

Chamfer

A cut removing a wedge from a block so the end (or part of the end) is angled rather than at 90°.

Compound Cut

A cross cut made with both a miter and a bevel angle.

Cross Cut

A cutting or shaping operation made across the grain or the width of the workpiece.

Cutter Head (planers and jointer planers)

A rotating cutterhead with adjustable blades or knives. The blades or knives remove material from the workpiece.

Dado Cut (table saws and compound sliding miter saws)

A non-through cut which produces a square, three-sided notch or trough in the workpiece.

Featherboard (table saws)

A device used to help control the workpiece by guiding it securely against the table or fence during any ripping operation.

FPM or SPM

Feet per minute (or strokes per minute), used in reference to blade movement.

Freehand

Performing a cut without the workpiece being guided by a fence, miter fence, or other aids.

Gum

A sticky, sap-based residue from wood products.

Heel

Alignment of the blade to the miter gauge groove.

Kerf

The material removed by the blade in a through cut or the slot produced by the blade in a non-through or partial cut.

Kickback

A hazard that can occur when the blade binds or stalls, throwing the workpiece in the direction of the spinning blade.

Miter Cut

A cutting operation made with the workpiece at any angle to the blade other than 90°.

Non-Through Cuts (table saws and compound sliding miter saws)

Any cutting operation where the blade does not extend completely through the thickness of the workpiece. This is a cut where the blade will not cut the workpiece into two pieces.

Pilot Hole (drill presses and scroll saws)

A small hole drilled in a workpiece that serves as a guide for drilling large holes accurately or for insertion of a scroll saw blade.

Push Blocks (jointer planers)

Device used to feed the workpiece over the jointer planer cutterhead during any operation. This aid helps keep the operator's hands well away from the cutterhead.

Push Blocks and Push Sticks (table saws)

Devices used to feed the workpiece through the saw blade during cutting operations. When making a narrow rip cut without a jig or similar cutting aid, always use a push stick (not a push block). A push block can be used for narrow ripping operations, if a jig or similar cutting aid is used. These aids help keep the operator's hands well away from the blade.

Rabbet

A non-through cut positioned on the end or edge of the workpiece which produces a square, two-sided notch or trough in the workpiece.

Resaw (table saws and band saws)

A cutting operation to reduce the thickness of the workpiece to make thinner pieces.

Resin

A sticky, sap-based substance that has hardened.

Revolutions Per Minute (RPM)

The number of turns completed by a spinning object in one minute.

Ripping or Rip Cut (table saws)

A cutting operation along the length of the workpiece and typically in the direction of the grain.

Living Knife/Spreader/Splitter (table saws)

A metal piece, slightly thinner than the blade, which helps keep the kerf open and also helps to prevent kickback.

Saw Blade Path

The area over, under, behind, or in front of the blade. As it applies to the workpiece, that area which will be or has been cut by the blade.

Snipe (planers)

Depression made at either end of a workpiece by cutter blades when the workpiece is not properly supported.

Taper Cut

A cut where the material being cut has a different width at the beginning of the cut from the end.

Through Sawing

Any cutting operation where the blade extends completely through the thickness of the workpiece. This type of cut will separate a single workpiece into two pieces.

Workpiece or Material

The item on which the operation is being done.

Worktable

Surface where the workpiece rests while performing a cutting, drilling, planing, or sanding operation.

FEATURES

PRODUCT SPECIFICATIONS

Blade Arbor	5/8 in.	Input	15 Amps
Blade Diameter	10 in.	No Load Speed	4,700/min (RPM)
Blade Tilt	0° - 45°	Cutting Depth at 0°	3 in.
Dado Capacity	1/2 in.	Cutting Depth at 45°	2-1/2 in.
Rating	120 V, AC only, 60 Hz		

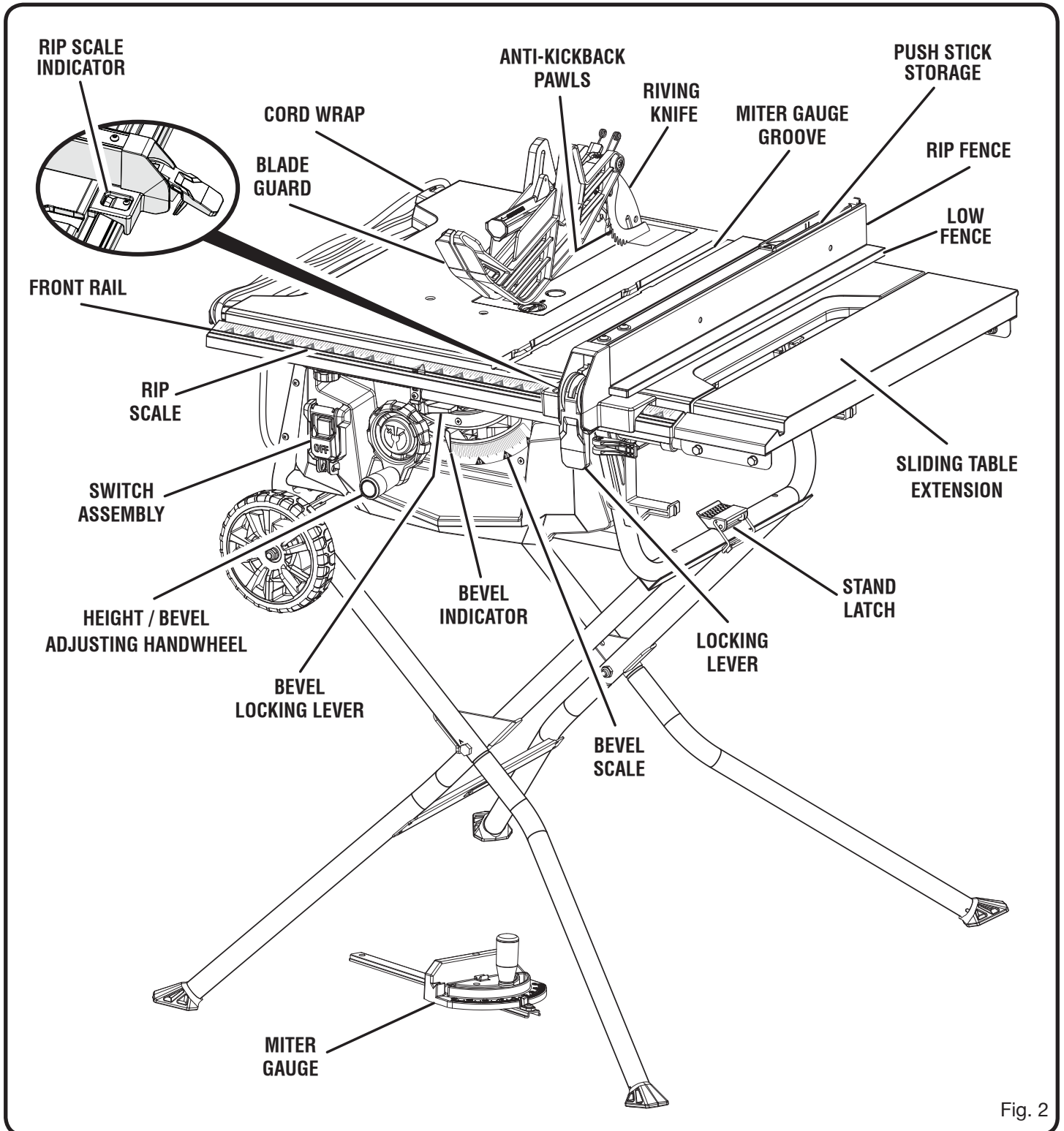


Fig. 2

FEATURES

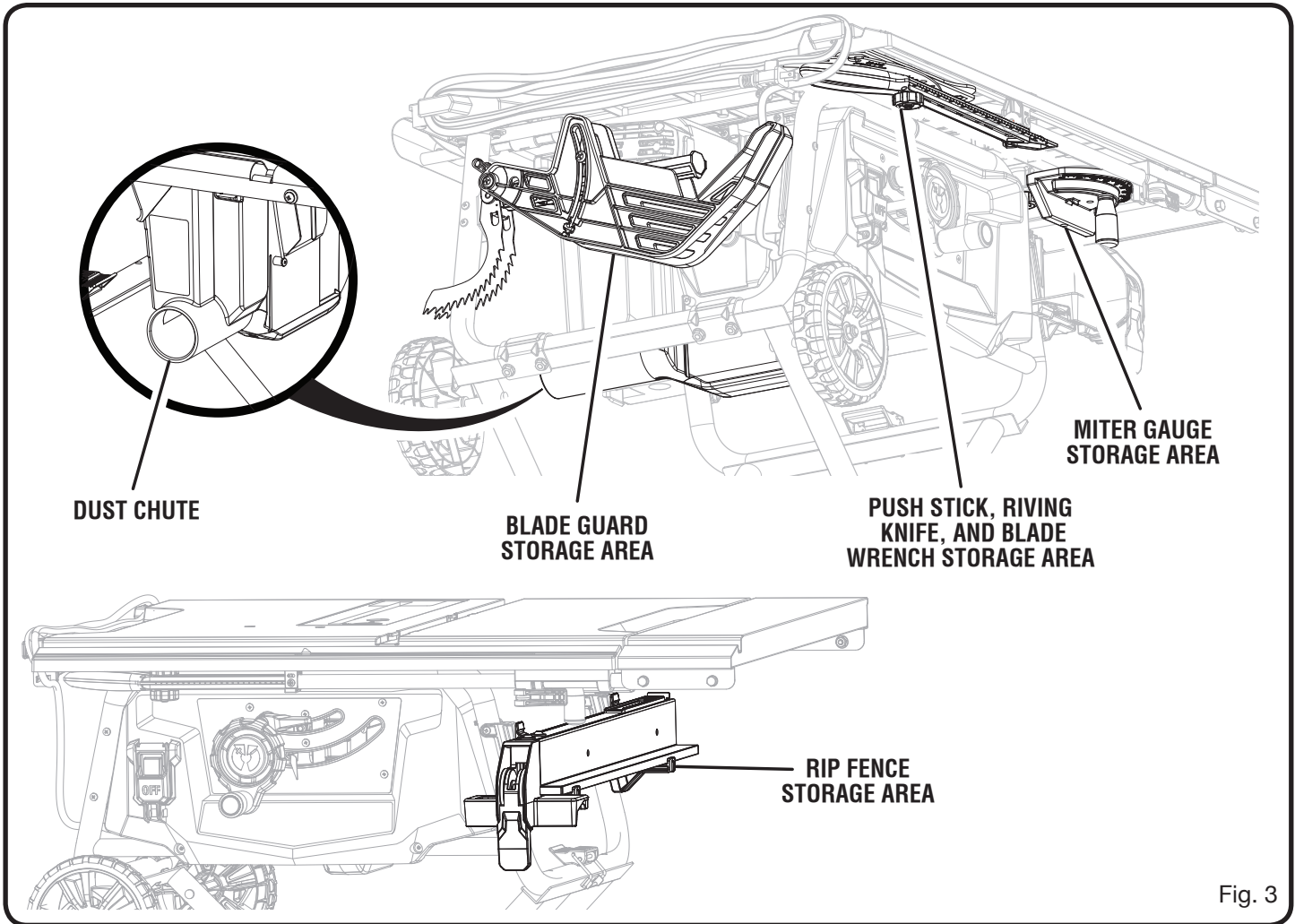


Fig. 3

KNOW YOUR TABLE SAW

See Figure 2 - 3.

The safe use of this product requires an understanding of the information on the tool and in this operator's manual as well as a knowledge of the project you are attempting. Before use of this product, familiarize yourself with all operating features and safety rules.

ACCESSORY STORAGE - Convenient storage areas for the push stick, riving knife, wrenches, blade guard, miter gauge, and rip fence are located underneath the saw table.

ANTI-KICKBACK PAWLS - Kickback is a hazard in which the workpiece is thrown back toward the operator. The teeth on the anti-kickback pawls point away from the workpiece. If the workpiece should be pulled back toward the operator, the teeth dig into the wood to help prevent or reduce the possibility of kickback. The anti-kickback pawls may be bypassed.

BEVEL LOCKING LEVER - This lever, located just under the saw table surface on the front of the saw, locks the angle setting of the blade.

BEVEL SCALE - The easy-to-read scale on the front of the saw shows the exact blade angle.

BLADE - For maximum performance, it is recommended that you use the 10 in. carbide tipped combination blade provided with the saw. The blade is raised and lowered with the height/bevel adjusting handwheel. Bevel angles are locked with the bevel locking lever. Additional blade styles of the same high quality are available for specific operations such as ripping. Your local dealer can provide you with complete information. Blade kerf width must be within the limits stamped on the riving knife.

⚠ WARNING:

Do not use blades rated less than the speed of this tool. Failure to heed this warning could result in personal injury.

BLADE GUARD - Always keep the removable blade guard down over the saw blade for through-sawing cuts.

DUST CHUTE - The built-in dust chute makes it easy to dispose of sawdust. A vacuum hose may be attached to the dust chute.

ELECTRIC BRAKE - An electric brake has been provided to stop blade rotation after the saw is turned off.

FEATURES

HEIGHT/BEVEL ADJUSTING HANDWHEEL - Located on the front of the saw, use this handwheel to lower and raise the blade for height adjustments or blade replacement. This handwheel also makes the adjustment for bevel angles easy.

MITER GAUGE - The miter gauge aligns the wood for a cross cut. The easy-to-read indicator shows the exact angle for a miter cut.

MITER GAUGE GROOVE - The miter gauge rides in the groove on the saw table.

OUTFEED SUPPORT - This table extension at the back of the tool gives the operator additional support when cutting long workpieces.

RIP FENCE - A sturdy metal fence guides the workpiece and is secured with the locking handle. Push stick storage is located on the rip fence.

NOTE: Do not place the rip fence on the left side of the blade when cutting material greater than 3/4 inches thick.

RIP SCALE - Located on the front rail, the easy-to-read rip scale provides precise measurements for rip cuts.

RIVING KNIFE - A removable metal piece of the blade guard assembly, slightly thinner than the saw blade, which helps keep the kerf open and prevent kickback. When in the through sawing, or “up” position, it is higher than the saw blade. When in the non-through sawing, or “down” position, it is below the saw blade teeth.

SLIDING TABLE EXTENSION - Located on the right side of the saw table, this table extension gives the operator additional support when cutting wide workpieces.

SWITCH ASSEMBLY - This saw has an easy access switch assembly located below the front rail. To lock the switch, install a padlock (not included) through the holes in the switch and cover. Make certain the switch is inoperable. If the switch is still operable with the padlock installed, a padlock with a larger shackle diameter must be used. Store the padlock key in another location.

OPERATING COMPONENTS

The upper portion of the blade projects up through the table and is surrounded by an insert called the throat plate. The height of the blade is set with a handwheel on the front of the saw. Detailed instructions are provided in the *Operation* section of this manual for the basic cuts: cross cuts, miter cuts, bevel cuts, and compound cuts.

The rip fence is used to position work for lengthwise cuts. A scale on the front rail shows the distance between the rip fence and the blade.

It is very important to use the blade guard assembly for all through-sawing operations. The blade guard assembly includes: riving knife and blade guard with anti-kickback pawls.

SWITCH ASSEMBLY

See Figure 4.

This saw is equipped with an on/off switch that has a built-in locking feature. This feature is intended to prevent unauthorized and possible hazardous use by children and others.

NOTE: The switch cover does not have to be raised to operate the switch.

TO TURN THE SAW ON:

- Press the top button on the switch to turn the saw on.

NOTE: If AC power is disconnected or interrupted while the saw is running, the saw will turn off. To restart the saw, restore AC power and press the top of the switch.

TO TURN THE SAW OFF:

- Press the bottom button on the switch to turn the saw off.

TO LOCK THE SAW:

- With the saw turned off, install a padlock (not included) through the holes in the switch and switch cover.

⚠ WARNING:

ALWAYS make sure your workpiece is not in contact with the blade before operating the switch to start the tool. Failure to heed this warning may cause the workpiece to be kicked back toward the operator and result in serious personal injury.

⚠ WARNING:

To reduce the risk of accidental starting, always make sure the top button on the switch is not depressed before plugging tool into the power source.

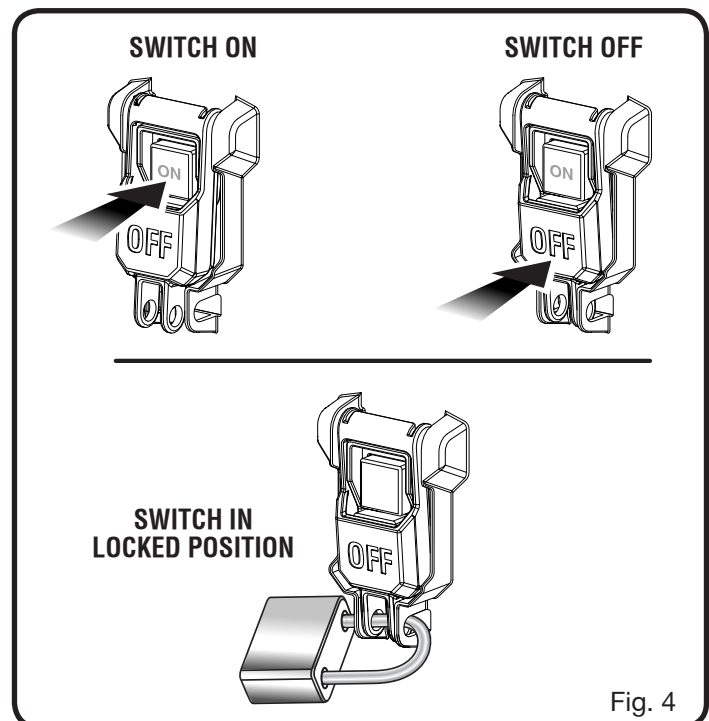


Fig. 4

TOOLS NEEDED

The following tools (not included or drawn to scale) are needed for assembly and making adjustments:

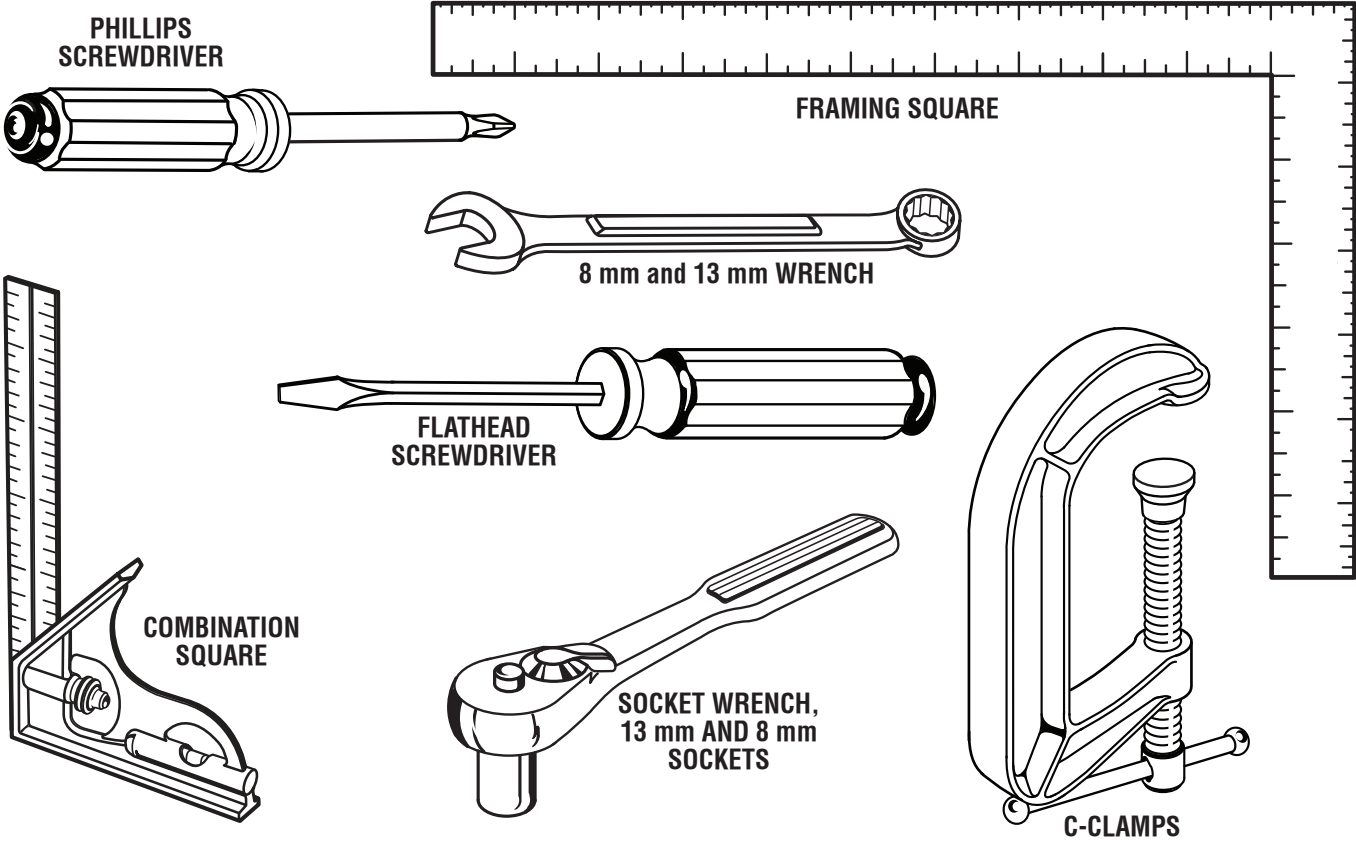


Fig. 5

LOOSE PARTS

The following items are included with your table saw:

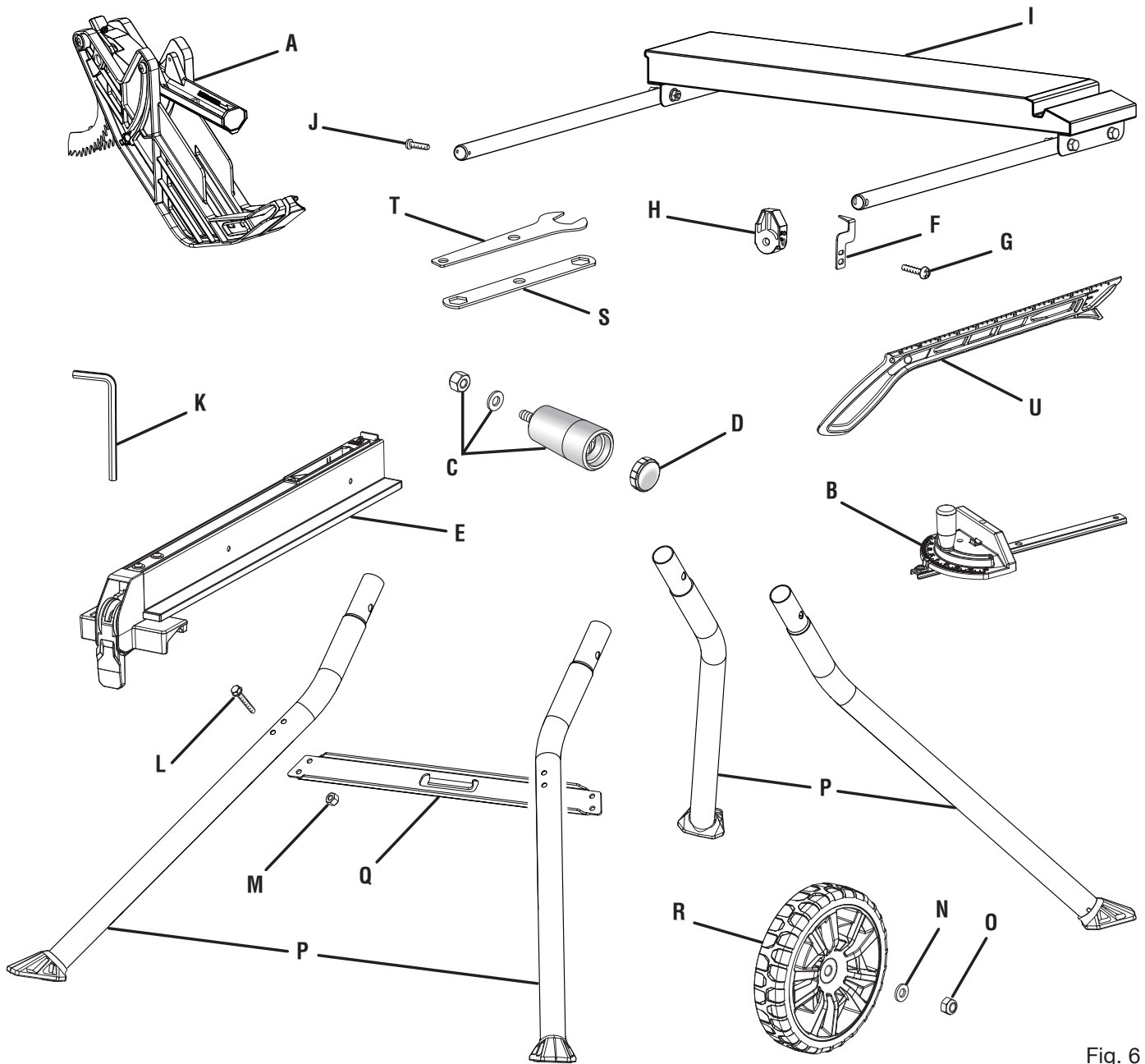


Fig. 6

A. Blade Guard with Anti-Kickback Pawls	1	L. Bolt (M5 x 35 mm).....	4
B. Miter Gauge	1	M. Lock Nut (M5)	4
C. Handle Assembly	1	N. Washer (OD16 x ID8 x 2t)	4
D. Handle End Cap.....	1	O. Lock Nut (M8)	4
E. Rip Fence.....	1	P. Stand Leg	4
F. Indicator.....	1	Q. Crosspiece.....	1
G. Screw (M4 x 25 mm, Truss Hd.).....	1	R. Wheel	2
H. Rip Indicator End Cap	1	S. Closed End Blade Wrench.....	1
I. Sliding Table Assembly.....	1	T. Open End Blade Wrench	1
J. Stop Screw	1	U. Push Stick.....	1
K. Hex Key (5 mm)	1		

ASSEMBLY

UNPACKING

This product requires assembly.

- Carefully lift saw from the carton and place it on a level work surface.

NOTE: This tool is heavy. To avoid back injury, keep your knees bent and lift with your legs, not your back, and get help when needed.

WARNING:

Do not use this product if any parts on the *Loose Parts* list are already assembled to your product when you unpack it. Parts on this list are not assembled to the product by the manufacturer and require customer installation. Use of a product that may have been improperly assembled could result in serious personal injury.

- Inspect the tool carefully to make sure no breakage or damage occurred during shipping.
- Do not discard the packing material until you have carefully inspected the tool, identified all loose parts, and satisfactorily operated the tool.

NOTE: Remove the foam block from between the saw's table and the motor by first beveling the blade, refer to **To Change Blade Angle (Bevel)** in the *Operation* section of this manual.

- The saw is factory set for accurate cutting. After assembling it, check for accuracy. If shipping has influenced the settings, refer to specific procedures explained in this manual.
- If any parts are damaged or missing, please call 1-800-525-2579 for assistance.

WARNING:

If any parts are damaged or missing, do not operate this tool until the parts are replaced. Use of this with damaged or missing parts could result in serious personal injury.

WARNING:

Do not attempt to modify this tool or create accessories not recommended for use with this tool. Any such alteration or modification is misuse and could result in a hazardous condition leading to possible serious personal injury.

WARNING:

Do not connect to power supply until assembly is complete. Failure to comply could result in accidental starting and possible serious personal injury.

WARNING:

Do not lift the saw without help. Hold it close to your body. Keep your knees bent and lift with your legs, not your back. Ignoring these precautions can result in back injury.

WARNING:

Never stand directly in line with the blade or allow hands to come closer than 3 in. to the blade. Do not reach over or across the blade. Failure to heed this warning can result in serious personal injury.

WARNING:

To avoid serious personal injury, always make sure the table saw is securely mounted to a workbench or an approved leg stand. NEVER operate the saw on the floor.

MOUNTING HOLES

The table saw must be mounted to a firm supporting surface such as a workbench or leg stand. Four bolt holes have been provided in the saw's frame for this purpose.

To mount the saw to a work bench, insert bolts that are of sufficient length to accommodate the saw base, lock washers, hex nuts, and the thickness of the workbench or other mounting surface. Tighten all bolts or screws securely. Carefully check the workbench after mounting to make sure that no movement can occur during use. If any tipping, sliding, or walking is noted, secure the workbench to the floor before operating.

To mount the saw to the leg stand, refer to specific procedures explained later in this section.

ASSEMBLY

UNFOLDING THE STAND SUPPORTS

See Figure 7.

NOTE: Do not use this leg stand with other equipment or for other purposes.

NOTE: During shipping, the foam block between the saw's housing and motor holds the stand leg bolts in place. Remove the foam block before assembling the stand, making sure the bolts remain in place.

- Place the saw on a flat surface with the underside of the saw facing up.
- Cut the zip tie that holds the support brackets together.
- Fold out the stand. Use the latch to secure the free end of the support bracket to the frame of the saw.

INSTALLING STAND LEGS

See Figure 8 - 9.

Many of the leg stand parts are movable. All hardware must be tightened securely but not so tight that the leg stand won't open and close. For easier assembly, match letter to letter, then install hardware.

Locate the following parts:

Stand leg.....	4
Lock Nut (M8)	2

- Assemble each side separately. Install all legs with feet pointing outward.
- Carefully remove the bolt from the support bracket while holding the pivot plate in place. Set the bolt aside.
- Locate one of the legs with two holes drilled into it. Insert the leg into the inner stand support bracket tube.

NOTE: The two holes are for installing the crosspiece.

- Align the hardware holes of the inner and outer support brackets and pivot plate. Insert the bolt through all pieces and secure with a lock nut. Tighten the nut using a 13 mm wrench. Then loosen nut slightly to allow legs to pivot freely.

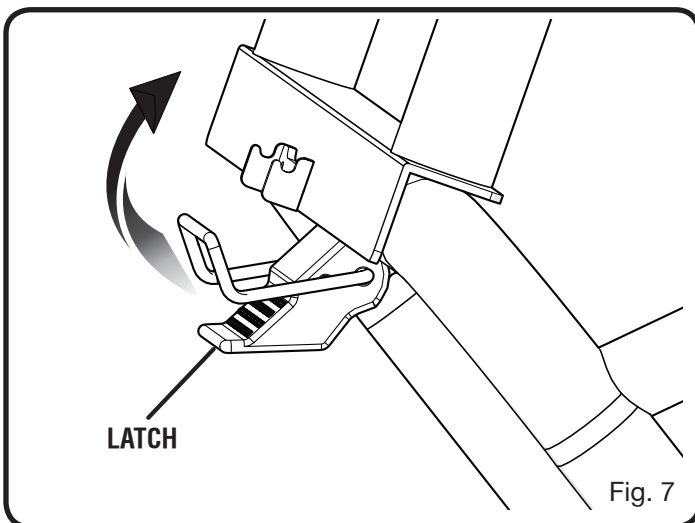


Fig. 7

NOTE: Do not overtighten as this will not allow the stand to move freely.

- To repeat on the other side, remove the bolt. Insert the leg with two holes into the inner stand support bracket. Insert the adjustment foot into the outer support bracket.

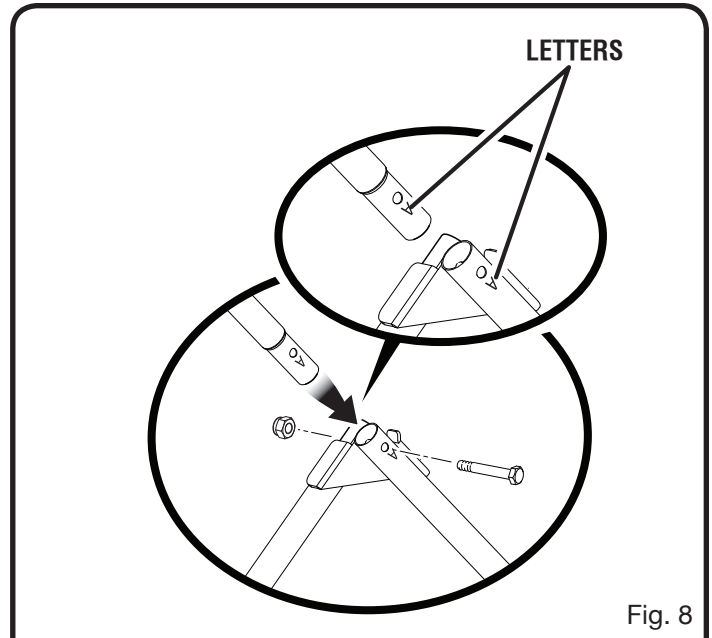


Fig. 8

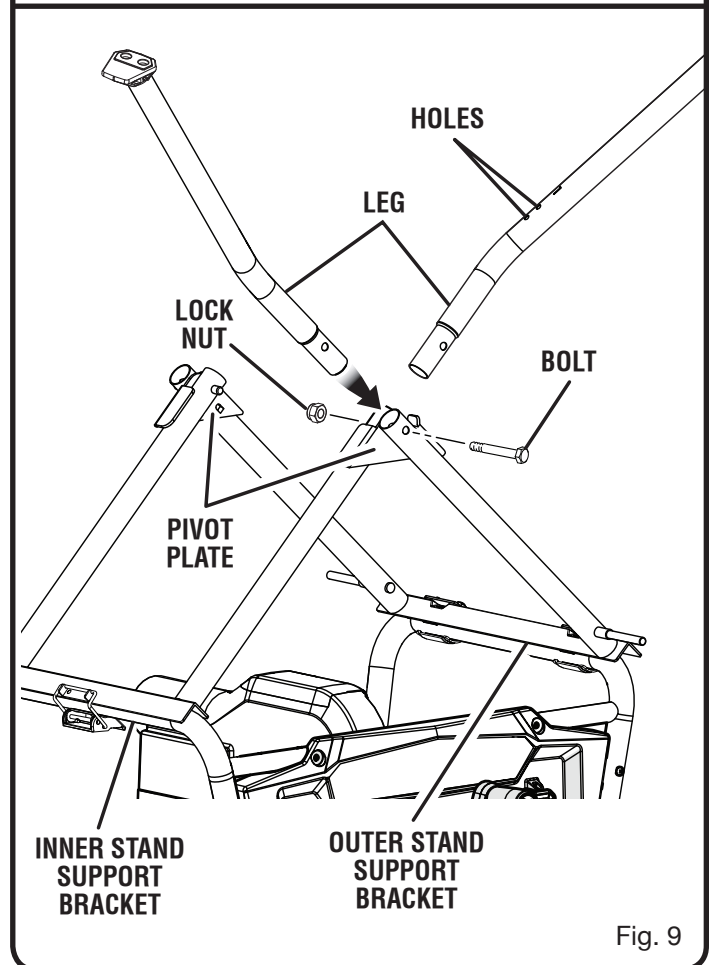


Fig. 9

ASSEMBLY

INSTALLING THE CROSSPIECE

See Figure 10.

Locate the following parts:

Lock Nut (M5)	4
Bolt (M5 x 35 mm)	4
Crosspiece.....	1

- Place the crosspiece in position as shown, aligning the holes in the crosspiece with the holes in the lower part of the stand.
- Slide each of the four bolts through the holes in the crosspiece and the holes in the legs.
- Place a lock nut over each bolt. Securely tighten the nut using an 8 mm wrench and socket.

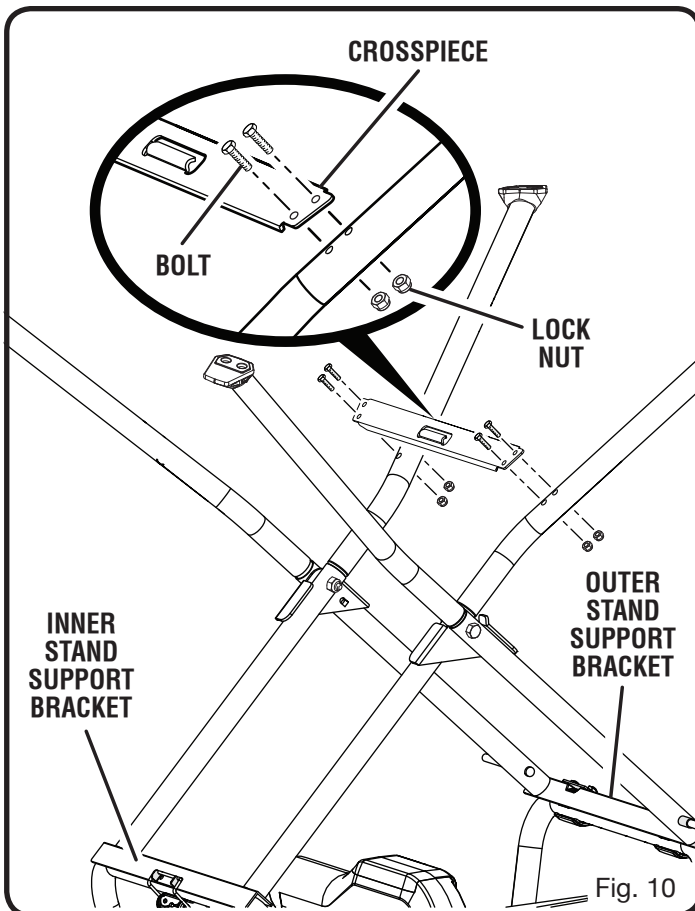
INSTALLING WHEELS ONTO THE STAND

See Figure 11.

Locate the following parts:

Wheel	2
Washer (OD16 x ID8 x 2t).....	4
Lock Nut (M8).....	2

- Slide a washer, a wheel, and another washer onto each axle.
- Thread a lock nut onto the axle and securely tighten, using a 13 mm wrench.



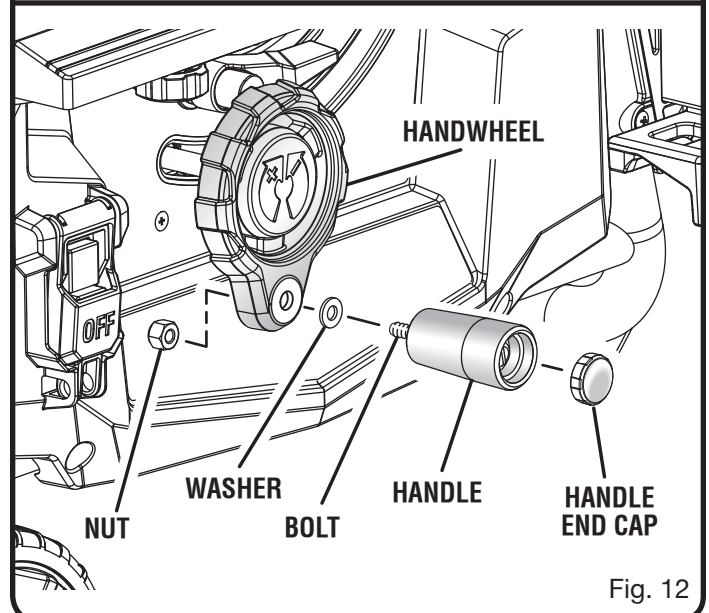
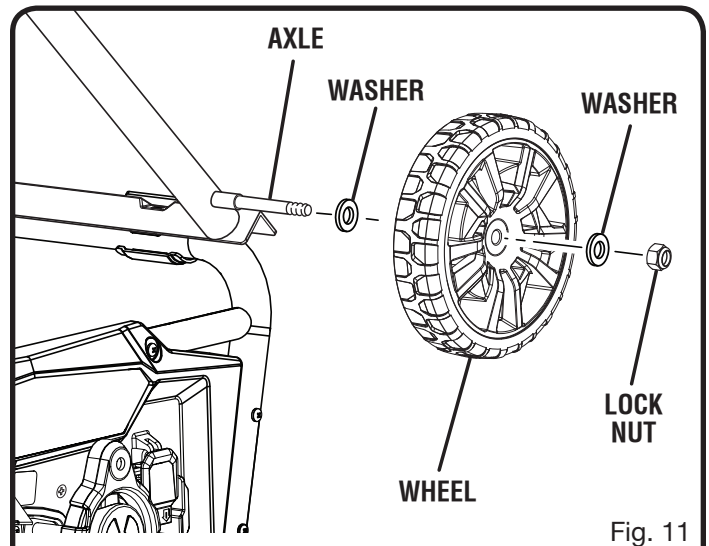
INSTALLING THE HANDLE ASSEMBLY

See Figure 12.

Locate the following parts:

Handle Assembly	1
Handle End Cap.....	1

- Remove the hex nut from the bolt in the handle but do not remove the bolt or washer.
- Place the hex nut into the recessed hole on the back of the height/bevel adjusting handwheel and hold in place.
- Insert the handle, bolt, and washer into the hole on the height/bevel adjusting handwheel.
- Using a flathead screwdriver, turn the bolt clockwise and tighten in place.
- Cover the end of the handle with the cap.



ASSEMBLY

INSTALLING THE SLIDING TABLE EXTENSION

See Figures 13 - 14.

Locate the following parts:

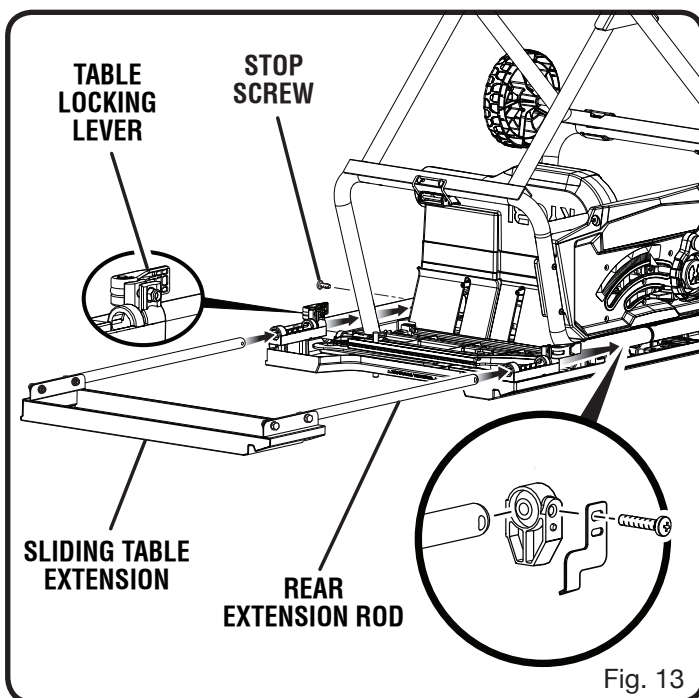
Sliding Table Extension.....	1
Stop Screw	1
Screw (M4 x 25 mm, Truss Hd.).....	1
Indicator.....	1
Rip Indicator End Cap	1
Handle End Cap.....	1

To install sliding table extension:

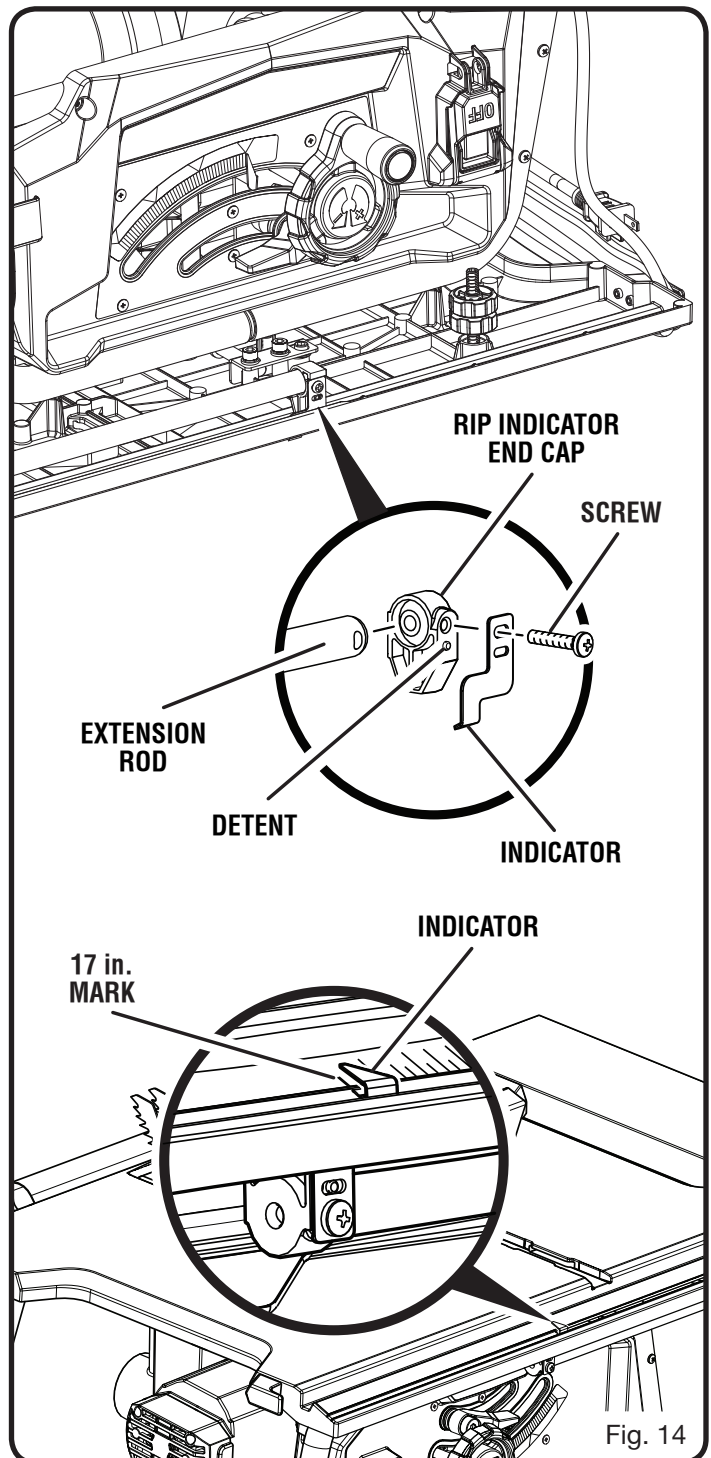
- Unlock the front and back table locking levers on the sliding table extension.
- Insert sliding table extension into table locking levers.
- Push the sliding table extension until it rests against the saw table and is completely closed.
- Install the stop screw into hole on the bottom of the rear extension rod to hold sliding table extension into locking levers.
- Lock the front and back table locking levers.

To install indicator:

- Press the end cap over the front extension rod (see figure 14).
- Slip the indicator thru the slot in the front rail of the table and into the rip indicator end cap.
- Fit the top slot in the indicator over the detent on the end plug and the bottom slot over the screw hole on the end cap.



- Insert a screw into the bottom slot of the indicator, the hole in the end cap and the extension rod.
- Align the indicator to the 17 in. mark. Tighten securely, but do not overtighten. Overtightening may crush extension rod ends.



ASSEMBLY

TO OPEN/CLOSE (SET-UP/TEAR DOWN) THE LEG STAND

See Figure 15.

NOTE: Use the cord wrap on the end of the saw to keep the cord out of the way when setting up or tearing down the saw.

To open (set-up) the leg stand:

- **Step 1:** Stand the saw on the wheeled end. Open the latch and unhook it from the crosspiece. Lay the leg sections flat.
- **Step 2:** Grasp the inner stand support bracket and lift it until it meets the saw frame. Hook the latch over the inner stand support bracket and push down until the latch locks.

- **Step 3:** Make sure the table extension is in the locked position. Set your right foot against the saw leg to steady it while you push downward on the top leg and lift the saw frame to set the saw upright.

To close (tear down) the leg stand:

- **Step 1:** Standing to the side of the table saw, place your foot against the foot of the saw. Hold the saw table and grasp the upper saw leg. Make sure the table extension is in the locked position. Tilt the saw to your left and lower the saw to the floor until it is balanced on end.
- **Step 2:** Open and release the latch. Allow both leg sections to lie flat.
- **Step 3:** Grasp the crosspiece and lift both leg sections so that the crosspiece meets the latch. Hook the latch into the crosspiece and push the latch back until it locks.

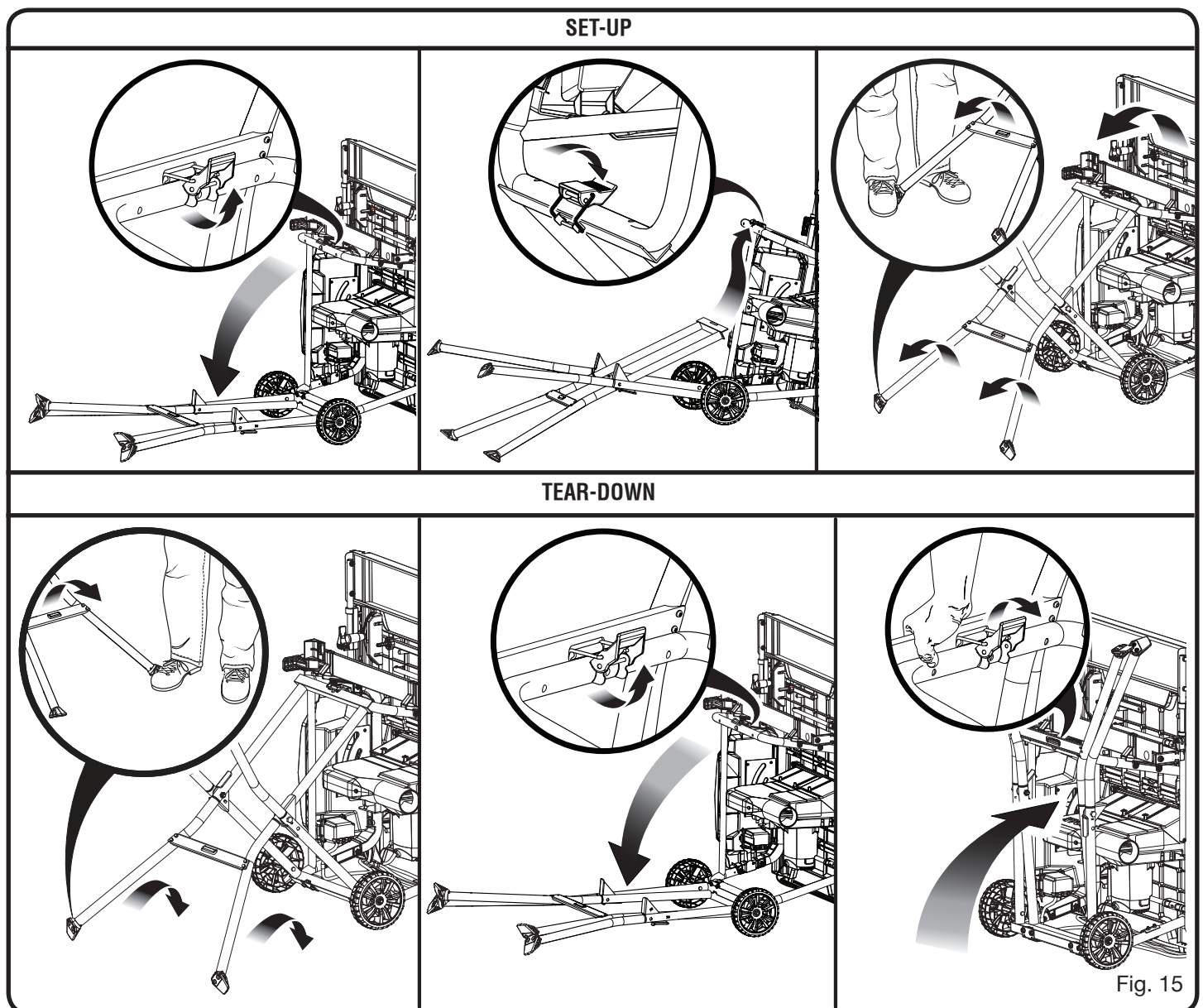


Fig. 15

ASSEMBLY

REMOVING/REINSTALLING THE THROAT PLATE

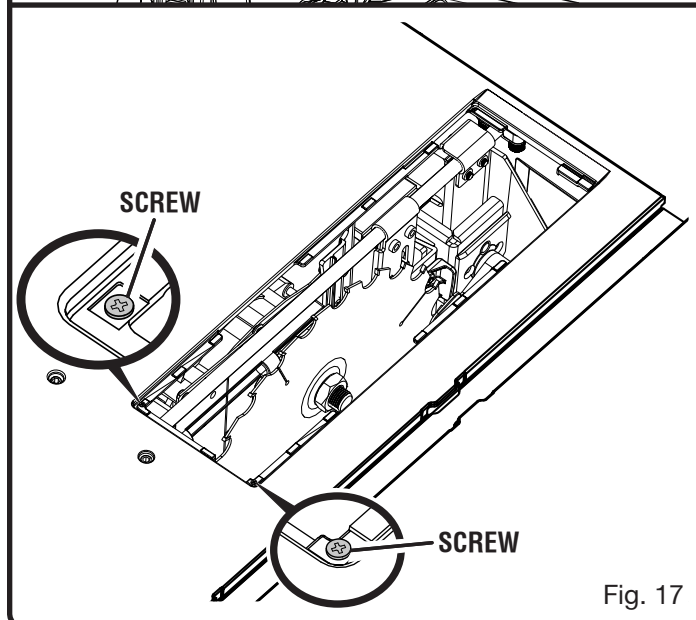
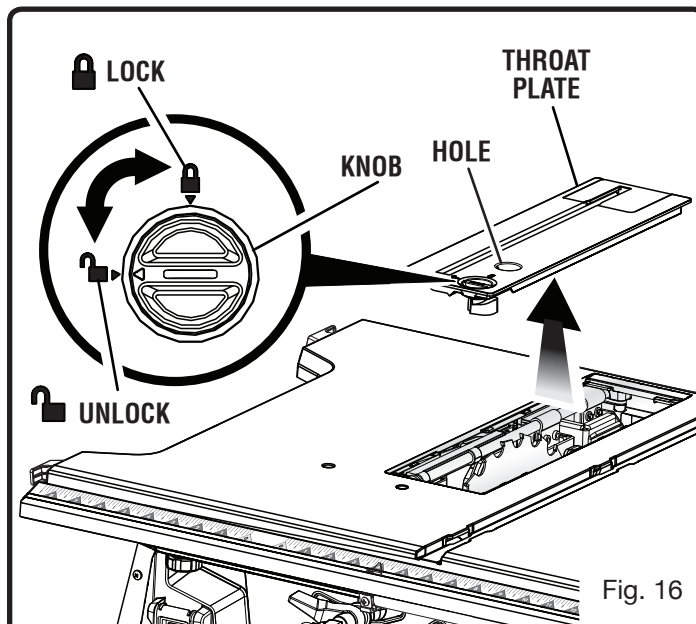
See Figure 16 - 17.

⚠ WARNING:

If the throat plate is too high or too low, the workpiece can catch on the uneven edges resulting in binding or kickback which could result in serious personal injury. Verify the throat plate is correctly seated. Before turning on the saw, perform a dry run of the cutting operation to make sure that no problems will occur when the cut is made. If the workpiece catches, do not attempt to use the saw. Contact customer service for assistance.

- Lower the blade by turning the height/bevel adjusting handwheel counterclockwise.
- To remove the throat plate, rotate the knob to the unlocked position. Place your index finger into the hole, lift and pull the throat plate out toward the front of the saw.
- To reinstall the throat plate, rotate the knob to the unlocked position. Place throat plate back onto the saw and rotate the knob to the locked position.

NOTE: The throat plate may move up and down over time. If necessary, use a Phillips screwdriver to adjust the screws located under the throat plate until it is level with the saw table.



ASSEMBLY

CHANGING RIVING KNIFE POSITIONS

See Figure 18.

This saw is shipped with a riving knife that should be placed in the “down” position for non-through cutting and must be placed in the “up” position for all other cutting operations.

CAUTION:

Use caution when reaching inside the throat in the saw table. Blade contact, even when the blade is still, may result in injury to hands or arms.

- Unplug the saw.

To place in the “up” position for all through cutting:

- Remove the throat plate.
- Raise the saw blade by turning the height/bevel adjusting handwheel clockwise.
- Unlock the release lever by pulling it up.
- Grasp the riving knife and pull it towards the right side of the saw to release the riving knife from the spring-loaded riving clamp.
- Pull the riving knife up until the internal pins are engaged and the riving knife is above the saw blade.
- Lock the release lever by pushing the lever down.

WARNING:

Make sure the release lever is fully seated. If the release lever is difficult to lock, thoroughly clean lever components using compressed air or a clean soft cloth as described in the **Cleaning the Riving Knife Lock Lever Plates** section in *Maintenance*. Failure to completely lock the release lever can allow the riving knife to change position during saw use, which could result in serious personal injury.

- Reinstall the throat plate.

To place in the “down” position for all non-through cutting:

- Remove the throat plate.
- Raise the saw blade by turning the height/bevel adjusting handwheel clockwise.
- Unlock the release lever by pulling it up.

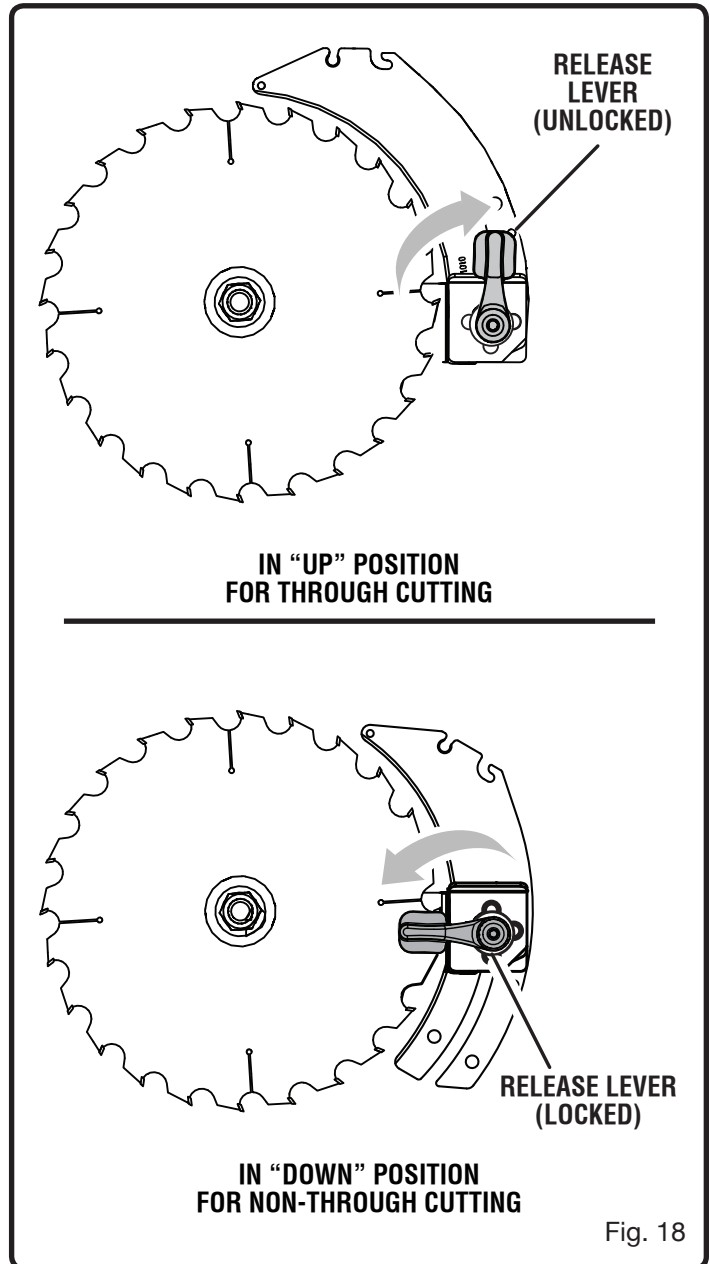


Fig. 18

- Grasp the riving knife and pull it towards the right side of the saw to release the riving knife from the spring-loaded riving clamp.
- Push the riving knife down until it is below the saw blade.
- Lock the release lever by pushing the lever down.
- Reinstall the throat plate.

ASSEMBLY

CHECKING SAW BLADE INSTALLATION

See Figure 19.

NOTICE:

To work properly, the saw blade teeth must point down toward the front of the saw. Failure to heed this warning could cause damage to the saw blade, the saw, or the workpiece.

- Unplug the saw.
- Remove the blade wrench from the blade wrench storage area.
- Lower the saw blade and remove the throat plate.
- Raise the saw blade to its full height by turning the height/bevel adjusting handwheel clockwise.
- Make sure the bevel locking lever is locked. (See figure 38.)
- Place riving knife in the “up” position.

To loosen the blade:

- Place the flat open end of the open end blade wrench on the flats on the arbor shaft.
- Insert the closed end blade wrench over the blade nut. Holding both wrenches firmly, pull the closed end wrench forward to the front of the machine.

NOTE: Arbor shaft has right-hand threads.

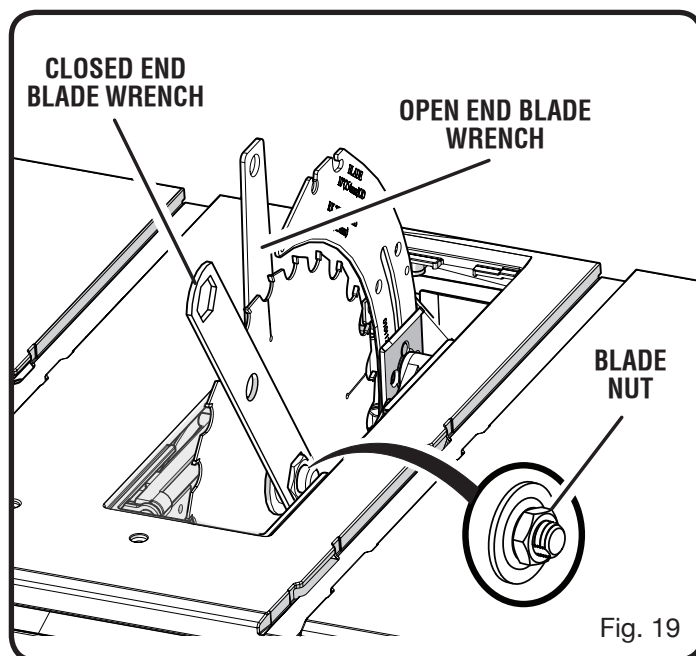
To tighten the blade:

- Place the flat open end of the open end blade wrench on the flats on the arbor shaft.
- Insert the closed end blade wrench over the blade nut. Holding both wrenches firmly, push the closed end wrench to the back of the machine. Make sure the blade nut is securely tightened. Do not overtighten.

NOTE: Arbor shaft has right-hand threads.

- Reinstall the throat plate.
- Check all clearances for free blade rotation.

After installation, adjust the rip scale indicator to account for the kerf and thickness of the blade. Refer to **To Set the Rip Fence Scale Indicator to the Blade** in the *Operation* section of this manual. In cutting operations, the scale will be set to the side of the blade where the cut will be measured and made.



ASSEMBLY

INSTALLING THE BLADE GUARD

See Figures 20 - 21.

⚠ WARNING:

Always install the blade guard onto the riving knife in the “up” position to provide proper blade coverage. Installing the guarding components onto the riving knife in any other position will prevent them from working as designed, which could increase the risk of serious personal injury.

⚠ WARNING:

Replace the blade guard if the anti-kickback pawls are dull or damaged. Dull or damaged pawls may not stop a kickback increasing the risk of serious personal injury.

Anti-kickback pawls are part of the blade guard for this saw. They should only be used for through cuts. When not needed, they may be positioned to be out of the way.

- Unplug the saw.
- Raise the saw blade by turning the height/bevel adjusting handwheel clockwise.
- Place riving knife in “up” position.
- Reinstall the throat plate.

To install blade guard:

- Lift the guard lever up to unlock.
- With the front of the blade guard raised, lower the back of the guard into the riving knife in the position shown. Push the front of the guard down until the bar inside the guard is **parallel to the table** (see figure 20). If the bar is not parallel to the table, the riving knife is not in the “up” position.
- Lock the guard in place by pushing the guard lever down.
- The blade guard side barriers may be lifted, then positioned out of the way without being removed for easier measurement.

NOTE: Blade alignment can be adjusted for different kerf widths. Refer to: **To Check and Align the Riving Knife and Saw Blade**. Check the blade guard assembly for clearances and free movement.

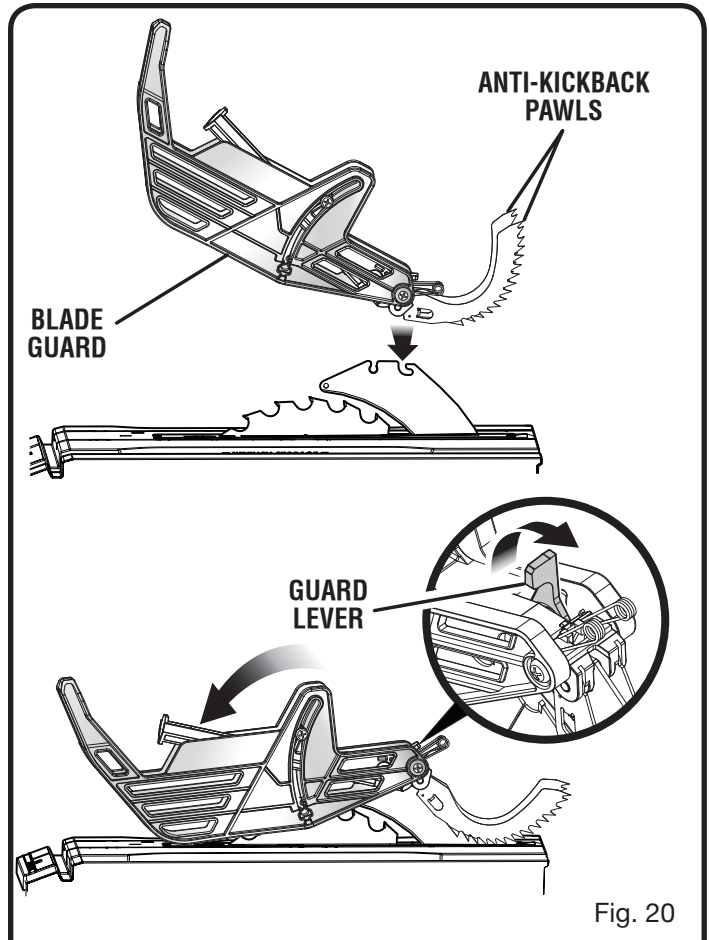


Fig. 20

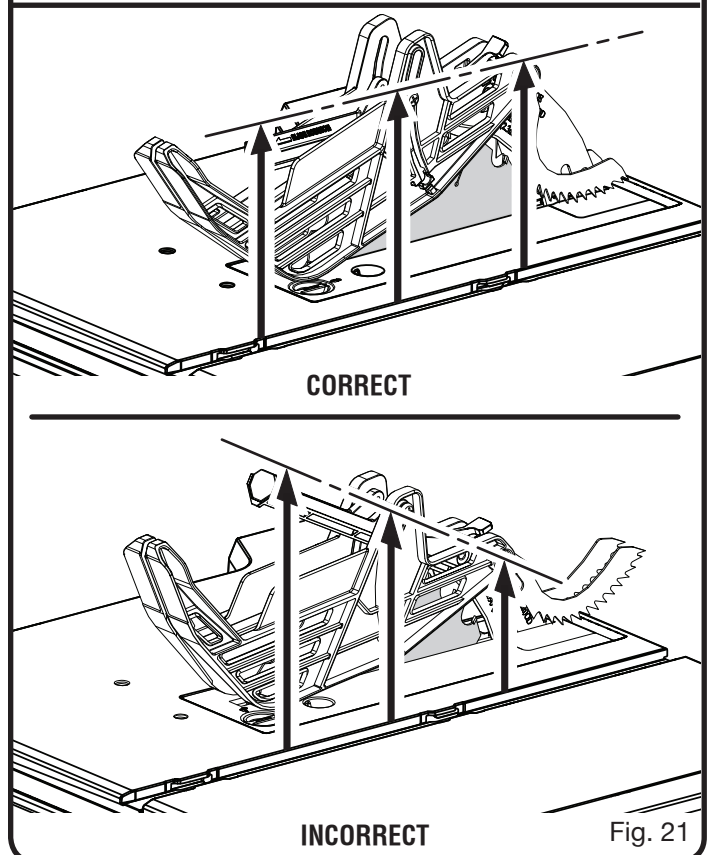


Fig. 21

ASSEMBLY

TO CHECK AND ALIGN THE RIVING KNIFE AND SAW BLADE

See Figures 22 - 23.

To check alignment of the riving knife:

- Unplug the saw.
- Raise the saw blade to its full height.
- Remove the blade guard.
- To check horizontal alignment, place a framing square or straight edge against both the body of the saw blade and the riving knife. The framing square should contact both the blade body and riving knife evenly with no gaps. Check the alignment with both sides of the blade body.
- **NOTE:** The kerf or width of each tooth is wider than the blade body. When the riving knife is properly aligned, it will be centered on the kerf width.
- To check vertical alignment, place a framing square beside the riving knife. The edge of the square and the riving knife should be parallel.

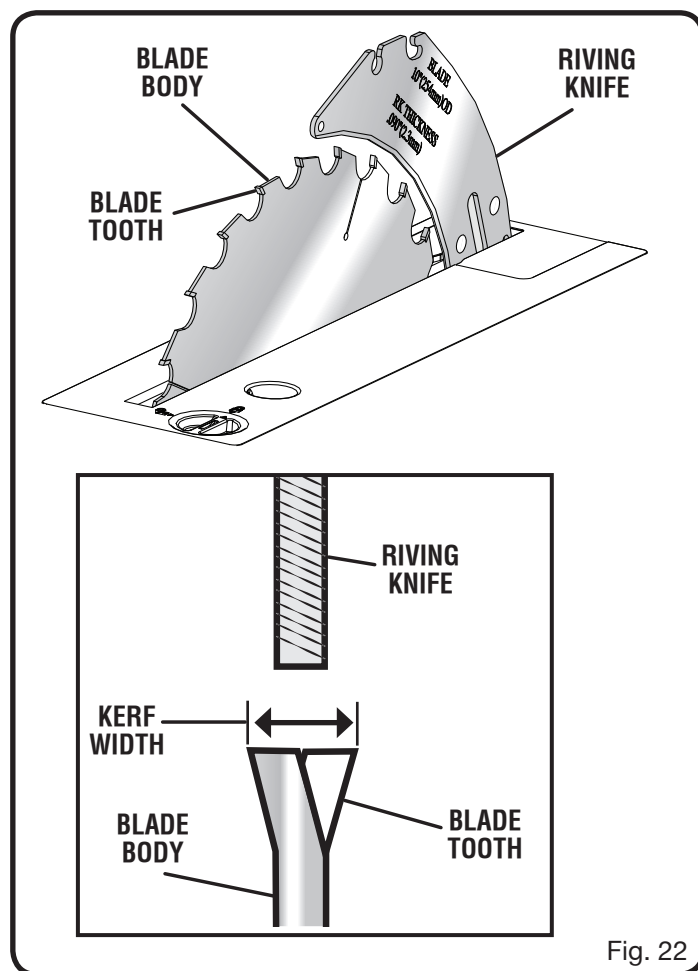


Fig. 22

If the riving knife is out of alignment with the saw blade, adjustment is needed. The riving knife must be in alignment front to back (horizontally) and top to bottom (vertically).

To adjust (horizontally and vertically):

- Raise the saw blade to its full height.
- Remove the blade guard.
- From the back of the saw, loosen the screws holding the mounting bracket.
- Reposition the riving knife left or right as needed to align the riving knife with the saw blade.
- Once properly aligned, securely retighten all screws.
- Check again for squareness and continue to adjust if needed.

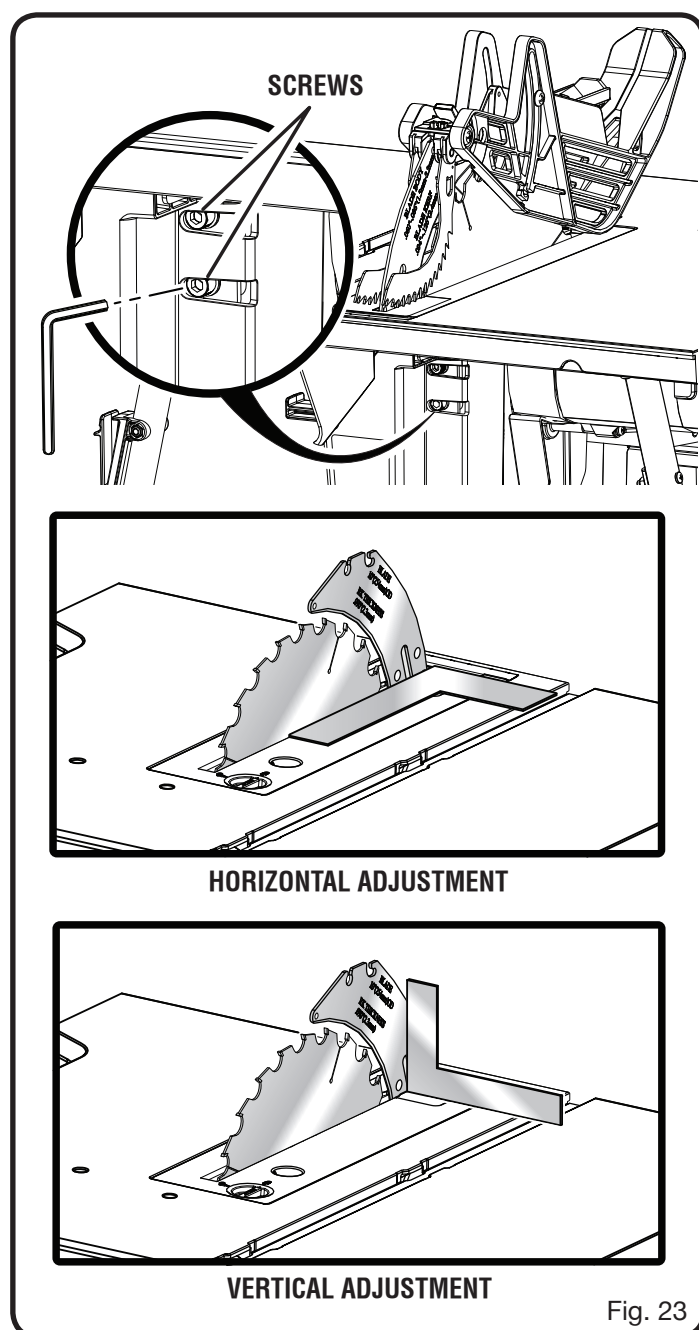


Fig. 23

ASSEMBLY

TO MOVE THE SAW

See Figure 24.

- Close the leg stand as described earlier in the **To open/close (set-up/tear down) the leg stand** section.
- Holding the leg stand firmly, pull the leg stand toward you until the leg stand and saw are balanced on the wheels like a handtruck.
- Push the saw to the desired location then either open the leg stand for immediate saw operation or store the saw in a dry environment.

STORING TABLE SAW ACCESSORIES

See Figure 25 - 28.

When not in use the rip fence, riving knife, wrenches, blade guard, miter gauge, and push stick may be stored beneath the saw table.

Additional storage for the push stick is located on top of the rip fence. To use the storage area, insert the tip of the push stick into the slot until it clicks into place.

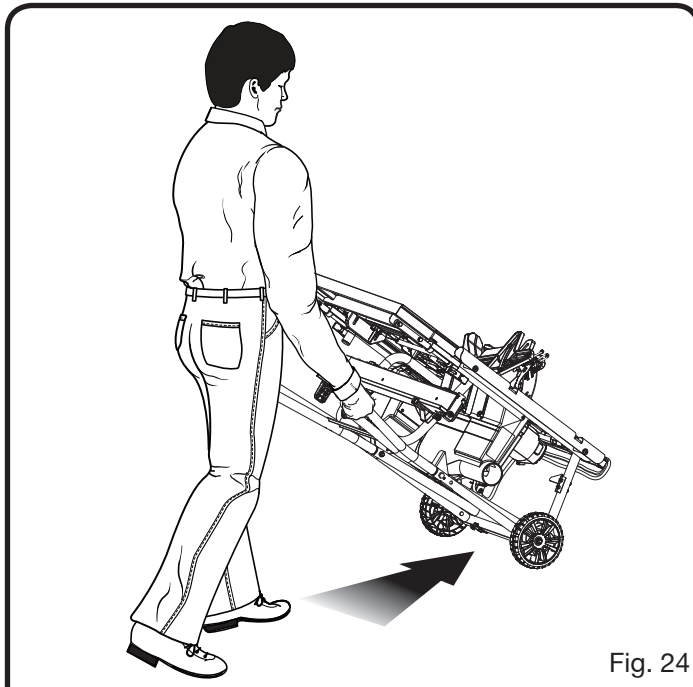


Fig. 24

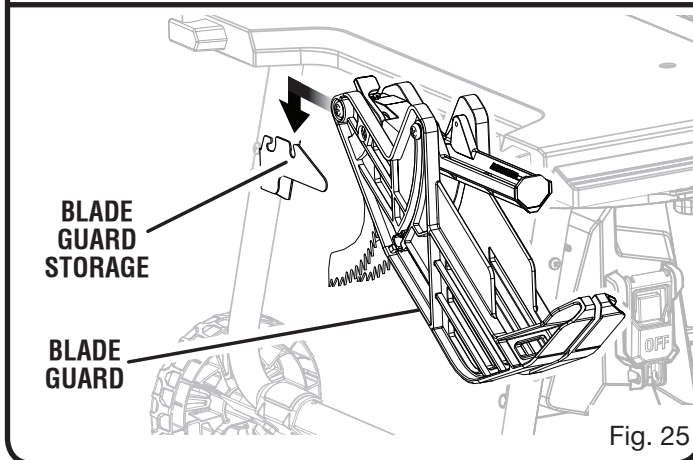


Fig. 25

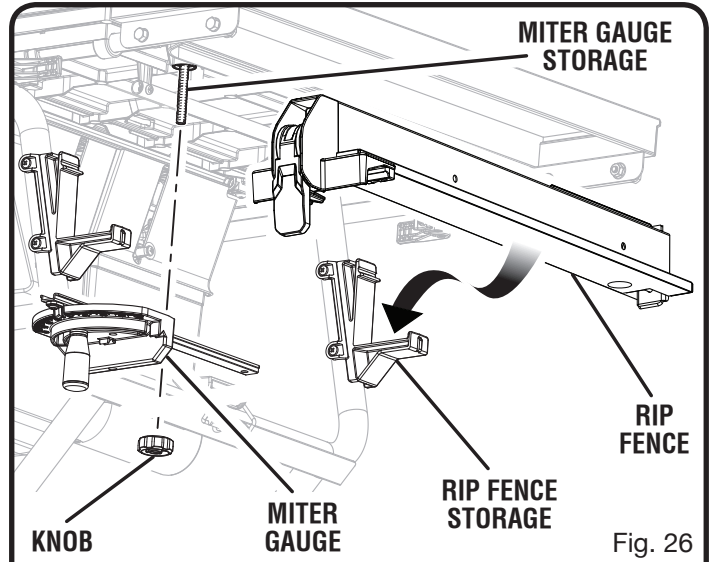


Fig. 26

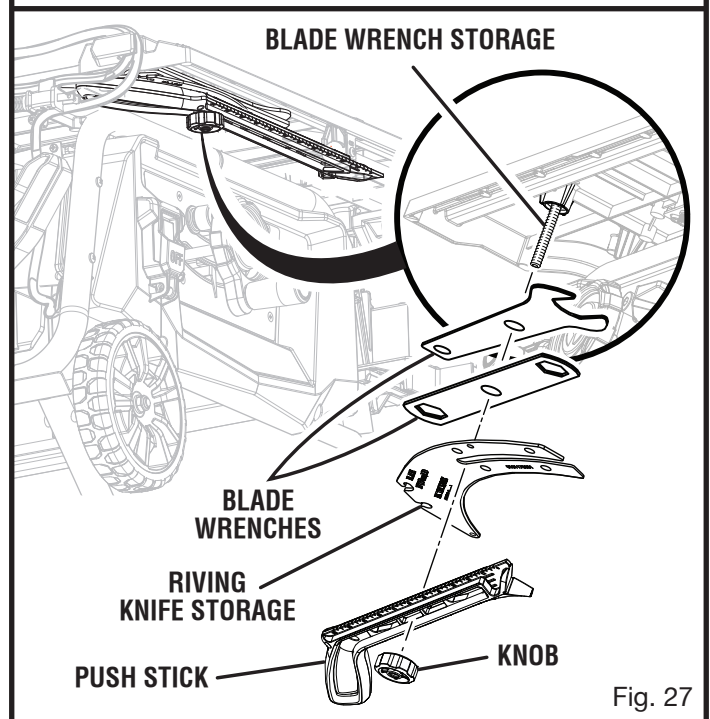


Fig. 27

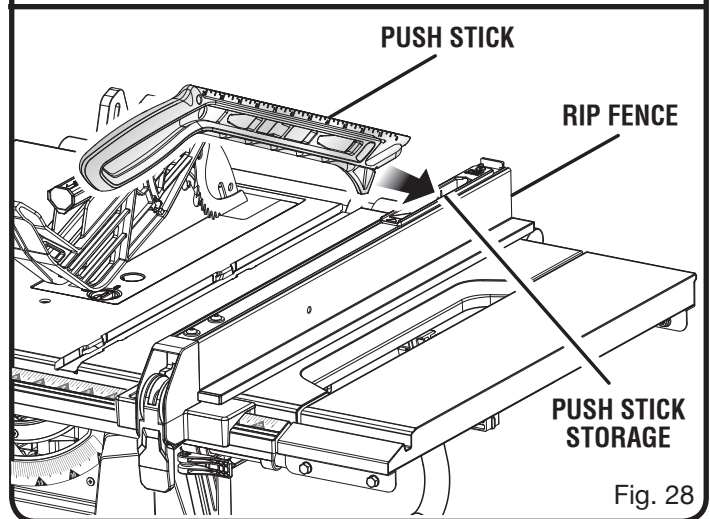


Fig. 28

OPERATION

WARNING:

Do not allow familiarity with tools to make you careless. Remember that a careless fraction of a second is sufficient to inflict severe injury.

WARNING:

Always wear eye protection with side shields marked to comply with ANSI Z87.1. Failure to do so could result in objects being thrown into your eyes, resulting in possible serious injury.

WARNING:

Do not use any attachments or accessories not recommended by the manufacturer of this tool. The use of attachments or accessories not recommended can result in serious personal injury.

WARNING:

Although many of the illustrations in this manual are shown with the blade guard removed for clarity, do not operate the saw without the blade guard unless specifically instructed to do so.

WARNING:

The table saw must be mounted to a firm supporting surface, such as a workbench or leg stand that positions the saw at waist height. Many illustrations in this manual are shown with the saw unmounted for clarity.

APPLICATIONS

You may use this tool for the purposes listed below:

- Straight line cutting operations such as cross cutting, ripping, mitering, beveling, and compound cutting
- Dado with optional accessories
- Cabinet making and woodworking

NOTE: This table saw is designed to cut wood and wood composition products only.

BASIC OPERATION OF THE TABLE SAW

To reduce the risk of electric shock, this tool has a polarized plug (one blade is wider than the other). This plug will fit in a polarized outlet only one way. If the plug does not fit fully in the outlet, reverse the plug. If it still does not fit, contact a qualified electrician to install the proper outlet. Do not change the plug in any way. Refer to the *Electrical* section in this manual.

CAUSES OF KICKBACK

Kickback can occur when the blade stalls or binds, kicking the workpiece back toward you with great force and speed. If your hands are near the saw blade, they may be jerked loose from the workpiece and may contact the blade. Obviously, kickback can cause serious injury, and it is well worth using precautions to avoid the risks.

Kickback can be caused by any action that pinches the blade in the wood such as:

- Making a cut with incorrect blade depth
- Sawing into knots or nails in the workpiece
- Twisting the wood while making a cut
- Failing to support work
- Forcing a cut
- Cutting warped or wet lumber
- Using the wrong blade for the type of cut
- Not following correct operating procedures
- Misusing the saw
- Failing to use the anti-kickback pawls
- Cutting with a dull, gummed-up, or improperly set blade

AVOIDING KICKBACK

- Always use the correct blade depth setting. The top of the blade teeth should clear the workpiece by 1/8 in. to 1/4 in.
- Inspect the work for knots or nails before beginning a cut. Knock out any loose knots with a hammer. Never saw into a loose knot or nail.
- Always use the rip fence when rip cutting. Use the miter gauge when cross cutting. This helps prevent twisting the wood in the cut.
- Always use clean, sharp, and properly-set blades. Never make cuts with dull blades.
- To avoid pinching the blade, support the work properly before beginning a cut.
- When making a cut, use steady, even pressure. Never force cuts. Do not release the workpiece until you have pushed it completely past the blade.
- Do not cut wet or warped lumber. The workpiece must have a straight edge for it to be guided along the rip fence.
- Use extra caution when cutting some prefinished or composition wood products as the anti-kickback pawls may not always be effective.
- Always guide your workpiece with both hands or with push sticks and/or push blocks. Keep your body in a balanced position to be ready to resist kickback should it occur. Never stand directly in line with the blade.
- Use of a featherboard will help hold the workpiece securely against the saw table or fence.

OPERATION

- Clean the saw, blade guard, under the throat plate, and any areas where sawdust or scrap workpieces may gather.
- Keep blade guard, riving knife and anti-kickback pawls in place and proper operation. The riving knife must be in alignment with the blade and the pawls must stop a kickback once it has started. Check their operation before ripping.
- Maintain the rip fence parallel with the saw blade.
- When ripping, apply the feed force to the section of the workpiece between the blade and rip fence. Use a push stick and/or push block when appropriate.
- Use the right type of blade for the cut being made.
- Always use the riving knife for every operation where it is allowed. The use of this device will greatly reduce the risk of kickback.

CUTTING AIDS

See Figures 29 - 30.

Push sticks are devices that may be used for pushing a workpiece through the blade in any rip cut. When making non-through cuts or ripping narrow stock, always use a push stick, push block, and/or featherboard so your hands do not come within 3 inches of the saw blade. They can be made in various sizes and shapes from scrap wood and used in a specific project. The stick must be narrower than the workpiece, with a 90° notch in one end and shaped for gripping on the other end.

A push block has a handle fastened by recessed screws from the underside or secured with wood glue. Use push blocks for narrow cuts and all non-through cuts. A cutting jig or similar cutting aid may be necessary to ensure the push block does not interfere with the cut.

CAUTION:

Be sure the screws in a push block are recessed to avoid damaging the saw or workpiece.

Push blocks and push sticks like the ones shown in figure 29 can be purchased locally and a push stick is included with your saw. To make additional cutting aids, follow the instructions below.

To make a push stick:

The material, shape and size of a push stick can vary. For this project, use a piece of solid wood that is 18 in. long, 1-1/2 in. wide and 3/4 in. thick.

- If desired, cut a curve into one end of the workpiece to serve as a grip.
- Cut a notch into the workpiece on the opposite end. During use, this end will contact the edge of the material being cut.

To make a push block:

The material, shape and size of a push block can vary. For this project, use two pieces of solid wood to make the base and handle. The base is 5 in. long, 3 in. wide and 3/8 in. thick. The handle should be 5 in. long, 1 in. wide, and 3/4 in. thick.

- Mark the center of the base.
- Attach the handle to the center of the base using recessed screws or wood glue.

NOTE: To prevent the push block from slipping across the workpiece, you can attach a piece of sandpaper or a non-slip rubber pad to the bottom of the base.

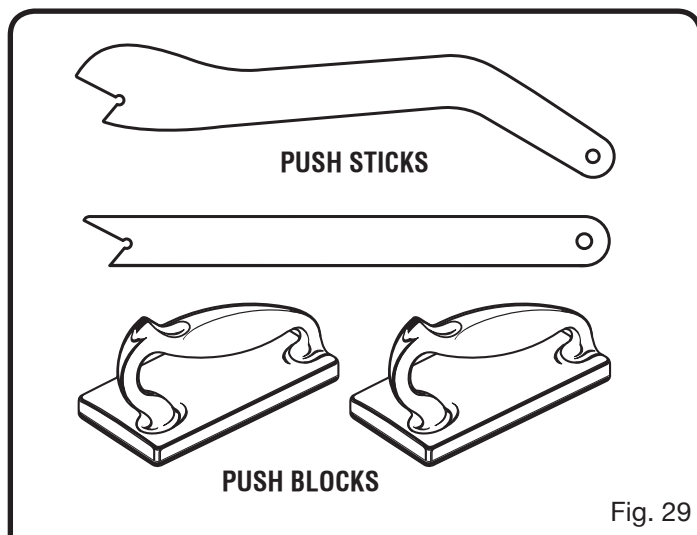


Fig. 29

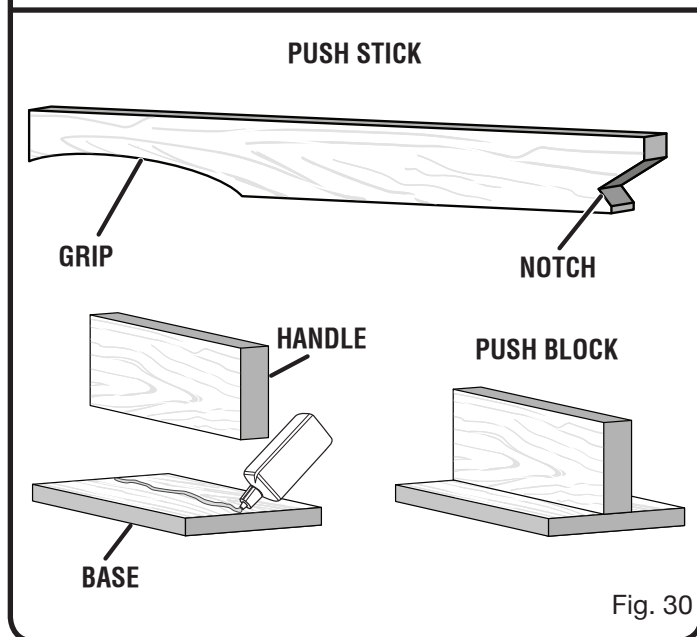


Fig. 30

OPERATION

WORKPIECE SUPPORTS

See Figure 31.

When cutting with your table saw, make sure that the workpiece you are cutting is properly supported. Properly supporting the workpiece throughout the cutting process not only improves the accuracy of the cut but also makes the cutting process safer for the user. This support could be required on the infeed side, the overhang side, or the outfeed side of the table. Improper support of the workpiece can cause the workpiece to move in unexpected ways during the process of the cut startling the user of the saw. It may also cause the user to apply abnormal forces to the workpiece to control it during the cutting process. This tipping motion of the workpiece will happen if approximately half of the workpiece overhangs any edge of the saw table.

Appropriate support can be easy to achieve. Commercially available support stands are available, or any surface that is the same height as the work surface of the saw would be acceptable. An operation that is practiced before actually making the cut will inform the user that supports may be necessary for safely completing the saw cut.

AUXILIARY FENCE

An auxiliary fence is a device used to close the gap between the rip fence and the saw table. Always make and use an auxiliary fence when ripping material 1/8 in. or thinner.

HOW TO MAKE AND ATTACH AN AUXILIARY FENCE (FOR RIP CUTTING THIN WORKPIECE)

See Figure 32.

An auxiliary fence may be made for the saw by cutting a piece of wood to 21 in. long, at least 3/4 in. thick, and at least 3-1/2 in. tall.

NOTE: The height and thickness of the auxiliary fence can be increased depending on the size and type of workpiece you are attempting to cut. Use taller auxiliary fences when cutting workpieces that are taller than the height of the rip fence.

To attach the auxiliary fence to the rip fence:

- Place the wood against the left side of the rip fence and resting firmly on the saw table.
- From the back side of the rip fence, secure the wood to the fence using wood screws.

NOTE: Make sure the screws you use to attach the auxiliary fence do not pass through the front face of the fence.

HOW TO MAKE A JIG (FOR RIP CUTTING NARROW WORKPIECE)

See Figure 33.

If ripping a narrow workpiece places the hands too close to the blade, it will be necessary to make and use a jig.

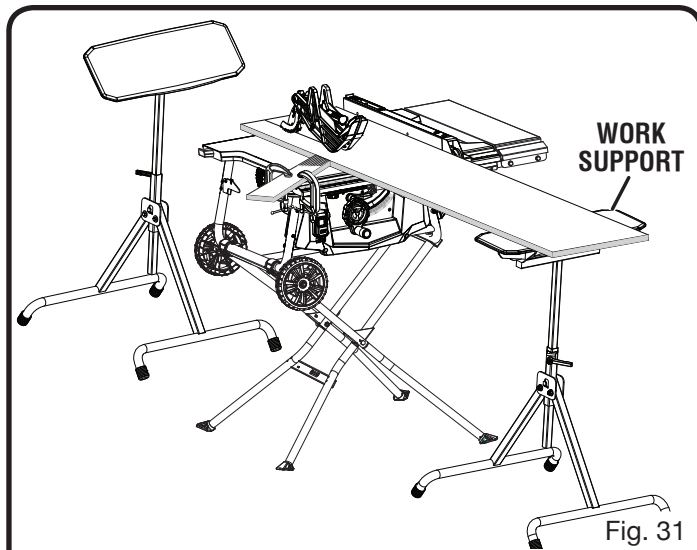


Fig. 31

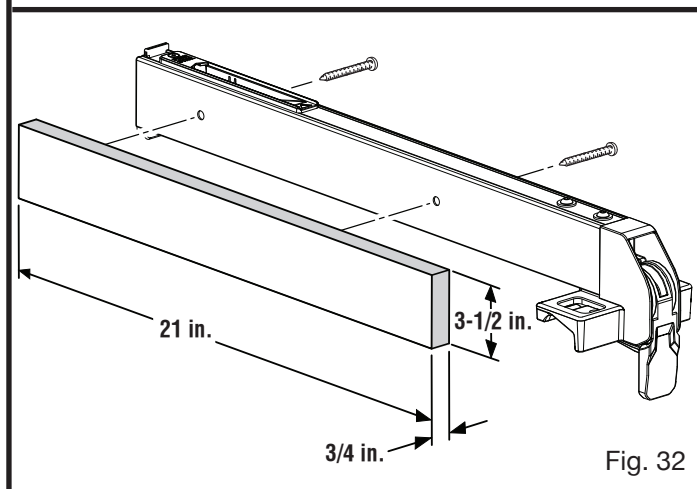


Fig. 32

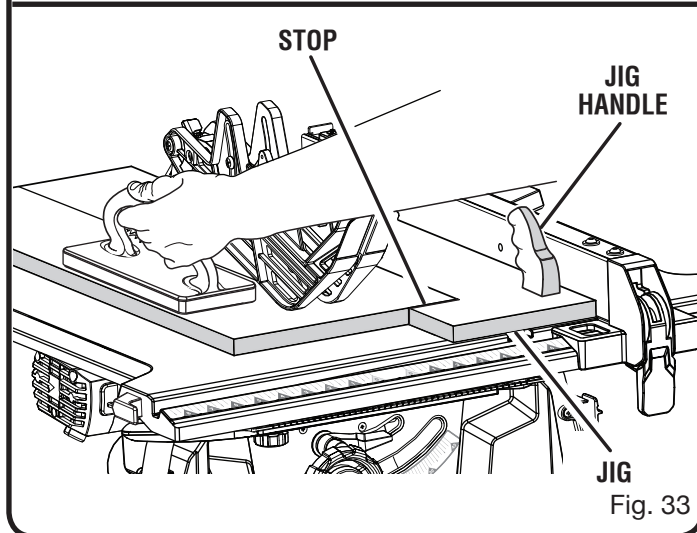


Fig. 33

To make a jig:

- Attach a handle to a long, straight piece of wood and secure from the underside using recessed screws.
- Cut an L-shaped stop in the side of the jig.

OPERATION

To use a jig:

- Position the workpiece flat on the table with the edge flush against the jig and against the stop.
- Holding the jig handle and using a push block and/or push stick make the rip cut, see **Making a Rip Cut** later in this section.

FEATHERBOARD

A featherboard is a device used to help control the workpiece by holding it securely against the table or fence. Featherboards are especially useful when ripping small workpieces and for completing non-through cuts. The end is angled with a number of short kerfs to give a friction hold on the workpiece and locked in place on the table with a C-clamp. Test to ensure it can resist kickback.

⚠ WARNING:

Place the featherboard against the uncut portion of the workpiece to avoid kickback that could cause serious personal injury.

Commercially available featherboards can be purchased for a reasonable price. Many of these featherboards mount inside the miter slots of the saw and are convenient to mount and use on your table saw. To make a featherboard, follow the instructions in the next section.

HOW TO MAKE A FEATHERBOARD

See Figure 34.

The featherboard is an excellent project for the saw. Select a solid piece of lumber approximately 3/4 in. thick, 2-1/2 in. wide and 12 in. long. Mark the center of the width on one end of the stock. Miter the width to 70° (see page 39 for information on miter cuts). Mark the board from the widest point at four inches.

Prepare the saw for ripping as discussed on page 37. Set the rip fence to allow approximately a 1/4 in. "finger" to be cut in the stock. Feed the stock only to the mark previously made at 4 in. Turn the saw **OFF** and allow the blade to completely stop

rotating before removing the stock. Reset the rip fence and cut spaced rips into the workpiece to allow approximately 1/4 in. fingers and 1/8 in. spaces between the fingers.

HOW TO MOUNT A FEATHERBOARD

See Figure 35.

Completely lower the saw blade. Position the rip fence to the desired adjustment for the cut to be performed and lock. Place the workpiece against the fence and over the saw blade area. Adjust the featherboard to apply resistance to the workpiece just forward of the blade. Attach C-clamps to further secure the featherboard to the edge of the saw table.

⚠ WARNING:

The featherboard must be installed in front of the blade. **Do not** locate the featherboard to the rear of the blade. Kickback can result from the featherboard pinching the workpiece and binding the blade in the saw kerf if positioned improperly. Failure to heed this warning can result in serious personal injury.

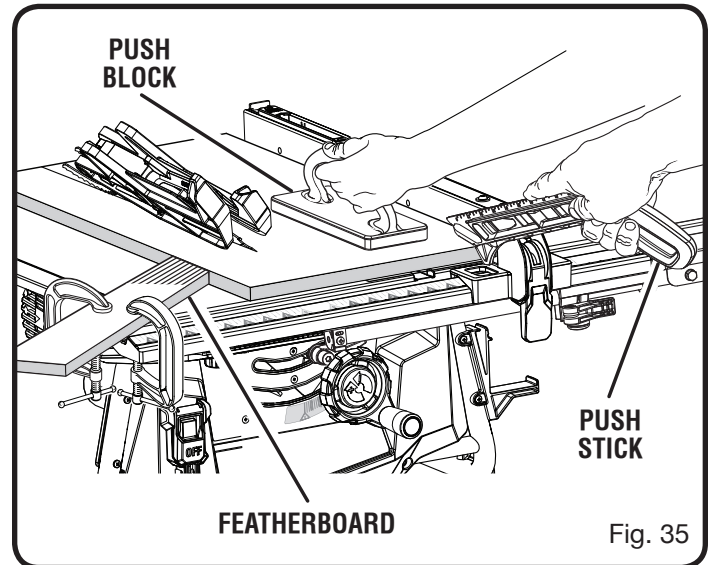


Fig. 35

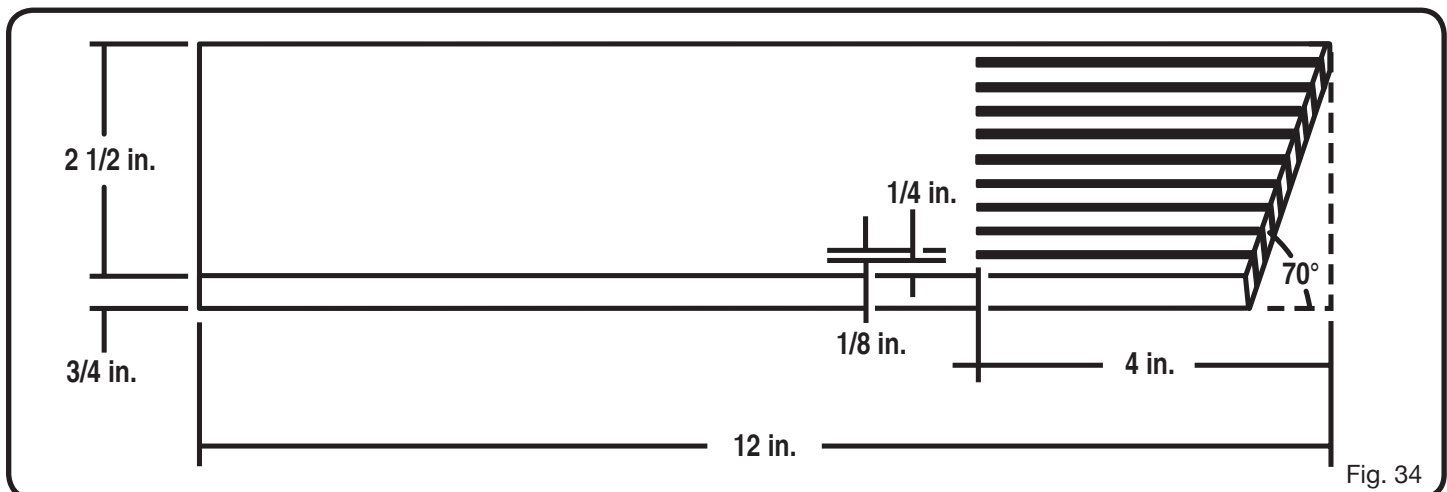


Fig. 34

OPERATION

TYPES OF CUTS

See Figure 36.

There are six basic cuts: 1) the cross cut, 2) the rip cut, 3) the miter cut, 4) the bevel cross cut, 5) the bevel rip cut, and 6) the compound (bevel) miter cut. All other cuts are combinations of these basic six. Operating procedures for making each kind of cut are given later in this section.

WARNING:

Always make sure the blade guard is in place and working properly when making these cuts to avoid possible injury.

Cross cuts are straight 90° cuts made across the grain of the workpiece. The wood is fed into the cut at a 90° angle to the blade, and the blade is vertical.

Rip cuts are made with the grain of the wood. To avoid kickback while making a rip cut, make sure one side of the wood rides firmly against the rip fence.

Miter cuts are made with the wood at any angle to the blade other than 90°. The blade is vertical. Miter cuts tend to “creep” during cutting. This can be controlled by holding the workpiece securely against the miter gauge.

WARNING:

Always use a push stick with small pieces of wood, and also to finish the cut when ripping a long narrow piece of wood, to prevent your hands from getting close to the blade.

Bevel cuts are made with an angled blade. Bevel cross cuts are across the wood grain, and bevel rip cuts are with the grain.

Compound (or bevel) miter cuts are made with an angled blade on wood that is angled to the blade. Be thoroughly familiar with making cross cuts, rip cuts, bevel cuts, and miter cuts before trying a compound miter cut.

CUTTING TIPS

Dado and rabbet cuts are non-through cuts which can be either rip cuts or cross cuts. Carefully read and understand all sections of this operator’s manual before attempting any operation.

WARNING:

Do not use blades rated less than the speed of this tool. Failure to heed this warning could result in personal injury.

- The kerf (the cut made by the blade in the wood) will be wider than the blade to avoid overheating or binding. Make allowance for the kerf when measuring wood.

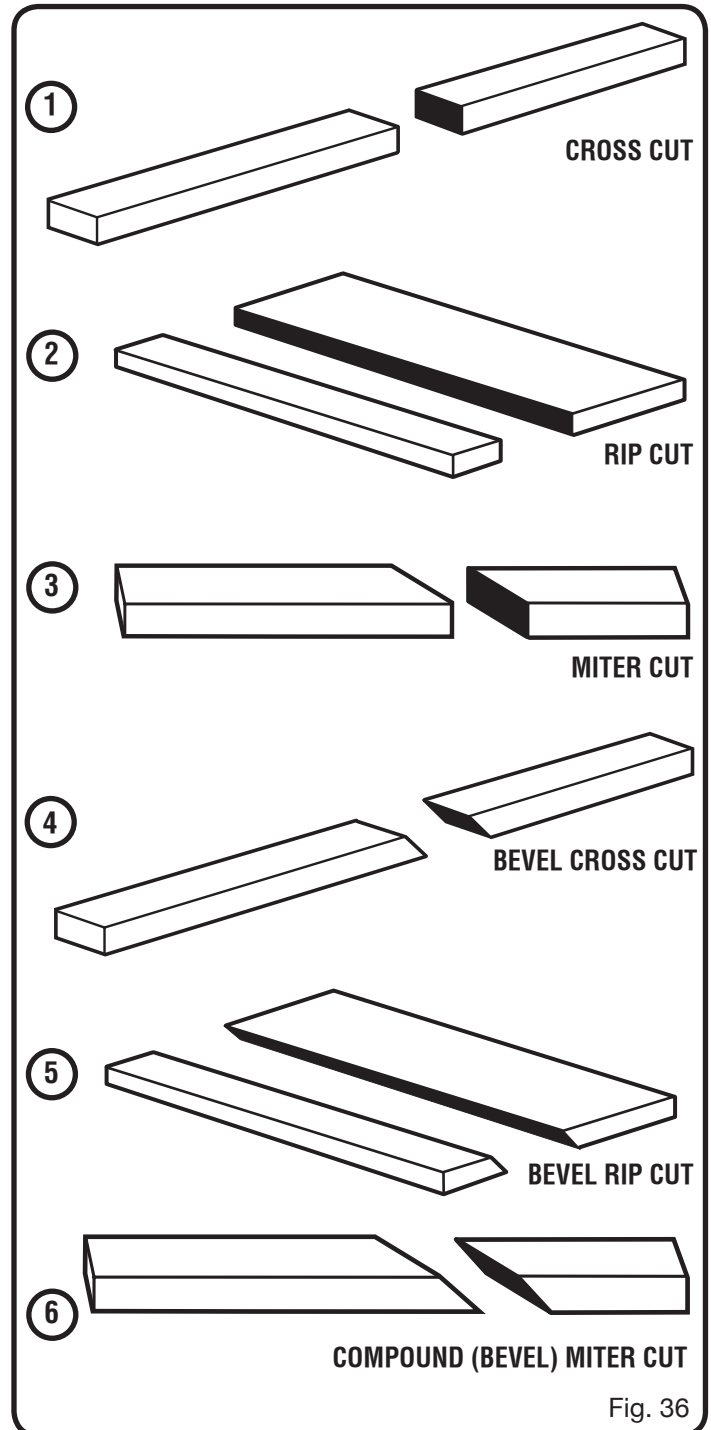


Fig. 36

- Make sure the kerf is made on the waste side of the measuring line.
- Cut the wood with the finish side up.
- Knock out any loose knots with a hammer before making the cut.
- Always provide proper support for the wood as it comes out of the saw.

OPERATION

TO CHANGE BLADE DEPTH

See Figures 37 - 38.

The blade depth should be set so that the outer points of the blade are higher than the workpiece by approximately 1/8 in. to 1/4 in. but the lowest points (gullets) are below the top surface.

- Turn the bevel lock lever to the right.
- Raise the blade by turning the height/bevel adjusting handwheel clockwise or lower it by turning the handwheel counterclockwise.

TO CHANGE BLADE ANGLE (BEVEL)

See Figure 38.

This table saw has a rack and pinion bevel control that allows you to make angled cuts from 90° to 45°.

NOTE: A 90° cut has a 0° bevel and a 45° cut has a 45° bevel.

- Unplug the saw.
- Loosen bevel control by turning bevel lock lever all the way to the left. If it needs to be further loosened, pull spring-loaded bevel lock lever out and rotate it back to the right. Release bevel locking lever and allow it to seat (lock) in its original position. Turn it to the left again until loose.
- Move the height adjusting handwheel to the right to bevel to 45° bevel angle.
- Tighten bevel control by turning bevel lock lever to the right. If it needs to be tightened more, pull the spring-loaded bevel lock lever out and rotate it to the left. Then release bevel lock lever and allow it to return to its original position. Rotate to the right again. Repeat this process until bevel lock lever is securely tightened.

TO ADJUST THE BEVEL INDICATOR

See Figure 39.

If the bevel indicator is not at zero when the saw blade is at 90°, adjust the indicator by loosening the screw and setting it at 0° on the bevel scale. Retighten the screw.

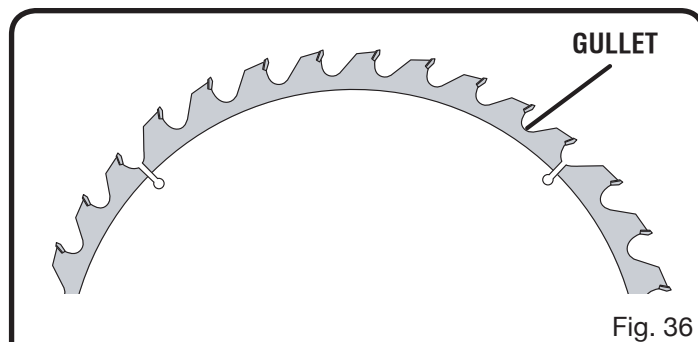


Fig. 36

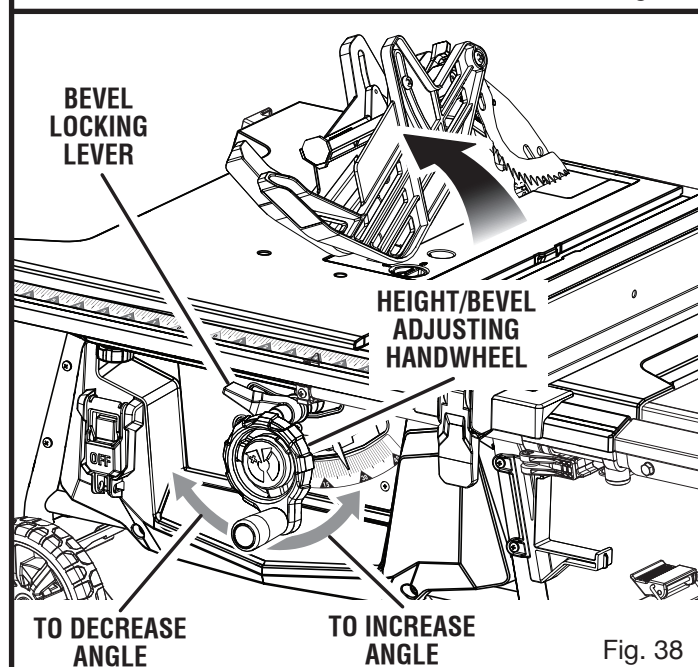


Fig. 38

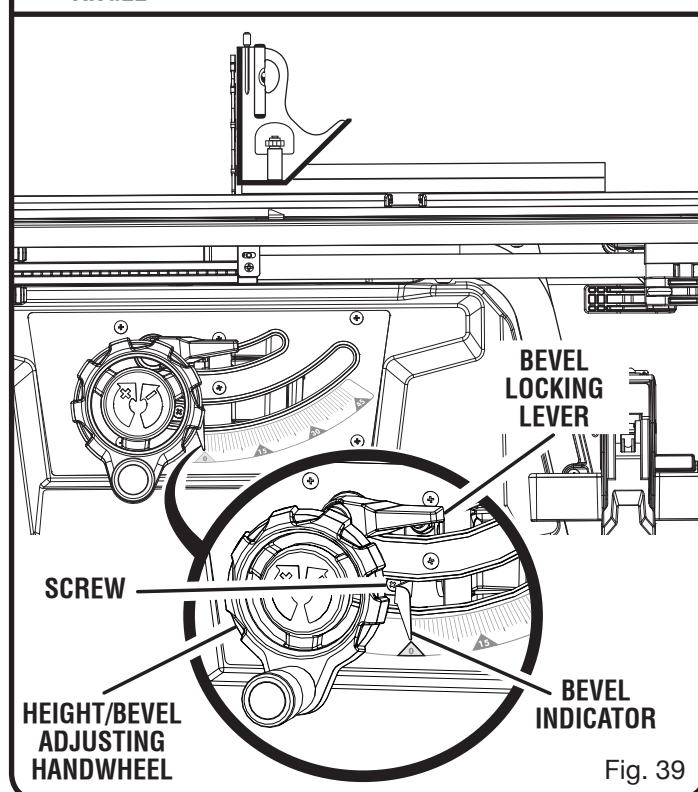


Fig. 39

OPERATION

TO USE THE RIP FENCE

See Figure 40 - 41.

WARNING:

To reduce the risk of injury, always make sure the rip fence is parallel to the blade before beginning any operation.

NOTE: The rip fence included with your saw has a low fence. The low fence should face away from the blade when cutting material greater than 3/4 inches thick. The low fence should face toward the blade when cutting thin and/or narrow workpieces. **NEVER** support the weight of the workpiece on the low fence while making a cut.

- Loosen the rip fence by lifting the locking lever.
- Place the rear lip on the rear of the saw table and pull slightly toward the front of the unit.
- Lower the front end of the rip fence onto the guide surfaces on top of the front rail.
- Check for smooth gliding action.
- Position the rip fence the desired distance from the blade.
- With the rip fence flat on the saw table, push the fence towards the front rail to align the fence to the blade.
- Push the locking lever down to align and secure the fence. When securely locked, the locking lever should point downward.

NOTE: Ensure the locking lever secures the rip fence in place. If adjustments are needed, see **To Check the Tightness of the Rip Fence Locking Lever** in the *Adjustment* section of this manual.

NOTE: If the rip fence is not parallel to the blade, adjustments are needed. Refer to: **To Check the Alignment of the Rip Fence to the Blade** in the *Adjustment* section of this manual.

TO SET THE RIP FENCE SCALE INDICATOR TO THE BLADE

See Figure 42.

Use the indicator on the rip fence to position the fence along the scale on the front rail.

NOTE: The blade guard must be removed to perform this adjustment. Reinstall the blade guard when the adjustment is complete.

Begin with the blade at a zero angle (straight up).

- Unplug the saw.
- Loosen the rip fence by lifting the locking lever.
- Using a framing square, set the rip fence 2 in. from the blade tip edge.
- Loosen the screw on the scale indicator and align with the 2 in. mark as shown.
- Tighten the screw and check the dimension and the rip fence.

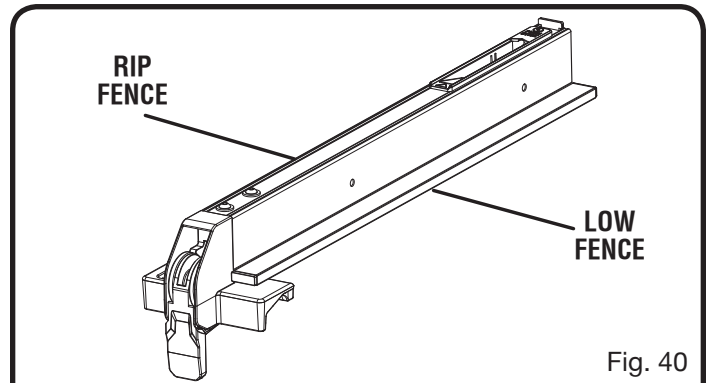


Fig. 40

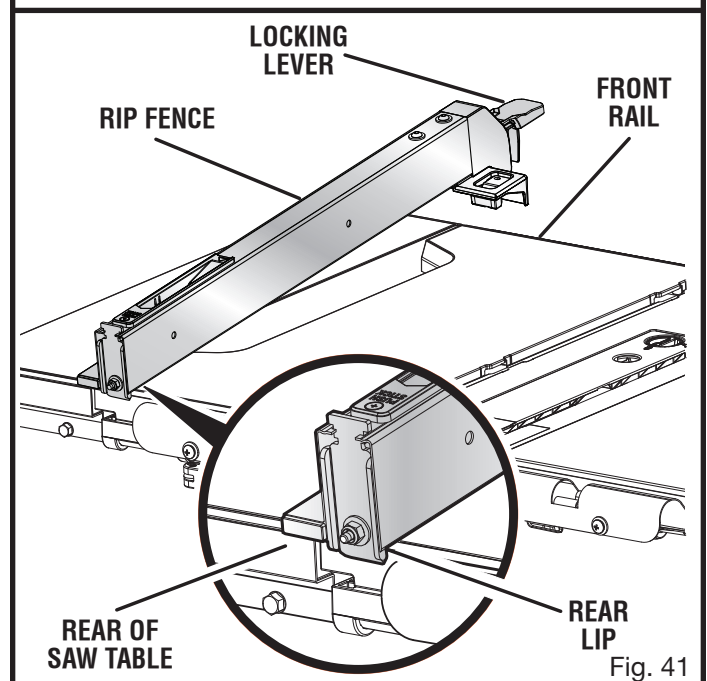


Fig. 41

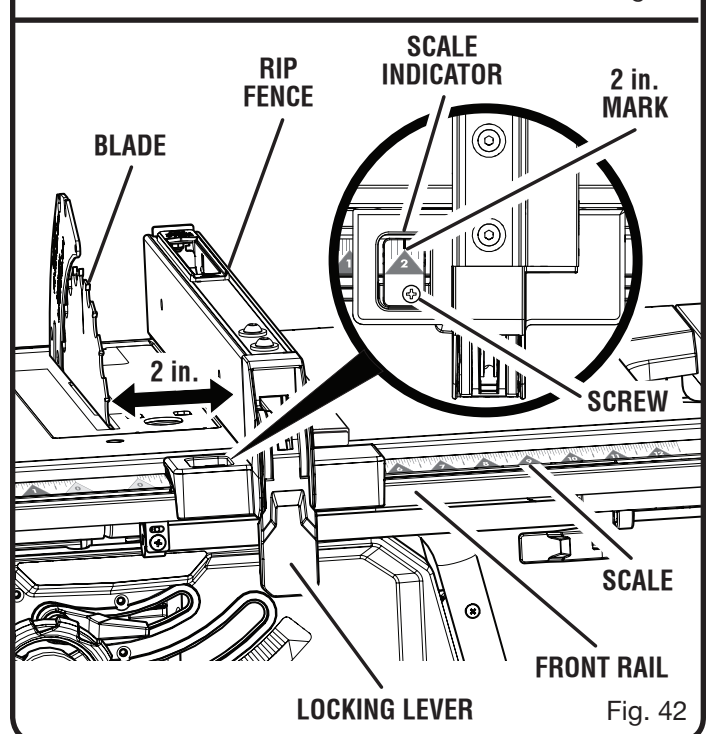


Fig. 42

OPERATION

TO USE THE SLIDING TABLE EXTENSION

See Figures 43 - 44.

Increase the length of the saw table by using the table extension.

- Set the rip fence to 14 in.

⚠ WARNING:

The rip fence must be locked in the 14 in. position to ensure the accuracy of the secondary scale measurement and to provide proper support of the workpiece when using the table in the extended position. Failure to position the rip fence correctly will cause inaccurate workpiece measurements and could result in serious personal injury.

- Pull the front table locking lever toward you to unlock the lever. Repeat with the back lever.
- Slide the table extension to the desired width.

NOTE: Use the scale on the front rail when a specific width is desired.

- Once the table extension are set to the desired width, relock the front and back locking levers by pushing the levers back towards the saw base.

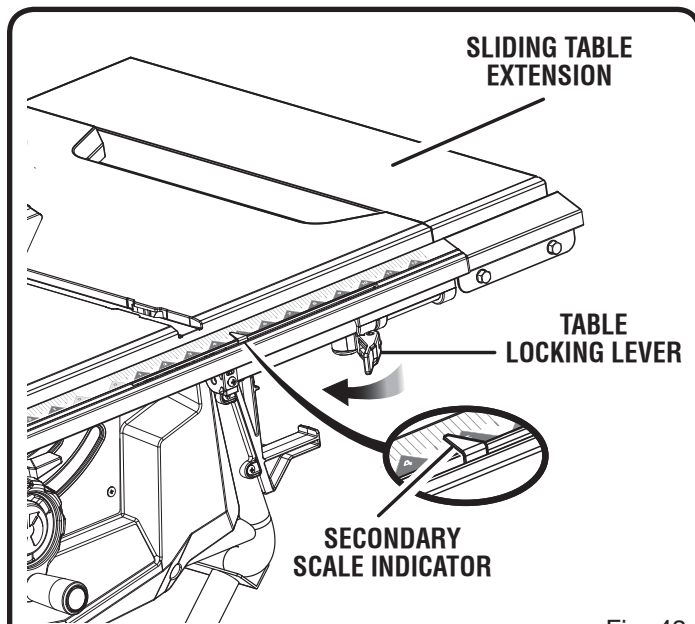


Fig. 43

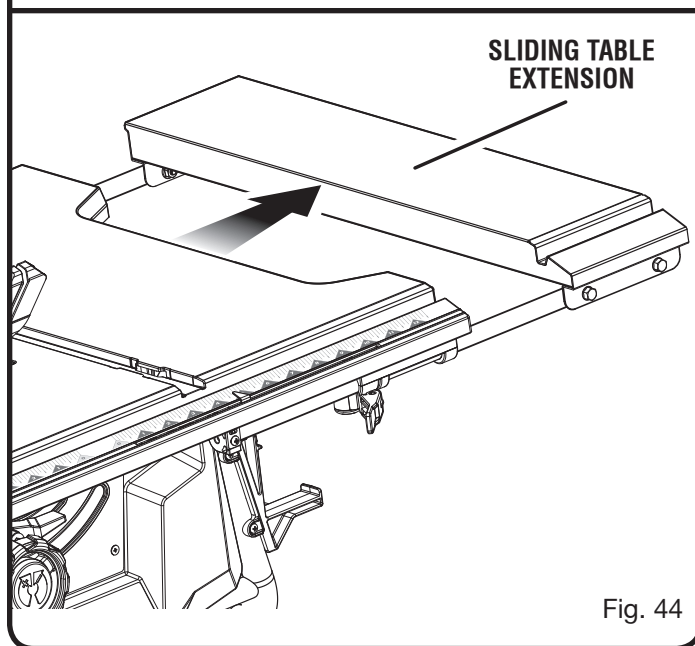


Fig. 44

OPERATION

TO USE THE MITER GAUGE

See Figure 45.

The miter gauge provides greater accuracy in angled cuts. For very close tolerances, test cuts are recommended.

The miter gauge can be turned 60° to the right or left.

- Loosen the lock knob.
- With the miter gauge in the miter gauge groove, rotate the gauge until the desired angle is reached on the scale.
- Retighten the lock knob.

ADJUSTING THE BLADE PARALLEL TO THE MITER GAUGE GROOVE (REMOVING HEEL)

See Figures 46 - 48.

WARNING:

The blade must be made parallel to the miter gauge groove so the wood does not bind resulting in kickback. Failure to do so could result in serious personal injury.

Do not loosen any bolts for this adjustment until you have checked with a square and made test cuts to be sure adjustments are necessary. Once the bolts are loosened, these items must be reset.

- Unplug the saw.
- Remove the blade guard and riving knife. Raise the blade by turning the height/bevel adjusting handwheel clockwise.

NOTE: For details on removing and reinstalling the riving knife, see **Cleaning the Riving Knife Lock Lever Plates** in the *Maintenance* section of this manual.

- Mark beside one of the blade teeth at the front of the blade. Using a ruler, measure the distance from the inside face of the blade tooth to the left edge of the miter gauge groove.

NOTE: For greater accuracy, place the marked blade tooth on top of the ruler.

- Turn the blade so the marked tooth is at the back.
- Move the ruler to the rear and again measure the distance from the inside face of the blade tooth to the left edge of the miter gauge groove. If the distances are the same, the blade and the miter gauge groove are parallel.
- Replace blade guard and riving knife.

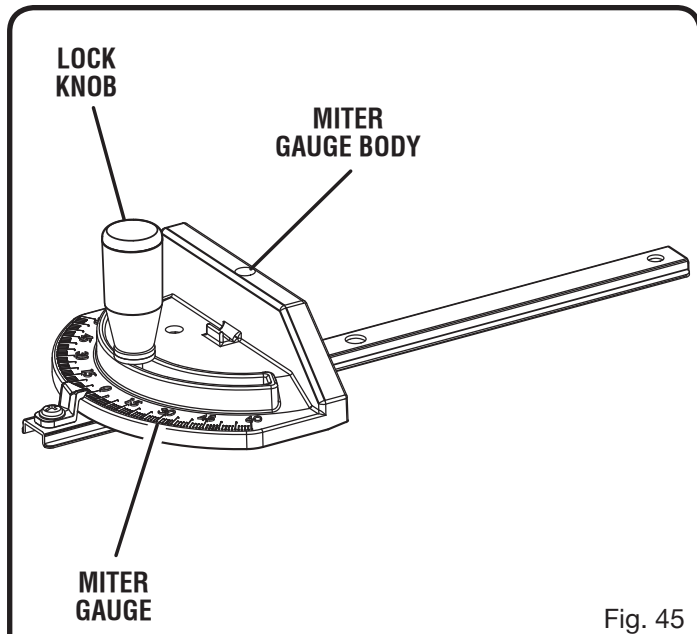


Fig. 45

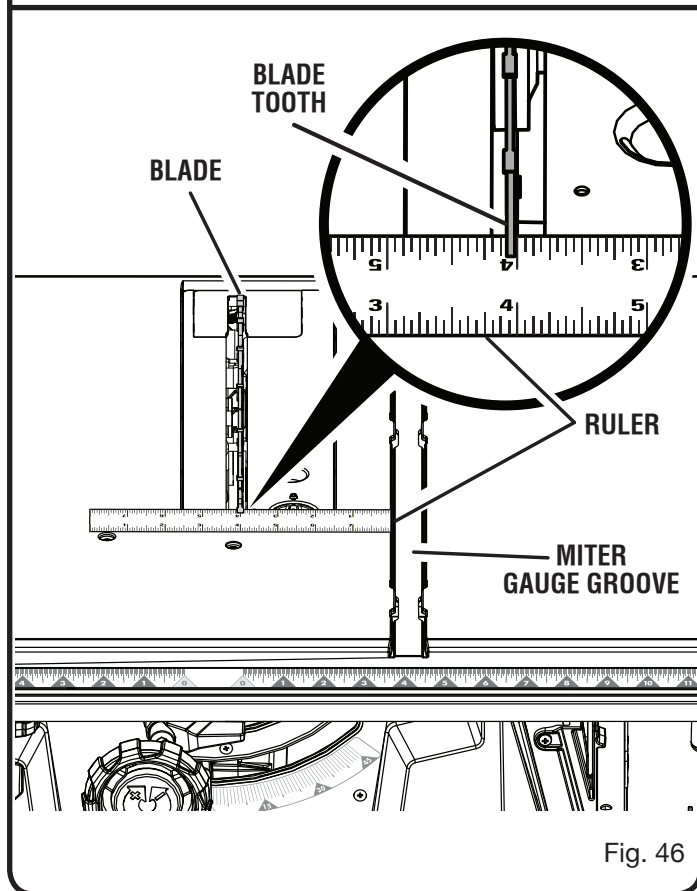


Fig. 46

OPERATION

If the distances are different:

- Remove the blade guard and riving knife. Raise the blade by turning the height/bevel adjusting handwheel clockwise.
- Loosen the locking bolts by turning towards the left.
NOTE: The bolts are located above the height/bevel adjusting handwheel and under the saw table in the front of the saw.
- Turn adjusting bolt left or right until the blade is square.
- Tighten the locking bolts. Check again for squareness and continue to adjust if needed.

WARNING:

To reduce the risk of injury from kickback, align the rip fence to the blade following any blade adjustments. Always make sure the rip fence is parallel to the blade before beginning any operation.

MAKING CUTS

WARNING:

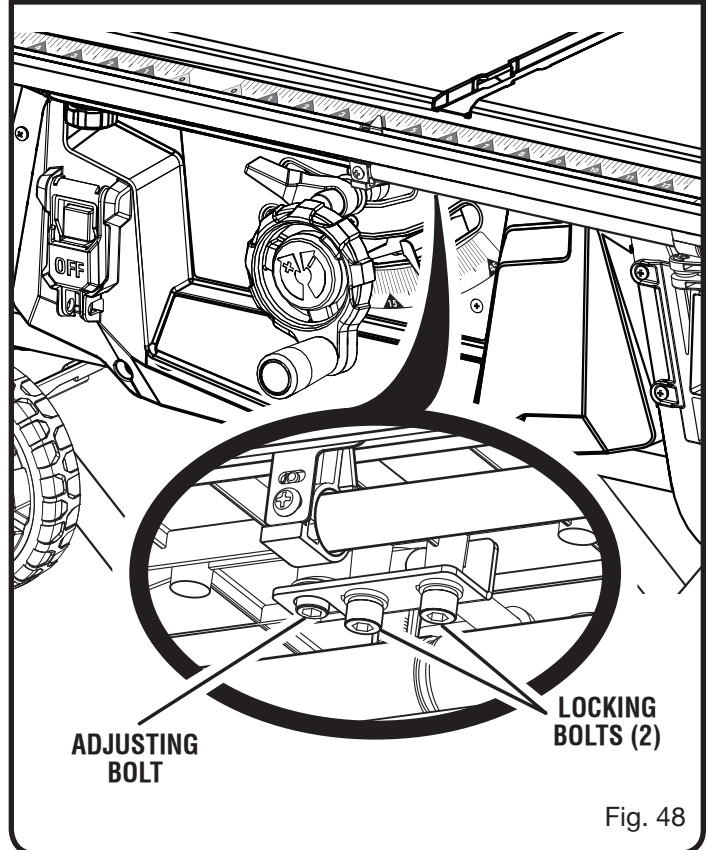
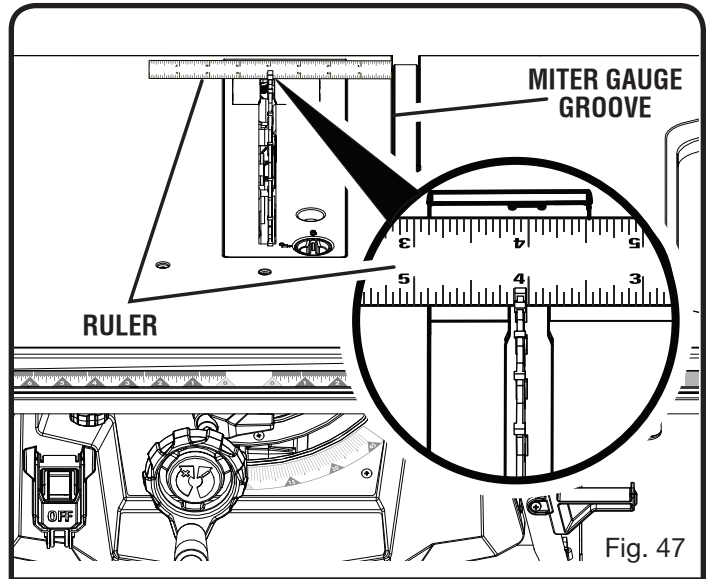
Before making any cuts, make sure that the table saw stand is on a firm level surface where there is plenty of room to handle and properly support the table saw and the workpiece. If a suitable location can not be found, then the saw should not be used. Operating the saw in a location that does not provide adequate space and stable footing for the table saw stand could create a tipping hazard which could result in serious personal injury.

This table saw can perform a variety of cuts that are not all mentioned in this manual. DO NOT attempt to make any cuts not covered here unless you are thoroughly familiar with the proper procedures and necessary accessories. Your local library has many books on table saw usage and specialized woodworking procedures for your reference.

The blade provided with the saw is a high-quality combination blade suitable for ripping and cross cut operations. Carefully check all setups and rotate the blade one full revolution to assure proper clearance before connecting saw to power source. Stand slightly to the side of the blade path to reduce the chance of injury should kickback occur.

WARNING:

Do not use blades rated less than the speed of this tool. Failure to heed this warning could result in personal injury.



Use the miter gauge when making cross, miter, bevel, and compound miter cuts. To secure the angle, lock the miter gauge in place by twisting the lock knob clockwise. Always tighten the lock knob securely in place before use.

During use the miter gauge may move slightly left or right inside the miter gauge groove. For greater accuracy, press the miter gauge against the left or right edge of the miter gauge groove when making cuts. Do not allow the gauge to go from one side to the other.

OPERATION

Always place the workpiece against the face of the miter gauge body when making cuts. To prevent the workpiece from moving, you can attach a piece of sandpaper to the miter gauge body face.

NOTE: It is recommended that you place the piece to be saved on the same side of the blade as the miter gauge, and that you make a test cut on scrap wood first.

MAKING A CROSS CUT

See Figures 49 - 51.

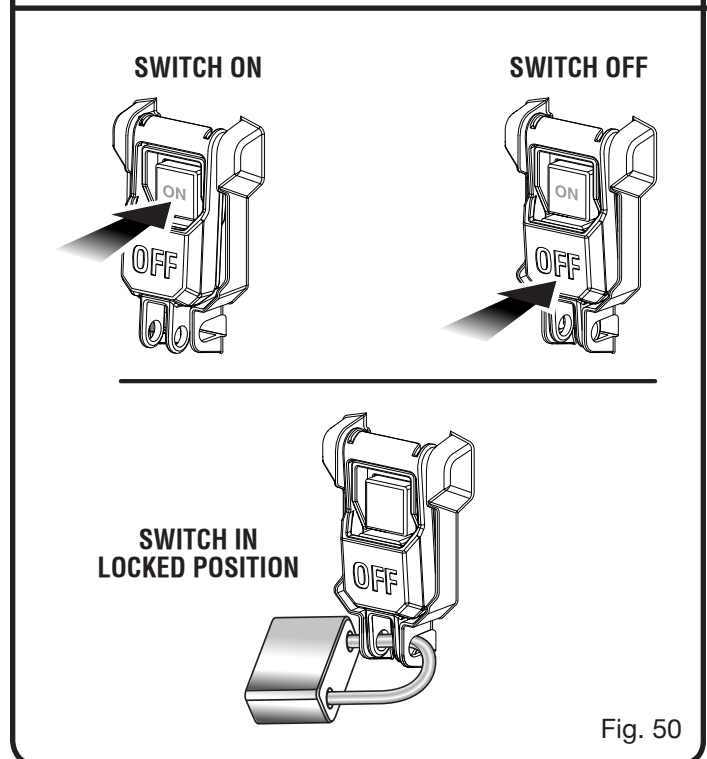
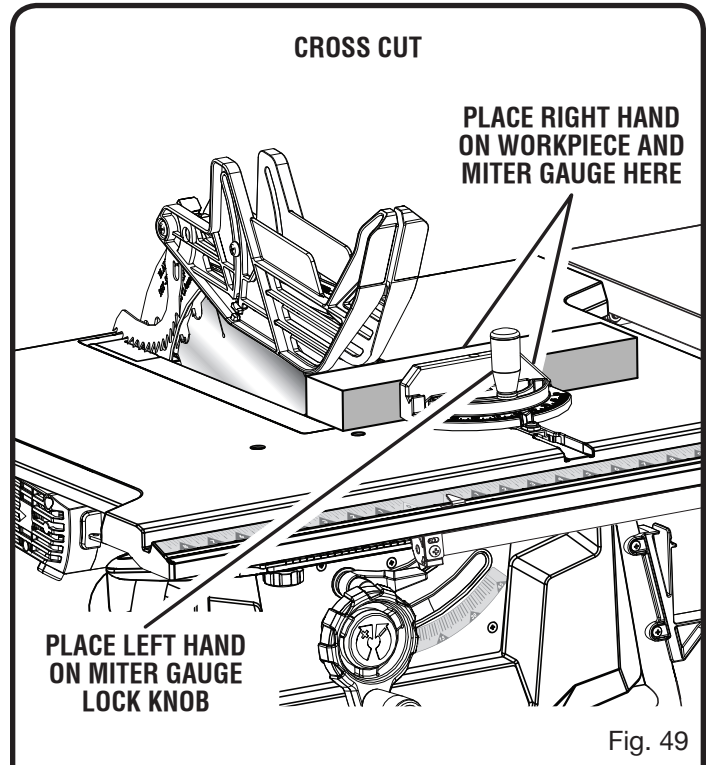
WARNING:

Make sure the blade guard assembly is installed and working properly to avoid serious possible injury.

WARNING:

Using the rip fence as a cutoff gauge when cross cutting will result in kickback which can cause serious personal injury.

- Remove the rip fence.
- Set the blade to the correct depth for the workpiece.
- Set the miter gauge to 0° and tighten the lock knob.
- Make sure the wood is clear of the blade before turning on the saw.
- Press the top button on the switch to turn the saw on.
NOTE: The switch cover does not have to be raised to operate the switch.
- Press the bottom button on the switch to turn the saw off.
NOTE: To prevent unauthorized use, install a padlock (not included) through the holes in the switch and cover as shown in figure 50.
- Let the blade build up to full speed before moving the workpiece into the blade.
- Hold the workpiece firmly with both hands on the miter gauge and feed the workpiece into the blade.
NOTE: The hand closest to the blade should be placed on the miter gauge lock knob and the hand farthest from the blade should be placed on the workpiece.
- When the cut is made, turn the saw off. Wait for the blade to come to a complete stop before removing the workpiece.



OPERATION

To make repetitive cross cuts:

A stop block can be used as a cut-off gauge to make repetitive cross cuts of the same length without having to mark the workpiece for each cut. The end of a stop block should always be in front of the blade. NEVER use the rip fence as a cut-off gauge.

- Remove the rip fence.
- Set the blade to the correct depth for the workpiece.
- Set the miter gauge to 0° and tighten the lock knob.
- Position a 3 in. block of wood at the desired distance from the blade to act as a cut-off gauge.
- Secure the stop block in place using a vice or a clamp.

WARNING:

When secured, the end of the stop block should be in front of the blade. Securing the stop block beyond the front of the blade will result in kickback which can cause serious personal injury.

- Position the workpiece on the miter gauge with the edge flush against the stop block.
- When cutting a long or wide workpiece, place a support the same height as the table surface in front of the saw, behind the saw, and on the sides of the saw as needed.
- Turn the saw on.
- Hold the workpiece firmly with both hands on the miter gauge and feed the workpiece into the blade.

NOTE: The hand closest to the blade should be placed on the miter gauge lock knob and the hand farthest from the blade should be placed on the workpiece.

- When the cut is made, turn the saw off. Wait for the blade to come to a complete stop before removing the cut piece.
- Move the miter gauge back to the front of the saw and position the workpiece for the next cut.
- After the last cut, turn the saw off. Wait for the blade to come to a complete stop and remove the stop block.

MAKING A RIP CUT

See Figure 52 - 53.

WARNING:

Make sure the blade guard assembly is installed and working properly to avoid serious possible injury.

WARNING:

Taper cuts must only be made with a special jig, which is commercially available. Do not attempt a free hand taper cut on this saw. Failure to follow these instructions could result in serious personal injury.

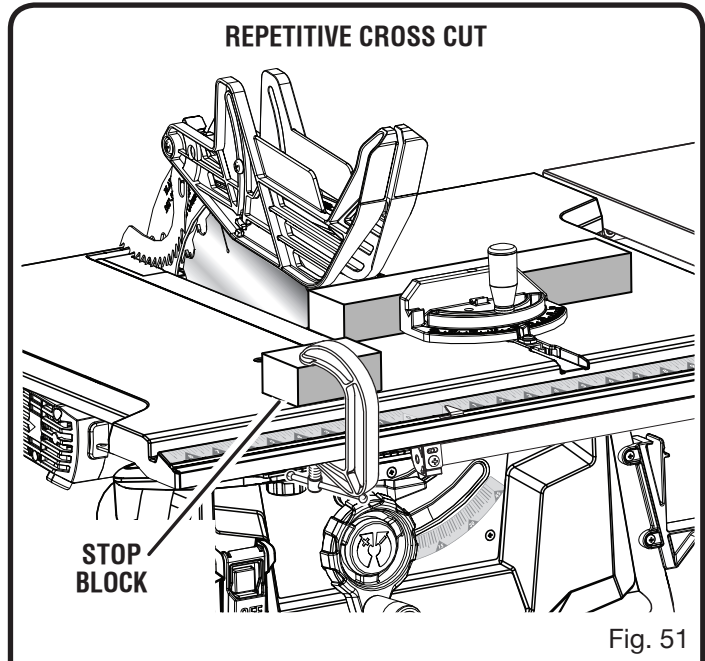


Fig. 51

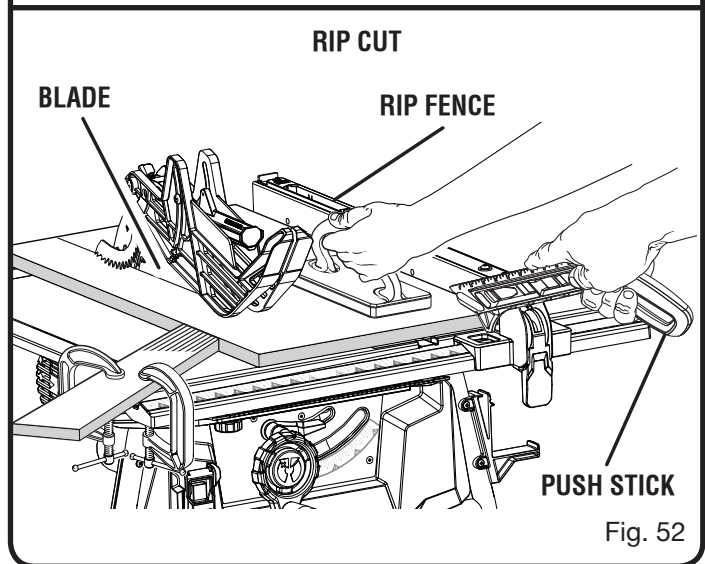


Fig. 52

- Set the blade to the correct depth for the workpiece.
- Position the rip fence the desired distance from the blade for the cut and securely lock the handle.

NOTE: Do not place the rip fence on the left side of the blade when cutting material greater than 3/4 inches thick. Workpieces thicker than 3/4 inches may be unstable and require additional hold downs to ensure stability during cutting.

- When cutting a long or wide workpiece, place a support the same height as the table surface in front of the saw, behind the saw, and on the sides of the saw as needed.
- Install featherboard in the appropriate position for the cut being made.
- Make sure the workpiece is clear of the blade before turning on the saw.

OPERATION

- Turn the saw on.
- Position the workpiece flat on the table with the edge flush against the rip fence. Let the blade build up to full speed before feeding the workpiece into the blade.
- Using a push stick and/or push blocks, slowly feed the workpiece toward the blade. Stand slightly to the side of the workpiece as it contacts the blade to reduce the chance of injury should kickback occur.
- Once the blade has made contact with the workpiece, use the hand closest to the rip fence to guide it. Make sure the edge of the workpiece remains in solid contact with both the rip fence and the surface of the table. If ripping a narrow piece, use a push stick, push blocks and/or a narrow ripping jig to move the piece through the cut and past the blade.
- When the cut is made, turn the saw off. Wait for the blade to come to a complete stop before removing the workpiece.

To make rip cuts narrower than 2 inches:

If a narrow ripping jig is not used, the rip fence included with your saw has a low fence to allow narrow ripping operations.

WARNING:

When making narrow rip cuts always ensure that the piece being cut cannot fall into the throat plate of the saw. If this piece falls into the throat plate it may damage the under table guarding and create a hazardous condition to the operator.

- Unlock the rip fence and place it on the left side of the blade.

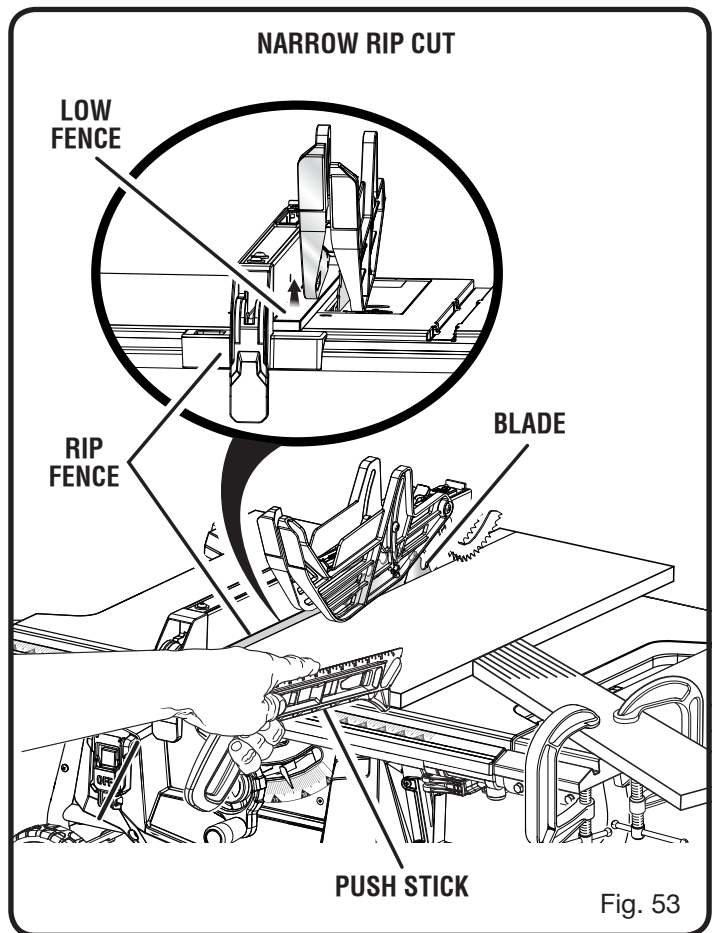
NOTE: The rip fence included with your saw has a low fence. The low fence should face away from the blade when cutting material greater than 3/4 inches thick. The low fence should face toward the blade when cutting thin and/or narrow workpieces.

- Lift the blade guard's left side barrier and lower it onto either the workpiece or the narrow rip fence to ensure coverage of the cutting zone during this operation.
- Secure the rip fence.
- Position the workpiece flat on the table with the edge flush against the low fence.

- Using a push block and/or push stick make the rip cut, see **Making a Rip Cut** earlier in this section.

NOTE: This technique is for making narrow rip cuts on workpieces with a thickness of 3/4 inches or less. To make narrow rip cuts on thicker material use a narrow ripping jig, refer to **How To Make A Jig (For Rip Cutting Narrow Workpiece)** earlier in this section.

NOTE: The cutting operation described above and illustrated in figure 53 will result in the saved piece being between the rip fence and the left side of the blade. Alternatively, you could place the rip fence and the wide portion of the workpiece on the left side of the blade, which would result in the saved piece being on the right.



OPERATION

MAKING A MITER CUT

See Figure 54.

WARNING:

Make sure the blade guard assembly is installed and working properly to avoid possible serious injury.

- Remove the rip fence.
- Set the blade to the correct depth for the workpiece.
- Set the miter gauge to the desired angle and tighten the lock knob.
- Make sure the workpiece is clear of the blade before turning on the saw.
- Turn the saw on.
- Let the blade build up to full speed before moving the workpiece into the blade.
- Hold the workpiece firmly with both hands on the miter gauge and feed the workpiece into the blade.
NOTE: The hand closest to the blade should be placed on the miter gauge lock knob and the hand farthest from the blade should be placed on the workpiece.
- When the cut is made, turn the saw off. Wait for the blade to come to a complete stop before removing the workpiece.

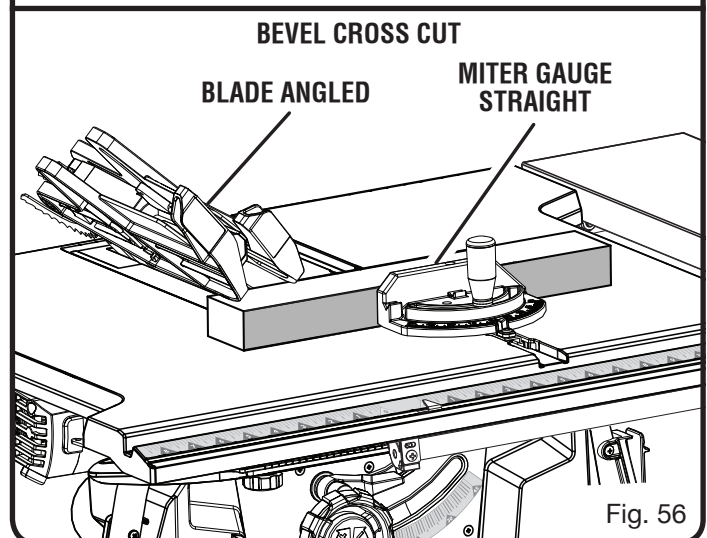
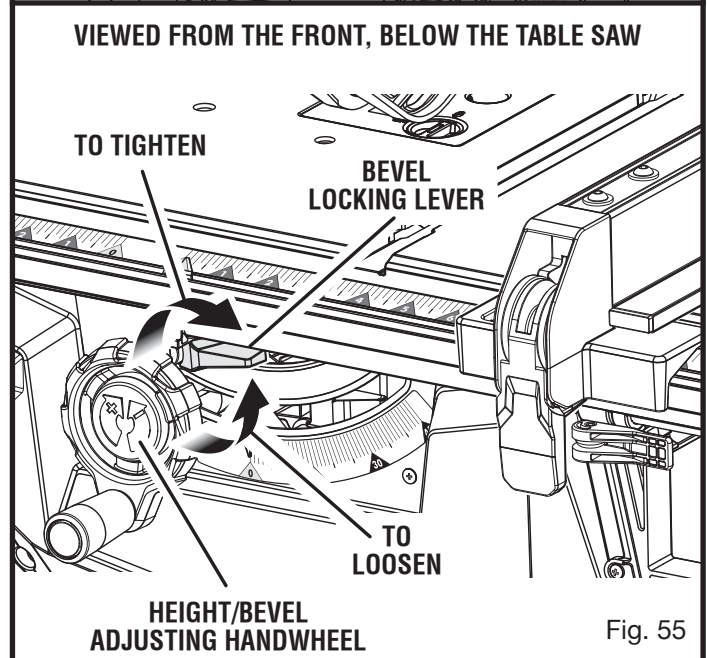
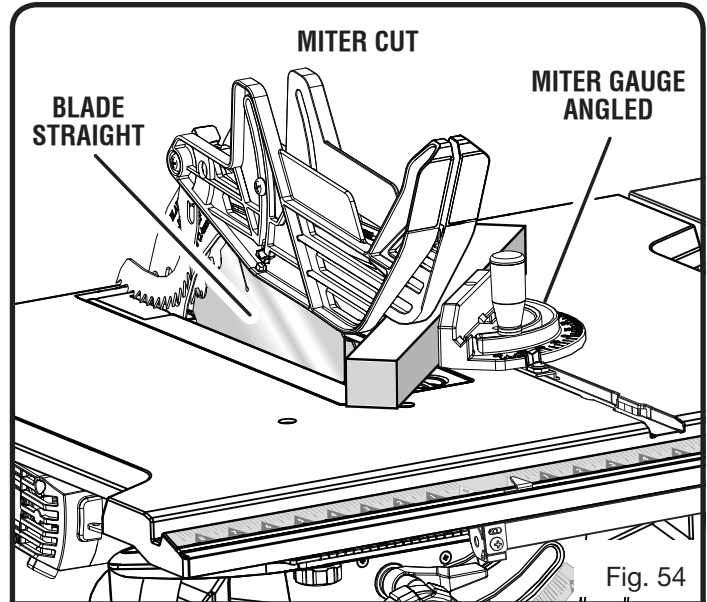
MAKING A BEVEL CROSS CUT

See Figures 55 - 56.

WARNING:

Make sure the blade guard assembly is installed and working properly to avoid possible serious injury.

- Remove the rip fence.
- Unlock the bevel locking lever.
- Adjust the bevel angle to the desired setting.
- Lock the bevel locking lever.
- Set the blade to the correct depth for the workpiece.
- Set the miter gauge to 0° and tighten the lock knob.
- Make sure the workpiece is clear of the blade before turning on the saw.
- Turn the saw on.
- Let the blade build up to full speed before moving the workpiece into the blade.
- Hold the workpiece firmly with both hands on the miter gauge and feed the workpiece into the blade.
NOTE: The hand closest to the blade should be placed on the miter gauge lock knob and the hand farthest from the blade should be placed on the workpiece.
- When the cut is made, turn the saw off. Wait for the blade to come to a complete stop before removing the workpiece.



OPERATION

MAKING A BEVEL RIP CUT

See Figure 57.

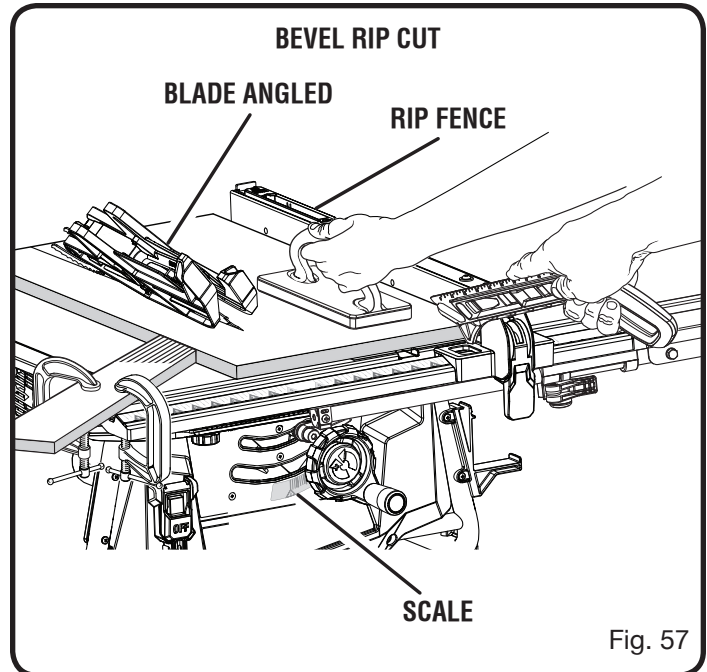
WARNING:

Make sure the blade guard assembly is installed and working properly to avoid serious personal injury.

WARNING:

The rip fence must be on the right side of the blade to avoid trapping the wood and causing kickback. Placement of the rip fence to the left of the blade will result in kickback and the risk of serious personal injury.

- Remove the miter gauge.
- Install featherboard in the appropriate position for the cut being made.
- Unlock the bevel locking lever.
- Adjust the bevel angle to the desired setting.
- Lock the bevel locking lever.
- Set the blade to the correct depth for the workpiece.
- Position the rip fence the desired distance from the blade for the cut and securely lock the handle.
- Make sure the wood is clear of the blade before turning on the saw.
- When cutting a long or wide workpiece, place a support the same height as the table surface in front of the saw, behind the saw, and on the sides of the saw as needed.
- Turn the saw on.
- Position the workpiece flat on the table with the edge flush against the rip fence. Let the blade build up to full speed before feeding the workpiece into the blade.



- Using a push stick and/or push blocks, slowly feed the workpiece toward the blade. Stand slightly to the side of the wood as it contacts the blade to reduce the chance of injury should kickback occur.
- Once the blade has made contact with the workpiece, use the hand closest to the rip fence to guide it. Make sure the edge of the workpiece remains in solid contact with both the rip fence and the surface of the table. If ripping a narrow piece, use a push stick and/or push blocks to move the piece through the cut and past the blade.
- When the cut is made, turn the saw off. Wait for the blade to come to a complete stop before removing the workpiece.

OPERATION

MAKING A COMPOUND (BEVEL) MITER CUT

See Figure 58.

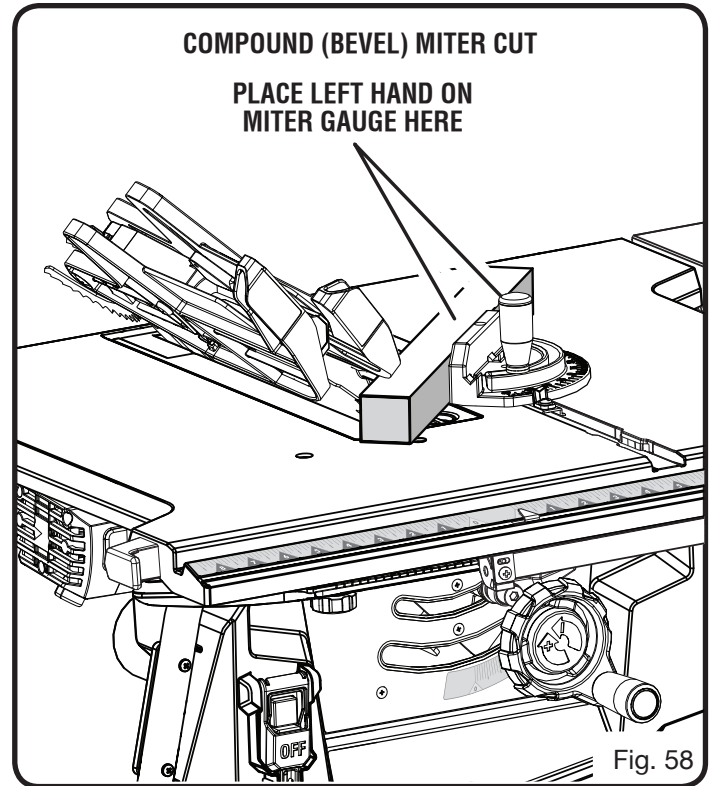
WARNING:

Make sure the blade guard assembly is installed and working properly to avoid possible serious injury.

- Remove the rip fence.
- Unlock the bevel locking lever.
- Adjust the bevel angle to the desired setting.
- Lock the bevel locking lever.
- Set the blade to the correct depth for the workpiece.
- Set the miter gauge to the desired angle and tighten the lock knob.
- Make sure the wood is clear of the blade before turning on the saw.
- Turn the saw on.
- Let the blade build up to full speed before moving the workpiece into the blade.
- Hold the workpiece firmly with both hands on the miter gauge and feed the workpiece into the blade.

NOTE: The hand closest to the blade should be placed on the miter gauge lock knob and the hand farthest from the blade should be placed on the workpiece.

- When the cut is made, turn the saw off. Wait for the blade to come to a complete stop before removing the workpiece.



OPERATION

MAKING A LARGE PANEL CUT

See Figure 59.

Make sure the saw is properly secured to a work surface to avoid tipping from the weight of a large panel.

WARNING:

Make sure the blade guard assembly is installed and working properly to avoid possible serious injury.

WARNING:

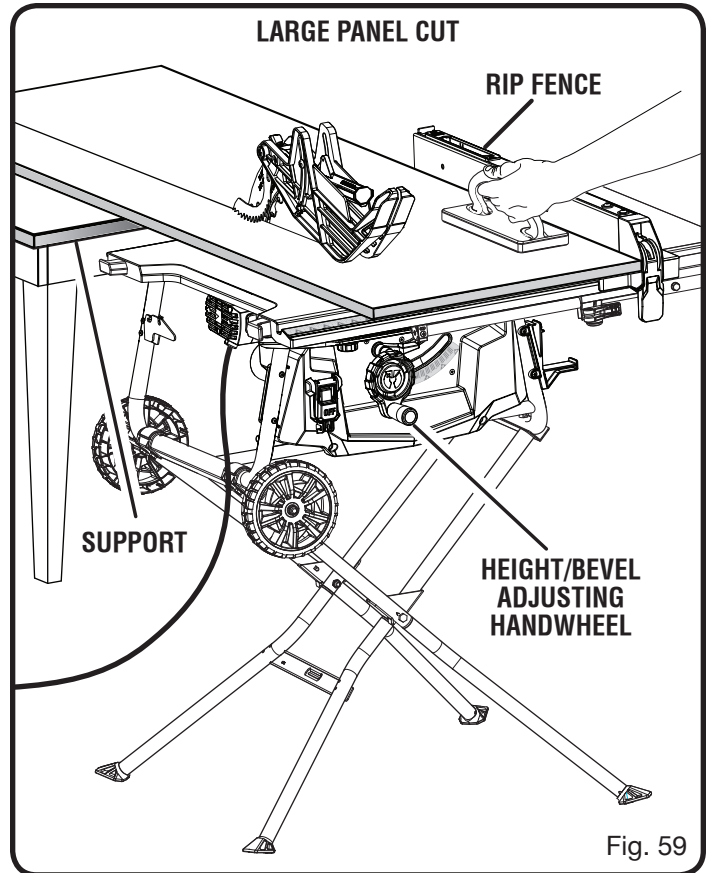
Never make freehand cuts (cuts without the miter gauge or rip fence). Unguided workpieces can result in serious injury.

- Install featherboard in the appropriate position for the cut being made.
- When cutting a long or wide workpiece, place a support the same height as the table surface in front of the saw, behind the saw, and on the sides of the saw as needed.

WARNING:

Improper support of the workpiece on the side and/or outfeed side of the saw could create unexpected movement of the workpiece and/or the saw, resulting in serious personal injury.

- Depending on the shape of the panel, use the rip fence or miter gauge. If the panel is too large to use either the rip fence or the miter gauge, it is too large for this saw.
- Make sure the workpiece does not touch the blade before you turn on the saw.
- Turn the saw on.
- Position the workpiece flat on the table with the edge flush against the rip fence. Let the blade build up to full speed before feeding the workpiece into the blade.



- Using a push stick and/or push blocks, slowly feed the workpiece toward the blade. Stand slightly to the side of the wood as it contacts the blade to reduce the chance of injury should kickback occur.
- Once the blade has made contact with the workpiece, use the hand closest to the rip fence to guide it. Make sure the edge of the workpiece remains in solid contact with both the rip fence and the surface of the table. If ripping a narrow piece, use a push stick and/or push blocks to move the piece through the cut and past the blade.
- When the cut is made, turn the saw off. Wait for the blade to come to a complete stop before removing the workpiece.

OPERATION

MAKING A NON-THROUGH CUT

See Figure 60.

Non-through cuts (made with a standard 10 in. blade) can be made with the grain (ripping) or across the grain (cross cut). The use of a non-through cut is essential to cutting grooves, rabbets, and dadoes. This is the only type cut that is made without the blade guard assembly installed. Make sure the blade guard assembly is reinstalled upon completion of this type of cut. Read the appropriate section which describes the type of cut in addition to this section on non-through or dado cuts. For example, if your non-through cut is a straight cross cut, read and understand the section on straight cross cuts before proceeding.

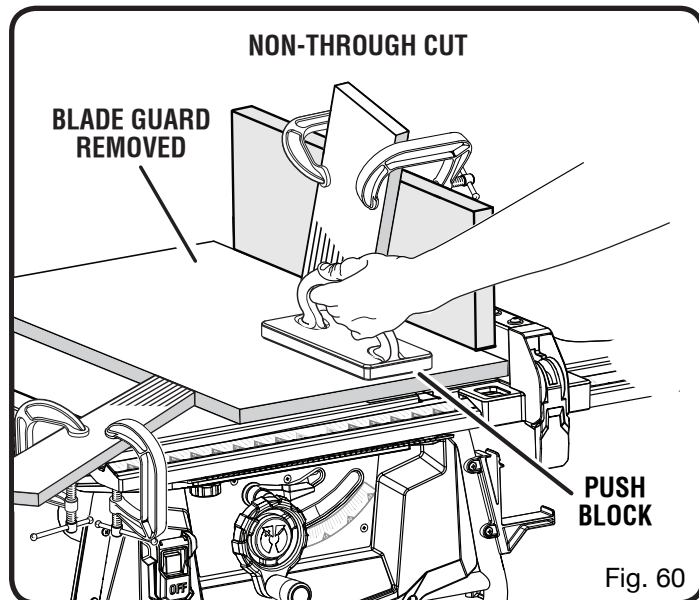
⚠ WARNING:

When making a non-through cut, the blade is covered by the workpiece during most of the cut. Be alert to the exposed blade at the start and finish of every cut to reduce the risk of personal injury.

⚠ WARNING:

Never feed wood with your hands when making any non-through cut such as rabbets or dadoes. To avoid personal injury, always use push blocks, push sticks, and featherboards.

- Unplug the saw.
- Remove the blade guard.
- Place riving knife in “down” position.
- Unlock the bevel locking lever.
- Adjust the bevel angle to 0°.
- Lock the bevel locking lever.
- Set the blade to the correct depth for the workpiece.
- Depending on the shape and size of the wood, use either the rip fence or miter gauge.
- Plug the saw into the power source and turn the saw on.



- Let the blade build up to full speed before moving the workpiece into the blade.
- Always use push blocks, push sticks, and/or featherboards appropriately when making non-through cuts to reduce the risk of serious injury.
- When the cut is made, turn the saw off. Wait for the blade to come to a complete stop before removing the workpiece.

NOTE: A non-through rip cut is shown in the illustration above. To make a non-through cross cut, remove the blade guard and anti-kickback pawls. Place the riving knife in the “down” position and perform the cross cut, see **Making a Cross Cut** earlier in this section.

Once all non-through cuts are completed:

- Unplug the saw.
- Place riving knife in “up” position.
- Reinstall blade guard.

OPERATION

MAKING A DADO CUT

See Figure 61.

An optional dado throat plate is required for this procedure (see the *Accessories* section of this manual and check with the retailer where the table saw was purchased). All blades and dado sets must not be rated less than the speed of this tool. This saw is designed for use with a 6 in. stack dado (up to width of 1/2 in.). Do not use an adjustable dado or molding cutters on this saw.

Rabbeting cuts are dado cuts made on the end of a workpiece. For best results, complete rabbet cuts using a dado stack blade.

NOTE: Use an auxiliary fence when making rabbet cuts to prevent the face of the rip fence from making contact with the dado blade stack during the cutting operation.

WARNING:

When making a non-through cut, the blade is covered by the workpiece during most of the cut. Be alert to the exposed blade at the start and finish of every cut to reduce the risk of personal injury.

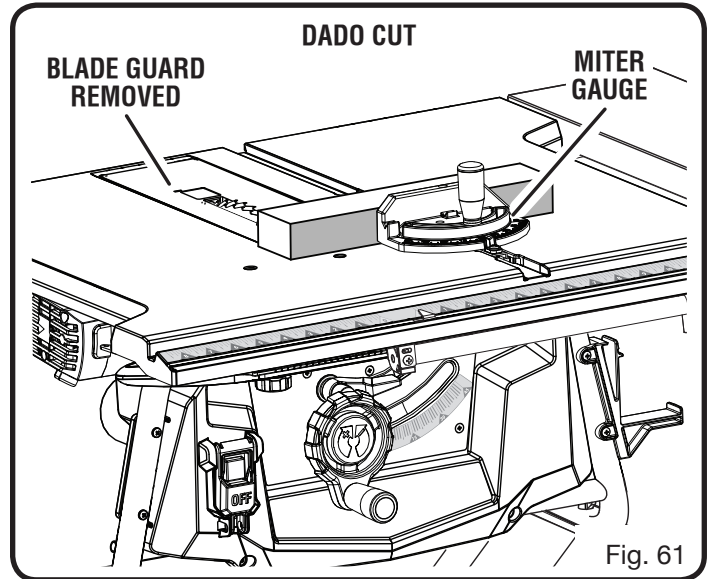
WARNING:

Always put all blade washers in proper location when reinstalling standard blade. Failure to do so can result in possible injury and damage to the tool.

WARNING:

Always use push blocks, push sticks, and/or featherboards when making dado cuts to avoid the risk of serious injury.

- Unplug the saw.
- Remove the blade guard, throat plate, and riving knife.
NOTE: For details on removing and reinstalling the riving knife, see **Cleaning the Riving Knife Lock Lever Plates** in the Maintenance section of this manual.
- Remove the blade nut, blade washer, and saw blade.
NOTE: Always store the blade washer and throat plate in a secure location.
- Mount the dado blade, according to manufacturer instructions, using the blade and chippers appropriate for the desired width of cut.
- Reinstall and securely tighten the blade nut.
NOTE: The blade washer may be used provided the arbor shaft extends slightly beyond the arbor nut.
- Make sure the blade nut is fully engaged and the arbor extends past a securely tightened blade nut.



- Place release lever in locked position.
- Install the dado throat plate and rotate the blade by hand to make sure it turns freely then lower the blade.
- Depending on the shape and size of the wood, use either the rip fence or miter gauge.
- If making a rip cut, install featherboard in the appropriate position for the cut being made.
- Turn the saw on.

NOTE: Make sure the wood does not touch the blade before you turn on the saw. Let the blade build up to full speed before feeding the workpiece into the blade.

- Position the workpiece flat on the table with the edge flush against the rip fence or miter gauge and hold firmly against the saw table.
- Use a push block or push stick to move the wood through the cut past the blade. Never push a small piece of wood into the blade with your hand, always use a push stick. The use of push blocks, push sticks, and featherboards are necessary when making non-through cuts.
- When the cut is made, turn the saw off. Wait for the blade to come to a complete stop before removing the workpiece.

NOTE: A dado cross cut is shown in the illustration above. To make a dado rip cut, remove the blade guard, anti-kickback pawls, throat plate, and riving knife. Install the dado blade and dado throat plate then perform the rip cut, see **Making a Rip Cut** earlier in this section.

Once all dado cuts are completed:

- Unplug the saw.
- Remove the dado throat plate and dado blade.
- Reinstall the riving knife in the “up” position.
- Reinstall standard cutting blade, throat plate, and blade guard.

ADJUSTMENTS

⚠ WARNING:

Before performing any adjustment, make sure the tool is unplugged from the power supply and the top button on the switch is not depressed. Failure to heed this warning could result in serious personal injury.

To avoid unnecessary set-ups and adjustments, a good practice is to check your setups carefully with a framing square and make practice cuts in scrap wood before making finish cuts in good workpieces. Do not start any adjustments until you have checked with a square and made test cuts to be sure adjustments are needed.

REPLACING THE BLADE

See Figures 62 - 64.

Wear gloves and other personal protective equipment when installing and removing a blade only. **DO NOT** wear gloves when operating the saw. **DO NOT** place gloved hand near blade when it is in motion.

Use correct blades. Blade kerf width and blade body thickness must be within the limits stamped on the riving knife.

- Unplug the saw.
- Remove the blade guard and anti-kickback pawls.
- Lower the saw blade and remove the throat plate.
- Lock the bevel locking lever.
- Raise the saw blade to full height.
- Insert the open end of the blade wrench onto the flats on the arbor shaft.
- Insert the closed end of the blade wrench over the blade nut. Holding both wrenches firmly, pull the outside wrench (right side) forward while pushing the inside (left side) to the back of the saw. Remove the blade nut and blade washer.

NOTE: Arbor shaft has right-hand threads.

- Unlock the release locking lever and remove the blade.
- To replace the blade with an accessory blade, follow the instructions provided with the accessory.

To install a standard blade:

- Place the new blade on the arbor shaft (the teeth must point down toward the front of the saw to work properly).
- Place the blade washer and the blade nut over the arbor shaft. Be sure the flat side of the blade washer faces the blade and that all items are snug against the arbor housing. Make sure the blade nut is securely tightened. Do not overtighten.

NOTE: Arbor shaft has right-hand threads.

- Lock the release lever.
- Rotate the blade by hand to make sure it turns freely.
- Lower the saw blade and reinstall the throat plate.
- Check all clearances for free blade rotation.

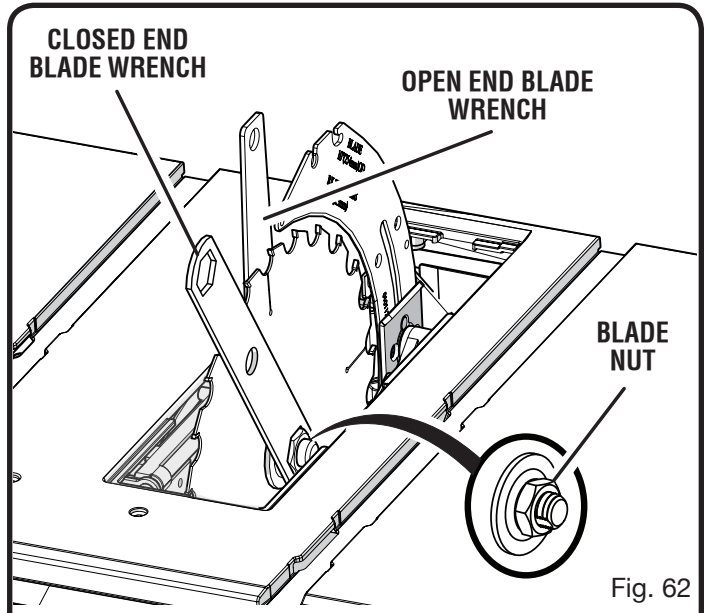


Fig. 62

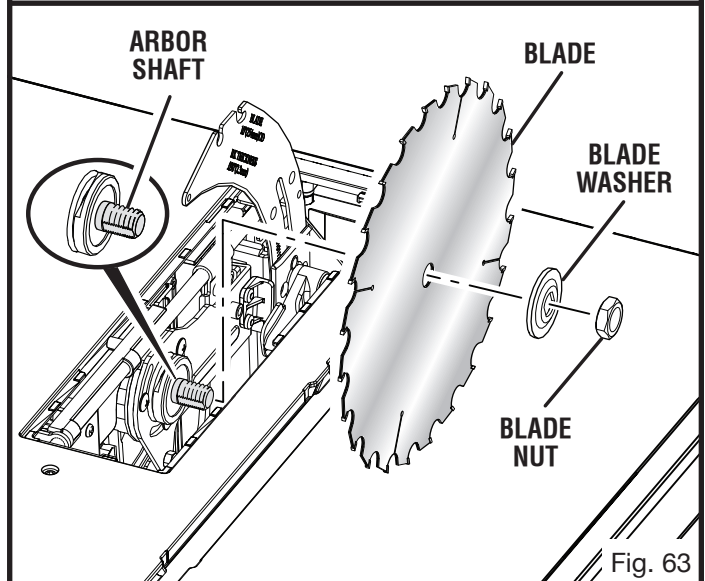


Fig. 63

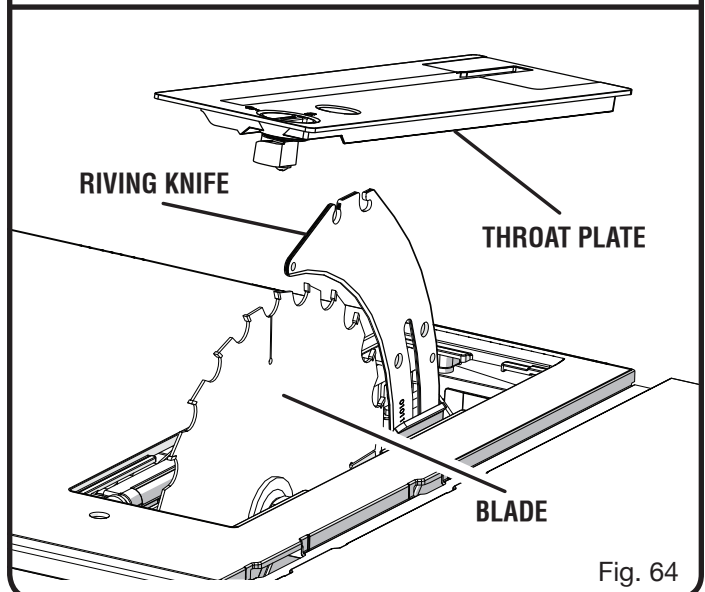


Fig. 64

ADJUSTMENTS

After installation, adjust the rip scale indicator to account for the kerf and thickness of the blade. Refer to **To Set the Rip Fence Scale Indicator to the Blade** in the *Operation* section of this manual. In cutting operations, the scale will be set to the side of the blade where the cut will be measured and made.

TO SET THE BEVEL INDICATOR AND BEVEL STOPS AT 0° AND 45°

See Figures 65 - 66.

The angle settings of the saw have been set at the factory and, unless damaged in shipping, should not require setting during assembly. After extensive use, they may need to be checked.

- Unplug the saw.
- Raise the blade.
- Remove the blade guard assembly.

To check for squareness, 0° bevel:

- Unlock the bevel locking lever.
- Rotate the height/bevel adjusting handwheel until the blade is tilted to the right as far as it will go.
- Lock the bevel locking lever.
- Place the combination square against blade. Make sure square is not touching the tip of one of the saw teeth.

If the blade is not an exact 90° (0° bevel):

- Unlock the bevel locking lever.
- Turn the height/bevel adjusting handwheel until the bevel indicator points to 5°-10°.
- Turn the 0° stop screw 1/4 turn in the clockwise or counterclockwise direction.
- Rotate the height/bevel adjusting handwheel until the blade is tilted to the right as far as it will go.
- Lock the bevel locking lever and check the blade angle.
- Repeat above steps to readjust and recheck blade angle as needed.

Once blade is square to the table (0° bevel):

- Check bevel indicator.
- If indicator is not pointing to the 0° mark on the bevel scale, loosen the indicator adjusting screw and adjust indicator.
- Retighten screw.

To check for squareness, 45° bevel:

- Unlock the bevel locking lever.
- Rotate the height/bevel adjusting handwheel until the blade is tilted to the left as far as it will go.
- Lock the bevel locking lever.
- Place the combination square against blade. Make sure square is not touching the tip of one of the saw teeth.

If the blade is not an exact 45°:

- Unlock the bevel locking lever.
- Turn the height/bevel adjusting handwheel until the bevel indicator points to 35°-40°.

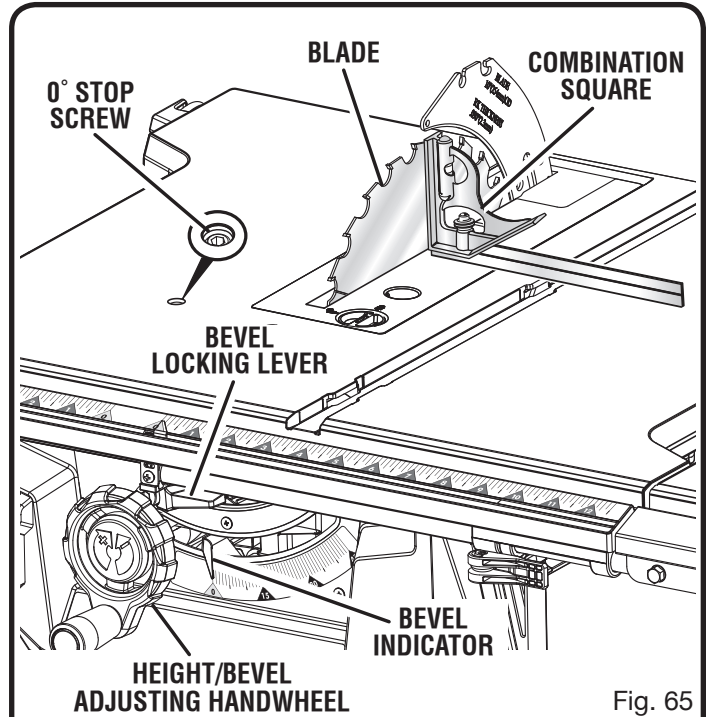


Fig. 65

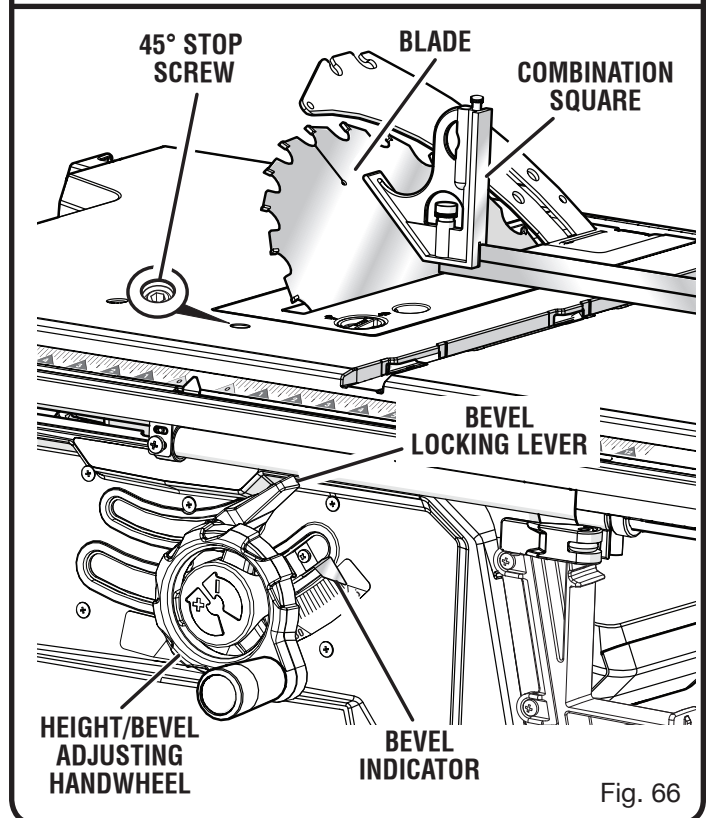


Fig. 66

- Turn the 45° stop screw 1/4 turn in the clockwise or counterclockwise direction.
- Rotate the height/bevel adjusting handwheel until the blade is tilted to the left as far as it will go.
- Lock the bevel locking lever and check the blade angle.
- Repeat above steps to readjust and recheck blade angle as needed.

ADJUSTMENTS

Once blade is 45° to the table:

- Check bevel indicator.
- If indicator is not pointing to the 45° mark on the bevel scale, loosen the indicator adjusting screw and adjust indicator.
- Retighten screws.

When all adjustments are complete:

- Reinstall the blade guard assembly.

TO CHECK THE ALIGNMENT OF THE RIP FENCE TO THE BLADE

See Figure 67.

The rip fence must be parallel to the saw blade and the miter gauge groove.

WARNING:

A misaligned rip fence can cause kickbacks and jams. To reduce the risk of injury, always maintain proper rip fence alignment.

- Unplug the saw.
- Remove the blade guard, riving knife, and anti-kickback pawls. Raise the blade by turning the height/bevel adjusting handwheel clockwise.
- Verify the blade is parallel to the miter gauge groove as described in the **Adjusting the Blade Parallel to the Miter Gauge Groove (Removing Heel)** section in *Operation*.
- Move the rip fence near the saw blade (about three inches away) and lock the rip fence in place with the locking lever.
- Mark beside one of the blade teeth at the front of the blade. Using a ruler, measure the distance from the inside face of the blade tooth to the inside face of the rip fence.

NOTE: For greater accuracy, place the marked blade tooth on top of the ruler.

NOTE: If the rip fence is on the left side of the blade, measure from the low fence to the blade tooth.

- Turn the blade so the marked tooth is at the back.
- Move the ruler to the rear and again measure the distance from the inside face of the blade tooth to the inside face of the rip fence. If the distances are the same, the blade and the rip fence are parallel.

If the distances are different:

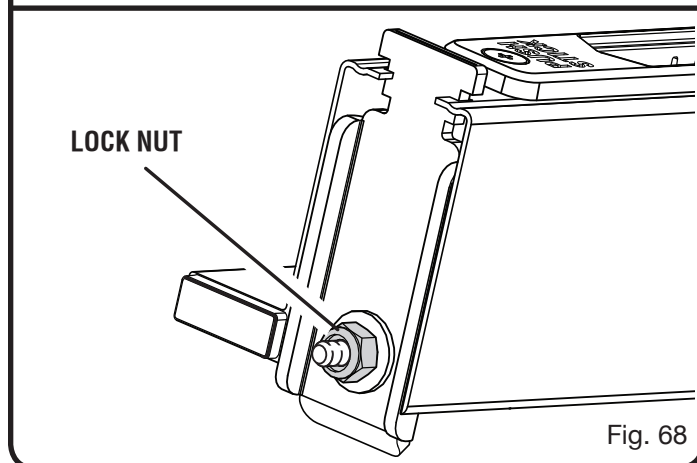
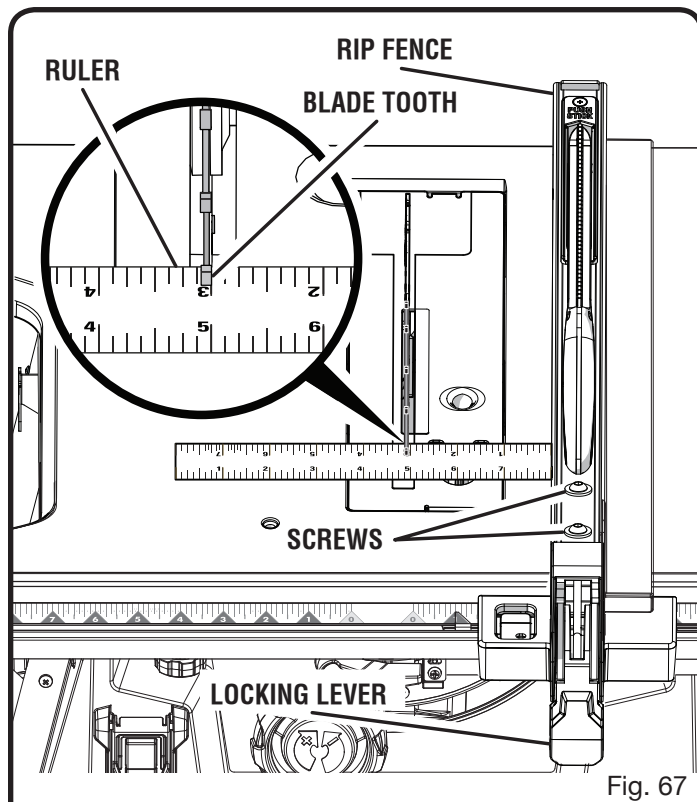
- Unlock the rip fence.
- Loosen the two screws located on top of the rip fence.
- Adjust the rip fence.
- Alternately retighten the screws. Recheck alignment.
- Repeat steps as needed until rip fence is correctly aligned.
- Replace blade guard, riving knife, and anti-kickback pawls.

TO CHECK THE TIGHTNESS OF THE RIP FENCE LOCKING LEVER

See Figure 68.

The locking lever on the rip fence should hold the rip fence securely against the front and back rails. The lever should not be difficult to push down and lock. To assure proper fence lock adjustment:

- Lock the rip fence in place.
- Try moving the fence from side-to-side. If the fence moves, tighten the lock nut 1/4 turn.
- With the rip fence in the locked position, recheck rip fence parallelism with the blade and adjust if necessary.



MAINTENANCE

⚠ WARNING:

When servicing, use only identical replacement parts. Use of any other parts may create a hazard or cause product damage.

⚠ WARNING:

Always wear eye protection with side shields marked to comply with ANSI Z87.1 during product operation. If operation is dusty, also wear a dust mask.

⚠ WARNING:

Before performing any maintenance, make sure the tool is unplugged from the power supply and the top button on the switch is not depressed. Failure to heed this warning could result in serious personal injury.

GENERAL MAINTENANCE

Avoid using solvents when cleaning plastic parts. Most plastics are susceptible to damage from various types of commercial solvents and may be damaged by their use. Use clean cloths to remove dirt, dust, oil, grease, etc.

⚠ WARNING:

Do not at any time let brake fluids, gasoline, petroleum-based products, penetrating oils, etc., come in contact with plastic parts. Chemicals can damage, weaken, or destroy plastic which may result in serious personal injury.

- Periodically check all clamps, nuts, bolts, and screws for tightness and condition. Make sure the throat plate is in good condition and in position.
- Check the blade guard assembly for proper installation, fit, clearances, and for free movement. Some wood types may cause a buildup of dust, pitch, or resin on components, so regular maintenance and cleaning is recommended. Any cleaner used must be appropriate for use on plastic parts.
- **Clean plastic parts only with a soft damp cloth. Do not use any aerosol or petroleum solvents.**
- Protect the blade by cleaning out sawdust from underneath the table and in the blade teeth. Clean blade teeth with a solvent recommended for gum and pitch removal.
- To maintain the table surfaces, fence, and rails, periodically apply paste wax to them and buff to provide smooth functioning. To prevent work from slipping during cutting operation, **do not** wax the working face of the miter gauge.

LUBRICATION

All of the bearings in this tool are lubricated with a sufficient amount of high grade lubricant for the life of the unit under normal operating conditions. Therefore, no further lubrication is required.

CLEANING THE RIVING KNIFE LOCK LEVER PLATES

See Figure 69.

The lock lever on the riving knife may become difficult to lock securely after extended use due to sawdust or debris falling into the plates.

- Unplug the saw.
- Unlock the lever to remove the riving knife.
- Wipe the area with a clean dry cloth or use compressed air to blow away debris.
- Clean the riving knife.
- Reinstall the riving knife and turn the lever to lock the riving knife in place.

NOTE: If the lock lever is difficult to move or will not fully close after the plates have been cleaned, contact customer service.

⚠ WARNING:

Do not use the saw if the lock lever does not fully close. Doing so may cause serious personal injury.

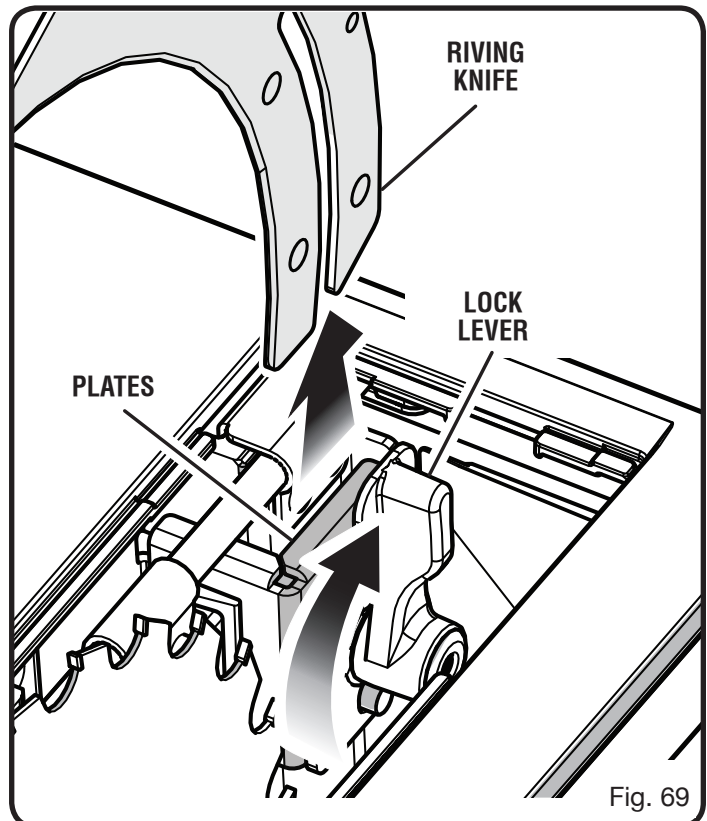


Fig. 69

MAINTENANCE

DUST CHUTE

See Figure 70.

This saw features a dust chute for convenience in discharging sawdust. A standard shop vac can be attached to the chute, located under the back side of the saw.

During periods of extended use, the dust chute should be emptied and cleaned to prevent buildup of sawdust and to make sure there are no obstructions or other small offcuts that may have fallen into the throat plate opening that could hinder maximum performance.

To clean the dust chute:

- Unplug the saw.
- Loosen the screw at the bottom of the dust chute.
- Remove the cover.
- Shake out any sawdust and wipe with a clean dry cloth, as needed.
- Replace the cover and securely tighten the screw.

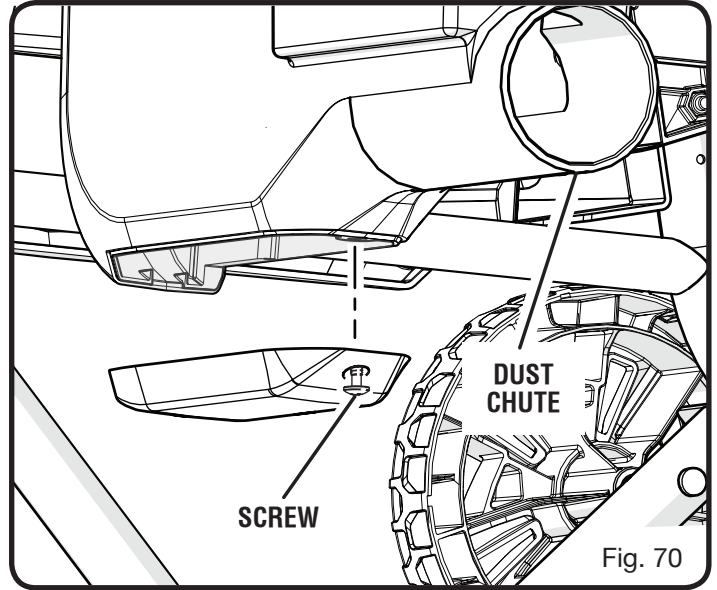


Fig. 70

ACCESSORIES

Look for these accessories where you purchased this product or call 1-800-525-2579:

- Dado Throat Plate089240036001

⚠ WARNING:

Current attachments and accessories available for use with this product are listed above. Do not use any attachments or accessories not recommended by the manufacturer of this product. The use of attachments or accessories not recommended can result in serious personal injury.

TROUBLESHOOTING

Problem	Cause	Solution
Excess vibration.	Blade is out of balance. Blade is damaged. Saw is not mounted securely. Work surface is uneven. Blade is warped.	Replace blade. Replace blade. Tighten all hardware. Reposition on flat surface. Adjust legs of optional stand. Check saw blade installation. Replace blade if necessary.
Rip fence does not move smoothly.	Rip fence not mounted correctly. Rails are dirty or sticky. Clamp screw is out of adjustment.	Remount the rip fence. Clean and wax rails. Adjust clamp screw counterclockwise.
Rip fence does not lock at rear.	Clamp screw is out of adjustment.	Adjust clamp screw clockwise.

TROUBLESHOOTING

Problem	Cause	Solution
Cutting binds or burns work.	Blade is dull. Blade is heeling. Work is fed too fast. Rip fence is misaligned. Workpiece is warped. Riving knife is out of alignment.	Replace or sharpen blade. See Adjusting the Blade Parallel to the Miter Gauge Groove (Removing Heel) . Slow the feed rate. Align the rip fence. Replace the workpiece. Always cut with convex side to table surface. See To Check and Align the Riving Knife and Saw Blade in the Assembly section.
Workpiece edges away from rip fence when ripping.	Blade not properly sharpened or set.	Resharpener or set blade.
Saw does not make accurate 90° or 45° cuts.	Positive stops behind the front panel need adjusting (Bevel Cuts). Miter gauge is misaligned (Miter Cuts).	Adjust positive stops. Adjust the miter gauge.
Height/bevel adjusting hand-wheel is hard to turn.	Gears or screw post behind the front panel are clogged with sawdust.	Clean the gears or screw post.
Saw does not start.	Motor cord or wall cord is not plugged in. Circuit fuse is blown. Circuit breaker is tripped. Cord or switch is damaged.	Plug in motor cord or wall cord. Replace circuit fuse. Reset circuit breaker. Have the cord or switch replaced at your nearest authorized service center.
Blade makes poor cuts.	Blade is dull or dirty. Blade is wrong type for cut being made. Blade is mounted backwards.	Clean, sharpen, or replace blade. Replace with correct type. Remount blade.
Blade does not lower when turning height/bevel adjusting handwheel.	Locking lever is not at full left position.	Move locking lever to left.
Motor labors in rip cut.	Blade not proper for rip cut.	Change blade; rip blade typically has fewer teeth.
Blade coasts for longer than a few seconds after the saw is turned off.	Electric brake may not be working properly.	Contact customer service.

RÈGLES DE SÉCURITÉ GÉNÉRALES

AVERTISSEMENT :

Lire les avertissements de sécurité, les instructions et les précisions et consulter les illustrations fournis avec cet outil électrique. Le fait de ne pas se conformer à l'ensemble des consignes présentées ci-dessous risque d'entraîner des décharges électriques, un incendie et/ou des blessures graves.

Conserver les avertissements et les instructions à des fins de référence ultérieure. Le terme « outil motorisé », utilisé dans tous les avertissements ci-dessous désigne tout outil fonctionnant sur secteur (câblé) ou sur piles (sans fil).

SÉCURITÉ DU LIEU DE TRAVAIL

- **Garder le lieu de travail propre et bien éclairé.** Les endroits encombrés ou sombres sont propices aux accidents.
- **Ne pas utiliser d'outils électriques dans des atmosphères explosives, par exemple en présence de liquides, gaz ou poussières inflammables.** Les outils électriques produisent des étincelles risquant d'enflammer les poussières ou vapeurs.
- **Garder les enfants et badauds à l'écart pendant l'utilisation d'un outil électrique.** Les distractions peuvent causer une perte de contrôle.

SÉCURITÉ ÉLECTRIQUE

- **Les fiches des outils électriques doivent correspondre à la prise secteur utilisée. Ne jamais modifier la fiche, de quelque façon que ce soit. Ne jamais utiliser d'adaptateurs de fiche avec des outils mis à la terre.** Les fiches et prises non modifiées réduisent le risque de choc électrique.
- **Éviter tout contact du corps avec des surfaces mises à la terre, telles que tuyaux, radiateurs, cuisinières et réfrigérateurs.** Le risque de choc électrique est accru lorsque le corps est mis à la terre.
- **Ne pas exposer les outils électriques à l'eau ou l'humidité.** La pénétration d'eau dans ces outils accroît le risque de choc électrique.
- **Ne pas maltraiter le cordon d'alimentation. Ne jamais utiliser le cordon d'alimentation pour transporter l'outil et ne jamais débrancher ce dernier en tirant sur le cordon. Garder le cordon à l'écart de la chaleur, de l'huile, des objets tranchants et des pièces en mouvement.** Un cordon endommagé ou emmêlé accroît le risque de choc électrique.
- **Pour les travaux à l'extérieur, utiliser un cordon spécialement conçu à cet effet.** Utiliser un cordon conçu pour l'usage extérieur pour réduire les risques de choc électrique.
- **S'il est nécessaire d'utiliser l'outil électrique dans un endroit humide, employer un dispositif interrupteur de défaut à la terre (GFCI).** L'utilisation d'un GFCI réduit le risque de décharge électrique.

SÉCURITÉ PERSONNELLE

- **Rester attentif, prêter attention au travail et faire preuve de bon sens lors de l'utilisation de tout outil électrique. Ne pas utiliser cet outil en état de fatigue ou sous l'influence de l'alcool, de drogues ou de médicaments.** Un moment d'inattention pendant l'utilisation d'un outil électrique peut entraîner des blessures graves.
- **Utiliser l'équipement de sécurité. Toujours porter une protection oculaire.** L'équipement de sécurité, tel qu'un masque filtrant, de chaussures de sécurité, d'un casque ou d'une protection auditive, utilisé dans des conditions appropriées réduira le risque de blessures.
- **Éviter les démarrages accidentels. S'assurer que le commutateur est en position d'arrêt avant de brancher l'outil et/ou bloc-piles.** Porter un outil avec le doigt sur son commutateur ou brancher un outil dont le commutateur est en position de marche peut causer un accident.
- **Retirer les clés de réglage avant de mettre l'outil en marche.** Une clé laissée sur une pièce rotative de l'outil peut causer des blessures.
- **Ne pas travailler hors de portée. Toujours se tenir bien campé et en équilibre.** Ceci permettra de mieux contrôler l'outil en cas de situation imprévue.
- **Porter une tenue appropriée. Ne porter ni vêtements amples, ni bijoux. Garder les cheveux, les vêtements et les gants à l'écart des pièces en mouvement.** Les vêtements amples, bijoux et cheveux longs peuvent se prendre dans les pièces en mouvement.
- **Si les outils sont équipés de dispositifs de dépoussiérage, s'assurer qu'ils sont connectés et correctement utilisés.** L'usage de ces dispositifs de dépoussiérage peut réduire les dangers présentés par la poussière.
- **Malgré votre expérience acquise par l'utilisation fréquente des outils, soyez toujours vigilant et respectez les principes de sécurité relatifs aux outils.** Il s'agit d'une fraction de seconde pour qu'un geste irréfléchi puisse causer de graves blessures.

UTILISATION ET ENTRETIEN DES OUTILS ÉLECTRIQUES

- **Ne pas forcer l'outil. Utiliser l'outil approprié pour l'application.** Un outil approprié exécutera le travail mieux et de façon moins dangereuse s'il est utilisé dans les limites prévues.
- **Ne pas utiliser l'outil si le commutateur ne permet pas de le mettre en marche ou de l'arrêter.** Tout outil qui ne peut pas être contrôlé par son commutateur est dangereux et doit être réparé.
- **Avant de procéder à un réglage, à un changement d'accessoire ou au rangement de l'outil, débranchez la prise de la source d'alimentation ou, si le bloc-piles est amovible, retirez-le de l'outil.** Ces mesures de sécurité préventives réduisent les risques de démarrage accidentel de l'outil.
- **Ranger les outils motorisés hors de la portée des enfants et ne laisser personne n'étant pas familiarisé avec l'outil ou ces instructions utiliser l'outil.** Dans les mains de

RÈGLES DE SÉCURITÉ GÉNÉRALES

personnes n'ayant pas reçu des instructions adéquates, les outils sont dangereux.

- **Entretien des outils motorisés et accessoires. Vérifier qu'aucune pièce mobile n'est mal alignée ou bloquée, qu'aucune pièce n'est brisée et s'assurer qu'aucun autre problème ne risque d'affecter le bon fonctionnement de l'outil. En cas de dommages faire réparer l'outil avant de l'utiliser de nouveau.** Beaucoup d'accidents sont causés par des outils mal entretenus.
- **Garder les outils bien affûtés et propres.** Des outils correctement entretenus et dont les tranchants sont bien affûtés risquent moins de se bloquer et sont plus faciles à contrôler.
- **Utiliser l'outil, les accessoires et embouts, etc. conformément à ces instructions pour les applications**

pour lesquelles ils sont conçus, en tenant compte des conditions et du type de travail à exécuter. L'usage d'un outil motorisé pour des applications pour lesquelles il n'est pas conçu peut être dangereux.

- **Gardez les poignées et les surfaces de prise sèches, propres et exemptes d'huile et de graisse.** Des poignées et des surfaces de prise glissantes empêchent la manipulation et le contrôle sécuritaires de l'outil dans des circonstances imprévues.

DÉPANNAGE

- **Les réparations doivent être confiées à un technicien qualifié, utilisant exclusivement des pièces identiques à celles d'origine.** Ceci assurera le maintien de la sécurité de l'outil.

RÈGLES DE SÉCURITÉ SCIE À TABLE

PROTÈGE-LAME, COUTEAU DIVISEUR ET CLIQUETS ANTIREBOND

- **Laisser les protecteurs en place. Les protecteurs doivent être en bon état de marche et être bien installés.** Un protecteur lâche, endommagé ou qui ne fonctionne pas correctement doit être réparé ou remplacé.
- **Toujours utiliser le protège-lame, le couteau diviseur et les cliquets antirebond pour chaque coupe complète.** Pour les coupes complètes où la lame coupe l'épaisseur entière de la pièce à travailler, le protecteur et les autres dispositifs de sécurité aident à réduire le risque de blessures.
- **Immédiatement rattacher le système de protection après une coupe (tels que les biseaux, les rainures ou les refentes) qui requiert d'enlever le protecteur, le couteau diviseur ou les cliquets antirebond.** Le protège-lame, le couteau diviseur et les cliquets antirebond aident à réduire le risque de blessures.
- **S'assurer que la lame ne touche pas au protège-lame, au couteau diviseur ou à la pièce à travailler avant d'allumer l'interrupteur.** Un contact accidentel de ces éléments avec la lame pourrait causer des conditions dangereuses.
- **Ajuster le couteau diviseur conformément aux instructions du manuel.** Un mauvais espacement, positionnement ou alignement peut rendre le couteau diviseur inefficace en réduisant la probabilité d'un rebond.
- **Pour que le couteau diviseur et les cliquets antirebond fonctionnent, ils doivent être pris dans la pièce à travailler.** Le couteau diviseur et les cliquets antirebond sont inefficaces lorsqu'on coupe des pièces à travailler trop petites pour être prises avec le couteau diviseur et les cliquets antirebond. Sous ces conditions, un rebond ne peut être empêché par couteau diviseur et les cliquets antirebond.
- **Utiliser la bonne lame pour le couteau diviseur.** Pour que le couteau diviseur fonctionne correctement, le diamètre de la lame doit correspondre au bon couteau, le corps de la lame doit être plus étroit que l'épaisseur du couteau et l'épaisseur de la coupe de la lame doit être plus large que l'épaisseur du couteau.

PROCÉDURES DE COUPE

- **DANGER : Ne jamais placer les doigts ou les mains à proximité de la lame ou dans la ligne de coupe.** Un moment d'inattention ou un glissement peut diriger votre main vers la lame, ce qui peut provoquer des blessures graves.
- **Pousser la pièce à travailler vers la lame dans le sens inverse de la rotation.** Pousser la pièce à travailler dans la même direction que la rotation de la lame au-dessus de la table peut tirer la pièce, et votre main, vers la lame.
- **Ne jamais utiliser un guide d'onglet pour pousser le morceau la pièce à travailler lors de la refente et ne pas utiliser le guide longitudinal comme arrêt de longueur lorsqu'on coupe transversalement avec le guide d'onglet.** Guider la pièce à travailler à la fois avec le guide longitudinal et le guide d'onglet augmente la probabilité de grippage et de rebond.
- **Lors de la refente, toujours appliquer la force pour pousser la pièce à travailler entre le guide et la lame. Utiliser un pousoir lorsque la distance entre le guide et la lame est inférieure à 150 mm, et utiliser un bloc pousoir lorsque la distance est inférieure à 50 mm.** Les dispositifs d'aide au travail garderont vos mains à une distance sécuritaire de la lame.
- **Utiliser seulement le pousoir fourni par le fabricant ou construit conformément aux instructions.** Ce pousoir offre une distance suffisante entre la main et la lame.
- **Ne jamais utiliser un pousoir endommagé ou coupé.** Un pousoir endommagé peut briser et faire glisser votre main sur la lame.
- **Ne pas faire de coupe « à main levée ». Toujours utiliser le guide longitudinal ou le guide d'onglet pour placer et guider la pièce à travailler.** « À main levée » signifie l'utilisation des mains pour soutenir ou guider la pièce à travailler au lieu d'un guide longitudinal ou d'onglet. La coupe « à main levée » provoque un mauvais alignement, du grippage et un rebond.
- **Ne jamais tenter de passer autour ou par-dessus une lame qui tourne.** Tenter d'atteindre la pièce à travailler

RÈGLES DE SÉCURITÉ SCIE À TABLE

ainsi peut provoquer un contact accidentel avec la lame en mouvement.

- **Assurer un soutien auxiliaire pour la pièce à travailler à l'arrière ou sur les côtés de la scie à table pour les morceaux longs ou larges pour qu'ils restent de niveau.** Les pièces à travailler longues ou larges ont tendance à pivoter sur le bord de la table, provoquant une perte de contrôle, ou un grippage ou un rebond de la lame.
- **Pousser la pièce à travailler à une vitesse égale. Ne pas plier ou tourner la pièce à travailler. Si un blocage survient, éteindre immédiatement l'outil, le débrancher et dégager le blocage.** Un blocage de la lame en raison du morceau peut provoquer un rebond ou faire caler le moteur.
- **Ne pas retirer les morceaux de matériau coupé pendant que la lame tourne.** Le matériau peut rester coincé entre le guide ou l'intérieur du protège-lame et la lame, tirant vos doigts vers la lame. Éteindre la scie et attendre que la lame cesse de bouger avant de retirer le matériau.
- **Utiliser un guide auxiliaire en contact avec le dessus de la table lors de la refente de pièces à travailler de moins de 2 mm d'épaisseur.** Une pièce à travailler mince peut se coincer sous le guide longitudinal et créer un rebond.

REBOND

Le rebond est une réaction soudaine de la pièce à travailler en raison d'une lame coincée, pincée ou d'une ligne de coupe mal alignée avec la lame, ou lorsqu'une partie de la pièce à travailler grippage entre la lame et le guide longitudinal ou un autre objet fixe.

Plus fréquemment durant un rebond, la pièce à travailler est soulevée de la table par la portion arrière de la lame et projetée vers l'utilisateur.

Le rebond est le résultat d'une mauvaise utilisation ou de procédures d'utilisation ou de conditions incorrectes, et peut être évité en prenant les précautions nécessaires énumérées ci-dessous.

- **Ne jamais se tenir directement aligné avec la lame. Toujours placer le corps du même côté de la lame que le guide.** Un rebond peut propulser la pièce à travailler à grande vitesse vers quiconque se tient devant et aligné avec la lame.
- **Ne jamais tenter de passer par-dessus ou vers l'arrière de la lame pour tirer ou soutenir la pièce à travailler.** Un contact accidentel avec la lame peut se produire ou un rebond peut attirer vos doigts sur la lame.
- **Ne jamais tenir la pièce à travailler et appuyer dessus contre la lame en mouvement.** Appuyer la pièce à travailler contre la lame crée un grippage et un rebond.
- **Aligner le guide afin qu'il soit parallèle avec la lame.** Un guide mal aligné peut pincer la pièce à travailler contre la lame et causer un rebond.
- **Utiliser un guide de pression pour guider la pièce à travailler contre la table et le guide lorsqu'on fait des coupes non complètes, par exemple pour les biseaux, les rainures ou les refentes.** Un guide de pression aide à contrôler la pièce à travailler s'il y a un rebond.

- **Faire très attention lorsqu'on procède à une coupe dans les zones cachées des pièces à travailler assemblées.** La lame peut couper des objets qui provoqueront un rebond.
- **Soutenir les grands panneaux afin de minimiser le risque de pinçage et de rebond.** Les grands panneaux ont tendance à fléchir sous leur propre poids. Placer des soutiens sous toutes les portions du panneau qui dépassent de la table.
- **Faire très attention lorsqu'on coupe une pièce à travailler qui est tordue ou gauchie, qui contient des nœuds ou qui n'a pas un bord droit pour guider avec un guide d'onglet ou longitudinal.** Une pièce à travailler qui est tordue ou gauchie ou qui contient des nœuds est instable et cause un désalignement du trait de coupe, du grippage et des rebonds.
- **Ne jamais couper plus d'une pièce à travailler, empilées verticalement ou horizontalement.** La lame pourrait agripper une ou plusieurs pièces et provoquer un rebond.
- **Lorsqu'on redémarre la scie avec la lame dans la pièce à travailler, centrer la lame sur le trait de coupe afin que les dents de la lame ne soient pas prises dans le matériau.** Si la scie grippe, elle peut soulever la pièce à travailler et provoquer un rebond lorsque la lame est redémarrée.
- **Garder les lames propres, affûtées et bien installées. Ne jamais utiliser de lames gauchies ou qui ont des dents craquées ou brisées.** Les lames affûtées et bien installées minimisent le grippage, le calage et le rebond.

FONCTIONNEMENT DE LA SCIE À TABLE

- **Éteindre la scie à table et débrancher le cordon d'alimentation lorsqu'on retire la plaque de lumière, qu'on change la lame ou qu'on fait des ajustements au couteau diviseurs, aux cliquets antirebond ou au protège-lame, et lorsque l'appareil est laissé sans surveillance.** Ces mesures de précaution éviteront des accidents.
- **Ne jamais laisser la scie à table en marche sans surveillance. Éteindre l'outil et ne pas le laisser tant que la lame n'est pas complètement arrêtée.** Une scie qui fonctionne sans surveillance est un danger non contrôlé.
- **Placer la scie à table dans un endroit bien éclairé et de niveau, où on peut avoir pied et garder un bon équilibre. Elle devrait être installée dans un endroit assez spacieux pour facilement manipuler la taille de la pièce à travailler.** Les endroits restreints et sombres, et même les planchers glissants, appellent les accidents.
- **Nettoyer et retirer la sciure régulièrement de sous la scie à table ou du dépoussiéreur.** La sciure est un combustible et peut s'enflammer.
- **La scie à table doit être fixe.** Une scie à table qui n'est pas bien fixée peut bouger ou basculer.
- **Retirer les outils, les bouts de bois, etc. de la table avant d'allumer la scie.** Une distraction ou un blocage potentiel peuvent être dangereux.
- **Toujours utiliser les lames avec les bonnes taille et forme (en diamant vs ronde) des trous de l'arbre.** Les lames qui ne correspondent pas aux éléments de fixation de la scie tourneront de manière déportée, provoquant une perte de contrôle.

RÈGLES DE SÉCURITÉ SCIE À TABLE




- **Ne jamais utiliser un élément de fixation, soit un collet, une rondelle de lame, un écrou ou un boulon, endommagé ou incorrect.** Ces éléments sont conçus particulièrement pour la scie, pour un fonctionnement sécuritaire et un rendement optimal.
- **Ne jamais se tenir debout sur la scie à table, ne pas l'utiliser comme tabouret.** Si l'outil bascule ou qu'on entre en contact accidentellement avec la lame, des blessures graves pourraient survenir.
- **S'assurer que la lame est installée pour tourner dans la bonne direction. Ne pas utiliser de meules, de brosse métallique ou de roue de ponçage sur une scie à table.** Une lame mal installée ou l'utilisation d'accessoires non recommandés peut causer des blessures graves.

RÈGLES DE SÉCURITÉ SUPPLÉMENTAIRES







- **Veiller à bien connaître l'outil.** Lire attentivement le manuel d'utilisation. Apprendre les applications et les limites de la scie, ainsi que les risques spécifiques relatifs à son utilisation.
- **Assurer la sécurité des enfants en installant des cadenas et des disjoncteurs ou en retirant les clés de contact.**
- **Utiliser un cordon prolongateur adéquat.** S'assurer que le cordon prolongateur est en bon état. Utiliser exclusivement un cordon d'une capacité suffisante pour supporter le courant de fonctionnement de l'outil. Un cordon de capacité insuffisante causerait une baisse de la tension de ligne, entraînant une perte de puissance et une surchauffe. Un calibre de fil (A.W.G) d'au minimum **14** est recommandé pour un cordon prolongateur de 7,5 m (25 pi) ou moins. En cas de doute, utiliser un cordon du calibre immédiatement supérieur. Moins le numéro de calibre est élevé, plus la capacité du fil est grande.
- **Toujours porter une protection oculaire avec écrans latéraux certifiée conforme à la norme ANSI Z87.1.** Si cette précaution n'est pas prise, des objets peuvent être projetés dans les yeux et causer des lésions graves.
- **Assujettir les pièces.** Dans la mesure du possible, utiliser des serre-joints ou un étau pour maintenir la pièce. Cette pratique réduit les risques et laisse les deux mains libres.
- **Utiliser les accessoires recommandés.** Voir les accessoires recommandés dans le manuel d'utilisation. L'utilisation d'accessoires inadéquats peut causer des blessures.
- **N'utiliser que les lames appropriées.** Ne pas utiliser de lames dont le trou n'est pas de la taille correcte. Ne jamais utiliser de rondelles ou boulons de lame défectueux ou de type incorrect. La taille maximum de lame pouvant être utilisée sur cette scie est de 254 mm (10 po).
- **Vérifier l'état des pièces.** Avant d'utiliser l'outil de nouveau examiner soigneusement les pièces et dispositifs de protection qui semblent endommagés afin de déterminer s'ils fonctionnent correctement et s'ils remplissent les fonctions prévues. Vérifier l'alignement des pièces mobiles, s'assurer qu'aucune pièce n'est bloquée ou cassée, vérifier la fixation de chaque pièce et s'assurer qu'aucun autre problème ne risque d'affecter le bon fonctionnement de l'outil. Pour éviter les risques de blessures, toute protection ou pièce endommagée doit être correctement réparée ou remplacée dans un centre de réparations agréé.
- **Ne jamais laisser l'outil en fonctionnement sans surveillance.** Couper l'alimentation électrique. Ne pas s'éloigner de l'outil avant qu'il soit parvenu à un arrêt complet.
- **Porter une protection respiratoire.** Porter un masque facial ou respiratoire si le travail produit de la poussière.
- **Porter une protection auditive.** Porter une protection auditive durant les périodes d'utilisation prolongée.
- **Pour les travaux à l'extérieur, utiliser un cordon spécialement conçu à cet effet, marqué « W-A » ou « W ».** Ces cordons réduisent les risques de choc électrique.
- **Toujours garder la garde de lame et l'couteau diviseur (diviseur) en place et en bon état de fonctionnement.**
- **Garder les mains à l'écart de la zone de coupe.** Garder les mains à l'écart des lames. Ne pas mettre les mains sous le travail, ou autour ou au dessus de la lame lorsqu'elle est en rotation. Ne pas essayer de retirer une pièce coupée pendant que la lame est en rotation.
- **Éviter les opérations difficiles et les positions de mains inconfortables qui, en cas de glissement, pourraient placer votre main contre la lame.**
- **Ne pas atteindre la zone derrière la lame avec une main depuis les deux côtés de la lame de scie, pour soutenir la pièce à travailler, retirer les bouts de bois ou toute autre raison lorsque la lame tourne.**
- **La scie à table doit être installée sur un plan de travail ferme, tel qu'un établi ou un support à pieds qui positionne la scie à la hauteur de la taille.** De plus, fournir un support adéquat tel que des tables auxiliaires, des tables de soutien à rouleaux, des supports de sortie, etc., lors de la découpe de pièces lourdes, larges ou longues. Les pièces à travailler qui sont lourdes, larges ou longues peuvent basculer, si elles ne sont pas soutenues en toute sécurité. Si la pièce à travailler ou à découper bascule, elle peut soulever le protège-lame ou être projetée par la lame tournante.
- **Si la pièce à travailler ou la lame se bloque, éteindre la scie à table.** Attendre que toutes les pièces mobiles s'arrêtent et débrancher la prise de sa source d'alimentation. Libérer ensuite les matériaux coincés. Une fois les matériaux retirés, vérifier que la lame est parallèle à la rainure du guide à onglet et que le couteau diviseur et la lame sont alignés. Si un blocage a lieu pendant une coupe longitudinale, vérifier que le guide longitudinal est parallèle à la lame. Ajuster au besoin.

SYMBOLES

Les termes de mise en garde suivants et leur signification ont pour but d'expliquer le degré de risques associé à l'utilisation de ce produit.

SYMBOLE	SIGNAL	SIGNIFICATION
	DANGER :	Indique une situation dangereuse qui, si elle n'est pas évitée, aura pour conséquences des blessures graves ou mortelles.
	AVERTISSEMENT :	Indique une situation dangereuse qui, si elle n'est pas évitée, pourrait entraîner des blessures graves ou mortelles.
	ATTENTION :	Indique une situation dangereuse qui, si elle n'est pas évitée, pourrait entraîner des blessures légères ou de gravité modérée.
	AVIS :	(Sans symbole d'alerte de sécurité) Indique les informations jugées importantes sans toutefois représenter un risque de blessure (ex. : messages concernant les dommages matériels).

Certains des symboles ci-dessous peuvent être utilisés sur l'outil. Veiller à les étudier et à apprendre leur signification. Une interprétation correcte de ces symboles permettra d'utiliser l'outil plus efficacement et de réduire les risques.

SYMBOLE	NOM	DÉSIGNATION / EXPLICATION
	Symbole d'alerte de sécurité	Indique un risque de blessure potentiel.
	Lire le manuel d'utilisation	Pour réduire les risques de blessures, l'utilisateur doit lire et veiller à bien comprendre le manuel d'utilisation avant d'utiliser ce produit.
	Protection oculaire	Toujours porter une protection oculaire avec écrans latéraux certifiée conforme à la norme ANSI Z87.1.
	Symbole Mains à l'écart	Le non-respect de cette mise en garde peut entraîner des blessures graves.
	Avertissement concernant l'humidité	Ne pas exposer à la pluie ou l'humidité.
V	Volts	Tension
A	Ampères	Intensité
Hz	Hertz	Fréquence (cycles par seconde)
min	Minutes	Temps
~	Courant alternatif	Type de courant
n_0	Vitesse à vide	Vitesse de rotation à vide
	Construction de classe II	Construction à double isolation
.../min	Par minute	Tours, coups, vitesse périphérique, orbites, etc., par minute

CARACTÉRISTIQUES ÉLECTRIQUES

DOUBLE ISOLATION

La double isolation est un dispositif de sécurité utilisé sur les outils à moteur électriques, éliminant le besoin de cordon d'alimentation habituel à trois fils avec terre. Toutes les pièces métalliques exposées sont isolées des composants internes du moteur par l'isolation protectrice. Les outils à double isolation ne nécessitent pas de mise à la terre.

⚠ AVERTISSEMENT :

Le système à double isolation est conçu pour protéger l'utilisateur contre les chocs électriques causés par une rupture du câblage interne de l'outil. Prendre toutes les précautions de sécurité normales pour éviter les chocs électriques.

NOTE : La réparation d'un outil à double isolation exigeant des précautions extrêmes ainsi que la connaissance du système, elle ne doit être confiée qu'à un réparateur qualifié. En ce qui concerne les réparations, nous recommandons de confier l'outil au centre de réparation le plus proche. Utiliser exclusivement des pièces d'origine pour les réparations.

CONNEXIONS ÉLECTRIQUES

Cet outil est équipé d'un moteur électrique de précision. Il doit être branché uniquement sur **une alimentation 120 V, c.a. (courant résidentiel standard), 60 Hz**. Ne pas utiliser cet outil sur une source de courant continu (c.c.). Une chute de tension importante causerait une perte de puissance et une surchauffe du moteur. Si l'outil ne fonctionne pas une fois branché, vérifier l'alimentation électrique.

FICHES POLARISÉES

Voir la figure 1.

Pour réduire les risques de choc électrique, cet outil est équipé d'une fiche polarisée (une broche est plus large que l'autre). Cette fiche ne peut être branchée sur une prise polarisée que dans un sens. Si la fiche ne peut pas être insérée dans la prise, l'inverser. Si elle ne peut toujours pas être insérée, faire installer une prise adéquate par un électricien qualifié. Ne pas modifier la fiche, de quelque façon que ce soit.

CORDONS PROLONGATEURS

Lors de l'utilisation d'un outil électrique à grande distance d'une prise secteur, veiller à utiliser un cordon prolongateur d'une capacité suffisante pour supporter l'appel de courant de l'outil. Un cordon de capacité insuffisante causerait une baisse de la tension de ligne, entraînant une perte de puissance et une surchauffe. Se reporter au tableau ci-dessous pour déterminer le calibre minimum de fil requis pour un cordon donné. Utiliser exclusivement des cordons à gaine cylindrique homologués par Underwriter's Laboratories (UL).

Pour le travail à l'extérieur, utiliser un cordon prolongateur spécialement conçu à cet effet. Ce type de cordon porte l'inscription « WA » ou « W » sur sa gaine.

Avant d'utiliser un cordon prolongateur, vérifier que ses fils ne sont ni détachés ni exposés et que son isolation n'est ni coupée, ni usée.

**Intensité nominale (sur la plaquette signalétique de l'outil)

Longueur du cordon	Calibre de fil (A.W.G.)					
	0-2,0	2,1-3,4	3,5-5,0	5,1-7,0	7,1-12,0	12,1-16,0
25'	16	16	16	16	14	14
50'	16	16	16	14	14	12
100'	16	16	14	12	10	—

**Utilisé sur circuit de calibre 12 – 20 A

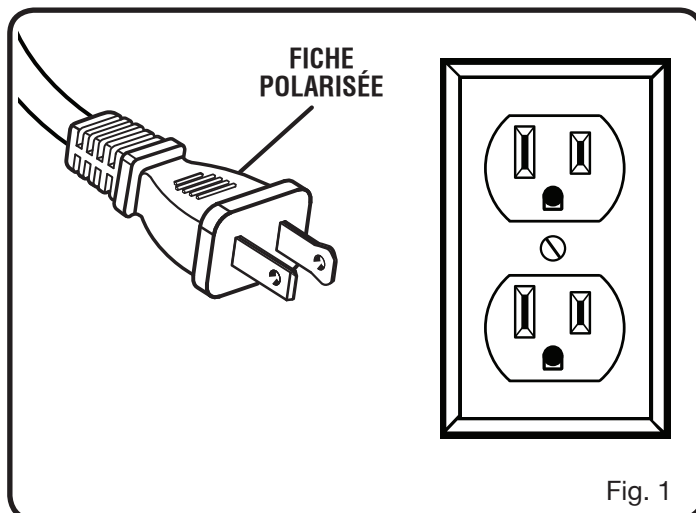
NOTE: A.W.G. = American Wire Gauge

⚠ AVERTISSEMENT :

Maintenir le cordon prolongateur à l'écart de la zone de travail. Lors du travail avec un cordon électrique, placer le cordon de manière à ce qu'il ne risque pas de se prendre dans les pièces de bois, outils et autres obstacles. Ne pas prendre cette précaution peut entraîner des blessures graves.

⚠ AVERTISSEMENT :

Vérifier l'état des cordons prolongateurs avant chaque utilisation. Remplacer immédiatement tout cordon endommagé. Ne jamais utiliser un outil dont le cordon d'alimentation est endommagé, car tout contact avec la partie endommagée pourrait causer un choc électrique et des blessures graves.



GLOSSAIRE

Griffes antirebond (scies à table et radiales)

Dispositifs qui, s'ils sont correctement installés et entretenus, sont conçus pour empêcher que la pièce coupée soit propulsée en direction de l'opérateur durant la refente.

Axe

Pièce sur laquelle une lame ou un outil de coupe est monté.

Coupe en biseau

Coupe effectuée avec la lame sur toute position autre que perpendiculaire (90°) à la table.

Chanfrein

Coupe en biseau effectuée sur l'extrémité (ou une partie de l'extrémité) d'une pièce, de manière à ce qu'il présente un angle autre que 90°.

Coupe composée

Coupe transversale présentant un angle d'onglet et un angle de biseau.

Coupe transversale

Coupe ou profilage effectué en travers du grain de la pièce.

Tête de coupe (raboteuses et raboteuses/dégauchisseuses)

Pièce rotative munie de lames réglables. La tête de coupe enlève du matériau de la pièce.

Rainage (scies à table et scies à onglets composés)

Entaille qui produit une rainure ou gorge de forme rectangulaire dans la pièce de bois.

Cale-guide (scies à table)

Dispositif utilisé pour faciliter le contrôle de la pièce à couper en la guidant contre la table ou le guide lors des coupes longitudinales.

pi/min ou coups/min

Nombre de pieds par minute (ou coups par minute). Terme utilisé en référence au mouvement de la lame.

Main levée

Exécution d'une coupe sans que la pièce soit soutenue par un guide longitudinal, un guide d'onglet ou autre dispositif.

Gomme

Résidu collant formé par la sève du bois.

Talon

Alignement de la lame par rainure du guide à onglet.

Trait de scie

Quantité de matériau éliminé par la lame lors de coupes traversantes ou l'entaille produite lors de coupes non traversantes ou partielles.

Rebond

Réaction dangereuse se produisant lorsque la lame est pincée ou bloquée et projetant la pièce en train d'être coupée dans le sens de la rotation de la lame.

Coupe d'onglet

Coupe effectuée avec la lame sur toute position autre que perpendiculaire (90°) à la table.

Coupes non traversantes (scies à table et scies à onglets composés)

Toute coupe avec laquelle la lame ne traverse pas complètement la pièce. Il s'agit de faire une coupe sans que la lame coupe la pièce à travailler en deux.

Trou pilote (perceuses à colonne et scie à découper)

Petit trou pratiqué dans une pièce servant de guide pour assurer la précision d'un trou de plus grand diamètre ou pour l'insertion d'une lame de scie à découper.

Blocs poussoirs (pour dégauchisseuses/raboteuses)

Dispositifs utilisés pour pousser le matériau contre la tête de coupe lors de toute opération. Ce dispositif aide à tenir la main de l'opérateur bien à l'écart de la lame.

Blocs poussoirs et bâtons poussoirs (pour scies à table)

Dispositifs utilisés pour pousser le matériau contre la lame lors de la coupe. Toujours utiliser un poussoir (et non un bloc) pour effectuer une refente étroite sans l'aide d'un gabarit ou d'un autre accessoire semblable. Il est possible d'utiliser un bloc pour effectuer une refente étroite si un gabarit ou un autre accessoire semblable est utilisé. Ce dispositif aide à tenir la main de l'opérateur bien à l'écart de la lame.

Feuillure

Entaille située au bout ou sur le bord de la pièce de bois qui y produit une rainure ou une gorge de forme rectangulaire.

Refente (scies à table et scies à ruban)

Opération de coupe destinée à réduire l'épaisseur d'une pièce pour en produire plusieurs, plus minces.

Résine

Résidu collant formé par la sève du bois durcie.

Révolutions par minute (min ou RPM)

Nombre de rotations effectuées par un objet en une minute.

Coupe longitudinale ou refente (scies à table)

Opération de coupe dans le sens de la longueur de la pièce et normalement dans le sens du grain du bois.

Couteau diviseur/écarteur (scies à table)

Pièce de métal légèrement plus mince que la lame, gardant le trait de scie ouvert pour empêcher le rebond.

Trajectoire de la lame de scie

Zone au-dessus, au-dessous, en avant ou en arrière de la lame. En ce qui concerne la pièce, la partie qui sera ou a été coupée par la lame.

Sifflet (raboteuses)

Enfoncement à l'extrémité d'une pièce causé par les lames de la tête de coupe lorsque la pièce n'est pas correctement soutenue.

Effiler la Coupe

Une coupe où le matériel est coupé à une ancho différente au début de la coupe de la fin.

Coupe traversante

Toute opération de coupe avec laquelle la lame traverse toute l'épaisseur de la pièce. Cette sorte de coupe séparera une pièce à travailler en deux morceaux.

Pièce ou matériau

L'article sur lequel le travail est effectué.

Table

Surface sur laquelle la pièce repose lors des opérations de coupe, de perçage, de rabotage ou de ponçage.

CARACTÉRISTIQUES

FICHE TECHNIQUE

Axe de lame..... 16 mm (5/8 po)
 Diamètre de la lame..... 254 mm (10 po)
 Inclinaison de la lame..... 0° - 45°
 Capacité de rainure..... 12,7 mm (1/2 po)
 Tension..... 120 V, c.a. seulement, 60 Hz

Alimentation..... 15 A
 Vitesse à vide..... 4 700/min (RPM)
 Profondeur de coupe à 0° :..... 76 mm (3 po)
 Profondeur de coupe à 45° :..... 64 mm (2-1/2 po)

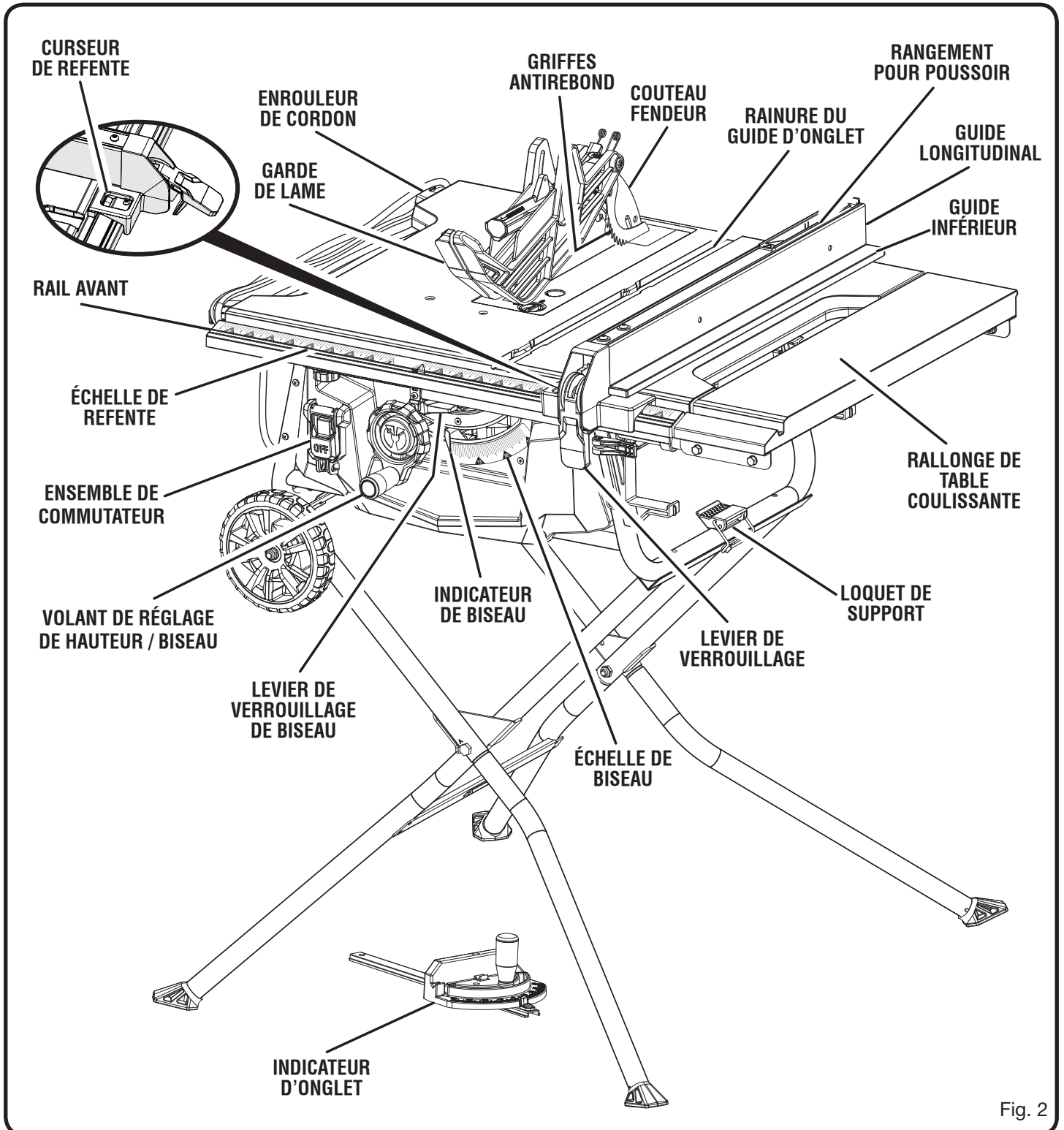


Fig. 2

CARACTÉRISTIQUES

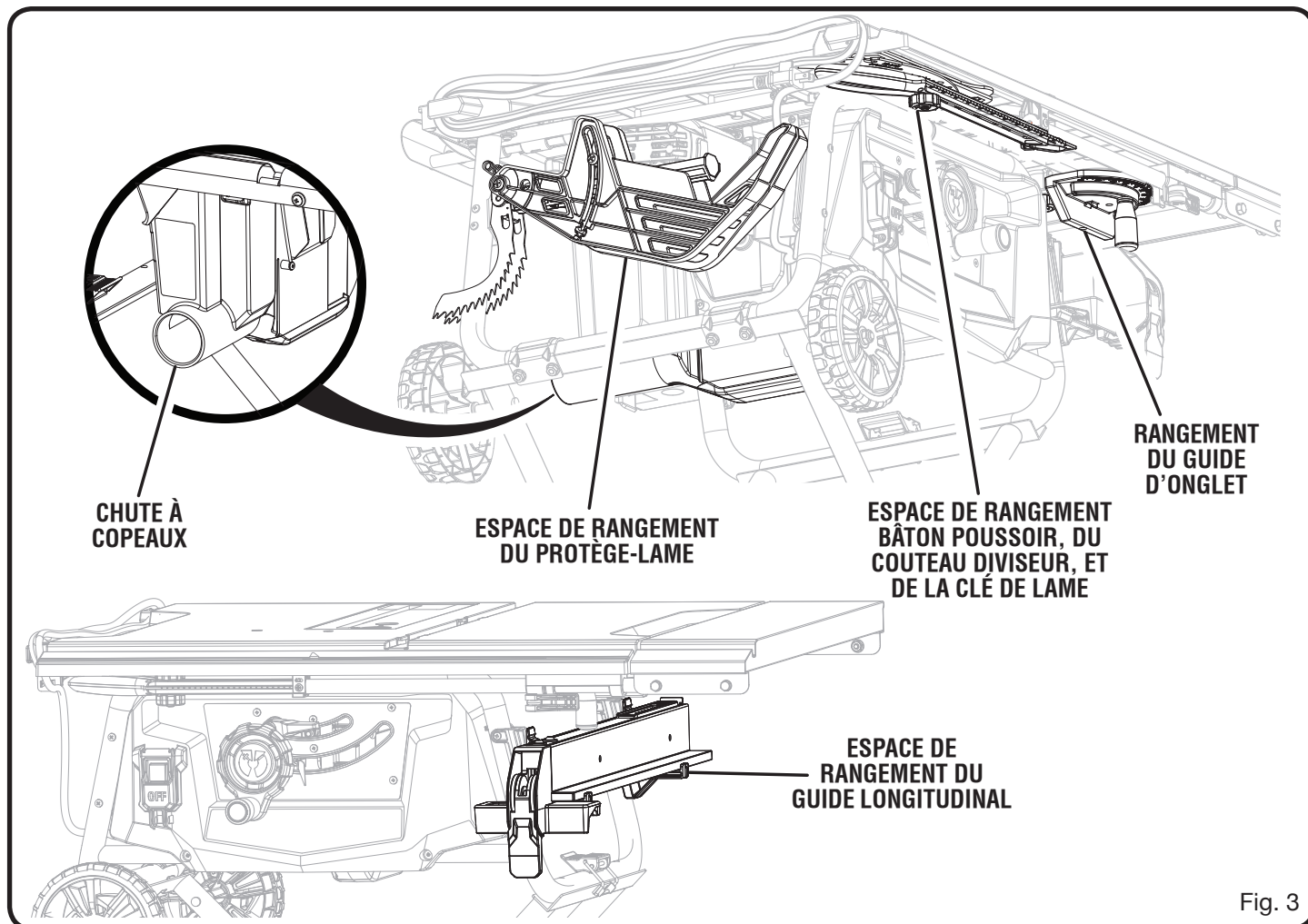


Fig. 3

POUR SE FAMILIARISER AVEC LA SCIE À TABLE

Voir les figure 2 et 3.

L'utilisation sûre de ce produit exige une compréhension des renseignements figurant sur l'outil et contenus dans le manuel d'utilisation, ainsi qu'une bonne connaissance du projet entrepris. Avant d'utiliser ce produit, se familiariser avec toutes ses fonctions et règles de sécurité.

RANGEMENT DES ACCESSOIRES - Des espaces de rangement pratiques pour le bâton poussoir, le couteau diviseur, les clés, le protège-lame, le guide à onglet, et le guide longitudinal se trouve sous la table à scie.

GRIFFES ANTIREBOND - Le rebond pose un danger : la pièce de bois est projetée vers l'utilisateur. Les dents des griffes antirebond sont orientées à l'écart de la pièce. Si la pièce est tirée en direction de l'opérateur, les griffes mordent dans le bois pour empêcher ou réduire le rebond. Les griffes antiretour peuvent être contournées.

LEVIER DE VERROUILLAGE DE BISEAU - Ce levier, situé juste au-dessous de la surface de la table de travail à l'avant de la scie, verrouille le réglage d'angle de la lame.

ÉCHELLE DE BISEAU - Le échelle facile à lire du devant de la scie indique l'angle exact de la lame.

LAME - Pour une performance maximum, il est recommandé d'utiliser la lame combinée à carbure de 10 po (254 mm) fournie avec la scie. La lame est élevée et abaissée au moyen du volant

de réglage de hauteur / biseau. Les angles de biseau sont verrouillés au moyen du levier de verrouillage de biseau. Des lames supplémentaires de même haute qualité sont disponibles pour des tâches spécifiques telles que le sciage en long. Vous pouvez trouver toute l'information chez votre concessionnaire local. La trait de scie lame doit être dans les limites affranchies sur le couteau diviseur.

⚠ AVERTISSEMENT :

Ne pas utiliser de lames dont la vitesse de rotation nominale est inférieure à celle de l'outil. Le non-respect de cet avertissement pourrait entraîner des blessures graves.

GARDE DE LAME - Toujours laisser la détachable garde de lame abaissée sur la lame pour des coupes transversantes.

CHUTE À COPEAUX - La chute à copeaux intégrée facilite l'élimination de la sciure. Un tuyau d'aspirateur peut être fixé à la chute à copeaux.

FREIN ÉLECTRIQUE - Un frein électrique est fourni pour arrêter la rotation de la lame après avoir éteint la scie.

VOLANT DE RÉGLAGE DE HAUTEUR / BISEAU - Situé sur le devant de la scie, ce volant permet d'abaisser et relever la lame pour effectuer les réglages ou les remplacements. Il permet également de régler facilement l'angle de biseau.

CARACTÉRISTIQUES

GUIDE D'ONGLET - Le guide d'onglet aligne le bois pour les coupes transversales. Le rapporteur facile à lire indique l'angle exact pour la coupe de l'onglet.

RAINURE DE GUIDE D'ONGLET - Le guide d'onglet se déplace dans le rainure de la table de scie.

SUPPORT DE SORTIE - Cette rallonge située à l'arrière de l'outil, procure un support additionnel lors de la coupe de pièces longues.

GUIDE LONGITUDINAL - Un robuste guide métallique, verrouillé par une poignée, guide la pièce à couper. Le rangement pour le pousoir est situé sur le guide longitudinal.

NOTE : Ne pas placer le guide longitudinal à gauche de la lame, lors de la découpe d'un matériau avec une épaisseur supérieure à 19,05 mm (3/4 po).

ÉCHELLE DE REFENTE - Sur le rail avant, l'échelle de refente facile à lire donne des mesures précises pour les coupes longitudinales.

COUTEAU DIVISEUR - Pièce de détachable métal de l'ensemble de garde de lame, légèrement plus mince que la lame, gardant le trait de scie ouvert pour empêcher le rebond. Quand dans le hors du passage tête de coupe, ou « en haut » la position, le c'est plus haut que la lame de scie. Quand dans le coupes non traversante, ou « en bas » la position, le c'est au dessous des dents de lame de scie.

RALLONGE DE TABLE COULISSANTES - Situées de droit côté de la table de scie, ces rallonge procurent un support additionnel lors de la coupe de pièces larges.

ENSEMBLE DE COMMUTATEUR - La scie à table est dotée d'un ensemble de commutateur facile d'accès se trouvant au-dessous du rail avant. Pour verrouiller le commutateur, installer un cadenas (non compris) à travers les trous du commutateur et du cache. S'assurer que le commutateur est inutilisable. Si le commutateur est toujours utilisable avec le cadenas installé, il faut utiliser un cadenas avec un étrier plus large. Ranger la clé du cadenas dans un autre endroit.

COMPOSANTS FONCTIONNELS

La partie supérieure de la lame traverse la table et elle est entourée par un insert appelé plaque à gorge. La hauteur de la lame est ajustée par un volant de réglage situé à l'avant de la scie. Pour faciliter le travail avec des planches de grande taille, la scie à table a des rails sur chaque côté. Des instructions détaillées pour les coupes élémentaires se trouvent dans la section *Utilisation* de ce manuel : coupes transversales, coupes d'onglet, coupes en biseau et coupes composées.

Le guide longitudinal permet de positionner les pièces à couper dans le sens de la longueur. Une échelle graduée à l'avant de la table de la scie indique la distance entre le guide longitudinal et la lame.

Il est impératif d'utiliser la garde de lame pour toutes les coupes traversantes. L'ensemble de garde de lame comprend : le couteau diviseur, les griffes antirebond et la garde de lame.

ENSEMBLE DE COMMUTATEUR

Voir la figure 4.

Ce produit est équipé d'un ensemble de commutateur avec dispositif de verrouillage intégré. Ce dispositif est conçu pour empêcher l'utilisation non autorisée et potentiellement dangereuse par des enfants ou personnes non compétentes.

NOTE : Il n'est pas nécessaire de soulever le cache du commutateur pour utiliser le commutateur.

POUR METTRE LA SCIE EN MARCHÉ :

- Appuyer sur le bouton supérieur du commutateur pour mettre la scie en marche.

NOTE : Si l'alimentation CA est déconnectée ou interrompue lorsque la scie tourne, celle-ci s'éteindra. Pour redémarrer la scie, rétablir l'alimentation CA et appuyer sur le bouton supérieur du commutateur.

POUR ARRÊTER LA SCIE :

- Appuyer sur le bouton inférieur du commutateur pour éteindre la scie.

POUR VERROUILLER LA SCIE :

- Une fois la scie éteinte, installer un cadenas (non compris) à travers les trous du commutateur et du cache.

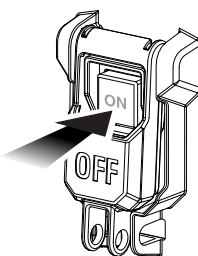
⚠ AVERTISSEMENT :

TOUJOURS s'assurer que la pièce n'est pas en contact avec la lame avant de mettre le commutateur de l'outil en position de marche. Ne pas prendre cette précaution peut causer le rebond de la pièce en direction de l'opérateur et entraîner des blessures graves.

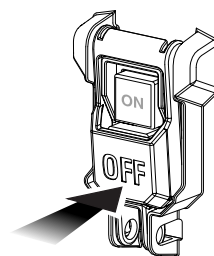
⚠ AVERTISSEMENT :

Pour réduire le risque de démarrage accidentel, toujours veiller à ce que le bouton supérieur du commutateur ne soit pas enfoncé avant de brancher l'outil dans une source d'alimentation.

COMMUTATEUR EN POSITION DE MARCHÉ



COMMUTATEUR EN POSITION D'ARRÊT



COMMUTATEUR EN POSITION VERROUILLÉE

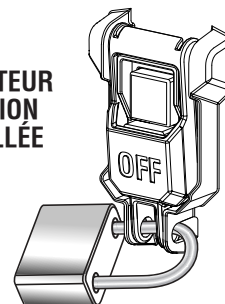


Fig. 4

OUTILS NÉCESSAIRES

Les outils suivants (non inclus ou dessiné pour escalader) sont nécessaires pour effectuer l'assemblage et les réglages :

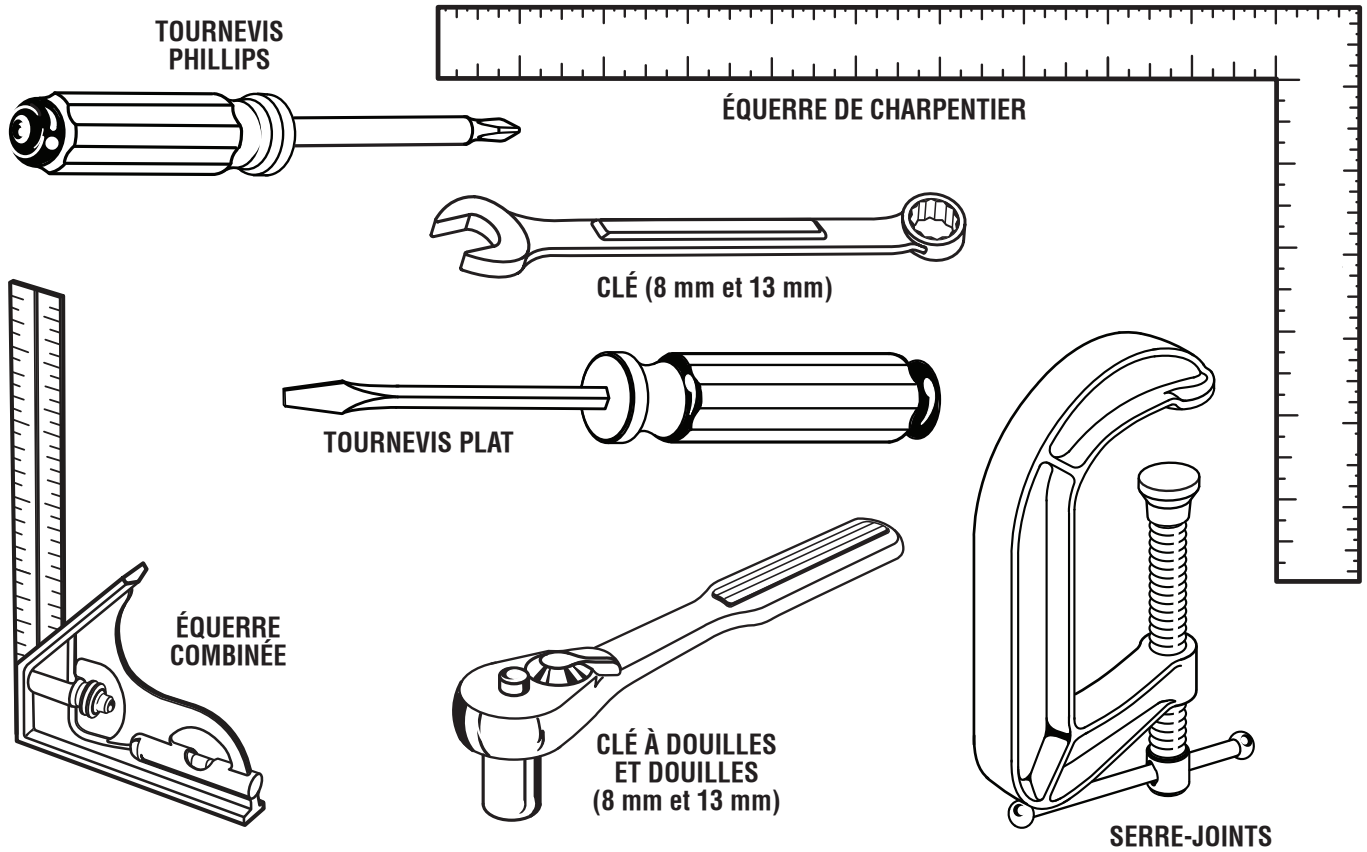


Fig. 5

PIÈCES DÉTACHÉES

Les articles suivant sont inclus avec la scie à table :

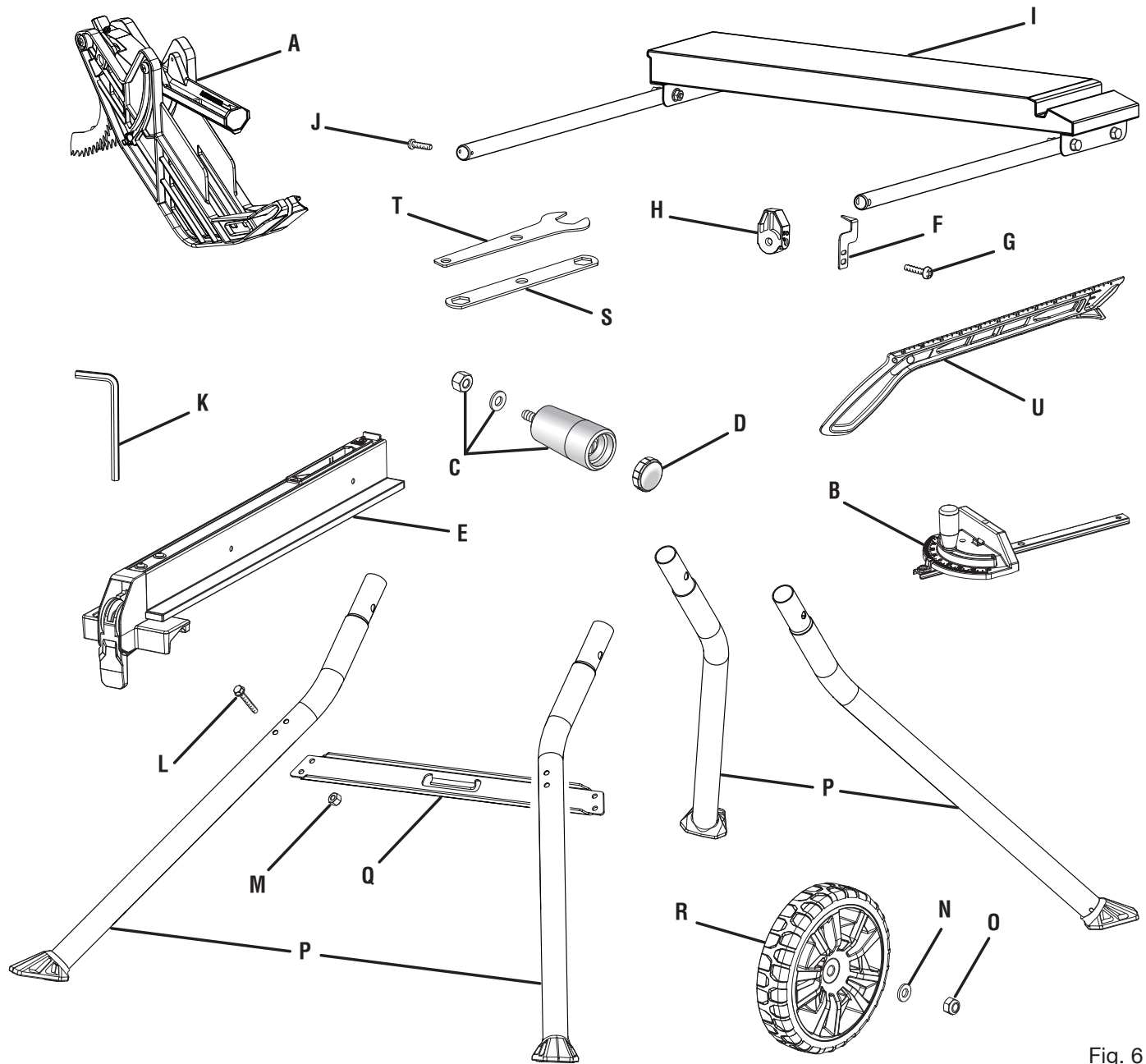


Fig. 6

A. Garde de lame avec griffes antiretour.....	1
B. Guide d'onglet	1
C. Ensemble de poignée	1
D. Capuchon du bout de la poignée	1
E. Guide longitudinal.....	1
F. Indicateur	1
G. Vis (M4 x 25 mm, tête bombée).....	1
H. Capuchon de indicateur de refente	1
I. Rallonge de table coulissante.....	1
J. Vis de butée	1
K. Clé hex. (5 mm).....	1

L. Boulon (M5 x 35 mm).....	4
M. Écrou de blocage (M5).....	4
N. Rondelle (OD16 x ID8 x 2t)	4
O. Écrou de blocage (M8).....	4
P. Patte du chevalet.....	4
Q. Entretoise.....	1
R. Meule	2
S. Fermeture de clé.....	1
T. Ouvrir de clé.....	1
U. Bâton poussoir.....	1

ASSEMBLAGE

DÉBALLAGE

Ce produit doit être assemblé.

- Sortir la scie du carton avec précaution et la poser une un plan de travail stable.

NOTE : Cet outil est lourd. Pour éviter des problèmes lombaires, garder les genoux pliés, soulever avec les jambes, pas avec le dos et demander de l'aide lorsque nécessaire.

AVERTISSEMENT :

Ne pas utiliser le produit si, en le déballant, vous constatez que des éléments figurant dans la liste des *pièces détachées* sont déjà assemblés. Certaines pièces figurant sur cette liste n'ont pas été assemblées par le fabricant et exigent une installation. Le fait d'utiliser un produit qui a été assemblé de façon inadéquate peut entraîner des blessures.

- Examiner soigneusement l'outil pour s'assurer que rien n'a été brisé ou endommagé en cours de transport.
- Ne pas jeter les matériaux d'emballage avant d'avoir soigneusement examiné l'outil et avoir vérifié qu'il fonctionne correctement.

NOTE : Retirer le bloc de mousse placé entre la table de la scie et le moteur par biseau premièrement la lame, consulter la partie **Réglage de l'angle de lame (biseau)** de la section *Utilisation de ce manuel*.

- La scie est réglée en usine pour effectuer une coupe précise. Après l'avoir assemblée, vérifier sa précision. Si les réglages ont été modifiés en cours d'expédition, voir les procédures spécifiques présentées dans ce manuel.
- Si des pièces sont manquantes ou endommagées, appeler le 1-800-525-2579.

AVERTISSEMENT :

Si des pièces manquent ou sont endommagées, ne pas utiliser cet outil avant qu'elles aient été remplacées. Le fait d'utiliser ce produit même s'il contient des pièces endommagées ou s'il lui manque des pièces peut entraîner des blessures graves.

AVERTISSEMENT :

Ne pas essayer de modifier cet outil ou de créer des accessoires non recommandés pour l'outil. De telles altérations ou modifications sont considérées comme un usage abusif et peuvent créer des conditions dangereuses, risquant d'entraîner des blessures graves.

AVERTISSEMENT :

Ne pas brancher sur le secteur avant d'avoir terminé l'assemblage. Le non-respect de cet avertissement peut causer un démarrage accidentel, entraînant des blessures graves.

AVERTISSEMENT :

Ne pas soulever la scie sans aide. La tenir près du corps. Garder les genoux pliés et soulever en utilisant les jambes, pas le dos. Ne pas respecter ces mesures de précaution peut entraîner des problèmes lombaires.

AVERTISSEMENT :

Ne jamais se tenir en ligne avec la lame ou laisser les mains approcher la lame à moins de 76,2 mm (3 po). Ne pas essayer de passer la main au-dessus ou au-delà de la lame. Le non-respect de cette mise en garde peut entraîner des blessures graves.

AVERTISSEMENT :

Pour éviter des blessures graves, toujours s'assurer que la scie à table est solidement fixée sur un établi ou un stand approuvé. NE JAMAIS utiliser la scie posée sur le sol.

TROUS DE MONTAGE

La scie à table doit être montée solidement sur un plan de travail ferme, tel qu'un établi ou un stand. Pour ce faire, la cadre de la scie comporte quatre trous.

Pour le montage sur un établi, les boulons doivent être assez longs pour traverser la base de la scie, les rondelles frein, les écrous et l'établi elles frein, les écrous et l'établi ou autre surface de fixation. Serrer les boulons ou vis fermement. Une fois le montage terminé, vérifier soigneusement l'établi pour s'assurer qu'aucun mouvement ne peut se produire en cours d'utilisation. Si l'établi bascule, glisse ou se déplace, l'assujettir sur le sol avant d'utiliser la scie.

Pour le montage sur le stand, lire le specific procédures spécifiques expliquées plus loin dans cette section.

ASSEMBLAGE

DÉPLIAGE DU SUPPORT À PATTES

Voir la figure 7.

NOTE : Ne pas se servir à un usage autre que celui pour lequel il est conçu.

NOTE : Pendant la livraison, le bloc de mousse entre le boîtier de la scie et le moteur tient les boulons des pattes du support en place. Retirer le bloc de mousse avant d'assembler le support, tout en s'assurant que les boulons restent en place.

- Placer la scie sur une surface plane, le dessous de la scie vers le haut.
- Couper l'attache autobloquante qui retient les supports de fixation ensemble.
- Déplier le support. Utiliser le loquet pour fixer le bout libre du support de fixation au cadre de la scie.

INSTALLER LES PATTES DU SUPPORT

Voir les figures 8 et 9.

Beaucoup des pièces de chariot utilitaire sont mobiles. Tout matériel doit être assurément resserré mais pas si tendu que le stand ouvre et retire. Pour faciliter l'assemblage, associer les lettres et installer la quincaillerie.

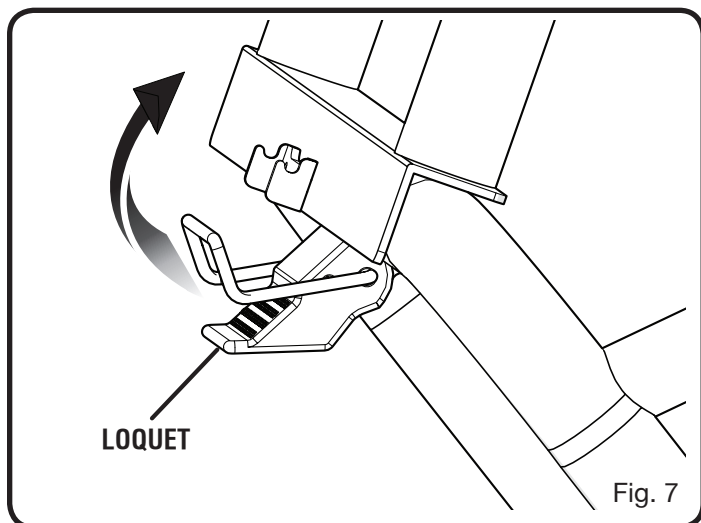
Localiser les pièces suivantes :

Patte du chevalet.....	4
Écrou de blocage (M8)	2

- Assembler chaque côté séparément. Installer toutes les pattes avec les pieds pointant vers l'extérieur.
- Retirer délicatement le boulon du support de fixation tout en tenant la plaque de pivot en place. Mettre le boulon de côté.
- Trouver l'une des pattes dans laquelle deux trous sont percés. Insérer la patte dans le tube intérieur du support de fixation.

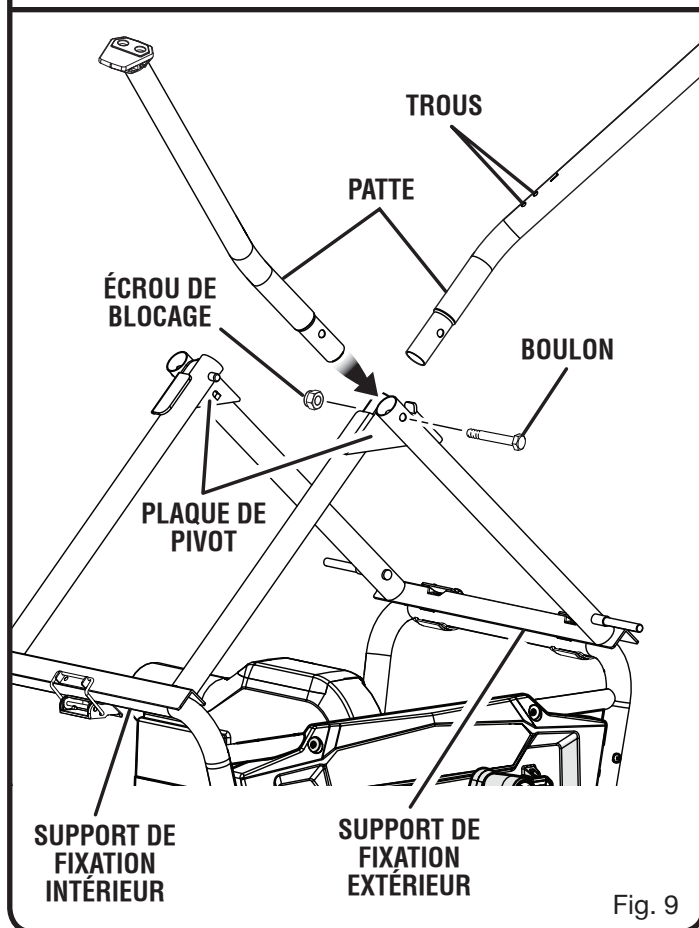
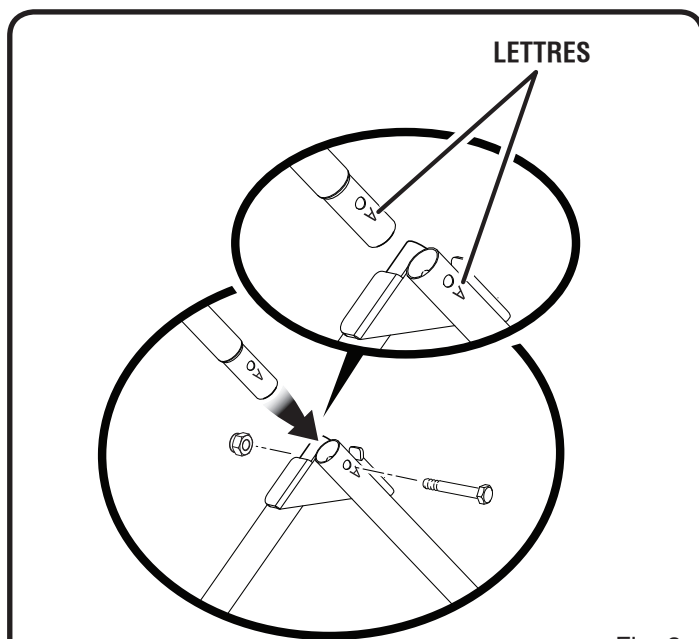
NOTE : Les deux trous servent à installer l'entretoise.

- Aligner les trous pour la quincaillerie des supports de fixation intérieur et extérieur et de la plaque de pivot. Insérer le boulon à travers toutes les pièces et le fixer avec un écrou de verrouillage. Serrer l'écrou avec une clé de 13 mm. Puis, desserrer légèrement l'écrou pour permettre aux pattes de pivoter librement.



NOTE : Ne pas trop serrer l'écrou; le support ne pourra pas bouger librement.

- Pour répéter de l'autre côté, retirer le boulon. Insérer la patte avec deux trous dans le tube intérieur du support de fixation. Insérer le pied d'ajustement dans le support de fixation extérieur.



ASSEMBLAGE

INSTALLER L'ENTRETOISE

Voir la figure 10.

Localiser les pièces suivantes :

Écrou de blocage (M5)	4
Boulon (M5 x 35 mm)	4
Entretoise.....	1

- Placer l'entretoise dans la position illustrée, en alignant les trous de l'entretoise avec les trous de la partie inférieure du support.
- Glisser chacun des quatre boulons dans les trous de l'entretoise et ceux des pattes.
- Placer un écrou de blocage sur chaque boulon. Bien serrer l'écrou à l'aide d'une clé à douilles et douilles de 8 mm.

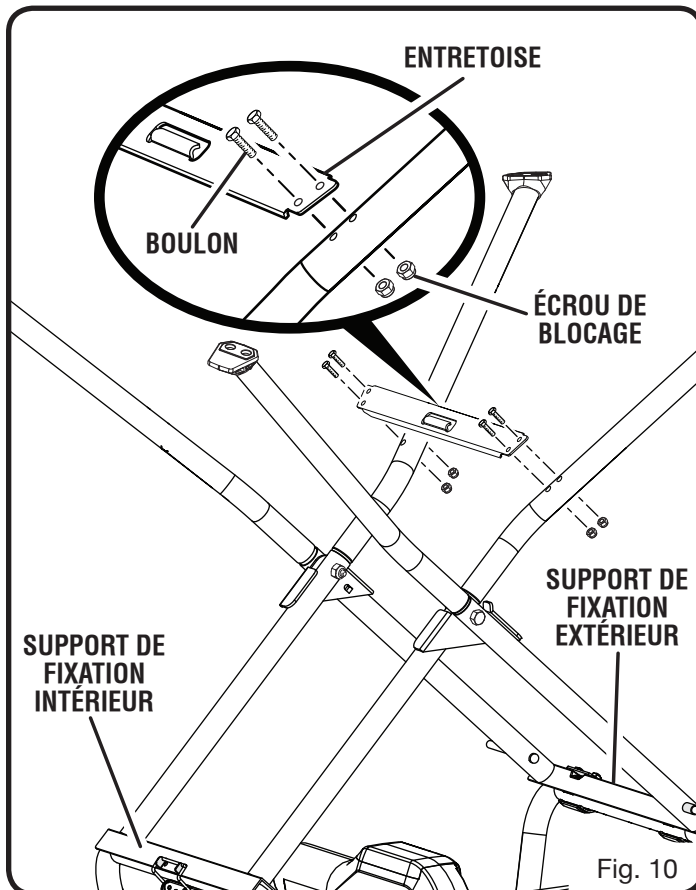
INSTALLATION DES ROULETTES DANS LE SUPPORT

Voir la figure 11.

Localiser les pièces suivantes :

Meule.....	2
Rondelle (OD16 x ID8 x 2t)	4
Écrou de blocage (M8)	2

- Glisser une rondelle, une roue et une autre rondelle sur chaque essieu.
- Visser un écrou de blocage sur l'essieu et bien serrer à l'aide d'une clé de 13 mm.



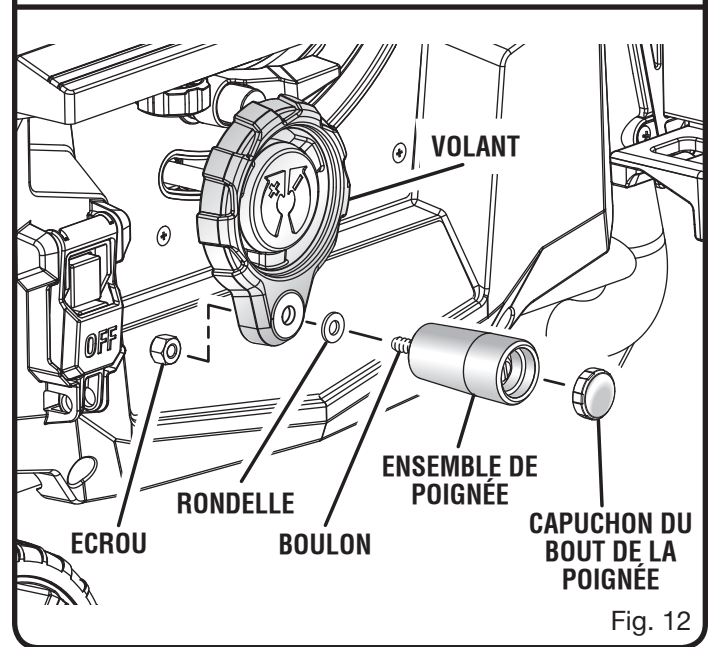
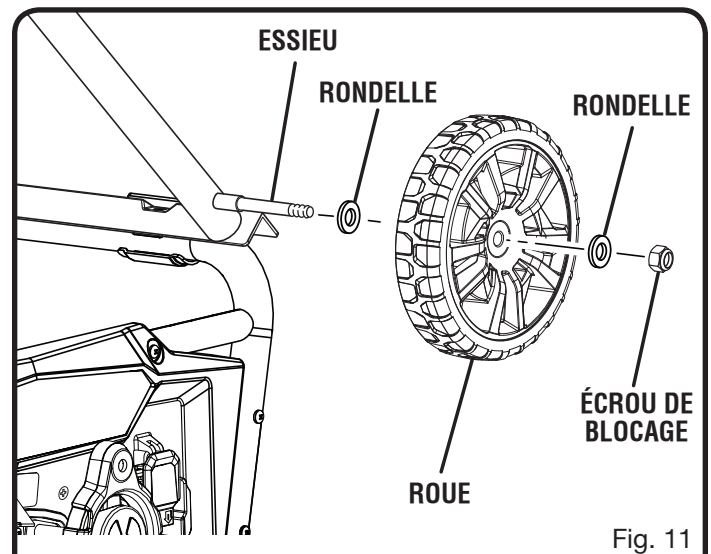
INSTALLATION DE ENSEMBLE DE POIGNÉE

Voir la figure 12.

Localiser les pièces suivantes :

Ensemble de poignée.....	1
Capuchon du bout de la poignée.....	1

- Retirer l'écrou hexagonal du boulon de la poignée, mais ne pas retirer le boulon ou rondelle.
- Insérer l'écrou hexagonal dans le trou en retrait du volant de réglage de hauteur / biseau et le maintenir en place.
- Insérer la poignée, boulon, y rondelle dans le trou du volant de réglage de hauteur / biseau.
- Serrer le boulon en la tournant vers la droite avec un tournevis plat.
- Recouvrir le bout de la poignée en poussant le capuchon en place.



ASSEMBLAGE

ASSEMBLAGE DE RALLONGE DE TABLE COULISSANTE

Voir les figures 13 et 14.

Localiser les pièces suivantes :

Rallonge de table coulissante	1
Vis de butée.....	1
Vis (M4 x 25 mm, tête bombée).....	1
Indicateur.....	1
Capuchon de indicateur de refente.....	1
Ensemble de poignée.....	1

Installation la ensemble de table:

- Désengager le avant et arrière levier de verrouillage de table.
- Insérer la rallonge de table coulissante dans les leviers de verrouillage de la table.
- Enfoncer le rallonge de table coulissante jusqu'à ce qu'elle soit contre la table de la scie et complètement fermée.
- Installer la vis d'arrêt dans le trou situé au bas de la tige de rallonge arrière, afin de maintenir la rallonge de table coulissante dans les leviers de verrouillage.
- Verrouiller le avant et arrière levier de verrouillage de table.

Installation l'indicateur :

- Appuyer le capuchon d'extrémité sur la tige de rallonge selon (voir la figure 14).
- Glissez l'indicateur à travers la fente dans le rail avant de la table et dans le capuchon de l'indicateur.
- Placez la fente supérieure dans l'indicateur sur le cliquet sur la fiche d'extrémité et la fente inférieure sur le trou de vis sur la fiche d'extrémité.

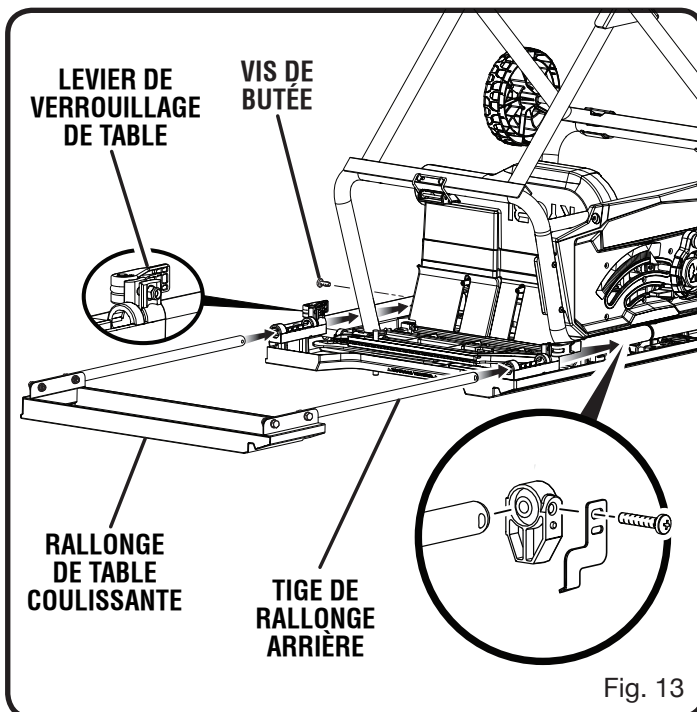


Fig. 13

- Insérer une vis dans la fente inférieure de l'indicateur, le trou du bouchon d'extrémité et la tige de rallonge.
- Aligner le indicateur sur la 432 mm (17 po) de marque. Serrer, mais non de façon excessive. Serrer façon excessive peut endommager les extrémités des tiges.

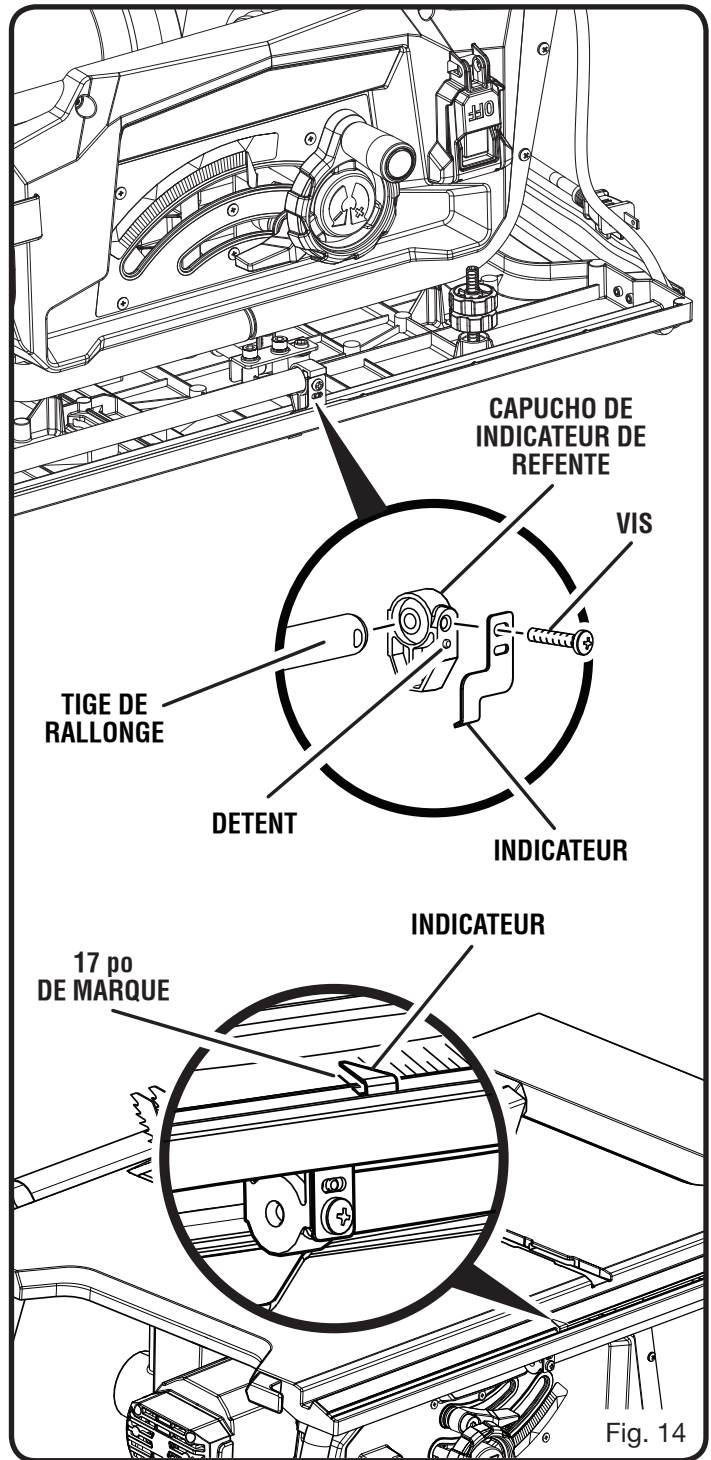


Fig. 14

ASSEMBLAGE

POUR OUVRIR / FERMER (INSTALLER/ DÉINSTALLER) LE SUPPORT

Voir la figure 15.

NOTE : Utiliser l'attache pour cordon au bout de la scie pour tenir le cordon hors du chemin lorsqu'on installe ou qu'on désinstalle la scie.

Pour ouvrir (installer) le support :

- **Étape 1 :** Installer la scie sur le côté avec les roues. Ouvrir le loquet et le détacher de l'entretoise. Placer les sections des pattes à plat.
- **Étape 2 :** Prendre le support de fixation intérieur et le soulever jusqu'à ce qu'il soit au même niveau que le cadre de la scie. Accrocher le loquet sur le support de fixation intérieur et pousser vers le bas jusqu'à ce que le loquet se verrouille.

- **Étape 3 :** S'assurer que la table à rallonge soit verrouillée. Placer le pied droit contre la patte de la scie pour la stabiliser alors qu'on pousse vers le bas sur la patte supérieure et soulever le logement de la scie pour l'installer droit.

Pour fermer (désinstaller) le support :

- **Étape 1 :** Se tenir sur le côté du banc de scie, placer le pied contre le pied de la scie. Tenir le banc de scie et tenir la patte supérieure de la scie. S'assurer que la table à rallonge soit verrouillée. Pencher la scie sur la gauche et abaisser la scie vers le plancher jusqu'à ce qu'elle soit en équilibre sur le bout.
- **Étape 2 :** Ouvrir et libérer le loquet. Permettre aux deux sections des pattes de reposer à plat.
- **Étape 3 :** Agripper l'entretoise et soulever les deux sections de pattes afin que l'entretoise entre en contact avec le loquet. Accrocher le loquet sur l'entretoise et pousser le loquet vers l'arrière jusqu'à ce que le loquet se verrouille.

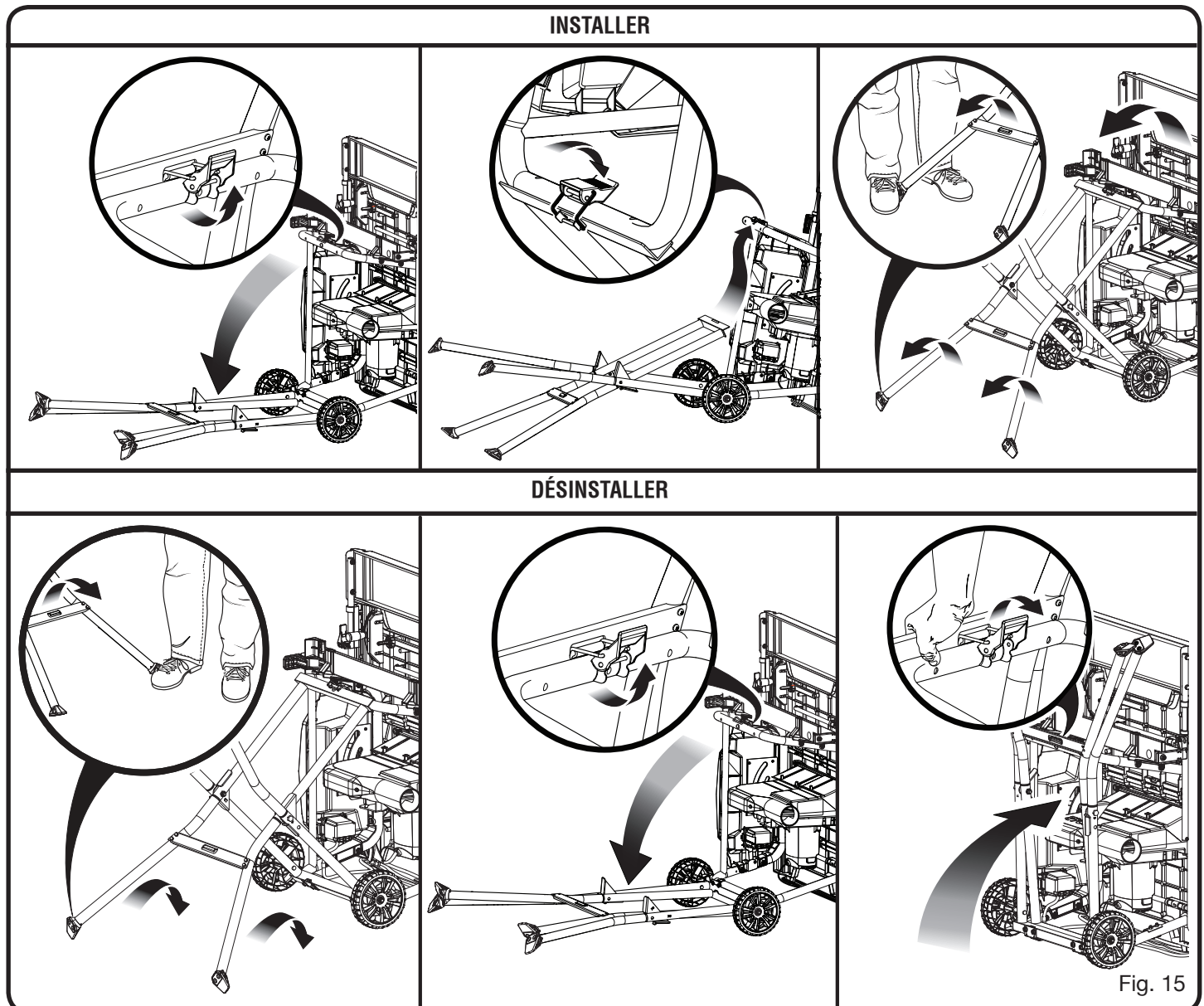


Fig. 15

ASSEMBLAGE

RETRAIT / REMPLACEMENT DE LA PLAQUE À GORGE À GORGE

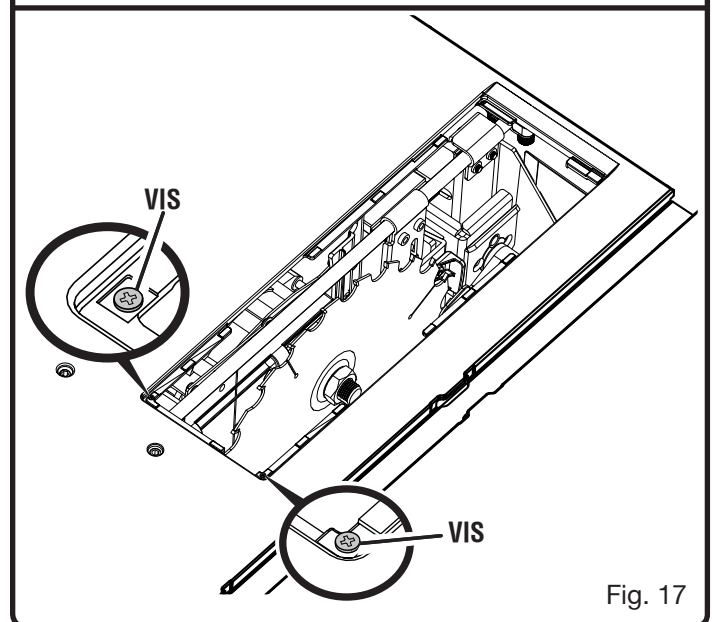
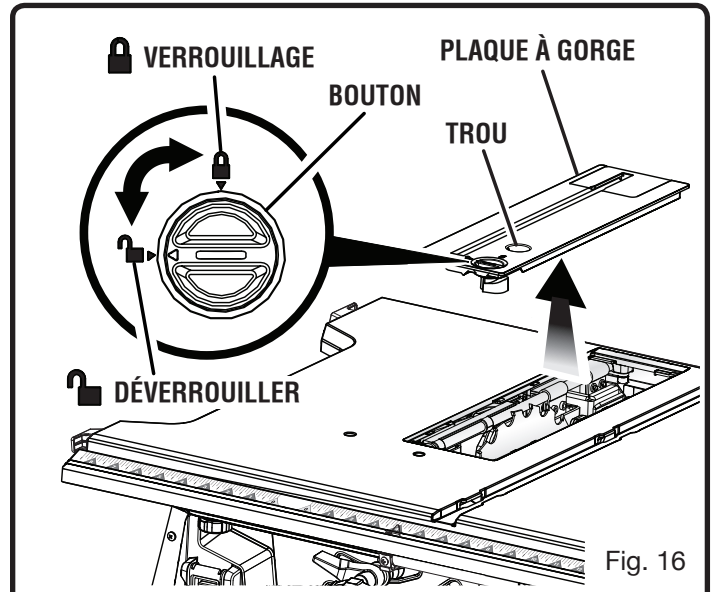
Voir la figure 16 et 17.

⚠ AVERTISSEMENT :

Si la plaque à gorge est trop haute ou trop basse, la pièce à travailler peut s'accrocher sur les bords inégaux et ainsi provoquer un blocage ou un rebond, qui pourrait à son tour entraîner des blessures graves. Vérifier que la plaque à gorge est correctement positionnée. Avant d'allumer la scie, réaliser un essai de l'opération de coupe pour s'assurer qu'aucun problème n'existe lorsque la coupe est effectuée. Si la pièce à travailler s'accroche, ne pas tenter d'utiliser la scie. Contacter le service à la clientèle pour obtenir de l'aide.

- Abaisser la lame en tournant le bouton de réglage de hauteur dans le sens antihoraire.
- Pour retirer la plaque à gorge, tourner le bouton en position déverrouillée. Placer votre index dans le trou, soulever la plaque à gorge et tirer vers l'avant de la scie.
- Pour réinstaller la plaque à gorge, tourner le bouton en position déverrouillée. Remettre la plaque à gorge sur la scie et tourner le bouton en position verrouillée.

NOTE : La plaque à gorge peut se déplacer vers le haut ou vers le bas au fil du temps. Au besoin, utiliser un tournevis Phillips pour ajuster les vis situées sous la plaque à gorge jusqu'à ce qu'elle soit au même niveau que la table à scie.



ASSEMBLAGE

POUR CHANGER ENTRE UNE COUPEAU DIVISEUR

Voir la figure 18.

Cette scie est expédiée avec le couteau diviseur placé dans la coupe de non traversante ou « en bas » la position et doit être en « en haut » la position pour toutes autres opérations de coupe.

⚠ ATTENTION :

Faire preuve de prudence lorsque vous mettez votre main à l'intérieur de la gorge de la scie à table. Le contact avec la lame, même si la lame est immobile peut entraîner des blessures aux mains ou aux bras.

- Débrancher la scie.

Placer en la position « en haut » pour tout par les coupes traversante :

- Remove the throat plate.
- Élever la lame de scie en tournant le volant de réglage de hauteur / biseau vers la droite.
- Ouvrir le levier de dégagement en le tirant en haut.
- S'emparer de le couteau diviseur et le tirer vers le côté droit de la scie pour relâcher le couteau diviseur du serre-joint de couteau diviseur.
- Le tire le couteau diviseur en haut jusqu'à ce que es goupilles internes sont engagées et l'écarteur c'est ci-dessus de la lame de scie.
- Verrouiller le levier de dégagement en appuyant le levier.

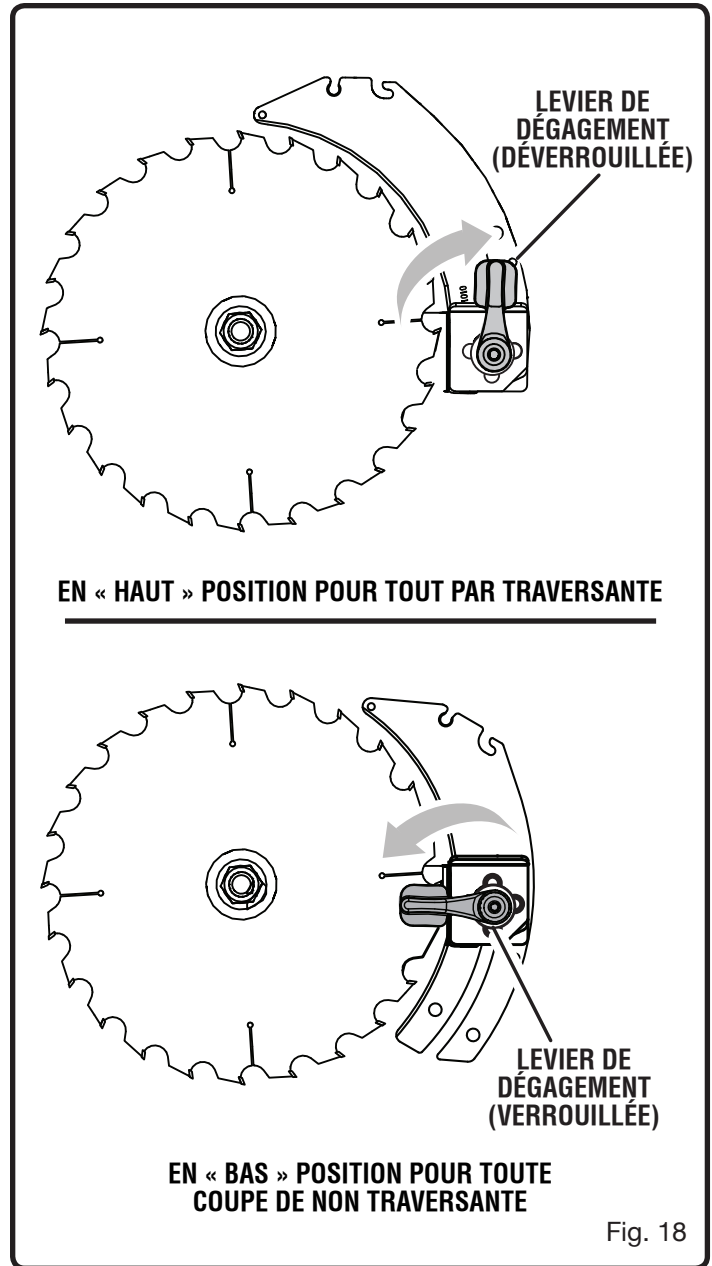
⚠ AVERTISSEMENT :

S'assurer que le levier de dégagement est entièrement appuyé. Si le levier de dégagement est difficile à verrouiller, nettoyer à fond les composants du levier avec de l'air comprimé ou un linge doux propre, comme il est décrit à la partie **Nettoyer les plaques du levier de verrouillage du couteau fendeur** dans la section *Entretien*. À défaut de verrouiller le levier de dégagement complètement peut entraîner un changement de position du couteau diviseur lors de l'utilisation de la scie et peut causer des blessures corporelles graves.

- Réinstallez de la plaque à gorge.

Placer en la position « en bas » pour tout par les coupes non traversante :

- Retirer de la plaque à gorge.
- Élever la lame de scie en tournant le volant de réglage de hauteur / biseau vers la droite.



- Ouvrir le levier de dégagement en le tirant en haut.
- S'emparer de le couteau diviseur et le tirer vers le côté droit de la scie pour relâcher le couteau diviseur du serre-joint de couteau diviseur.
- Appuyer le couteau diviseur jusqu'à ce que l'écarteur au-dessus de la lame de scie.
- Verrouiller le levier de dégagement en appuyant le levier.
- Réinstallez de la plaque à gorge.

ASSEMBLAGE

VÉRIFICATION DE L'INSTALLATION DE LA LAME

Voir la figure 19.

AVIS :

Pour que la lame fonctionne correctement, ses dents doivent être orientées vers le bas et l'avant de la scie. Le non respect de cet avertissement pourrait causer un dommage à la lame, la scie, ou la pièce à travailler.

- Débrancher la scie.
- Retirer la clé de lame de la zone de rangement de clé de lame.
- Abaisser la lame et retirer la plaque à gorge.
- Relever la lame au maximum en tournant le volant de réglage de hauteur / biseau vers la droite.
- S'assurer que le levier de blocage du biseau est verrouillé. (Voir la figure 38.)
- Placer le couteau diviseur en la posición « en haut ».

Pour desserrer la lame :

- Placer le bout ouvert plat de la clé de lame à extrémité ouverte sur les méplats de l'arbre de l'axe.
- Insérer la clé de lame à extrémité fermée sur l'écrou de la lame. En tenant fermement les deux clés, tirer la clé à extrémité fermée vers l'avant de la machine.

NOTE : L'axe de lame est enfile de droite.

Pour serrer la lame :

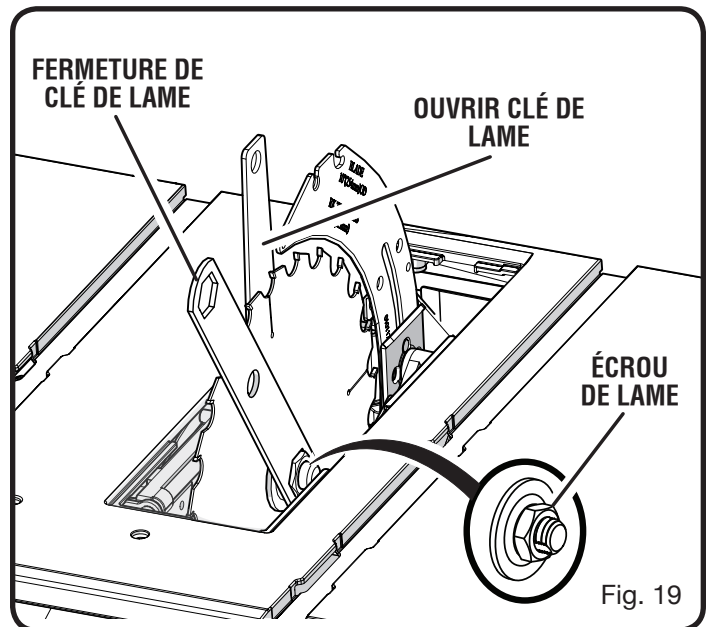
- Placer le bout ouvert plat de la clé de lame à extrémité ouverte sur les méplats de l'arbre de l'axe.
- Insérer la clé de lame à extrémité fermée sur l'écrou de la lame. En tenant fermement les deux clés, pousser la clé à

extrémité fermée vers l'arrière de la machine. S'assurer sûr que l'écrou de la lame est fermement serré. Ne pas serrer excessivement.

NOTE : L'axe de lame est enfile de droite.

- Réinstallez de la plaque à gorge.
- Vérifier les dégagements pour être sûr que le mouvement de la lame ne soit pas obstrué.

Après l'installation, ajuster l'indicateur de l'échelle de refente pour tenir compte du trait et de l'épaisseur de la lame. Rappelez-vous à **Pour régler l'échelle graduée sur la lame** dans la section *Utilisation* dans ce manuel. Lors de la coupe, l'échelle doit être placée du côté de la lame où la coupe est mesurée et exécutée.



ASSEMBLAGE

INSTALLATION DE PROTÈGE-LAME

Voir les figures 20 et 21.

⚠ AVERTISSEMENT :

Toujours installer le protège-lame et les griffes antirebond sur le couteau diviseur vers le haut afin de protéger adéquatement la lame. L'installation de composants protecteurs sur le couteau diviseur dans toute autre position nuira au bon fonctionnement du couteau diviseur et augmentera le risque de blessures graves.

⚠ AVERTISSEMENT :

Remplacer le protège-lame si les griffes antiretour sont émoussées ou endommagées. Les griffes émoussées ou endommagées pourraient ne pas arrêter un retour, augmentant ainsi le risque de blessure grave.

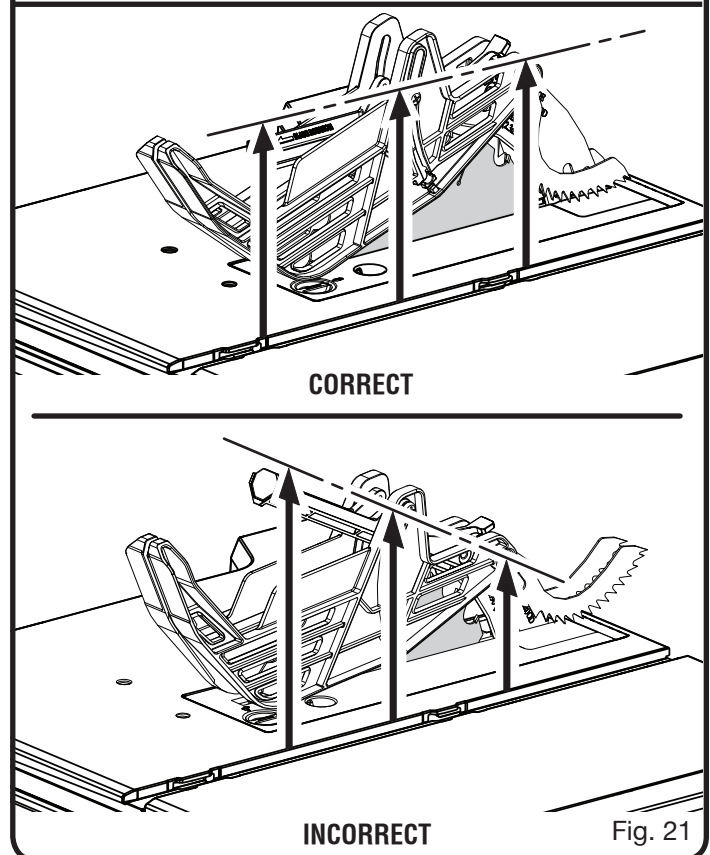
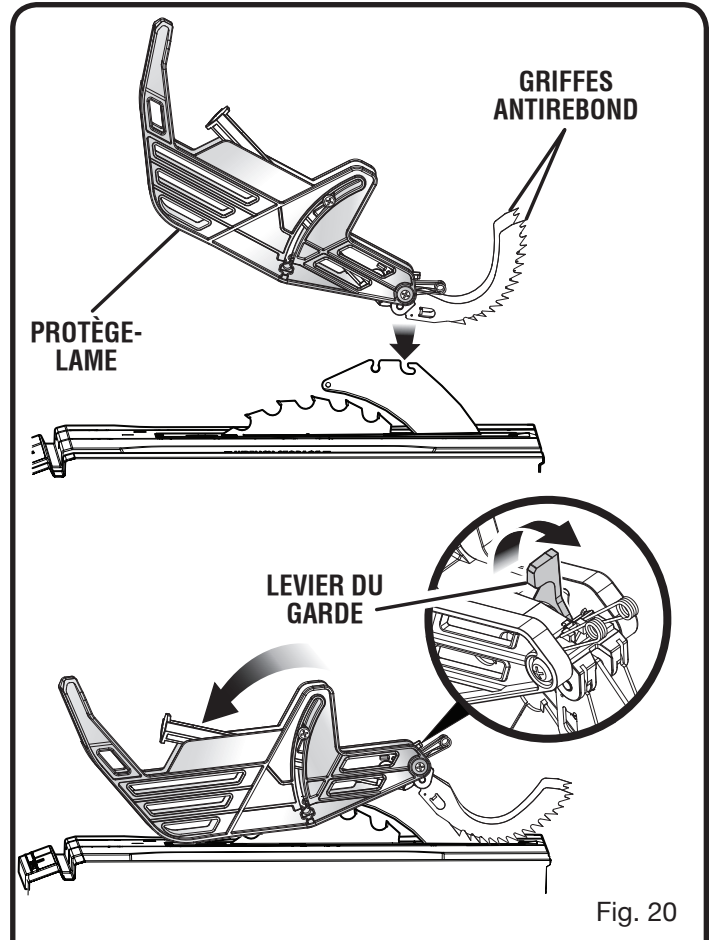
Les griffes antiretour font partie du protège-lame de cette scie. Elles devraient seulement être utilisées pour les coupes complètes. Lorsqu'on n'en a pas besoin, elles peuvent être placées hors du chemin.

- Débrancher la scie.
- Élever la lame de scie en tournant le volant de réglage de hauteur / biseau vers la droite.
- Placer le couteau diviseur en la posición « en haut ».
- Réinstaller la plaque à gorge.

Installation de protège-lame :

- Soulever le levier du garde en haut pour déverrouiller.
- Avec le devant du protège-lame a élevé, abaisser le dos du garde dans le trou arrière le couteau diviseur comme illustré. Abaisser l'avant du garde jusqu'à ce que la barre à l'intérieur du garde soit **parallèle à la table** (voir la figure 20). Si la barre n'est pas parallèle à la table, le couteau diviseur n'est pas en position « en haut ».
- Verrouiller le garde à sa place en appuyant le levier du garde.
- Les barrières latérales du protège-lame peuvent être soulevées, et ensuite placées hors du chemin sans être retirées pour faciliter la mesure.

NOTE : L'alignement de la lame peut être ajusté selon les largeurs différentes du trait. Voir : **Vérification et alignement du couteau diviseur et la lame.** Vérifier que la garde de lame fonctionne librement, sans heurter d'autres pièces.



ASSEMBLAGE

VÉRIFICATION ET ALIGNEMENT DU COUTEAU DIVISEUR ET LA LAME

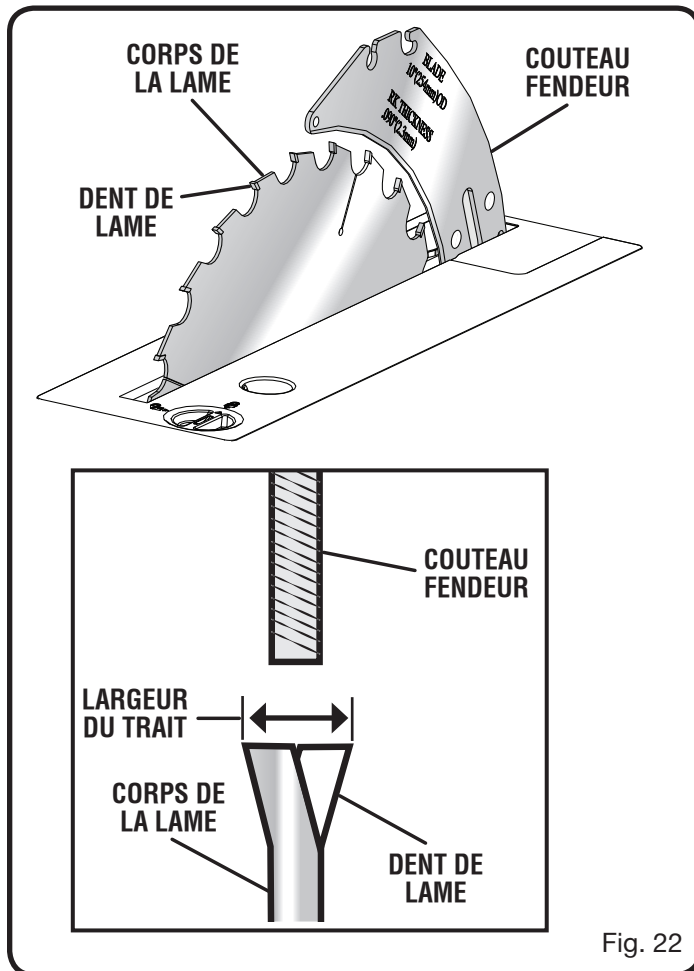
Voir les figures 22 et 23.

Vérification de l'alignement du couteau diviseur :

- Débrancher la scie.
- Élever la lame de scie en tournant le volant de réglage de hauteur / biseau vers la droite.
- Régler l'angle du biseau à 0° et verrouiller le levier de blocage du biseau.
- Relever le ensemble de protège-lame.
- Pour vérifier l'alignement horizontal, placer une équerre de charpentier ou un bord droit contre le corps de la lame de scie et le couteau diviseur. L'équerre de charpentier doit toucher le corps de la lame et le couteau diviseur uniformément et sans écart. Vérifier l'alignement des deux côtés du corps de la lame.

NOTE : Le trait ou la largeur de chaque dent est plus large que le corps de la lame. Lorsque le couteau diviseur est correctement aligné, il sera centré sur la largeur du trait.

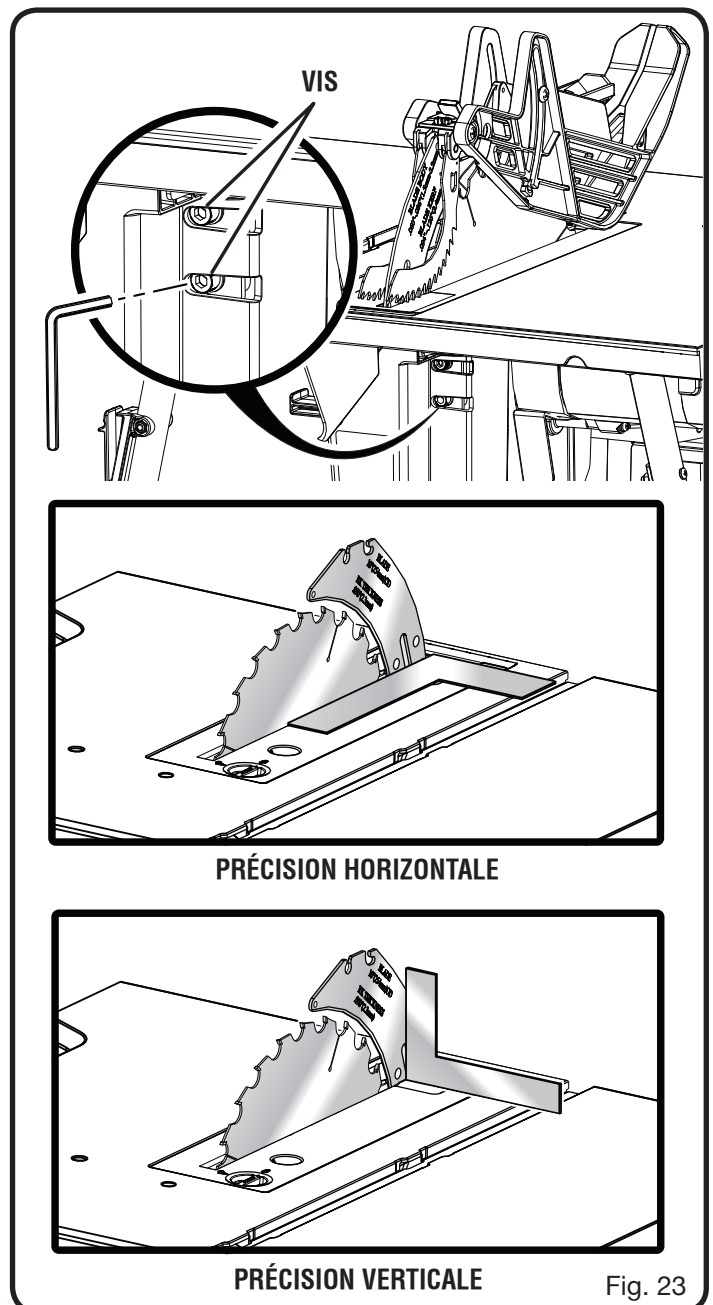
- Pour vérifier l'alignement vertical, placer une équerre de charpentier à côté du couteau diviseur. Le bord de l'équerre et le couteau diviseur doivent être parallèles.



Si le couteau diviseur n'est pas aligné sur la lame, un réglage est nécessaire. Le couteau diviseur doit être dans l'alignement de l'avant vers l'arrière (horizontalement) et le dessus pour inférieure (verticalement).

Réglage (horizontale et verticale) :

- Relever la lame au hauteur maximum.
- Relever le ensemble de protège-lame.
- Vue de arrière le scie, desserrer le vis le support de montage.
- Repositionner le couteau diviseur à ce que la lame soit parfaitement alignée sur le couteau diviseur.
- Une fois la garde correctement alignée, reserrer fermement l'écrous.
- Vérifier de nouveau l'alignement et continuer à ajuster effectuer les réglages éventuels.



ASSEMBLAGE

POUR DÉPLACER LA SCIE

Voir la figure 24.

- Fermer le support à pattes comme il est décrit à la partie **Pour ouvrir / fermer (installer / désinstaller) le support** dans cette section.
- Tenir fermement le support, puis le tirer vers soi jusqu'à ce que le support et la scie soient en équilibre sur les roues comme un chariot à main.
- Pousser la scie à l'endroit désiré, puis ouvrir le support pour utiliser la scie immédiatement ou ranger la scie dans un environnement sec.

RANGEMENT DES ACCESSOIRES DE LA TABLE À SCIE

Voir les figure 25 à 28.

Lorsque le guide longitudinal, le couteau diviseur, les clés, le protège-lame, le guide à onglet, et le bâton poussoir ne sont pas utilisés, ils peuvent être rangés sous la table à scie.

Il y a du rangement supplémentaire pour le poussoir sur le dessus du guide longitudinal. Pour utiliser le rangement, insérer le bout du bâton poussoir dans la fente jusqu'à ce qu'il y ait un déclic.

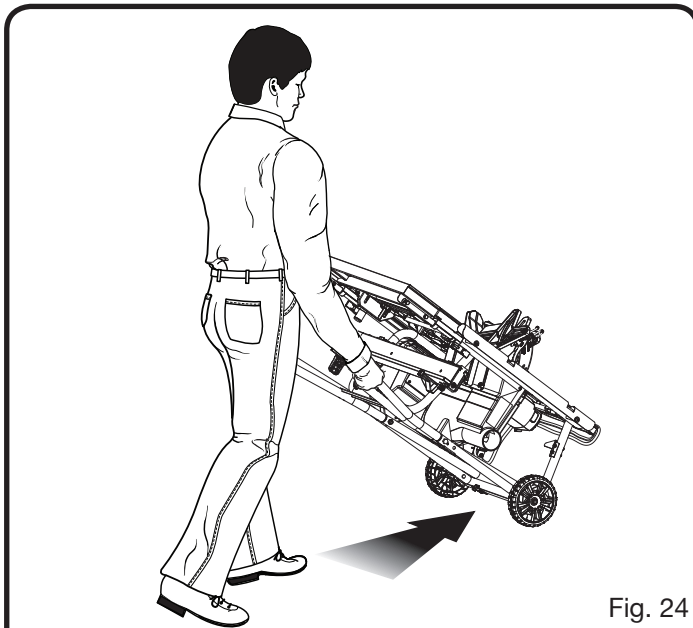


Fig. 24

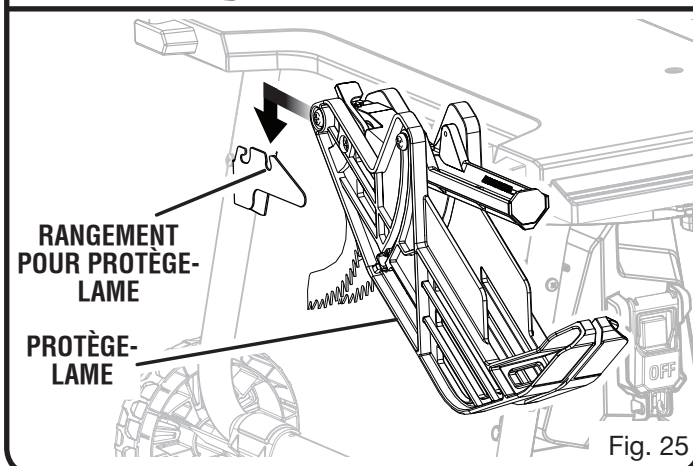


Fig. 25

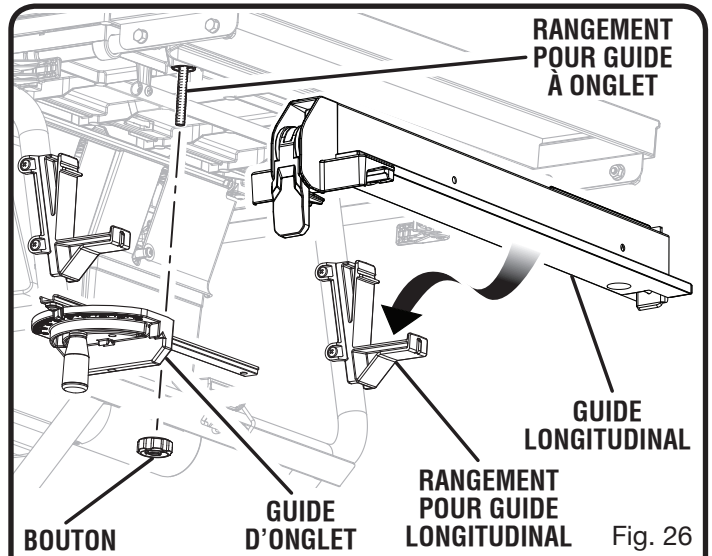


Fig. 26

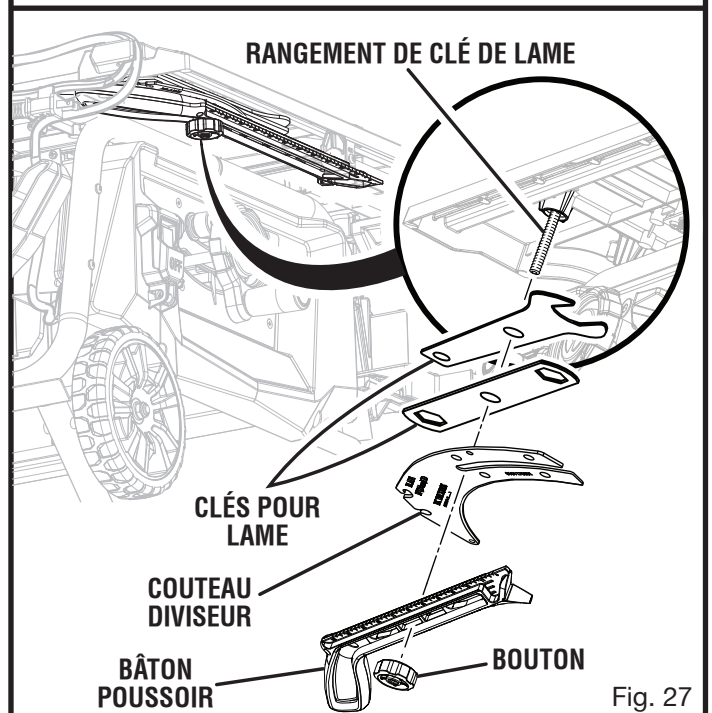


Fig. 27

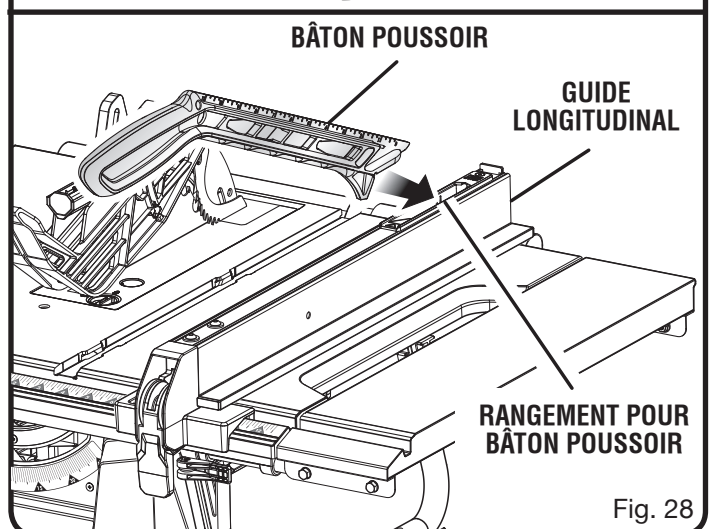


Fig. 28

UTILISATION

AVERTISSEMENT :

Ne pas laisser la familiarité avec les outils faire oublier la prudence. Ne pas oublier qu'une fraction de seconde d'inattention peut entraîner des blessures graves.

AVERTISSEMENT :

Toujours porter une protection oculaire certifiée conforme à la norme ANSI Z87.1. Si cette précaution n'est pas prise, des objets peuvent être projetés dans les yeux et causer des lésions graves.

AVERTISSEMENT :

Ne pas utiliser d'outils ou accessoires non recommandés par le fabricant pour cet outil. L'utilisation de pièces et accessoires non recommandés peut entraîner des blessures graves.

AVERTISSEMENT :

Bien que beaucoup des illustrations de ce manuel montrent la scie sans la garde de lame pour plus de clarté, la scie ne doit être utilisée sans la garde que si les instructions l'indiquent expressément.

AVERTISSEMENT :

La scie à table doit être installée sur un plan de travail ferme, tel qu'un établi ou un support à pieds qui positionne la scie à la hauteur de la taille. Bien que beaucoup des illustrations de ce manuel montrent la scie non montée pour plus de clarté, la scie ne doit être utilisée sans la garde que si les instructions l'indiquent expressément.

APPLICATIONS

Cet outil peut être utilisé pour les applications ci-dessous :

- Coupes en ligne droite telles que les coupes transversales, longitudinales, d'onglets, en biseau et composées
- Coupes de rainurage et de moulage avec des accessoires en option
- Ébénisterie et menuiserie

NOTE : Cette scie à table est conçue pour couper du bois et de l'aggloméré uniquement.

UTILISATION ÉLÉMENTAIRE DE LA SCIE À TABLE

Pour réduire le risque de choc électrique, cet outil est équipé d'une fiche polarisée (une broche est plus large que l'autre). Cette fiche ne peut être branchée sur une prise polarisée que dans un sens. Si la fiche ne peut pas être insérée dans la prise, l'inverser. Si elle ne peut toujours pas être insérée, faire installer une prise adéquate par un électricien qualifié. Ne pas

modifier la fiche de quelque façon que ce soit. Voir la section *Caractéristiques électriques* de ce manuel.

CAUSES DE REBONDS

Un rebond peut se produire lorsque la lame se bloque ou se coince et propulse violemment la pièce à couper en direction de l'opérateur. Si les mains se trouvent près de lame, elles pourraient être éjectées de la pièce et entrer en contact avec la lame. Il est évident que le rebond peut causer des blessures graves et il est vivement recommandé de prendre des précautions afin d'éviter ce risque. Il est évident que le rebond peut causer des blessures graves et il est vivement recommandé de prendre des précautions afin d'éviter ce risque.

Le rebond peut être causé par toute action causant le pincement de la lame dans le bois. Par exemple :

- Réglage de profondeur de coupe incorrect
- Sciage de noeuds ou de clous dans le bois
- Déviation du bois en cours de coupe
- Pièce à couper non soutenue
- Coupe forcée
- Coupe de planches humides ou voilées
- Utilisation d'une lame inadéquate pour le type de coupe
- Ne pas suivre les procédures de travail correctes
- Utilisation incorrecte de la scie
- Non utilisation des griffes antirebond
- Coupe avec une lame émoussée, encrassée ou mal réglée

POUR ÉVITER LE REBOND

- Toujours utiliser le réglage de profondeur de coupe correct. La pointe des dents de la lame doit dépasser la pièce de 3,2 à 6,4 mm (1/8 po à 1/4 po).
- S'assurer de l'absence de noeuds ou de clous dans le bois avant de commencer une coupe. Retirer les noeuds décollés à l'aide d'un marteau. Ne jamais scier de noeuds décollés ou de clous.
- Toujours utiliser le guide longitudinal pour les coupes en long. Toujours utiliser le guide d'onglet pour les coupes transversales. Ceci évite la déviation du bois pendant la coupe.
- Toujours utiliser des lames propres, bien affûtées et correctement réglées. Ne jamais couper avec une lame émoussée.
- Afin d'éviter le pincement de la lame, soutenir la pièce avant de commencer la coupe.
- Appliquer une pression constante et régulière sur la pièce. Ne jamais forcer la coupe. Ne pas relâcher la pièce à travailler avant de l'avoir poussé complètement au-delà de la lame.
- Ne pas couper des planches humides ou voilées. La pièce à travailler doit avoir un bord droit pour être guidée le long du guide longitudinal.
- Utiliser la attention extra en coupant quelque prefinished ou les produits de bois de composition comme les griffes antirebond toujours ne peuvent pas être efficaces.
- Toujours diriger votre la pièce avec les deux mains ou avec des bâtons pousoirs et/ou blocs pousoirs. Se tenir bien

UTILISATION

campé afin de pouvoir la maîtriser en cas de rebond. Ne jamais se tenir en ligne avec la lame.

- L'usage d'un cale-guide aidera la prise la pièce assurément contre la table de scie ou le guide.
- Nettoyer la scie, le protège-lame, sous la plaque à gorge, et n'importe quels sciure où n'importe quelle poussière de scie ou les pièces de fragment peuvent rassembler.
- Maintenir le protège-lame, le couteau diviseur et les griffes antirebond en place et en bon état. Le couteau diviseur doit être aligné sur la lame et les griffes doivent arrêter un rebond une fois démarré. Vérifier leur état avant toute coupe longitudinale.
- Garder le guide longitudinal parallèlement à la lame de scie.
- Lors d'une coupe longitudinale, exercer la force d'avance sur la partie de la pièce à travailler qui se trouve entre la lame et le guide longitudinal. Utiliser un bouton poussoir ou un bloc poussoir au besoin.
- Utiliser des lames dont le type correspond au type de coupe.
- Toujours utiliser couteau diviseur pour chaque opération où il est permis. L'usage de cet appareil réduira fort le risque de rebond.

CONSEILS DE COUPE

Voir les figures 29 et 30.

Les bâtons poussoir permettent de pousser une pièce contre la lame en toute sécurité dans coupe longitudinal. En faisant les coupes de non traversante ou refente des planches étroites toujours utiliser un bâton poussoir, bloc poussoir et/ou cale-guide afin de ne pas risquer que les mains à moins de 76,2 mm (3 po) de la lame. Leur forme et taille peuvent varier en fonction du travail à exécuter et il peuvent être fabriqués avec une chute de bois. Le bâton doit être plus étroit que la pièce et présenter une découpe à 90° à une extrémité et découpe permettant de le saisir fermement à l'autre.

Un bloc poussoir est muni d'une poignée fixée par des vis noyées, insérées par le dessous ou sécurisées avec de la colle à bois. Il doit être utiliser pour les coupes non traversantes. Un gabarit de coupe ou toute aide de coupe similaire peut être nécessaire pour assurer que le bloc poussoir ne gêne pas la coupe.

ATTENTION :

S'assurer que la vis du bloc poussoir est noyée afin qu'elle ne risque pas d'endommager la scie ou la pièce.

Les blocs poussoirs et les bâtons poussoirs, tels que ceux illustrés à la figure 29, peuvent être achetés localement et un bâton poussoir est fourni avec la scie. Pour fabriquer une aide de coupe supplémentaire, suivre les instructions ci-dessous.

Pour fabriquer un bâton poussoir :

Le matériau, la forme et la taille d'un bâton poussoir peuvent varier. Pour ce projet, utiliser une pièce de bois solide mesurant 457,20 mm (18 po) de long, 38,10 mm (1-1/2 po) de large et 19,05 mm (3/4 po) d'épaisseur.

- Au besoin, découper une courbe sur un bout de la pièce à travailler pour servir de prise.

- Tailler une encoche sur le bout opposé de la pièce à travailler. Pendant l'utilisation, ce bout touchera le bord du matériau à couper.

Pour fabriquer un bloc poussoir :

Le matériau, la forme et la taille d'un bloc poussoir peuvent varier. Pour ce projet, utiliser deux pièces de bois solide pour créer la base et la poignée. La base mesure 127,00 mm (5 po) de long, 76,20 mm (3 po) et 9,52 mm (3/8 po). La poignée devrait mesurer 127,00 mm (5 po) de long, 25,40 mm (1 po) et 19,05 mm (3/4 po).

- Marquer le centre de la base.
- Fixer la poignée au centre de la base avec des vis noyées ou de la colle à bois.

NOTE : Pour éviter que le bloc poussoir glisse sur la pièce à travailler, attacher un morceau de papier abrasif ou un patin en caoutchouc antidérapant sous la base.

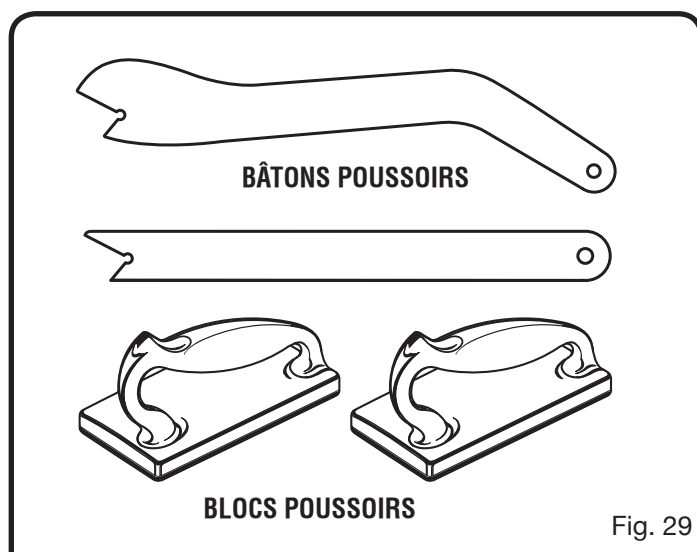


Fig. 29

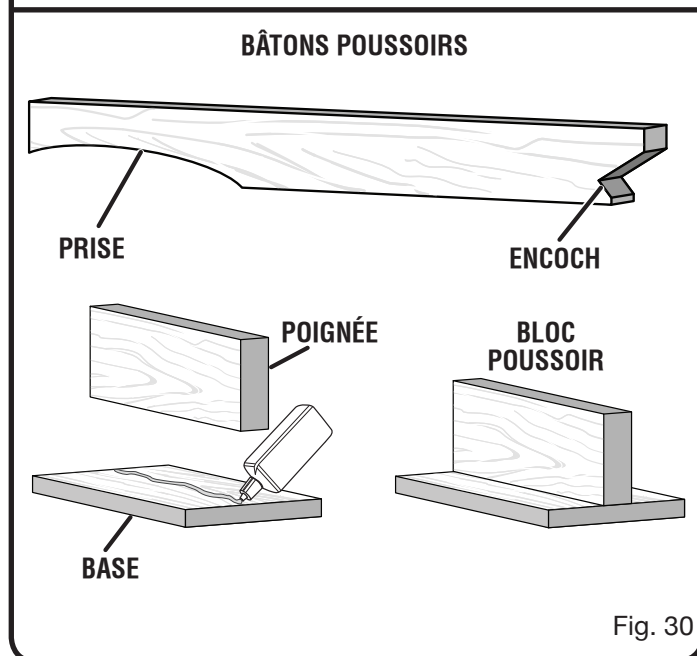


Fig. 30

UTILISATION

SUPPORTS DE LA PIÈCE À TRAVAILLER

Voir la figure 31.

En coupant avec votre scie à table, veiller à ce que la pièce à couper soit correctement soutenue. Bien soutenir la pièce à travailler lors de la découpe permet non seulement d'améliorer la précision de coupe, mais aussi de rendre la coupe plus sécuritaire pour l'utilisateur. Ce support peut être nécessaire à l'entrée, par dessus ou à la sortie de la table. Un mauvais soutien de la pièce à travailler peut faire bouger la pièce de manière inattendue pendant la découpe, surprenant ainsi l'utilisateur de la scie. Cela peut égarer entraîner l'utilisateur à exercer une force anormale sur la pièce à travailler pour la contrôler lors de la découpe. Ce mouvement de bascule de la pièce à travailler aura lieu, si environ la moitié de la pièce dépasse un bord de la table à scie.

Il est possible d'obtenir aisément un support approprié. Des supports commerciaux sont disponibles ou toute surface de même hauteur que la surface de travail de la scie est acceptable. Une utilisation essayée avant de réaliser la coupe en vrai alertera l'utilisateur si un support est nécessaire pour effectuer la coupe en toute sécurité.

GUIDE AUXILIAIRE

Une guide auxiliaire est un appareil qui est utilisé fermer l'écart entre la guide longitudinal et la table de scie. Toujours la marquer et utiliser la guide auxiliaire en déchirant du matériel 1/8 po ou plus mince.

COMMENT FABRIQUER ET CONNEXION UNE GUIDE AUXILIAIRE (POUR LA COUPE LONGITUDINAL PIÈCE DE FABRICATION DILUER)

Voir la figure 32.

Un guide auxiliaire peut être fabriqué pour la scie, en découpant un morceau de bois selon les dimensions suivantes : 533,40 mm (21 po) de long, au moins 19,05 mm (3/4 po) d'épaisseur et au moins 89,90 mm (3-1/2 po) de haut.

NOTE : La hauteur et l'épaisseur du guide auxiliaire peuvent être augmentées selon la taille et le type de la pièce à travailler que vous tentez de couper. Utiliser des guides auxiliaires pour couper les pièces qui dépassent la hauteur du guide longitudinal.

Pour fixer le guide auxiliaire à la guide longitudinal :

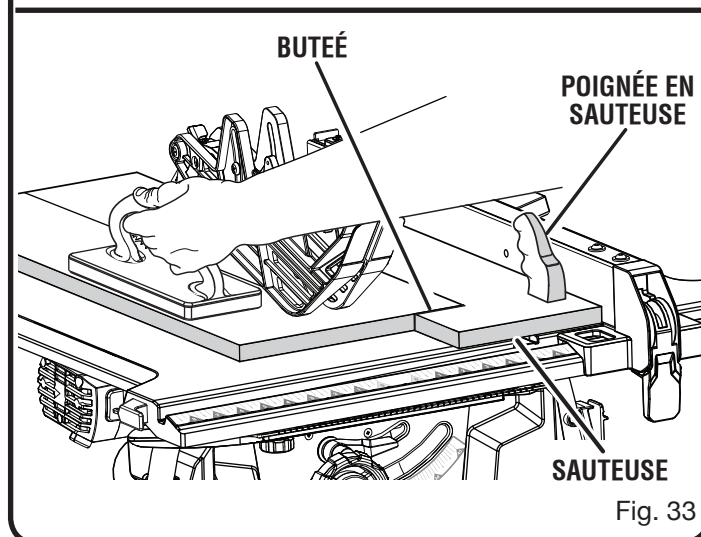
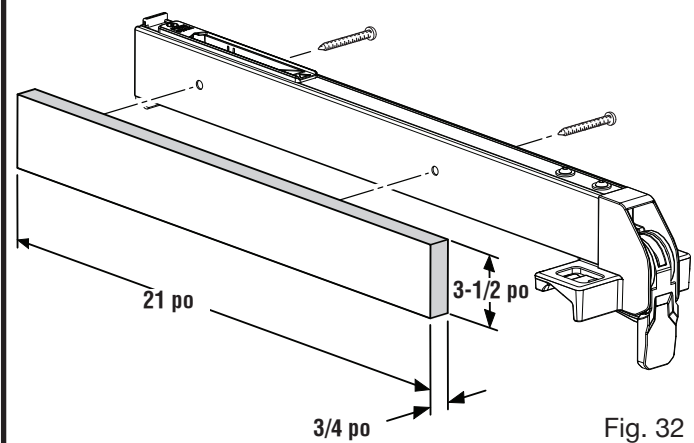
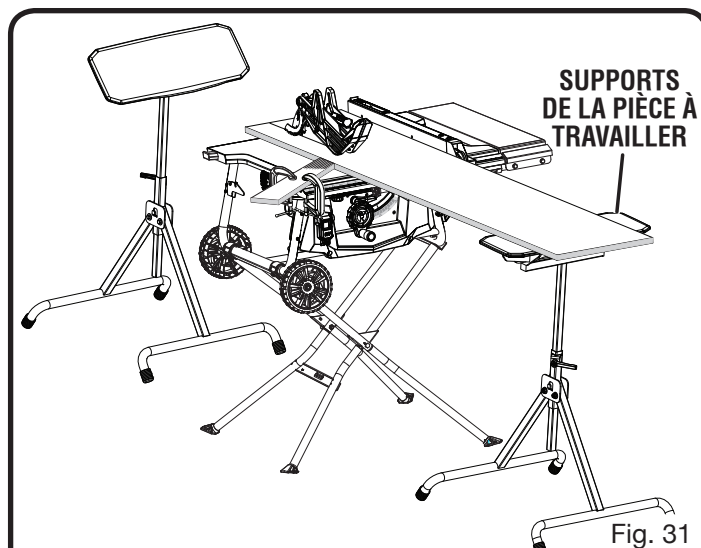
- Positionner le bois contre le côté gauche du guide longitudinal et le poser fermement sur la table à scie.
- À partir de l'arrière du guide longitudinal, sécuriser le bois au guide à l'aide des vis à bois.

NOTE : S'assurer que les vis utilisées pour fixer le guide auxiliaire ne traversent pas la face avant du guide.

COMMENT FAIRE UNE SAUTEUSE (POUR LA COUPE LONGITUDINAL LA REFENTE DES PLANCHES PIÈCE)

Voir la figure 33.

Si refente des planches étroites place les mains fermement aussi à la lame, le ce sera nécessaire de faire et utiliser une sauteuse.



Pour effectuer une sauteuse :

- Attacher une poignée à un morceau long et droit de bois et obtenir du dessous utilisant des vis noyées.
- Couper un arrêt en forme de L dans le côté de la sauteuse

UTILISATION

Pour utiliser sauteuse :

- Disposer la pièce plate sur la table avec l'éclat de bord contre la sauteuse et contre buté.
- L'avoir la poignée de sauteuse et l'utilisation d'un bâton poussoir et/ou de bloc poussoir, voir ci-après la partie **Coupe longitudinale** dans cette section.

CALE-GUIDE

Une cale-guide est un dispositif qui permet de contrôler la pièce en la guidant fermement contre la table ou le guide. Les cales-guides sont surtout utiles lors de coupes en long de petites pièces et de coupes non traversantes. L'extrémité est oblique, avec plusieurs courtes entailles permettant de maintenir la pièce par friction. Assujettir la cale guide sur la table avec un serre-joint. Vérifier qu'elle peut résister au rebond en limitant le mouvement vers l'avant de la pièce.

⚠ AVERTISSEMENT :

Placer la cale-guide contre la partie non coupée de la pièce afin d'éviter un rebond qui pourrait entraîner des blessures graves.

Les cales-guides commerciales peuvent être achetées à un prix abordable. De nombreuses cales-guides s'installent à l'intérieur des fentes du guide à onglet de la scie et sont pratiques à poser et utiliser sur la scie à table. Pour fabriquer une cale-guide, suivre les instructions à la partie suivante.

COMMENT FABRIQUER UNE CALE-GUIDE

Voir la figure 34.

La cale-guide est un excellent projet pour la scie. Sélectionner une planche de bois solide d'environ 19 mm (3/4 po) d'épaisseur environ, 63,5 mm (2-1/2 po) de large et 304,8 mm (12 po) de long. Marquer le centre de la largeur sur l'une des extrémités de la planche. Couper une des extrémités à 70° « pour des informations sur les coupes d'onglets, voir la page 39 ». Marquer la planche à 101,6 mm (4 po) de cette point le plus large.

Préparer la scie pour une coupe longitudinale comme expliqué à la page 37. Régler le guide longitudinal afin de pouvoir couper un « doigt » d'environ 6 mm (1/4 po) dans la planche. Avancer

la planche seulement jusqu'au repère de 101,6 mm (4 po). **ARRÊTER** la scie et attendre que la lame soit complètement immobilisée avant de retirer la planche. Ajuster le guide et effectuer des coupes longitudinales dans la pièce pour obtenir des entailles d'environ 6 mm (1/4 po), séparées de 3 mm (1/8 po).

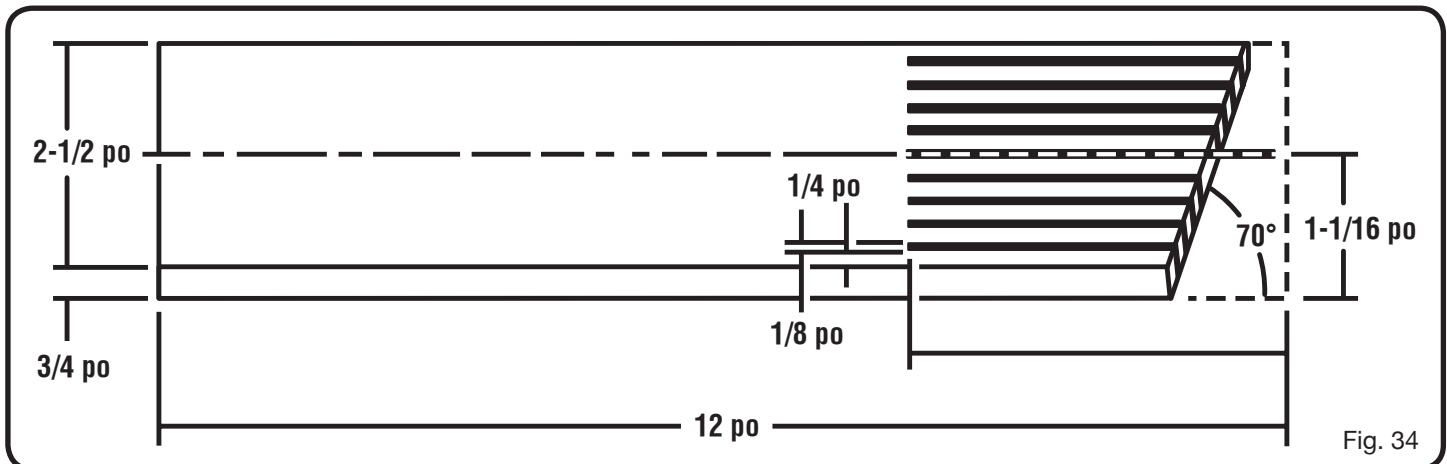
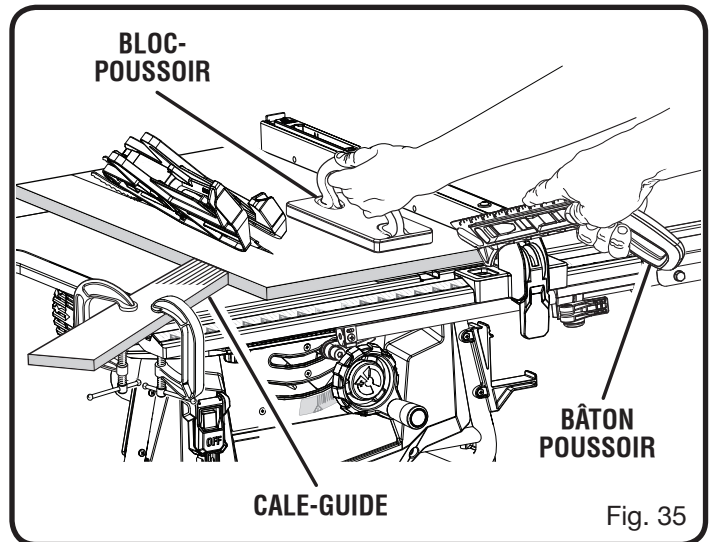
COMMENT INSTALLER UNE CALE-GUIDE

Voir la figure 35.

Abaisser complètement la lame. Placer le guide longitudinal à la distance voulue de la lame pour la coupe et le verrouiller. Placer la pièce à couper contre le guide à proximité de la lame. Ajuster la cale-guide de manière à appliquer une résistance juste en avant de la lame. Utiliser un serre-joints pour mieux maintenir la cale-guide contre le bord de la table de la scie.

⚠ AVERTISSEMENT :

Le cale-guide doit être installé devant la lame. **Ne pas** placer la cale-guide à l'arrière de la lame. Le rebond peuvent être causé par le pincement de la pièce par la cale-guide et le blocage de la lame dans le trait de scie, lorsue l'entaille n'est pas correctement positionnée. Le non-respect de cette mise en garde peut entraîner des blessures graves.



UTILISATION

TYPES DE COUPE

Voir la figure 36.

Il y a six principaux types de coupe : 1) coupe transversale, 2) coupe longitudinale, 3) coupe d'onglet, 4) coupe transversale en biseau, 5) coupe en long en biseau et 6) coupe d'onglet composé (en biseau). Toutes les autres coupes sont des combinaisons de ces six types de coupe. Les méthodes de travail pour chaque type de coupe sont expliquées plus loin dans cette section.

AVERTISSEMENT :

Toujours s'assurer que la garde de lame et les griffes antirebond sont en place et fonctionnent correctement pendant les coupes afin d'éviter le risque de blessures.

Les coupes transversales sont des coupes droites à 90° effectuées en travers du grain de la pièce de bois. La pièce est engagée à 90° par rapport à la lame et celle-ci est verticale.

Les coupes longitudinales sont effectuées dans le sens du grain du bois. Afin d'éviter tout rebond pendant une coupe en long, s'assurer qu'un des côtés de la pièce de bois est fermement appuyée contre le guide.

Les coupes d'onglet sont celles effectuées avec la planche sur toute position autre que 90°. La lame est verticale. Les planches ont tendance à glisser pendant la coupe d'onglets. Cela peut être contrôlé en maintenant la pièce fermement contre le guide d'onglet.

AVERTISSEMENT :

Toujours utiliser un bâton poussoir lors de la coupe longitudinale de pièces longues et étroites afin d'éviter que les mains n'approchent trop de la lame.

Les coupes en biseau sont effectuées avec la lame en biais. Les coupes transversales en biseau sont effectuées contre le grain du bois et les coupes en long en biseau dans le sens du grain.

Les coupes d'onglet composé (ou en biseau) sont effectuées avec une lame en biais, la pièce étant placée en oblique par rapport à la lame. Bien se familiariser avec les coupes transversales, longitudinales, en biseau et d'onglets avant d'essayer d'exécuter une coupe d'onglet composée.

CONSEILS DE COUPE

Les rainages et feuillures sont des coupes non traversantes qui peuvent être soit longitudinales, soit transversales. Lire attentivement et veiller à bien comprendre toutes les sections de ce manuel d'utilisation avant d'entreprendre une coupe quelconque.

AVERTISSEMENT :

Ne pas utiliser de lames dont la vitesse de rotation nominale est inférieure à celle de l'outil. Le non-respect de cet avertissement pourrait entraîner des blessures graves.

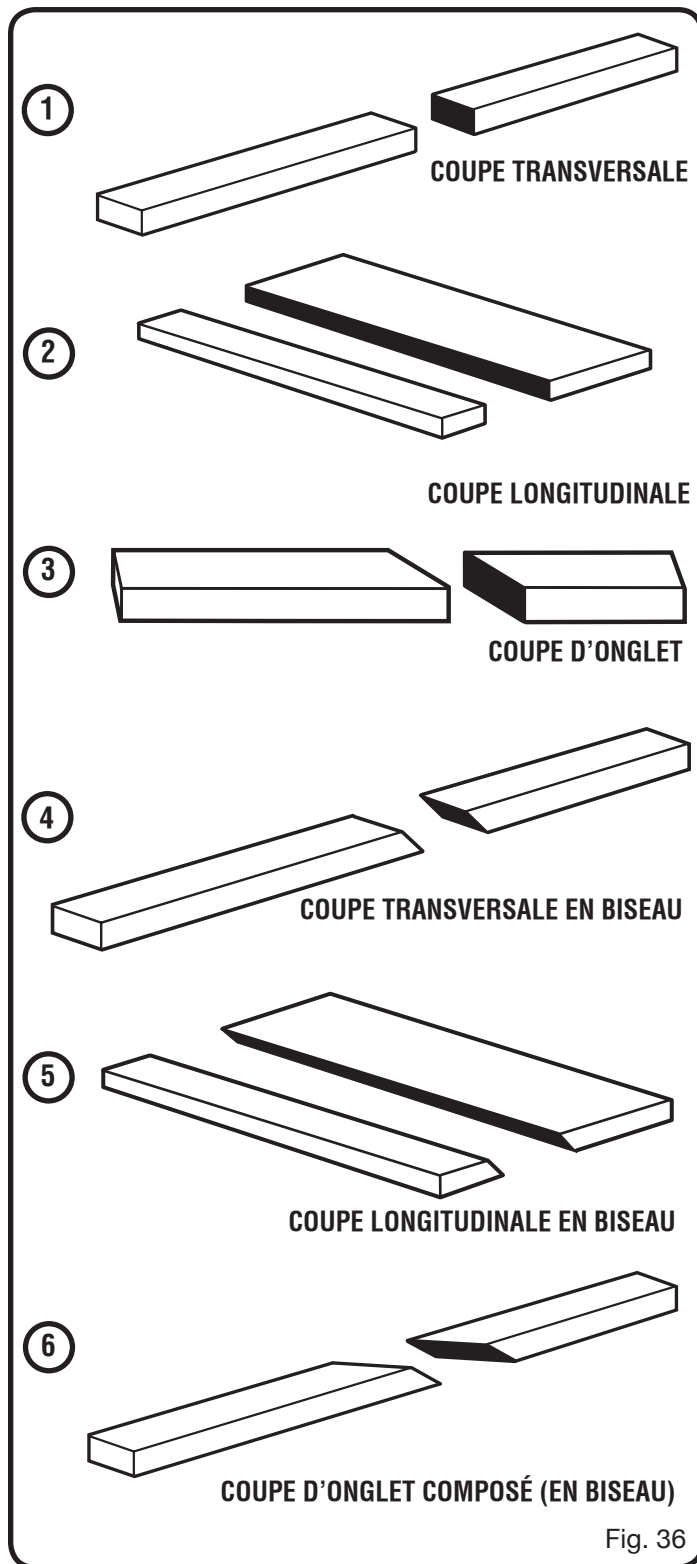


Fig. 36

- Le trait de scie (entaille pratiquée par la lame dans le bois) sera plus large que la lame afin d'éviter une surchauffe ou un blocage. Lors des mesures, ne pas oublier de tenir compte du trait de scie.
- S'assurer que le trait de scie est effectué sur le côté chute de la ligne de mesure.
- Couper le bois côté fini vers le haut.

UTILISATION

- Retirer les noeuds décollés à l'aide d'un marteau avant d'effectuer la coupe.
- Toujours utiliser un support adéquat sous une planche à la sortie de la scie.

RÉGLAGE DE LA PROFONDEUR DE LAME

Voir les figures 37 et 38.

La profondeur de coupe doit être réglée pour que les pointes extérieures des dents de la lame dépassent la pièce de bois d'environ 3 à 6 mm (1/8 à 1/4 po) mais que les points les plus bas (creux) soient au-dessous de la surface supérieure de la pièce.

- Pousser le levier de verrouillage de biseau vers la droite.
- Relever la lame en tournant le volant de réglage de hauteur / biseau vers la droite ou l'abaisser en tournant le volant de réglage vers la gauche.

RÉGLAGE DE L'ANGLE DE LAME (BESEAU)

Voir la figure 38.

La scie à table est équipée d'une commande à crémaillère permettant d'effectuer des coupes en biseau de 90 à 45°.

NOTE : Pour une coupe à 90°, le réglage de biseau est de 0° et pour une coupe à 45°, le réglage est de 45°.

- Débrancher la scie.
- Desserrer la commande de biseau en tournant le levier de verrouillage à fond vers la gauche. S'il est nécessaire de le desserrer davantage, tourner le levier chargé par ressort vers l'extérieur, puis le tourner vers la droite. Relâcher le levier et permet la manette de réglage de lame placer (la serrure) dans sa position originale. Le tourner de nouveau jusqu'à ce qu'il soit desserré.
- Placez le volant de réglage de hauteur vers la droite ajuster le guide de biseau sur l'angle de 45°.
- Resserrer la commande de biseau en tournant le levier de verrouillage vers la droite. S'il est nécessaire de le serrer davantage, tourner le levier chargé par ressort vers l'extérieur, puis le tourner vers la gauche. Relâcher le levier et le laisser retourner à sa position originale. Tourner de nouveau vers la droite. Répéter cette procédure jusqu'à ce que le levier soit fermement serré.

RÉGLAGE DE L'INDICATEUR DE BISEAU

Voir la figure 39.

Si l'indicateur de biseau n'est pas sur zéro lorsque la lame de la scie est à 90°, le régler en desserrant la vis et en le plaçant sur la graduation 0° de l'échelle de biseau. Resserrer la vis.

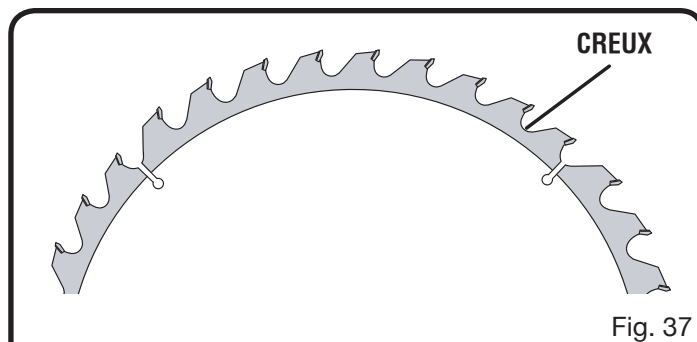


Fig. 37

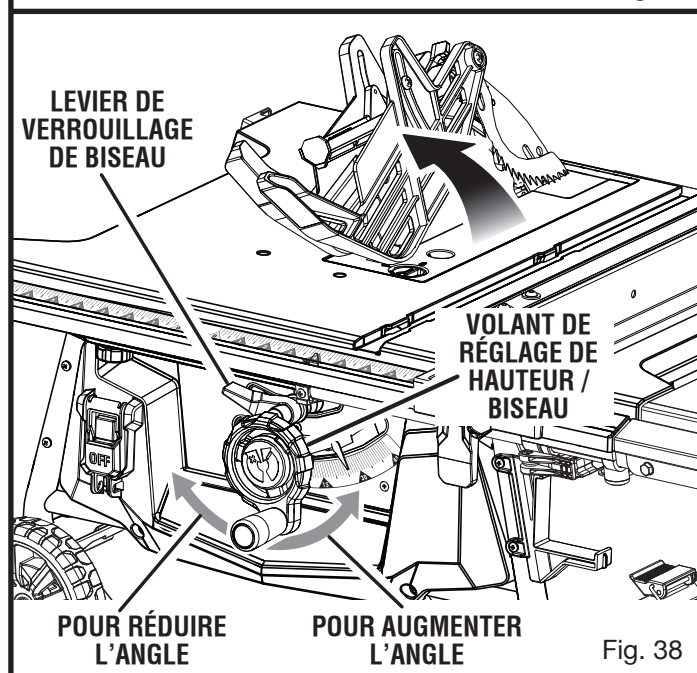


Fig. 38

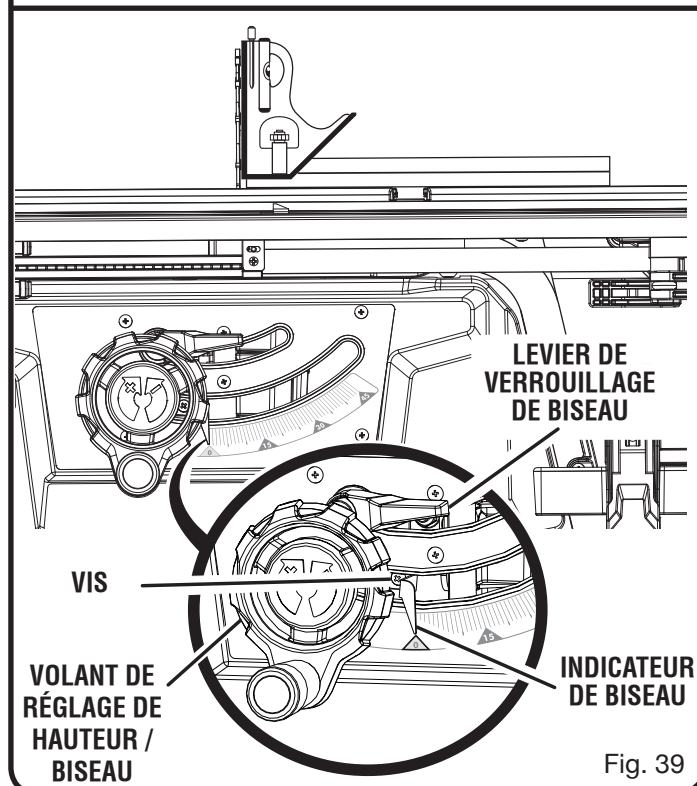


Fig. 39

UTILISATION

UTILISATION DU GUIDE LONGITUDINAL

Voir les figures 40 et 41.

AVERTISSEMENT :

Pour réduire le risque de blessures, toujours vérifier que le guide longitudinal est parallèle à la lame avant de commencer une coupe.

NOTE : Le guide longitudinal fourni avec la scie possède un guide inférieur. Le guide inférieur doit être orienté loin de la lame, lors de la découpe d'un matériau avec une épaisseur supérieure à 19,05 mm (3/4 po). Le guide inférieur doit être orienté vers la lame, lors de la découpe de pièces fines ou étroites. **NE JAMAIS** soutenir le poids d'une pièce à travailler sur le guide inférieur lors d'une coupe.

- Desserrer le guide longitudinal en relevant le levier de verrouillage.
- Placer le rebord arrière du guide sur l'arrière de la scie à table et le tirer légèrement vers l'avant.
- Abaisser l'extrémité avant sur les surfaces de guide du rail avant.
- Vérifier la facilité du glissement.
- Placer le guide longitudinal à la distance voulue de la lame.
- Avec le guide longitudinal à plat sur la table à scie, pousser le guide vers le rail avant pour aligner la guide sur la lame.
- Abaisser le levier de verrouillage pour aligner et bloquer le guide. Si bien verrouillé, le levier de verrouillage devrait être orienté vers le bas.

NOTE : S'assurer que le levier de verrouillage tient bien le guide de refente en place. Si des réglages sont nécessaires, voir **Vérification de l'étanchéité du levier de verrouillage du guide longitudinal** à la section *Réglages* de ce manuel.

NOTE : Si le guide longitudinal n'est pas parallèle à la lame, des ajustements sont nécessaires. Se reporter à la partie **Vérification de l'alignement du guide longitudinal sur la lame** dans la section *Réglages* de ce manuel.

POUR RÉGLER L'ÉCHELLE GRADUÉE SUR LA LAME

Voir la figure 42.

Utiliser l'indicateur sur le guide longitudinal pour positionner le guide par rapport à l'échelle sur le rail devant.

NOTE : Les griffes antibond et ensemble de protège-lame doit être retirée pour effectuer ce réglage. Une fois le réglage effectué, réinstaller le protège-lame.

Commencer avec la lame réglée sur zéro degré (à la verticale).

- Débrancher la scie.
- Desserrer le guide longitudinal en relevant le levier de verrouillage.
- À l'aide d'une équerre de charpentier, régler le guide longitudinal à 2 po (51 mm) de la pointe des dents de la lame.
- Desserrer la vis de l'indicateur et placer ce dernier sur la graduation 51 mm (2 po), comme illustré.
- Resserrer la vis, puis vérifier la dimension et la position du guide longitudinal.

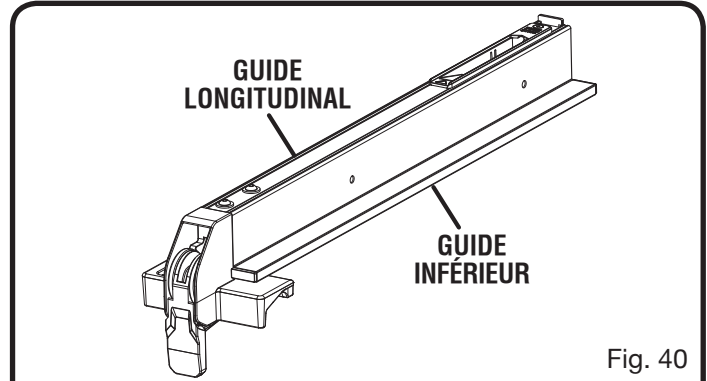


Fig. 40

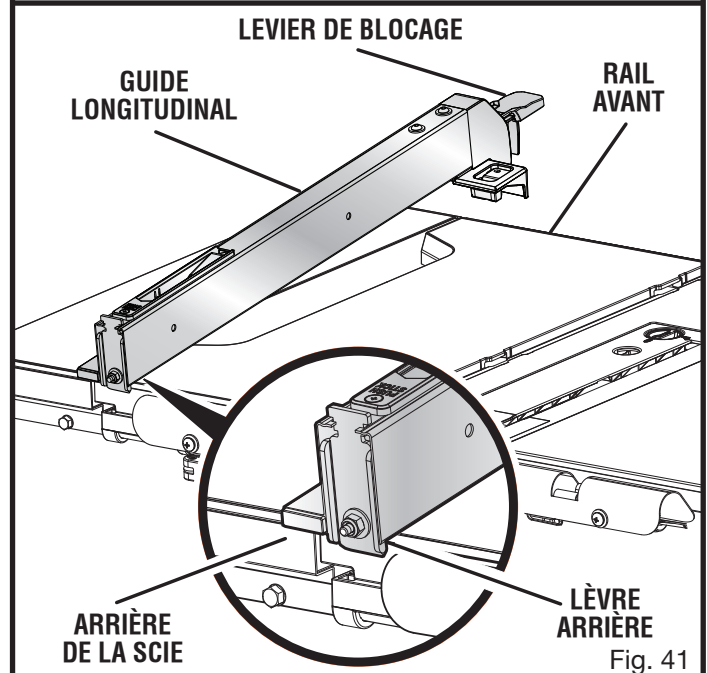


Fig. 41

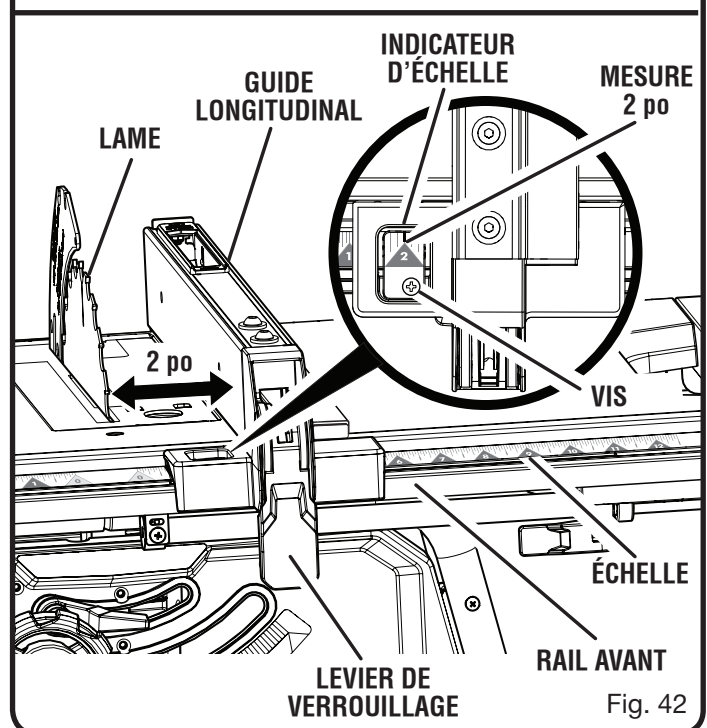


Fig. 42

UTILISATION

UTILISATION DES RALLONGE DE TABLE COULISSANTES

Voir les figures 43 et 44.

Augmenter la longueur de la table de scie à l'aide d'une rallonge.

- Régler le guide longitudinal sur 356 mm (14 po).

⚠ AVERTISSEMENT :

Le guide longitudinal doit être verrouillé à la position de 356 mm (14 po) pour assurer l'exactitude de la mesure de l'échelle secondaire et fournir un support adéquat à la pièce à travailler pendant l'utilisation de la table en position rallongée. Un positionnement inadéquat du guide longitudinal cause des mesures erronées de la pièce à travailler et peut entraîner des blessures graves.

- Déverrouiller le levier de l'avant de la table en le tirant vers soi. Faire de même avec l'autre levier.
- Faire glisser les rallonges pour obtenir la largeur désirée.

NOTE : Utiliser les graduations du rail avant lorsqu'une largeur exacte est désirée.

- Une fois le rallonge de table réglées à la largeur voulue, verrouiller les leviers avant et arrière en les rabattant vers l'arrière de la bas de la scie.

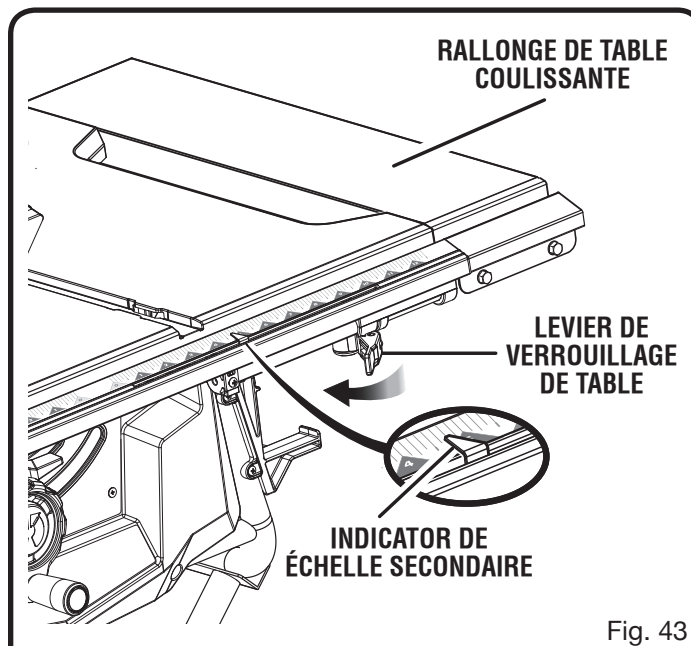


Fig. 43

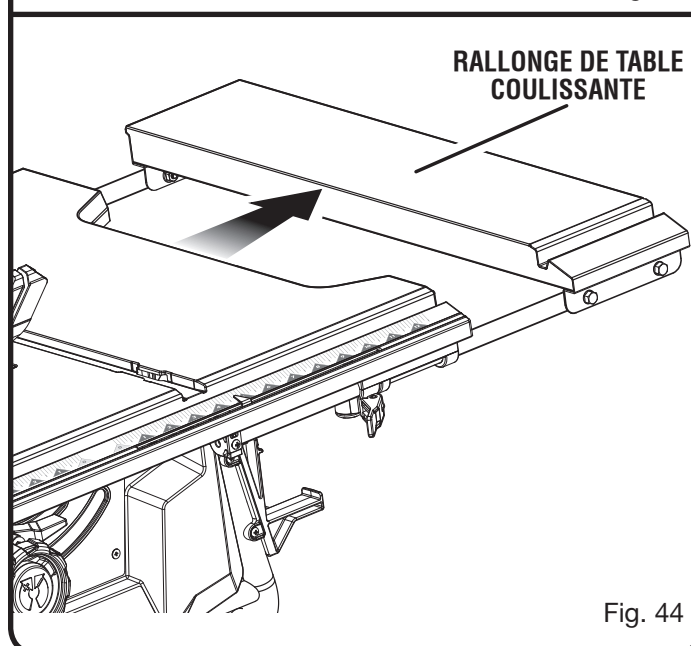


Fig. 44

UTILISATION

UTILISATION DU GUIDE D'ONGLET

Voir la figure 45.

Le guide d'onglet permet d'effectuer des coupes en biais de grande précision. Il est recommandé d'effectuer des coupes d'essai lorsque les tolérances sont réduites.

Le guide d'onglet peut être tourné de 60° à droite ou à gauche.

- Desserrer le bouton de verrouillage.
- Le guide d'onglet étant inséré dans la gorge de la table, le tourner sur l'angle désiré.
- Resserrer le bouton de verrouillage.

RÉGLAGE DE LA LAME PARALLÈLEMENT À LA RAINURE DU GUIDE D'ONGLET (SUPPRESSION DU TALON)

Voir les figures 46 à 48.



AVERTISSEMENT :

La lame doit être parallèle à la rainure du guide d'onglet afin que le pièce ne pince pas la lame, entraînant ainsi un rebond. Ne pas prendre cette précaution peut entraîner des blessures graves.

Ne desserrer aucune bouton pour effectuer ce réglage avant d'avoir vérifié le parallélisme avec une règle et exécuté des coupes d'essai, pour déterminer si des réglages sont nécessaires. Une fois les bouton desserrées, les réglages doivent être refaits.

- Débrancher la scie.
- Retirer la garde de lame, le couteau diviseur et griffes antibond. Relever la lame au maximum en tournant le volant de réglage de hauteur / biseau vers la droite.

NOTE : Pour en savoir plus sur la dépose et la réinstallation du couteau diviseur, voir la partie **Nettoyer les plaques du levier de verrouillage du couteau fendeur** dans la section *Entretien* de ce manuel.

- Tracer un repère à côté de l'une des dents de l'avant de la lame. À l'aide d'une règle, mesurer la distance entre la face intérieure de la dent de lame et le rebord gauche de la rainure du guide d'onglet.

NOTE : Pour une précision accrue, positionner la dent marquée de la lame sur le dessus de la règle.

- Tourner la lame pour que la dent marquée se trouve à l'arrière.
- Déplacer la règle vers l'arrière et mesurer de nouveau la distance entre la face intérieure d'une dent de lame et le rebord gauche de la rainure du guide d'onglet. Si les distances sont identiques, la lame et la rainure du guide à onglet sont parallèles.
- Replacer la garde de lame et le couteau diviseur.

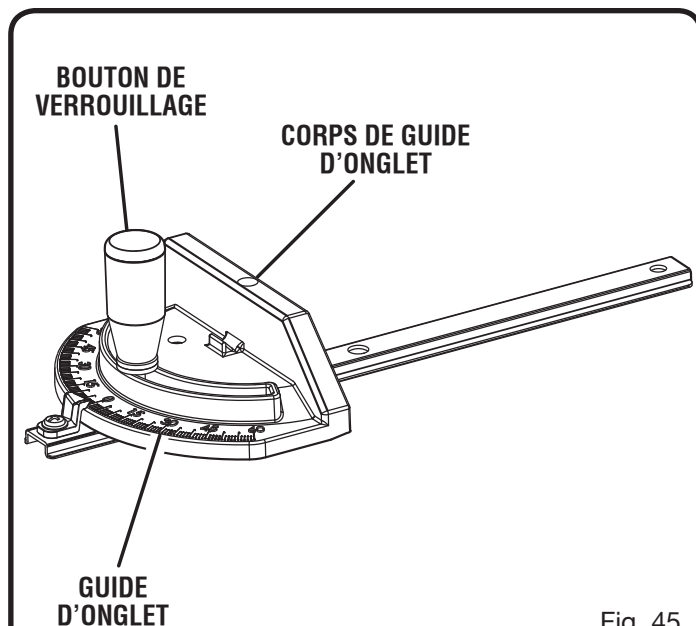


Fig. 45

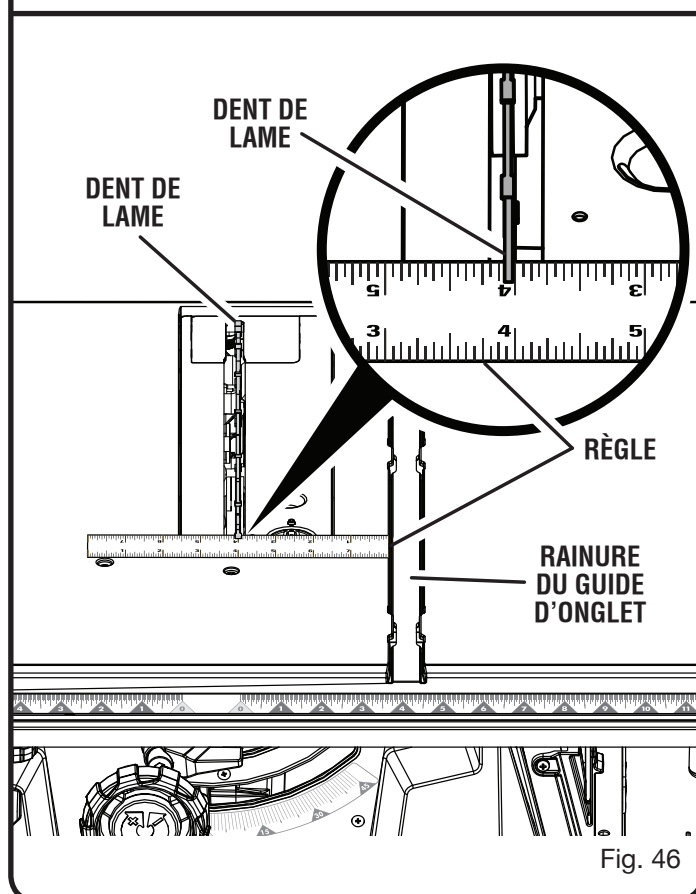


Fig. 46

UTILISATION

Si les distances mesurées sont différentes :

- Retirer la garde de lame, le couteau diviseur et griffes antibond. Relever la lame au maximum en tournant le volant de réglage de hauteur / biseau vers la droite.
- Desserrer les boulons de verrouillage en tournant vers la gauche.

NOTE : Les boulons sont situés au-dessus du volant à main d'ajustement de la hauteur/du biseau et au-dessous de la scie à table sur le devant de la scie.

- Tourner le boulon d'ajustement vers la gauche ou la droite jusqu'à ce que la lame soit correctement alignée.
- Serrer les boulons de verrouillage. Vérifier de nouveau l'alignement et effectuer les réglages éventuels.

AVERTISSEMENT :

Pour réduire le risque des blessures causées par un rebond, alignez le guide à onglet et la lame après chaque ajustement de la lame. Assurez-vous toujours que le guide à onglet soit parallèle à la lame avant de commencer l'utilisation.

EXÉCUTION DE COUPES

AVERTISSEMENT :

Avant d'effectuer des coupes, s'assurer que le support de la scie à table est sur une surface ferme et de niveau avec suffisamment d'espace pour manipuler et soutenir correctement la scie à table et la pièce de travail. S'il est impossible de trouver un emplacement convenable, ne pas utiliser la scie. Opérer la scie dans un emplacement qui ne possède pas suffisamment d'espace ainsi qu'une bonne stabilité pour le support de la scie à table peut produire un risque de basculement et causer des blessures graves.

Cette scie à table peut exécuter un assortiment de coupes qui ne sont pas tout mentionné dans ce manuel. NE PAS tenter de faire n'importe quelles coupes n'ont pas couvert ici à moins que vous êtes à fond familier avec les procédures correctes et les accessoires nécessaires. Votre bibliothèque locale a beaucoup de livres sur la scie à table l'usage et les procédures de travail du bois spécialisé pour votre référence.

La lame fournie avec la scie est une lame mixte de haute qualité qui peut être utilisée pour les coupes longitudinales et transversales. Vérifier attentivement tous les réglages et faire tourner la lame d'un tour complet pour assurer qu'elle tourne librement avant de brancher la scie. Se tenir légèrement sur le trajectoire de la lame pour réduire les possibilités de blessure en cas de rebond.

AVERTISSEMENT :

Ne pas utiliser de lames dont la vitesse de rotation nominale est inférieure à celle de l'outil. Le non respect de cet avertissement pourrait entraîner des blessures graves.

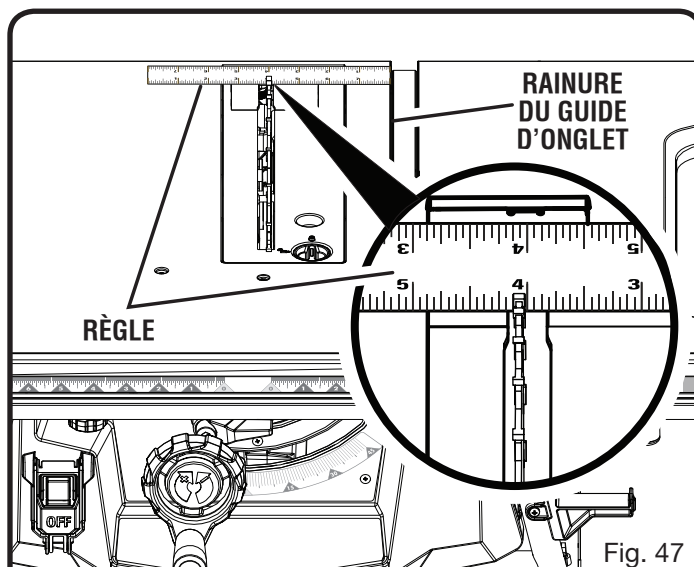


Fig. 47

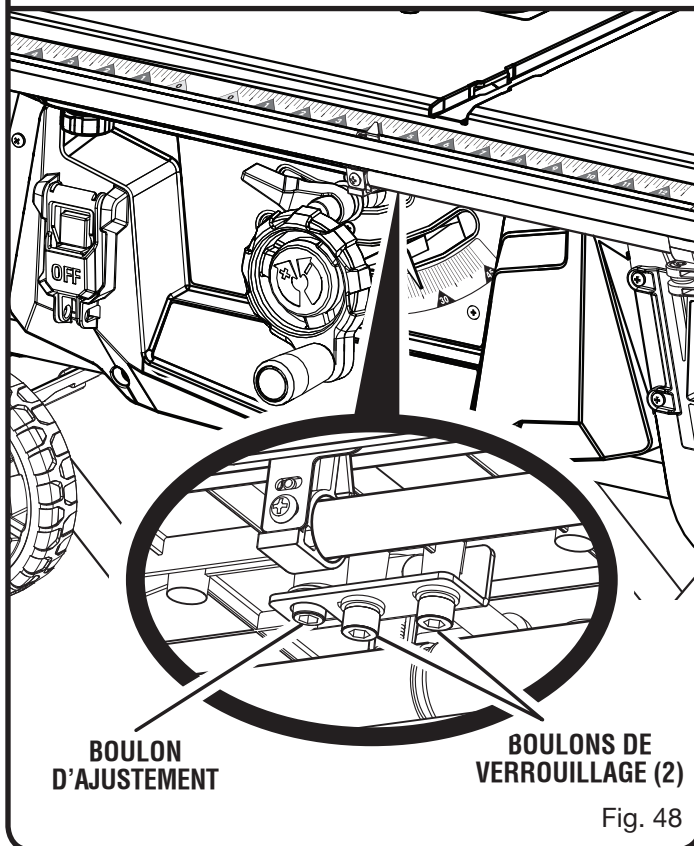


Fig. 48

Utiliser le guide d'onglet lors de coupes transversales, à onglet, en biseau et à onglet composé. Pour verrouiller l'angle, tourner le bouton de verrouillage du guide d'onglet vers la droite. Toujours serrer fermement le bouton de verrouillage avant d'utiliser la scie.

Pendant l'utilisation, le guide à onglet peut se bouger légèrement vers la gauche ou la droite, à l'intérieur de la rainure du guide à onglet. Pour une meilleure précision lors des découpes, appuyer le guide à onglet contre le bord gauche ou droit de la rainure du guide à onglet. Ne pas laisser le guide se déplacer d'un côté à l'autre.

UTILISATION

Lors de la coupe, toujours placer la pièce à travailler contre la face du guide à onglet. Pour empêcher la pièce à travailler de bouger, attacher un morceau de papier abrasif sur la face du guide à onglet.

NOTE : Il est recommandé de placer la pièce à conserver sur le même côté de la lame que le guide d'onglet et de d'abord faire un essai sur une chute de bois.

POUR EFFECTUER UNE COUPE TRANSVERSALE

Voir les figures 49 - 51.

AVERTISSEMENT :

Pour éviter des risques de blessures graves, s'assurer que la garde de lame est installée et fonctionne correctement.

AVERTISSEMENT :

Lors d'une coupe transversale, l'utilisation du guide longitudinal causerait un rebond pouvant causer des blessures graves.

- Retirer le guide longitudinal.
- Régler la lame sur la profondeur de coupe correcte pour la pièce.
- Régler le guide d'onglet sur 0° et serrer le bouton de verrouillage.
- Avant de mettre la scie en marche, s'assurer que la pièce ne touche pas la lame.
- Appuyer sur le bouton supérieur du commutateur pour mettre la scie en marche.

NOTE : Il n'est pas nécessaire de soulever le cache du commutateur pour utiliser le commutateur.

- Appuyer sur le bouton inférieur du commutateur pour éteindre la scie.

NOTE : Pour éviter toute utilisation non autorisée, installer un cadenas (non compris) à travers les trous du commutateur et du cache, comme il est illustré à la figure 50.

- Laisser la lame parvenir à sa vitesse maximale avant d'engager la pièce.
- Maintenir la pièce fermement avec les deux mains sur le guide d'onglet et engager la pièce sur la lame.

NOTE : La main la plus proche de la lame doit être placée sur le bouton de verrouillage du guide d'onglet et la main la plus éloignée, sur la pièce à couper.

- Une fois la coupe effectuée, arrêter la scie. Attendre que la lame s'arrête complètement avant de retirer la pièce.

COUPE TRANSVERSALE

PLACER LA MAIN DROITE SUR LA PIÈCE À COUPER ET LE GUIDE D'ONGLET ICI

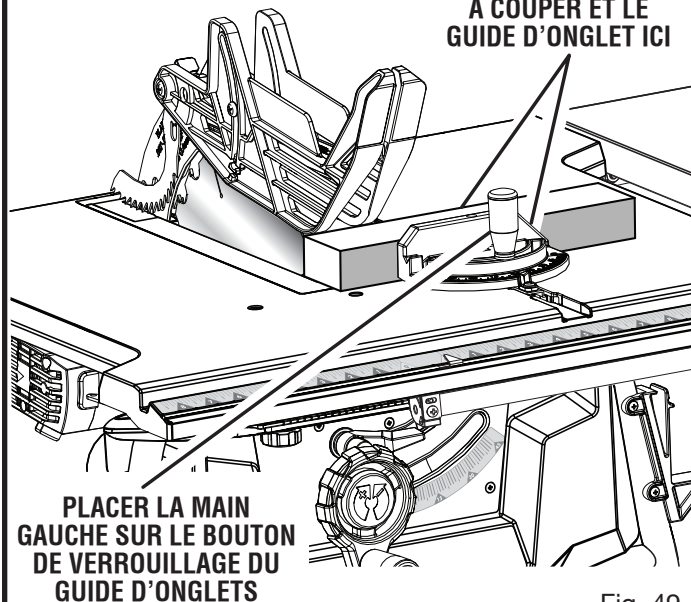
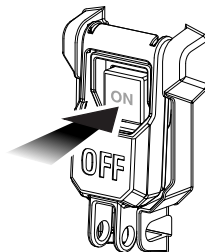
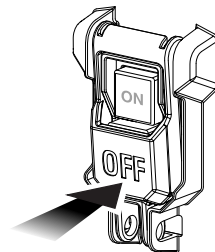


Fig. 49

COMMUTATEUR EN POSITION DE MARCHÉ



COMMUTATEUR EN POSITION D'ARRÊT



COMMUTATEUR EN POSITION VERROUILLÉE

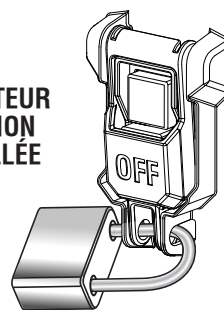


Fig. 50

UTILISATION

Pour effectuer des coupes transversales répétitives :

Un bloc d'arrêt peut servir comme guide d'arrêt pour réaliser des coupes transversales répétitives de même longueur sans avoir à marquer la pièce à travailler pour chaque coupe. L'extrémité d'un bloc d'arrêt doit toujours être devant la lame. NE JAMAIS utiliser le guide longitudinal comme guide d'arrêt.

- Enlever le guide longitudinal.
- Régler la lame sur la profondeur adéquate pour la pièce à travailler.
- Régler le guide à onglet sur 0° et serrer le bouton de verrouillage.
- Mettre un bloc de bois de 76,20 mm (3 po) à la distance souhaitée de la lame pour servir de guide d'arrêt.
- Sécuriser le bloc d'arrêt en place avec un étau ou un serre-joint.

AVERTISSEMENT :

Une fois le bloc d'arrêt sécurisé, son extrémité doit se trouver devant la lame. En sécurisant le bloc d'arrêt au-delà du devant de la lame, un rebond se produira et pourrait ainsi entraîner des blessures graves.

- Placer la pièce à travailler sur le guide à onglet avec le bord affleurant le bloc d'arrêt.
- Pour découper une pièce longue ou large, placer au besoin un support de même hauteur que la surface de la table à l'avant de la scie, derrière la scie et sur les côtés de la scie.
- Mettre la scie en marche.
- Tenir fermement la pièce à travailler avec les deux mains sur le guide à onglet et avancer la pièce vers la lame.

NOTE : La main la plus proche de la lame doit être posée sur le bouton de verrouillage du guide à onglet et la main la plus loin de la lame doit reposer sur la pièce à travailler.

- Quand la coupe est terminée, éteindre la scie. Attendre que la lame s'arrête complètement avant d'enlever la pièce coupée.
- Remettre le guide à onglet à l'avant de la scie et positionner la pièce à travailler pour la prochaine coupe.
- Après la dernière coupe, éteindre la scie. Attendre que la lame s'arrête complètement, puis enlever le bloc d'arrêt.

COUPE LONGITUDINALE

Voir les figures 52 et 53.

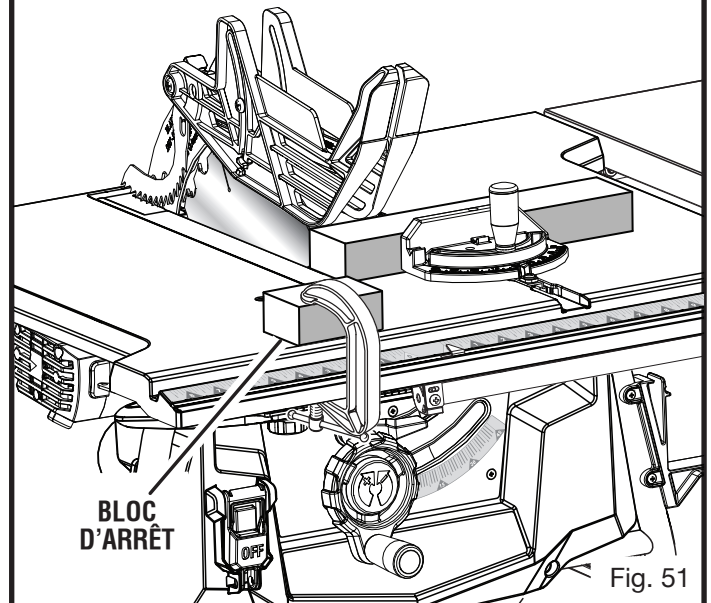
AVERTISSEMENT :

Afin d'éviter le risque de blessures graves, s'assurer que la garde de lame est installée et fonctionne correctement.

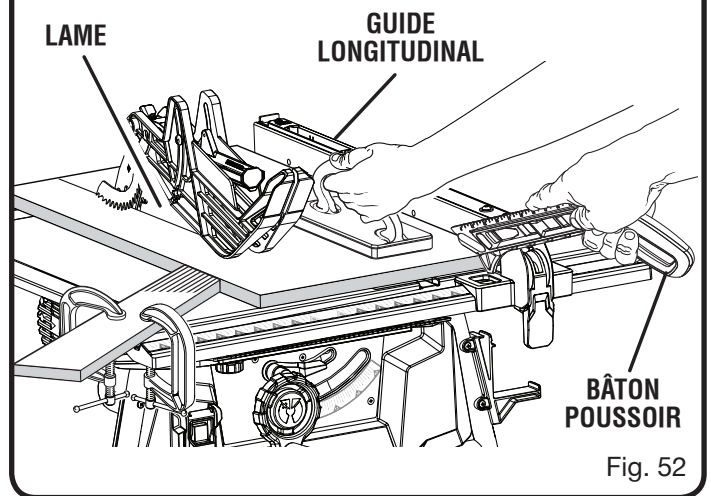
AVERTISSEMENT :

Pour éviter de coincer le bois et causer un rebond, le guide d'onglet doit toujours se trouver sur la droite de la lame. Le placement du guide d'onglet sur la gauche de la lame causerait un rebond susceptible d'entraîner des blessures graves.

COUPES TRANSVERSALES RÉPÉTITIVES



COUPE LONGITUDINALE



- Régler la lame sur la profondeur de coupe correcte pour la pièce.

- Placer le guide longitudinal à la distance voulue de la lame pour la coupe et verrouiller fermement la poignée.

NOTE: Ne pas placer le guide longitudinal à gauche de la lame, lors de la découpe d'un matériau avec une épaisseur supérieure à 19,05 mm (3/4 po). Les pièces à travailler d'une épaisseur supérieure à 19,05 mm (3/4 po) peuvent être instables et nécessiter d'autres soutiens pour assurer la stabilité lors de la découpe.

- Pour découper une pièce longue ou large, placer au besoin un support de même hauteur que la surface de la table à l'avant de la scie, derrière la scie et sur les côtés de la scie.
- Installer la cale-guide en la position appropriée pour le type de coupe.

UTILISATION

- Avant d'allumer la scie, s'assurer que la pièce ne touche pas la lame.
- Mettre le commutateur en position de marche.
- Placer la pièce à couper à plat sur la table, son bord solidement appuyé contre le guide longitudinal. Laisser la lame parvenir à sa vitesse maximum avant d'engager la pièce.
- Avec un bloc et/ou un bâton poussoir, pousser lentement la pièce vers la lame. Se tenir légèrement sur le côté du bois au moment du contact avec la lame pour réduire les possibilités de blessure en cas de rebond.
- Une fois la pièce en contact avec la lame, utiliser la main la plus proche du guide longitudinal pour guider la pièce. S'assurer que le bord de la pièce est fermement en contact avec le guide longitudinal et la surface de la table. Lors de la refente d'une pièce de travail étroite, utiliser un bâton poussoir, un bloc poussoir et/ou un gabarit pour la refente d'une pièce étroite pour déplacer la pièce dans la zone de coupe et au-delà de la lame.
- Une fois la coupe effectuée, arrêter la scie. Attendre que la lame s'arrête complètement avant de retirer la pièce.

Pour réaliser des coupes longitudinales d'une largeur inférieure à 50,80 mm (2 po) :

Si un gabarit longitudinal étroit n'est pas utilisé, le guide longitudinal fourni avec la scie est équipé d'un guide inférieur pour permettre les coupes longitudinales étroites.

AVERTISSEMENT :

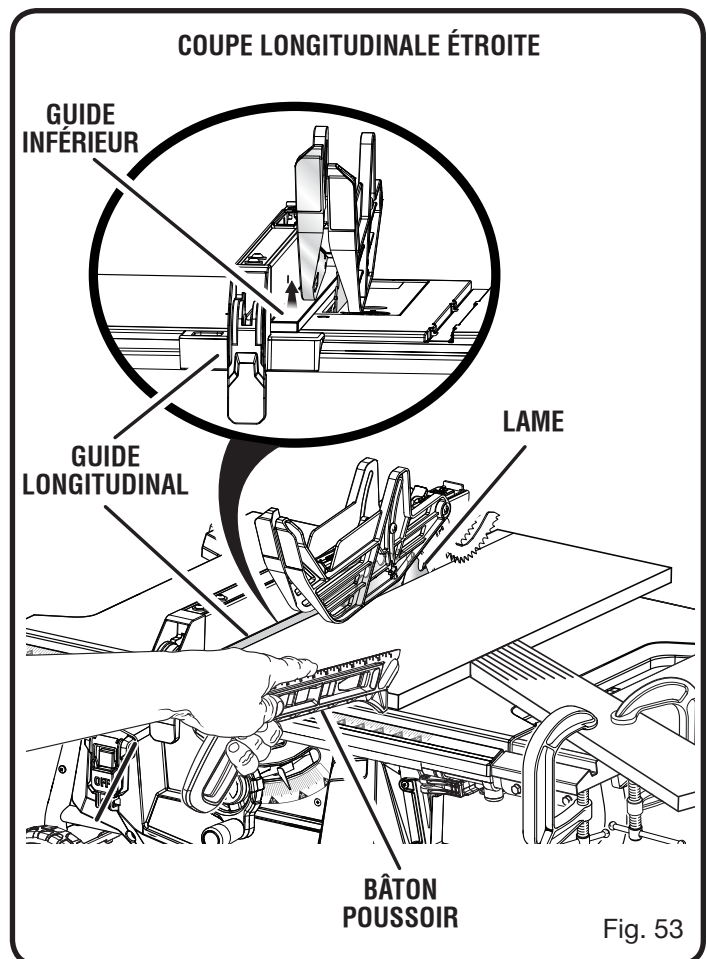
Au moment de réaliser des coupes longitudinales étroites, s'assurer que la pièce à couper ne puisse pas tomber dans la plaque à gorge de la scie. Si cette pièce tombe dans la plaque à gorge, cela peut endommager la garde sous la table et créer une situation dangereuse pour l'utilisateur.

- Déverrouiller le guide longitudinal et le placer à gauche de la lame.
NOTE : Le guide longitudinal fourni avec la scie possède un guide inférieur. Le guide inférieur doit être orienté loin de la lame, lors de la découpe d'un matériau avec une épaisseur supérieure à 19,05 mm (3/4 po). Le guide inférieur doit être orienté vers la lame, lors de la découpe de pièces fines ou étroites.
- Soulever l'entrave gauche du protège-lame et l'abaisser sur la pièce à travailler ou le guide longitudinal étroit, afin de couvrir la zone de coupe pendant cette opération.
- Sécuriser le guide longitudinal.
- Placer la pièce à travailler à plat sur la table avec le bord affleurant le guide inférieur.

- À l'aide d'un bloc poussoir ou d'un bâton poussoir, réaliser la coupe longitudinale. Consulter la partie précédente **Coupe longitudinale** dans cette section.

NOTE : Cette technique est destinée aux coupes longitudinales étroites des pièces à travailler d'une épaisseur égale ou inférieure à 19,05 mm (3/4 po). Pour effectuer des coupes longitudinales étroites sur un matériau plus épais, utiliser un gabarit longitudinal étroit. Consulter la partie précédente **Comment Faire une sauteuse (pour la coupe longitudinal la refente des planches pièce)** dans cette section.

NOTE : L'opération de coupe illustrée à la figure 53 positionnera en résultat la pièce sauvegardée entre le guide longitudinal et le côté gauche de la lame. Alternativement, il est possible de placer le guide longitudinal et la partie large de la pièce à travailler sur le côté gauche de la lame, ce qui placera la pièce sauvegardée sur la droite.



UTILISATION

COUPE D'ONGLET

Voir la figure 54.

AVERTISSEMENT :

Afin d'éviter le risque de blessures graves, s'assurer que la garde de lame est installée et fonctionne correctement.

- Retirer le guide longitudinal.
 - Régler la lame sur la profondeur de coupe correcte pour la pièce.
 - Régler le guide d'onglet sur l'angle voulu et serrer le bouton de verrouillage.
 - Avant de mettre la scie en marche, s'assurer que la pièce ne touche pas la lame.
 - Mettre le commutateur en position de marche.
 - Laisser la lame parvenir à sa vitesse maximale avant d'engager la pièce.
 - Maintenir la pièce fermement avec les deux mains sur le guide d'onglet et engager la pièce sur la lame.
- NOTE:** La main la plus proche de la lame doit être placée sur le bouton de verrouillage du guide d'onglet et la main la plus éloignée, sur la pièce à couper.
- Une fois la coupe effectuée, arrêter la scie. Attendre que la lame s'arrête complètement avant de retirer la pièce.

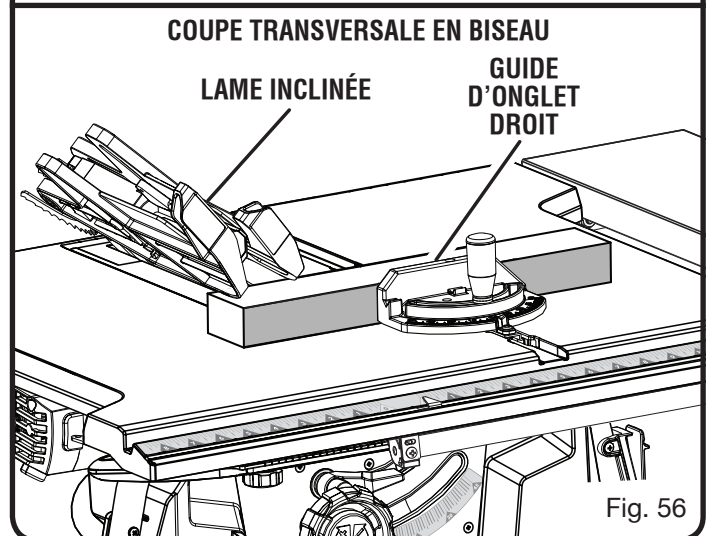
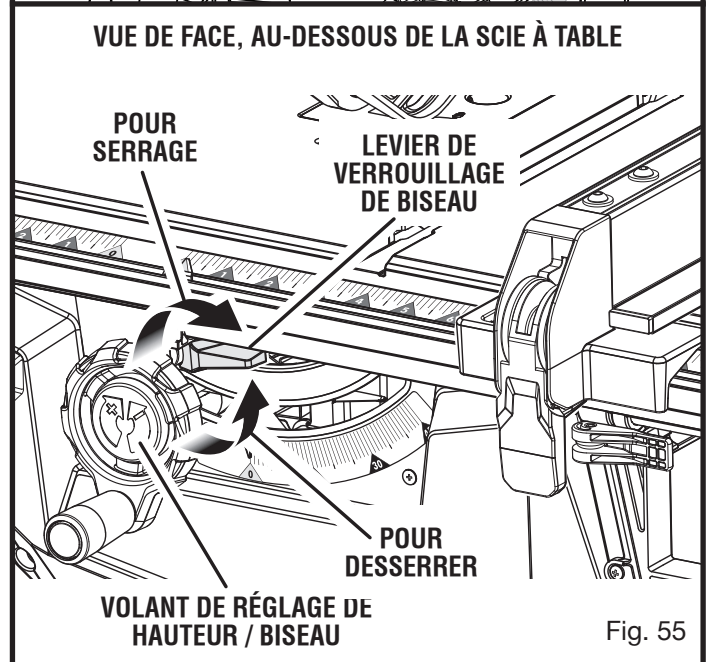
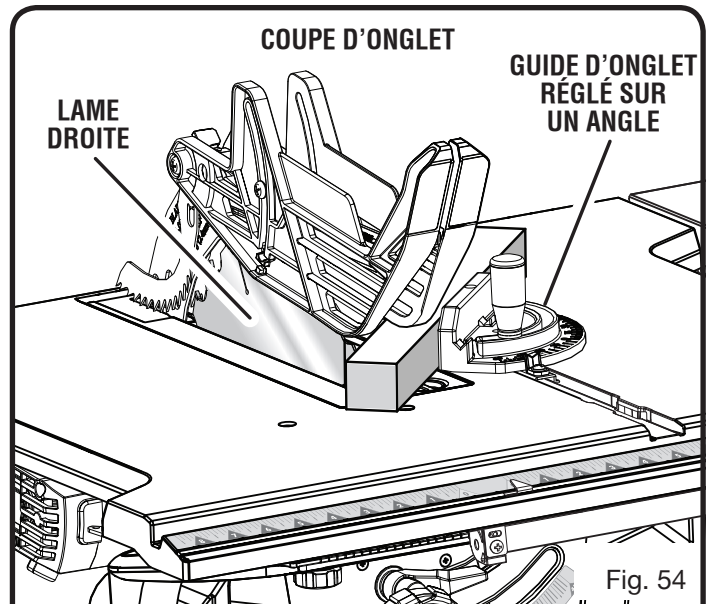
COUPE TRANSVERSALE EN BISEAU

Voir les figures 55 et 56.

AVERTISSEMENT :

Afin d'éviter le risque de blessures graves, s'assurer que la garde de lame est installée et fonctionne correctement.

- Retirer le guide longitudinal.
 - Désengager le levier de verrouillage de biseau.
 - Ajuster le guide de biseau sur l'angle désiré.
 - Engager le levier de verrouillage de biseau.
 - Régler la lame sur la profondeur de coupe correcte pour la pièce.
 - Régler le guide d'onglet sur 0° et serrer le bouton de verrouillage.
 - Avant de mettre la scie en marche, s'assurer que la pièce ne touche pas la lame.
 - Mettre le commutateur en position de marche.
 - Laisser la lame parvenir à sa vitesse maximale avant d'engager la pièce.
 - Maintenir la pièce fermement avec les deux mains sur le guide d'onglet et engager la pièce sur la lame.
- NOTE:** La main la plus proche de la lame doit être placée sur le bouton de verrouillage du guide d'onglet et la main la plus éloignée, sur la pièce à couper.
- Une fois la coupe effectuée, arrêter la scie. Attendre que la lame s'arrête complètement avant de retirer la pièce.



UTILISATION

COUPE LONGITUDINALE EN BISEAU

Voir la figure 57.

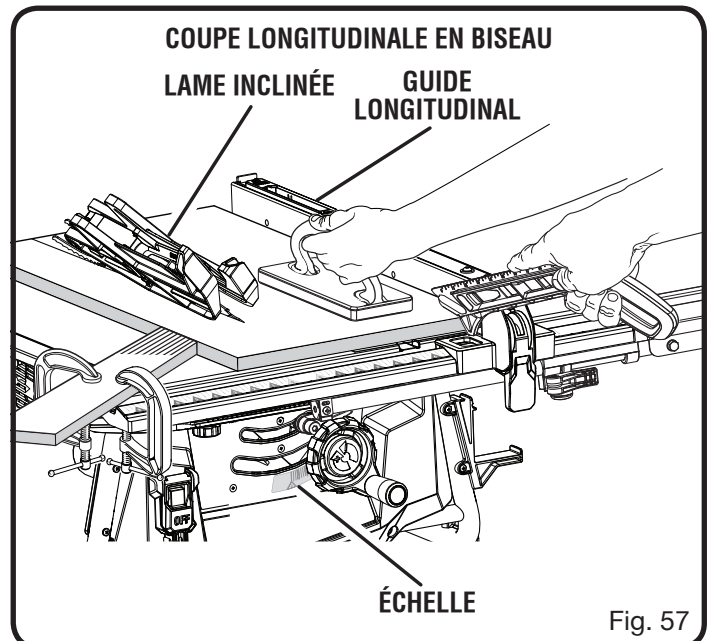
AVERTISSEMENT :

Afin d'éviter le risque de blessures graves, s'assurer que la garde de lame est installée et fonctionne correctement.

AVERTISSEMENT :

Pour éviter de coincer le bois et causer un rebond, le guide longitudinal doit toujours se trouver sur la droite de la lame. Le placement du guide longitudinal sur la gauche de la lame causerait un rebond susceptible d'entraîner des blessures graves.

- Retirer la guide d'onglet.
- Installer la cale-guide en la position appropriée pour le type de coupe.
- Désengager le levier de verrouillage de biseau.
- Ajuster le guide de biseau sur l'angle désiré.
- Engager le levier de verrouillage de biseau.
- Régler la lame sur la profondeur de coupe correcte pour la pièce.
- Placer le guide longitudinal à la distance voulue, à la gauche de la lame et verrouiller la poignée.
- Avant de mettre la scie en marche, s'assurer que la pièce ne touche pas la lame.
- Pour découper une pièce longue ou large, placer au besoin un support de même hauteur que la surface de la table à l'avant de la scie, derrière la scie et sur les côtés de la scie.
- Mettre le commutateur en position de marche.



- Placer la pièce à couper à plat sur la table, son bord solidement appuyé contre le guide longitudinal. Laisser la lame parvenir à sa vitesse maximum avant d'engager la pièce.
- Avec un bloc et/ou un bâton poussoir, pousser lentement la pièce vers la lame. Se tenir légèrement sur le côté du bois au moment du contact avec la lame pour réduire les possibilités de blessure en cas de rebond.
- Une fois la pièce en contact avec la lame, utiliser la main la plus proche du guide longitudinal pour guider la pièce. S'assurer que le bord de la pièce est fermement en contact avec le guide longitudinal et la surface de la table. Lors de la coupe longitudinale d'une pièce étroite, la pousser bâton et/ou block poussoir jusqu'au delà de la lame.
- Une fois la coupe effectuée, arrêter la scie. Attendre que la lame s'arrête complètement avant de retirer la pièce.

UTILISATION

COUPE D'ONGLET COMPOSÉ (EN BISEAU)

Voir la figure 58.

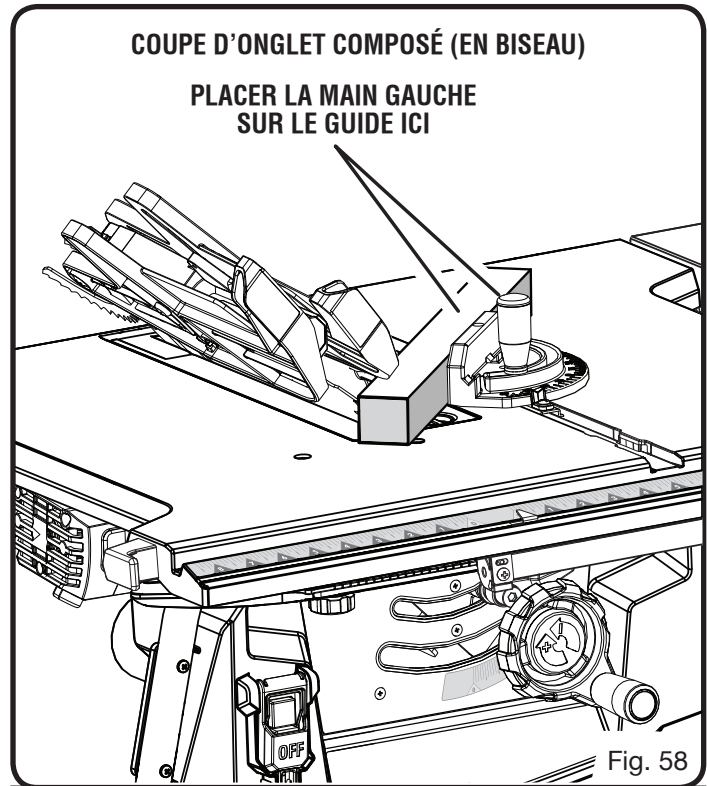
AVERTISSEMENT :

Afin d'éviter le risque de blessures graves, s'assurer que la garde de lame est installée et fonctionne correctement.

- Retirer le guide longitudinal.
- Désengager le levier de verrouillage de biseau.
- Ajuster le guide de biseau sur l'angle désiré.
- Engager le levier de verrouillage de biseau.
- Régler la lame sur la profondeur de coupe correcte.
- Régler le guide d'onglet sur l'angle voulu et serrer le bouton de verrouillage.
- Avant de mettre la scie en marche, s'assurer que le pièce ne touche pas la lame.
- Mettre le commutateur en position de marche.
- Laisser la lame parvenir à sa vitesse maximale avant d'engager la pièce.
- Maintenir la pièce fermement avec les deux mains sur le guide d'onglet et engager la pièce sur la lame.

NOTE : La main la plus proche de la lame doit être placée sur le bouton de verrouillage du guide d'onglet et la main la plus éloignée, sur la pièce à couper.

- Une fois la coupe effectuée, arrêter la scie. Attendre que la lame s'arrête complètement avant de retirer la pièce.



UTILISATION

COUPE D'UNE PIÈCE DE GRANDE TAILLE

Voir la figure 59.

S'assurer que la scie est solidement assujettie sur le plan de travail, afin que le poids d'une grande planche ne risque pas de la faire basculer.

AVERTISSEMENT :

Afin d'éviter le risque de blessures graves, s'assurer que la garde de lame est installée et fonctionne correctement.

AVERTISSEMENT :

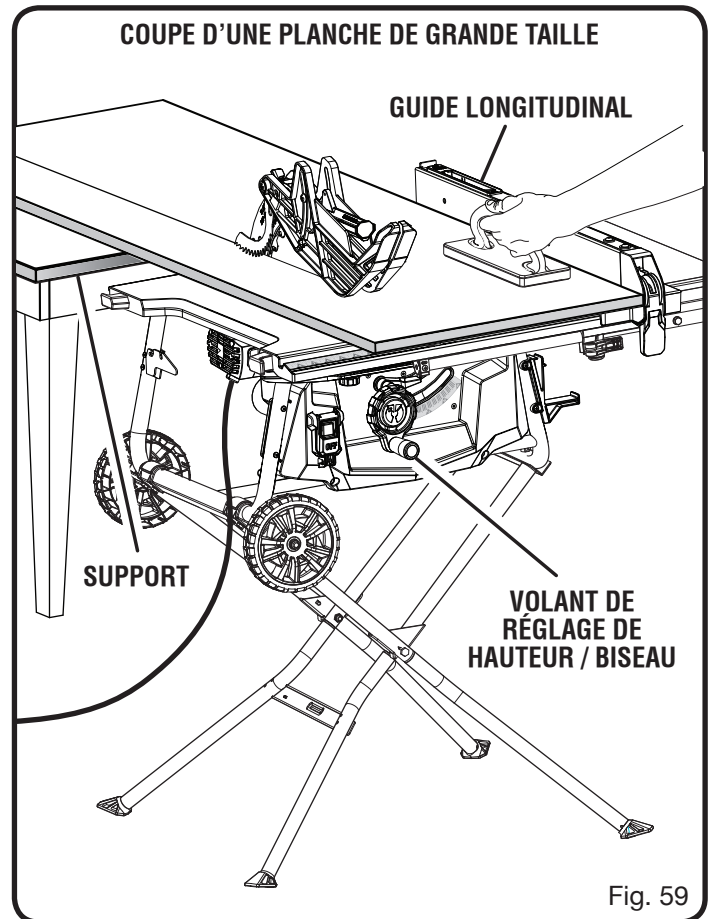
Ne jamais effectuer de coupes à main levée (coupes sans le guide d'onglet ou le guide longitudinal). Main levée les pièces peuvent entraîner des blessures graves.

- Installer la cale-guide en la position appropriée pour le type de coupe.
- Pour découper une pièce longue ou large, placer au besoin un support de même hauteur que la surface de la table à l'avant de la scie, derrière la scie et sur les côtés de la scie.

AVERTISSEMENT :

Un soutien incorrect de la pièce de travail sur le côté et/ou le côté sortant de la scie peut créer un mouvement inattendu de la pièce de travail et/ou la scie, ce qui peut entraîner des blessures corporelles graves.

- Selon la forme de la planche, utiliser le guide longitudinal ou le guide d'onglet. Si la planche est trop grande pour permettre d'utiliser le guide longitudinal ou le guide d'onglet, elle est trop grande pour cette scie.
- Avant de mettre la scie en marche, s'assurer que la pièce ne touche pas la lame.
- Mettre le commutateur en position de marche.
- Placer la pièce à couper à plat sur la table, son bord solidement appuyé contre le guide longitudinal. Laisser la lame parvenir à sa vitesse maximum avant d'engager la pièce.



- Avec un bloc et/ou un bâton poussoir, pousser lentement la pièce vers la lame. Se tenir légèrement sur le côté du bois au moment du contact avec la lame pour réduire les possibilités de blessure en cas de rebond.
- Une fois la pièce en contact avec la lame, utiliser la main la plus proche du guide longitudinal pour guider la pièce. S'assurer que le bord de la pièce est fermement en contact avec le guide longitudinal et la surface de la table. Lors de la coupe longitudinale d'une pièce étroite, la pousser bâton et/ou block poussoir jusqu'au delà de la lame.
- Une fois la coupe effectuée, arrêter la scie. Attendre que la lame s'arrête complètement avant de retirer la pièce.

UTILISATION

COUPE NON TRAVERSANTE

Voir la figure 60.

Les coupes non traversantes (a fait avec une norme lame de 10 po) peuvent être effectuées avec le grain (longitudinale) ou contre le grain (transversale). L'utilisation d'une coupe non traversante est essentielle pour couper les rainures et les feuillures. Seul ce type de coupe est effectué sans le garde lame. S'assurer que la garde de lame est réinstallée après avoir exécuté de telles coupes. Outre la présente section sur les coupes non traversantes ou de rainage, lire la section appropriée sur le type de coupe. Par exemple, si la coupe non traversante est transversale, lire et comprendre la section sur les coupes transversales avant de procéder.

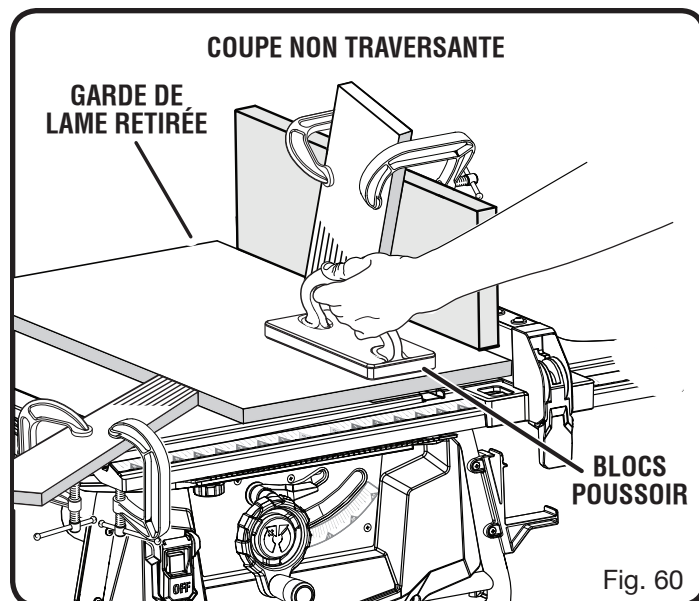
AVERTISSEMENT :

Lors d'une coupe non traversante, la lame est couverte par la pièce pendant la plus grande partie de la coupe. Se méfier de la lame exposée au début et à la fin de chaque coupe pour éviter le risque de blessures graves.

AVERTISSEMENT :

Avec les coupes non traversantes telles que les feuillures ou les rainages, ne jamais engager le bois avec les mains. Pour éviter des blessures, toujours utiliser un bloc / bâton poussoir et des cales guide.

- Débrancher la scie.
- Retirer la garde de lame
- Placer le couteau diviseur en la position « en bas ».
- Désengager le levier de verrouillage de biseau.
- Ajuster le guide de biseau sur l'angle 0°.
- Engager le levier de verrouillage de biseau.
- Régler la profondeur de lame correcte pour la pièce.
- Selon la forme et de la taille du bois, utiliser le guide longitudinal ou le guide d'onglet.



- Brancher la scie et tourner le scie.
- Laisser la lame parvenir à sa vitesse maximale avant d'engager la pièce.
- Toujours utiliser un bloc poussoir, un bâton poussoir et/ou une cale-guide appropriée lors des coupes non traversantes, pour réduire des blessures graves.
- Une fois la coupe effectuée, arrêter la scie. Attendre que la lame s'arrête complètement avant de retirer la pièce.

NOTE : Une coupe longitudinale non traversante est illustrée à la figure ci-dessus. Pour réaliser des coupes transversales non traversantes, enlever le protège-lame et les griffes antibond. Placer le couteau diviseur en position « en bas » et effectuer la coupe transversale. Voir la partie précédente **Coupe transversale** dans cette section.

Une fois toutes les coupes non traversantes terminées :

- Débrancher la scie.
- Placer le couteau diviseur en la position « en haut ».
- Réinstaller la garde de lame.

UTILISATION

EXÉCUTION D'UN RAINAGE

Voir la figure 61.

Une plaque à gorge spéciale en option est requise pour cette procédure (voir la section *Accessoires* de ce manuel et consulter le magasin le plus proche). Toutes les lames standard, à rainurer et moulurer doivent présenter une vitesse de rotation nominale est inférieure à celle de l'outil. La scie est conçue pour être utilisée avec des lames à rainure double de 152,4 mm (6 po) (avec une épaisseur jusqu'à 13 mm [1/2 po]). Ne pas utiliser une lame réglable ou les coupeurs de moulure sur cette scie.

Les coupes de feuillure sont des coupes de rainurage faites sur l'extrémité d'une pièce à travailler. Pour obtenir de meilleurs résultats, réaliser les coupes de feuillure à l'aide d'une lame à rainurer.

NOTE : Utiliser un guide auxiliaire pour les coupes de feuillure, afin d'éviter que la face du guide longitudinal ne touche la lame à rainurer pendant la découpe.

AVERTISSEMENT :

Lors d'une coupe non traversante, la lame est couverte par la pièce pendant la plus grande partie de la coupe. Se méfier de la lame exposée au début et à la fin de chaque coupe pour éviter le risque de blessures graves.

AVERTISSEMENT :

Toujours mettre l'ensemble des rondelles de lame au point approprié au moment de réinstaller une lame standard. Ne pas respecter cette directive peut causer des blessures et endommager l'outil.

AVERTISSEMENT :

Toujours utiliser un bloc pousoir, un bâton pousoir et/ou une cale-guide lors du rainage, pour éviter des blessures graves.

- Débrancher la scie.
- Retirer la garde de lame, plaque à gorge, et couteau diviseur.
NOTE : Pour en savoir plus sur la dépose et la réinstallation du couteau diviseur, voir la partie **Nettoyer les plaques du levier de verrouillage du couteau fendeur** dans la section Entretien de ce manuel.
- Retirer écrou de lame, rondelle de lame et lame de scie.
NOTE : Toujours emmagasiner la rondelle de lame et la plaque à gorge dans un emplacement assuré.
- Monter la lame, selon les instructions de fabricant, à rainurer à l'aide de la lame et des cales appropriées pour obtenir la largeur de coupe désirée.
- Réinstaller et serrer fermement l'écrou de lame.
NOTE : La rondelle de lame ne peut être utilisée que si l'axe dépasse légèrement de l'écrou.
- S'assurer que écrou de lame est pleinement engagé et l'axe dépasse d'au moins un filetage complet de écrou de lame fermement serré.

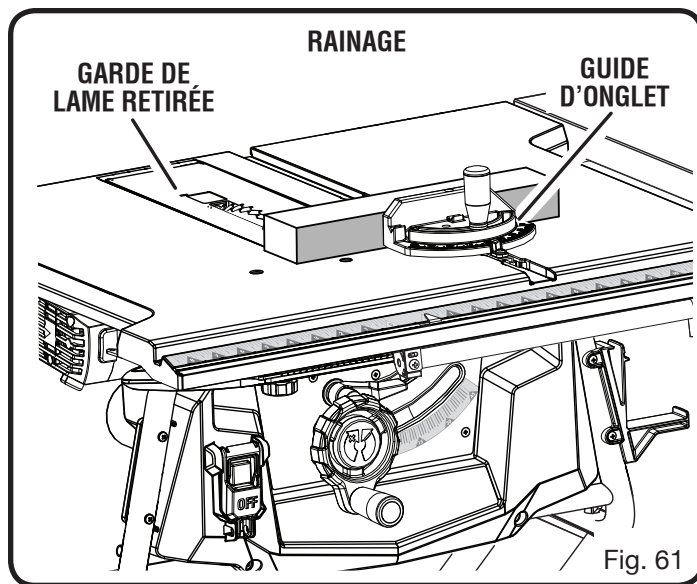


Fig. 61

- Placer le levier de dégagement en la posición verrouillée
- Installer la plaque à gorge de rainage et faire tourner la lame à la main pour s'assurer qu'elle fonctionne librement et l'abaisser.
- Selon la forme et de la taille du bois, utiliser le guide longitudinal ou le guide d'onglet.
- Si faire une coupe longitudinal, installer la cale-guide en la position appropriée pour le type de coupe.
- Mettre le commutateur en position de marche.

NOTE : Avant de mettre la scie en marche, s'assurer que le pièce ne touche pas la lame. Laisser la lame parvenir à sa vitesse maximum avant d'engager la pièce.

- Placer la pièce à couper à plat sur la table, son bord solidement appuyé contre le guide longitudinal ou le guide d'onglet et tenir fermement contre la table de scie.
- Utiliser un bloc ou un bâton pousoir pour pousser le bois au-delà de la lame. Ne jamais pousser une petite pièce de bois contre la lame avec les mains, toujours utiliser un bâton pousoir. Avec les coupes non traversantes, l'utilisation des blocs pousoir, bâtons pousoir et cales-guide est nécessaire.
- Une fois la coupe effectuée, arrêter la scie. Attendre que la lame s'arrête complètement avant de retirer la pièce.

NOTE : Une coupe transversale de rainurage est illustrée à la figure ci-dessus. Pour effectuer une coupe longitudinale de rainurage, enlever le protège-lame, les griffes antibond, la plaque à gorge et le couteau diviseur. Installer la lame à rainurer et la plaque à gorge à rainurer, puis réaliser la coupe longitudinale. Voir la partie précédente **Coupe longitudinale** dans cette section.

Une fois toutes le coupe rainage terminées :

- Débrancher la scie.
- Enlever la plaque à gorge pour rainures et lame pour rainures.
- Réinstaller l'écarteur dans la position vers le haut.
- Réinstaller la lame de coupe standard, la plaque à gorge, et le protège-lame.

RÉGLAGES

AVERTISSEMENT :

Avant d'effectuer tout réglage, s'assurer que l'outil est débranché et le bouton supérieur du commutateur n'est pas enfoncé. Le non-respect de cet avertissement pourrait entraîner des blessures graves.

Pour éviter des ajustements inutiles, il est bon de vérifier les réglages soigneusement au moyen d'une équerre de charpentier et de pratiquer des coupes d'essais sur des chutes, avant de travailler sur une bonne pièce. Ne procéder à aucun réglage avant d'avoir effectué des vérifications avec une équerre et exécuté des coupes d'essai, pour s'assurer que des réglages sont nécessaires.

REPLACEMENT DE LA LAME

Voir les figures 62 à 64.

Porter des gants et tout autre équipement de protection individuel uniquement pour installer et retirer une lame. **NE PAS** porter de gants en utilisant la scie. **NE PAS** placer une main gantée près de la lame si elle tourne.

Utiliser les lames appropriées. La largeur du trait de lame et l'épaisseur du corps de lame doivent être dans les limites indiquées sur le couteau diviseur.

- Débrancher la scie.
- Retirer la garde de lame et griffes antirebond.
- Abaisser la lame et retirer la plaque de gorge.
- Engager le levier de verrouillage de biseau.
- Relever la lame au maximum en tournant.
- Insérer la clé de lame le bout ouvert méplats de axe de lame.
- Insérer la clé de lame à extrémité fermée sur l'écrou de la lame. Tenir fermement les deux clés et pousser la clé extérieure (côté droit) vers l'avant, tout en poussant la clé intérieure (côté gauche) vers l'arrière de la scie. Retire la écrou de lame et rondelle de lame.

NOTE : L'axe de lame est enfile de droite.

- Déverrouiller segurar la palanca de afloje et retirer la lame.

Pour l'installation d'une lame spéciale, suivre les instructions fournies avec cette lame.

Installation d'une lame standard :

- Placer la lame sur l'axe (pour qu'elle fonctionne correctement, ses dents doivent être orientées vers le bas et l'avant de la scie).
- Installer la rondelle de la lame et écrou de lame sur axe de lame. S'assurer que le côté plat de la rondelle est placé contre la lame et que toutes les pièces sont bien serrées contre le support de l'axe. S'assurer que écrou de lame soit fermement serré. Ne pas trop serrer.

NOTE : L'axe de lame est enfile de droite.

- Verrouiller le levier de dégagement.
- Faire tourner la lame à la main pour s'assurer qu'elle fonctionne librement.
- Abaisser la lame et remettre la plaque à gorge en place.
- Vérifier que la lame tourne librement, sans toucher quoi que ce soit.

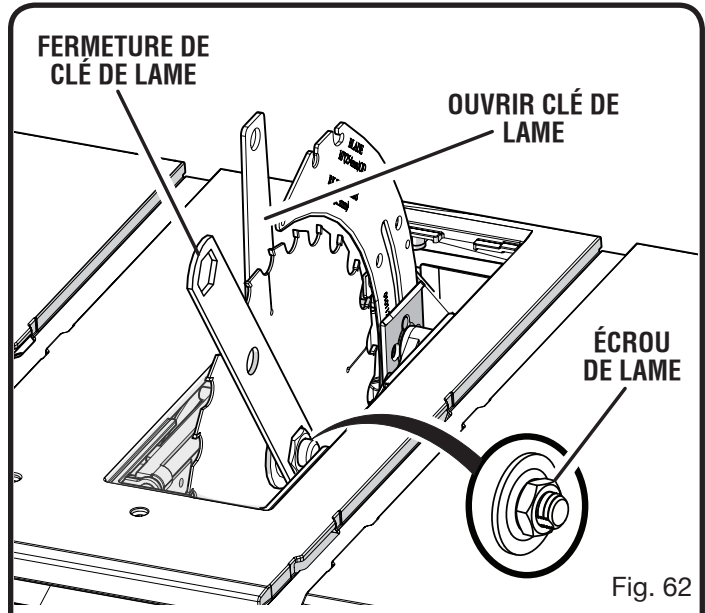


Fig. 62

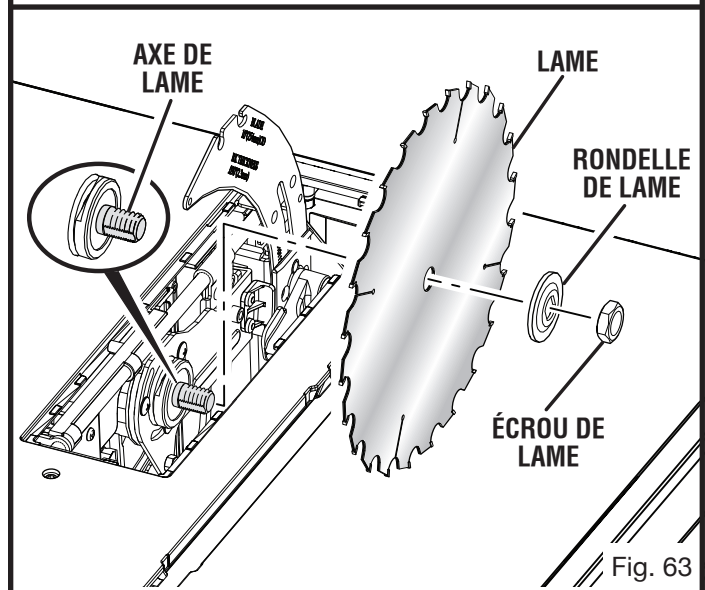


Fig. 63

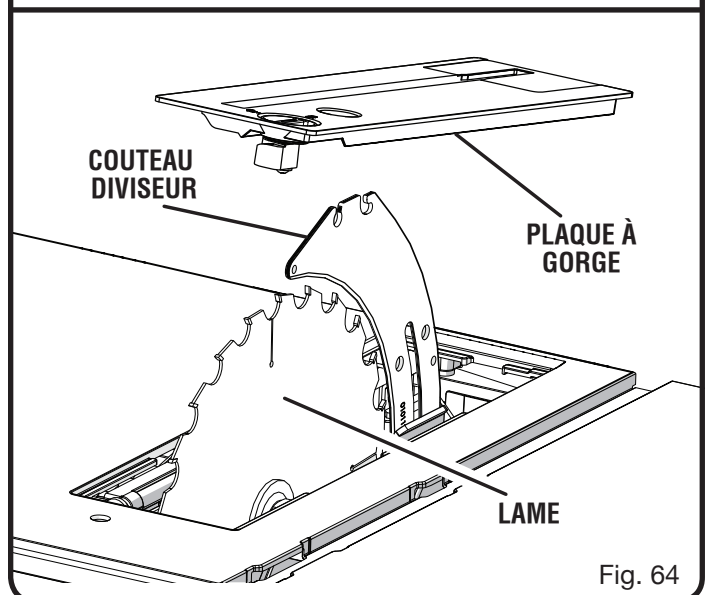


Fig. 64

RÉGLAGES

Après l'installation, ajuster l'indicateur de l'échelle de refente pour tenir compte du trait et de l'épaisseur de la lame. Rapportez-vous à **Pour régler l'échelle graduée sur la lame** dans la section *Utilisation* dans ce manuel. Lors de la coupe, l'échelle doit être placée du côté de la lame où la coupe est mesurée et exécutée.

RÉGLAGE DE L'INDICATEUR ET DES BUTÉES DE BISEAU À 0 ET 45°

Voir les figures 65 et 66.

La scie a été réglée en usine et, à moins qu'elle ait été endommagée en cours de transport, aucun réglage ne devrait être nécessaire. Après un usage prolongé, il peut être nécessaire de vérifier les réglages.

- Débrancher la scie.
- Relever la lame.
- Retirer le ensemble la garde de lame.

Pour vérifier l'équerrage (biseau à 0°) :

- Relâcher le levier de verrouillage de la coupe en biseau.
- Tourner le volant de réglage de hauteur / biseau jusqu'à ce que la lame soit inclinée vers la droite autant que possible.
- Fermer le levier de verrouillage de la coupe en biseau.
- Placer l'équerre contre la lame. S'assurer que l'équerre ne touche pas à la pointe d'une de dents de la scie.

Si la lame n'est pas exactement à 90° (biseau à 0°) :

- Relâcher le levier de verrouillage de la coupe en biseau.
- Tourner le volant de réglage de hauteur / biseau, jusqu'à ce que l'indicateur pointe sur 5°-10°.
- Tourner 0° vis de réglage de butée 1/4 tourne dans le droit ou gauche.
- Tourner le volant de réglage de biseau jusqu'à ce que la lame soit inclinée vers la droite autant que possible.
- Fermer le levier de verrouillage de la coupe en biseau et vérifier l'angle de lame.
- Répéter les étapes ci-dessus au besoin pour réajuster et revérifier l'angle de la lame.

Dès que la lame est perpendiculaire à la table (biseau à 0°) :

- Vérifier l'indicateur de biseau.
- Si l'indicateur ne pointe pas vers la marque 0° sur l'échelle du biseau, desserrer la vis d'ajustement de l'indicateur et régler l'indicateur.
- Resserrer les vis.

Pour vérifier l'équerrage (biseau à 45°) :

- Relâcher le levier de verrouillage de la coupe en biseau.
- Tourner le volant de réglage de hauteur / biseau jusqu'à ce que la lame soit inclinée vers la gauche autant que possible.
- Fermer le levier de verrouillage de la coupe en biseau.
- Placer l'équerre contre la lame. S'assurer que l'équerre ne touche pas à la pointe d'une de dents de la scie.

Si la lame n'est pas exactement à 45° :

- Relâcher le levier de verrouillage de la coupe en biseau.
- Tourner le volant de réglage de hauteur / biseau, jusqu'à ce que l'indicateur pointe sur 35°-40°.
- Tourner 45° vis de réglage de butée 1/4 tourne dans le droit ou gauche.

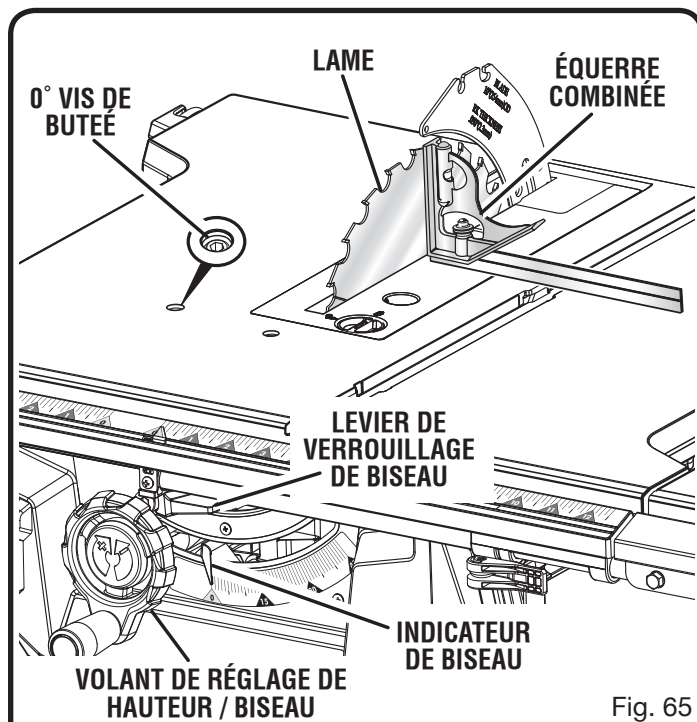


Fig. 65

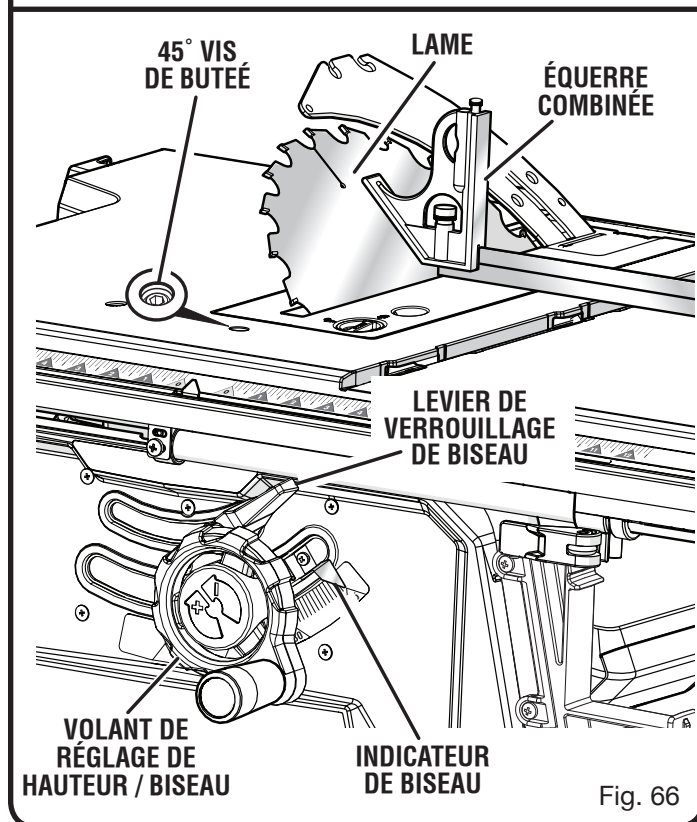


Fig. 66

- Tourner le volant de réglage de biseau jusqu'à ce que la lame soit inclinée vers la gauche autant que possible.
- Fermer le levier de verrouillage de la coupe en biseau et vérifier l'angle de lame.
- Répéter les étapes ci-dessus au besoin pour réajuster et revérifier l'angle de la lame.

RÉGLAGES

Dès que la lame est à 45° de la table :

- Vérifier l'indicateur de biseau.
- Si l'indicateur n'indique pas la marque 45° sur le rapporteur d'angle de biseau, desserrer les vis d'ajustement de l'indicateur et ajustez l'indicateur.
- Resserrer les vis.

Quand tous les ajustements sont complets :

- Réinstaller le ensemble la garde de lame.

VÉRIFICATION DE L'ALIGNEMENT DU GUIDE LONGITUDINAL SUR LA LAME

Voir la figure 67.

Le guide longitudinal doit être installé en parallèle avec la lame et le rainure du guide d'onglet.



AVERTISSEMENT :

Un guide longitudinal incorrectement aligné peut causer des rebonds et des blocages. Pour réduire les risques de blessures, maintenir l'alignement correct du guide longitudinal.

- Débrancher la scie.
- Retirer la garde de lame, le couteau diviseur et griffes antirebond. Relever la lame au maximum en tournant le volant de réglage de hauteur / biseau.
- Vérifier que la lame est parallèle avec la rainure du guide d'onglet, conformément à ce qui est décrit à la section **Réglage de la lame parallèlement à la rainure du guide d'onglet (suppression du talon)** dans la section *Utilisation*.
- Amener le guide longitudinal près de la lame de la scie (à environ 76,20 mm [3 po] de la lame), puis verrouiller le guide à l'aide du levier de verrouillage.
- Faites une marque derrière une dent sur le devant de la lame. À l'aide d'une règle, mesurer la distance entre la face intérieure de la dent de lame et la face intérieure du guide longitudinal.
NOTE : Pour une précision accrue, positionner la dent marquée de la lame sur le dessus de la règle.
NOTE: Si le guide longitudinal se trouve à gauche de la lame, mesurer à partir du guide inférieur jusqu'à la dent de la lame.
- Tournez la lame pour que la dent marquée se retrouve en arrière.
- Déplacer la règle vers l'arrière et mesurer de nouveau la distance entre la face intérieure de la dent de lame et la face intérieure du guide longitudinal. Si les distances sont identiques, la lame et le guide longitudinal sont parallèles.

Si les distances mesurées sont différentes :

- Déverrouillez le guide longitudinal
- Déserrer les deux vis situées sur le guide de coupe.
- Régler le guide longitudinal.
- Serrer les vis alternance. Vérifier de nouveau l'alignement.
- Répéter la procédure selon le besoin jusqu'à ce que le guide longitudinal soit correctement aligné.
- Replacer la garde de lame et le couteau diviseur et griffes antirebond.

VÉRIFICATION DE L'ÉTANCHÉITÉ DU LEVIER DE VERROUILLAGE DU GUIDE LONGITUDINAL

Voir la figure 68.

Le levier de verrouillage du guide longitudinal doit maintenir ce dernier fermement appuyé contre les rails avant et arrière. Le levier doit pouvoir être abaissé et verrouillé sans effort. Pour assurer un réglage correct du verrouillage de guide :

- Verrouiller le guide longitudinal à sa place.
- Essayer déplaçant le guide longitudinal du côté-à-le côté. si la le guide se déplace, resserre l'écrou de verrouillage 1/4 virage.
- Une fois le guide longitudinal en position verrouillée, vérifier de nouveau son parallélisme avec la lame et le régler selon le besoin.

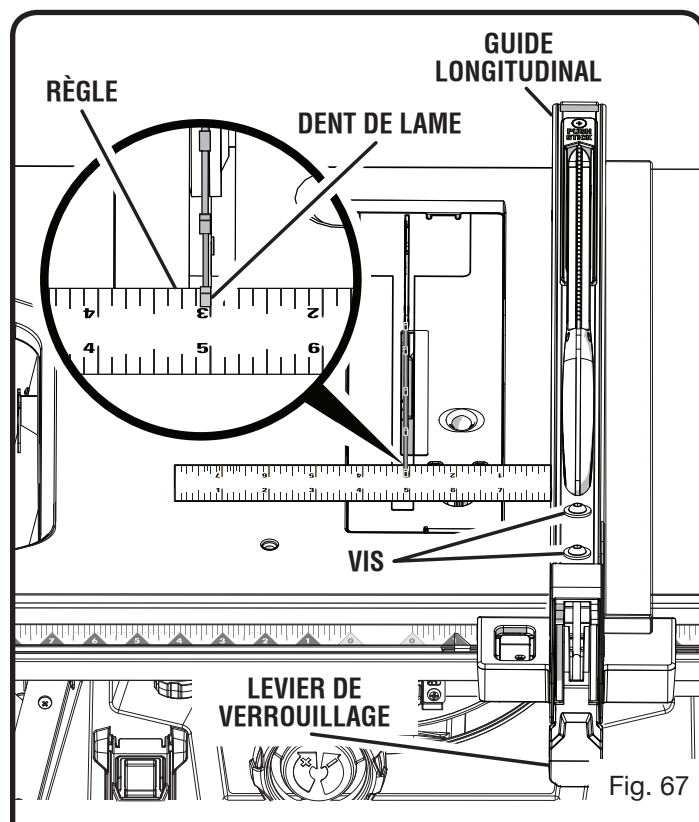


Fig. 67

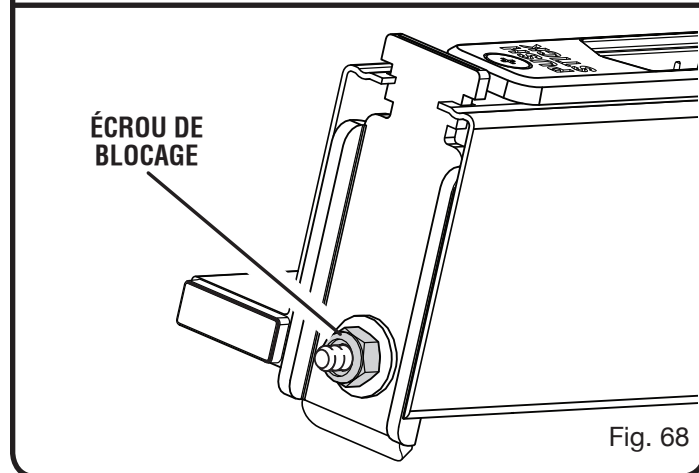


Fig. 68

ENTRETIEN

⚠ AVERTISSEMENT :

Utiliser exclusivement des pièces d'origine pour les réparations. L'usage de toute autre pièce pourrait créer une situation dangereuse ou endommager l'outil.

⚠ AVERTISSEMENT :

Toujours porter une protection oculaire certifiée conforme à la norme ANSI Z87.1 lors de l'utilisation de produit. Si une opération dégage de la poussière, porter également un masque anti-poussière.

⚠ AVERTISSEMENT :

Avant d'effectuer tout entretien, assurez-vous que la outil est débranchée et le bouton supérieur du commutateur n'est pas enfoncé. Le non-respect de cette règle peut occasionner de graves blessures.

ENTRETIEN GÉNÉRAL

Éviter d'utiliser des solvants pour le nettoyage des pièces en plastique. La plupart des matières plastiques peuvent être endommagées par divers types de solvants du commerce. Utiliser un chiffon propre pour éliminer la saleté, la poussière, l'huile, la graisse, etc.

⚠ AVERTISSEMENT :

Ne jamais laisser de liquides tels que le fluide de freins, l'essence, les produits à base de pétrole, les huiles pénétrantes, etc., entrer en contact avec les pièces en plastique. Les produits chimiques peuvent endommager, affaiblir ou détruire le plastique, ce qui peut entraîner des blessures graves.

- Vérifier régulièrement le serrage et l'état de tous les colliers, écrous boulons et vis. S'assurer que la plaque à gorge est en bon état et bien en place.
- Vérifier l'assemblage du guide de la lame pour assurer une bonne installation, qu'il est bien ajusté et qu'il possède les dégagements nécessaires, permettant un mouvement en toute liberté. Certains types de bois peuvent occasionner une accumulation de poussière, de dépôts ou de résine sur les composants alors un entretien périodique et nettoyage est recommandé. Tout nettoyant utilisé doit convenir pour usage sur les pièces en plastique.
- **Nettoyer les pièces en plastique uniquement avec un chiffon doux humide. Ne pas utiliser de produits en aérosol ni de solvants pétroliers.**
- Éliminer la sciure se trouvant au-dessous de la table et entre les dents de la lame pour protéger cette dernière. Nettoyer les dents de scie avec un solvant recommandé pour résine et gommés.

- Appliquer périodiquement de la cire en pâte sur la table, le guide et les rails pour assurer un fonctionnement en douceur. Pour éviter que la pièce glisse pendant la coupe, **ne pas** cirer la face de travail du guide d'onglet.

LUBRIFICATION

Tous les roulements de cet outil sont enduits d'une quantité suffisante de lubrifiant de haute qualité pour la durée de vie de l'outil, dans des conditions d'utilisation normales. Aucune autre lubrification n'est donc nécessaire.

NETTOYER LES PLAQUES DU LEVIER DE VERROUILLAGE DU COUPEAU FENDEUR

Voir la figure 69.

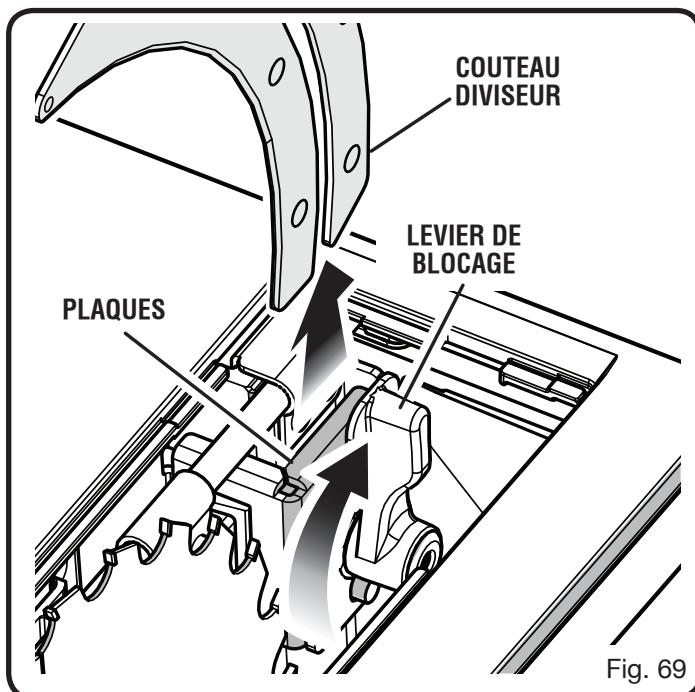
Le loquet de verrouillage du coupeau fendeur peut devenir difficile à bien verrouiller après une utilisation prolongée à cause de la sciure ou des débris se logeant dans les plaques.

- Débrancher la scie.
- Déverrouiller le levier pour retirer le coupeau fendeur.
- Nettoyer l'endroit avec un chiffon propre et sec, ou utiliser de l'air comprimé pour souffler les débris.
- Nettoyer le coupeau fendeur.
- Réinstaller le coupeau fendeur et tourner le levier pour le verrouiller en place.

NOTE : Si le levier de verrouillage est difficile à bouger ou ne se ferme pas entièrement après avoir nettoyé les plaques, contacter le service à la clientèle.

⚠ AVERTISSEMENT :

Ne pas utiliser la scie si le levier de verrouillage ne se ferme pas complètement. Cela pourrait entraîner des blessures graves.



ENTRETIEN

CHUTE À COPEAUX

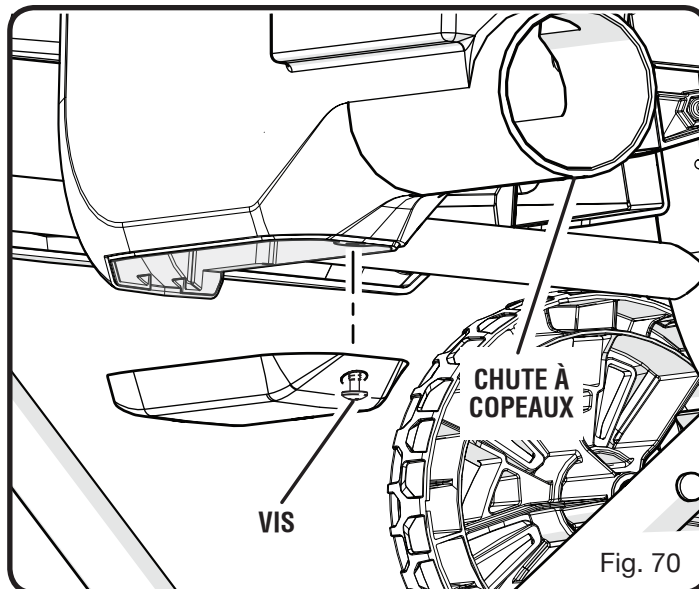
Voir la figure 70.

Cette scie comprend une chute à copeaux utile pour débarrasser la sciure. Un aspirateur d'atelier ordinaire peut être fixé à la chute, située sous le dessous de la scie.

Pendant des périodes d'utilisation prolongée, la chute à copeaux doit être vidée et nettoyée pour éviter l'accumulation de sciure ainsi que pour s'assurer qu'aucune obstruction ou autre petit copeau ne soit tombé dans l'ouverture de la plaque à gorge et ne nuise ainsi au rendement optimal.

Pour nettoyer la chute à copeaux :

- Débrancher la scie.
- Desserrer la vis au bas de la chute à copeaux.
- Retirer le couvercle.
- Brasser pour retirer toute sciure et nettoyer avec un chiffon propre et sec, au besoin.
- Remettre le couvercle en place et bien serrer la vis.



ACCESSOIRES

Rechercher ces accessoires où vous avez acheté ce produit ou en appelant au 1-800-525-2579 :

- Plaque à gorge pour lame089240036001



AVERTISSEMENT :

Les outils et accessoires disponibles actuellement pour cet outil sont listés ci-dessus. Ne pas utiliser d'outils ou accessoires non recommandés pour cet outil. L'utilisation de pièces et accessoires non recommandés peut entraîner des blessures graves.

DÉPANNAGE

PROBLÈME	CAUSE	SOLUTION
Vibrations excessives.	Lame déséquilibrée. Lame endommagée. La scie n'est pas solidement assujettie. Surface de travail irrégulière. Lame voilée.	Remplacer la lame. Remplacer la lame. Serrer tous les écrous, vis et boulons. Repositionner sur une surface plane. Régler les pieds du stand en option. Vérifier le montage de la lame. Remplacer la lame si nécessaire.
Le guide longitudinal ne se déplace pas en douceur.	Guide longitudinal pas correctement installé. Rails encrassés ou collants. Vis de serrage dérégulée.	Réinstaller le guide longitudinal. Nettoyer et cirer les rails. Tourner la vis de serrage vers la gauche.
Le guide longitudinal ne se verrouille pas à l'arrière.	Vis de serrage dérégulée.	Tourner la vis de serrage vers la droite.

DÉPANNAGE

PROBLÈME	CAUSE	SOLUTION
La lame se bloque ou brûle le bois.	Lame émoussée. Lame désalignée. Pièce à couper avancée trop rapidement. Guide longitudinal mal aligné. Pièce voilée. Couteau diviseur mal aligné.	Remplacer ou affûter la lame. Voir « Réglage de la lame parallèlement à la rainure du guide d'onglet (suppression du talon) ». Ralentir l'avance. Aligner le guide longitudinal. Changer de pièce à couper. Toujours couper avec le côté convexe face à la table. Voir « Vérification et alignement du couteau diviseur et la lame » à la section Assemblage.
Le chant de la pièce n'est pas appuyé contre le guide longitudinal lors de la refente.	Lame incorrectement affûtée ou installée.	Affûter ou ajuster la lame.
Les coupes à 90° ou 45° sont imprécises.	Les butées positives derrière le panneau avant doivent être ajustées (coupes en biseau). Guide d'onglet pas correctement aligné (coupe d'onglets).	Régler les butées fixes. Régler le guide d'onglet.
Le volant de réglage de hauteur / biseau est difficile à tourner.	Les engrenages ou le montant des vis derrière le panneau avant sont bouchés avec de la sciure.	Nettoyer les engrenages ou la vis sans fin.
La scie ne démarre pas.	Cordon du moteur ou prolongateur pas branché. Fusible de circuit grillé. Disjoncteur déclenché. Cordon ou commutateur endommagé.	Brancher le cordon du moteur ou le prolongateur. Remplacer le fusible. Réarmer le disjoncteur. Faire remplacer le cordon ou le commutateur dans un centre de réparations agréé.
La lame ne coupe pas correctement.	Lame émoussée ou encrassée. Lame de type incorrect pour la coupe. Lame montée à l'envers.	Nettoyer, affûter ou remplacer la lame. Utiliser une lame de type approprié. Réinstaller la lame.
La lame ne s'abaisse pas lorsque le volant de réglage de hauteur / biseau est tourné.	Le levier de verrouillage n'est pas poussé à fond vers en bas.	Pousser le levier à fond vers en bas.
Le moteur force lors d'une coupe longitudinale.	Lame incorrecte pour la coupe longitudinale.	Remplacer la lame par une lame pour coupe longitudinale, qui en général comporte moins de dents.
Les lames tournent librement pendant plus que quelques secondes après avoir éteint la scie.	Il est possible que le frein électrique ne fonctionne pas correctement.	Contactez le service à la clientèle.

REGLAS DE SEGURIDAD GENERALES

ADVERTENCIA:

Lea todas las advertencias, instrucciones, ilustraciones y especificaciones proporcionadas con esta herramienta eléctrica. No seguir las instrucciones indicadas a continuación puede provocar descargas eléctricas, incendios o lesiones graves.

Guarde todas las advertencias e instrucciones para consultarlas en el futuro. El término “herramienta eléctrica” en las advertencias se refiere a las herramientas eléctricas que funcionan con corriente (con cordón) o las que funcionan con batería (inalámbricas).

ÁREA DE TRABAJO

- **Mantenga limpia y bien iluminada el área de trabajo.** Un área de trabajo mal despejada o mal iluminada propicia accidentes.
- **No utilice herramientas motorizadas en atmósferas explosivas, como las existentes alrededor de líquidos, gases y polvos inflamables.** Las herramientas eléctricas generan chispas que pueden encender el polvo y los vapores inflamables.
- **Mantenga alejados a los niños y circunstantes al maniobrar una herramienta eléctrica.** Toda distracción puede causar la pérdida del control de la herramienta.

SEGURIDAD ELÉCTRICA

- **Las clavijas de las herramientas eléctricas deben corresponder a las tomas de corriente donde se conectan. Nunca modifique la clavija de ninguna forma. No utilice ninguna clavija adaptadora con herramientas eléctricas dotadas de contacto a tierra.** Conectando las clavijas originales en las tomas de corriente donde corresponden se disminuye el riesgo de una descarga eléctrica.
- **Evite el contacto del cuerpo con las superficies de objetos conectados a tierra, como las tuberías, radiadores, estufas y refrigeradores.** Existe un mayor riesgo de descargas eléctricas si el cuerpo está haciendo tierra.
- **No esponga las herramientas eléctricas a la lluvia ni a condiciones de humedad.** La introducción de agua en una herramienta eléctrica aumenta el riesgo de descargas eléctricas.
- **No maltrate el cordón eléctrico. Nunca utilice el cordón para trasladar, desconectar o tirar de la herramienta eléctrica. Mantenga el cordón lejos del calor, aceite, bordes afilados y piezas móviles.** Los cordones eléctricos dañados o enredados aumentan el riesgo de descargas eléctricas.
- **Al utilizar una herramienta eléctrica a la intemperie, use un cordón de extensión apropiado para el exterior.** Usando un cordón adecuado para el exterior se disminuye el riesgo de descargas eléctricas.
- **Si debe operar una herramienta en lugares húmedos, use un suministro protegido por un interruptor de circuito con pérdida a tierra (GFCI).** El uso de un GFCI reduce el riesgo de descargas eléctricas.

SEGURIDAD PERSONAL

- **Permanezca alerta, preste atención a lo que esté haciendo y aplique el sentido común al utilizar herramientas eléctricas. No utilice la herramienta eléctrica si está cansado o se encuentra bajo los efectos de alguna droga, alcohol o medicamento.** Un momento de inatención al utilizar una herramienta eléctrica puede causar lesiones corporales serias.

- **Utilice protección el equipo otros. Siempre póngase protección ocular.** El uso de equipo protector como mascarilla para el polvo, calzado de seguridad, casco y protección para los oídos en las circunstancias donde corresponda disminuye el riesgo de lesiones.
- **Evite que la herramienta se active accidentalmente. Asegúrese de que el interruptor esté en la posición de apagado antes de conectar la herramienta a un suministro de corriente o de colocar un paquete de baterías.** Transportar herramientas eléctricas con el dedo en el interruptor o enchufar herramientas eléctricas que tienen el interruptor encendido puede ocasionar accidentes.
- **Retire toda llave o herramienta de ajuste antes de encender la herramienta eléctrica.** Toda llave o herramienta de ajuste dejada en una pieza giratoria de la herramienta eléctrica puede causar lesiones.
- **No estire el cuerpo para alcanzar mayor distancia. Mantenga una postura firme y buen equilibrio en todo momento.** De esta manera se logra un mejor control de la herramienta eléctrica en situaciones inesperadas.
- **Vístase adecuadamente. No vista ropas holgadas ni joyas. Mantenga el cabello, la ropa y los guantes alejados de las piezas móviles.** Las ropas holgadas y las joyas, así como el cabello largo, pueden engancharse en las piezas móviles.
- **Si se suministran dispositivos para conectar mangueras de extracción y captación de polvo, asegúrese de que éstas estén bien conectadas y se usen correctamente.** El uso de la captación de polvo puede reducir los peligros relacionados con éste.
- **No permita que la familiaridad obtenida por el uso frecuente de las herramientas lo vuelva complaciente e ignore los principios de seguridad de las herramientas.** Una acción descuidada puede causar lesiones graves en una fracción de segundo.

EMPLEO Y CUIDADO DE LA HERRAMIENTA ELÉCTRICA

- **No fuerce la herramienta eléctrica. Utilice la herramienta eléctrica adecuada para cada trabajo.** La herramienta eléctrica adecuada efectúa mejor y de manera más segura el trabajo, si además se maneja a la velocidad para la que está diseñada.
- **No utilice la herramienta si el interruptor no enciende o no apaga.** Cualquier herramienta eléctrica que no pueda controlarse con el interruptor es peligrosa y debe repararse.
- **Desconecte el enchufe de la fuente de alimentación o retire el paquete de baterías, si es desmontable, de la herramienta eléctrica antes de realizar ajustes, cambiar accesorios o almacenar herramientas eléctricas.** Tales medidas preventivas de seguridad reducen el riesgo de poner en marcha accidentalmente la herramienta.
- **Guarde las herramientas eléctricas desocupadas fuera del alcance de los niños y no permita que las utilicen personas no familiarizadas con las mismas o con estas instrucciones.** Las herramientas eléctricas son peligrosas en manos de personas no capacitadas en el uso de las mismas.
- **Mantenimiento de las herramientas eléctricas y accesorios. Revise para ver si hay desalineación o atoramiento de piezas móviles, ruptura de piezas o toda otra condición que pueda afectar el funcionamiento de la herramienta eléctrica. Si está dañada la herramienta eléctrica, permita**

REGLAS DE SEGURIDAD GENERALES

que la reparen antes de usarla. Numerosos accidentes son causados por herramientas eléctricas mal cuidadas.

- **Mantenga las herramientas de corte afiladas y limpias.** Las herramientas de corte bien cuidadas y con bordes bien afilados, tienen menos probabilidad de atascarse en la pieza de trabajo y son más fáciles de controlar.
- **Use la herramienta eléctrica, los accesorios, las brocas, etc. según estas instrucciones, teniendo en cuenta las condiciones de trabajo y la tarea que se va a realizar.** Si se utiliza la herramienta eléctrica para operaciones diferentes de las indicadas podría originar una situación peligrosa.

- **Mantenga los mangos y superficies de agarre limpias y libres de aceite y grasa.** Los mangos y superficies de agarre resbalosas no permiten la manipulación y control seguro de la herramienta en situaciones inesperadas.

SERVICIO

- **Permita que un técnico de reparación calificado preste servicio a la herramienta eléctrica, y sólo con piezas de repuesto idénticas.** De esta manera se mantiene la seguridad de la herramienta eléctrica.

REGLAS DE SEGURIDAD SIERRA DE MESA

PROTECTOR DE HOJA, CUÑA DE SEPARACIÓN Y TRINQUETES ANTICONTRAGOLPE

- **Mantenga los protectores en su lugar. Los protectores deben funcionar correctamente y colocarse de forma apropiada.** Repare o reemplace el protector si está flojo, dañado o no funciona correctamente.
- **Use siempre el protector de la hoja, la cuña de separación y los trinquetes anticontrgolpe en todas las operaciones de corte completo.** En las operaciones de corte completo donde la hoja de la sierra traspasa todo el grosor de la pieza de trabajo, el protector y otros dispositivos de seguridad ayudan a reducir el riesgo de lesiones.
- **Vuelva a colocar el sistema de protección de inmediato después de completar una operación (como cortes de rebajado, ranurado o verticales) que requiera quitar el protector, la cuña de separación y los trinquetes anticontrgolpe.** El protector, la cuña de separación y los trinquetes anticontrgolpe ayudan a reducir el riesgo de lesiones.
- **Asegúrese de que la hoja de la sierra no esté en contacto con el protector, la cuña de separación ni la pieza de trabajo antes de encender la sierra.** El contacto inadvertido de estos elementos con la hoja de la sierra podría ocasionar una situación peligrosa.
- **Ajuste la cuña de separación según se describe en el manual de instrucciones.** El espaciado, el posicionamiento y la alineación incorrectos pueden hacer que la cuña de separación no cumpla con su función de reducir la posibilidad de contragolpes.
- **Para que la cuña de separación y los trinquetes anticontrgolpe funcionen, deben hacer contacto con la pieza de trabajo.** La cuña de separación y los trinquetes anticontrgolpe son ineficientes al cortar piezas de trabajo demasiado cortas para que hagan contacto con estos elementos. En estas condiciones, estos dos elementos no pueden evitar un contragolpe.
- **Use la hoja de sierra apropiada para la cuña de separación.** Para que la cuña de separación funcione de manera adecuada, el diámetro de la hoja de la sierra debe ajustarse a la cuña de separación apropiada, el cuerpo de la hoja de la sierra debe ser más delgado que el grosor de la cuña de separación y el ancho de corte de la hoja de la sierra debe ser mayor que el grosor de la cuña de separación.

PROCEDIMIENTOS DE CORTE

- **PELIGRO: Nunca coloque los dedos o las manos cerca o en línea con la hoja de la sierra.** Un momento de desatención o un deslizamiento podrían hacer que se le escapen las manos hacia la hoja de la sierra y ocasionar lesiones personales graves.
- **Inserte la pieza de trabajo en la hoja de la sierra en dirección inversa a la rotación.** Si lo hace en la misma dirección de la rotación de la sierra sobre la mesa, la pieza de trabajo y la mano podrían irseles hacia la hoja de la sierra.
- **Nunca use el medidor de inglete para insertar la pieza de trabajo al cortar y no use la guía de corte como tope de longitud al hacer cortes completos rectos con el medidor de inglete.** Si guía la pieza de trabajo con la guía de corte y el medidor de inglete al mismo tiempo, incrementará la posibilidad de que la hoja de la sierra se trabe con el material o se produzca un contragolpe.
- **Al cortar, aplique siempre la fuerza de inserción de la pieza de trabajo entre la guía y la hoja de la sierra. Use un empujador si la distancia entre la guía y la hoja de la sierra es menor de 150 mm, y un bloqueador de empuje si la distancia es menor de 50 mm.** Los dispositivos de “asistencia en el trabajo” mantendrán la mano a una distancia segura con respecto a la hoja de la sierra.
- **Use solo el empujador provisto por el fabricante o uno fabricado según las instrucciones.** El empujador ofrece distancia suficiente entre la mano y la hoja de la sierra.
- **Nunca use un empujador quebrado o dañado.** Un empujador dañado podría romperse y hacer que la mano se le vaya hacia la hoja de la sierra.
- **No realice operaciones “a mano alzada”. Use siempre la guía de corte o el medidor de inglete para colocar y guiar la pieza de trabajo.** “A mano alzada” significa usar las manos para sostener o guiar la pieza de trabajo en lugar de usar la guía de corte o el medidor de inglete. Si realiza operaciones “a mano alzada”, podría ocasionar desalineación, que la hoja se trabe contra el material o contragolpes.
- **Nunca se acerque o acerque las manos a una hoja de sierra en movimiento.** Si lo hace, podría tocar la hoja de la sierra en movimiento de manera accidental.

REGLAS DE SEGURIDAD SIERRA DE MESA

- **Proporcione apoyo auxiliar para la pieza de trabajo en la parte trasera y los laterales de la mesa de la sierra cuando corte piezas largas o anchas, a fin de mantenerlas niveladas.** Las piezas de trabajo largas o anchas tienden a pivotar con el borde de la mesa, lo que podría hacer perder el control, que la hoja de la sierra se trabe con el material o se origine un contragolpe.
- **Inserte la pieza de trabajo a un ritmo uniforme. No doble ni fuerce la pieza de trabajo. Si se produce un atasco, apague la herramienta de inmediato, desenchufe la sierra y quite el atasco.** Si la pieza de trabajo queda atascada con la hoja de la sierra, podría producirse un contragolpe o detenerse el motor.
- **No retire pedazos de material cortado mientras la sierra esté en funcionamiento.** El material podría quedar atrapado entre la guía o dentro del protector de la hoja y la hoja de la sierra, y hacer que se le vayan los dedos hacia la hoja de la sierra. Apague la sierra y espere hasta que se detenga la hoja antes de retirar el material.
- **Use una guía auxiliar que esté en contacto con la superficie de la mesa al cortar piezas de trabajo de menos de 2 mm de grosor.** Una pieza de trabajo delgada podría quedar debajo de la guía de corte y originar un contragolpe.

CONTRAGOLPE

Contragolpe es una reacción repentina de la pieza de trabajo debido a una hoja atascada o una línea de corte desalineada en la pieza de trabajo con respecto a la hoja de la sierra, o en caso de que una parte de la pieza de trabajo se trabe entre la hoja de la sierra y la guía de corte u otro objeto fijo.

En la mayoría de los casos donde se produce un contragolpe, la parte trasera de la hoja hace saltar la pieza de trabajo hacia arriba y en dirección al usuario.

Un contragolpe es resultado del uso inadecuado de la sierra o de condiciones o procedimientos operativos incorrectos, y puede evitarse tomando las precauciones apropiadas, como se indica a continuación.

- **Nunca se pare directamente en línea con la hoja de la sierra. Coloque siempre el cuerpo del mismo lado de la guía.** El contragolpe podría impulsar la pieza de trabajo a gran velocidad en dirección a cualquier persona que esté parada en frente y en línea con la hoja de la sierra.
- **Nunca se acerque a la hoja de la sierra ni coloque las manos detrás de ella para empujar o sostener la pieza de trabajo.** Podría contactar accidentalmente la hoja de la sierra o un contragolpe podría arrastrarle los dedos hacia la hoja.
- **Nunca sostenga y presione la porción de la pieza de trabajo que está cortando contra la hoja de la sierra en movimiento.** Si presiona la pieza de trabajo que está cortando contra la hoja de la sierra, la hoja podría trabarse con el material y originarse un contragolpe.
- **Alinee la guía para que quede paralela con la hoja de la sierra.** Si la guía está desalineada, la pieza de trabajo quedará atascada contra la hoja de la sierra y se generará un contragolpe.
- **Use una tabla de canto biselado para guiar la pieza de trabajo contra la mesa y la guía al realizar cortes parciales, como cortes de rebajado, ranurado o verticales.** La tabla de canto biselado ayuda a controlar la pieza de trabajo en caso de un contragolpe.

- **Tenga mayor precaución cuando realice un corte en áreas ciegas de piezas de trabajo ensambladas.** La hoja de la sierra sobresaliente podría cortar objetos que causen un contragolpe.
- **Sostenga los paneles grandes para minimizar el riesgo de que la hoja de la sierra quede atorada o se produzcan contragolpes.** Los paneles grandes tienden a caerse por el propio peso. Debe colocar soportes en todas las porciones del panel que sobresalgan de la superficie de la mesa.
- **Tenga mayor precaución al cortar una pieza de trabajo torcida, hinchada, deformada o que no tenga un borde recto para guiarlo con un medidor de inglete o a lo largo de la guía.** Una pieza de trabajo en alguna de estas condiciones no ofrece estabilidad y hace que el corte de la sierra quede desalineado con la hoja de la sierra, la hoja se trabe con el material o se origine un contragolpe.
- **Nunca corte más de una pieza de trabajo apilada de manera vertical u horizontal.** La hoja de la sierra podría levantar una o más piezas, y originar un contragolpe.
- **Al volver a encender la sierra con la hoja en la pieza de trabajo, centre la hoja en el corte de la sierra de modo que los dientes de la sierra no queden agarrados del material.** Si la hoja de la sierra se traba con el material, podría levantar la pieza de trabajo y originar un contragolpe al volver a encender la sierra.
- **Mantenga las hojas de la sierra limpias, afiladas y con los dientes en la dirección correcta. Nunca use hojas de sierra retorcidas u hojas con dientes rotos o resquebrajados.** Las hojas de sierra afiladas y con dientes en la dirección correcta minimizan la posibilidad de que se traben con el material o se detengan, o de que se origine un contragolpe.

USO DE LA SIERRA DE MESA

- **Apague la sierra de mesa y desconecte el cable de alimentación al extraer la placa de la garganta, cambiar la hoja de la sierra o hacer ajustes en la cuña de separación, los trinquetes anticontragolpe o el protector de la hoja, además de cuando abandone la mesa.** Las medidas preventivas ayudarán a evitar accidentes.
- **Nunca abandone la sierra de mesa mientras esté funcionando. Apáguela y no abandone la herramienta hasta que se detenga por completo.** Si abandona la sierra en funcionamiento, podría producirse una situación peligrosa.
- **Coloque la sierra de mesa en un área bien iluminada y una superficie nivelada donde usted pueda caminar de forma cómoda y equilibrada. Además, debe colocarla en un lugar que ofrezca espacio suficiente para manipular el tamaño de la pieza de trabajo con facilidad.** Los lugares incómodos y oscuros, y los pisos resbaladizos y desparejos contribuyen a que se originen accidentes.
- **Limpie con frecuencia y quite el aserrín que queda debajo de la mesa de la sierra o el dispositivo de recolección de polvo.** El aserrín acumulado es combustible y podría encenderse solo.
- **La sierra de mesa debe estar segura.** Si la sierra de mesa no está segura, podría moverse o voltearse.
- **Retire las herramientas, los pedacitos de madera y cualquier otro objeto que perturbe en la mesa antes de encender la sierra.** Una distracción o un posible atasco podrían ser peligrosos.

REGLAS DE SEGURIDAD SIERRA DE MESA




- **Use siempre hojas de sierra con orificios de encastre de un tamaño y una forma apropiados (hojas con diamante en comparación con hojas redondas).** Las hojas de sierra que no se adapten de forma apropiada al sistema de montaje de la sierra se descentrarán, lo que hará perder el control.
- **Nunca use medios de montaje de hojas de sierra dañados o incorrectos, como bridas, arandelas de hoja de sierra, pernos o tuercas.** Estos medios de montaje se diseñaron específicamente para su sierra a fin de obtener un rendimiento óptimo y seguro.
- **Nunca se pare sobre la sierra de mesa. No la use como taburete para pararse.** Si la herramienta vuelca o usted toca accidentalmente la herramienta de corte, podría sufrir una lesión grave.
- **Asegúrese de instalar la hoja de la sierra para que gire en la dirección apropiada. No use discos de esmerilado, cepillos de alambre ni discos abrasivos con la sierra de mesa.** La instalación inapropiada de la hoja de la sierra o el uso de accesorios no recomendados podrían ocasionar lesiones graves.

ADVERTENCIAS DE SEGURIDAD ADICIONALES







- **Familiarícese con su herramienta eléctrica.** Lea cuidadosamente el manual del operador. Aprenda los usos y limitaciones de la sierra, así como los posibles peligros específicos de esta herramienta.
- **Haga su taller a prueba de niños, con candados, interruptores maestros y retirando las llaves de arranque.**
- **Use un cable de extensión adecuado.** Asegúrese de que la extensión eléctrica esté en buen estado. Si se utiliza un cable de extensión, debe ser del calibre suficiente para soportar la corriente que consume el producto. Un cordón de grosor insuficiente causará una caída del voltaje de línea, lo que produce recalentamiento y pérdida de potencia. Se recomienda un calibre mínimo de 14 (A.W.G.) Para cables de extensión de 7,6 metros (25 pies) de largo o menos. Si tiene alguna duda, utilice un cable del calibre más grueso siguiente. Cuanto menor es el número de calibre, tanto mayor es el grosor del cordón.
- **Toujours porter une protection oculaire munie d'écrans latéraux certifiée conforme à la norme ANSI Z87.1.** Si cette précaution n'est pas prise, des objets peuvent être projetés dans les yeux et causer des lésions graves.
- **Afiance la pieza de trabajo.** Cuando convenga, sujete la pieza de trabajo con peine de sujeción. Es más seguro que detenerla manualmente y así ambas manos quedan libres para manejar la herramienta.
- **Use los accesorios recomendados.** Consulte este manual del operador, donde aparecen los accesorios recomendados. El empleo de accesorios inadecuados puede plantear el riesgo de lesiones.
- **Use sólo las hojas de corte correctas.** No use hojas con orificios de tamaño incorrecto. Nunca utilice arandelas ni pernos de hoja de corte que estén dañados o no sean los adecuados. La sierra admite hojas de un diámetro máximo de 254 mm (10 pulg.).
- **Inspeccione las piezas dañadas.** Antes de seguir utilizando la herramienta, es necesario inspeccionar cuidadosamente toda protección o pieza dañada, para verificar si funcionará correctamente y cumplirá la función a la que está destinada. Compruebe que las partes móviles estén bien alineadas y que no estén trabadas, que no haya piezas rotas, el montaje de las partes y cualquier otra condición que pudiera afectar su funcionamiento. Toda protección o pieza que esté dañada debe repararse apropiadamente o reemplazarse en un centro de servicio autorizado.
- **Nunca deje desatendida la herramienta funcionando. Apague la corriente.** No se aleje de la herramienta hasta ver que se detenga totalmente.
- **Protéjase los pulmones.** Use una careta o mascarilla contra el polvo si la operación de corte genera mucho polvo.
- **Protéjase el oído.** Durante períodos largos de uso de la unidad póngase protección para los oídos.
- **Al utilizar una herramienta eléctrica en el exterior, utilice un cordón eléctrico de extensión que lleve las marcas "W-A" o "W".** Estos cordones eléctricos están aprobados para el uso en exteriores y reducen el riesgo de descargas eléctricas.
- **Siempre mantenga el protector de la hoja y el cuchilla separador (abridora) en su lugar y en buenas condiciones de funcionamiento.**
- **Mantenga las manos alejadas del área de corte.** Mantenga las manos alejadas de la hoja de corte. No meta las manos por abajo de la pieza de trabajo ni alrededor o por encima de la hoja de corte mientras ésta está girando. No intente retirar ningún material cortado mientras la hoja de corte esté girando.
- **Evite operaciones y posiciones de mano incómodas, ya que un deslizamiento repentino podría hacer que se le escape la mano hacia la hoja.**
- **No coloque las manos detrás de la hoja de la sierra desde ningún costado de la hoja para sostener la pieza de trabajo, retirar restos de madera o por ningún otro motivo mientras la hoja esté girando.**
- **La sierra de mesa debe montarse sobre una superficie de apoyo firme, como una mesa de trabajo o un pedestal con patas que permita colocar la sierra a la altura de la cintura.** Además, proporcione un soporte adecuado, como mesas auxiliares, mesas de soporte con ruedas, soportes de salida, etc., cuando corte piezas de trabajo pesadas, anchas o largas. Las piezas de trabajo pesadas, anchas o largas pueden volcar si no se apoyan de manera segura. Si la pieza cortada o la pieza de trabajo vuelca, podría levantar la protección de la hoja o salir despedida por la hoja en movimiento.
- **Si se atora la pieza de trabajo o la hoja, apague la sierra de mesa.** Espere a que todas las partes en movimiento se detengan y desconecte el enchufe de la fuente de alimentación. Luego, libere el material atascado. Después de retirar el material, verifique que la hoja esté en posición paralela a la ranura del medidor de inglete y que la cuchilla separadora y la hoja estén alineadas. Si el atasco se produjo durante un corte al hilo, verifique que la guía de corte al hilo esté en posición paralela a la hoja. Realice ajustes si es necesario.

SÍMBOLOS

Las siguientes palabras de señalización y sus significados tienen el objeto de explicar los niveles de riesgo relacionados con este producto.

SÍMBOLO	SEÑAL	SIGNIFICADO
	PELIGRO:	Indica una situación peligrosa, la cual, si no se evita, causará la muerte o lesiones serias.
	ADVERTENCIA:	Indica una situación peligrosa, la cual, si no se evita, podría causar la muerte o lesiones serias.
	PRECAUCIÓN:	Indica una situación peligrosa, la cual, si no se evita, podría causar lesiones menores o leves.
	AVISO:	(Sin el símbolo de alerta de seguridad) Indica la información que se considera importante, pero no relacionada con lesiones potenciales (por ej. en relación a daños a la propiedad).

Es posible que se empleen en esta herramienta algunos de los siguientes símbolos. Le suplicamos estudiarlos y aprender su significado. Una correcta interpretación de estos símbolos le permitirá utilizar mejor y de manera más segura la herramienta.

SÍMBOLO	NOMBRE	DENOMINACIÓN/EXPLICACIÓN
	Alerta de seguridad	Indica un peligro posible de lesiones personales.
	Lea el manual del operador	Para reducir el riesgo de lesiones, el usuario debe leer y comprender el manual del operador antes de usar este producto.
	Protección ocular	Siempre póngase protección ocular con protección lateral con la marca de cumplimiento de la norma ANSI Z87.1.
	Símbolo de no acercar las manos	Si no mantiene las manos alejadas de la hoja de corte, se causará serias lesiones corporales.
	Alerta de condiciones húmedas	No exponga la unidad a la lluvia ni la use en lugares húmedos.
V	Volts	Voltaje
A	Amperes	Corriente
Hz	Hertz	Frecuencia (ciclos por segundo)
min	Minutos	Tiempo
~	Corriente alterna	Tipo de corriente
	Fabricación Clase II	Fabricación con doble aislamiento
n_0	Velocidad en vacío	Velocidad de rotación, en vacío
.../min	Por minuto	Revoluciones, carreras, velocidad superficial, órbitas, etc., por minuto

ASPECTOS ELÉCTRICOS

DOBLE AISLAMIENTO

El doble aislamiento es una característica de seguridad de las herramientas eléctricas, la cual elimina la necesidad de usar el típico cordón eléctrico de tres conductores con conexión a tierra. Todas las partes metálicas expuestas están aisladas de los componentes metálicos internos del motor por medio de aislamiento de protección. No es necesario conectar a tierra las herramientas con doble aislamiento.

ADVERTENCIA:

El sistema de doble aislamiento está destinado para proteger al usuario contra las descargas eléctricas resultantes de la ruptura del cableado interno de la herramienta. Observe todas las precauciones de seguridad para evitar descargas eléctricas.

NOTA: El mantenimiento de una herramienta con doble aislamiento requiere sumo cuidado y conocimiento del sistema, y únicamente deben realizarlo técnicos de servicio calificados. Para el servicio de la herramienta, le sugerimos llevarla al centro de servicio autorizado más cercano para toda reparación. Siempre utilice piezas de repuesto de la fábrica original al dar servicio a la unidad.

CONEXIÓN ELÉCTRICA

Esta herramienta dispone de un motor eléctrico fabricado con precisión. Debe conectarse únicamente a **un suministro de voltaje de 120 V, corriente alterna solamente (corriente normal para uso doméstico), 60 Hz.** No utilice esta herramienta con corriente continua (c.c.). Una caída considerable de voltaje causa una pérdida de potencia y el recalentamiento del motor. Si la herramienta no funciona al conectarla en una toma de corriente, vuelva a verificar el suministro de voltaje.

CLAVIJAS POLARIZADAS

Vea la figura 1.

Las herramientas con aislamiento doble están equipadas de una clavija polarizada (una patilla es más ancha que la otra). Esta clavija encaja de una sola forma en una toma de corriente polarizada. Si la clavija no encaja completamente en la toma de corriente, invierta la clavija. Si aún así no encaja, comuníquese con un electricista calificado para que instale una toma de corriente adecuada. No modifique la clavija de ninguna manera.

CORDONES DE EXTENSIÓN

Al utilizar una herramienta eléctrica a una distancia considerable de la fuente de voltaje, asegúrese de utilizar un cordón de extensión con la suficiente capacidad para soportar la corriente de consumo de la herramienta. Un cordón de un calibre insuficiente causa una caída en el voltaje de línea, la cual a su vez produce recalentamiento y pérdida de potencia. Básese en la tabla suministrada para determinar el grosor mínimo requerido del cordón de

extensión. Solamente deben utilizarse cordones con forro redondo registrados en Underwriter's Laboratories (UL).

Al trabajar a la intemperie con una herramienta, utilice un cordón de extensión fabricado para uso en el exterior. Este tipo de cordón lleva las letras "WA" o "W" en el forro.

Antes de utilizar un cordón de extensión, inspecciónelo para ver si tiene conductores flojos o expuestos y aislamiento cortado o gastado.

**Amperaje (aparece en la placa de datos de la herramienta)

Longitud del cordón	Calibre conductores (A.W.G.)					
	0-2.0	2.1-3.4	3.5-5.0	5.1-7.0	7.1-12.0	12.1-16.0
25'	16	16	16	16	14	14
50'	16	16	16	14	14	12
100'	16	16	14	12	10	—

**Se usa en los circuitos de calibre 12, de 20 amperes.

NOTA: AWG = American Wire Gauge

ADVERTENCIA:

Mantenga el cordón de extensión fuera del área de trabajo. Al trabajar con una herramienta eléctrica, coloque el cordón de tal manera que no pueda enredarse en la madera, herramientas ni en otras obstrucciones. La inobservancia de esta advertencia puede causar lesiones serias.

ADVERTENCIA:

Inspeccione los cordones de extensión cada vez antes de usarlos. Si están dañados reemplácelos de inmediato. Nunca utilice la herramienta con un cordón dañado, ya que si toca la parte dañada puede producirse una descarga eléctrica, y las consecuentes lesiones serias.

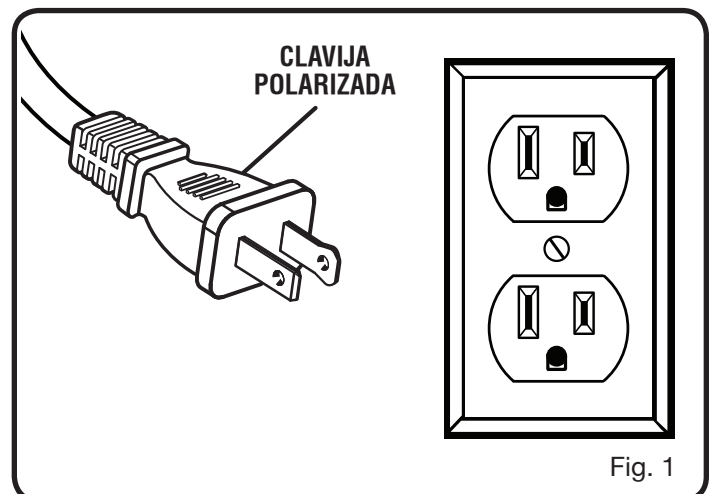


Fig. 1

GLOSARIO DE TÉRMINOS

Trinquetes anticontraGolpe (sierras radiales y de mesa)

Es un dispositivo, el cual, cuando se instala y da mantenimiento correctamente, sirve para detener la pieza de trabajo para no ser lanzada hacia atrás, hacia la parte frontal la sierra durante una operación de corte al hilo.

Árbol

Es el eje donde se monta una hoja o herramienta de corte.

Corte en bisel

Es una operación de corte efectuada con la hoja a un ángulo diferente de 90° con respecto a la superficie de la mesa.

Chaflán

Es un corte efectuado para eliminar una cuña de un bloque de manera que el extremo (o una parte del mismo) quede a un ángulo diferente de 90°.

Corte combinado

Es un corte transversal efectuado a inglete y a bisel.

Corte transversal

Es una operación de corte o fresado efectuada a través de la fibra o ancho de la pieza de trabajo.

Cabeza de corte (cepillos normales y de juntas)

Es una cabeza de corte giratoria con hojas o cuchillas ajustables. Las hojas o cuchillas eliminan material de la pieza de trabajo.

Corte de ranura (sierras de mesa y sierras ingleteadoras deslizantes combinadas)

Un corte no pasante que produce una muesca cuadrada, de tres lados o en V en la pieza de trabajo.

Peine de sujeción (sierras de mesa)

Es un dispositivo empleado como ayuda para controlar la pieza de trabajo guiándola con seguridad contra la mesa o la guía durante las operaciones de corte al hilo.

PPM o CPM

Pies por minuto (o carreras por minuto), se emplea refiriéndose al movimiento de la hoja.

A pulso

Es efectuar un corte sin guiar la pieza de trabajo con ninguna guía, guía de ingletes ni ningún otro medio.

Goma

Es el residuo pegajoso de savia presente en la madera.

Talón

Es la alineación de la hoja con respecto a la ranura de la guía de inglete.

Corte

Es la cantidad de material eliminado por la hoja en un corte completo con traspaso, o en una ranura producida por la hoja en un corte sin traspaso o parcial.

ContraGolpe

Es un peligro que puede ocurrir cuando la hoja se atora o se atasca, y lanza la pieza de trabajo hacia atrás, en la dirección de la hoja giratoria.

Corte a inglete

Es una operación de corte efectuada con la pieza de trabajo a un ángulo diferente de 90° con respecto a la hoja.

Cortes sin traspaso (sierras de mesa y sierras ingleteadoras deslizantes combinadas)

Es cualquier operación de corte en la cual la hoja de corte no traspasa completamente el espesor de la pieza de trabajo. Este

es un corte en el cual la hoja no corta la pieza de trabajo en dos pedazos.

Agujero guía (taladradoras de columna y sierras caladoras)

Es un agujero pequeño taladrado en una pieza de trabajo, el cual sirve como guía para taladrar con precisión agujeros más grandes o para la colocación de la hoja de la sierra caladora.

Bloques empujadores (para cepillos de juntas)

Son dispositivos empleados para avanzar la pieza de trabajo por el cepillo de juntas durante cualquier operación. Este medio ayuda al operador a mantener las manos alejadas de la cabeza de corte.

Bloques y palos empujadores (para sierras de mesa)

Son dispositivos empleados para avanzar la pieza de trabajo a través de la sierra durante operaciones de corte. Para las operaciones de cortes al hilo angostos debe emplearse un palo empujador (no un bloque empujador). Estos medios ayudan al operador a mantener las manos alejadas de la hoja de corte.

Rebaje

Un corte no pasante ubicado en el extremo o borde de la pieza de trabajo que produce una muesca cuadrada, de dos lados o en V en la pieza de trabajo.

Reaserrado (sierras de mesa y sierras de banda)

Es una operación de corte efectuada para reducir el espesor de la pieza de trabajo para hacer piezas más delgadas.

Resina

Es la sustancia pegajosa a base de savia que se endurece.

Revoluciones por minuto (RPM)

Es el número de vueltas realizadas por un objeto en movimiento de giro en un minuto.

Corte longitudinal o al hilo (sierras de mesa)

Es una operación de corte paralela al largo de la pieza de trabajo y generalmente en la dirección del grano.

Cuchilla separadora/Abridor/Separador (sierras de mesa)

Es una pieza metálica, levemente más delgada que la hoja, la cual se emplea para mantener abierto el corte y también ayuda a evitar un contraGolpe.

Trayectoria de la hoja de la sierra

Es el área encima, abajo, detrás o delante de la hoja. En relación con la pieza de trabajo, es el área que será o ha sido cortada por la hoja.

Redondeo de aristas (cepillos)

Es una depresión hecha en cualquiera de los dos extremos de una pieza de trabajo por las cuchillas de corte cuando no se proporciona un apoyo adecuado a la pieza de trabajo.

Cónico Corte

Un corte donde el material para ser corte tiene una anchura diferente al principio del corte del el fin.

Aserrado con traspaso

Es cualquier operación de corte en la cual la hoja de corte traspasa completamente el espesor de la pieza de trabajo. Este tipo de corte separa la pieza de trabajo simple en dos pedazos.

Pieza de trabajo o material

Es la pieza a la que se efectúa la operación.

Mesa

Es la superficie sobre la cual descansa la pieza de trabajo mientras se le efectúa una operación de corte, taladrado, cepillado o lijado.

CARACTERÍSTICAS

ESPECIFICACIONES DEL PRODUCTO

Árbol de la hoja de corte 16 mm (5/8 pulg.)
 Diámetro de la hoja 254 mm (10 pulg.)
 Inclinación de la hoja..... 0° - 45°
 Capacidad de ranurado 12,7 mm (1/2 pulg.)
 Especificaciones eléctricas 120 V, sólo corr. alt., 60 Hz

Corriente de entrada 15 A
 Velocidad en vacío 4 700/min (RPM)
 Profundidad de corte a 0°:..... 76 mm (3 pulg.)
 Profundidad de corte a 45°:..... 64 mm (2-1/2 pulg.)

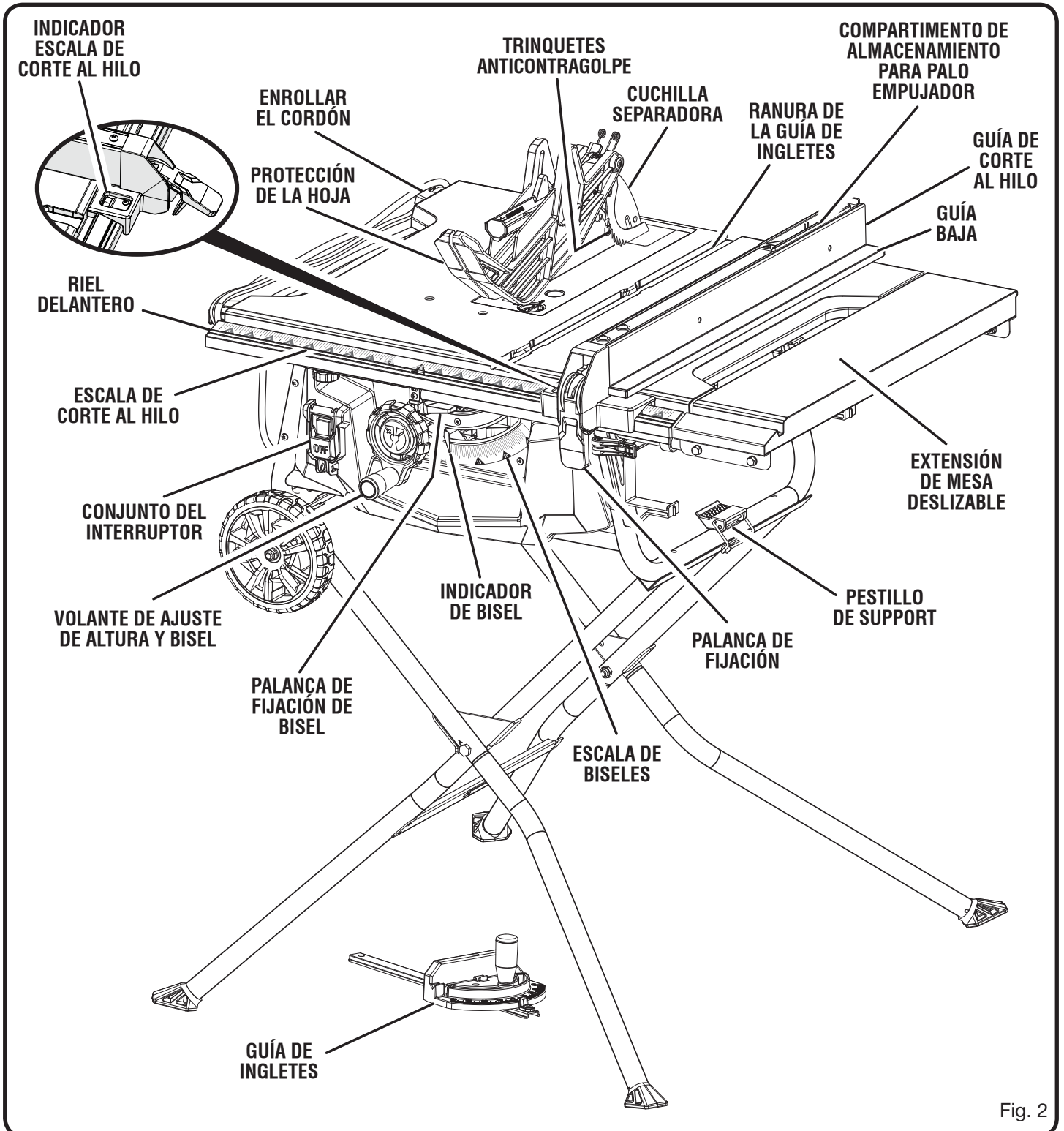


Fig. 2

CARACTERÍSTICAS

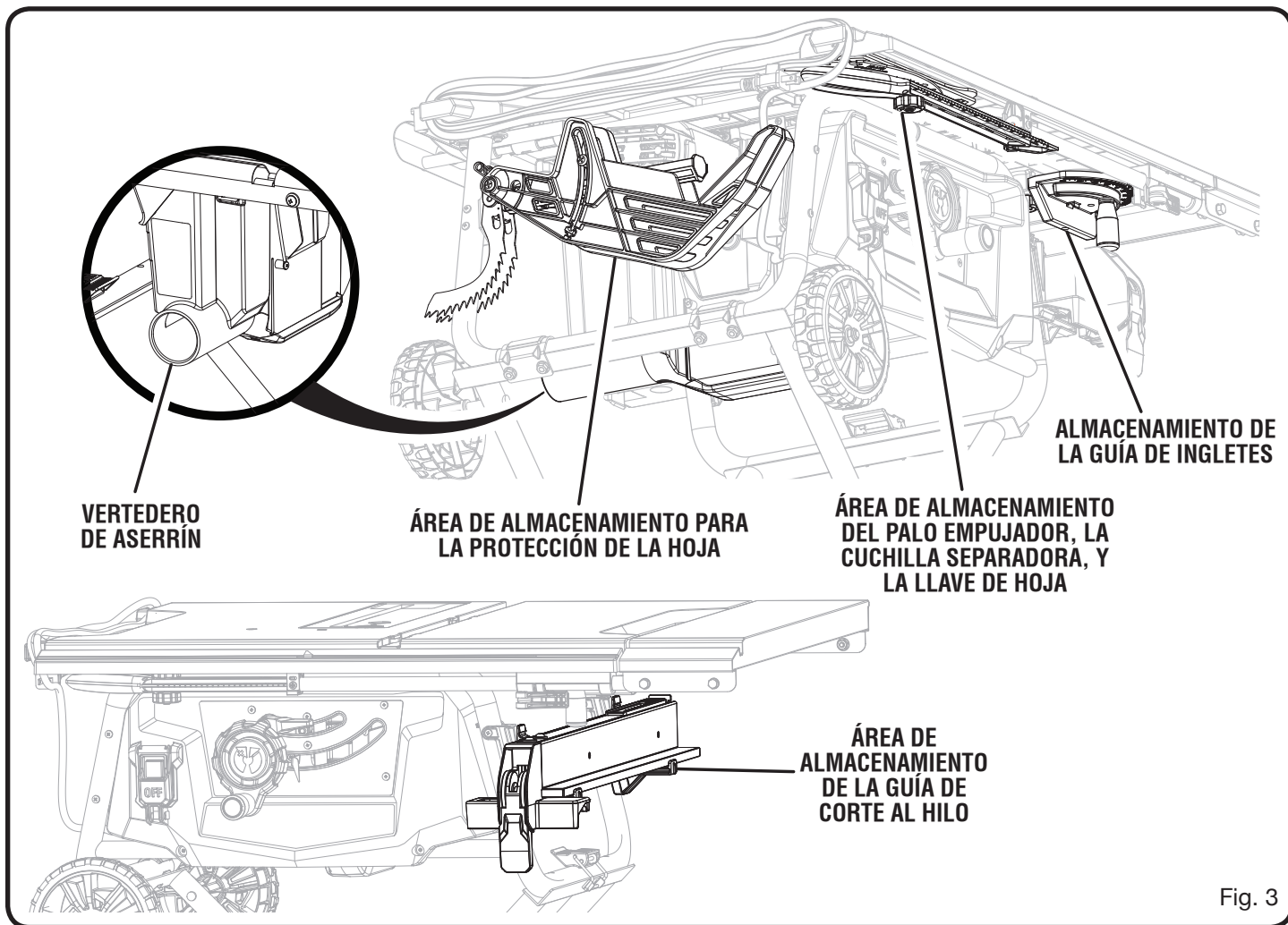


Fig. 3

FAMILIARÍCESE CON LA SIERRA DE MESA

Vea las figuras 2 y 3.

El uso seguro que este producto requiere la comprensión de la información impresa en la herramienta y en el manual del operador así como ciertos conocimientos sobre el proyecto a realizar. Antes de usar este producto, familiarícese con todas las características de funcionamiento y normas de seguridad.

ALMACENAMIENTO DE ACCESORIOS - Debajo de la mesa de la sierra, hay áreas de almacenamiento prácticas para el palo empujador, la cuchilla separadora, las llaves, la protección de la hoja, el medidor de inglete, y la guía de corte al hilo.

TRINQUETES ANTICONTRAGOLPE - El contragolpe es un peligro en el cual la pieza de trabajo resulta lanzada hacia atrás, en dirección del operador. Los trinquetes anticontragolpe apuntan hacia la dirección opuesta de la pieza de trabajo. En caso de que ésta resulte empujada hacia el operador, entonces los dientes muerden la madera para impedir o reducir la posibilidad de un contragolpe. Los trinquetes anticontragolpe pueden eludirse.

PALANCA DE FIJACIÓN DE BISEL - Esta palanca, situada justo bajo la superficie de la mesa de la sierra al frente de la sierra, sirve para fijar el ángulo de la hoja.

ESCALA DE BISELES - Esta escala de fácil lectura, situada en la parte frontal de la sierra, muestra el ángulo exacto de la hoja de corte.

HOJA - Para un óptimo desempeño, se recomienda el uso de la hoja de corte de 254 mm (10 pulg.) con puntas de carburo suministrada con la sierra. La hoja se sube y baja con el volante de ajuste de altura. Los ángulos de bisel se fijan con la palanca de fijación de bisel. Hay disponibles estilos adicionales de hojas de corte de la misma alta calidad para operaciones específicas tales como el corte al hilo. El distribuidor de la localidad puede proporcionarle la información completa.

La anchura del corte debe estar dentro de los límites estampados en el cuchilla separadora.

⚠ ADVERTENCIA:

No utilice hojas con una velocidad nominal inferior a la de esta herramienta. La falta de atención a esta advertencia puede causar lesiones corporales.

PROTECCIÓN DE LA HOJA - Siempre mantenga la separable protección de la hoja sobre ésta al efectuar cortes con traspaso del espesor de la pieza.

VERTEDERO DE ASERRÍN - El vertedero de aserrín incorporado permite desechar el aserrín de manera sencilla. Puede conectar una manguera de aspiradora al vertedero de aserrín.

FRENO ELÉCTRICO - Se proporciona un freno eléctrico para detener la rotación de la hoja después de apagar la sierra.

CARACTERÍSTICAS

VOLANTE DE AJUSTE DE ALTURA Y BISEL - Este volante, situado en la parte delantera de la sierra, sirve para subir y bajar la hoja con el fin de efectuar ajustes a la altura de la misma, o reemplazarla. Este volante también facilita el ajuste del ángulo de biselado.

GUÍA DE INGLETES - La guía de ingletes sirve para alinear la madera para cortes transversales. Este indicador de fácil lectura muestra el ángulo exacto para cortes a inglete.

RANURA DE LA GUÍA DE INGLETE - La guía de ingletes se desplaza por la ranura de la mesa de la sierra.

SOPORTE DE SALIDA - Esta extensión de mesa situada en la parte posterior de la herramienta brinda al operador soporte adicional al cortar piezas de trabajo largas.

GUÍA DE CORTE AL HILO - Es una resistente guía metálica que sirve de apoyo a la pieza de trabajo y se fija con la manija de bloqueo. El compartimento de almacenamiento para el palo empujador se encuentra sobre la guía de corte al hilo.

NOTA: No coloque la guía de corte al hilo en el lado izquierdo de la hoja al cortar materiales de más de 19,05 mm (3/4 pulg.) de espesor.

ESCALA DE CORTE AL HILO - Esta escala de corte al hilo de fácil lectura se encuentra en el riel delantero, y permite obtener mediciones exactas en los cortes al hilo.

CUCHILLA SEPARADORA - Es una separable pieza metálica, levemente más delgada que la hoja de la sierra, la cual se emplea para mantener abierto el corte y evitar así un contragolpe. Cuando en el por lanzamiento, o “arriba” posición, es más alto que la hoja de sierra. Cuando en el corte no pasante que aserrado, o “hacia abajo” posición, está debajo de los dientes de hoja de sierra.

EXTENSIONES DE MESA DESLIZABLES - Estas extensiones de mesa están situadas a cada lado de la mesa de la sierra, y brindan al operador soporte adicional al cortar piezas de trabajo anchas.

CONJUNTO DEL INTERRUPTOR - Esta sierra dispone de un conjunto del interruptor de fácil acceso ubicado bajo el riel delantero. Para bloquear el interruptor, instale un candado (no incluido) en los orificios del interruptor y la cubierta. Una vez que lo haga, asegúrese de que el interruptor no funcione. Si el interruptor sigue funcionando con el candado instalado, debe usarse un candado con un diámetro de grillete más grande. Guarde la llave del candado en otro lugar.

COMPONENTES DEL FUNCIONAMIENTO

La porción superior de la hoja sobresale de la mesa, y está rodeada por un inserto llamado placa de la garganta. La altura de la hoja se fija por medio de un volante ubicado en la parte frontal de la sierra. Se incluyen instrucciones detalladas para los cortes básicos en la sección *Funcionamiento* de este manual: cortes rectos transversales, cortes en inglete, cortes en bisel y cortes compuestos.

La guía de corte al hilo se emplea para acomodar la pieza de trabajo con el fin de efectuar cortes longitudinales. Una escala situada en el riel delantero muestra la distancia existente entre la guía de corte al hilo y la hoja.

Es muy importante utilizar el conjunto de protección de la hoja en todas las operaciones de corte con traspaso. El conjunto de protección de la hoja incluye: la cuchilla separadora y la protección de la hoja con trinquetes anticontragolpe.

CONJUNTO DEL INTERRUPTOR

Vea la figura 4.

Esta sierra está equipada con un conjunto del interruptor dotado de cerradura de llave integrada. Esta característica tiene la finalidad

de evitar el uso no autorizado y posiblemente peligroso por niños y otras personas.

NOTA: No es necesario que levante la cubierta del interruptor para operarlo.

PARA ENCENDER LA SIERRA:

- Presione el botón superior del interruptor para encender la sierra.

NOTA: Si se desconecta o interrumpe la alimentación de CA mientras la sierra está funcionando, esta se apagará. Para volver a encender la sierra, restablezca la alimentación de CA y presione la parte superior del interruptor.

PARA APAGAR LA SIERRA:

- Presione el botón inferior del interruptor para apagar la sierra.

PARA ASEGURAR LA SIERRA:

- Con la sierra apagada, instale un candado (no incluido) en los orificios y la cubierta del interruptor.

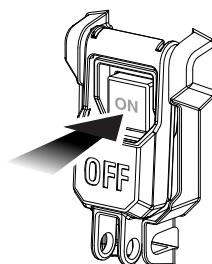
⚠ ADVERTENCIA:

SIEMPRE asegúrese de que la pieza de trabajo no toque la hoja antes de accionar el interruptor para encender la herramienta. La inobservancia de esta advertencia puede causar el lanzamiento violento de la pieza de trabajo hacia el operador, con consiguientes posibles lesiones serias.

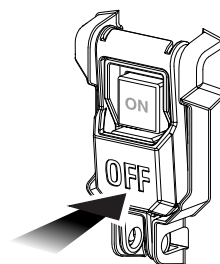
⚠ ADVERTENCIA:

Para reducir el riesgo de un arranque accidental, asegúrese siempre de que el botón superior del interruptor no esté presionado antes de enchufar la herramienta a la fuente de alimentación.

INTERRUPTOR EN POSICIÓN DE ENCENDIDO



INTERRUPTOR EN POSICIÓN DE APAGADO



INTERRUPTOR EN POSICIÓN ASEGURADA

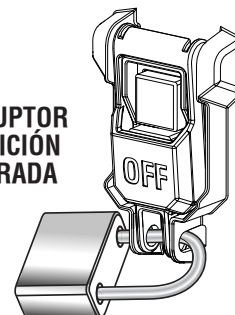


Fig. 4

HERRAMIENTAS NECESARIAS

Para armar la unidad y efectuar ajustes se necesitan las siguientes herramientas (no incluido o dibujado para escalar):

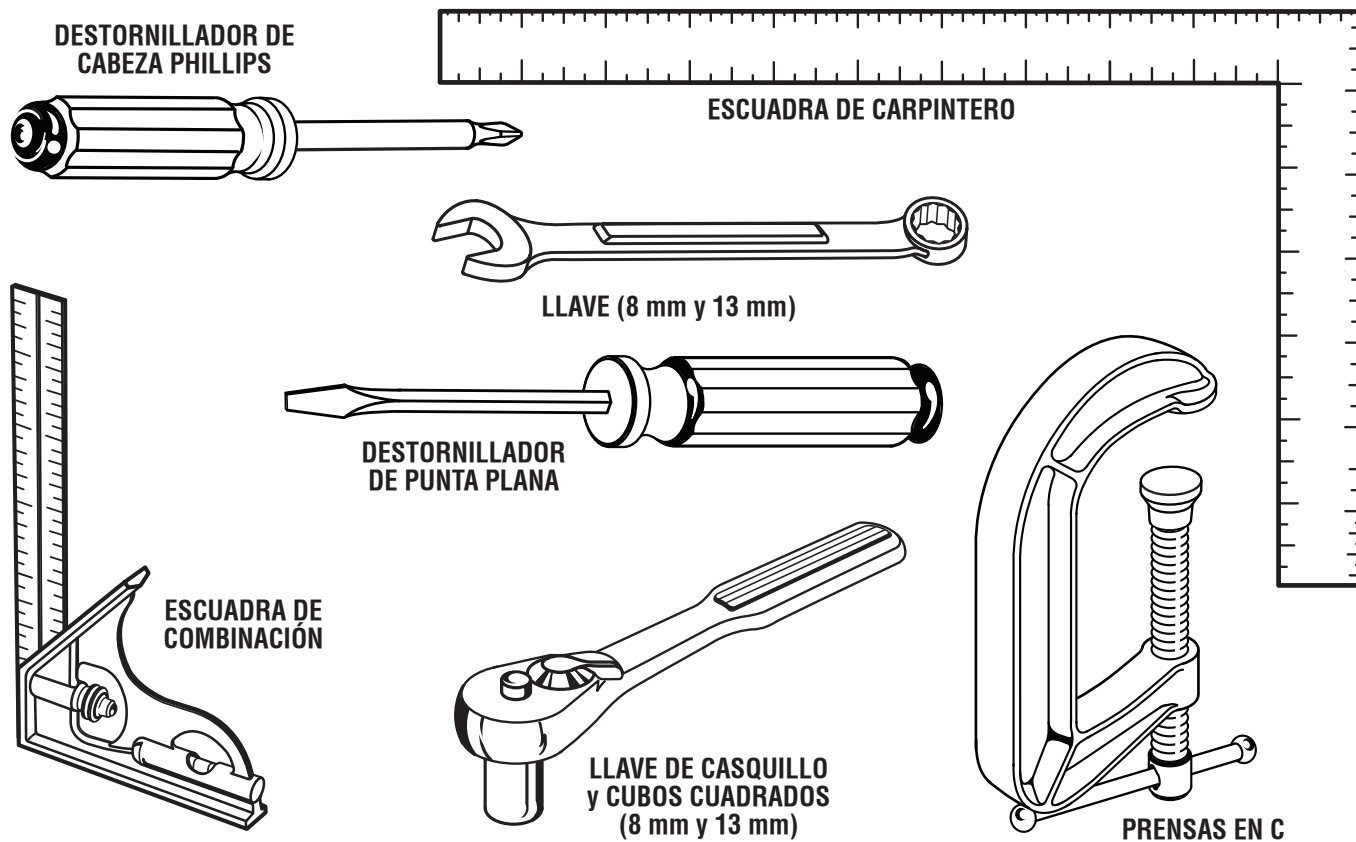


Fig. 5

PIEZAS SUeltas

Con la sierra de mesa vienen incluidos los siguientes artículos:

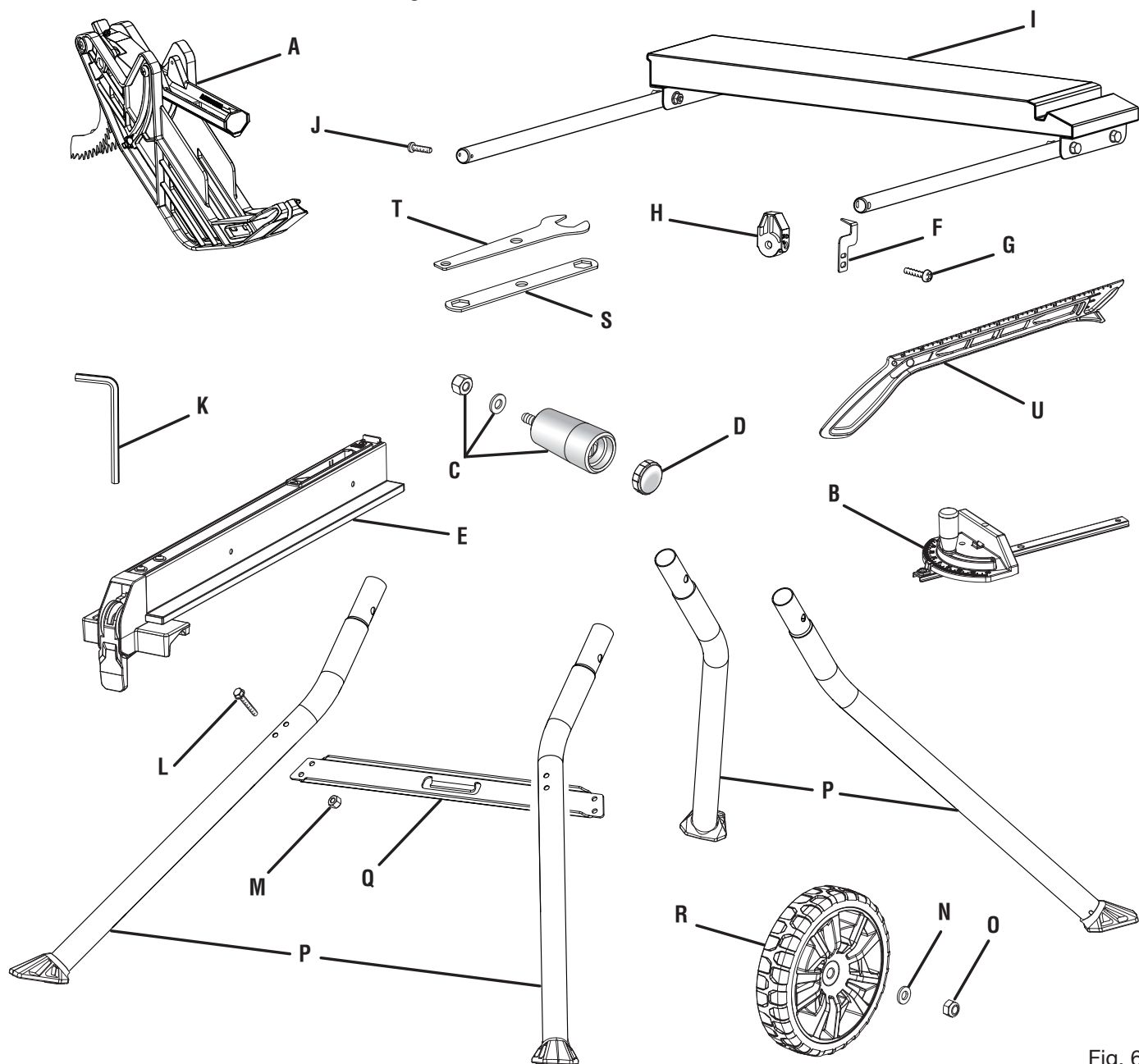


Fig. 6

A. Protección de la hoja con trinquetes anticontragolpe.....	1
B. Guía de ingletes.....	1
C. Conjunto del mango	1
D. Tapa del extremo del mango	1
E. Guía de corte al hilo.....	1
F. Indicador.....	1
G. Tornillo (M4 x 25 mm, cabeza segmentada).....	1
H. Bloqueo de indicador de corte al hilo.....	1
I. Extensión de la mesa deslizante.....	1
J. Tornillo de tope	1

K. Llave hexagonal (5 mm).....	1
L. Perno (M5 x 35 mm).....	4
M. Tuerca de seguridad (M5)	4
N. Arandelas (OD16 x ID8 x 2t)	4
O. Tuerca de seguridad (M8)	4
P. Pedestal de patas	4
Q. Travesaño.....	1
R. Rueda.....	2
S. Cierre el llave	1
T. Abra el llave	1
U. Palo empujadora.....	1

ARMADO

DESEMPAQUETADO

Este producto requiere armarse.

- Levante cuidadosamente de la caja la sierra y colóquela sobre una superficie de trabajo nivelada.

NOTA: Esta herramienta es pesada. Para evitar lesionarse la espalda, mantenga dobladas las rodillas, levante con las piernas, no con la espalda, y obtenga ayuda cada vez que la necesite.

ADVERTENCIA:

No utilice este producto si alguna pieza incluida en la lista de *piezas sueltas* ya está ensamblada al producto cuando lo desempaqueta. El fabricante no ensambla las piezas de esta lista en el producto. Éstas deben ser instaladas por el usuario. El uso de un producto que puede haber sido ensamblado de forma inadecuada podría causar lesiones personales graves.

- Inspeccione cuidadosamente la herramienta para verificar que no haya sufrido ninguna rotura o daño durante el transporte.
- No deseche el material de empaquetado antes de terminar de inspeccionar cuidadosamente la herramienta, identificar todas las piezas sueltas y utilizar satisfactoriamente la herramienta.

NOTA: Retire el bloque de espuma del área intermedia-situada entre el mesa de la sierra y el motor por bisel primero la hoja, consulte **Para cambiar el ángulo de la hoja (bisel)** en la sección de Funcionamiento de este manual.

- La sierra viene ajustada desde la fábrica para realizar cortes exactos. Después de armarla verifique la exactitud de la misma. Si en el envío resultaron afectados los ajustes, consulte los procedimientos específicos explicados en este manual.
- Si hay piezas dañadas o faltantes, sírvase llamar al 1-800-525-2579, donde le brindaremos asistencia.

ADVERTENCIA:

Si hay piezas dañadas o faltantes, no utilice esta herramienta sin haber reemplazado todas las piezas. Usar este producto con partes dañadas o faltantes puede causar lesiones serias al operador.

ADVERTENCIA:

No intente modificar esta herramienta ni hacer accesorios no recomendados para ella. Cualquier alteración o modificación constituye un uso indebido, y puede crear una situación peligrosa que culmine en lesiones corporales graves.

ADVERTENCIA:

No conecte la unidad a la toma de corriente antes de terminar de armarla. De lo contrario, la unidad puede ponerse en marcha accidentalmente, con el consiguiente riesgo de lesiones graves.

ADVERTENCIA:

No levante la sierra sin ayuda. Sosténgala cerca de su cuerpo. Mantenga dobladas las rodillas y levante con las piernas, no con la espalda. Si ignora estas medidas de precaución, puede causarse lesiones en la columna.

ADVERTENCIA:

Nunca se pare directamente en la misma línea de la hoja ni acerque las manos a menos de 76,2 mm (3 pulg) de ella. No trate de alcanzar nada extendiendo el brazo por encima o alrededor de la hoja. La falta de atención a esta advertencia puede redundar en lesiones graves.

ADVERTENCIA:

Para evitar lesiones graves, siempre asegúrese de que la sierra de mesa esté firmemente montada en un banco de trabajo o en un pedestal de patas aprobado. NUNCA utilice la sierra colocada en el piso.

AGUJEROS DE MONTAJE

La sierra de mesa debe montarse en una superficie de soporte firme, como un banco de trabajo o un pedestal de patas. Hay cuatro agujeros para perno en la armazón de la sierra para este fin.

Si se atornilla a un banco de trabajo, los pernos deben ser de la suficiente longitud para dar acomodo a la base de la sierra, las arandelas de seguridad, las tuercas hexagonales y el espesor del banco de trabajo o otra superficie de montaje. Apriete firmemente los pernos o los tornillos. Después del montaje revise cuidadosamente el banco de trabajo para asegurarse de que no haya ocurrido ningún desplazamiento. Si el banco de trabajo se inclina, desliza o camina, asegúrelo al piso antes de utilizar la unidad.

Para instalar la sierra en el pedestal, consulte el procedimientos específicos, más abajo en este manual.

ARMADO

CÓMO ABRIR LOS SOPORTES DEL PEDESTAL

Vea la figura 7.

NOTA: No use este pedestal de patas con otros equipos ni para otros propósitos.

NOTA: Durante el envío, el bloque de espuma ubicado entre la carcasa de la sierra y el motor sostiene los pernos de las patas de la plataforma en su lugar. Retire el bloque de espuma antes de armar la plataforma, asegurándose de que los pernos permanezcan en su lugar.

- Coloque la sierra boca abajo sobre una superficie plana.
- Corte el sujetador de plástico que sostiene las barras de soporte entre sí.
- Abra la plataforma. Use el pestillo para asegurar el extremo libre de la barra de soporte al marco de la sierra.

CÓMO INSTALAR LAS PATAS DE LA PLATAFORMA

Vea la figura 8 y 9.

Numerosas las piezas de carro para servicio son movibles. Todo hardware debe ser apretado firmemente pero no tan apretado que la pedestal no abra y cierre. Para facilitar el armado, haga coincidir las letras y, luego, instale la tornillería.

Localice las siguientes piezas

Pedestal de patas.....	4
Tuerca de seguridad (M8).....	2

- Arme cada lado por separado. Instale todas las patas con los pies orientados hacia fuera.
- Quite el perno de la barra de soporte con cuidado mientras sostiene la placa pivote en su lugar. Deje el perno a un lado.
- Localice una de las patas con dos orificios. Inserte la pata en el tubo de la barra de soporte interna de la plataforma.

NOTA: Los dos orificios sirven para instalar el latch.

- Alinee los orificios para tornillería de las barras de soporte internas y externas y la placa pivote. Inserte el perno en todas las piezas y fíjelo con una tuerca de seguridad. Ajuste la tuerca con una llave de 13 mm. Luego, afloje la tuerca levemente para permitir que las patas se abran y se cierren de manera libre.

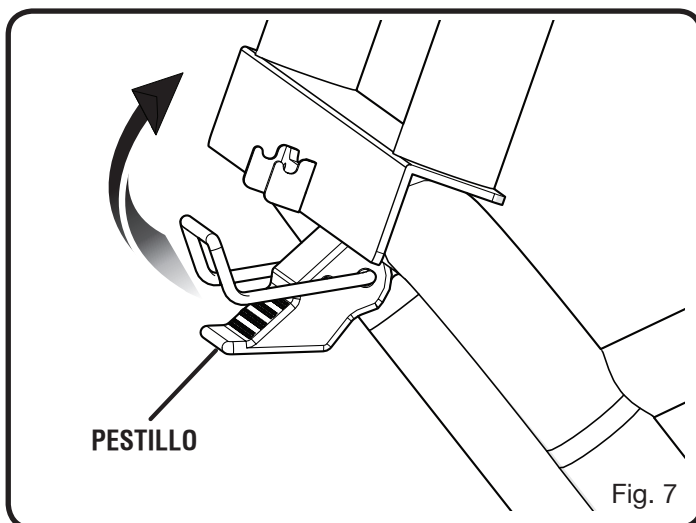


Fig. 7

NOTA: NO ajuste las tuercas de manera excesiva ya que esto no permitirá que la plataforma se mueva de manera libre.

- Para repetir el proceso del otro lado, quite el perno. Inserte la pata con dos orificios en la barra de soporte interna de la plataforma. Inserte el tubo con el pie de ajuste en la barra de soporte externa.

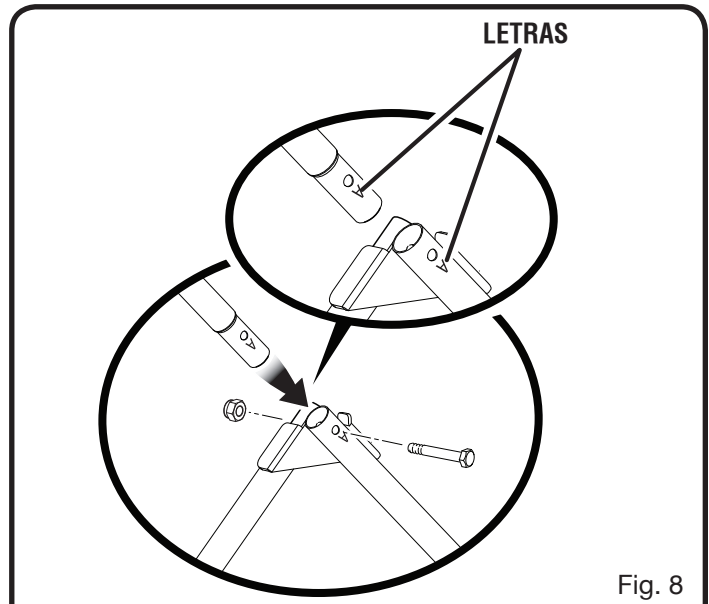


Fig. 8

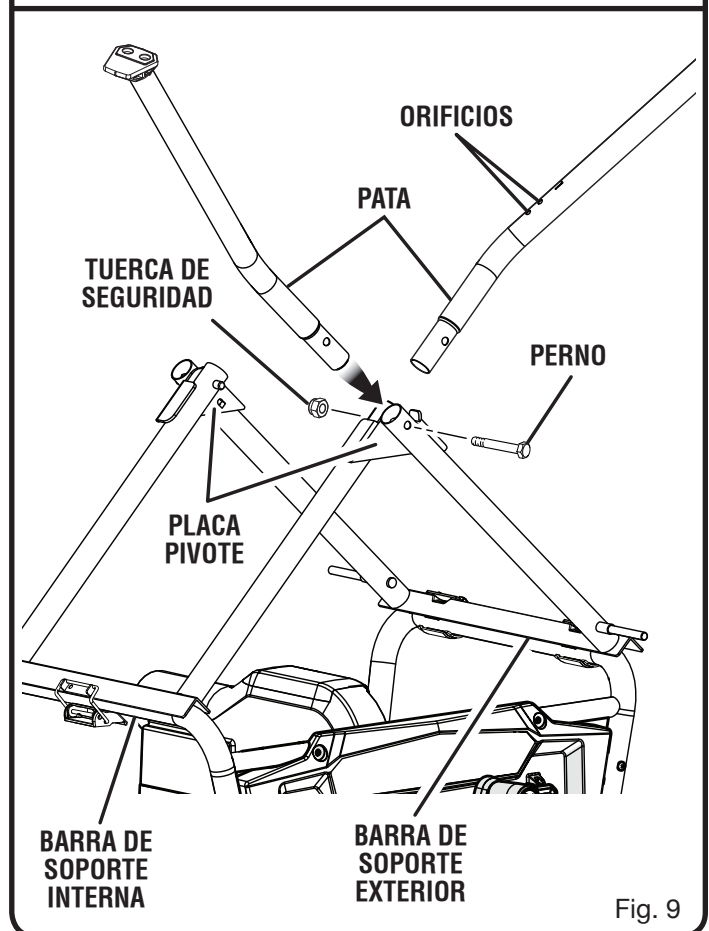


Fig. 9

ARMADO

CÓMO INSTALAR EL TRAVESAÑO

Vea la figura 10.

Localice las siguientes piezas

Tuerca de seguridad (M5).....	4
Perno (M5 x 35 mm).....	4
Travesaño	1

- Coloque el travesaño en su posición como se muestra en la imagen, alineando los orificios correspondientes con los orificios de la sección inferior de la plataforma.
- Coloque cada uno de los cuatro pernos en los orificios del travesaño y los orificios de las patas.
- Coloque una tuerca de seguridad en cada uno de los pernos. Ajuste la tuerca de manera segura con una llave de casquillo y cubos cuadrados de 8 mm.

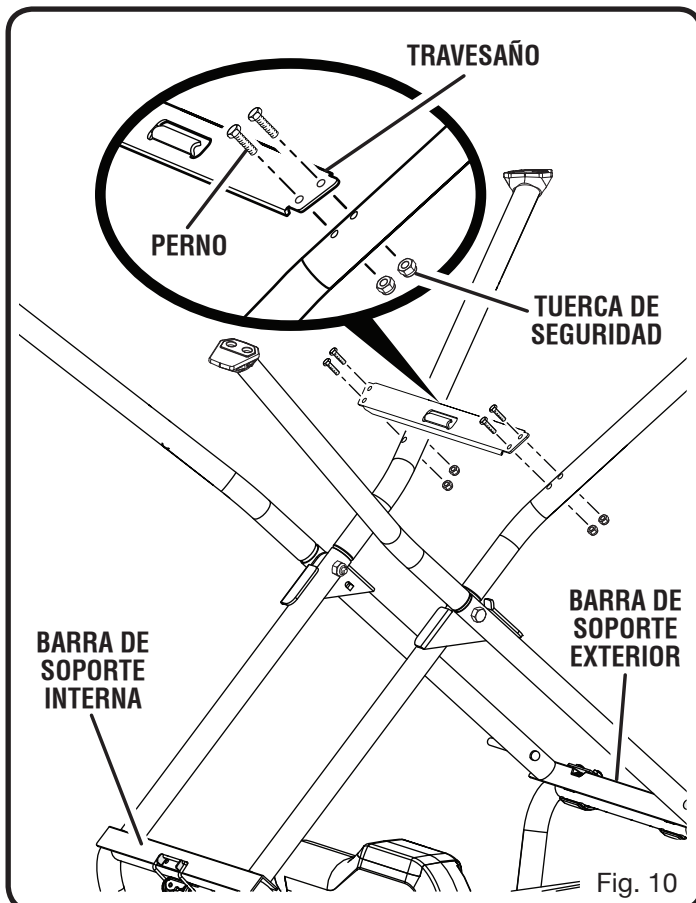
INSTALACIÓN DE RUEDAS EN EL PEDESTAL

Vea la figura 11.

Localice las siguientes piezas

Rueda	2
Arandela (OD16 x ID8 x 2t).....	4
Tuerca de seguridad (M8).....	2

- Coloque una arandela, un rueda y otra arandela en cada eje.
- Coloque una tuerca de seguridad en el eje y ajústela con seguridad con una llave de 13 mm.



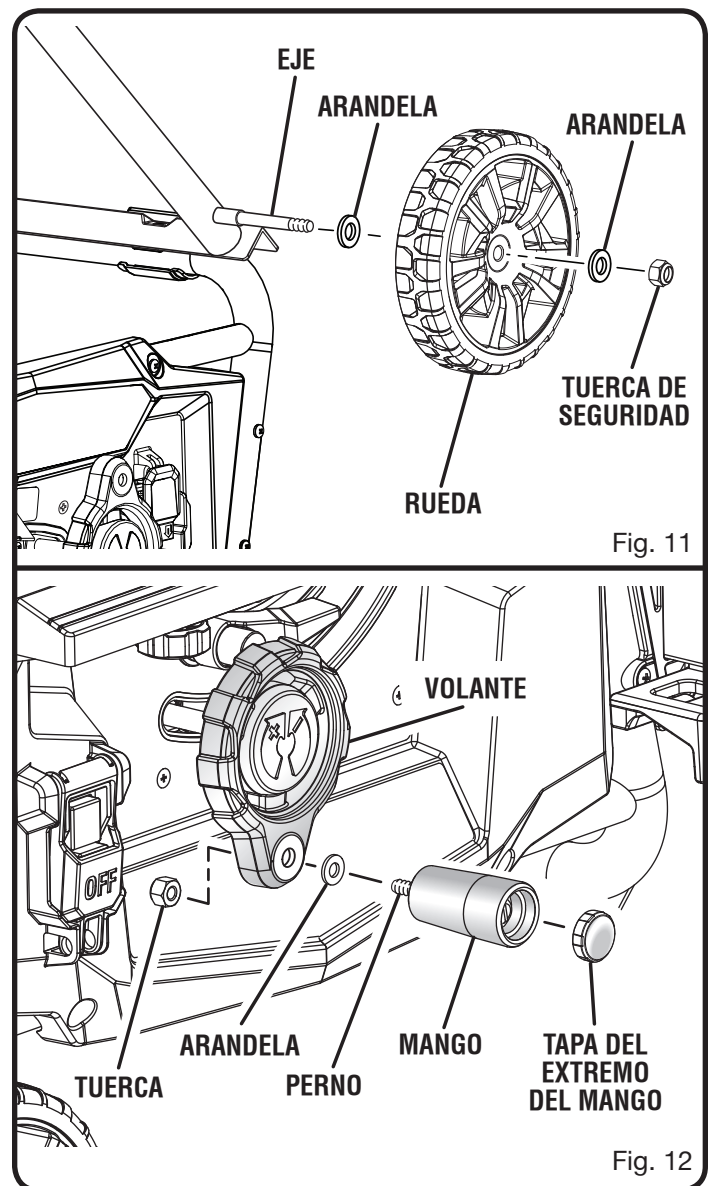
PARA INSTALAR MANGO

Vea la figura 12.

Localice las siguientes piezas

Conjunto del mango	1
Tapa del extremo del mango	1

- Quite la tuerca hexagonal del perno del mango, pero sin quitar el perno o arandela.
- Coloque la tuerca hexagonal en el agujero en hueco de la parte trasera del volante de ajuste de altura y manténgala en su lugar.
- Introduzca el mango, perno y la arandela en el agujero del volante de ajuste de altura.
- Con un destornillador de punta plana gire a la derecha el perno y apriételo.
- Cubra el extremo del mango empujando la tapa en su lugar.



ARMADO

PARA MONTAR LA EXTENSIÓN DE LA MESA DESLIZABLE

Vea las figuras 13 y 14.

Localice las siguientes piezas

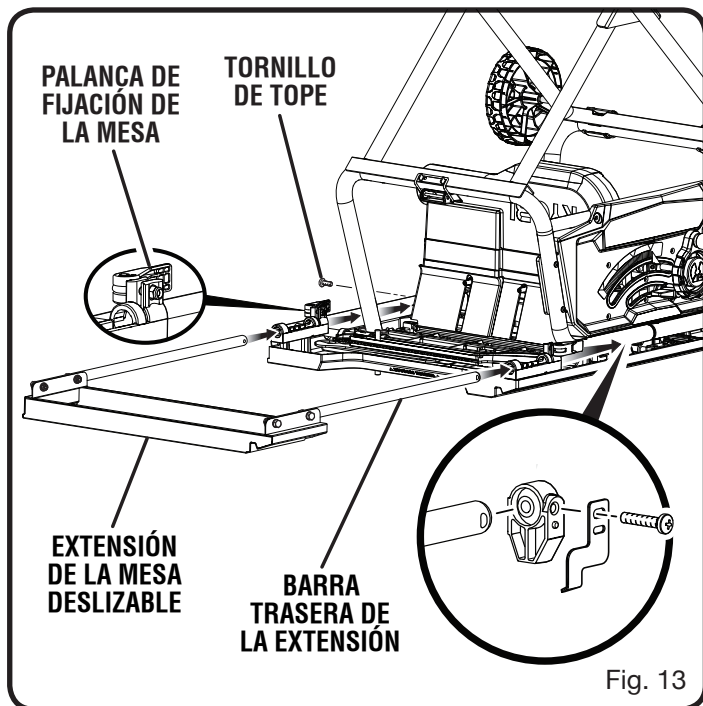
Extensión de la mesa deslizable	1
Tornillo de tope.....	1
Tornillo (M4 x 25 mm, cabeza segmentada).....	1
Indicador	1
Bloqueo de indicador de corte al hilo	1
Tapa del extremo del mango	1

Para instalar la extensión deslizable:

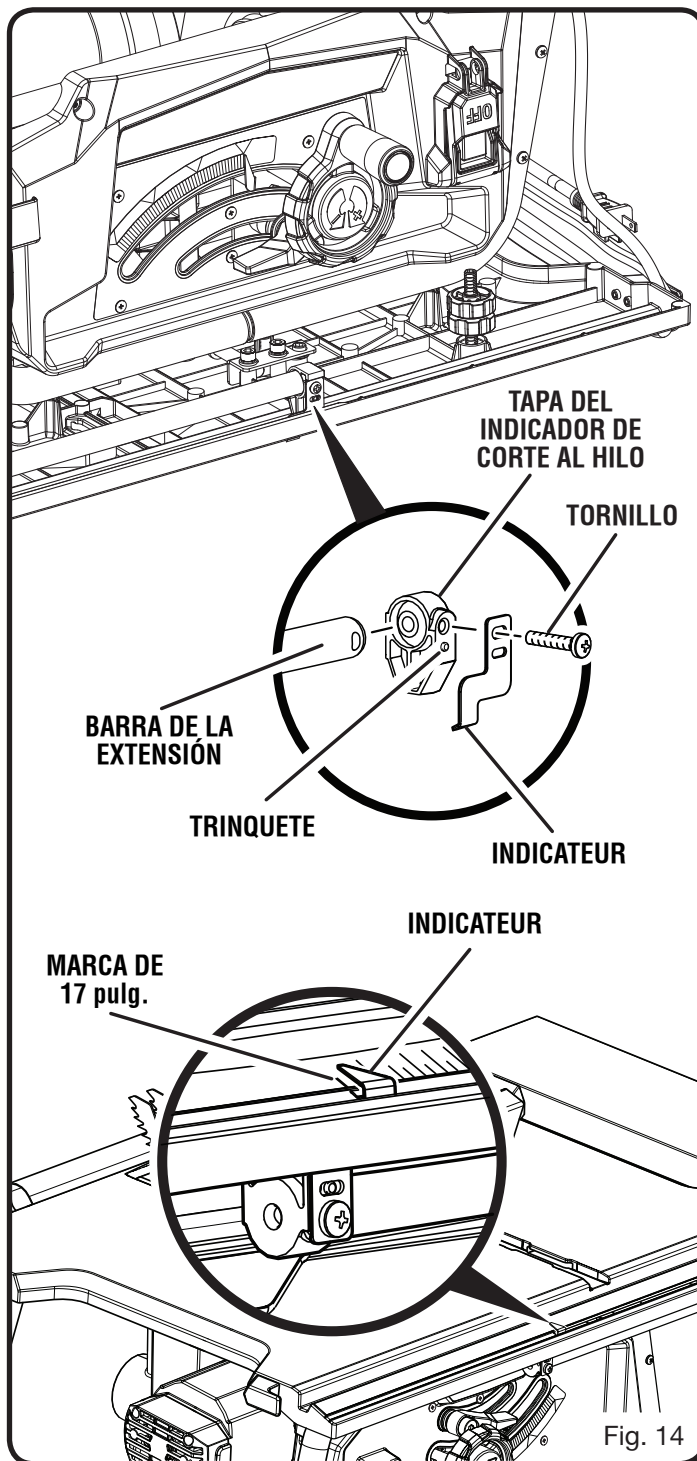
- Desbloquear la frente y atrás la palanca de fijación de la extensión de la mesa deslizable.
- Inserte la extensión de la mesa deslizable en las palancas de fijación de la mesa.
- Empuje la extensión de la mesa deslizable hasta que descansa contra la mesa de la sierra y quede completamente cerrada.
- Instale el tornillo de tope en el orificio de la parte inferior de la barra de extensión trasera para sostener la extensión de la mesa deslizable en las palancas de fijación.
- Asegurar la frente y atrás la palanca de fijación de la mesa.

Para instalar indicador:

- Apriete la tapa extremo sobre la barra delantera de ebarra de la extensión (vea la figura 14).
- Deslice el indicador a través de la ranura en el extremo delantero de la mesa y en la tapa del indicador de corte al hilo.
- Acomode la ranura superior del indicador en el trinquete en le tapón extremo y la ranura inferior en el agujero de tornillo en le tapón extremo.



- Introduzca un tornillo en la ranura inferior del indicador, en el agujero del tapón del extremo y en la barra de la extensión.
- Alinee el indicador con el marca de 432 mm (17 pulg.). Demasiado puede aplastar fines de barra de la extensión de extremo.



ARMADO

PARA ABRIR Y CERRAR (PREPARAR Y DESMONTAR) EL PEDESTAL

Vea la figura 15.

NOTA: Use el soporte para enrollar el cordón del lateral de la sierra para evitar que el cordón moleste al montar o desmontar la sierra.

Para abrir (preparar) la plataforma con patas:

- **Paso 1:** Coloque la sierra sobre el extremo con ruedas. Abra el pestillo y desengánchelo del travesaño. Acueste las secciones de las patas.
- **Paso 2:** Tome la barra de soporte interna de la plataforma y elévela hasta que llegue al marco de la sierra. Pase el pestillo por sobre la barra de soporte interna de la plataforma y empuje hacia abajo hasta que quede enganchado.
- **Paso 3:** Asegúrese de que la tabla de extensión quede en la posición bloqueada. Coloque el pie derecho sobre la pata de

la sierra para que no se mueva mientras empuja hacia abajo la pata superior y eleve la armazón de la sierra para colocar la sierra en posición vertical.

Para cerrar (desmontar) la plataforma con patas:

- **Paso 1:** Parado a un lado de la sierra de mesa, coloque el pie contra el pie de la sierra. Sostenga la mesa de la sierra y agarre la pata superior de esta. Asegúrese de que la tabla de extensión quede en la posición bloqueada. Incline la sierra hacia la izquierda y bájela al suelo hasta que quede equilibrada.
- **Paso 2:** Abra y libere el pestillo. Deje que ambas secciones de las patas queden acostadas.
- **Paso 3:** Agarre el travesaño y levante ambas secciones de las patas hasta que el travesaño se encuentre con el pestillo. Enganche el pestillo en el travesaño y empújelo hacia atrás hasta que quede bloqueado.

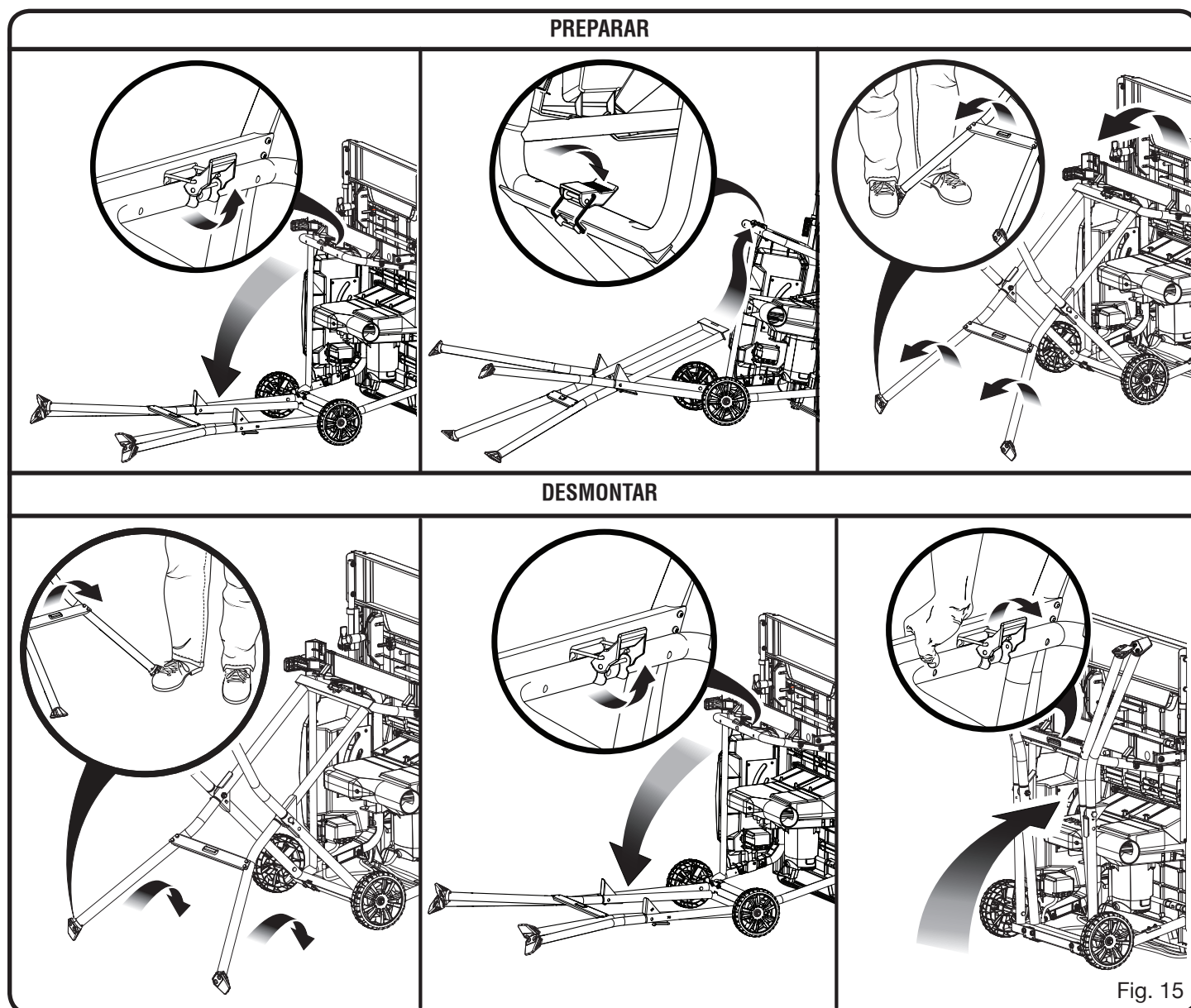


Fig. 15

ARMADO

PARA QUITAR Y PONER LA PLACA DE LA GARGANTA

Vea las figuras 16 y 17.

⚠ ADVERTENCIA:

Si la placa de la garganta está demasiado alta o demasiado baja, es posible que la pieza de trabajo se enganche en los bordes desiguales, lo que puede resultar en atascos o contragolpes que podrían provocar lesiones personales graves. Verifique que la placa de la garganta esté colocada correctamente. Antes de encender la sierra, realice una operación de corte en seco para asegurarse de que no haya problemas cuando realice el corte. Si la pieza de trabajo se engancha, no intente utilizar la sierra. Póngase en contacto con el servicio de atención al cliente para obtener ayuda.

- Gire a la izquierda el volante de ajuste de altura y bisel para bajar la hoja de la sierra.
- Para quitar la placa de la garganta, gire la perilla a la posición de desbloqueo. Coloque el dedo índice en el orificio, y levante y tire de la placa de la garganta hacia la parte frontal de la sierra.
- Para volver a colocar la placa de la garganta, gire la perilla a la posición de bloqueo. Coloque la placa de la garganta nuevamente en la sierra y gire la perilla a la posición de bloqueo.

NOTA: La placa de garganta puede moverse hacia arriba y hacia abajo a través del tiempo. Si es necesario, use un destornillador Phillips para ajustar los tornillos ubicados debajo de la placa de la garganta hasta que esta quede nivelada con la mesa de la sierra.

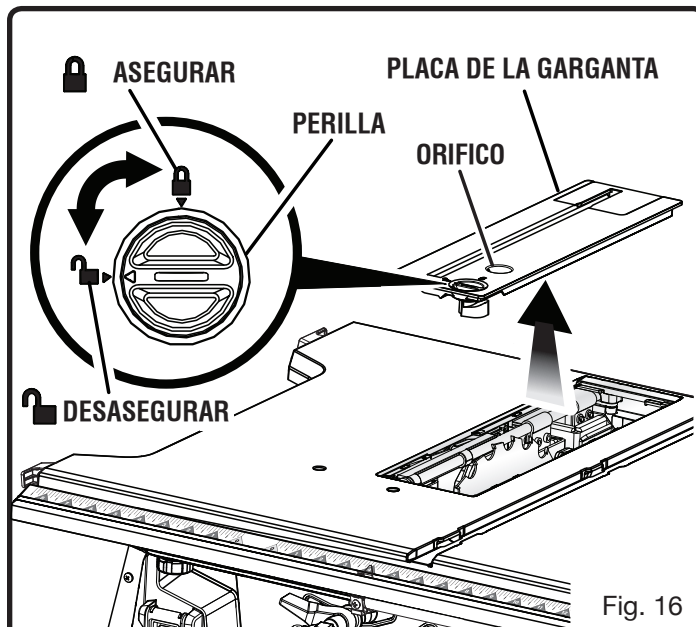


Fig. 16

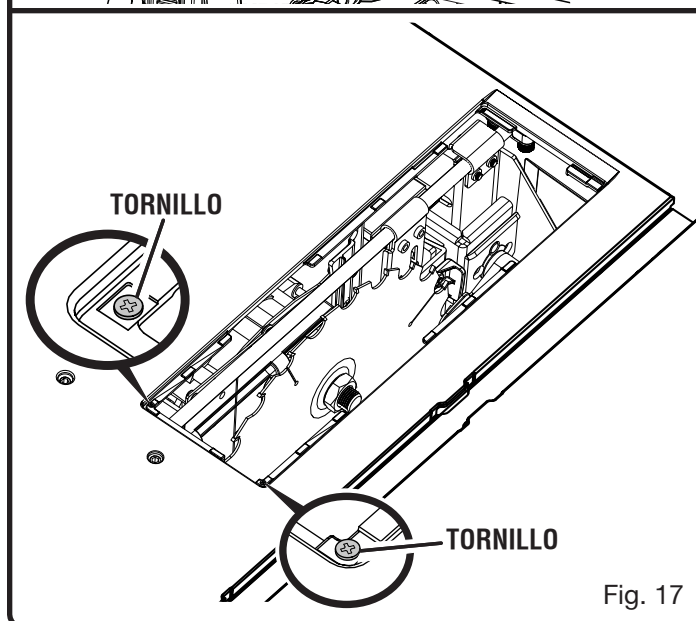


Fig. 17

ARMADO

PARA CAMBIAR POSICIÓN UN CUCHILLA SEPARADORA

Vea la figura 18.

La sierra es enviado con el cuchilla separadora colocó en el corte no pasante o “abajo” la posición (cuchilla separadora la posición) y debe estar ser colocado en el lanzamiento o “arriba” la posición para todas las otras operaciones cortes.

⚠ PRECAUCIÓN:

Tenga cuidado al meter las manos dentro de la garganta de la mesa de la sierra. El contacto con la hoja, incluso cuando esté detenida, podría causar lesiones en las manos o los brazos.

- Desconecte la sierra.

Para colocar en la posición de “arriba” para todo por cortes pasante:

- Desmontaje de la placa de la garganta.
- Eleve la hoja de la sierra, para ello, gire a la derecho el volante de ajuste de altura y bisel.
- Desbloquear la palanca de afloje tirandolo arriba.
- Alcanae el cuchilla separador y tire hacia lado derecho del sierra para soltar de la el separador de la munis de ressorts de la abrazadera cuchilla separadora.
- Tire el cuchilla separador hasta que los pasadores interno son enganchada et el separador esté arriba del hoja de la sierra.
- Asegurar la palanca de afloje empujando la palanca hacia abajo.

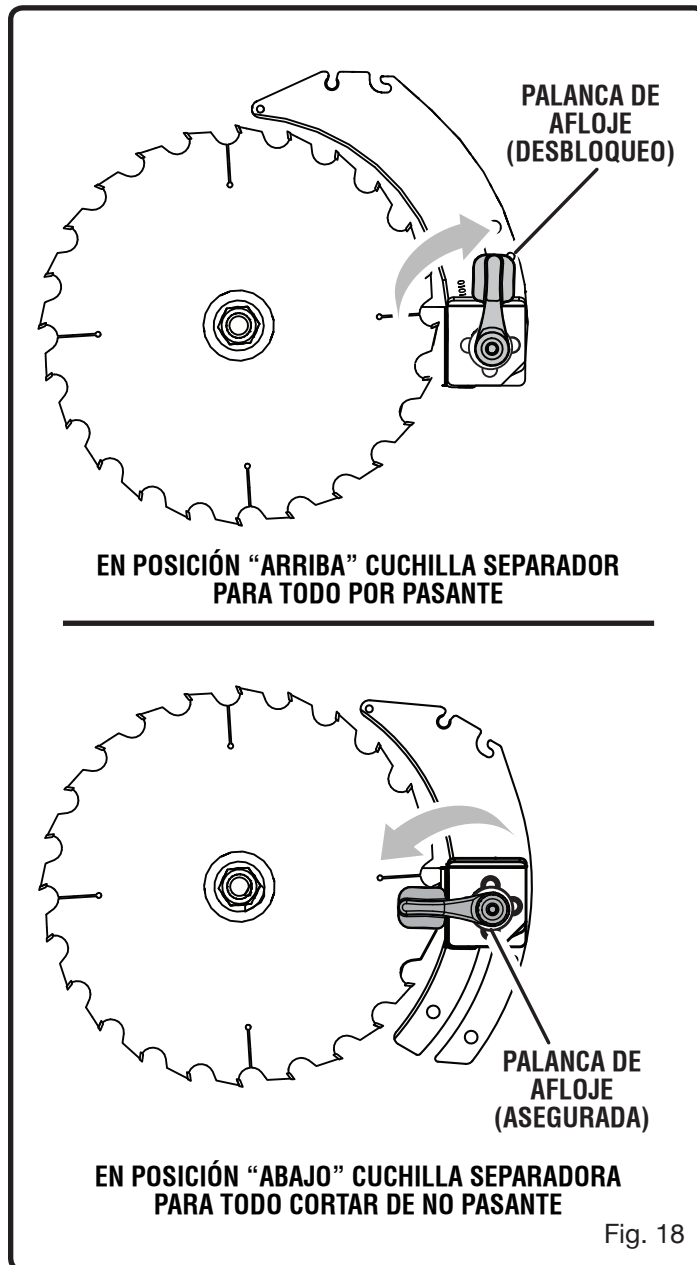
⚠ ADVERTENCIA:

Asegúrese de que la palanca de afloje esté completamente bloqueada. Si resulta difícil bloquear la palanca de liberación, limpie bien los componentes de la palanca con aire comprimido o con un trapo suave y limpio, como se describe en la sección **Cómo limpiar las placas de la palanca de bloqueo de la cuchilla separadora** en *Mantenimiento*. Si no bloquea la palanca de afloje por completo, la cuchilla separadora podría cambiar de posición durante el uso de la sierra, lo que podría, a su vez, resultar en lesiones personales graves.

- Réinstaller de la placa de la garganta.

Para colocar en la posición de “abajo” para todo por cortes no pasante:

- Desmontaje de la placa de la garganta.
- Eleve la hoja de la sierra, para ello, gire a la izquierdo el volante de ajuste de altura y bisel.
- Desbloquear la palanca de afloje tirandolo arriba.



- Alcanae el cuchilla separador y tire hacia lado derecho del sierra para soltar de la el separador de la munis de ressorts de la abrazadera cuchilla separadora.
- Empuje hacia abajo el cuchillo separadora hasta que esté debajo del hoja de la sierra.
- Asegurar la palanca de afloje empujando la palanca hacia abajo.
- Réinstaller de la placa de la garganta.

ARMADO

PARA REVISAR LA INSTALACIÓN DE LA HOJA DE LA SIERRA

Vea la figura 19.

AVISO:

Para funcionar correctamente, los dientes de la hoja deben apuntar hacia la parte frontal de la sierra, hacia abajo. La inobservancia de esta advertencia podría causar daños a la hoja de la sierra, la sierra o la pieza de trabajo.

- Desconecte la sierra.
- Quite la llave de la hoja de la área de guardar la llave de la hoja.
- Baje la hoja de la sierra y quite la placa de la garganta.
- Suba la hoja a su máxima altura; para ello, gire a la derecha el volante de ajuste de altura y bisel.
- Asegúrese de que la palanca de fijación de bisel esté bloqueada. (Vea la figura 38.)
- Colocar cuchilla separador en la posición “arriba”.

Para aflojar la hoja:

- Coloque el extremo abierto plano de la llave de la hoja de extremo abierto en las partes planas del vástago del árbol.
- Inserte la llave de la hoja de extremo cerrado en la tuerca de la hoja. Sosteniendo ambas llaves firmemente, jale la llave de extremo cerrado hacia delante en dirección al frente de la máquina.

NOTA: El árbol tiene mano de enhebra derechos.

Para aflojar la hoja:

- Coloque el extremo abierto plano de la llave de la hoja de extremo abierto en las partes planas del vástago del árbol.
- Inserte la llave de la hoja de extremo cerrado en la tuerca de la hoja. Sosteniendo ambas llaves firmemente, jale la llave de la hoja de extremo cerrado hacia la parte trasera de la máquina. Asegúrese de que la tuerca de la hoja esté apretada firmemente. No apriete excesivamente.

NOTA: El árbol tiene mano de enhebra derechos.

- Vuelva a instalar la placa de la garganta.
- Verifique la existencia de los espacios necesarios para permitir el giro libre de la hoja.

Después de la instalación, ajuste el indicador de escala de corte al hilo para adaptarlo al ancho de corte y el grosor de la hoja. Consulte el apartado **Para ajustar a la hoja el indicador de la escala de la guía de corte al hilo** en la sección *Funcionamiento* de este manual. En las operaciones de corte la escala se ajusta con respecto al lado de la hoja donde se medirá y efectuará el corte.

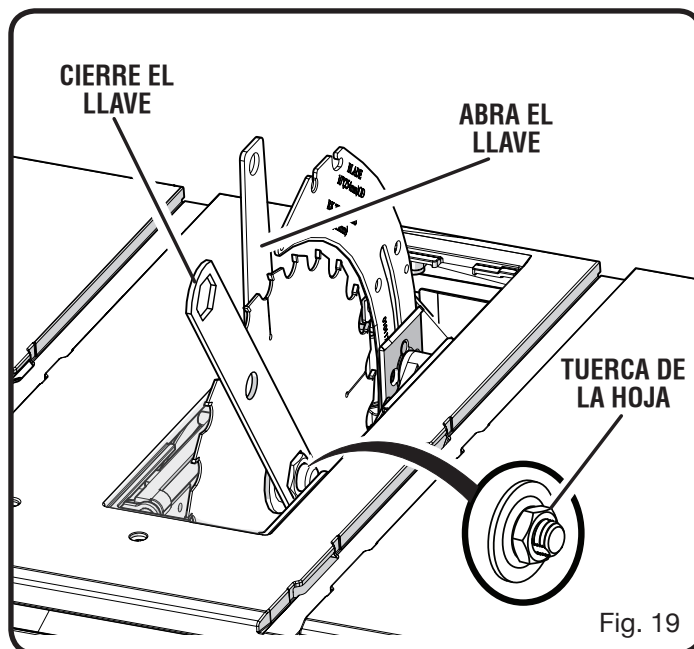


Fig. 19

ARMADO

PARA INSTALAR EL PROTECCIÓN DE LA HOJA

Vea las figuras 20 y 21.

⚠ ADVERTENCIA:

Instale siempre la protección de la hoja y las garras que no permiten el retroceso en la cuchilla separadora en la posición "ascendente" para suministrar una cobertura de hoja adecuada. Instalar los componentes protectores en la cuchilla separadora en otra posición evitará que funcione tal como fue diseñada, lo que podría incrementar el riesgo de lesiones personales graves.

⚠ ADVERTENCIA:

Si los trinquetes anticontragolpe están deteriorados o dañados, cambie la protección de la hoja. Los trinquetes deteriorados o dañados podrían no detener un contragolpe, lo que incrementa el riesgo de lesiones personales graves.

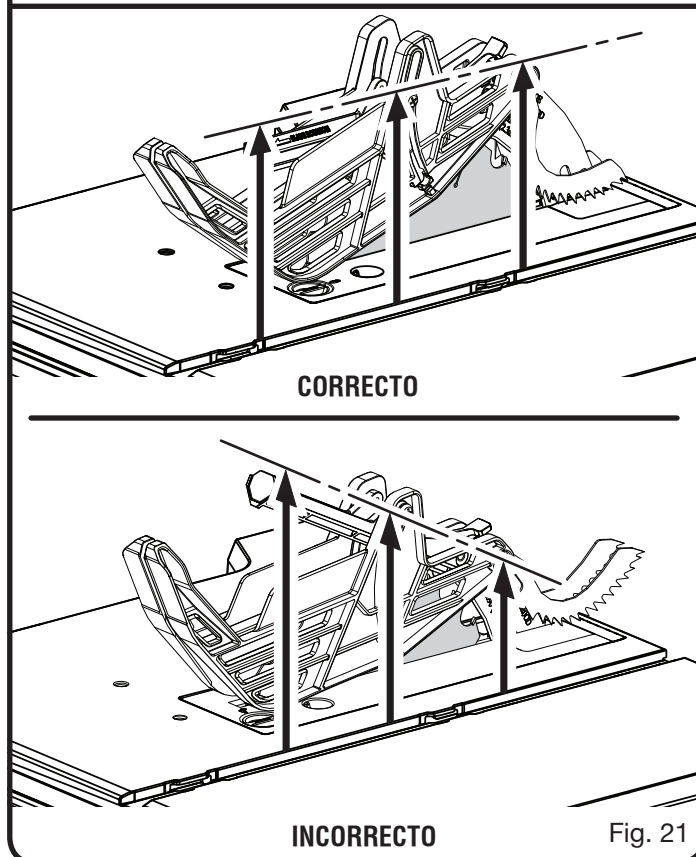
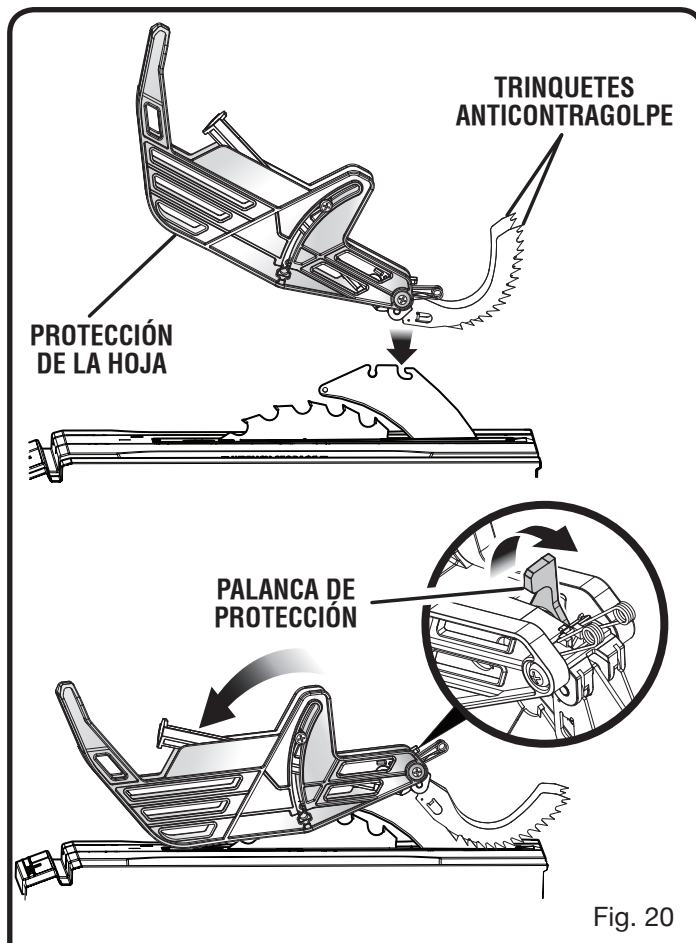
Los trinquetes anticontragolpe forman parte de la protección de la hoja de esta sierra. Solo deben utilizarse para cortes transversales. Cuando no se necesiten, pueden moverse.

- Desconecte la sierra.
- Eleve la hoja de la sierra, para ello, gire a la derecha el volante de ajuste de altura y bisel.
- Colocar cuchilla separador en la posición "arriba".
- Vuelva a instalar la placa de la garganta.

Para instalar el protección de la hoja:

- Levante la palanca de protección hasta para desbloquear.
- Con la frente del protección de la hoja levantó, baja la espalda del protección en el hoyo mediano del cuchilla separadora como se muestra. Presione la parte delantera del protector hacia abajo hasta que la barra que está dentro del protector quede en posición **paralela a la mesa** (consulte la figura 20). Si la barra no está en posición paralela a la mesa, la cuchilla separadora no está en la posición "hacia arriba".
- Cierre al protección en el lugar empujando la palanca de protección.
- Las barreras laterales de protección de la hoja pueden plegarse hacia atrás sin quitarla para realizar mediciones con mayor facilidad.

NOTA: La alineación de la hoja de corte se puede ajustar para hojas de diferentes espesores. Consulte el apartado **Para revisar o alinear cuchilla separadora y la hoja**. Verifique los espacios libres y la libertad de movimiento del conjunto de protección de la hoja.



ARMADO

PARA REVISAR Y ALINEAR CUCHILLA SEPARADORA Y LA HOJA

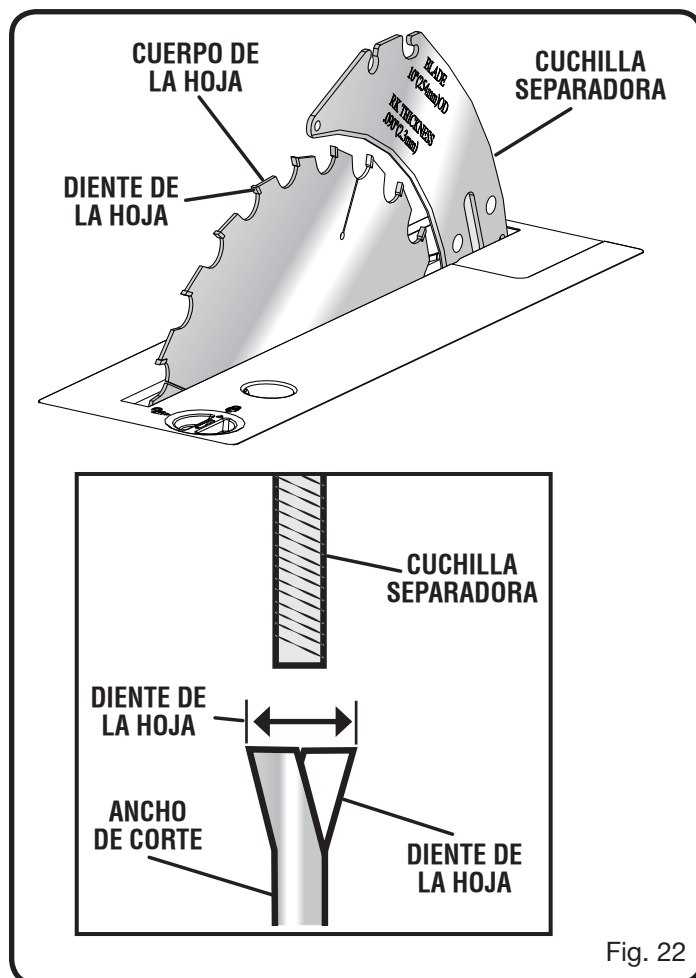
Vea las figuras 22 y 23.

Para verificar la alineación del cuchilla separadora:

- Desconecte la sierra.
- Eleve la hoja de la sierra; para ello, gire a la derecha el volante de ajuste de altura y bisel.
- Ajuste el ángulo de bisel a 0° y bloquee la palanca de bloqueo de bisel.
- Levante el conjunto de protección de la hoja.
- Para verificar la alineación horizontal, coloque una escuadra de entramado o un borde recto contra el cuerpo de la hoja de sierra y la cuchilla separadora. La escuadra de entramado debe hacer contacto tanto con el cuerpo de la hoja como con la cuchilla separadora de manera uniforme, sin espacios. Verifique la alineación con ambos lados del cuerpo de la hoja.

NOTA: El ancho de corte o de cada diente es más ancho que el cuerpo de la hoja. Cuando la cuchilla separadora esté alineada correctamente, quedará centrada en el ancho del corte.

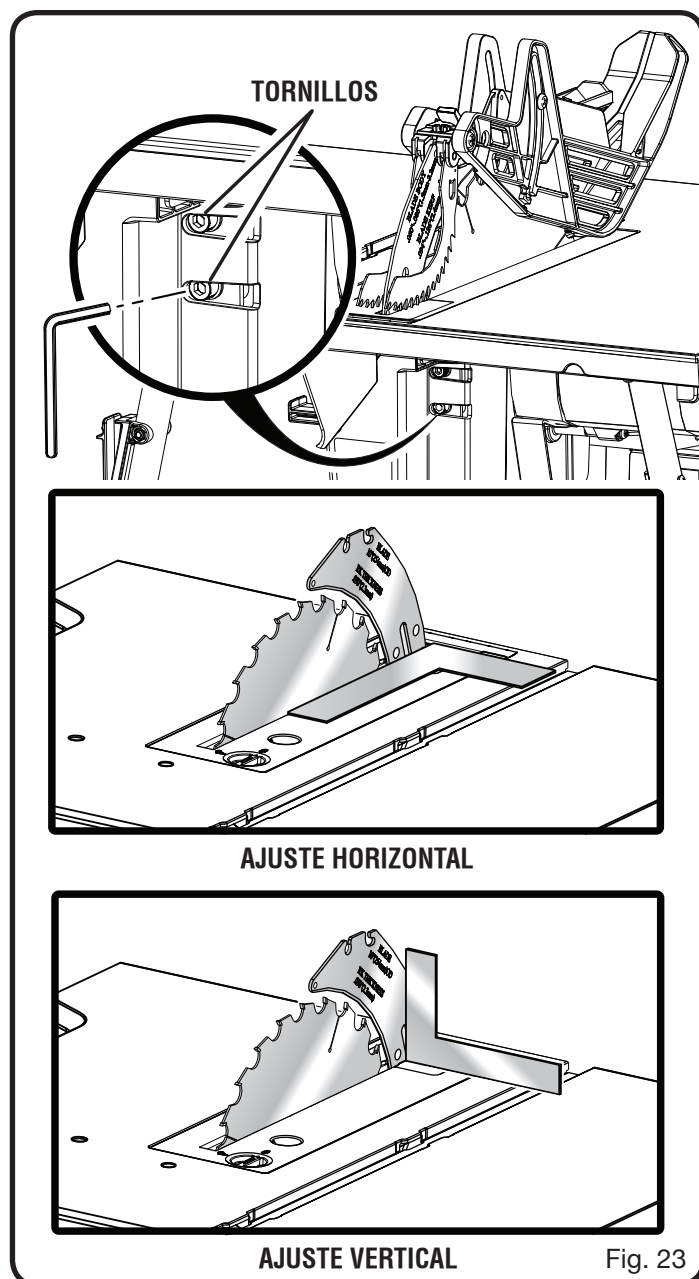
- Para verificar la alineación vertical, coloque una escuadra de entramado junto a la cuchilla separadora. El borde de la escuadra de entramado y la cuchilla separadora deben estar paralelos.



Si el cuchilla separadora está desalineado con respecto a la hoja, es necesario efectuar un ajuste. El cuchilla separadora debe estar frente alineado de apoyar (horizontalmente) y la cubierta para inferior (verticalmente).

Para ajustar (horizontal y verticaly):

- Suba la hoja a su máxima altura.
- Levante el conjunto de protección de la hoja.
- Vista de la trasero la sierra, afloje los tornillos al soporte de montaje.
- Mueva a la izquierda o derecha el el cuchilla separadora según sea necesario para alinear el cuchilla separadora con la hoja de la sierra.
- Una vez debidamente alineado el conjunto, apriete firmemente los tornillos.
- Revise de nuevo para ver si está a escuadra y seguir ajustando efectúe los ajustes necesarios.



ARMADO

PARA MOVAR LA SIERRA

Vea la figura 24.

- Cierre el pedestal con patas como se describió en el **Para abrir y cerrar (preparar y desmontar) el pedestal** anteriormente en esta sección.
- Sosteniendo la plataforma con patas con firmeza, tire de ella hacia usted hasta que esta y la sierra queden balanceadas sobre las ruedas como un carro de mano.
- Empuje la sierra hasta la ubicación deseada y, luego, abra la plataforma con patas para la operación inmediata de la sierra o guárdela en un lugar seco.

ALMACENAMIENTO DE ACCESORIOS DE LA SIERRA DE MESA

Vea las figuras 25 a 28.

Cuando no estén en uso, la guía de corte al hilo, la cuchilla separadora, las llaves, la protección de la hoja, el medidor de inglete, y el palo empujador pueden guardarse debajo de la mesa de la sierra.

También hay un compartimento de almacenamiento adicional para el palo de empuje en la parte superior de la guía de corte al hilo. Para usar el área de almacenamiento, inserte la punta del palo de empuje en el hueco hasta que encaje en su lugar.

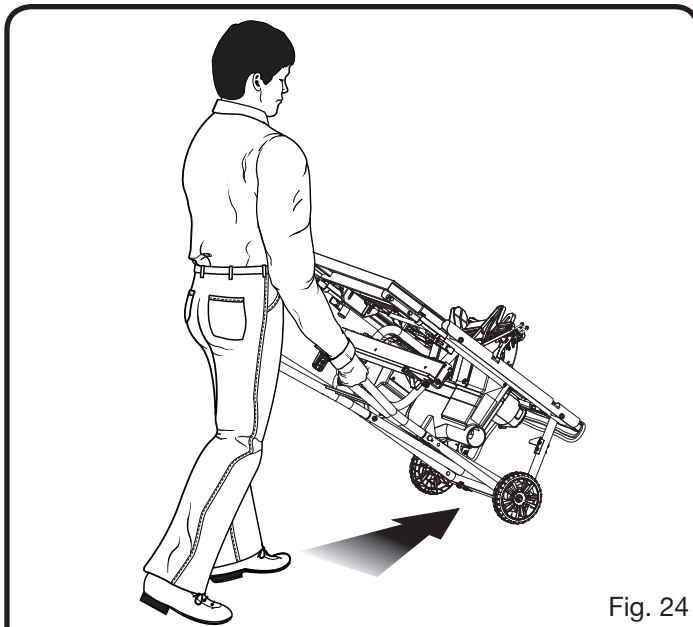


Fig. 24

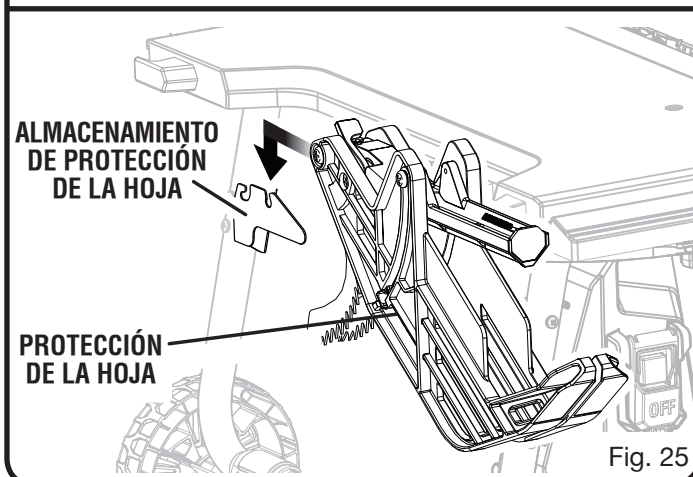


Fig. 25

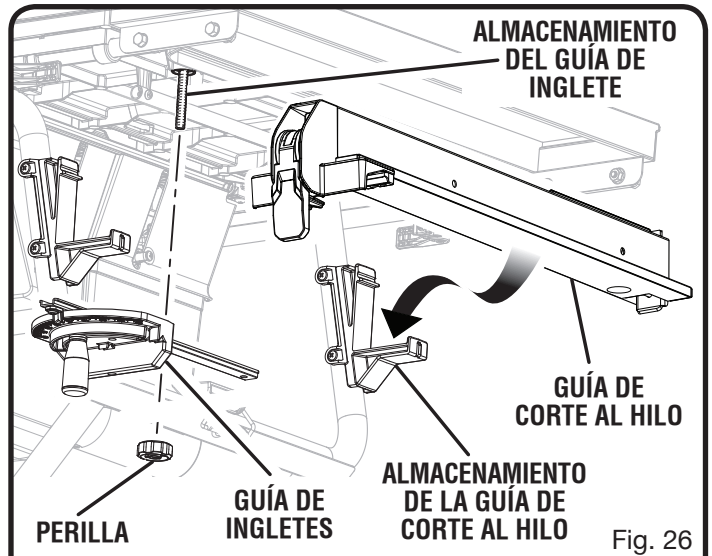


Fig. 26

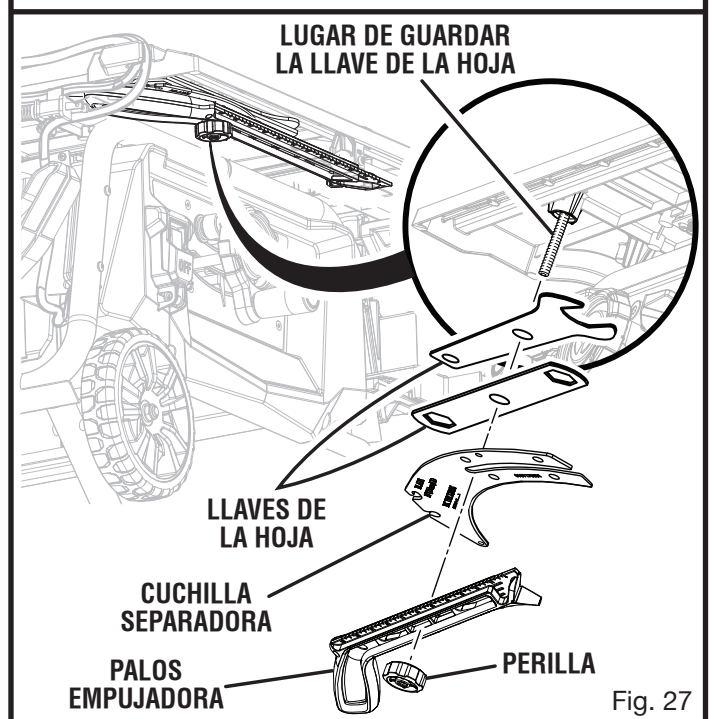


Fig. 27

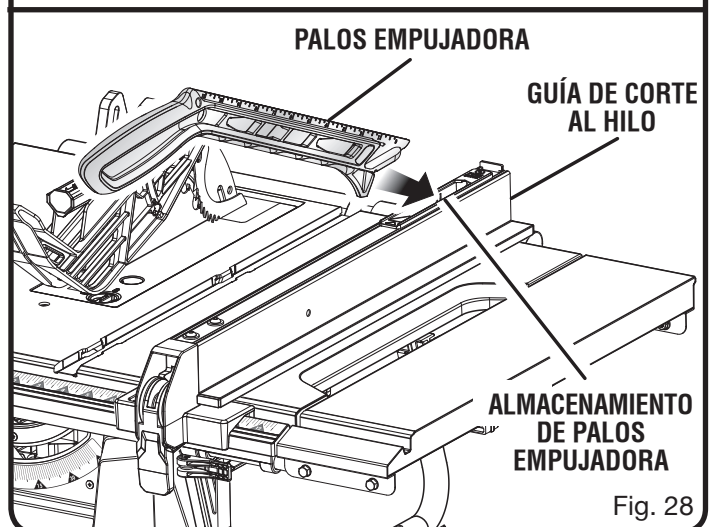


Fig. 28

FUNCIONAMIENTO

ADVERTENCIA:

No permita que su familiarización con las herramientas lo vuelva descuidado. Tenga presente que un descuido de un instante es suficiente para causar una lesión seria.

ADVERTENCIA:

Siempre póngase protección ocular con la marca de cumplimiento de la norma ANSI Z87.1. Si no cumple esta advertencia, los objetos que salen despedidos pueden producirle lesiones serias en los ojos.

ADVERTENCIA:

No utilice ningún aditamento o accesorio no recomendado por el fabricante de esta herramienta. El empleo de aditamentos o accesorios no recomendados podría causar lesiones serias.

ADVERTENCIA:

Aunque en muchas de las ilustraciones de este manual aparece la protección de la hoja quitada para mayor claridad, no utilice la sierra sin la misma, a menos que se indique así específicamente.

ADVERTENCIA:

La sierra de mesa debe montarse sobre una superficie de apoyo firme, como una mesa de trabajo o un pedestal con patas que permita colocar la sierra a la altura de la cintura. Muchas de las ilustraciones de este manual aparece la sierra no montado para mayor claridad, no utilice la sierra sin la misma.

APLICACIONES

Esta herramienta puede emplearse para los fines enumerados abajo:

- Operaciones de corte en línea recta como cortes transversales, cortes al hilo, cortes a inglete, cortes en bisel y cortes combinados
- Cortes de ranurado o moldeados con accesorios opcionales
- Ebanistería y carpintería

NOTA: Esta sierra de mesa está diseñada para cortar madera y productos de composición de la misma solamente.

FUNCIONAMIENTO BÁSICO DE LA SIERRA DE MESA

Para reducir el riesgo de descarga eléctrica, esta herramienta tiene un enchufe polarizado (una clavija es más ancha que la otra). Este enchufe encajará en un tomacorriente polarizado de una sola manera. Si el enchufe no encaja completamente en el tomacorriente, invierta el enchufe. Si aún no encaja, comuníquese con un electricista cualificado para instalar el tomacorriente adecuado. No cambie el enchufe de ninguna manera. Consulte el apartado *Aspectos eléctricos* de este manual.

CAUSAS DE LOS CONTRAGOLPES

El contragolpe puede ocurrir cuando la hoja se atasca o dobla, lanzando la pieza de trabajo hacia atrás, hacia usted, con gran fuerza y velocidad. Si tiene las manos cerca de la hoja de la sierra, pueden soltarse de la pieza de trabajo y tocar la hoja. Obviamente, el contragolpe puede causar lesiones graves y vale la pena tener precauciones para evitar riesgos.

Cualquier acción que pellizque la hoja en la madera puede causar un contragolpe, como las siguientes:

- Hacer un corte con una profundidad incorrecta de la hoja
- Cortar nudos o clavos presentes en la pieza de trabajo
- Girar la madera al efectuar un corte
- No sujetar la pieza de trabajo
- Efectuar cortes forzados
- Cortar madera combada o húmeda
- Utilizar una hoja equivocada para el tipo de corte deseado
- No seguir los procedimientos correctos de trabajo
- Hacer mal uso de la sierra
- No utilizar los trinquetes contragolpe
- Cortar con una hoja desafilada, cubierta de goma o mal triscada

FORMA DE EVITAR CONTRAGOLPES

- Siempre utilice el ajuste correcto de profundidad de la hoja. La parte superior de los dientes de la hoja debe sobresalir de la pieza de trabajo de 3,2 a 6,4 mm (de 1/8 a 1/4 pulg.).
- Inspeccione la pieza de trabajo para ver si contiene nudos o clavos antes de empezar a cortar. Desaloje todo nudo suelto con un martillo. Nunca corte nudos sueltos ni clavos.
- Siempre utilice la guía de corte al hilo para efectuar cortes de este tipo. Siempre utilice la guía de ingletes para efectuar cortes transversales. Esto ayuda a evitar el giro de la madera durante el corte.
- Siempre utilice hojas limpias, afiladas y triscadas correctamente. Nunca efectúe cortes con hojas sin filo.
- Para evitar pellizcar la hoja, apoye adecuadamente la pieza de trabajo antes de iniciar un corte.
- Aplique una presión estable y uniforme al efectuar el corte. Nunca efectúe cortes forzados. No suelte la pieza de trabajo hasta que termine de pasarla por la hoja.
- No corte madera combada o húmeda. La pieza de trabajo debe tener un borde recto para que pueda guiarla a lo largo de la guía de corte al hilo.
- Utilice precaución adicional al cortar algún prefinished o productos de madera de composición como los trinquetes anticongolpe confidencial no siempre pueden ser efectivos.
- Siempre indique la pieza de trabajo con ambas manos o con palos empujadoras y/o bloques empujadores. Mantenga el cuerpo en una posición equilibrada para estar preparado para resistir un contragolpe si llega a ocurrir. Nunca se pare en línea frente a la hoja.
- El uso de un peine de sujeción ayudará a asidero el pieza de trabajo firmemente contra la mesa de sierra o guía.

FUNCIONAMIENTO

- Limpie el sierra, protección de la hoja, bajo el placa de la garanta, y bajo cualquier área donde sierra o pieza de trabajo o aserrín puede reunir
- Mantenga la protección de la hoja, la cuchilla separadora y los trinquetes anticontraGolpe en su lugar y en un estado de funcionamiento apropiado. La cuchilla separadora debe estar alineada con la hoja y los trinquetes anticontraGolpe deben detener un contraGolpe una vez que se haya iniciado. Verifique su funcionamiento antes de realizar un corte al hilo.
- Mantenga la guía de corte al hilo en posición paralela a la hoja de sierra.
- Al realizar un corte al hilo, aplique la fuerza de alimentación a la sección de la pieza de trabajo entre la hoja y la guía de corte al hilo. Use un palo empujador o empujador cuando resulte apropiado.
- Utilice el tipo correcto de hoja para el corte por efectuar.
- Siempre utilice el cuchilla separadora para cada operación donde lo es permitido. El uso de este dispositivo reducirá mucho el riesgo de contraGolpes.

AYUDAS PARA CORTAR

Vea las figuras 29 y 30.

Las estacas empujadoras son dispositivos empleados para empujar la pieza de trabajo por la hoja en cualquier corte al hilo. Al hacer cortes de no pasante o longitudinal estreche acciones, siempre utilice un palos empujadora, bloque empujador y/o peine de sujeción tan sus manos no vienen dentro de 76,2 mm (3 pulg.) de la hoja de sierra. Se pueden hacer a partir de madera de desperdicio, en varios tamaños y formas para utilizarse en proyectos específicos. El palo empujador debe ser más angosto que la pieza de trabajo, con una muesca a 90° en un extremo y la forma para sujetarlo con la mano en el otro extremo.

Una palos empujadora tiene instalado un mango fijado con tornillos empotrados por el lado inferior o pegado con pegamento para madera. Se utiliza en cortes sin traspaso del espesor de la pieza de trabajo. Puede ser necesaria una plantilla de corte o un elemento de ayuda de corte similar para garantizar que el bloque empujador no interfiera con el corte.

PRECAUCIÓN:

Asegúrese de que los tornillos de la plancha empujadora estén en hueco para evitar dañar la sierra o la pieza de trabajo.

Puede comprar bloques y palos empujadores como los que se muestran en la figura 29 en su tienda local. Tenga en cuenta que la sierra incluye un palo empujador. Para fabricar elementos adicionales de ayuda de corte, siga las siguientes instrucciones.

Para fabricar un palo empujador:

El material, la forma y el tamaño del palo empujador pueden variar. Para este proyecto, use un pedazo de madera maciza de 457,20 mm (18 pulg.) de largo, 38,10 mm (1-1/2 pulg.) de ancho y 19,05 mm (3/4 pulg.) de espesor.

- Si lo desea, corte una curva en un extremo de la pieza de trabajo que sirva de agarre.
- Corte una muesca en el extremo opuesto de la pieza de trabajo. Durante el uso, este extremo hará contacto con el borde del material que desea cortar.

Para fabricar un bloque empujador:

El material, la forma y el tamaño del bloque empujador pueden variar. Para este proyecto, use dos piezas de madera maciza para hacer la base y el mango. La base tiene 127,00 mm (5 pulg.) de largo, 76,20 mm (3 pulg. de ancho) y 9,53 mm (3/8 pulg.) de espesor. El mango debe tener 127,00 mm (5 pulg.) de largo, 25,40 mm (1 pulg. de ancho) y 19,05 mm (3/4 pulg.) de espesor.

- Marque el centro de la base.
- Fije el mango al centro de la base con tornillos empotrados o pegamento para madera.

NOTA: Para evitar que el bloque empujador se deslice sobre la pieza de trabajo, puede colocar un pedazo de papel de lija o una almohadilla de goma antideslizante en la parte inferior de la base.

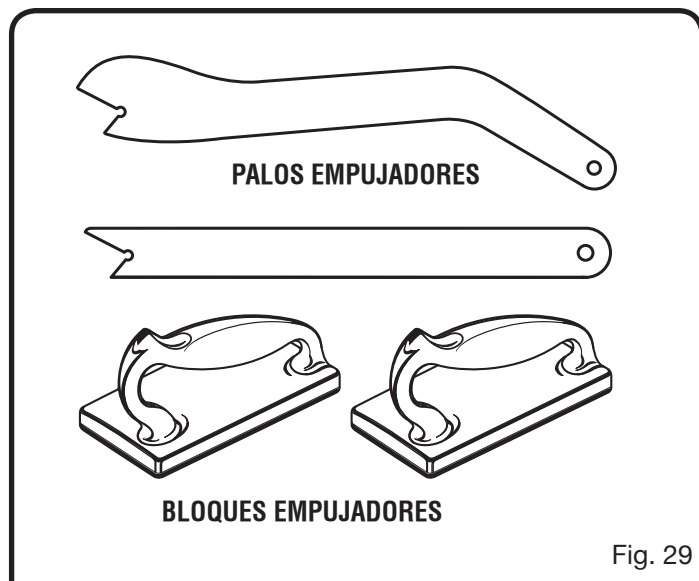


Fig. 29

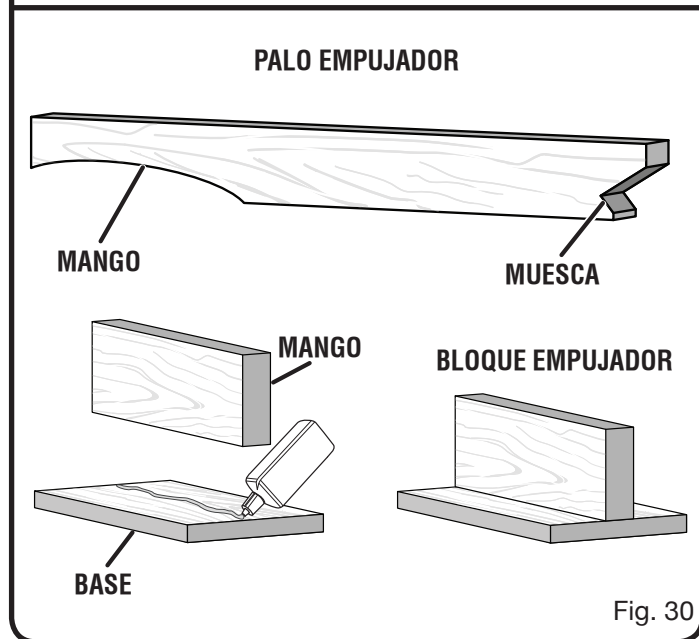


Fig. 30

FUNCIONAMIENTO

SOPORTES DE LA PIEZA DE TRABAJO

Vea la figura 31.

Cuando corte con la sierra de mesa, asegúrese de que la pieza de trabajo esté bien sujeta. El soporte adecuado de la pieza de trabajo durante el proceso de corte no solo mejora la precisión del corte, sino que también permite que este proceso sea más seguro para el usuario. Este soporte podría ser necesario en el lado de alimentación, en los laterales o en el lado de salida de la mesa. El soporte inadecuado de la pieza de trabajo puede hacer que la pieza se mueva de manera inesperada durante el proceso de corte y sorprender al usuario de la sierra. También puede hacer que el usuario aplique fuerza anormal en la pieza de trabajo para controlarla durante el proceso de corte. Este movimiento de inclinación de la pieza de trabajo ocurrirá si sobresale aproximadamente la mitad de la pieza de trabajo de alguno de los bordes de la mesa de la sierra.

Es fácil lograr el soporte adecuado. Hay pedestales de soporte disponibles en el mercado; también puede usar cualquier superficie que tenga la misma altura que la superficie de trabajo de la sierra. Si realiza una operación de prueba antes de hacer el corte que desea, sabrá si resultan necesarios soportes para completar el corte con la sierra de manera segura.

GUÍA AUXILIAR

Una guía auxiliar es un dispositivo que es utilizado para cerrar la guía de corte al hilo y la mesa de sierra. Siempre marca y utiliza y guía auxiliar al rasgar materia 1/8 pulg. o más delgado.

FORMA DE ELABORAR Y CONECTAR UNA GUÍA AUXILIAR (PARA EL CORTE AL HILO PIEZA DE TRABAJO AFINE)

Vea la figura 32.

Puede fabricar una guía auxiliar para la sierra cortando un trozo de madera de 533,40 mm (21 pulg.) de largo, al menos 19,05 mm (3/4 de pulg.) de espesor y al menos 88,90 mm (3-1/2 pulg.) de altura.

NOTA: La altura y el grosor de la guía auxiliar se pueden aumentar según el tamaño y el tipo de pieza de trabajo que desee cortar. Use guías auxiliares más altas cuando corte piezas de trabajo más altas que la altura de la guía de corte al hilo.

Para conectar la guía auxiliar a la guía de corte al hilo:

- Coloque la madera contra el lado izquierdo de la guía de corte al hilo, apoyada de manera firme sobre la mesa de la sierra.
- Desde la parte trasera de la guía de corte al hilo, asegure la madera a la guía con tornillos para madera.

NOTA: Asegúrese de que los tornillos que use para colocar la guía auxiliar no atraviesen la cara delantera de la guía.

CÓMO HACER UNA VAIVÉN (PARA EL CORTE AL HILO PIEZA DE TRABAJO)

Vea la figura 33.

Si longitudinal estreche acciones coloca las manos cierran también a la hoja, será necesario para hacer y utilizar una vaivén.

Para efectuara una vaivén:

- Conecte un mango a un pedazo largo y recto de madera y asegure de la cara inferior que utiliza tornillos empotrados.
- Corte una parada en forma de L en el lado de la vaivén.

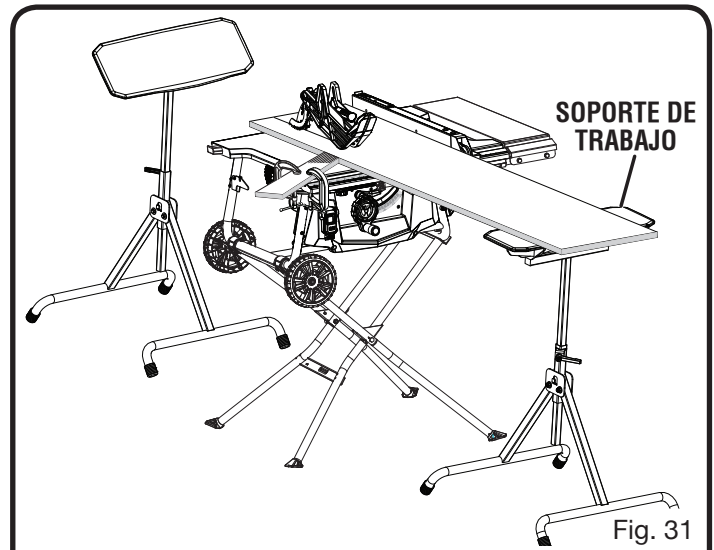


Fig. 31

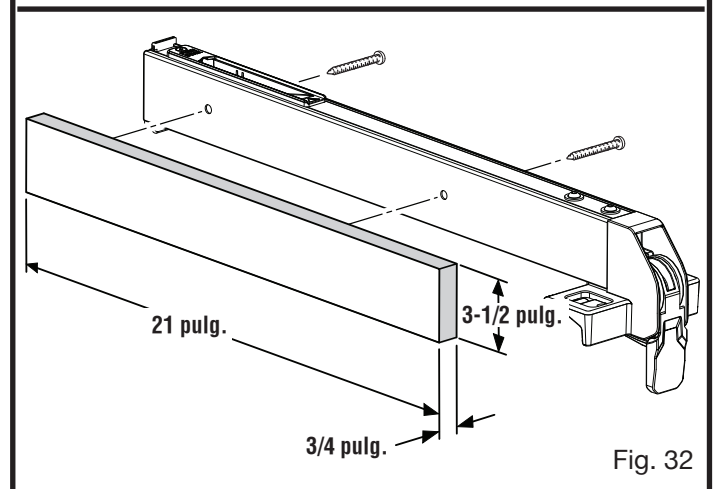


Fig. 32

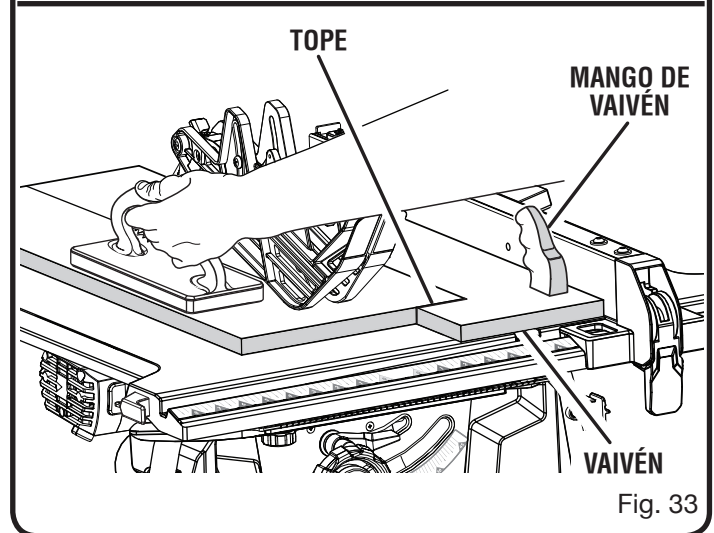


Fig. 33

FUNCIONAMIENTO

Para utilizar vaivén:

- Posicione el pieza de trabajo plano sobre la mesa con el rubor de orilla contra la vaivén y contra la tope.
- Tener el mango de vaivén y utilizar un palos empujadora y/o bloque empujador, consulte **Cómo efectuar cortes al hilo** más adelante en esta sección.

PEINES DE SUJECIÓN

El peine de sujeción es un dispositivo que se utiliza para ayudar a controlar la pieza de trabajo tenera con seguridad contra la mesa o guía. Los peines de sujeción son especialmente útiles cuando se cortan al hilo piezas de trabajo pequeñas o para terminar cortes sin traspaso del espesor de la pieza de trabajo. El extremo es angulado con un cierto número de cortes cortos para aplicar fuerza de sujeción por fricción a la pieza de trabajo, y se asegura en su lugar sobre la mesa mediante una prensa de mano. Verifique que pueda resistir un contragolpe.

⚠ ADVERTENCIA:

Coloque el peine de sujeción contra la porción sin cortar de la pieza de trabajo, para evitar un contragolpe que podría causar lesiones corporales graves.

Se pueden comprar peines de sujeción en el mercado por un precio razonable. Muchos de estos peines de sujeción se montan en las ranuras de inglete de la sierra y son fáciles de montar y usar en su sierra de mesa. Para hacer un peine de sujeción, siga las instrucciones en la siguiente sección.

FORMA DE ELABORAR UN PEINE DE SUJECIÓN

Vea la figura 34.

El peine de sujeción es un proyecto excelente para utilizar la sierra. Seleccione una pieza de madera sólida de 19 mm (3/4 pulg.) de grueso, 63,5 mm (2-1/2 pulg.) de ancho y 304,8 mm (12 pulg.) largo aproximadamente. Marque el centro del ancho en un extremo de la tabla. Corte a inglete de 70° una mitad del ancho (vea la página 39, donde encontrará información sobre los cortes a inglete).

Prepare la sierra para cortar al hilo como se explicó en la page 37. Coloque la guía de corte al hilo para permitir cortar un "diente" de 6,4 mm (1/4 pulg.) en la tabla. Avance la tabla lentamente hasta la marca hecha previamente a 101,6 mm (4 pulg.). **APAGUE** la sierra

y permita que la hoja deje de girar completamente antes de retirar la tabla. Reajuste la guía de corte al hilo y haga cortes espaciados en la pieza de trabajo para dejar dedos de 6,4 mm (1/4 pulg.) y 3,2 mm (1/8 pulg.) de espacio entre los dedos aproximadamente.

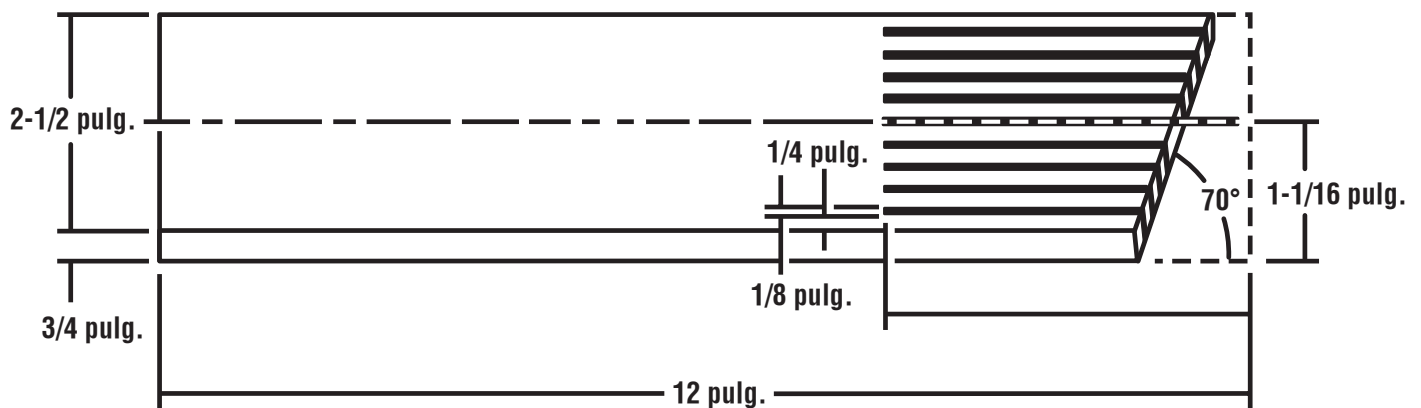
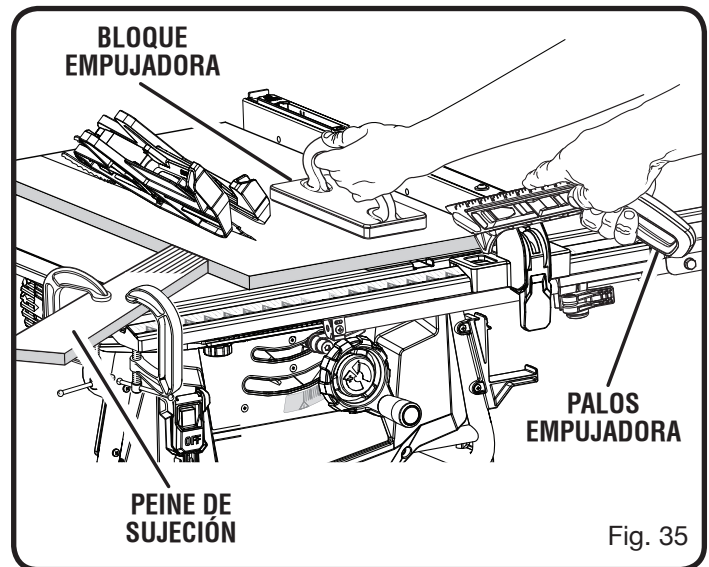
FORMA DE MONTAR UN PEINE DE SUJECIÓN

Vea la figura 35.

Baje completamente la hoja de la sierra. Coloque la guía de corte al hilo a la distancia requerida según requiera el corte deseado y asegúrela. Coloque la pieza de trabajo contra la guía, en el área de la hoja de corte. Ajuste el peine de sujeción para aplicar resistencia a la pieza de trabajo justo hacia adelante de la hoja. Coloque una prensas de mano para asegurar aún más el peine de sujeción al borde de la mesa de la sierra.

⚠ ADVERTENCIA:

El peine de sujeción debe ser instalado delante de la hoja. **No** coloque el peine de sujeción en la parte posterior de la hoja. Si se coloca inadecuadamente, puede producirse un contragolpe al apretar el peine de sujeción la pieza de trabajo y doblar la hoja en el corte efectuado por la sierra. La inobservancia de esta advertencia puede causar lesiones corporales serias.



FUNCIONAMIENTO

TIPOS DE CORTES

Vea la figura 36.

Existen seis cortes básicos: 1) el corte transversal, 2) el corte al hilo, 3) el corte a inglete, 4) el corte transversal en bisel, 5) el corte al hilo en bisel y 6) el corte a inglete combinado (en bisel). Todos los otros cortes son combinaciones de estos seis básicos. Los procedimientos de trabajo para hacer cada tipo de corte se dan más adelante en esta sección.

⚠ ADVERTENCIA:

Al efectuar estos cortes, siempre asegúrese de que la protección de la hoja y los trinquetes anticontraGolpe estén en su lugar y de que funcionan adecuadamente, para evitar posibles lesiones.

Los cortes transversales son cortes rectos a 90° hechos transversalmente a la fibra de la pieza de trabajo. La madera se avanza al corte a un ángulo de 90° de la hoja, y ésta está vertical.

Los cortes al hilo se efectúan en dirección paralela a la fibra de la madera. Para evitar un contraGolpe al efectuar un corte al hilo, asegúrese de que uno de los lados de la madera se desplace firmemente contra la guía de corte al hilo.

Los cortes a inglete se hacen con la madera a cualquier ángulo de la hoja diferente de 90°. La hoja está vertical. Los cortes a inglete tienden a “correrse” durante el corte. Esto se puede controlar sosteniendo firmemente la pieza de trabajo contra la guía de ingletes.

⚠ ADVERTENCIA:

Cuando se hace un corte sin traspaso, nunca madera de comida con las manos para prevenir manos de acercarse a la hoja. Siempre utilice un bloques empujadores, palos y empujadores, peine de sujeción para evitar posibles lesiones.

Los cortes en bisel se hacen con la hoja en ángulo. Los cortes en bisel transversales son a través de la fibra de la madera, y los cortes en bisel al hilo son paralelos a la fibra.

Los cortes a inglete combinados (con bisel) se hacen con la hoja en ángulo, en una tabla en ángulo con la hoja. Familiarícese totalmente con los cortes transversales, al hilo, en bisel y a inglete antes de intentar efectuar cortes a inglete combinados.

SUGERENCIAS PARA RECORTAR

Los cortes de ranurado y rebajado son cortes sin traspaso del espesor de la tabla, y pueden ser cortes al hilo o transversales. Lea cuidadosamente y comprenda todas las secciones de este manual del operador antes de intentar cualquier operación.

⚠ ADVERTENCIA:

No utilice hojas con una velocidad nominal inferior a la de esta herramienta. La falta de atención a esta advertencia podría causar lesiones corporales.

- El corte hecho por la hoja en la madera es más ancho que la hoja para evitar que ésta se sobrecaliente o se trabé. Al medir la madera considere la parte eliminada por el corte.

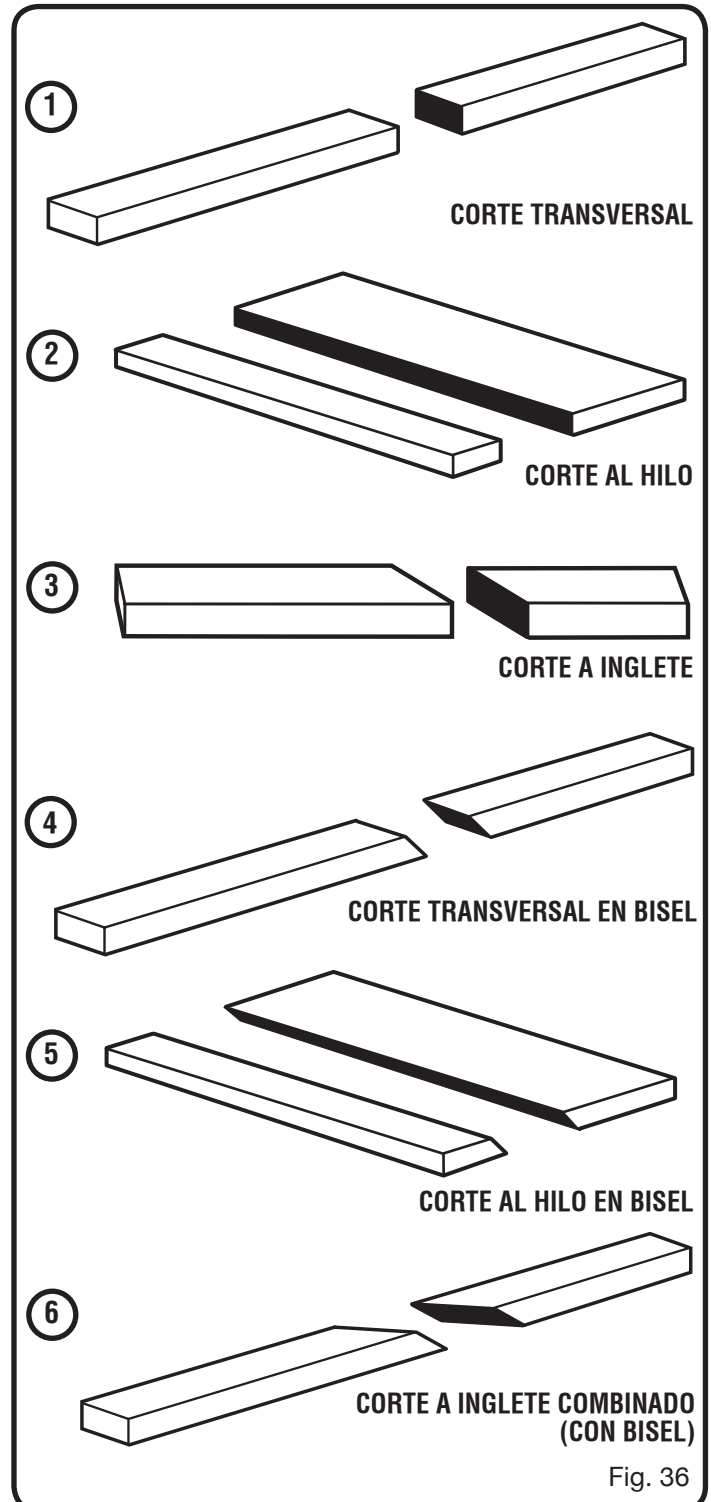


Fig. 36

- Asegúrese de que el corte se efectúe en el lado de desperdicio de la línea de medición.
- Corte la madera con el lado acabado hacia arriba.
- Desaloje todo nudo suelto con un martillo antes de efectuar el corte.
- Siempre proporcione un apoyo adecuado para la madera conforme sale de la sierra.

FUNCIONAMIENTO

PARA CAMBIAR LA PROFUNDIDAD DE LA HOJA

Veá las figuras 37 y 38.

Se debe ajustar la profundidad de la hoja de la sierra de manera que las puntas exteriores de la hoja queden más elevadas que la pieza de trabajo de 3,2 mm a 6,4 mm (1/8 pulg. a 1/4 pulg.) aproximadamente, pero los puntos más bajos (las gargantas) queden bajo la superficie superior.

- Empuje a la derecha la palanca de fijación de bisel.
- La hoja de corte se sube girando a la derecha el volante de ajuste de altura y bisel, y se baja girando éste a la izquierda.

PARA CAMBIAR EL ÁNGULO DE LA HOJA (BISEL)

Veá la figura 38.

Esta sierra de mesa dispone de un control de bisel de piñón y cremallera que permite efectuar cortes en ángulos de 90° a 45°.

NOTA: Un corte a 90° tiene un bisel de 0°, y un corte de 45° tiene un bisel de 45°.

- Desconecte la sierra.
- Afloje el control de bisel; para ello, gire completamente a la izquierda la palanca de fijación de bisel. Si es necesario aflojarla aún más, extraiga la palanca de fijación de bisel de resorte y gírela a la derecha. Suelte la palanca de fijación de bisel y permita que se asiente en su posición original. Gírela a la izquierda de nuevo hasta no aflojarla.
- Deslizando el manija de ajuste de la hoja el derecho al ángulo 45°.
- Apriete el control de biseles; para ello, gire a la derecha la palanca de fijación de bisel. Si es necesario apretarla aún más, extraiga la palanca de fijación de biseles de resorte y gírela a la izquierda. Después suelte la palanca de fijación de biseles y permita que regrese a su posición original. Gírela de nuevo a la derecha. Repita este proceso hasta dejar apretada firmemente la palanca de fijación de bisel.

PARA AJUSTAR EL INDICADOR DE BISEL

Veá la figura 39.

Si el indicador de bisel no está a cero cuando la hoja de la sierra está a 90°, ajuste el indicador; para ello, afloje el tornillo y póngalo a 0° en la escala de bisel. Vuelva a apretar el tornillo.

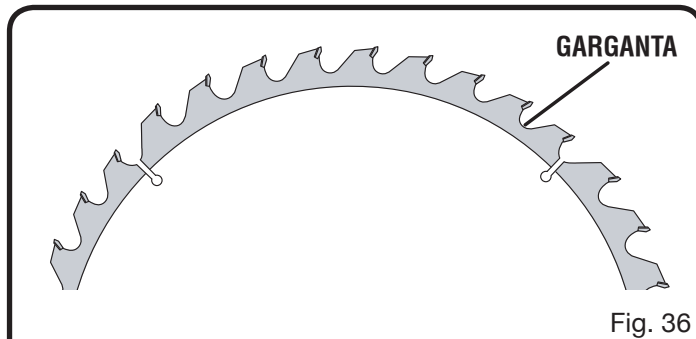


Fig. 36

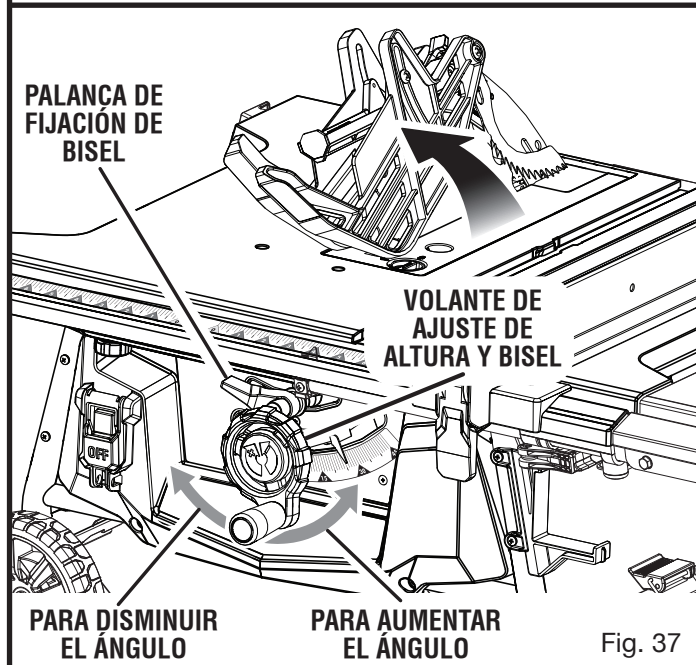


Fig. 37

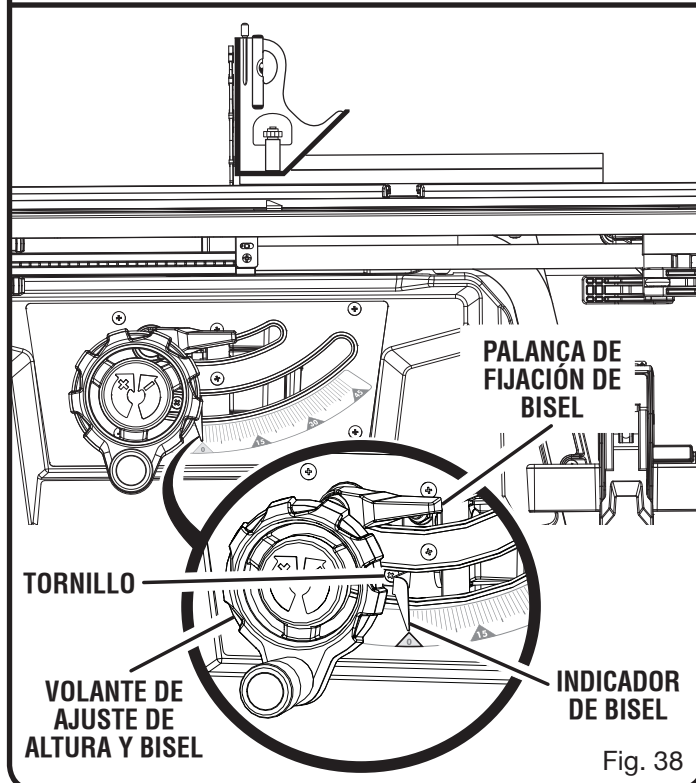


Fig. 38

FUNCIONAMIENTO

PARA USAR LA GUÍA DE CORTE AL HILO

Vea las figuras 40 y 41.

ADVERTENCIA:

Para reducir el riesgo de sufrir lesiones, siempre asegúrese de que la guía de corte al hilo esté paralela a la hoja, antes de iniciar cualquier operación.

NOTA: La guía de corte al hilo incluida con la sierra tiene una guía baja. La guía baja debe quedar orientada hacia fuera con respecto a la hoja cuando corte materiales de más de 19,05 mm (3/4 pulg.) de espesor. La guía baja debe estar orientada hacia la hoja cuando corte piezas de trabajo estrechas. **NUNCA** apoye el peso de la pieza de trabajo sobre la guía baja mientras realiza un corte.

- Afloje la guía de corte al hilo; para ello, levante la palanca de fijación.
- Coloque el reborde trasero en la parte posterior de la mesa de la sierra y tire de aquélla un poco hacia la parte delantera de la unidad.
- Baje el extremo delantero de la guía de corte al hilo hasta las superficies guía de la parte superior del riel delantero.
- Verifique que haya un movimiento deslizante suave.
- Coloque la guía de corte al hilo a la distancia deseada de la hoja.
- Con la guía de corte al hilo apoyada sobre la mesa de la sierra, empuje la guía hacia el riel delantero para alinear la guía con la hoja.
- Empuje hacia abajo la palanca de fijación para alinear y fijar la guía. Cuando está bloqueada firmemente, la palanca de fijación debe apuntar hacia abajo.

NOTA: Asegúrese de que la palanca de seguridad asegure la guía de corte al hilo en su lugar. Si es necesario realizar ajustes, vea el apartado **Verificación la tirantez del palanca de bloqueo de la guía de corte al hilo**, en la sección *Ajuste* de este manual.

NOTA: Si la guía de corte al hilo no está en posición paralela a la hoja, deberá realizar ajustes. Consulte: **Verificación del alineamiento de la guía de corte al hilo en relacion a la hoja** en la sección *Ajustes* de este manual.

PARA AJUSTAR A LA HOJA EL INDICADOR DE LA ESCALA DE LA GUÍA DE CORTE AL HILO

Vea la figura 42.

Use el indicador de la guía de corte al hilo para posicionar la guía sobre la escala en el riel delantero.

NOTA: Para poder efectuar este ajuste, debe retirarse los trinquetes anticontrgolpe y conjunto de protección. Una vez terminado el ajuste, vuelva a instalar el conjunto de protección de la hoja.

Comience con la hoja a un ángulo de cero grados (vertical).

- Desconecte la sierra.
- Afloje la guía de corte al hilo; para ello, levante la palanca de fijación.
- Con una escuadra de carpintero fije la guía de corte al hilo a 51 mm (2 pulg.) del borde de la punta de la hoja.
- Afloje el tornillo del indicador de escala y alinea con la 51 mm (2 pulg.) marca como mostrado.
- Apriete el tornillo y verifique la dimensión y la guía de corte al hilo.

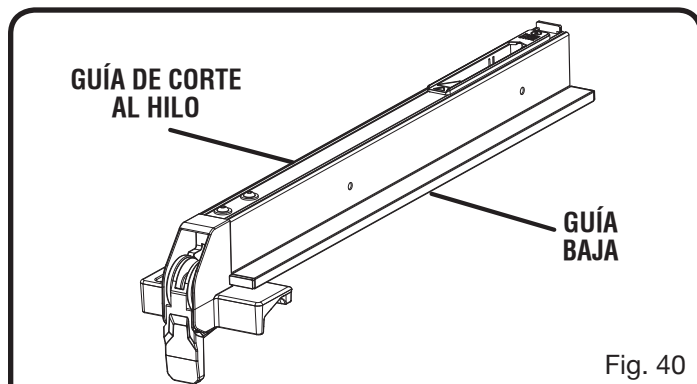


Fig. 40

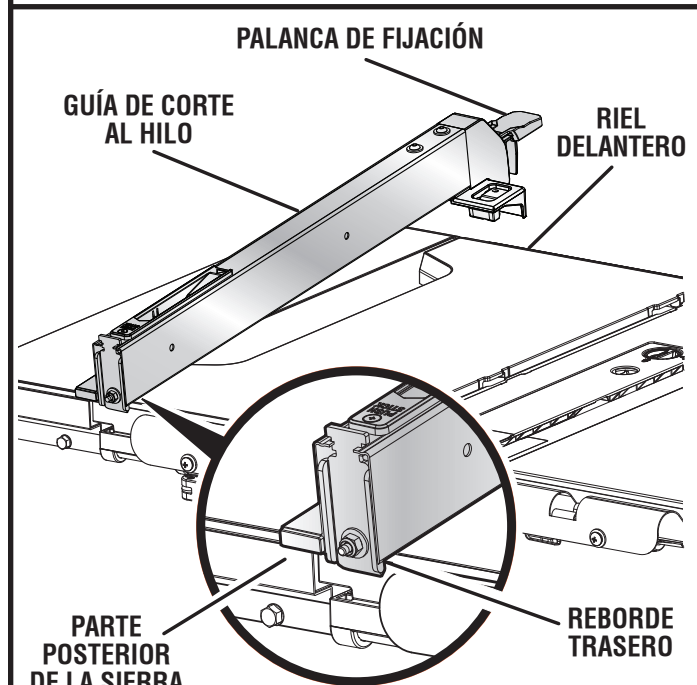


Fig. 41

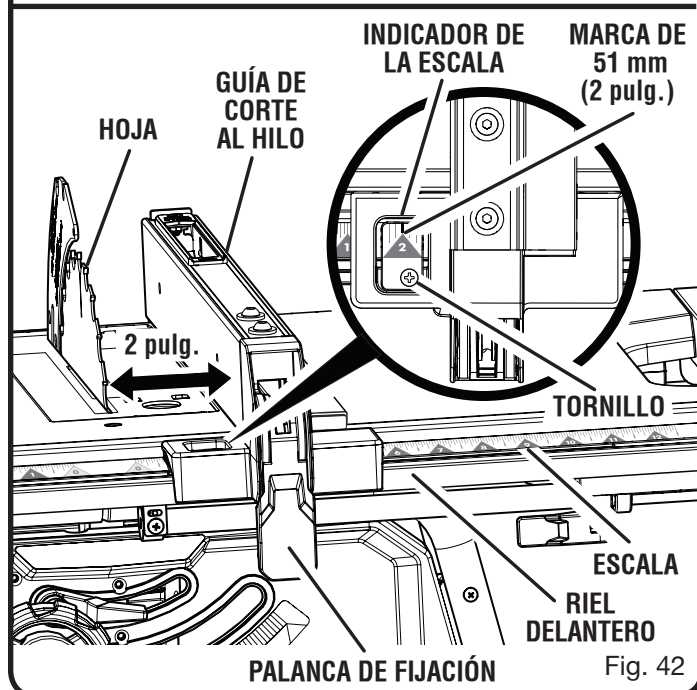


Fig. 42

FUNCIONAMIENTO

PARA USAR LAS EXTENSIONES DESLIZABLES DE LA MESA

Veá las figuras 43 y 44.

Aumente la longitud de la mesa de la sierra usando la extensión de la mesa.

- Coloque la guía de corte al hilo en 356 mm (14 pulg.).

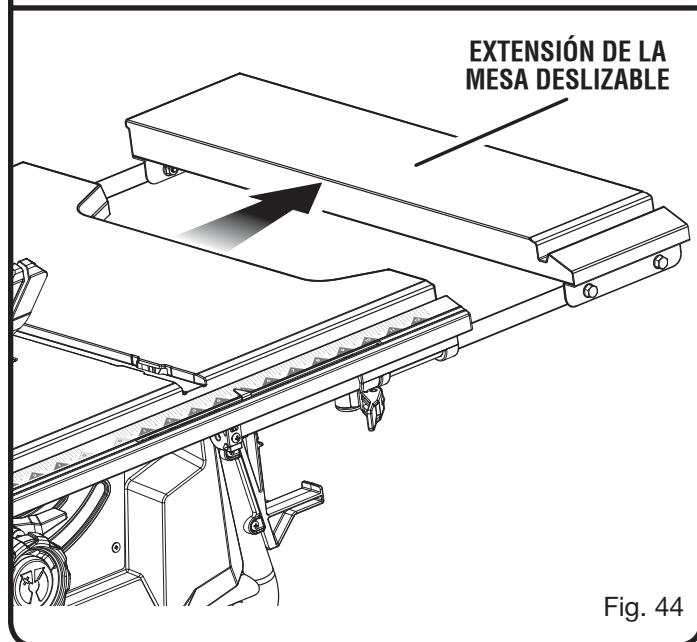
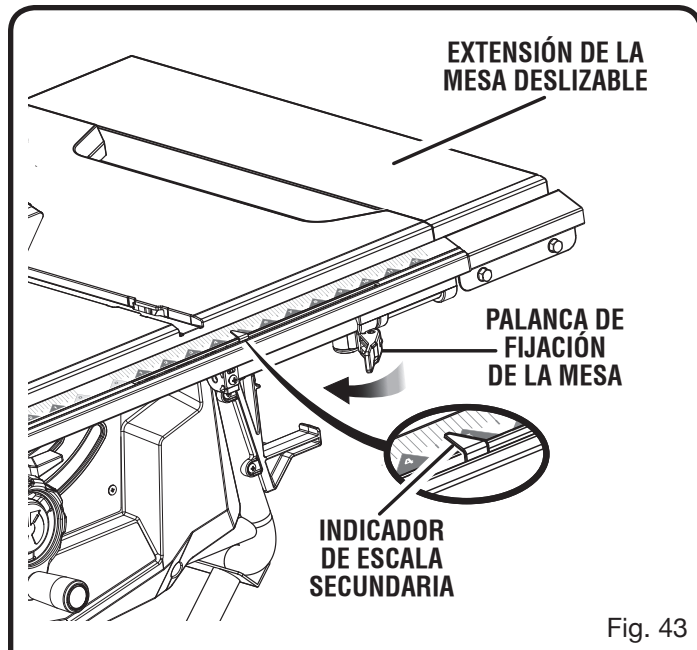
⚠ ADVERTENCIA:

La guía de corte debe bloquearse en la posición de 356 mm (14 pulg.) para garantizar la precisión de la medición de la escala secundaria y proporcionar un soporte adecuado para la pieza de trabajo al usar la mesa en posición extendida. Si no se coloca correctamente la guía de corte, se producirán mediciones imprecisas de la pieza de trabajo y podría dar lugar a lesiones personales graves.

- Tire de la palanca de fijación de la mesa delantera hacia usted para desasegurar la palanca. Repita el proceso con la palanca trasera.
- Ponga la extensión de la mesa al ancho deseado.

NOTA: Utilice la escala del riel delantero cuando se requiera un ancho específico.

- Una vez fijadas las extensiones de la mesa deslizables al ancho deseado, vuelva a asegurar ambas palancas de fijación, la izquierda y la derecha; para ello, empuje de nuevo cada palanca hacia la base de la sierra.



FUNCIONAMIENTO

PARA USAR LA GUÍA DE INGLETES

Vea la figura 45.

La guía de ingletes brinda una gran precisión en los cortes en ángulo. Para efectuar cortes con tolerancias muy estrechas se recomienda efectuar cortes de prueba.

El calibrador de ingletes puede girarse 60° a la derecha o izquierda.

- Afloje la perilla de fijación.
- Con el calibrador de ingletes puesto en la ranura correspondiente, gírelo hasta llegar al ángulo deseado en la escala.
- Vuelva a apretar la perilla de fijación.

AJUSTE DE LA HOJA PARALELA A LA RANURA DEL CALIBRE DE INGLETE (REMOCIÓN DEL TALÓN)

Vea las figuras 46 a 48.



ADVERTENCIA:

La hoja debe estar paralela a la ranura del calibre de inglete para que la pieza de trabajo no se atasque, lo que generaría un rebote. La inobservancia de esta advertencia puede causar lesiones serias.

No afloje ningún perno para este ajuste hasta que haya revisado con una regla y haya efectuado cortes de prueba para asegurarse de que son necesarios los ajustes. Una vez aflojados los tornillos, deben reajustarse estos elementos.

- Desconecte la sierra.
- Retirar la protección de la hoja, el cuchilla separadora y trinquetes anticontraGolpe. Eleve lo más posible la hoja con un giro de la volante de ajuste de altura y bisel.

NOTA: Para obtener detalles sobre cómo retirar y volver a colocar la cuchilla separadora, consulte **Cómo limpiar las placas de la palanca de bloqueo de la cuchilla separadora** en la sección **Mantenimiento** de este manual.

- Marque un lado de uno de los dientes de la parte frontal de la hoja. Con una regla, mida la distancia desde la cara interna del diente de la hoja al borde izquierdo de la ranura derecha del calibre de inglete.

NOTA: Para una mayor precisión, coloque el diente marcado de la hoja sobre la regla.

- Gire la hoja de manera que el diente marcado quede atrás.
- Mueva la regla a la parte posterior y mida nuevamente la distancia desde la cara interna del diente de la hoja al borde izquierdo de la ranura derecha del calibre de inglete. Si ambas distancias son iguales, significa que la hoja y la ranura de la guía de ingletes están paralelas.
- Vuelva a colocar el protección de la hoja y cuchilla separadora.

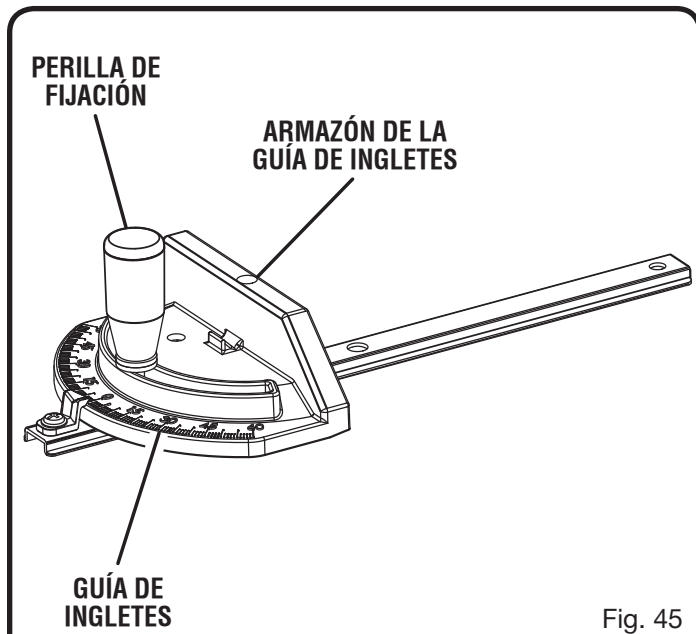


Fig. 45

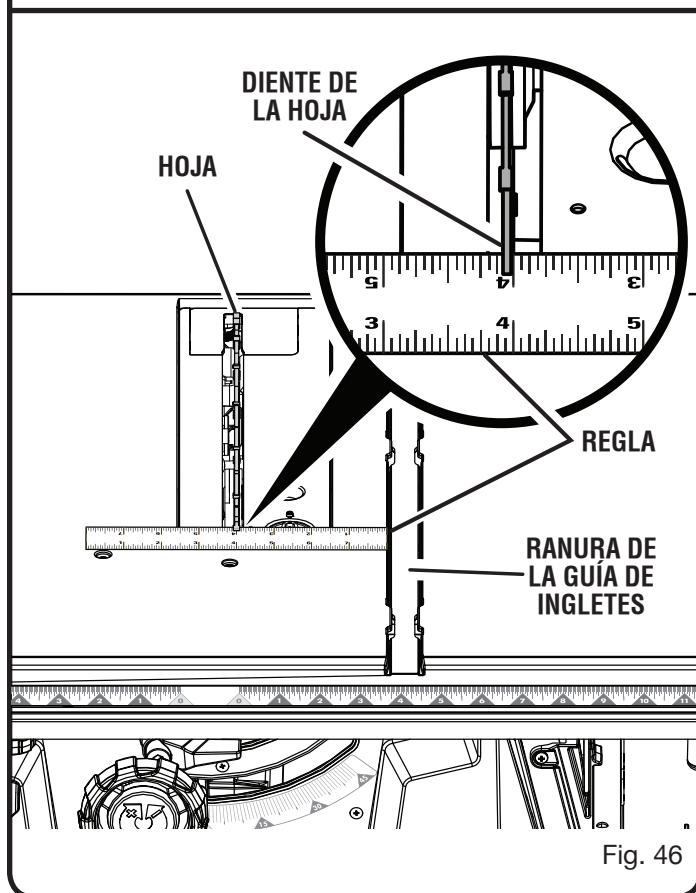


Fig. 46

FUNCIONAMIENTO

Si ambas distancias medidas son diferentes:

- Retirar la protección de la hoja, el cuchilla separadora y trinquetes anticontraGolpe. Eleve lo más posible la hoja con un giro de la volante de ajuste de altura y bisel.
- Afloje los pernos de seguridad girándolos hacia la izquierda.
NOTA: Los pernos están ubicados sobre la rueda de ajuste de altura/bisel y debajo de la mesa de la sierra en la parte delantera de la sierra.
- Gire el perno hacia la derecha o izquierda hasta que la hoja quede asegurada.
- Ajuste los pernos de seguridad. Revise de nuevo para ver si está a escuadra y efectúe los ajustes necesarios.



ADVERTENCIA:

Para reducir el riesgo de lesiones por un contraGolpe, alinee la guía de corte al hilo con la hoja en seguida de los ajustes de ésta. Siempre asegúrese de que la guía de corte al hilo esté paralela a la hoja antes de iniciar cualquier operación.

FORMA DE EFECTUAR CORTES



ADVERTENCIA:

Antes de realizar cortes, asegúrese de que el pedestal de la sierra de mesa esté en una superficie firme y nivelada donde haya mucho espacio para manipular y sostener la sierra de mesa y la pieza de trabajo. Si no encuentra una ubicación adecuada, no use la sierra. Si usa la sierra en una ubicación sin el espacio adecuado e inestable, la sierra podría caerse y causar lesiones personales graves.

Su sierra de mesa puede realizar una variedad de cortes que no es mencionado todo en este manual. NO procure hacer ningún corte no cubrió aquí a menos que usted esté completamente familiarizado con los procedimientos apropiados y accesorios necesarios. Su biblioteca local tiene muchos libros en la mesa vieron uso y procedimientos especializados de carpintería para su referencia.

La hoja suministrada con la sierra es una hoja combinada de alta calidad adecuada para operaciones de corte al hilo y transversal. Verifique cuidadosamente todos los ajustes y gire la hoja una vuelta completa para asegurarse de que haya espacio libre adecuado antes de conectar la sierra al suministro de corriente. Párese un trayectoria de la hoja para reducir la posibilidad de lesiones si ocurre un contraGolpe.



ADVERTENCIA:

No utilice hojas con una velocidad nominal inferior a la de esta herramienta. La inobservancia de esta advertencia podría causar lesiones corporales.

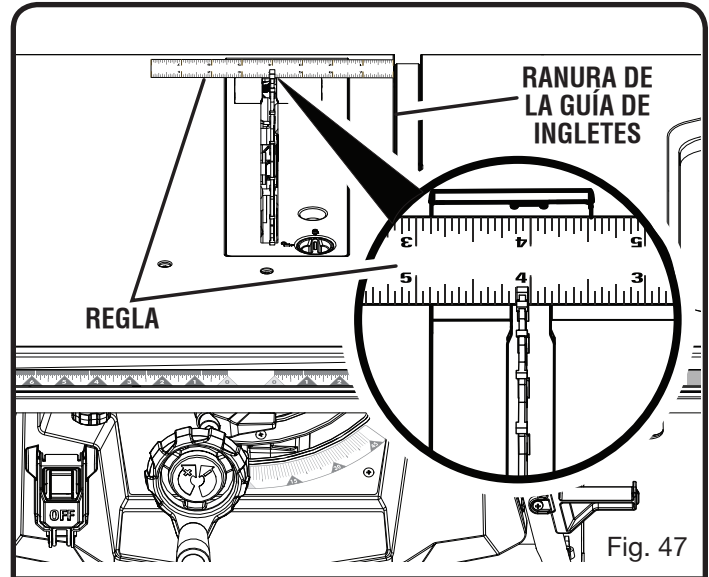


Fig. 47

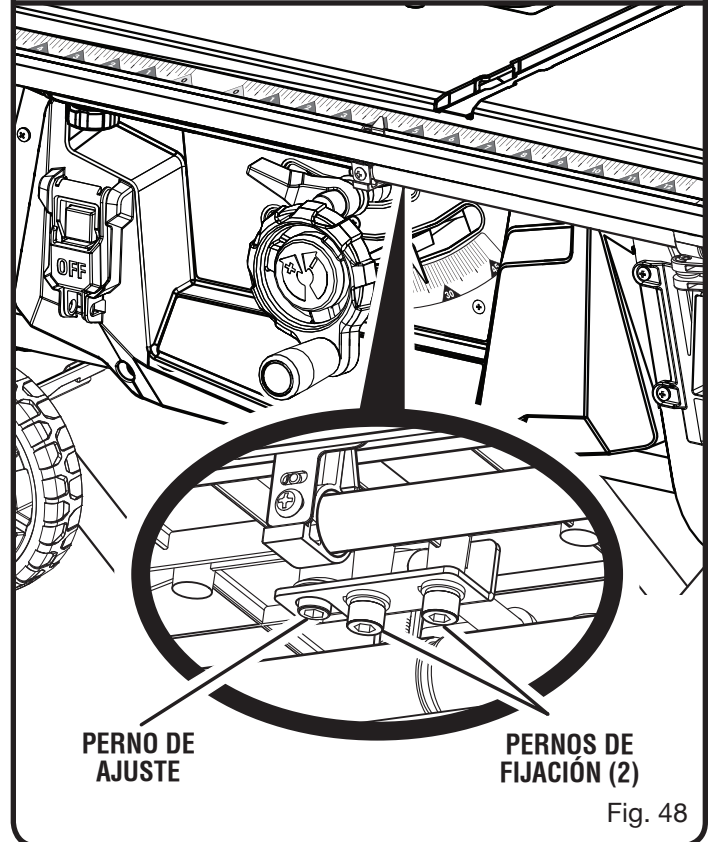


Fig. 48

Utilice la guía de ingletes cuando efectúe cortes trans-versales, a inglete, en bisel y a inglete combinados. Para fijar el ángulo, deje bloqueada la guía de ingletes en su lugar girando la perilla de bloqueo hacia la derecha. Siempre apriete firmemente en su lugar la perilla de bloqueo antes de utilizar la unidad.

Durante el uso, el medidor de inglete puede moverse ligeramente hacia la izquierda o hacia la derecha dentro de la ranura del medidor de inglete. Para lograr mayor precisión, presione el medidor de inglete contra el borde izquierdo o derecho de la ranura del medidor de inglete al realizar cortes. No permita que el medidor se mueva de un lado al otro.

FUNCIONAMIENTO

Coloque siempre la pieza de trabajo contra la cara del cuerpo del medidor de inglete al realizar cortes. Para evitar que la pieza de trabajo se mueva, puede colocar un pedazo de papel de lija en la cara del cuerpo del medidor de inglete.

NOTA: Se recomienda colocar la pieza que se va a conservar en el mismo lado de la hoja y efectuar primero un corte de prueba en madera de desecho.

PARA EFECTUAR CORTES TRANSVERSALES

Vea las figuras 49 - 51.

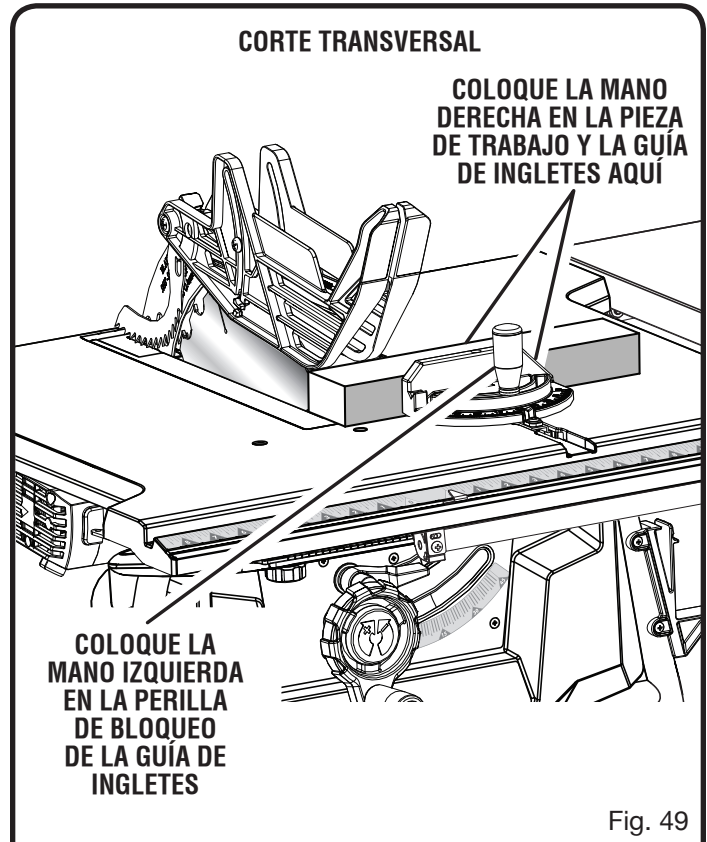
ADVERTENCIA:

Asegúrese de que esté instalado y funcione adecuadamente el conjunto de protección de la hoja, para evitar posibles lesiones graves.

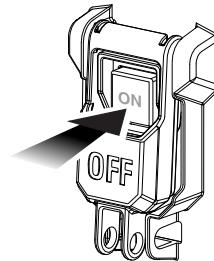
ADVERTENCIA:

El uso de la guía de corte al hilo como guía tope al efectuar cortes transversales produce un contragolpe que puede causar lesiones corporales graves.

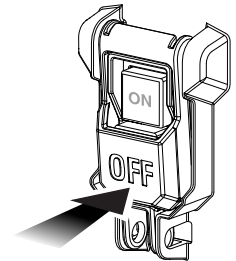
- Desmunte la guía de corte al hilo.
- Ajuste la hoja a la profundidad correcta para la pieza de trabajo.
- Fije la guía de ingletes a 0° y apriete la perilla de fijación.
- Asegúrese de que la pieza de trabajo está lejos de la hoja antes de encender la sierra.
- Presione el botón superior del interruptor para encender la sierra.
NOTA: No es necesario que levante la cubierta del interruptor para operarlo.
- Presione el botón inferior del interruptor para apagar la sierra.
NOTA: Para evitar el uso no autorizado de la sierra, coloque un candado (no incluido) en los orificios del interruptor y la cubierta, como se muestra en la figura 50.
- Permita que la hoja alcance la velocidad plena antes de mover la pieza de trabajo hacia la hoja.
- Sostenga firmemente la pieza de trabajo con ambas manos en la guía de ingletes y alimente la pieza a la hoja de corte.
NOTA: La mano más cercana a la hoja debe colocarse en la perilla de bloqueo de la guía de ingletes y la mano más alejada debe colocarse en la pieza de trabajo.
- Cuando termine el corte, apague la sierra. Espere a que la hoja se detenga por completo antes de retirar la pieza de trabajo.



INTERRUPTOR EN POSICIÓN DE ENCENDIDO



INTERRUPTOR EN POSICIÓN DE APAGADO



INTERRUPTOR EN POSICIÓN ASEGUARADA

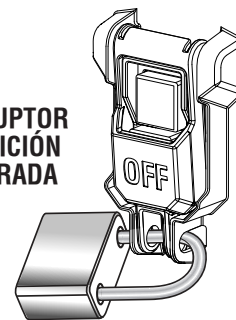


Fig. 50

FUNCIONAMIENTO

Para realizar cortes transversales repetitivos, siga estos pasos:

Se puede usar un bloque de detención como indicador de corte para realizar cortes transversales repetitivos de la misma longitud sin tener que marcar la pieza de trabajo para hacer cada corte. El extremo del bloque de detención debe estar siempre delante de la hoja. **NUNCA** use la guía de corte al hilo como un indicador de corte.

- Retire la guía de corte al hilo.
- Establezca la hoja en la profundidad correcta para la pieza de trabajo.
- Coloque el medidor de inglete en 0° y ajuste la perilla de bloqueo.
- Coloque un bloque de madera de 76,20 mm (3 pulg.) que funcione como indicador de corte a la distancia deseada de la hoja.
- Asegure el bloque de detención en su lugar con una morsa o abrazadera.

ADVERTENCIA:

Cuando esté asegurado, el extremo del bloque de detención debe estar en frente de la hoja. Si asegura el bloque de detención más allá de la parte frontal de la hoja, podría originarse un contragolpe y causar lesiones personales graves.

- Coloque la pieza de trabajo en el medidor de inglete con el borde plano contra el bloque de detención.
- Cuando corte una pieza de trabajo larga o ancha, coloque un soporte de la misma altura que la superficie de la mesa delante de la sierra, detrás de la sierra y a ambos lados de la sierra, según sea necesario.
- Encienda la sierra.
- Sostenga la pieza de trabajo firmemente con ambas manos en el medidor de inglete y empuje la pieza de trabajo hacia la hoja.

NOTA: La mano más cercana a la hoja debe colocarse en la perilla de bloqueo del medidor de inglete y la mano más alejada de la hoja debe colocarse en la pieza de trabajo.

- Cuando termine de realizar el corte, apague la sierra. Espere a que la hoja se detenga por completo antes de retirar la pieza cortada.
- Vuelva a colocar el medidor de inglete delante de la sierra y ubique la pieza de trabajo para realizar el siguiente corte.
- Después de realizar el último corte, apague la sierra. Espere a que la hoja se detenga por completo y retire el bloque de detención.

CÓMO EFECTUAR CORTES AL HILO

Vea las figuras 52 y 53.

ADVERTENCIA:

Asegúrese de que esté instalado y funcione adecuadamente el conjunto de protección de la hoja para evitar posibles lesiones graves.

CORTE TRANSVERSAL REPETITIVO

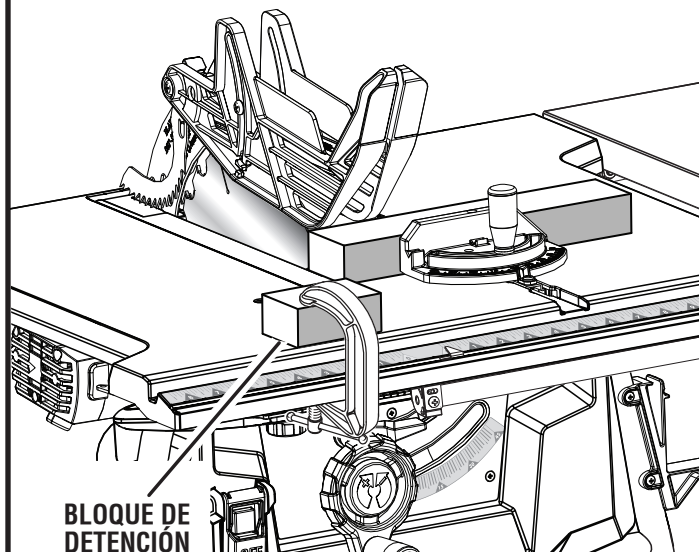


Fig. 51

CORTE AL HILO

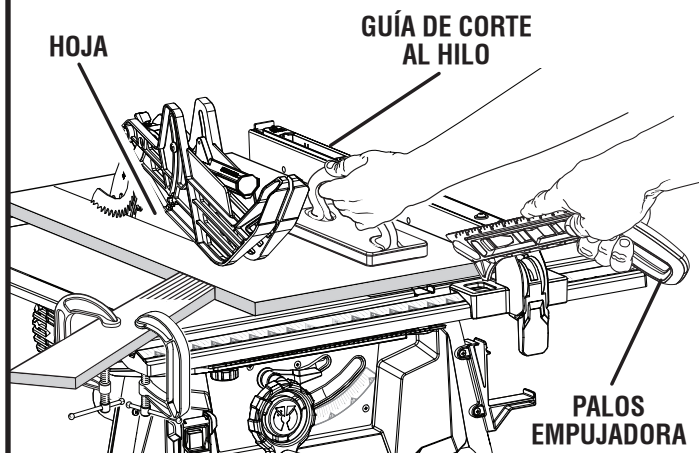


Fig. 52

ADVERTENCIA:

Los cortes de cónico sólo deben ser hechos con una vaivén especial, que está disponible comercialmente. No procure corte de cónico de a pulso en esta sierra. La inobservancia las instrucciones abajo puede causar lesiones corporales graves.

- Ajuste la hoja a la profundidad correcta para la pieza de trabajo.
- Coloque la guía de corte al hilo a la distancia deseada de la hoja para el corte y asegure firmemente la manija.

NOTA: No coloque la guía de corte al hilo en el lado izquierdo de la hoja al cortar materiales de más de 19,05 mm (3/4 pulg.) de espesor. Las piezas de trabajo de más de 19,05 mm (3/4 pulg.) de ancho pueden ser inestables y requerir mayor sujeción para asegurar la estabilidad durante el corte.

FUNCIONAMIENTO

- Cuando corte una pieza de trabajo larga o ancha, coloque un soporte de la misma altura que la superficie de la mesa delante de la sierra, detrás de la sierra y a ambos lados de la sierra, según sea necesario.
- Al cortar una pieza de trabajo larga, coloque un soporte de la misma altura que la superficie de la mesa detrás de la sierra (y en los lados según sea necesario) para el trabajo de corte.
- Instale el peine de sujeción en la posición adecuada para el corte que se hizo.
- Asegúrese de que la pieza de trabajo está lejos de la hoja antes de encender la sierra.
- Coloque el interruptor de corriente en la posición de encendido.
- Coloque la pieza de trabajo plana sobre la mesa con la orilla pegada contra la guía de corte al hilo. Permita que la hoja alcance la velocidad plena antes de avanzar la pieza de trabajo hacia la hoja.
- Con una estaca empujadora y/o planchas empujadoras avance lentamente la pieza de trabajo hacia la hoja. Párese a un lado de la pieza de trabajo conforme toca la hoja para reducir la posibilidad de lesiones si ocurre un contragolpe.
- Una vez que la hoja toque la pieza de trabajo, utilice la mano más cercana a la guía de corte al hilo para guiarla. Asegúrese de que la orilla de la pieza de trabajo permanezca en contacto sólido tanto con la guía de corte al hilo como con la superficie de la mesa. Si desea cortar una pieza de trabajo angosta, use un palo de empuje, bloques de empuje o una plantilla de corte angosta para mover la pieza por la línea de corte y atravesar la hoja.
- Cuando termine el corte, apague la sierra. Espere a que la hoja se detenga por completo antes de retirar la pieza de trabajo.

Para hacer cortes al hilo de menos de 50,80 mm (2 pulg.) de ancho:

Si no se utiliza una plantilla de corte al hilo estrecho, la guía de corte al hilo incluida con la sierra tiene una guía baja que permite operaciones de corte al hilo estrecho.

ADVERTENCIA:

Cuando realice cortes al hilo estrechos, asegúrese siempre de que la pieza que desea cortar no pueda caer dentro de la placa de la garganta de la sierra. Si la pieza cae dentro de la placa de la garganta, podría dañar la protección debajo de la mesa, lo cual sería peligroso para el operador.

- Desbloquee la guía de corte al hilo y colóquela en el lado izquierdo de la mesa.

NOTA: La guía de corte al hilo incluida con la sierra tiene una guía baja. La guía baja debe quedar orientada hacia fuera con respecto a la hoja cuando corte materiales de más de 19,05 mm (3/4 pulg.) de espesor. La guía baja debe estar orientada hacia la hoja cuando corte piezas de trabajo estrechas.

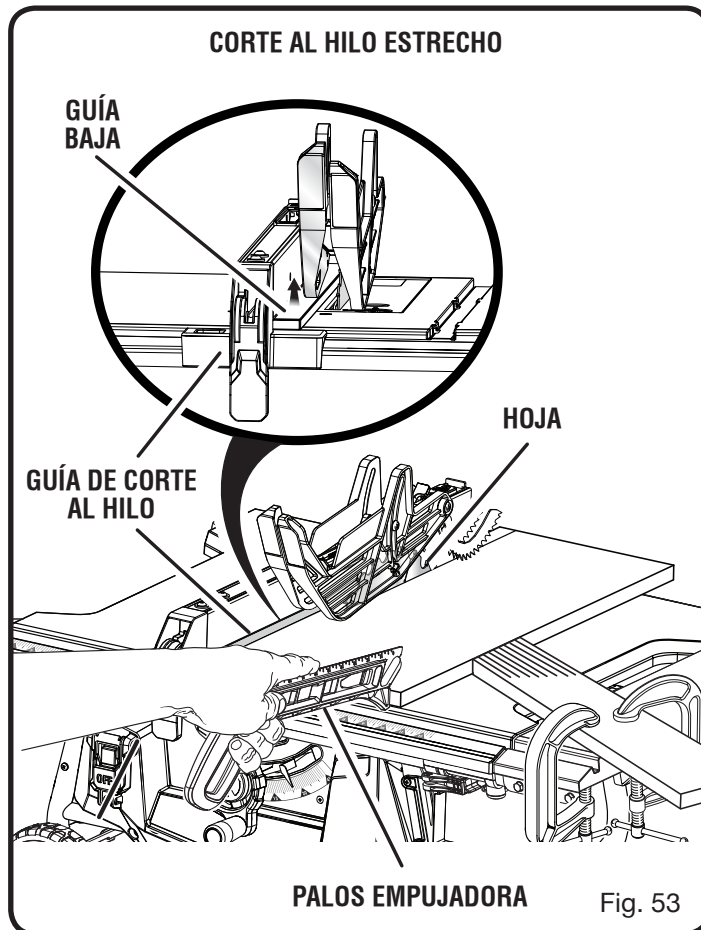
- Levante la barrera del lateral izquierdo de la protección de la hoja y bájela sobre la pieza de trabajo o la guía de corte al hilo

estrecho para asegurar la cobertura de la zona de corte durante esta operación.

- Asegure la guía de corte al hilo.
- Apoye la pieza de trabajo sobre la mesa con el borde nivelado contra la guía baja.
- Con un bloque o palo empujador, haga el corte al hilo; consulte **Cómo efectuar cortes al hilo** anteriormente en esta sección.

NOTA: Esta técnica sirve para hacer cortes al hilo estrechos en piezas de trabajo de 19,05 mm (3/4 pulg.) de espesor o menos. Para hacer cortes al hilo estrechos en materiales más gruesos, use una plantilla de corte al hilo estrecho; consulte **Cómo Hacer una vaivén (para el corte al hilo pieza de trabajo)** anteriormente en esta sección.

NOTA: La operación de corte ilustrada en la figura 53 hará que la pieza guardada se encuentre entre la guía de corte al hilo y el lado izquierdo de la hoja. También puede colocar la guía de corte al hilo y la parte ancha de la pieza de trabajo en el lado izquierdo de la hoja, lo que haría que la pieza guardada esté a la derecha.



FUNCIONAMIENTO

CÓMO EFECTUAR CORTES A INGLETE

Ve a la figura 54.

ADVERTENCIA:

Asegúrese de que esté instalado y funcione adecuadamente el conjunto de protección de la hoja para evitar posibles lesiones graves.

- Desmonte la guía de corte al hilo.
- Ajuste la hoja a la profundidad correcta para la pieza de trabajo.
- Coloque la guía de ingletes al ángulo deseado y apriete la perilla de la mordaza de ajuste.
- Asegúrese de que la pieza de trabajo está lejos de la hoja antes de encender la sierra.
- Coloque el interruptor de corriente en la posición de encendido.
- Permita que la hoja alcance la velocidad plena antes de mover la pieza de trabajo hacia la hoja.
- Sostenga firmemente la pieza de trabajo con ambas manos en la guía de ingletes y alimente la pieza a la hoja de corte.

NOTA: La mano más cercana a la hoja debe colocarse en la perilla de bloqueo de la guía de ingletes y la mano más alejada debe colocarse en la pieza de trabajo.

- Cuando termine el corte, apague la sierra. Espere a que la hoja se detenga por completo antes de retirar la pieza de trabajo.

CÓMO EFECTUAR CORTES TRANSVERSALES EN BISEL

Ve a las figuras 55 y 56.

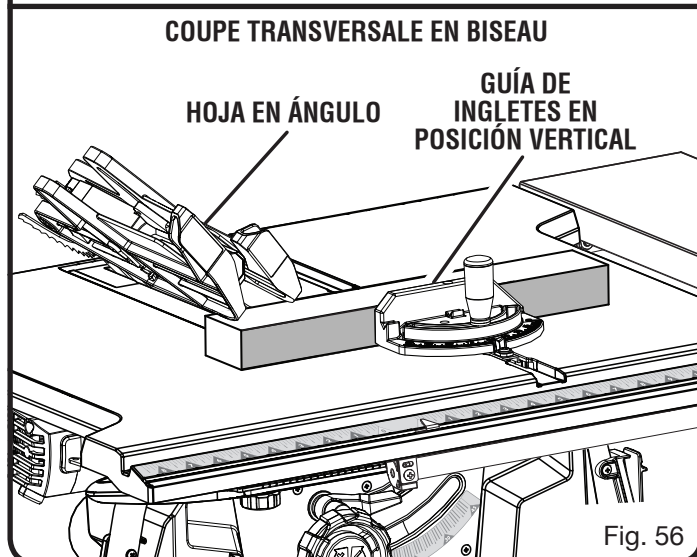
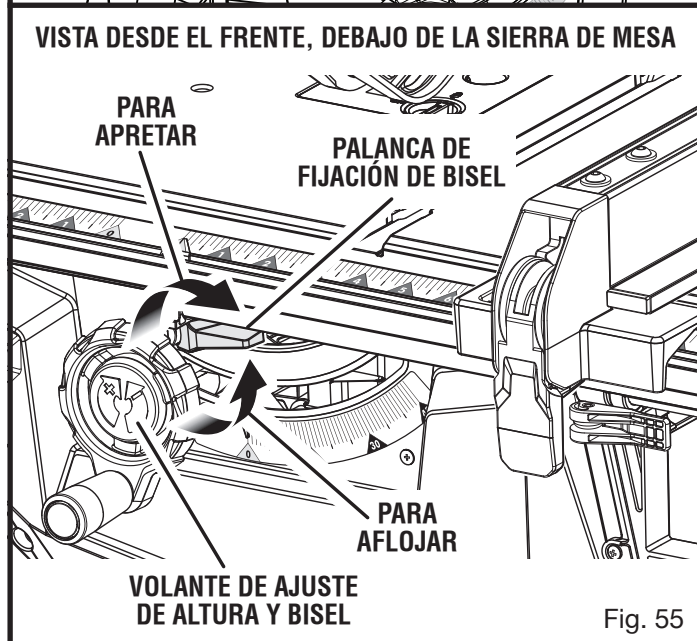
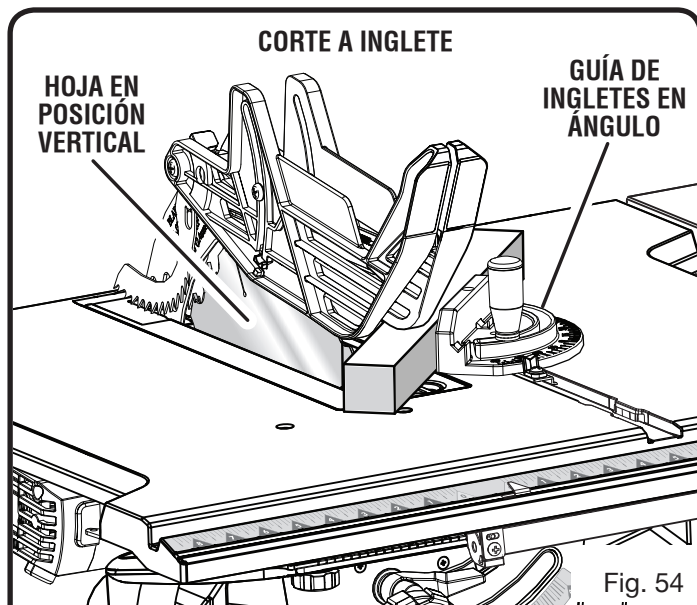
ADVERTENCIA:

Asegúrese de que esté instalado y funcione adecuadamente el conjunto de protección de la hoja para evitar posibles lesiones graves.

- Desmonte la guía de corte al hilo.
- Afloje la palanca de fijación de bisel.
- Ajuste el ángulo de bisel según desee.
- Enganche la palanca de fijación de bisel.
- Ajuste la hoja a la profundidad correcta para la pieza de trabajo.
- Fije la guía de ingletes a 0° y apriete la perilla de la mordaza de ajuste.
- Asegúrese de que la pieza de trabajo está lejos de la hoja antes de encender la sierra.
- Coloque el interruptor de corriente en la posición de encendido.
- Permita que la hoja alcance la velocidad plena antes de mover la pieza de trabajo hacia la hoja.
- Sostenga firmemente la pieza de trabajo con ambas manos en la guía de ingletes y alimente la pieza a la hoja de corte.

NOTA: La mano más cercana a la hoja debe colocarse en la perilla de bloqueo de la guía de ingletes y la mano más alejada debe colocarse en la pieza de trabajo.

- Cuando termine el corte, apague la sierra. Espere a que la hoja se detenga por completo antes de retirar la pieza de trabajo.



FUNCIONAMIENTO

CÓMO EFECTUAR CORTES AL HILO EN BISEL

Vea la figura 57.

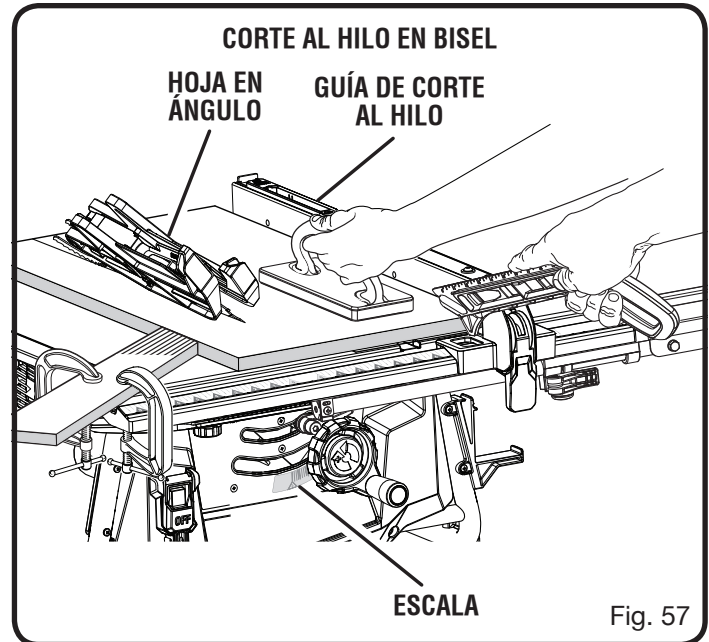
⚠ ADVERTENCIA:

Asegúrese de que esté instalado y funcione adecuadamente el conjunto de protección de la hoja para evitar lesiones graves.

⚠ ADVERTENCIA:

La guía de corte al hilo debe estar del lado derecho de la hoja para evitar atrapar la madera y causar un contragolpe. La colocación de la guía de corte al hilo a la izquierda de la hoja produciría un contragolpe y el consiguiente riesgo de lesiones corporales graves.

- Retire la guía de ingletes.
- Instalar de peine de sujeción en la posición adecuada para el corte que se hizo.
- Afloje la palanca de fijación de bisel.
- Ajuste el ángulo de bisel según desee.
- Enganche la palanca de fijación de bisel.
- Ajuste la hoja a la profundidad correcta.
- Coloque la guía de corte al hilo a la distancia deseada de la hoja para el corte y asegure firmemente la manija.
- Asegúrese de que la pieza de trabajo está lejos de la hoja antes de encender la sierra.
- Cuando corte una pieza de trabajo larga o ancha, coloque un soporte de la misma altura que la superficie de la mesa delante de la sierra, detrás de la sierra y a ambos lados de la sierra, según sea necesario.
- Coloque el interruptor de corriente en la posición de encendido.
- Coloque la pieza de trabajo plana sobre la mesa con la orilla pegada contra la guía de corte al hilo. Permita que la hoja alcance la velocidad plena antes de avanzar la pieza de trabajo hacia la hoja.



- Con una estaca empujadora y/o planchas empujadoras avance lentamente la pieza de trabajo hacia la hoja. Párese a un lado de la madera conforme toca la hoja para reducir la posibilidad de lesiones si ocurre un contragolpe.
- Una vez que la hoja toque la pieza de trabajo, utilice la mano más cercana a la guía de corte al hilo para guiarla. Asegúrese de que la orilla de la pieza de trabajo permanezca en contacto sólido tanto con la guía de corte al hilo como con la superficie de la mesa. Si corta al hilo una pieza angosta, utilice una palas empujadora y/o bloque empujador para mover la pieza durante el corte a través de la hoja.
- Cuando termine el corte, apague la sierra. Espere a que la hoja se detenga por completo antes de retirar la pieza de trabajo.

FUNCIONAMIENTO

CÓMO EFECTUAR CORTES A INGLETE COMBINADOS (EN BISEL)

Vea la figura 58.

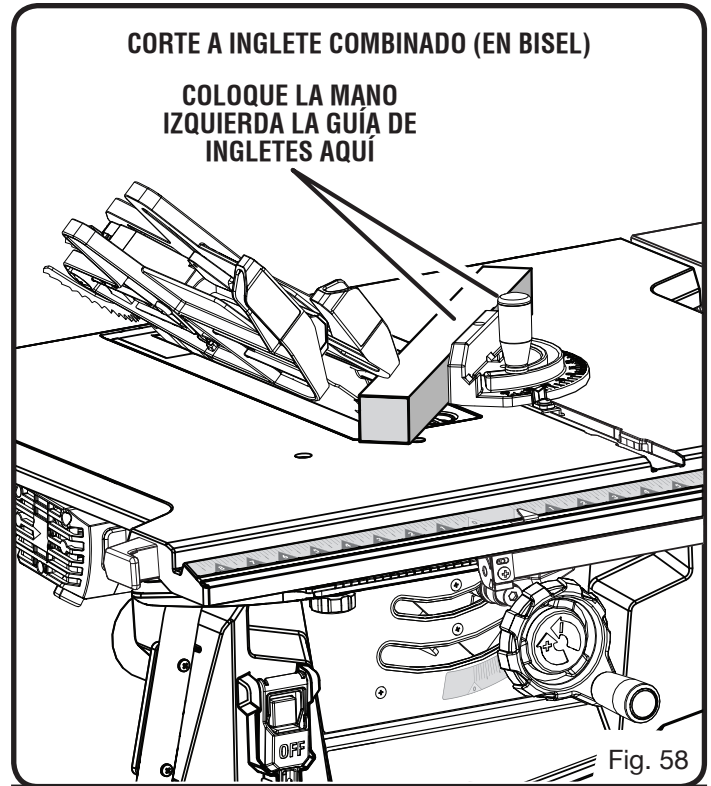
⚠ ADVERTENCIA:

Asegúrese de que esté instalado y funcione adecuadamente el conjunto de protección de la hoja para evitar posibles lesiones graves.

- Desmonte la guía de corte al hilo.
- Afloje la palanca de fijación de bisel.
- Ajuste el ángulo de bisel según desee.
- Enganche la palanca de fijación de bisel.
- Ajuste la hoja a la profundidad correcta para la pieza de trabajo.
- Coloque la guía de ingletes al ángulo deseado y apriete la perilla de fijación.
- Asegúrese de que la pieza de trabajo está lejos de la hoja antes de encender la sierra.
- Coloque el interruptor de corriente en la posición de encendido.
- Permita que la hoja alcance la velocidad plena antes de mover la pieza de trabajo hacia la hoja.
- Sostenga firmemente la pieza de trabajo con ambas manos en la guía de ingletes y alimente la pieza a la hoja de corte.

NOTA: La mano más cercana a la hoja debe colocarse en la perilla de la mordaza de ajuste y la mano más alejada debe colocarse en la pieza de trabajo.

- Cuando termine el corte, apague la sierra. Espere a que la hoja se detenga por completo antes de retirar la pieza de trabajo.



FUNCIONAMIENTO

CÓMO CORTAR UN PANEL GRANDE

Vea la figura 59.

Asegúrese de que la sierra esté debidamente asegurada a una superficie de trabajo para evitar cualquier volcamiento producido por un panel grande.

⚠ ADVERTENCIA:

Asegúrese de que esté instalado y funcione adecuadamente el conjunto de protección de la hoja para evitar posibles lesiones graves.

⚠ ADVERTENCIA:

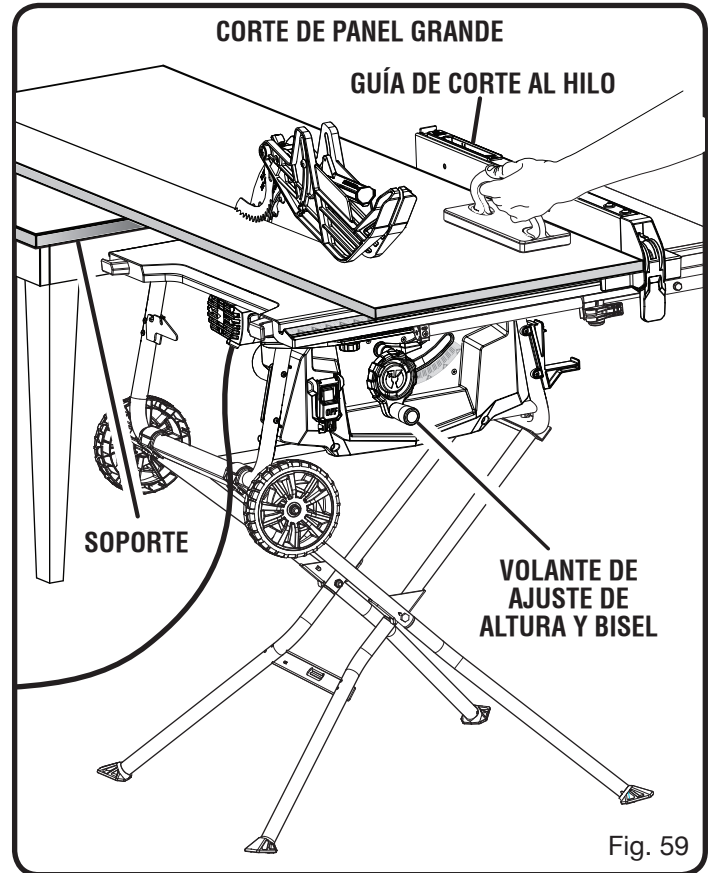
Nunca efectúes cortes a pulso (cortes sin ninguna de las guías). A pulsopieza de trabajo puede producir lesiones graves.

- Instalar de peine de sujeción en la posición adecuada para el corte que se hizo.
- Cuando corte una pieza de trabajo larga o ancha, coloque un soporte de la misma altura que la superficie de la mesa delante de la sierra, detrás de la sierra y a ambos lados de la sierra, según sea necesario.

⚠ ADVERTENCIA:

El soporte inadecuado de la pieza de trabajo en el lateral o el lado de salida de la sierra podría ocasionar el movimiento inesperado de la pieza o la sierra, lo que podría, a su vez, resultar en lesiones personales graves.

- Según sea la forma del panel, utilice la guía de corte al hilo o la guía de ingletes. Si el panel es demasiado grande para usar ya sea la guía de corte al hilo o la guía de ingletes, es demasiado grande para esta sierra.
- Asegúrese de que la pieza de trabajo no toque la hoja antes de encender la sierra.
- Coloque el interruptor de corriente en la posición de encendido.
- Coloque la pieza de trabajo plana sobre la mesa con la orilla pegada contra la guía de corte al hilo. Permita que la hoja alcance la velocidad plena antes de avanzar la pieza de trabajo hacia la hoja.



- Con una estaca empujadora y/o planchas empujadoras avance lentamente la pieza de trabajo hacia la hoja. Párese a un lado de la madera conforme toca la hoja para reducir la posibilidad de lesiones si ocurre un contragolpe.
- Una vez que la hoja toque la pieza de trabajo, utilice la mano más cercana a la guía de corte al hilo para guiarla. Asegúrese de que la orilla de la pieza de trabajo permanezca en contacto sólido tanto con la guía de corte al hilo como con la superficie de la mesa. Si corta al hilo una pieza angosta, utilice una palos empujadora y/o bloque empujador para mover la pieza durante el corte a través de la hoja.
- Cuando termine el corte, apague la sierra. Espere a que la hoja se detenga por completo antes de retirar la pieza de trabajo.

FUNCIONAMIENTO

CÓMO EFECTUAR UN CORTE SIN TRASPASO

Vea la figura 60.

Pueden efectuarse cortes sin traspaso (hizo con un estándar 10 pulg. hoja) del espesor de la pieza de trabajo paralelos a la fibra de la madera (corte al hilo) o transversales a la fibra (corte transversal). El corte sin traspaso del espesor de la pieza de trabajo es esencial para cortar ranuras, rebajos y mortajas. Este es el único tipo de corte que se efectúa sin el conjunto de protección de la hoja instalado. Asegúrese de reinstalar el conjunto de protección de la hoja al terminar este tipo de corte. Lea la sección correspondiente donde se describe el tipo de corte en cuestión, además de esta sección sobre cortes sin traspaso del espesor de la pieza de trabajo, o de ranuras. Por ejemplo, si corte sin traspaso de la pieza de trabajo es un corte transversal recto, antes de proseguir lea y comprenda la sección sobre cortes transversales rectos.

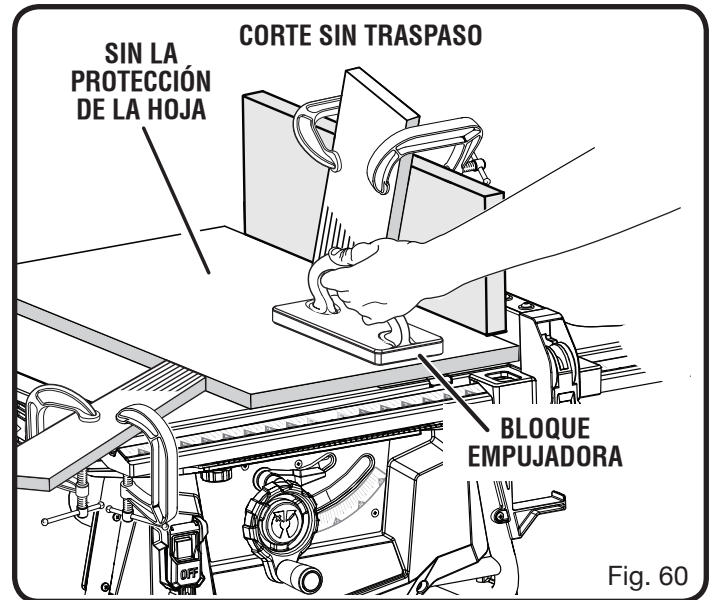
⚠ ADVERTENCIA:

Cuando se hace un corte sin traspaso del espesor de la pieza de trabajo, la hoja queda cubierta con la pieza de trabajo durante la mayor parte del corte. Para evitar el riesgo de lesiones, esté alerta de la hoja expuesta al principio y final de cada corte.

⚠ ADVERTENCIA:

Cuando haga cualquier corte sin traspaso del espesor de la pieza de trabajo, como rebajos y ranuras, nunca avance la madera con las manos. Para evitar lesiones, siempre utilice planchas y estacas empujadoras, así como peines de sujeción.

- Desconecte la sierra.
- Retirar el protección de la hoja.
- Coloque cuchilla separadora “abajo” en la posición.
- Afloje la palanca de fijación de bisel.
- Establezca el ángulo de bisel a 0°.
- Enganche la palanca de fijación de bisel.
- Ajuste la hoja a la altura correcta para la pieza de trabajo.
- Según sea la forma y el tamaño de la madera, utilice la guía de corte al hilo o la guía de ingletes.



- Conecte la sierra en el suministro de corriente y gire la sierra.
- Permita que la hoja alcance la velocidad plena antes de mover la pieza de trabajo hacia la hoja.
- Cuando haga cortes sin traspaso del espesor de la pieza de trabajo, siempre utilice bloques y/o palos empujadores y peines de sujeción apropiadamente para reducir el riesgo de lesiones graves.
- Cuando termine el corte, apague la sierra; para ello, ponga el botón en la posición apagado. Espere a que la hoja se detenga por completo antes de retirar la pieza de trabajo.

NOTA: En la ilustración de arriba, se muestra un corte al hilo sin traspaso. Para hacer un corte transversal sin traspaso, retire la protección de la hoja y los trinquetes anticontraGolpe. Coloque la cuchilla separadora en la posición “hacia abajo” y realice el corte transversal; consulte **Cómo efectuar cortes trans-versales** anteriormente en esta sección.

Una vez terminados todos los cortes no pasante:

- Desconecte la sierra.
- Coloque cuchilla separadora “arriba” en la posición.
- Vuelva a instalar el protección de la hoja.

FUNCIONAMIENTO

CÓMO EFECTUAR CORTES DE RANURA

Vea la figura 61.

Para este procedimiento se requiere una placa de la garganta para corte de ranuras optativa (vea la sección *Accesorios* de este manual y consulte al personal de la tienda de menudeo de su preferencia). Todos las hojas y juegos de hojas de ranurado deben tener una velocidad nominal mínima inferior a la de esta herramienta. Esta sierra está diseñada para usarse con un conjunto de hojas de ranurar de 152,4 mm (6 pulg.) (de un espesor de 13 mm [1/2 pulg.]). No utilice hojas de ranurar ajustables o moldear cortadores con esta sierra.

Los cortes de rebajado son cortes de ranurado en el extremo de una pieza de trabajo. Para obtener los mejores resultados, realice cortes de rebajado con una hoja de ranurado apilada.

NOTA: Use una guía auxiliar cuando haga cortes de rebajado para evitar que la cara de la guía de corte al hilo haga contacto con la pila de la hoja de ranurado durante la operación de corte.

⚠ ADVERTENCIA:

Cuando se hace un corte sin traspaso del espesor de la pieza de trabajo, la hoja queda cubierta con la pieza de trabajo durante la mayor parte del corte. Para evitar el riesgo de lesiones, esté alerta de la hoja expuesta al principio y final de cada corte.

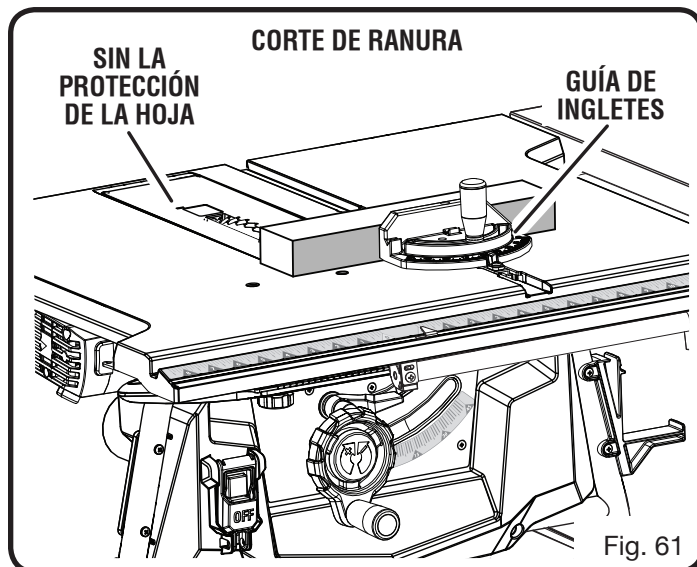
⚠ ADVERTENCIA:

Coloque siempre todas las arandelas de la hoja en la ubicación correspondiente cuando vuelva a instalar la hoja estándar. La inobservancia de esta advertencia puede causar lesiones y daños a la herramienta.

⚠ ADVERTENCIA:

Cuando haga cortes de ranuras, siempre utilice bloques o palos empujadoras, y/o peines de sujeción, para evitar el riesgo de lesiones graves.

- Desconecte la sierra.
- Quite el protección de la hoja, placa de la garganta, y cuchilla separador.
NOTA: Para obtener detalles sobre cómo retirar y volver a colocar la cuchilla separadora, consulte **Cómo limpiar las placas de la palanca de bloqueo de la cuchilla separadora** en la sección de *Mantenimiento* de este manual.
- Quite tuerca de la hoja, arandela de la hoja y hoja de la sierra.
NOTA: Siempre almacene la arandela de la hoja y placa de la garganta en una ubicación segura.
- Montar la hoja de ranurar, según instrucciones de fabricante, utilizando la hoja y cinces giratorios adecuados para el ancho de corte deseado.
- Vuelva a colocar la tuerca de la hoja y ajústela con firmeza.
NOTA: La arandela de la hoja puede utilizarse siempre y cuando el árbol sobrepase ligeramente la tuerca del mismo.
- Asegúrese de que la tuerca de la hoja esté totalmente enroscada y de que el árbol sobresalga después de apretar firmemente la tuerca de la hoja.



- Colocar la palanca de afloje del cuchilla separadora en la posición asegurada.
- Instale la placa de la garganta para cortes de ranuras y gire la hoja de sierra con la mano para asegurarse de que gire libremente y luego baje la hoja.
- Según sea la forma y el tamaño de la madera, utilice la guía de corte al hilo o la guía de ingletes.
- Si efectuar cortes al hilo, instale el peine de sujeción en la posición adecuada para el corte que se hizo.
- Coloque el interruptor de corriente en la posición de encendido.

NOTA: Asegúrese de que la pieza de trabajo no toque la hoja antes de encender la sierra. Permita que la hoja alcance la velocidad plena antes de avanzar la pieza de trabajo hacia la hoja.

- Coloque la pieza de trabajo plana sobre la mesa con la orilla pegada contra la guía de corte al hilo o la guía de ingletes y tiene firmemente contra la mesa de sierra.
- Utilice una plancha o palos empujadora para mover la madera durante el corte a través de la hoja. Nunca empuje una pieza pequeña de madera hacia la hoja con la mano. Siempre utilice una palas empujadora. El uso de planchas empujadoras, estacas empujadoras y peines de sujeción es necesario al efectuar cortes sin traspaso del espesor de la pieza de trabajo.
- Cuando termine el corte, apague la sierra; para ello, ponga el botón en la posición apagado. Espere a que la hoja se detenga por completo antes de retirar la pieza de trabajo.

NOTA: En la ilustración de arriba, se muestra un corte transversal de ranurado. Para hacer un corte al hilo de ranurado, retire la protección de la hoja, los trinquetes anticontraGolpe, la placa de la garganta y la cuchilla separadora. Instale la hoja de ranurado y la placa de la garganta de la hoja de ranurado y realice el corte al hilo; vea **Cómo efectuar cortes al hilo** anteriormente en esta sección.

Una vez terminados todos los cortes de ranura:

- Desconecte la sierra.
- Quite la placa de la garganta de la hoja para cortar ranuras y la hoja para cortar ranuras.
- Vuelva a instalar la cuchilla separadora en la posición hacia arriba.
- Vuelva la hoja de corte estándar, la placa de la garganta estándar, y el conjunto protector.

AJUSTES

⚠ ADVERTENCIA:

Antes de efectuar cualquier ajuste, asegúrese de que la herramienta esté desconectada del suministro de corriente y que el botón superior del interruptor no esté presionado. La falta de atención a esta advertencia podría causar lesiones corporales graves.

Para evitar configuraciones y ajustes innecesarios, una buena práctica es verificar cada configuración cuidadosamente con una escuadra de carpintero, y efectuar cortes en madera de desecho antes de efectuar cortes finales en piezas de trabajo buenas. No inicie ningún ajuste sin haber revisado con una escuadra y haber efectuado cortes de prueba para asegurarse de que son necesarios los ajustes.

PARA REEMPLAZAR LA HOJA

Veá las figuras 62 a 64.

Use guantes y otros elementos de protección personal solamente cuando instale y retire una hoja. **NO** use guantes cuando opere la sierra. **NO** coloque la mano enguantada cerca de la hoja cuando esté en movimiento.

Utilice las hojas indicadas. El ancho de corte de la hoja y el grosor del cuerpo de la hoja deben estar dentro de los límites marcados en la cuchilla separadora.

- Desconecte la sierra.
- Retirar el conjunto de protección de la hoja y trinquetes anticontraGolpe.
- Baje la hoja de la sierra y retire la placa de la garganta.
- Enganche la palanca de fijación de bisel.
- Suba la hoja a su máxima altura.
- Inserte una llave de hoja el abra abierto en las caras planas de polea del árbol.
- Inserte el extremo cerrado de la llave de la hoja en la tuerca de la hoja. Sosteniendo ambas llaves firmemente, jale la llave exterior (lado derecho) hacia delante mientras empuja el interior (lado izquierdo) hacia la parte posterior de la sierra. Retire la tuerca de la hoja y arandela de la hoja.

NOTA: El árbol tiene mano de enhebra derechos.

- Verrouillage le levier de dégagement y retirar la hoja.

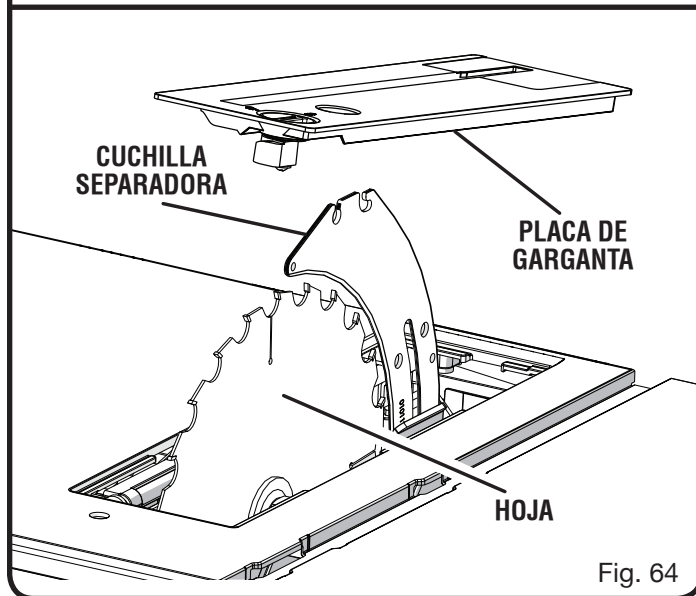
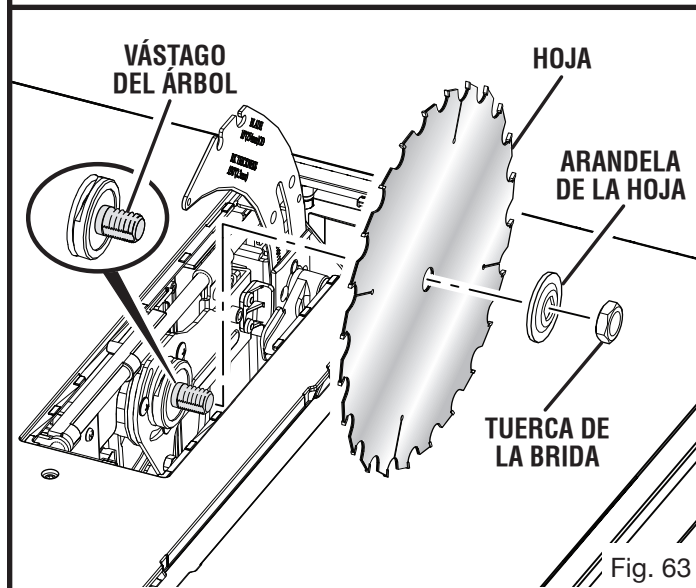
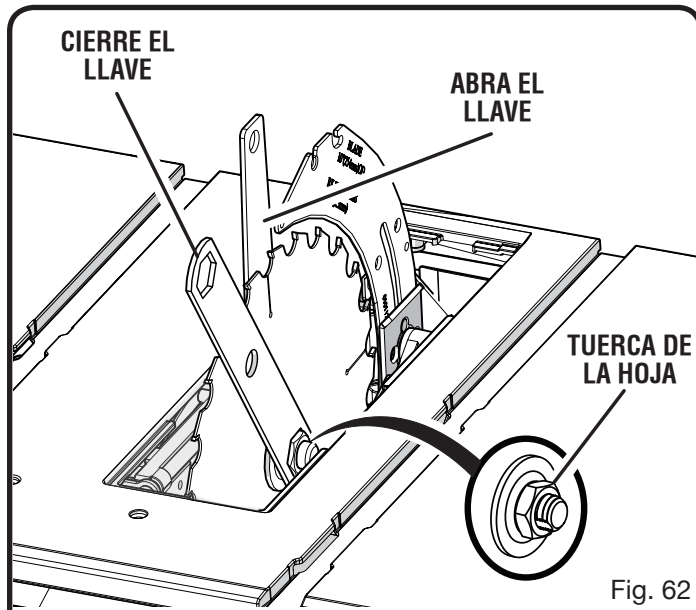
Para sustituir la hoja estándar por una de accesorio, siga las instrucciones suministradas con éste.

Para instalar la hoja estándar:

- Coloque la nueva hoja en el árbol (los dientes deben apuntar hacia el frente, hacia abajo, para que funcione correctamente la sierra).
- Coloque la arandela de la hoja y la tuerca de la hoja sobre el vástago de la hoja. Verifique que el lado plano de la arandela de la hoja esté cara afuera con respecto a la hoja, y que todos los componentes estén bien colocados contra el alojamiento del árbol. Asegúrese de que la tuerca de la hoja esté firmemente apretada. No apriete excesivamente.

NOTA: El árbol tiene mano de enhebra derechos.

- Asegurar la palanca de afloje.
- Girar la hoja con la mano para comprobar.
- Baje la hoja de la sierra y instalar la placa de garganta.
- Verifique la existencia de los espacios necesarios para permitir el giro libre de la hoja.



AJUSTES

Después de la instalación, ajuste el indicador de escala de corte al hilo para adaptarlo al ancho de corte y el grosor de la hoja. Consulte el apartado **Para ajustar a la hoja el indicador de la escala de la guía de corte al hilo** en la sección *Funcionamiento* de este manual. En las operaciones de corte la escala se ajusta con respecto al lado de la hoja donde se medirá y efectuará el corte.

PARA FIJAR EL INDICADOR DE BISEL Y LOS TOPES DE BISEL A 0° Y 45°

Vea las figuras 65 y 66.

Los ajustes de ángulo de la sierra se hicieron en la fábrica y, a menos que se hayan dañado durante el transporte, no necesitan ajuste durante el armado. Después de un uso intenso, es posible que se necesite revisar.

- Desconecte la sierra.
- Suba la hoja.
- Quite el conjunto de protección de la hoja.

Para verificar la cuadratura (bisel de 0°):

- Suelte la palanca de fijación de bisel.
- Gire la volante de ajuste de altura y bisel hasta que la hoja se incline hacia la derecha en la mayor medida posible.
- Enganche la palanca de fijación de bisel.
- Coloque la escuadra contra la hoja. Asegúrese de que la escuadra no esté tocando la punta de uno de los dientes de la sierra.

Si la hoja no forma un ángulo exacto de 90° (bisel de 0°):

- Suelte la palanca de fijación de bisel.
- Gire la volante de ajuste del ángulo de bisel hasta que el indicador de bisel indique 5°-10°.
- Gire 0° tornillo de tope 1/4 vuelta a la derecha o a la izquierda.
- Gire la volante de ajuste de altura y bisel hasta que la hoja se incline hacia la derecha en la mayor medida posible.
- Enganche la palanca de fijación de bisel y examine de ángulo de hoja.
- Repita los pasos anteriores para reajustar y volver a verificar el ángulo de la hoja según sea necesario.

Una vez que la hoja forme un ángulo recto con la mesa (bisel de 0°):

- Verifique el indicador de bisel.
- Si el indicador no marca 0° en la escala de bisel, afloje el tornillo de ajuste del indicador y ajuste el indicador.
- Vuelva a apretar el tornillo.

Para verificar la cuadratura (bisel de 45°):

- Suelte la palanca de fijación de bisel.
- Gire la volante de ajuste de altura y bisel hasta que la hoja se incline hacia la izquierda en la mayor medida posible.
- Enganche la palanca de fijación de bisel.
- Coloque la escuadra contra la hoja. Asegúrese de que la escuadra no esté tocando la punta de uno de los dientes de la sierra.

Si la hoja no forma un ángulo exacto de 45°:

- Suelte la palanca de fijación de bisel.
- Gire la volante de ajuste del ángulo de bisel hasta que el indicador de bisel indique 35°-40°.
- Gire 45° tornillo de tope 1/4 vuelta a la derecha o a la izquierda.
- Gire la volante de ajuste de altura y bisel hasta que la hoja se incline hacia la izquierda en la mayor medida posible.
- Enganche la palanca de fijación de bisel y examine de ángulo de hoja.

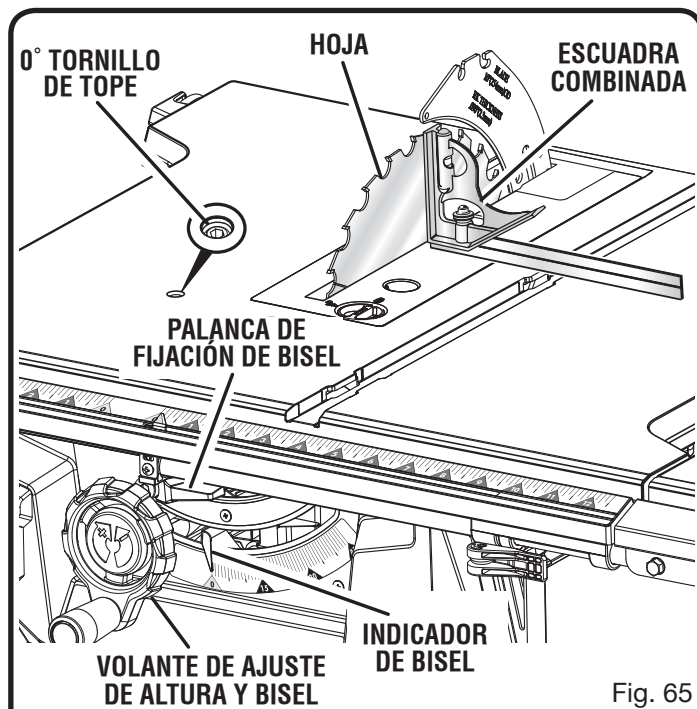


Fig. 65

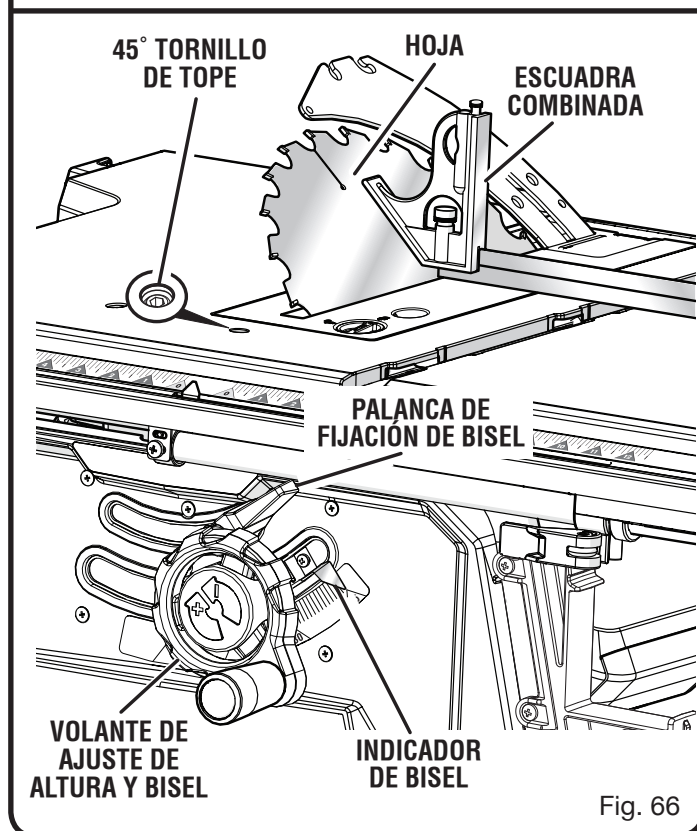


Fig. 66

- Repita los pasos anteriores para reajustar y volver a verificar el ángulo de la hoja según sea necesario.

Una vez que la hoja forme un ángulo de 45° con respecto a la mesa:

- Controle el indicador de bisel.
- Si el indicador no está apuntando a la marca de 45° en la escala del bisel, afloje el tornillo de ajuste del indicador y ajuste el indicador.

AJUSTES

- Vuelva a apretar los tornillos.

Cuando todos los ajustes son completos:

- Instalar el protección de la hoja.

VERIFICACION DEL ALINEAMIENTO DE LA GUÍA DE CORTE AL HILO EN RELACION A LA HOJA

Vea la figura 67.

La guía de corte al hilo debe estar paralela a la hoja de la sierra y a la ranura de la guía de ingletes.

ADVERTENCIA:

Cualquier desalineación de la guía de corte al hilo puede causar contragolpes y atoramientos. Para disminuir el riesgo de lesiones, siempre mantenga bien alineada la guía de corte al hilo.

- Desconecte la sierra.
- Retirar la protección de la hoja, el cuchilla separadora y trinquetes anticontragolpe. Eleve lo más posible la hoja con un giro de la volante de ajuste de altura de bisel.
- Verifique que la hoja esté paralela a la ranura del calibre de inglete, tal como se describe en la sección **Ajuste de la hoja paralela a la ranura del calibre de inglete (remoción del talón)** en *Operaciones*.
- Mueva la guía de corte cerca de la hoja de la sierra (unos 76,2 mm [3 pulg.] de distancia) y fíjela con la palanca de bloqueo.
- Marque un lado de uno de los dientes de la parte frontal de la hoja. Con una regla, mida la distancia desde la cara interna del diente de la hoja a la cara interna de la guía de corte.

NOTA: Para una mayor precisión, coloque el diente marcado de la hoja sobre la regla.

NOTA: Si la guía de corte al hilo está a la izquierda de la hoja, mida desde la guía baja hasta el diente de la hoja.

- Gire la hoja de manera que el diente marcado quede atrás.
- Mueva la regla a la parte posterior y mida nuevamente la distancia desde la cara interna del diente de la hoja a la cara interna de la guía de corte. Si las distancias son iguales, la hoja y la guía de corte están paralelas.

Si ambas distancias medidas son diferentes:

- Desbloquee la guía de corte al hilo.
- Afloje los dos tornillos ubicados en la parte superior de la guía de corte al hilo.
- Ajuste la guía de corte.
- Apriete de forma alternada los tornillos. Vuelva a revisar la alineación.
- Repita los pasos necesarios hasta que quede correctamente alineada la guía de corte al hilo.
- Vuelva a colocar el protección de la hoja, el cuchilla separadora y trinquetes anticontragolpe.

VERIFICACION LA TIRANTEZ DEL PALANCA DE BLOQUEO DE LA GUÍA DE CORTE AL HILO

Vea la figura 68.

La palanca de bloqueo de la guía de corte al hilo debe fijar firmemente ésta contra los rieles delantero y trasero. La palanca

no debe presentar ninguna dificultad para bajarse y fijarse. Para asegurar un adecuado ajuste de la palanca de bloqueo de la guía:

- Asegurar la guía de corte al hilo seguro el lugar.
- Intente de mover la guía de corte al hilo del lado a lado. Si la guía mueve, apriete la tuerca de seguridad 1/4 vuelta.
- Teniendo la guía de corte al hilo bloqueada con la palanca, vuelva a revisar para ver si dicha guía está paralela a la hoja y efectúe los ajustes necesarios.

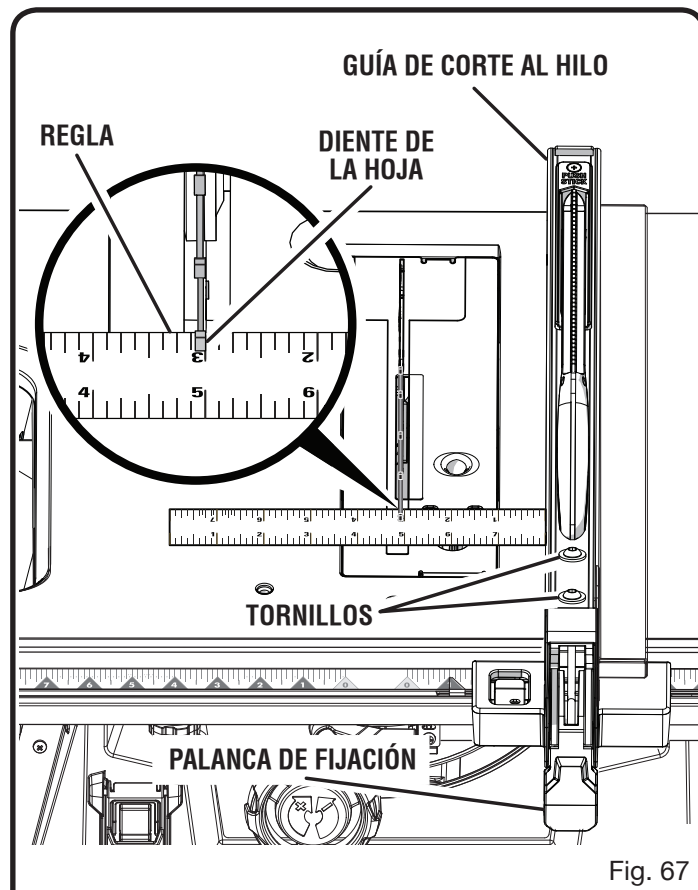


Fig. 67

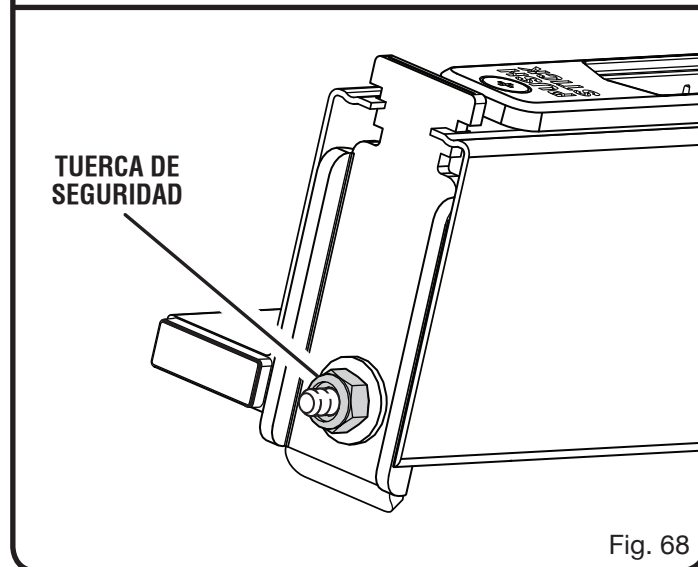


Fig. 68

MANTENIMIENTO

⚠️ ADVERTENCIA:

Al dar servicio a la unidad, sólo utilice piezas de repuesto idénticas. El empleo de piezas diferentes puede causar un peligro o dañar el producto.

⚠️ ADVERTENCIA:

Siempre póngase protección ocular con la marca de cumplimiento de la norma ANSI Z87.1. Si la operación genera mucho polvo, también póngase una mascarilla contra el polvo.

⚠️ ADVERTENCIA:

Antes de efectuar cualquier mantenimiento, asegúrese de que la herramienta esté desconectada de la fuente de alimentación y que el botón superior del interruptor no esté presionado. El incumplimiento de esta advertencia puede causar una lesión personal grave.

MANTENIMIENTO GENERAL

Evite el empleo de solventes al limpiar piezas de plástico. La mayor parte de los plásticos son susceptibles a diferentes tipos de solventes comerciales y pueden dañarse. Utilice paños limpios para eliminar la suciedad, polvo, aceite, grasa, etc.

⚠️ ADVERTENCIA:

No permita en ningún momento que líquido para frenos, gasolina, productos a base de petróleo, aceites penetrantes, etc., lleguen a tocar las piezas de plástico. Las sustancias químicas pueden dañar, debilitar o destruir el plástico, lo cual a su vez puede producir lesiones corporales graves.

- Revise periódicamente el apriete y el estado físico de todas las mordazas, tuercas, pernos y tornillos. Asegúrese de que esté en buen estado y en su posición la placa de la garganta.
- Verifique el conjunto de la protección de la hoja para determinar si la instalación y los espacios son adecuados, además de que haya movimiento libre. Algunos tipos de madera pueden causar la acumulación de polvo, alquitrán o resina en los componentes, así que recomendamos el mantenimiento regular y la limpieza. El limpiador que utilice debe ser apropiado para usar en partes plásticas.
- **Limpie las piezas de plástico solamente con un paño suave húmedo. NO** use ningún solvente en aerosol o a base de petróleo.
- Proteja la hoja limpiando el aserrín que cae bajo la mesa y entre los dientes. Limpie los dientes de la sierra con un solvente recomendado para eliminar goma y resina.
- Para mantener las superficies de las mesas, de las guías y de los rieles en buen estado, aplique cera y luego lístrelas para que funcionen con suavidad, encérelas periódicamente. **No** encere la superficie de trabajo de la guía de inglete, para evitar que el trabajo se deslice cuando está siendo cortado.

LUBRICACIÓN

Todos los cojinetes de esta herramienta están lubricados con suficiente cantidad de aceite de alta calidad para toda la vida útil de la unidad en condiciones normales de funcionamiento. Por tanto, no se necesita lubricación adicional.

CÓMO LIMPIAR LAS PLACAS DE LA PALANCA DE BLOQUEO DE LA CUCHILLA SEPARADORA

Vea la figura 69.

La palanca de bloqueo de la cuchilla separadora podría resultar difícil de bloquear de forma segura después del uso prolongado, debido a la acumulación de aserrín o suciedad en las placas.

- Desconecte la sierra.
- Desbloquee la palanca para quitar la cuchilla separadora.
- Limpie el área con un trapo limpio y seco, o use aire comprimido para quitar la suciedad.
- Limpie la cuchilla separadora.
- Vuelva a colocar la cuchilla separadora y gire la palanca para bloquear la cuchilla en su lugar.

NOTA: Si resulta difícil mover la palanca de bloqueo o esta no se cierra completamente después de limpiar las placas, comuníquese con el servicio de atención al cliente.

⚠️ ADVERTENCIA:

No use la sierra si la palanca de seguridad no cierra totalmente. Si lo hace, podría sufrir lesiones personales graves.

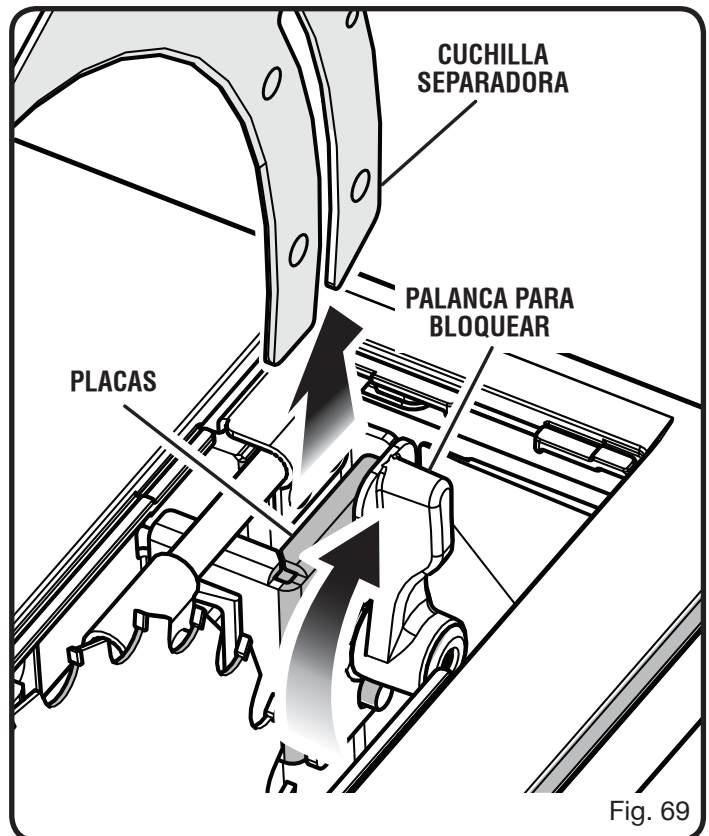


Fig. 69

MAINTENANCE

VERTEDERO DE ASERRÍN

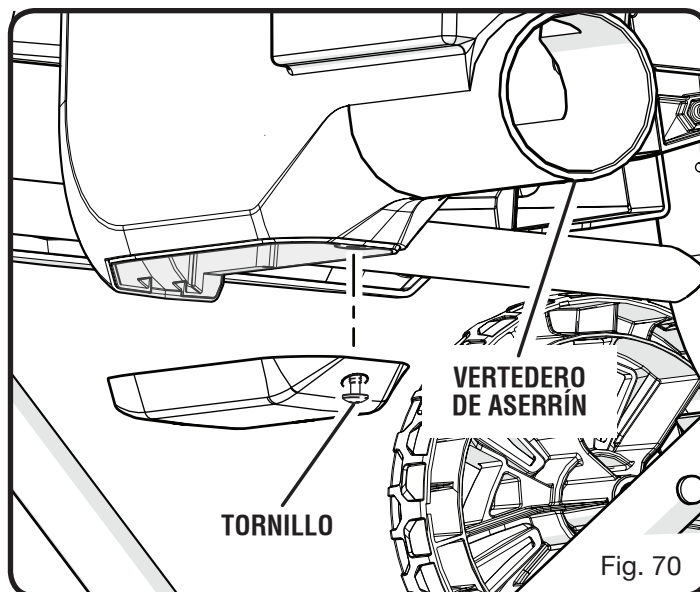
Vea la figura 70.

Esta sierra incluye un vertedero de aserrín práctico para descargar el aserrín. Puede conectar una aspiradora común al vertedero de aserrín, ubicado debajo de la parte trasera de la sierra.

Durante períodos de uso prolongado, el vertedero de aserrín debe vaciarse y limpiarse para evitar la acumulación de aserrín y para asegurarse de que no haya obstrucciones u otros recortes pequeños que puedan haber caído por la abertura de la placa de la garganta, ya que esto podría disminuir rendimiento.

Para limpiar el vertedero de aserrín:

- Desconecte la sierra.
- Afloje el tornillo de la parte inferior del vertedero de aserrín.
- Quite la tapa.
- Quite el aserrín sacudiendo el vertedero y límpielo con un trapo seco, según sea necesario.
- Vuelva a colocar la tapa y ajuste el tornillo con firmeza.



ACCESORIOS

Busque estos accesorios en la misma tienda en la que adquirió este producto o llame al 1-800-525-2579:

- Placa de ranurar para la garganta..... 089240036001



ADVERTENCIA:

Arriba se señalan los aditamentos y accesorios disponibles para usarse con esta herramienta. No utilice ningún aditamento o accesorio no recomendado por el fabricante de esta herramienta. El empleo de aditamentos o accesorios no recomendados puede causar lesiones serias.

CORRECCIÓN DE PROBLEMAS

PROBLEMA	CAUSA	SOLUCIÓN
Vibración excesiva.	Hoja desequilibrada. Hoja dañada. La sierra no está bien asegurada. La superficie del trabajo es dispareja. La hoja está combada.	Reemplace la hoja. Reemplace la hoja. Apriete toda la ferretería. Coloque en una superficie plana. Ajuste la patas del pedestal opcional. Verifique la instalación de la hoja de la sierra. Reemplace la hoja si es necesario.
La guía de corte al hilo no se mueve suavemente.	La guía de corte al hilo está mal instalada. Los rieles están sucios o pegajosos. El tornillo de la grampa está mal ajustado.	Vuelva a instalar la guía de corte al hilo. Limpie y encere los rieles. Ajuste el tornillo de la grampa apretándolo hacia la izquierda.
La guía de corte al hilo no se bloquea en la parte trasera.	El tornillo de la grampa está mal ajustado.	Ajuste el tornillo de la grampa apretándolo hacia la derecha.

CORRECCIÓN DE PROBLEMAS

PROBLEMA	CAUSA	SOLUCIÓN
El corte quema o aglutina la pieza de trabajo.	<p>La hoja no está afilada. La hoja se inclina.</p> <p>El trabajo es alimentado demasiado rápido. La guía de corte al hilo está desalineada. La pieza de trabajo está combada.</p> <p>Está desalineado el cuchilla separador.</p>	<p>Reemplace o afile la hoja.</p> <p>Vea el apartado “Taloneo de la hoja (ponerla paralela) con la ranura de la guía de ingletes”. Disminuya la velocidad de alimentación. Alinee la guía de corte al hilo.</p> <p>Cambie la pieza de trabajo. Siempre corte con el lado convexo hacia la superficie de la mesa.</p> <p>Vea el apartado “Para revisar y alinear cuchilla separador y la hoja” en la sección Armado.</p>
La pieza de trabajo se aleja de la guía cuando se hacen cortes al hilo.	La hoja no está debidamente afilada o ajustada.	Afile o ajuste la hoja.
La sierra no hace cortes precisos de 90 o 45 grados.	<p>Los topes positivos detrás del panel delantero necesitan ajustes (Cortes en Bisel)</p> <p>La guía de inglete está desalineada. (Cortes en Inglete)</p>	<p>Ajuste los topes positivos.</p> <p>Ajuste la guía de inglete.</p>
Es difícil girar la volante de ajuste de altura/bisel.	Los engranajes o el cuerpo del tornillo detrás del panel están obstruidos con aserrín.	Limpie los engranajes o el poste del tornillo.
La sierra no se pone en marcha.	<p>El cordón del motor o el cordón mural no está enchufado.</p> <p>Reemplace el fusible del circuito.</p> <p>El disyuntor está disparado.</p> <p>El cordón o el interruptor está dañado.</p>	<p>Enchufe el cordón del motor o el cordón mural.</p> <p>El fusible del circuito está quemado. Resposicione el disyuntor.</p> <p>Reemplace el cordón o el interruptor en un centro de servicio autorizado.</p>
La hoja hace cortes deficientes.	<p>La hoja hace cortes deficientes.</p> <p>La hoja es del tipo incorrecto para el corte que se está efectuando.</p> <p>La hoja está instalada al revés.</p>	<p>Limpie, afile o reemplace la hoja.</p> <p>Reemplace con el tipo correcto.</p> <p>Vuelva a instalar la hoja.</p>
La hoja no desciende cuando se gira la volante de ajuste de altura/bisel.	La palanca de bloqueo no está en la posición máxima a la izquierda.	Mueva la palanca de bloqueo a la izquierda.
El motor trabaja mucho en los cortes al hilo.	La hoja no es adecuada para cortes al hilo de la madera.	Cambie la hoja; generalmente la hoja para cortes al hilo tiene menos dientes.
La hoja se mueve durante varios segundos después de apagar la sierra.	El freno eléctrico podría no estar funcionando correctamente.	Comuníquese con el servicio de atención al cliente.



OPERATOR'S MANUAL/10 in. TABLE SAW
MANUEL D'UTILISATION/SCIE À TABLE de 254 mm (10 po)
MANUAL DEL OPERADOR/SIERRA DE MESA de 254 mm (10 pulg.)

RTS23

To request service, purchase replacement parts,
locate an Authorized Service Center and obtain Customer or Technical Support:

Visit **www.ryobitools.com** or call **1-800-525-2579**

If any parts or accessories are damaged or missing,
do not return this product to the store. Call **1-800-525-2579** for immediate service.

Please obtain your model and serial number from the product data plate.
This product is covered under a 3-year limited Warranty. Proof of purchase is required.

MODEL NUMBER _____ SERIAL NUMBER _____

RYOBI is a registered trademark of Ryobi Limited and is used pursuant to a license granted by Ryobi Limited.

Pour faire une demande de réparations ou obtenir des pièces de rechange, trouver un
Centre de réparations agréé pour obtenir un soutien technique ou le Service à la clientèle :

Visiter **www.ryobitools.com** ou en téléphonant au **1-800-525-2579**

Si des pièces ou accessoires sont manquantes ou endommagées, ne pas retourner
ce produit au magasin. Appeler immédiatement au **1-800-525-2579** pour obtenir de l'aide.

Inscrire les numéros de modèle et de série inscrits sur la plaque d'identification du produit.
Ce produit est couvert par une garantie limitée de trois (3) ans. Une preuve d'achat est exigée.

NUMÉRO DE MODÈLE _____ NUMÉRO DE SÉRIE _____

RYOBI est une marque déposée de Ryobi Limited et est utilisée en vertu d'une licence accordée par Ryobi Limited.

Para obtener servicio, comprar piezas de repuesto, localizar un centro de servicio autorizado
y obtener Servicio o Asistencia Técnica al Consumidor:

Visite **www.ryobitools.com** o llame al **1-800-525-2579**

Si hay alguna pieza ou accesorios dañada o faltante, no devuelva este producto a la tienda.
Llame al **1-800-525-2579** para servicio técnico inmediato.

Obtenga su modelo y número de serie de la placa de datos del producto.
Este producto está cubierto con una garantía limitada de 3 años. Se solicita prueba de la compra.

NÚMERO DE MODELO _____ NÚMERO DE SERIE _____

RYOBI es una marca registrada de Ryobi Limited y se utiliza conforme a una licencia otorgada por Ryobi Limited.

ONE WORLD TECHNOLOGIES, INC.

P.O. Box 1288, Anderson, SC 29622 • Phone 1-800-525-2579
États-Unis, Téléphone 1-800-525-2579 • USA, Teléfono 1-800-525-2579

www.ryobitools.com