

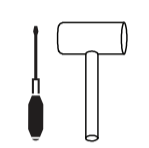


00:30

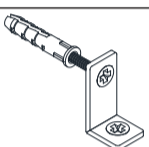
Approx. 30 minutes



Recomm. 2 Person



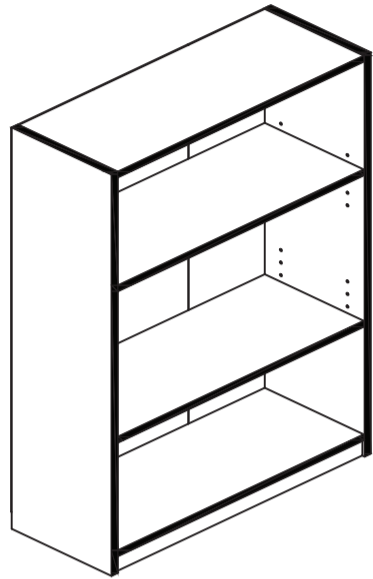
Tool Required



Wall Plug

Assembly Instruction

Furinno 3 Tier Shelf Bookcase
MODEL : 14151R1



Customer Support

NEED HELP? For replacement requests or product inquiries, please contact our Customer Service Team by emailing us at support@furinno.com. Thank you for selecting Furinno!

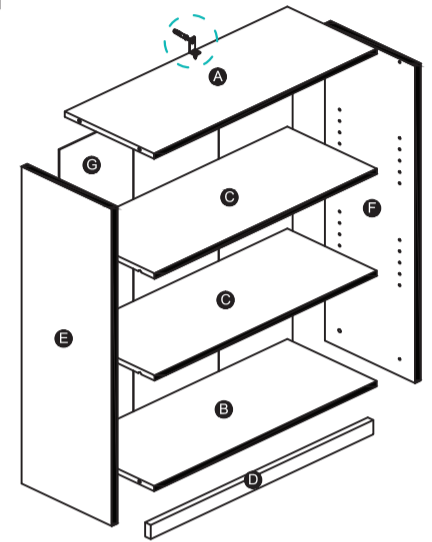
www.furinno.com



14151R120180226

| No | Hardware List | Qty |
|----|-------------------|-------|
| 1 | Small Screw | 4pcs |
| 2 | Mini Fix Cam | 8pcs |
| 3 | Mini Fix Bolt | 8pcs |
| 4 | Wall Mounting Set | 1set |
| 5 | Shelving Support | 8pcs |
| 6 | L Bracket | 2pcs |
| 7 | Power Pin | 28pcs |

| No | Parts List | Qty |
|----|------------------|------|
| A | Top Panel | 1pc |
| B | Bottom Panel | 1pc |
| C | Shelf Panel | 2pcs |
| D | Bottom Bar | 1pc |
| E | Left Side Panel | 1pc |
| F | Right Side Panel | 1pc |
| G | Back Panel | 1set |

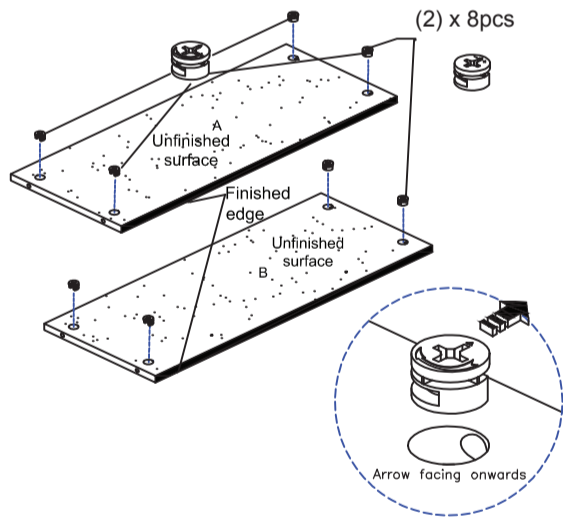


USEFUL HINTS BEFORE YOU START:

1. Read each step carefully before starting.
2. It is important that each step is performed in correct order to avoid difficulties.
3. Identify, sort and count the parts before assembly.
4. Assemble your furniture on packaging cardboard to prevent scratch or damage.
5. Clean the product with mild cleanser using soft damped cloth. Do not use harsh or abrasive cleanser.
6. Using incompatible hardware might cause damage to product.

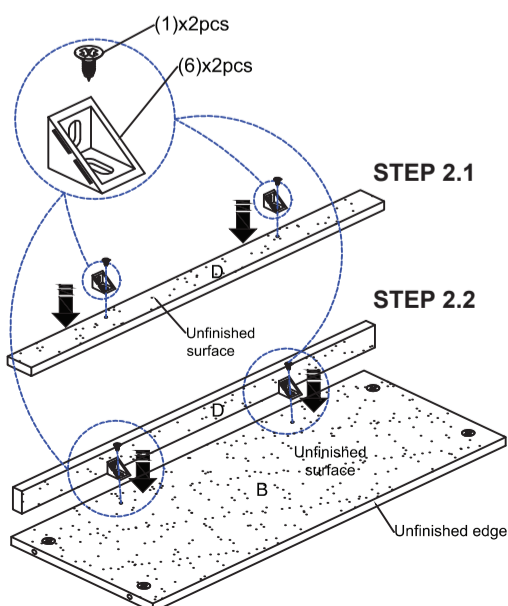
STEP 1

Insert Mini Fix Cam (2) to Panel (A&B), as shown.



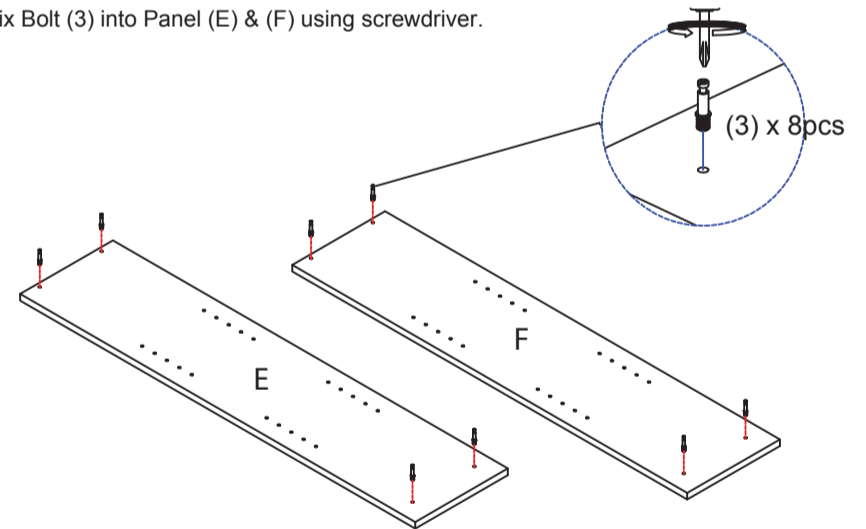
STEP 2

- 2.1 Install L Bracket (6) to Bar (D) with Small Screw (1).
- 2.2 Attach assembled unit to Panel (B) with Small Screw (1).



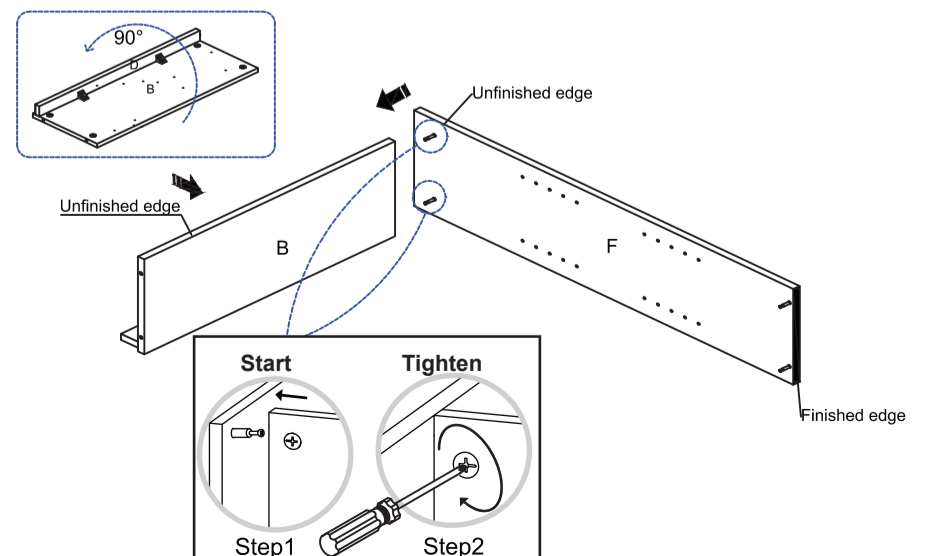
STEP 3

Insert Mini Fix Bolt (3) into Panel (E) & (F) using screwdriver.



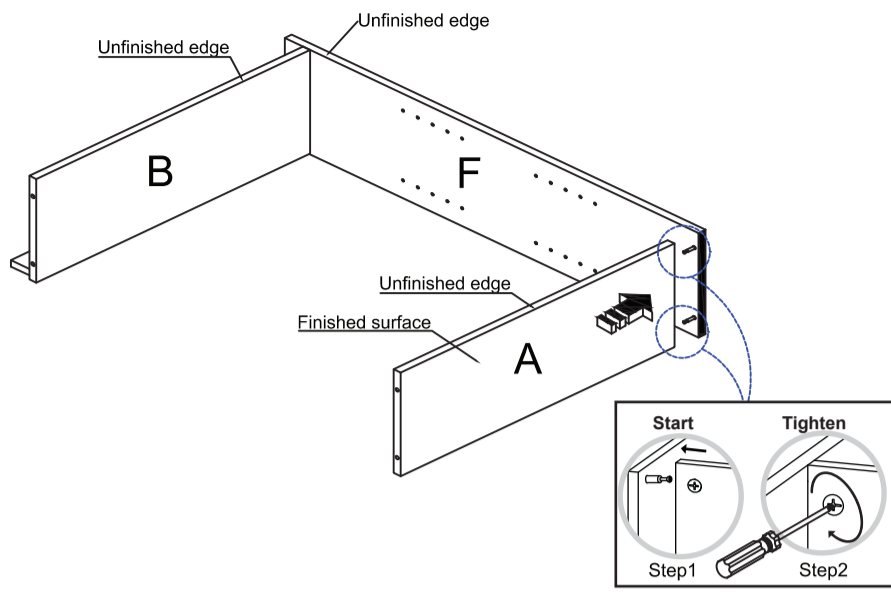
STEP 4

Attach Panel (F) to assembled unit in Step 2, as shown.



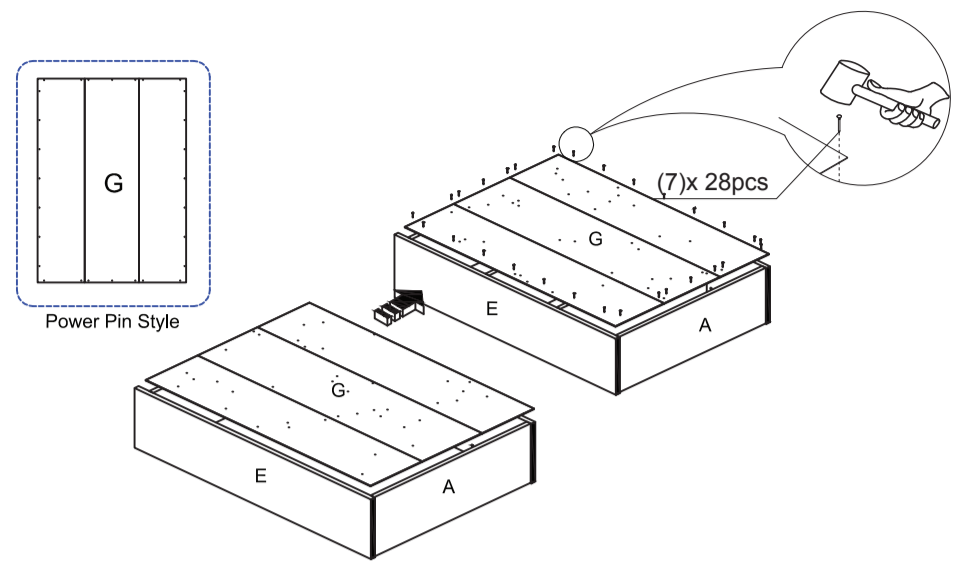
STEP 5

Attach Panel (A) to Panel (F), as shown.



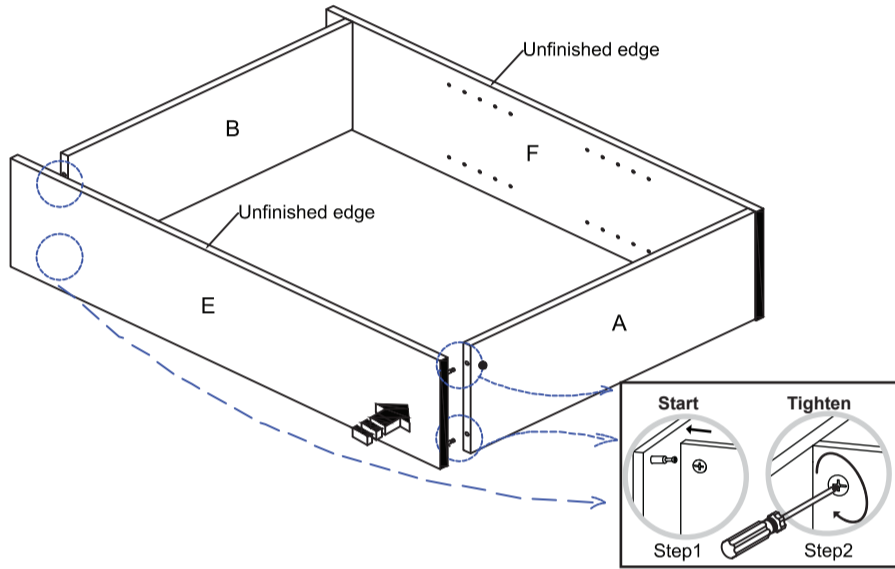
STEP 7

Attach Panel (G) to the back of the assembled unit using Power Pin (7).



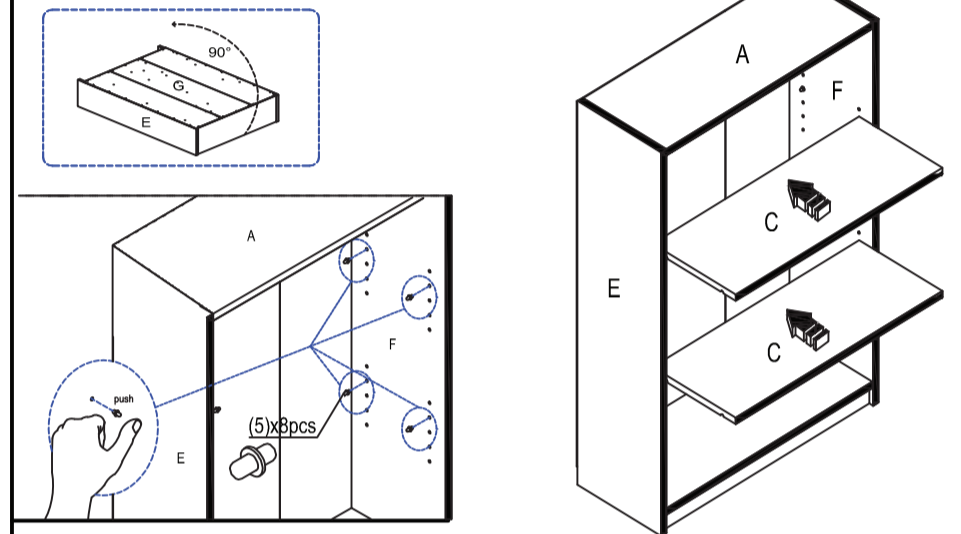
STEP 6

Attach Panel (E) to Panel (A&B), as shown.



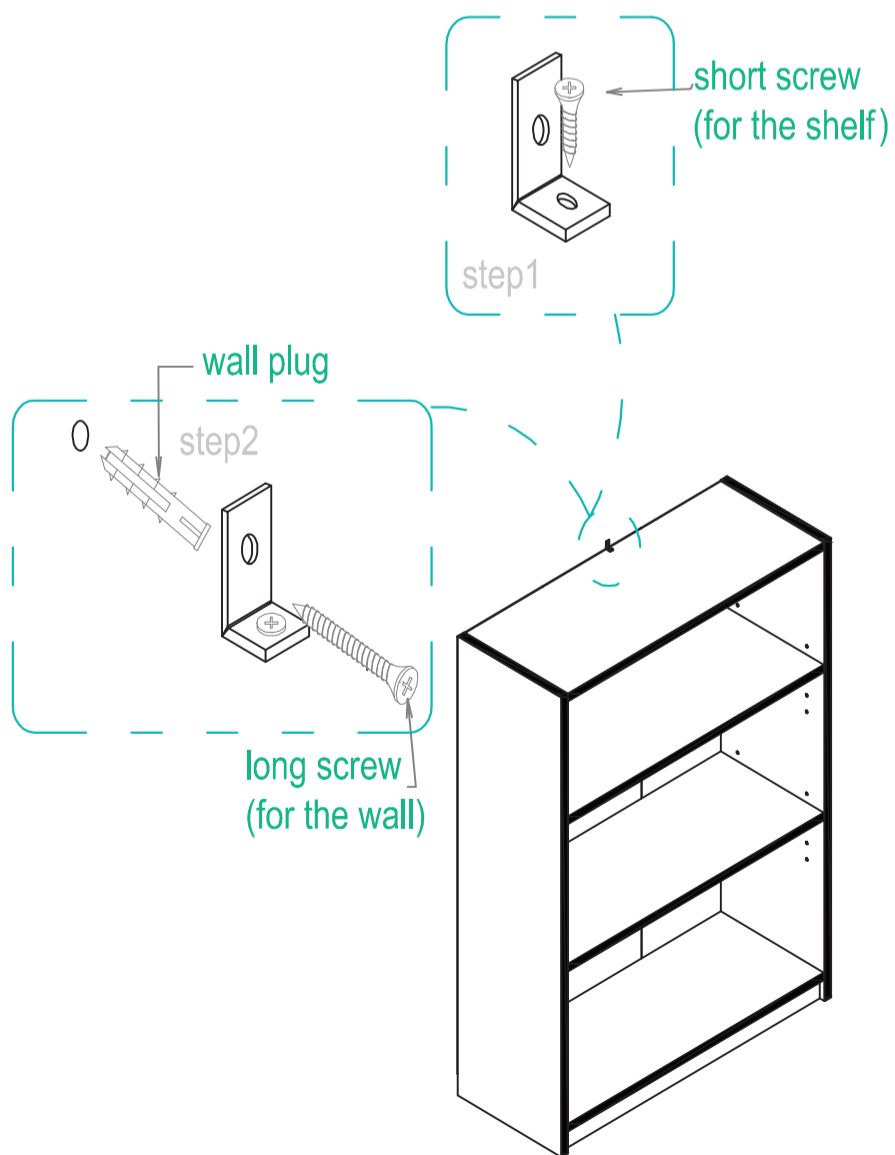
STEP 8

- 8.1 Insert Shelving Support (5) to the pre-drilled holes on Panel (E&F).
- 8.2 Insert Shelf Panel (C) to the unit, as shown.

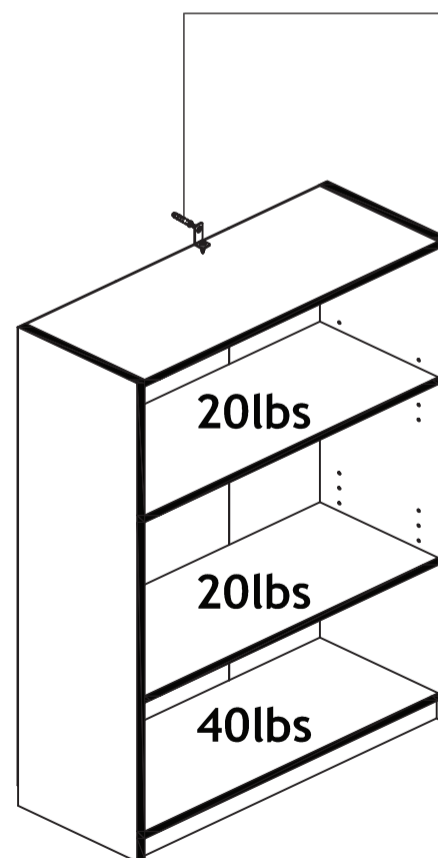


STEP 9

Fix the unit to the wall using Wall Mounting Set (4) to prevent unit from falling.



Recommended Maximum Weight



IMPORTANT: In order to prevent product tip over, please secure the unit to the wall.

WARNING:

- >This unit has been designed to support the maximum loads shown. Exceeding these load limits could cause sagging, instability, product collapse, and/or serious injury.
- >DO NOT allow children to climb on unit.
- >Put heavier items on lower shelves.