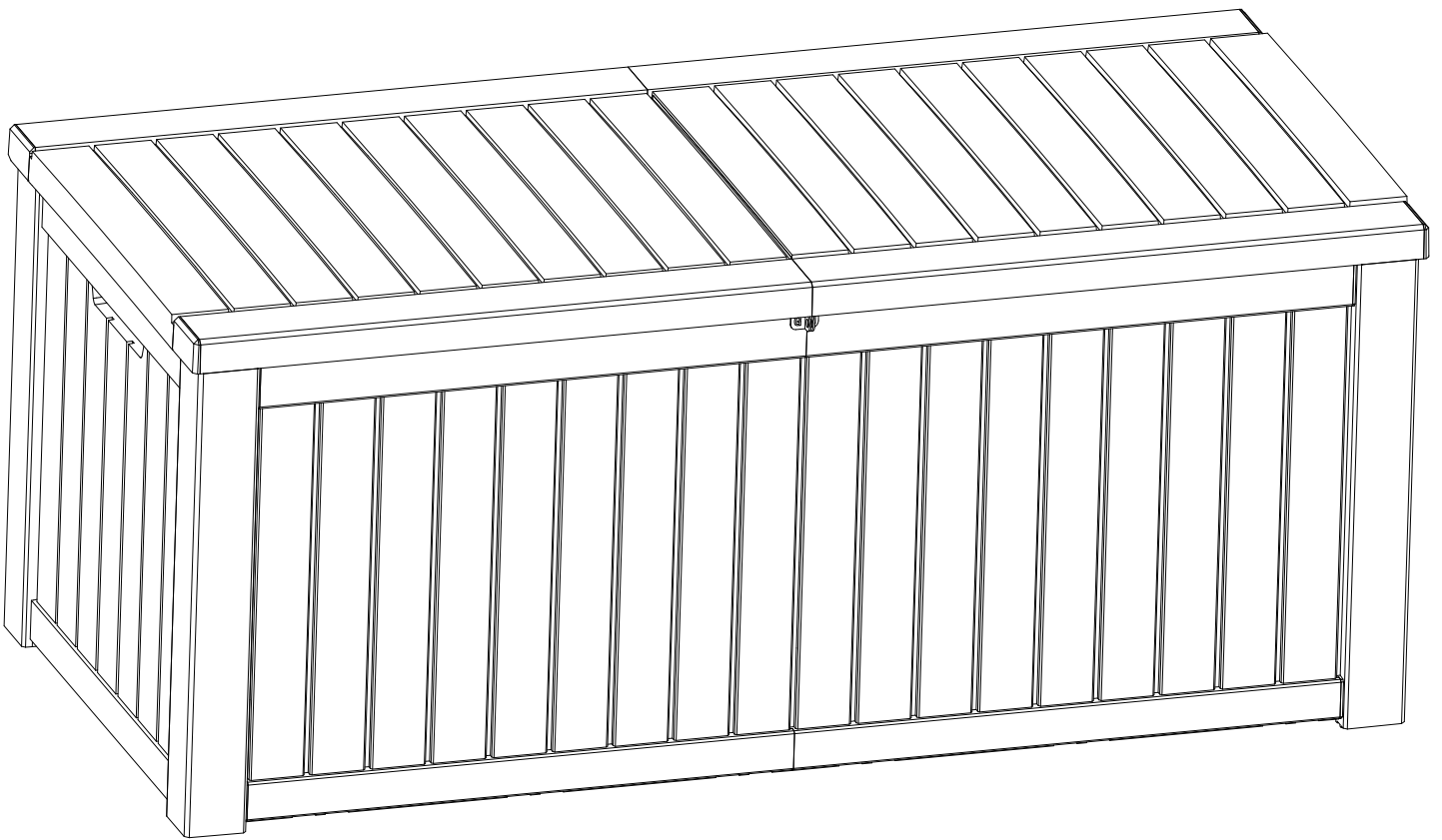


# ASSEMBLY INSTRUCTIONS

---

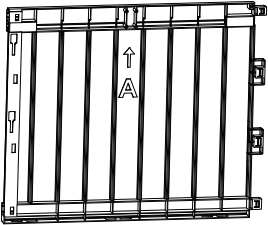
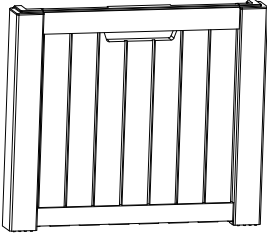
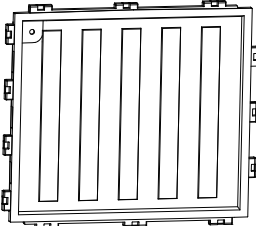
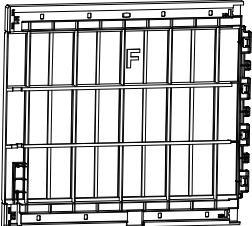
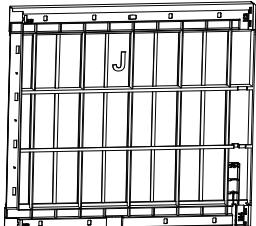
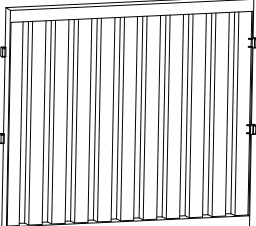
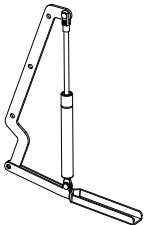

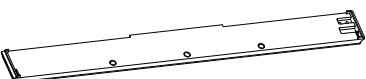
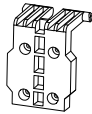

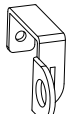
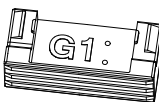
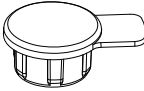
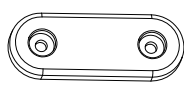



## ■ 1-Piece

Deck Box



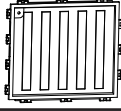
# Parts

Check and make sure you get the components on the list, contact us for any missing

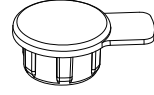
A	 <p>Front box piece</p>	X4	B	 <p>Side box piece</p>	X2			
C	 <p>Bottom plate</p>	X2	F	 <p>Left cover</p>	X1			
J	 <p>Right cover</p>	X1	N	 <p>Separator</p>	X1			
H	 <p>Hydraulic Rod</p>	X2	D	 <p>Iron tube</p>	X4			
			P	 <p>Bead</p>	X1			
E	 <p>Hinge</p>	X2	G	 <p>Connector G</p>	X1	I	 <p>Connector I</p>	X1
G1	 <p>Fastener G1</p>	X1	Q	 <p>Plug</p>	X2	T	 <p>Card</p>	X2
G2	 <p>Fastener G2</p>	X1	L	 <p>Self-tapping screws</p>	X30	 <p><b>Tips: DO NOT</b> tighten any screws until all the parts are put together.</p>		

# Assembly steps

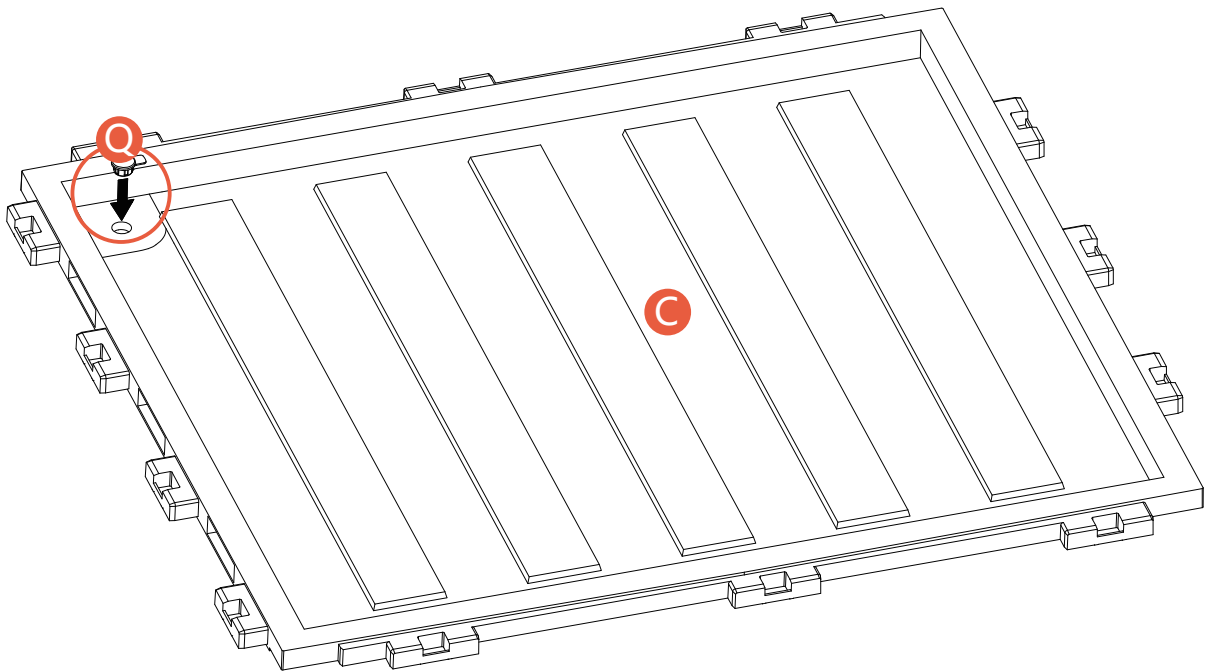
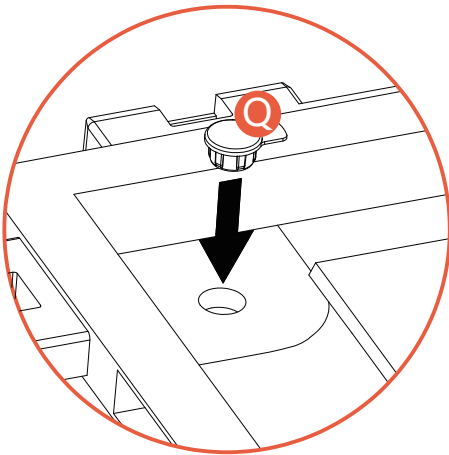
Step 1



C (X2)



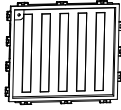
Q (X2)



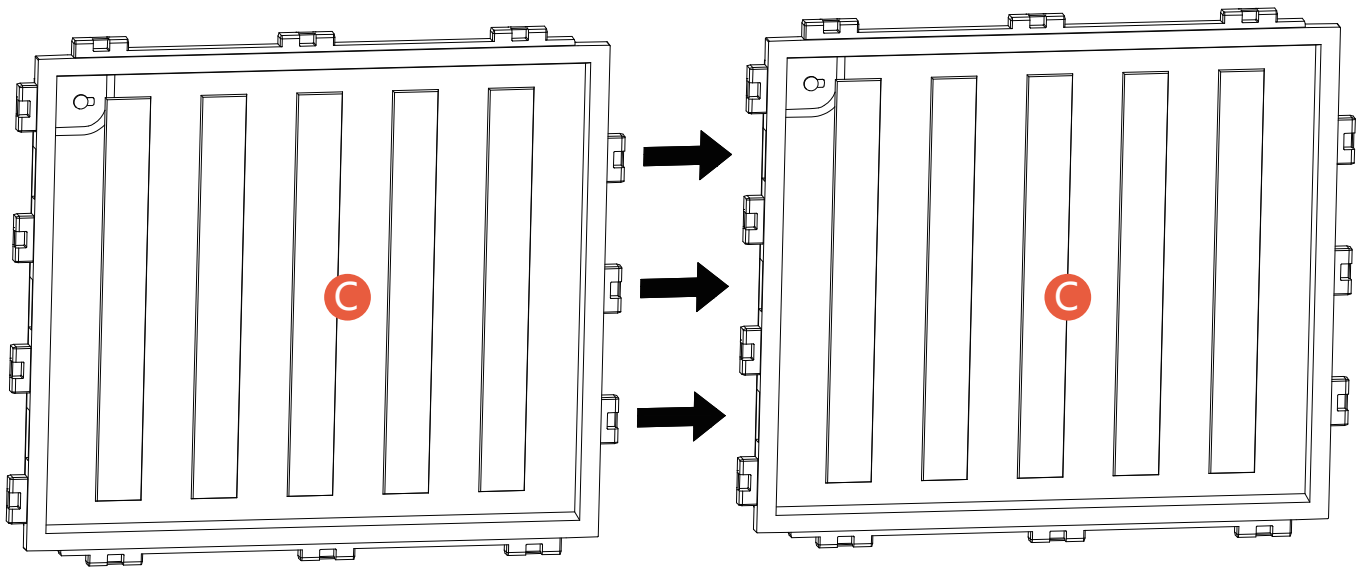
**X2**

# Assembly steps

Step 2



C (X2)



# Assembly steps

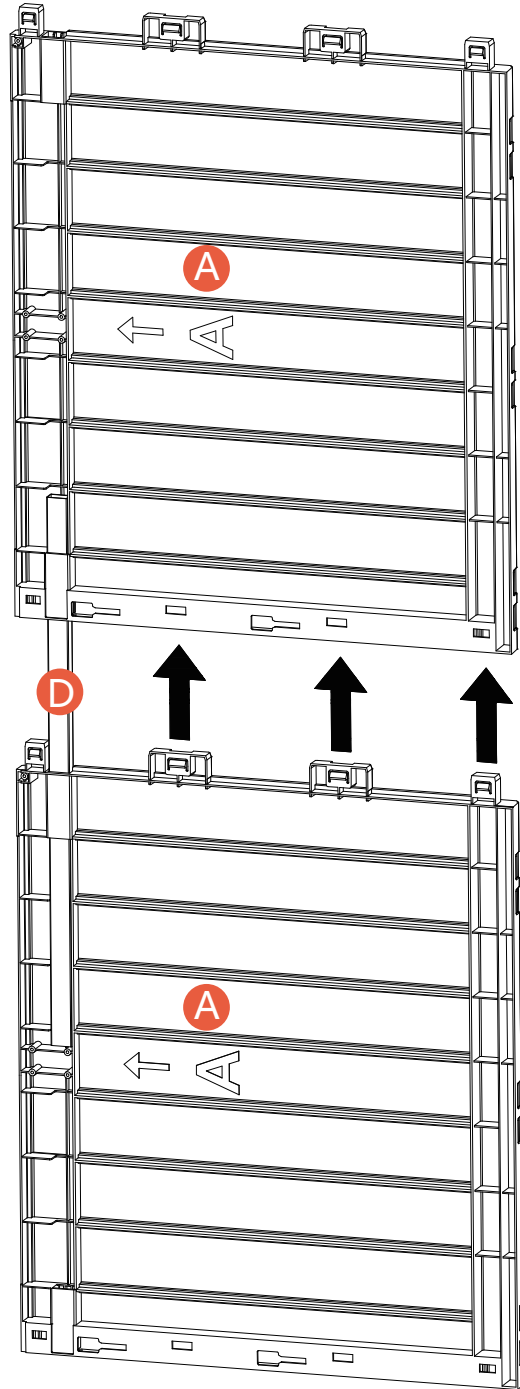
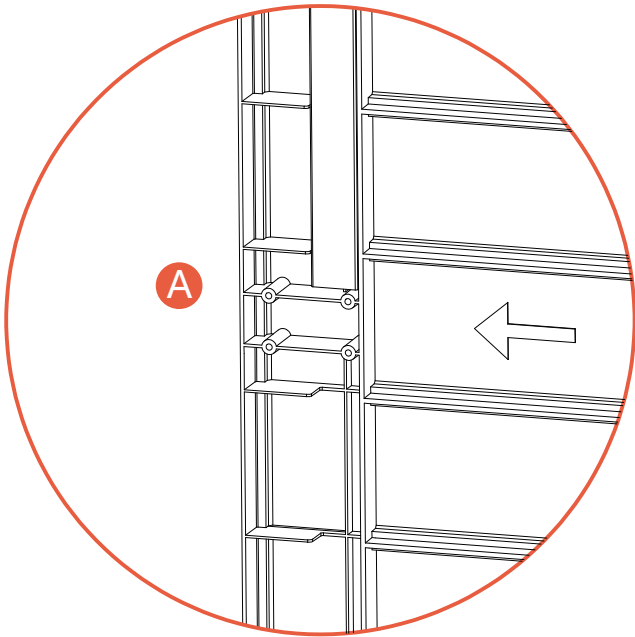
Step 3



A (X4)



D (X2)



X2

# Assembly steps

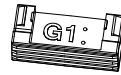
Step 4



F (X1)



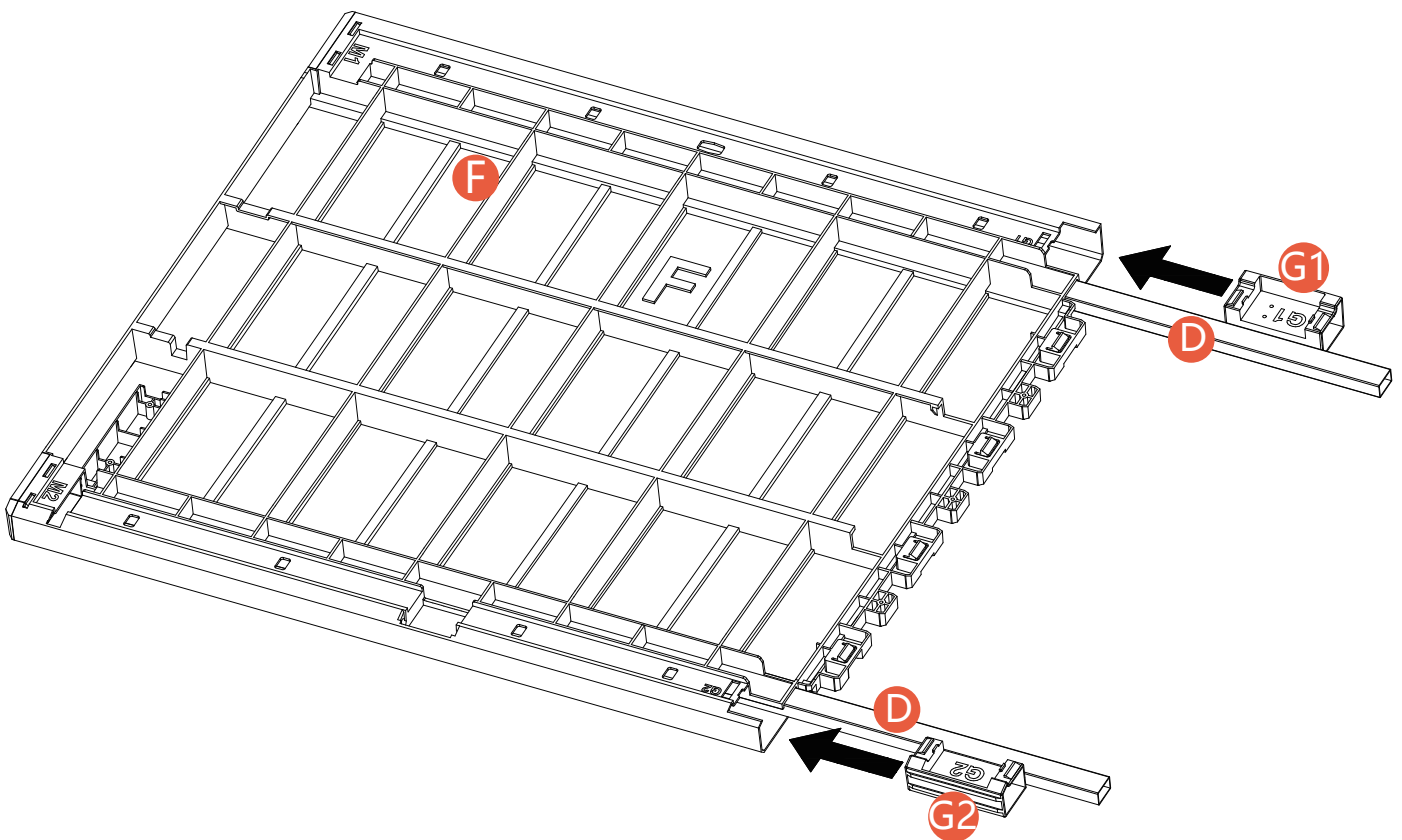
D (X2)



G1 (X1)



G2 (X1)

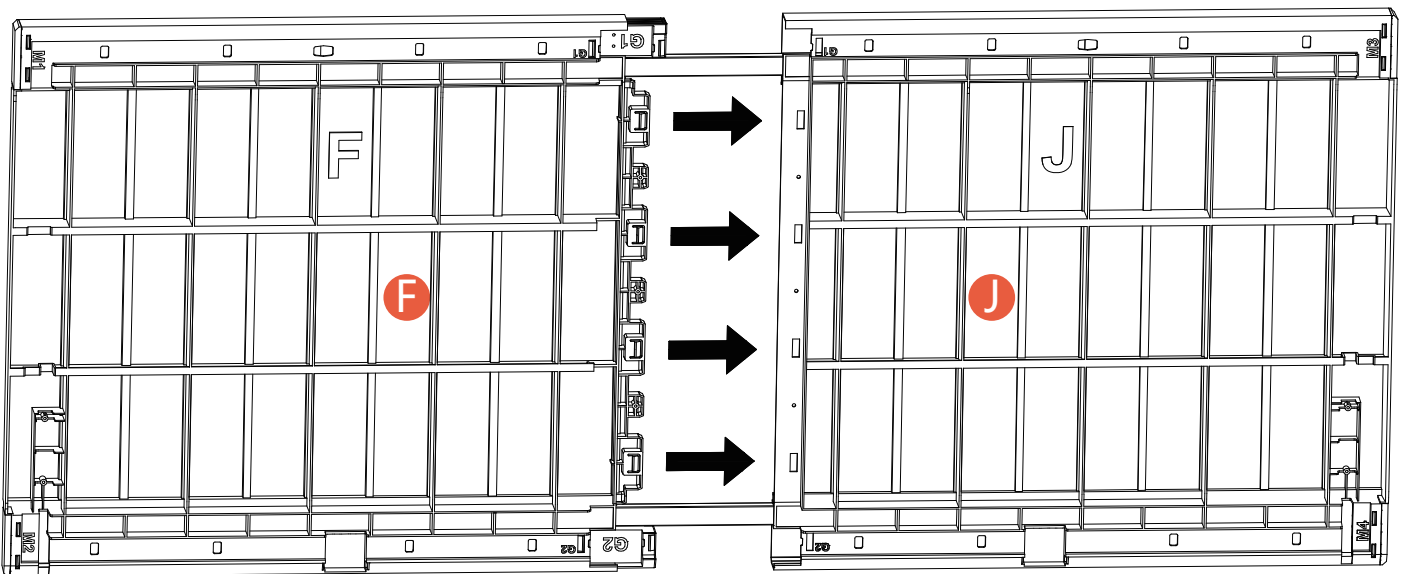


# Assembly steps

Step 5

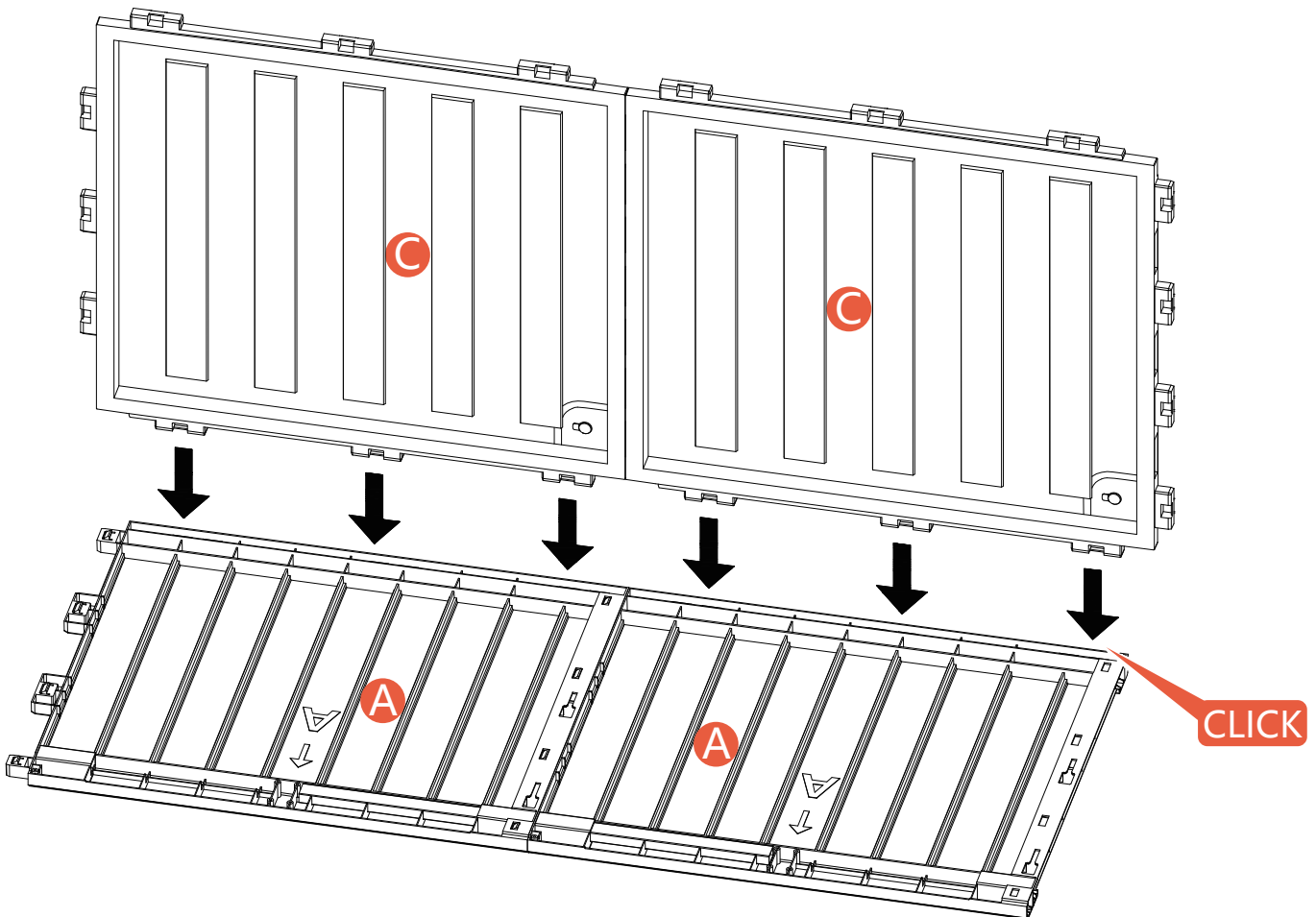


J (X1)



# Assembly steps

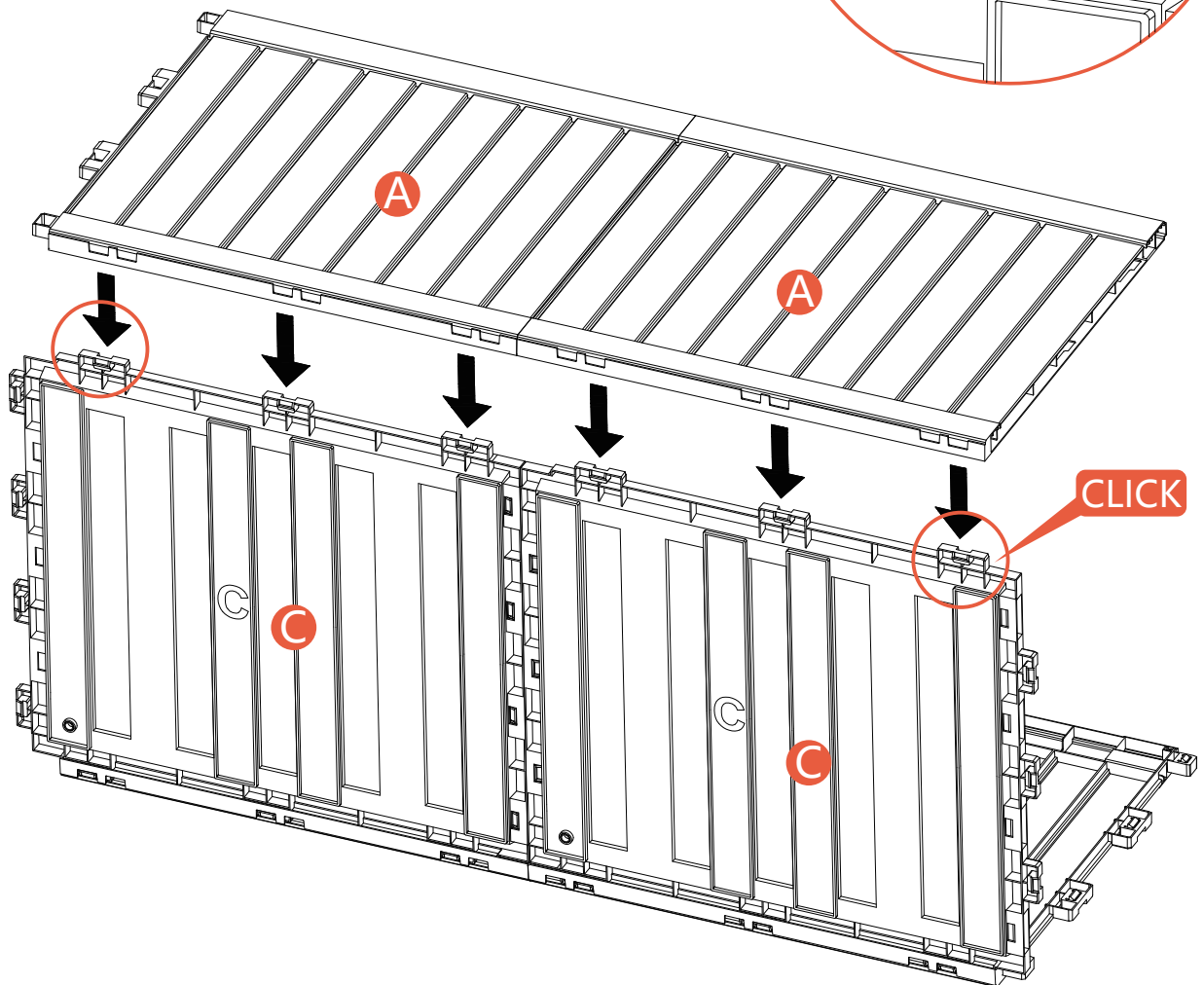
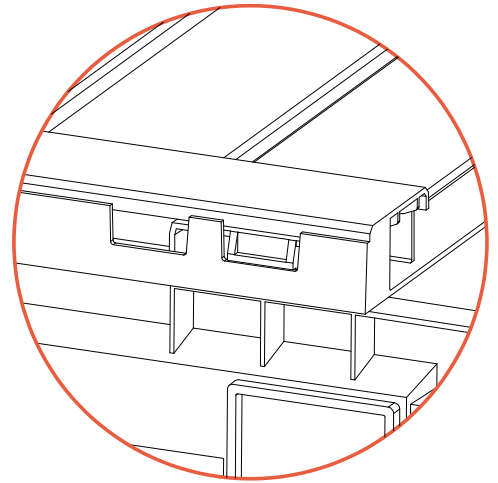
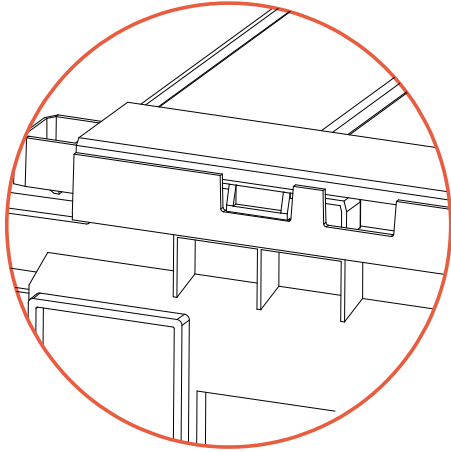
## Step 6





# Assembly steps

## Step 7

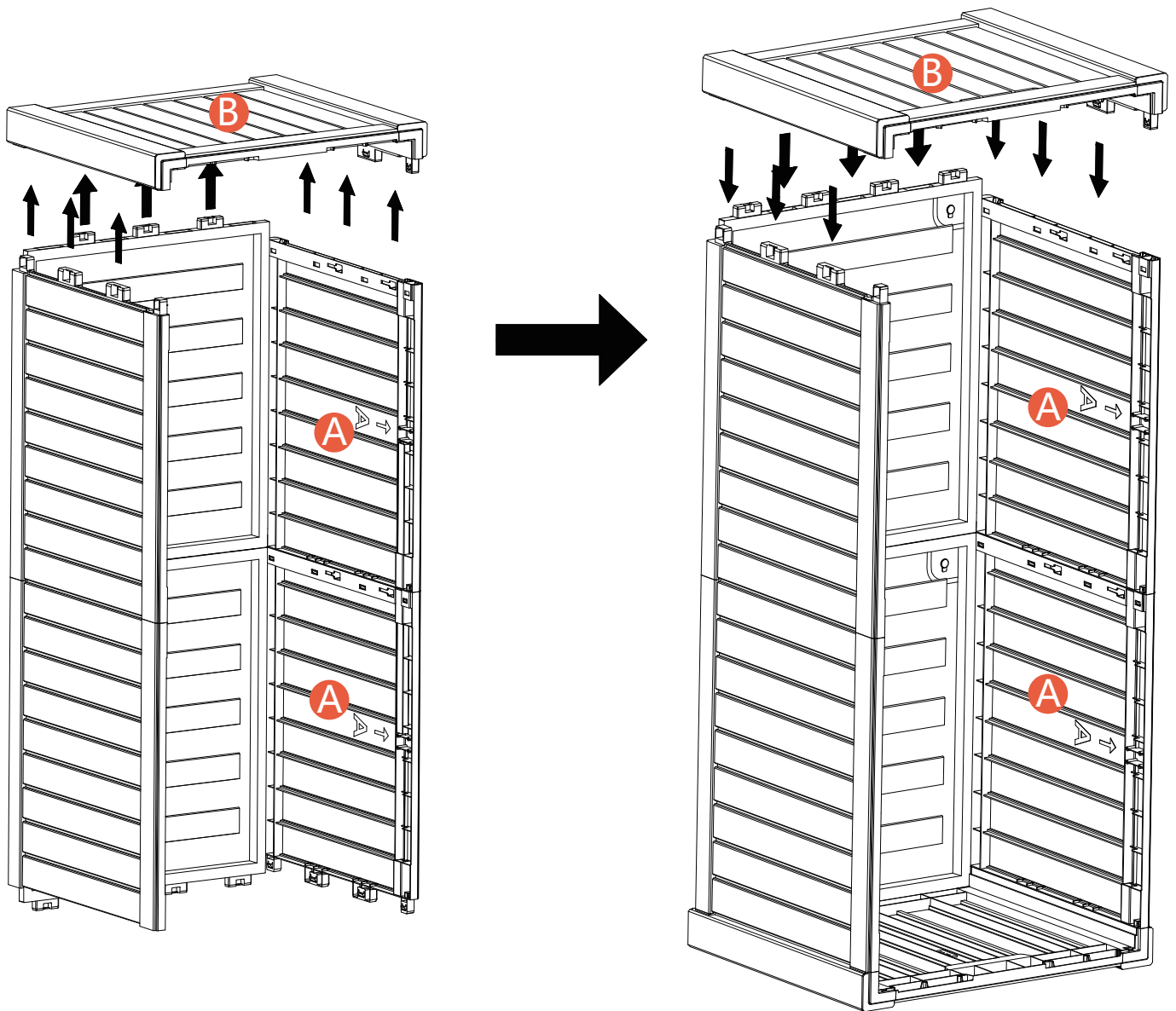


# Assembly steps

Step 8



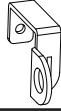
B (X2)



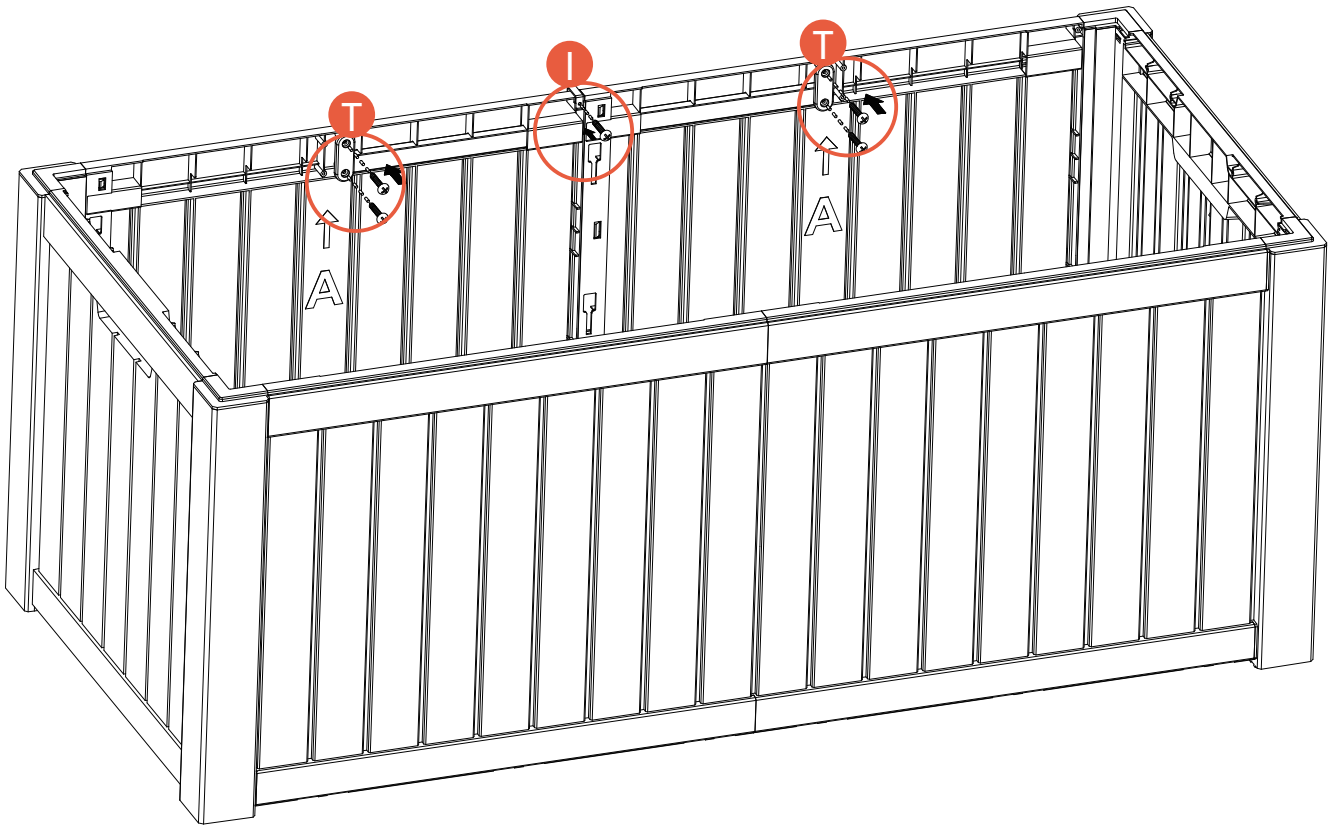
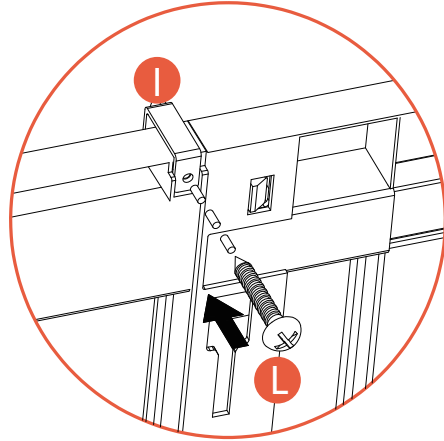
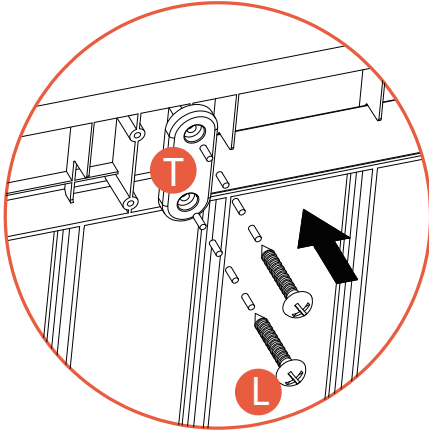
# Assembly steps

Step 9

 T (X2)

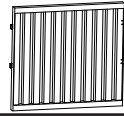
 I (X1)

 L (X5)

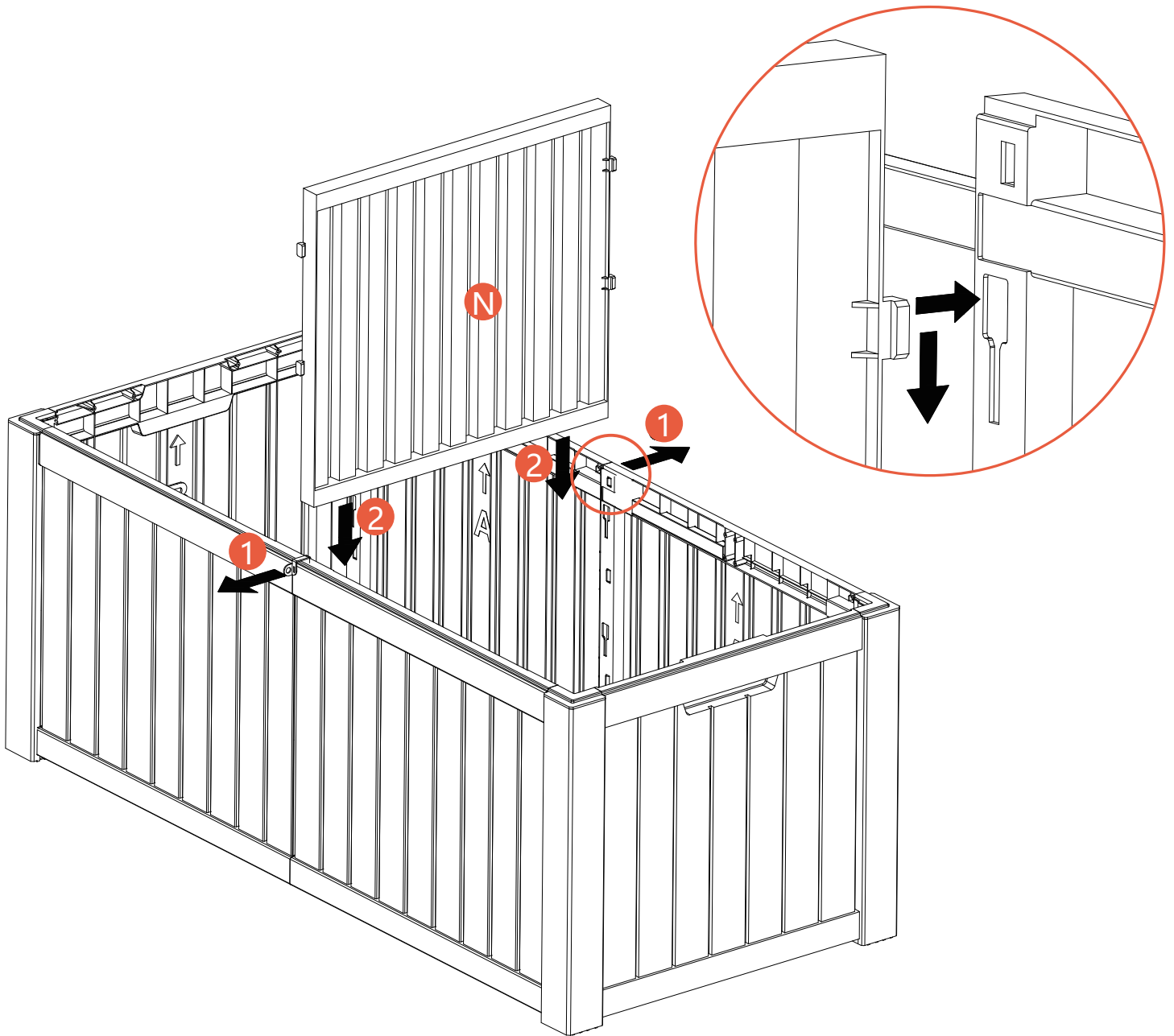


# Assembly steps

Step 10

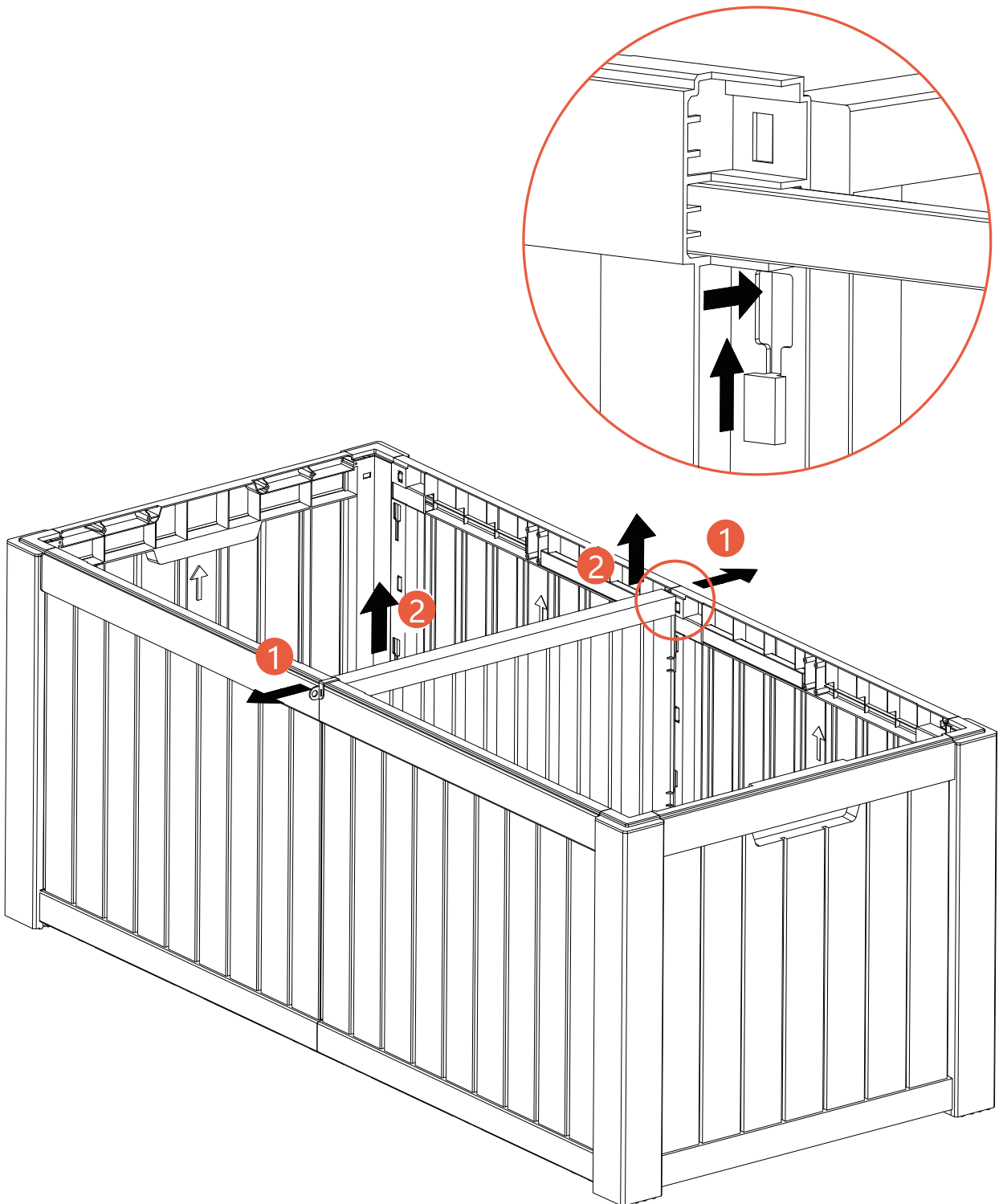


N(X1)



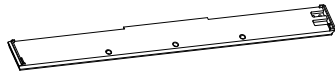
# Assembly steps

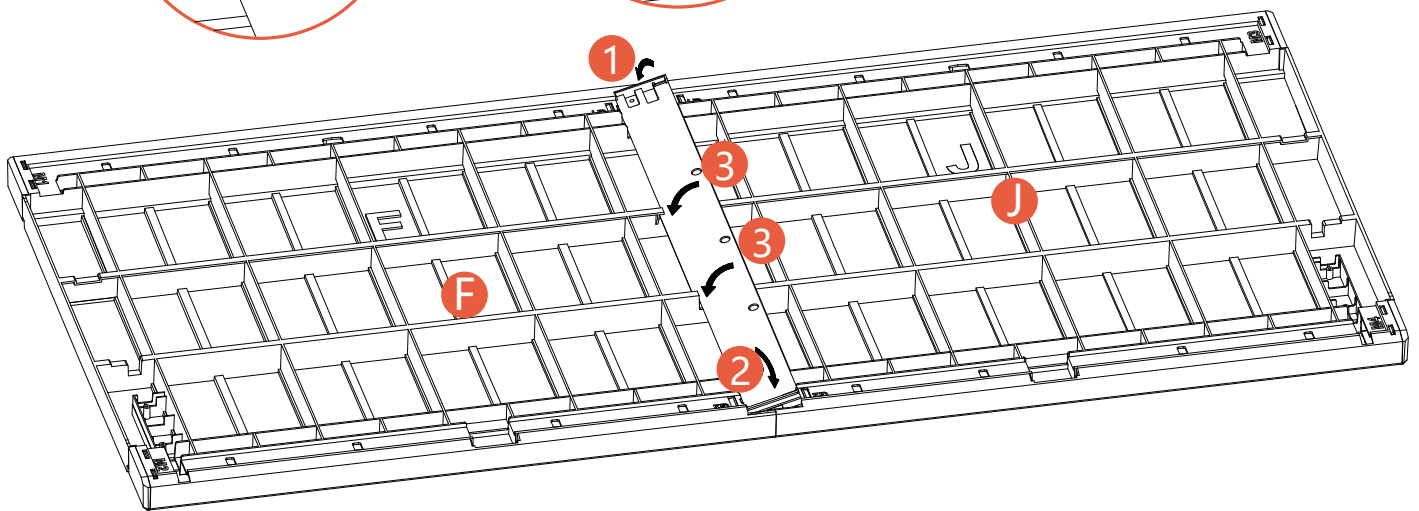
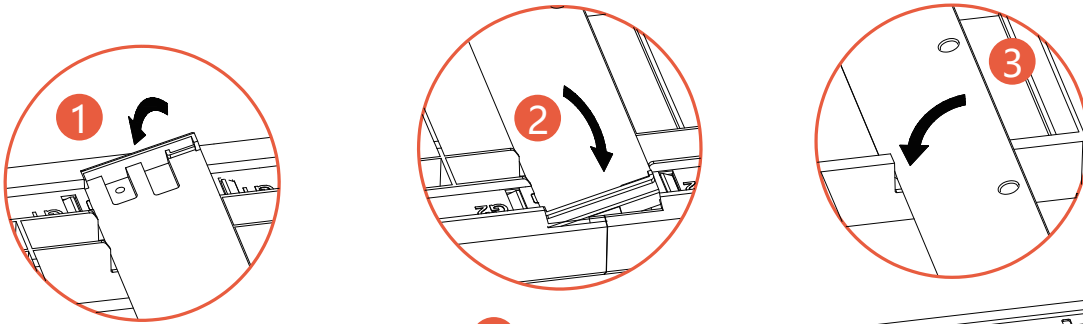
## Step 11



# Assembly steps

Step 12

 P (X1)

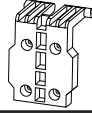


# Assembly steps

Step 13



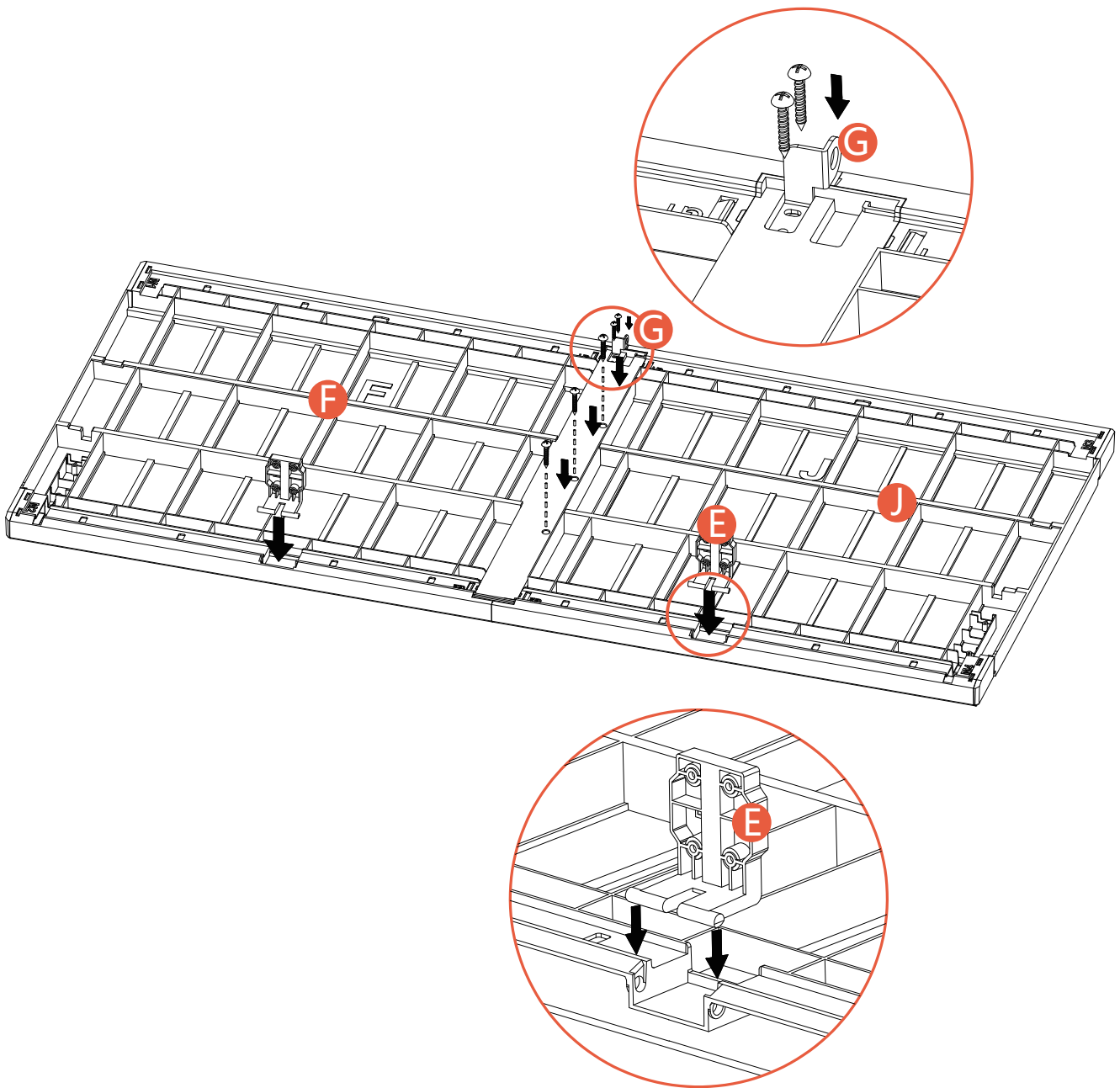
G (X1)



E (X1)



L (X5)



# Assembly steps

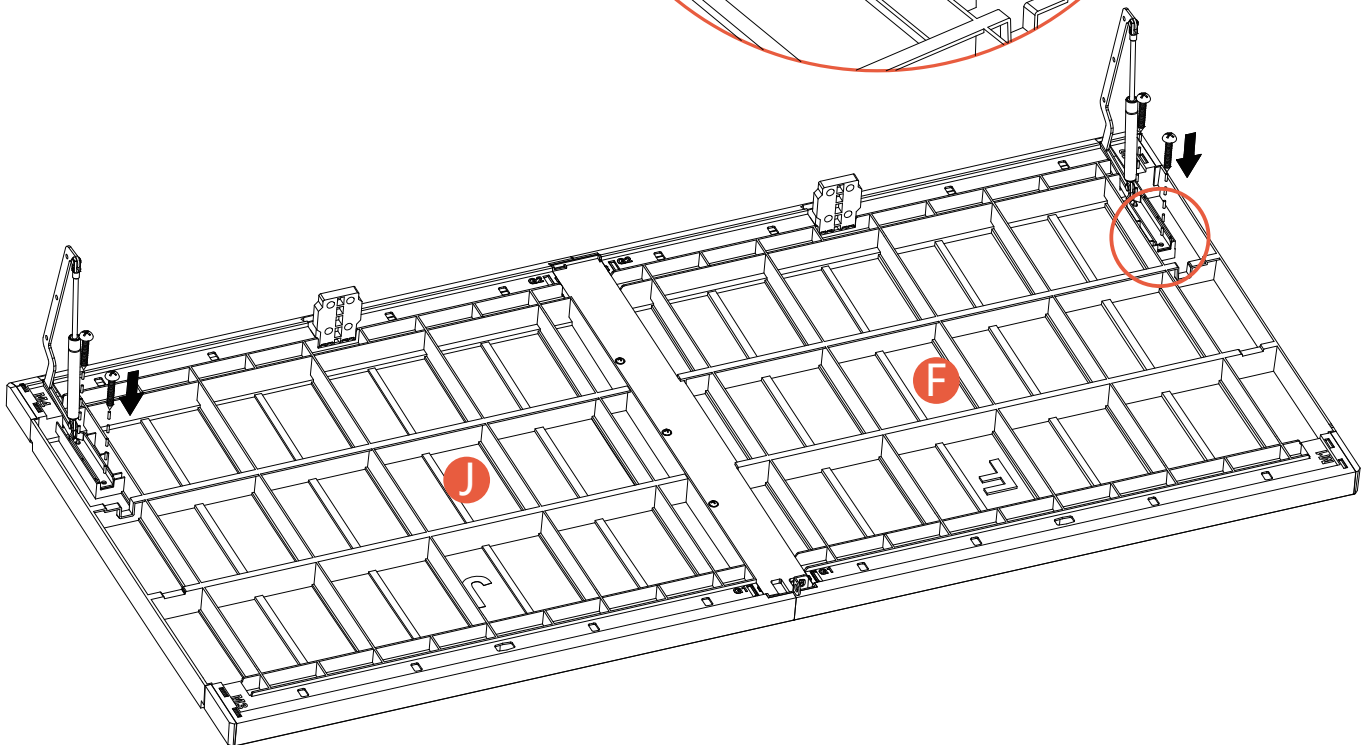
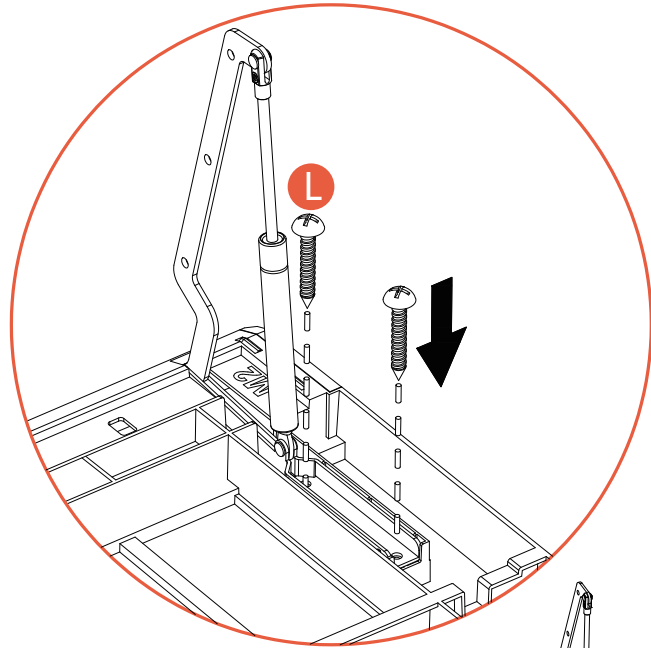
Step 14



H (X2)



L (X4)

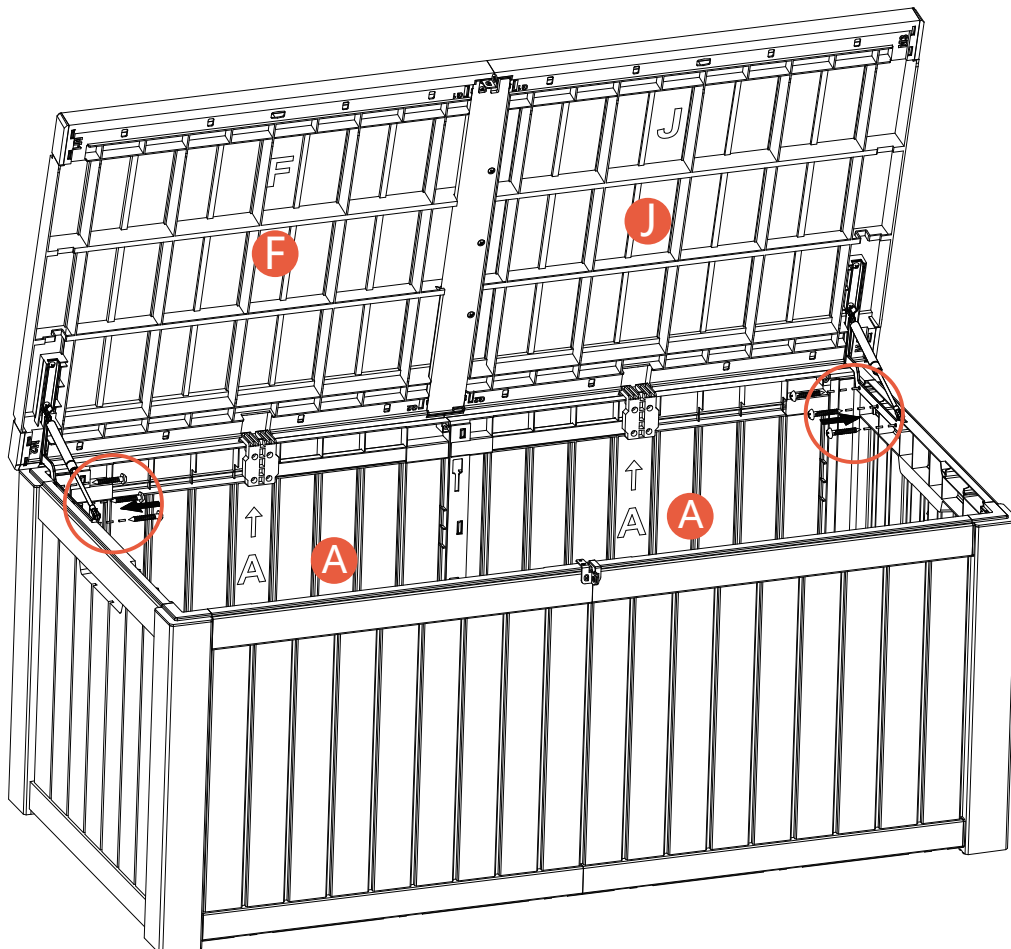
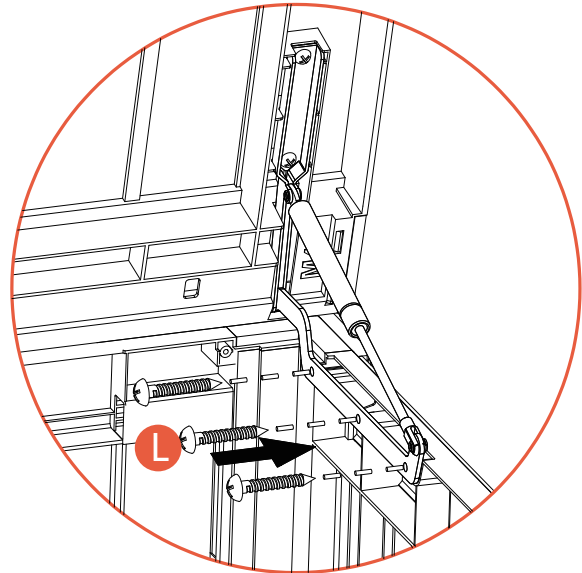




# Assembly steps

Step 15

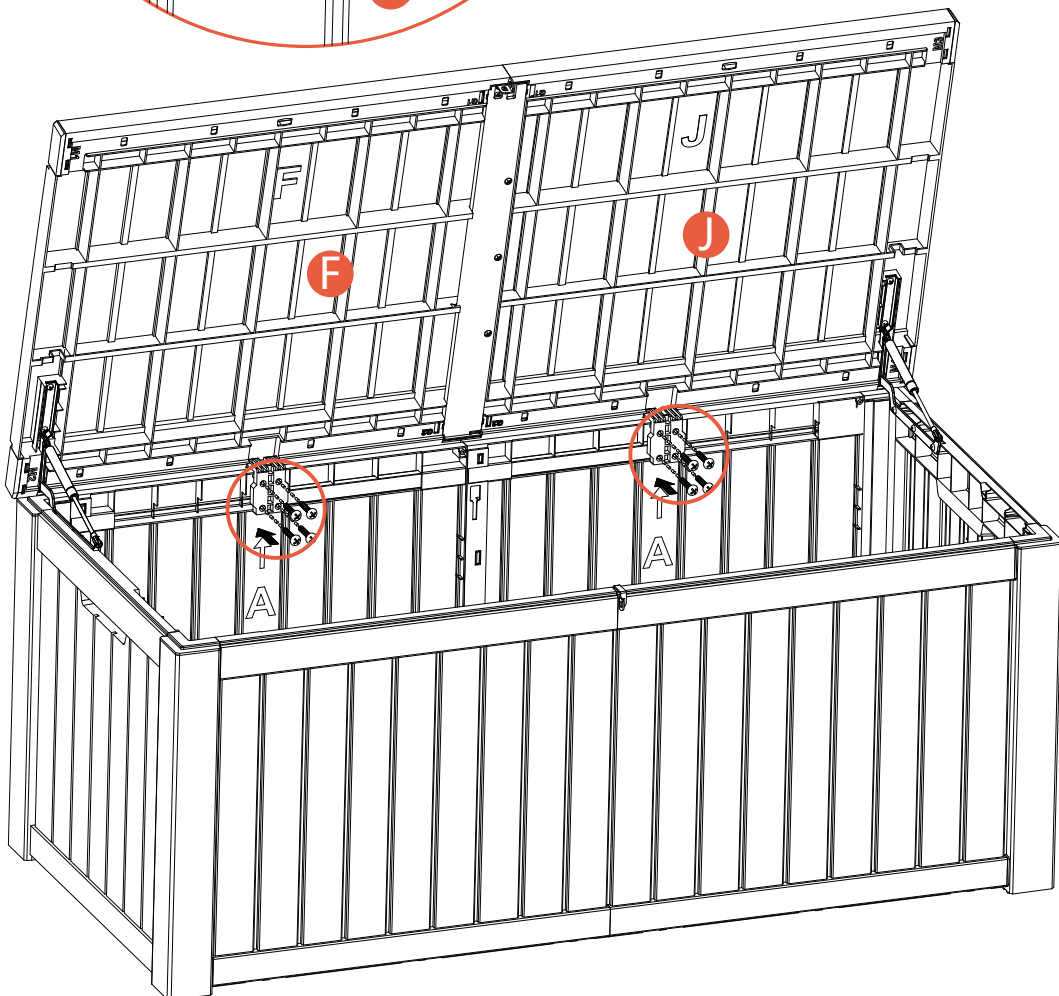
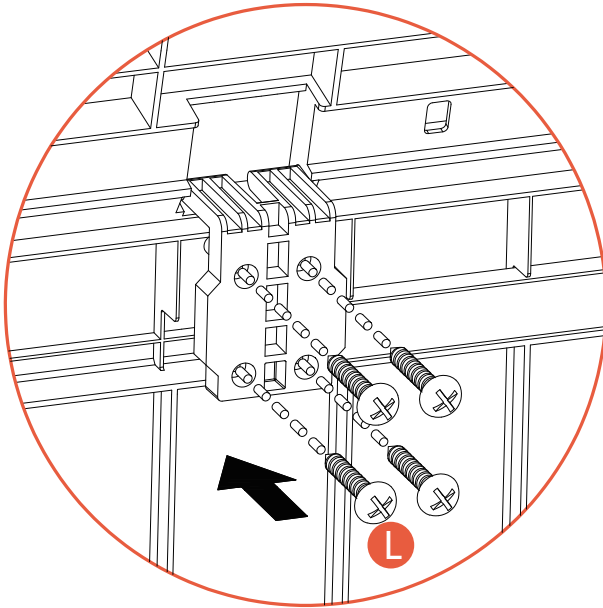
 L (X6)



# Assembly steps

Step 16

 L (X8)



# Assembly steps

## Step 17

