



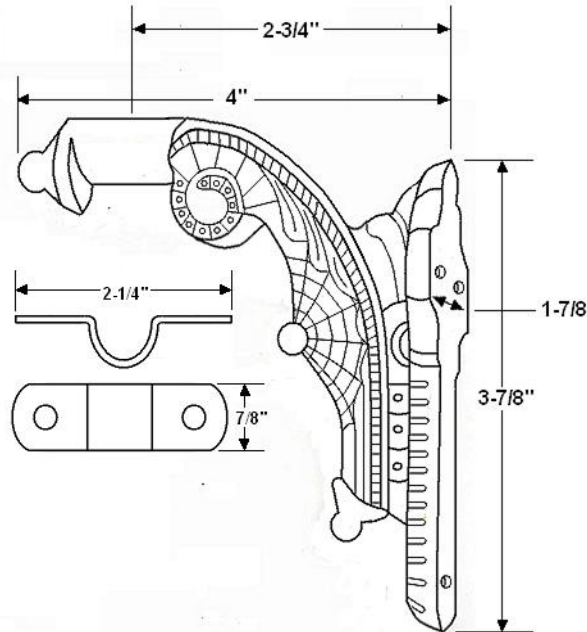
"The Special Finishes Specialist" ©

by St. Simons, Inc.

idhbrass.com

Quality Solid Brass Decorative Hardware & Bath Accessories

Installation Instructions  
Premium Grade Solid Brass  
**Spider Web Hand Rail Bracket**  
Item# 18020



**Dimensions:**

- Projection: 4"
- Overall Height: 3-7/8"
- Overall Width: 1-7/8"
- Base to Rail Center: 2-3/4"
- Weight: 12-1/2 oz.
- Screw: 1" Phillips

*Dimensions are for reference use only.  
For exact dimensions, please measure actual part.*

**Installation Instructions:**

1. Draw a line parallel to staircase at desired height.
2. Locate studs in wall and position brackets in vertical position equally spaced along the line.
3. Mark and drill pilot holes.
4. Install the bracket using the long fasteners provided.
5. Mark and drill pilot holes in handrail bracket.
6. Secure the rail clamps to the bottom of the rail with provided short screws.



**Catalog Section: F**

**Spider Web Hand Rail Bracket**

Item# 18020

Date: Rev 06/18