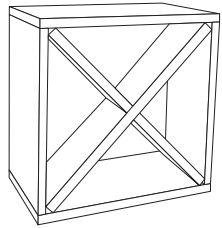


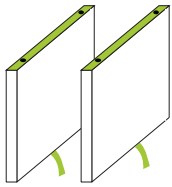
WINE CUBE 12 BOTTLES



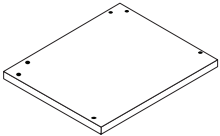
Included



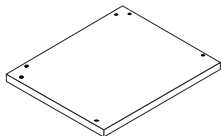
12 Pins



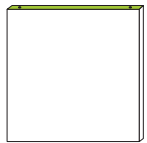
2 Vertical zBoards
adhesive on 2 sides



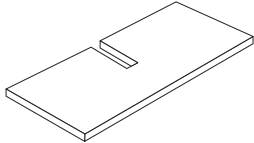
1 Top zBoard



1 Bottom zBoard



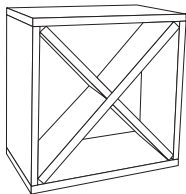
1 Back zBoard



2 Diagonal zBoards

 **WARNING: CHOKING HAZARD**
Small parts NOT for children under 3 years

Important



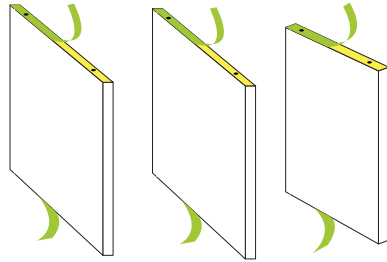
THIS SIDE UP

CAUTION placing unit on its side or back will compromise structural integrity. Use right side up.

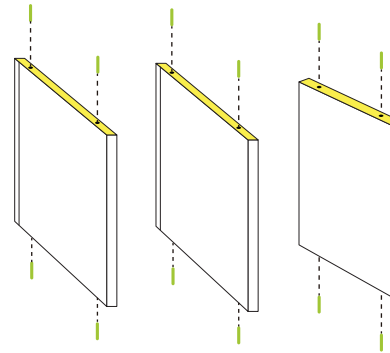


- Assemble your unit on a flat even surface
- Make sure zBoard surfaces are clean and dry

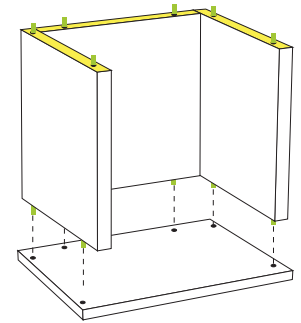
- When moving your Way Basics unit, lift from the bottom
- Indoor use only. Not in bathroom.



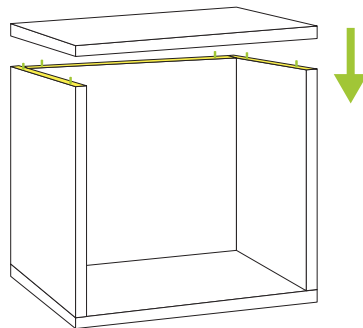
1 Carefully remove the protective layer leaving the 3M adhesive on zBoard (adhesive shown in yellow).



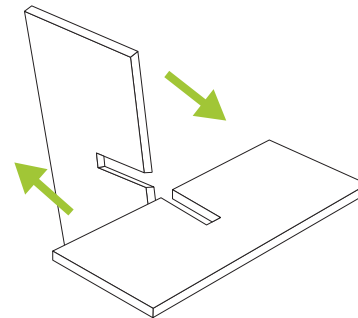
2 Place alignment pins in vertical zBoards and back zBoard.



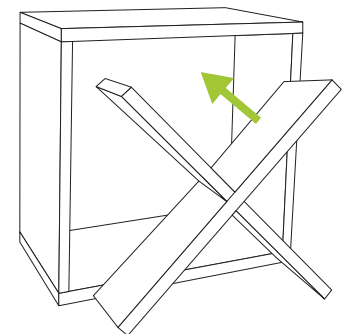
3 Align vertical zBoards and back zBoard to holes in the horizontal zBoard.



4 Align Top zBoard and press firmly to secure unit together.



5 Connect the Diagonal zBoards.



6 Position the Diagonal zBoards inside the cube as shown.

Enjoy building possibilities!

