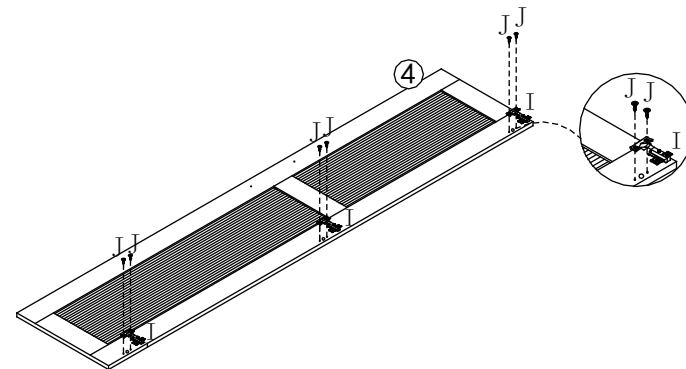
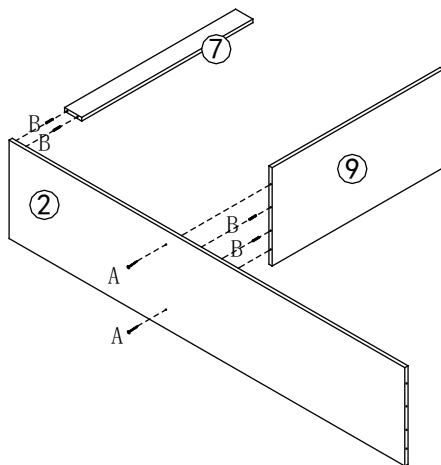
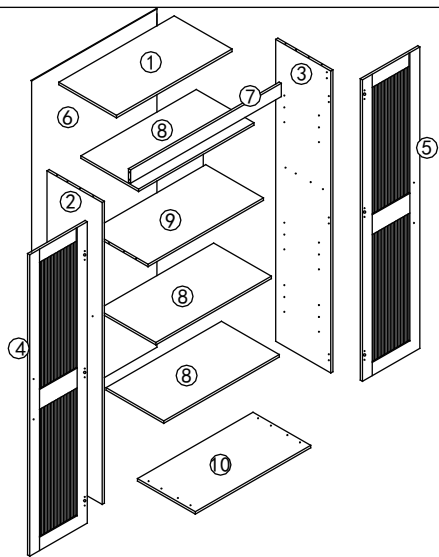


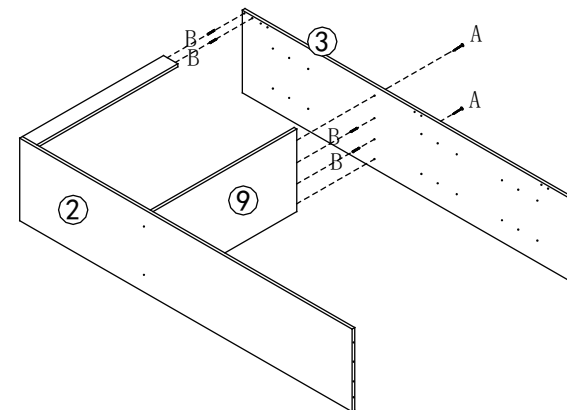
01



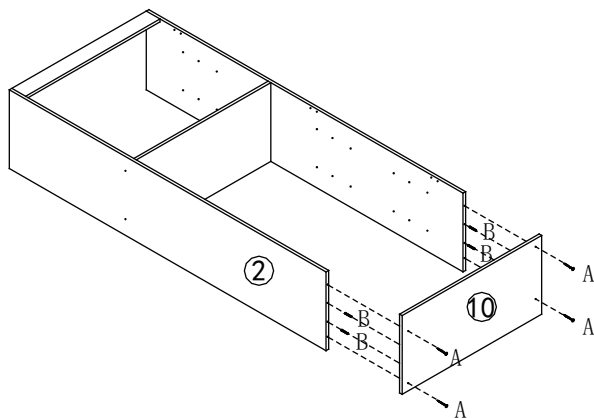
02



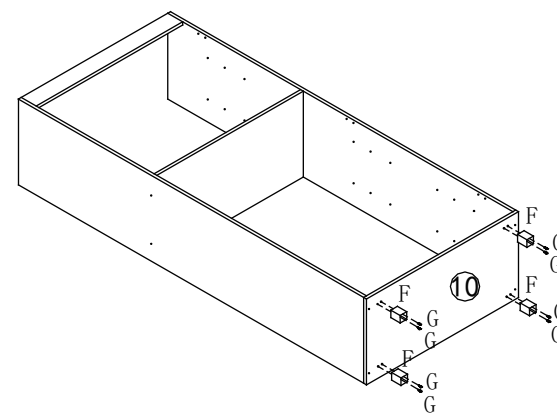
03



04

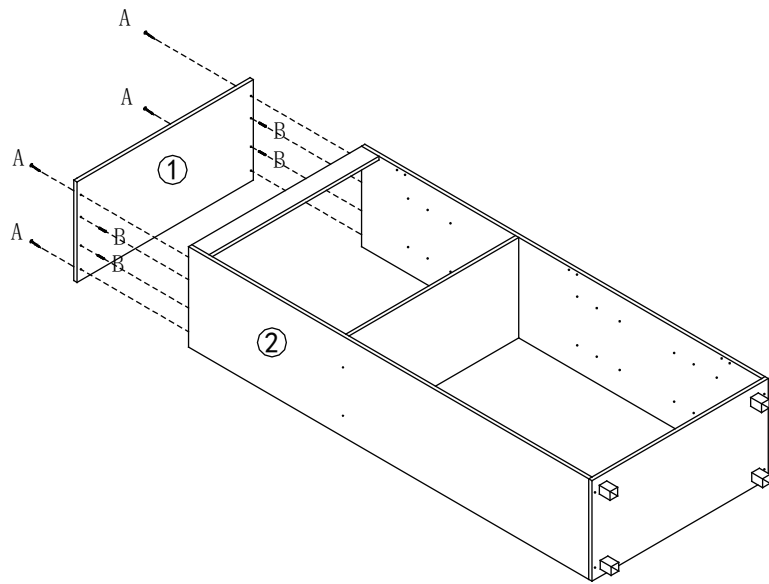


05

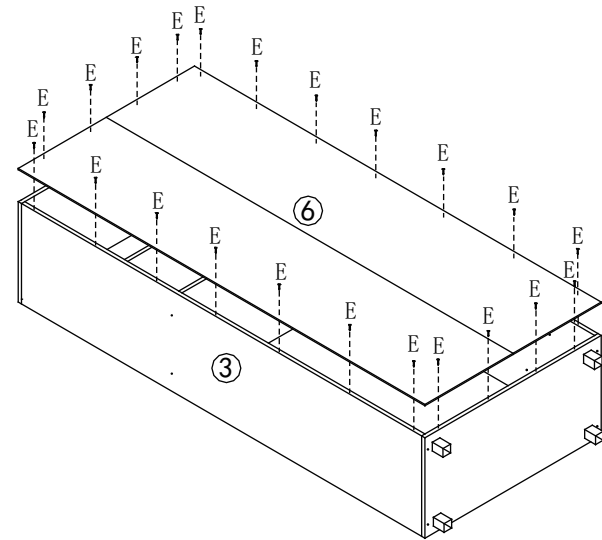


06

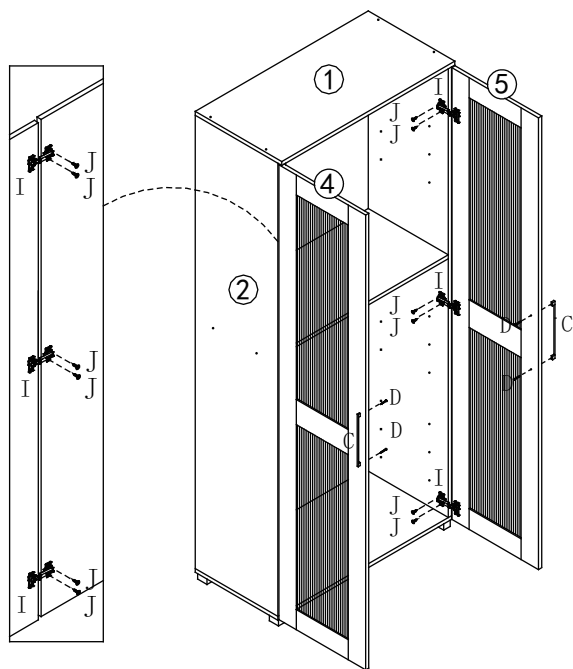
A x 12	B x 16	C x 2	D x 4	E x 22	F x 4	G x 8
H x 12	I x 6	J x 24	K x 1	L x 1	M x 1	N x 1



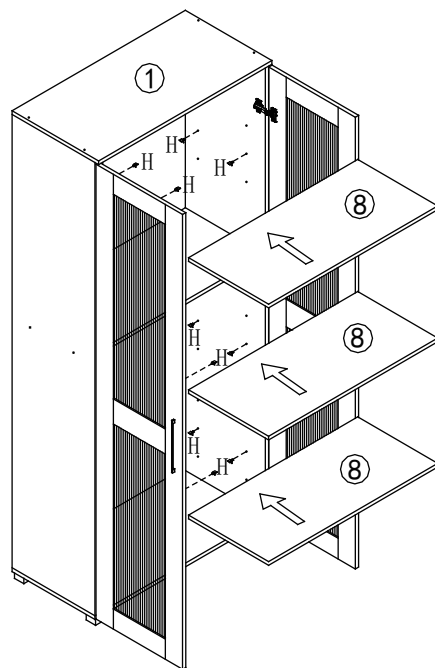
07



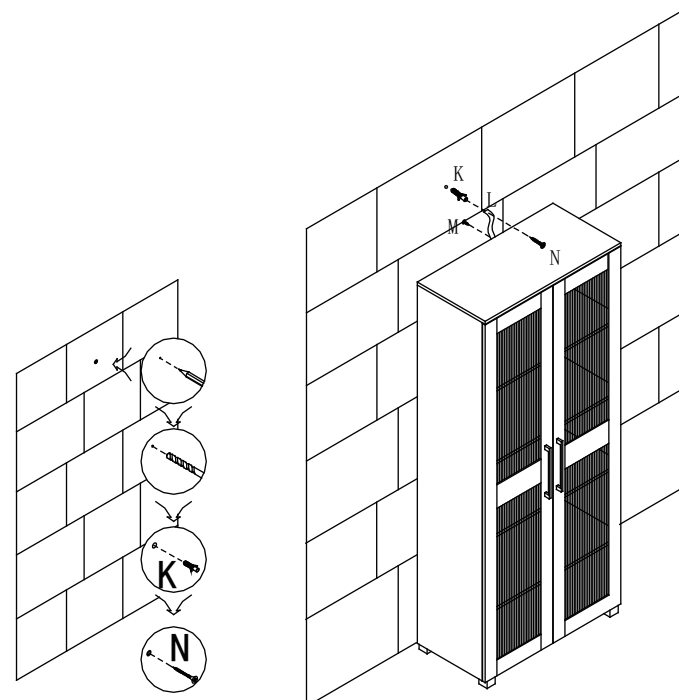
08



09



10



11



Warranty Certificate

Congratulations! You have made an excellent choice of this quality product. Our commitment to quality also includes our service. Should you, contrary to expectations, experience defects due to manufacturing faults, LDWI will provide you with a warranty against defects as follows:

Warranty

The product is guaranteed to be free from defects in workmanship and parts for a period of 12 months from the date of purchase. Defects that occur within this warranty period, under normal use and care, will be repaired, replaced or refunded at our discretion. The benefits conferred by this warranty are in addition to all rights and remedies in respect of the product that the consumer has under the Competition and Consumer Act 2010 and similar state and territory laws.

Our goods come with guarantees that cannot be excluded under the Australian Consumer Law. You are entitled to a replacement or refund for a major failure and for compensation for any other reasonably foreseeable loss or damage. You are also entitled to have the goods repaired or replaced if the goods fail to be of acceptable quality and the failure does not amount to a major failure.

Proof of Purchase

This warranty is valid for the original purchase and is not transferable. Please keep your purchase docket, tax invoice or receipt as the best proof of purchase, and as proof of date on which the purchase was made.

Normal Wear and Tear

This warranty does not cover normal wear and tear to the products or parts

Exclusions

This warranty does not cover:

- Any defects caused by an accident, misuse, abuse, improper installation or operation, lack of reasonable care, unauthorized modification, loss of parts, tampering or attempted repair by a person not authorized by the distributor.
- Any product that has not been installed, operated or maintained in accordance with the manufacturers' operating instructions provided with the product.
- Any product that has been used for purposes other than domestic use.
- Any damage caused by improper power input or improper cable connection.

LIFESTYLE DIRECT WHOLESALERS PTY LTD Customer Service

Phone: (+61) 2 4742 4863

Opening Hours 9:00 am – 4:30pm (Mon-Fri)

Address: Unit 11,83 Cox Avenue, Kingswood, NSW 2747 Australia

Email: administrator@ldwi.com.au

When making a return, please ensure the product is property packaged so as to ensure that no damage occurs to the product during transit.

Please provide the original or a copy of the proof of purchase. Also please make sure you have included an explanation of the problem.

Please note that the costs of making a warranty claim, including any return postage, will be covered by the supplier identified above.

Please note upon receiving your warranty claim, the supplier will send, via the post or email, a repair and refurbished goods or parts notice. Please provide your email address and advise the supplier, if you wish to obtain a repair and refurbished goods or parts notice via email.

AFTER SALES SUPPORT



(02) 4742 4863

Product code: L22471

10/2017





Warranty Certificate

PRODUCT NAME : Aspen Cupboard 2 Door Tall White
BRAND NAME : _____
PRODUCT CODE : L22471

NAME _____
ADDRESS _____
EMAIL _____ DAYTIME TEL NO _____
DATE OF PURCHASE _____
SERIAL NUMBER _____

We recommend that you attach a photocopy of your receipt, showing the date of purchase, to this Warranty certificate and **keep for your reference.**
In the event of a product fault, please call the Customer Service hotline. Please ensure that you have the product details (as shown on the card) at hand so that we are able to respond as quickly and efficiently as possible.

LIFESTYLE DIRECT WHOLESALERS PTY LTD Customer Service
Phone : (+61) 2 4742 4863
Opening Hours 9:00 am – 4:30pm (Mon-Fri)
Address: Unit 11,83 Cox Avenue, Kingswood, NSW 2747 Australia
Email: administrator@ldwi.com.au

AFTER SALES SUPPORT



(02) 4742 4863

Product code: L22471

10/2017

