

Galanz

Galanz Americas Limited Company Ridgefield Park, N.J. 07660

Household Wine Cooler

Model: GLW57MS2B16

Voltage/ Frequency: AC 115V, 60Hz

Current: 1.6A

Light power: 0.5W

Net weight: 90.2 lbs

Climate type: SN/N

Classification of prevent electricity: I

Foaming agent: CYCLOPENTANE

Amount of refrigerant: R600a/2.04oz

MADE IN CHINA

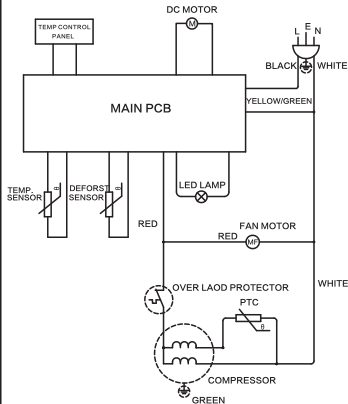
Manufactured: Jan 2020

CALL CENTER: 1-800-562-0738

FREE STANDING INSTALLATION ONLY



Serial Number:



CIRCUIT DIAGRAM