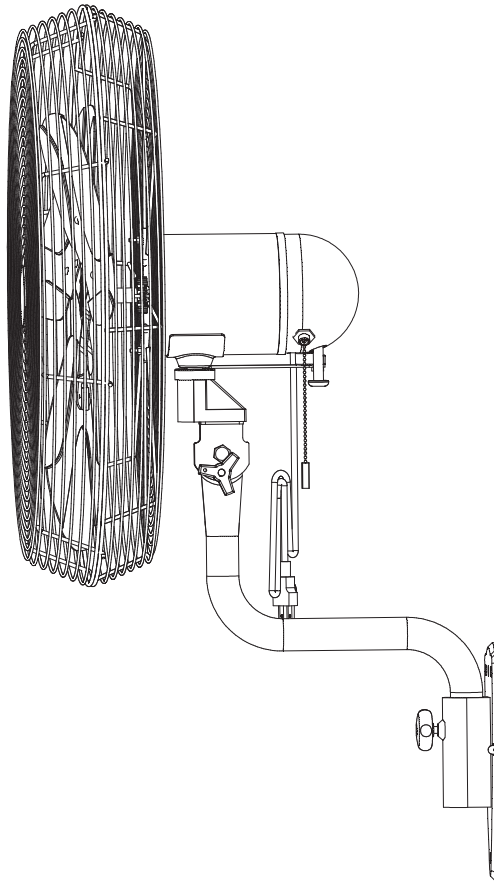


# HAMPTON BAY<sup>®</sup>

## USE AND CARE GUIDE

---

### 24 INCH BLACK OUTDOOR WALL MOUNT FAN



Questions, problems, missing parts? Before returning to the store,  
call Hampton Bay Customer Service  
8 a.m. - 7 p.m., EST, Monday-Friday, 9 a.m. - 6 p.m., EST, Saturday.

1-855-HD-HAMPTON

HAMPTONBAY.COM

---

#### THANK YOU

*We appreciate the trust and confidence you have placed in Hampton Bay through the purchase of this light kit. We strive to continually create quality products designed to enhance your home. Visit us online to see our full line of products available for your home improvement needs.*

*Thank you for choosing Hampton Bay!*

# Table of Contents

Table of Contents .....	2	Pre-Installation .....	3
Safety Information .....	2	Assembly .....	4
Warranty .....	2		

# Safety Information

## READ AND SAVE THESE INSTRUCTIONS.



**CAUTION:** Read and follow all instructions before operating fan. Do not use if any part is damaged or missing.



**WARNING:** To reduce the risk of fire or electrical shock, DO NOT use this fan with any solid state speed control device. This appliance has a 3-prong grounded plug that must be inserted into a matching outlet. To reduce the risk of electrical shock, this grounding plug must not be cut off. Where a two-prong wall outlet is encountered, it must be replaced: contact a qualified electrician. DO NOT attempt to defeat this safety feature. Use your fan only with adequate wiring that is up to code. Connect to properly grounded outlets only.



**WARNING:** Unplug from electrical supply source before cleaning. After servicing, any safety device (including grills and blades) must be reinstalled or remounted as previously installed.



**NOTE:** Installation of this equipment should be performed by a qualified person. We do not warrant any damage or injuries as a result of improper installation.



**NOTE:** This fan is suitable for wet location. Suitable for use in wet locations when installed in a GFCI Protected Branch Circuit.

- Always unplug unit for cleaning.
- Always unplug unit when not in use.
- Do not place foreign objects through guard into the blade.
- Do not operate without fan guards properly locked.
- Do not use this fan with an extension cord.
- Do not place fan or any parts near an open flame, cooking or other heating appliance.
- Do not operate this unit with a damaged cord or plug, especially when this unit has been malfunctioned, dropped or damaged.

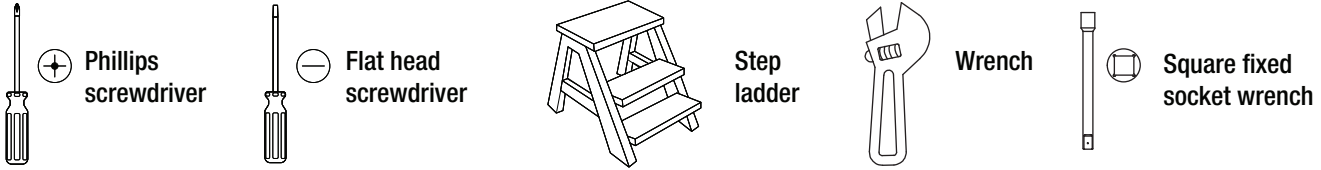
# Warranty

We warrant the fan motor to be free from defects in workmanship and material present at time of shipment from the factory for a period of lifetime after the date of purchase by the original purchaser. We also warrant that all other fan parts, excluding any glass or acrylic blades, to be free from defects in workmanship and material at the time of shipment from the factory for a period of two years after the date of purchase by the original purchaser. We agree to correct such defects without charge or at our option replace with a comparable or superior model if the product is returned. To obtain warranty service, you must present a copy of the receipt as proof of purchase. All costs of removing and reinstalling the product are your responsibility. Damage to any part such as by accident, misuse, improper installation or by affixing any accessories, is not covered by this warranty. Because of varying climatic conditions this warranty does not cover any changes in brass finish, including rusting, pitting, corroding, tarnishing or peeling. Brass finishes of this type give their longest useful life when protected from varying weather conditions. A certain amount of "wobble" is normal and should not be considered a defect. Servicing performed by unauthorized persons shall render the warranty invalid. There is no other express warranty. We hereby disclaim any and all warranties, including but not limited to those of merchantability and fitness for a particular purpose to the extent permitted by law. The duration of any implied warranty which cannot be disclaimed is limited to the time period as specified in the express warranty. Some states do not allow limitation on how long an implied warranty lasts, so the above limitation may not apply to you. The retailer shall not be liable for incidental, consequential, or special damages arising out of or in connection with product use or performance except as may otherwise be accorded by law. Some states do not allow the exclusion of incidental or consequential damages, so the above exclusion or limitation may not apply to you. This warranty gives specific legal rights, and you may also have other rights which vary from state to state. This warranty supersedes all prior warranties. Shipping costs for any return of product as part of a claim on the warranty must be paid by the customer.

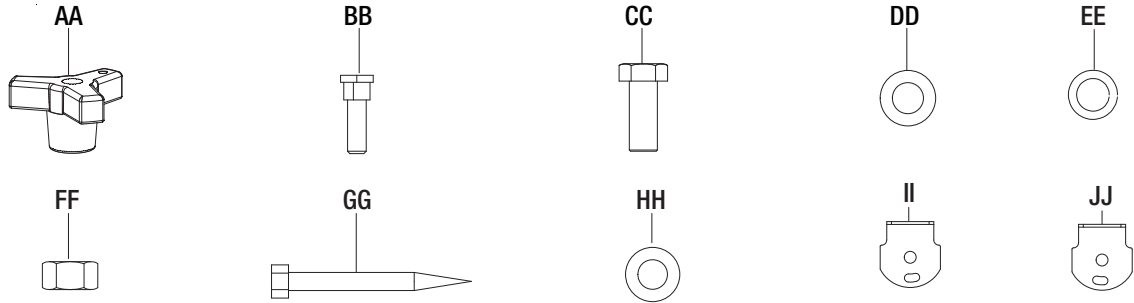
Contact the Customer Service Team at 1-855-HD-HAMPTON or visit [www.HamptonBay.com](http://www.HamptonBay.com).

# Pre-Installation

## TOOLS REQUIRED



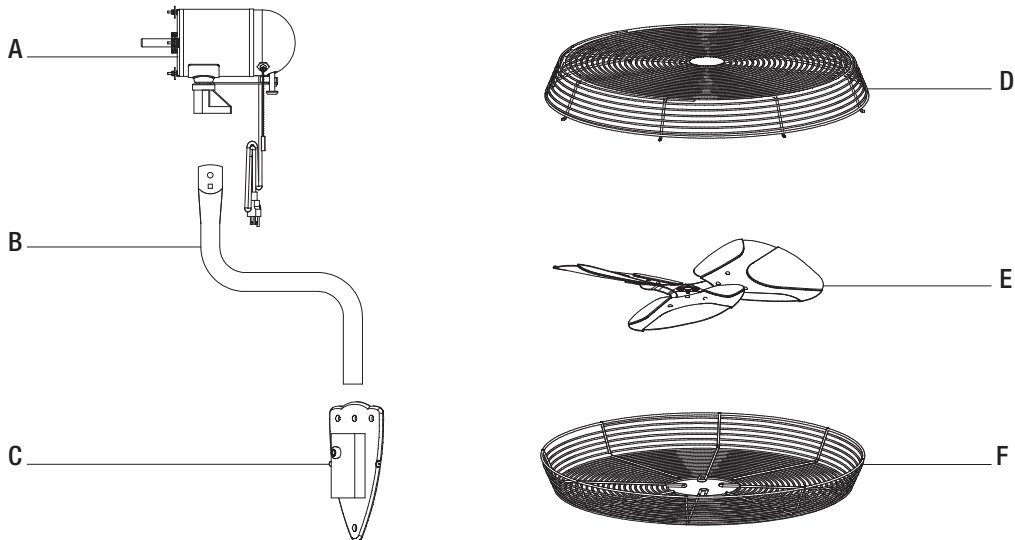
## HARDWARE INCLUDED



Part	Description	Quantity
AA	Knob	1
BB	Hexagonal screw	1
CC	Hexagonal threaded screw	1
DD	Flat washer	1
EE	Spring washer	1

Part	Description	Quantity
FF	Hexagonal nut	1
GG	Screw	4
HH	Flat washer	4
II	Left flange	1
JJ	Right flange	1

## PACKAGE CONTENTS



Part	Description	Quantity
A	Fan motor	1
B	Mounting pipe	1
C	Wall mounting bracket	1

Part	Description	Quantity
D	Front grill	1
E	Blade	1
F	Rear grill	1

# Assembly Instructions

## 1 Installing the wall mounting bracket to wall



**CAUTION:** If you are going to attach the fan assembly (A) to a wood stud or wood post, the stud or wood post must be wide enough and thick enough to sustain the wall mounting bracket (C) and the weight of the fan assembly (A).

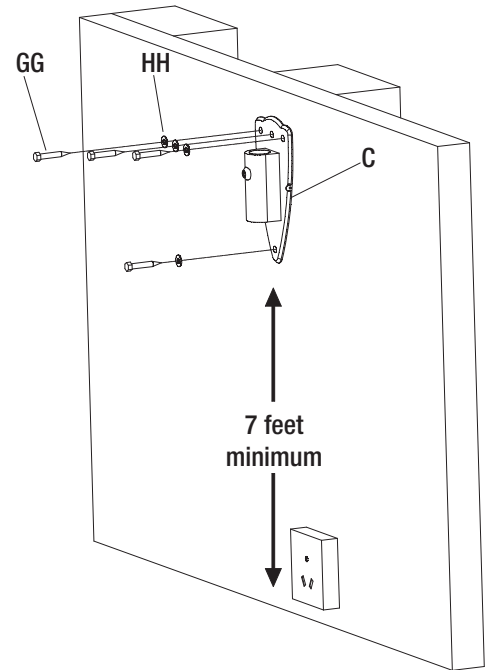


**WARNING:** To reduce the risk of the fan falling, use all four mounting holes in the wall mounting bracket (C) when installing.



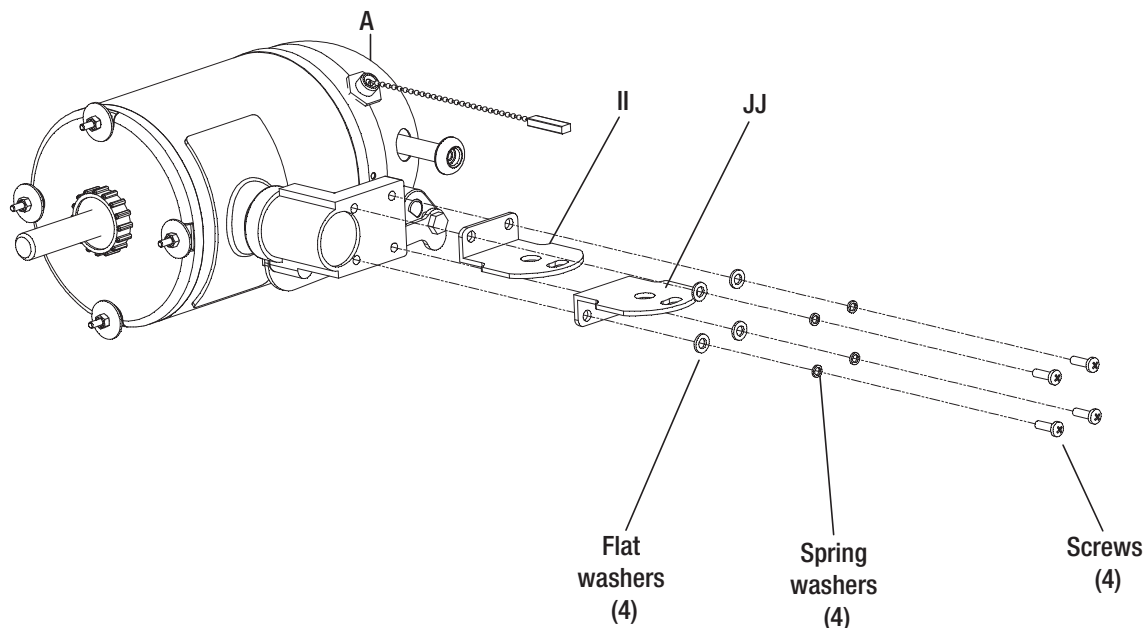
**WARNING:** It is very important that you use the proper hardware when installing the wall mounting bracket (C) as this will support the fan assembly (A).

- Determine the approximate position of where you want the fan to be located on the wall. Then, locate the stud in the wall. Position the wall mounting bracket (C) on wood stud or wood post and mark the location of the four holes using a pencil or a marker (not included).
- Use 3/32-in. drill bit (not included) to drill pilot holes at marked locations. Then, install wall mounting bracket (C) to the wall using the wood screws (GG) and washers (HH).



## 2 Attaching flanges to fan motor

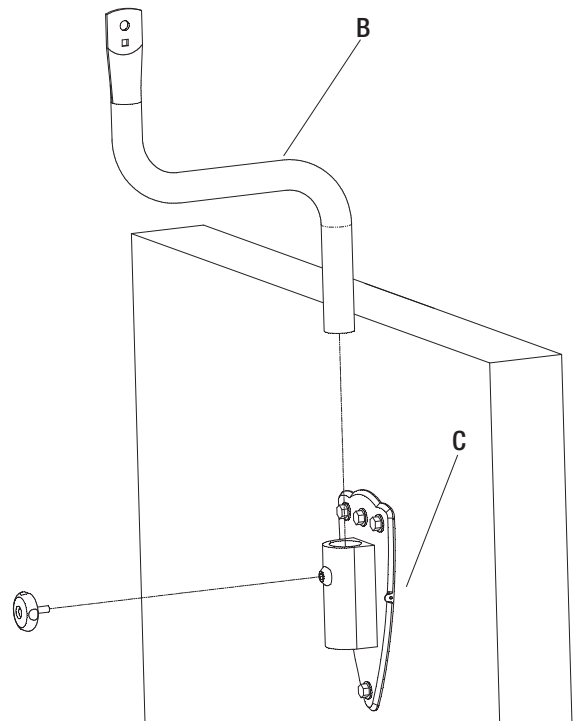
- Remove all the screws, spring washers and flat washers, then install the left flange (II) and right flange (JJ) accordingly.



## Assembly Instructions (continued)

### 3 Installing the mounting pipe and base assembly

- Put one end of the pipe (B) into the slot in the base of the mounting bracket (C).
- Carefully insert the position knob and tighten it to hold the pipe (B).

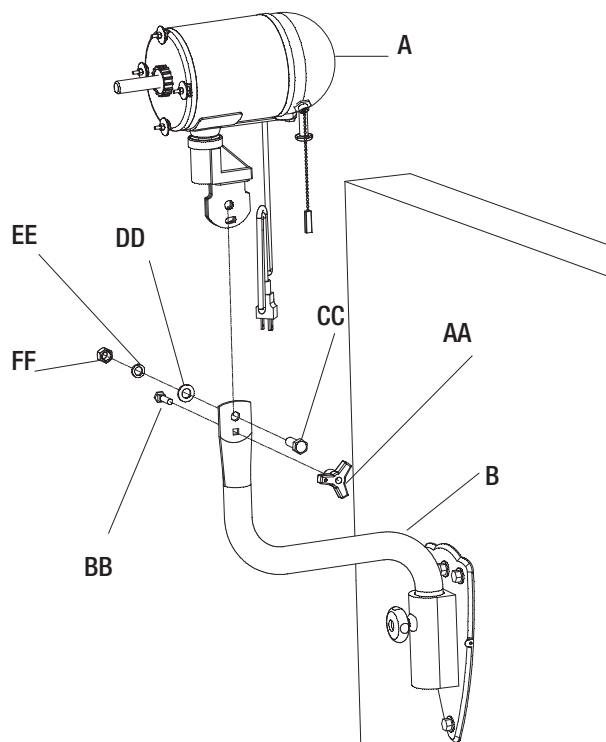


### 4 Wall mount bracket / Motor assembly



**CAUTION:** Be sure to secure the knobs.

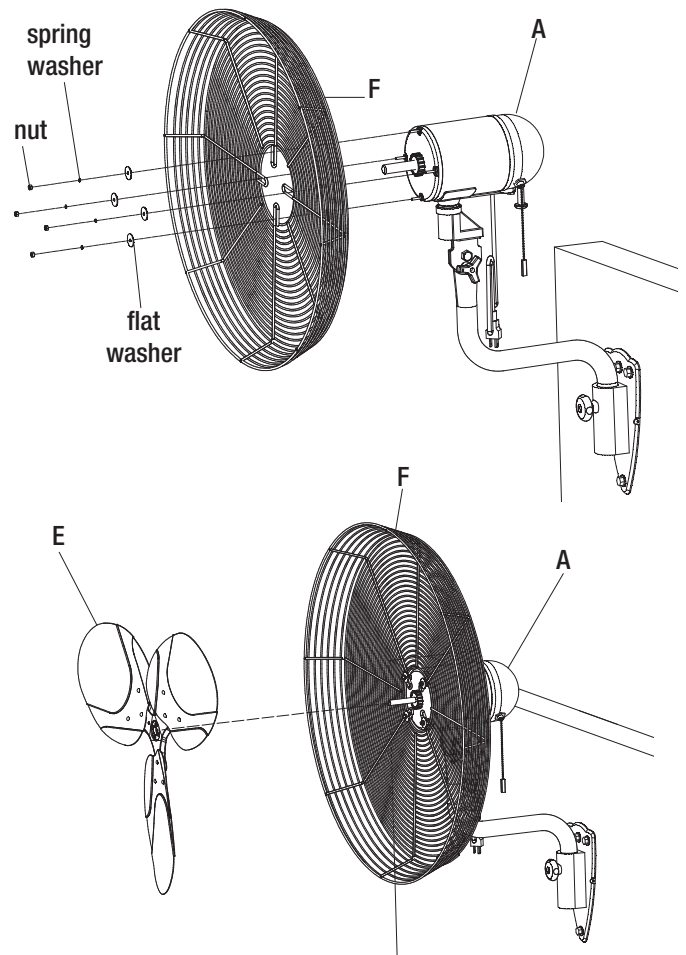
- Remove the hexagonal screw (BB), spring washer (EE) and nut (FF) from the motor (A).
- Align the holes on the pipe (B) with the holes in the motor flange on the motor assembly.
- Insert the hexagonal screw (BB) and replace the washers (EE) and nut (FF) removed in step 1.
- Adjust the tilt to the desired position and tighten the pivot knob (AA) to set the angle.
- Tighten the position bolt and nut.



# Assembly Instructions (continued)

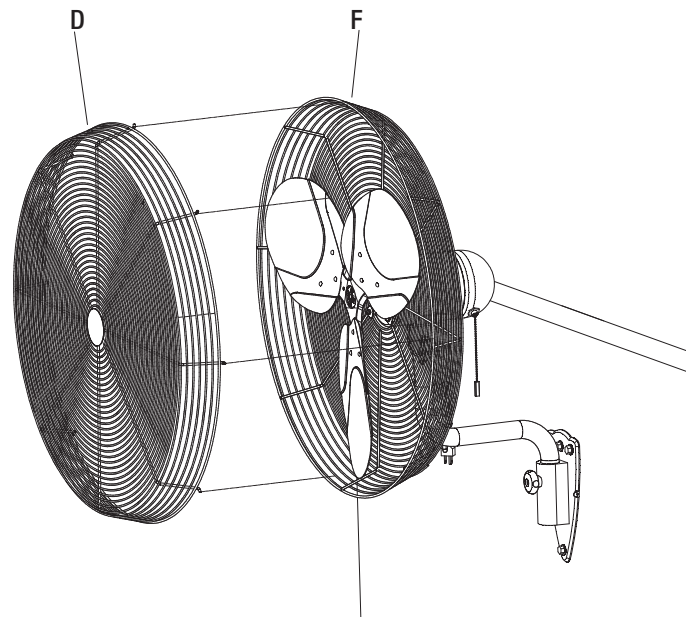
## 5 Rear grill and blade assembly

- Remove the four nuts, spring washers and flat washers from the bolts around the motor shaft.
- Carefully slide the rear grill (F) over the bolts.
- Secure with the flat washers, spring washers and nuts removed in Step 1.
- Carefully slide the blade assembly (E) over the shaft and align the inner hex head driver provided with the slot on the shaft of the motor (A).
- Tighten the blade assembly (E) with the screws using a Philips-head screwdriver (not provided).



## 6 Front grill assembly

- Hang the front grill (D) on the top rib of the rear grill (F) by utilizing the hook.
- Snap the front grill into the rear grill to secure.



# Operating Instructions

## Adjust airflow upward or downward

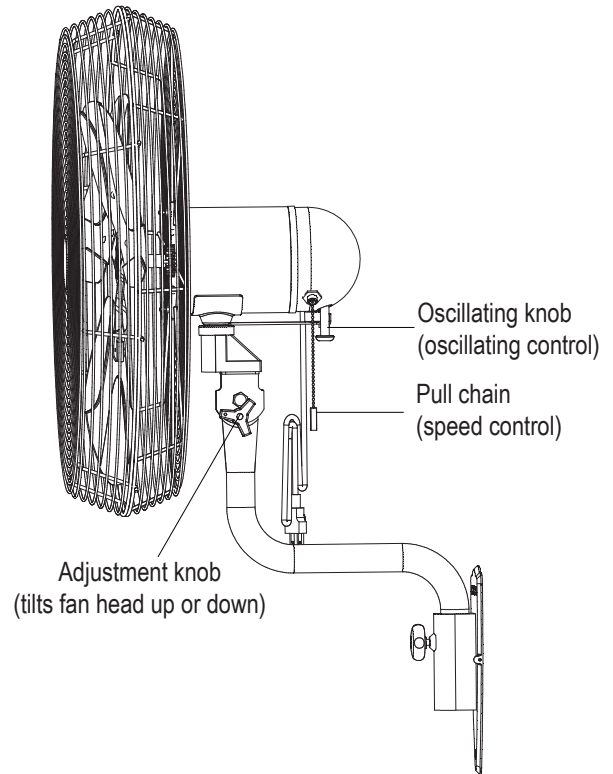
- Loosen (but do not remove) the adjustment knob by turning it counterclockwise.
- Tilt the head of the fan to the desired angle.
- Retighten adjustment knob once desired angle is set.

## Speed control

- Pull gently on chain to change the setting on the speed control to the desired setting; low, medium or high.

## Oscillating control

- Pull the oscillating knob down to enable the oscillating feature. Push the knob back up to disable the feature.



# Cleaning

- Use soft damp cloth then wipe with dry cloth. Do not use harmful cleaners. Do not bend the blades.

# HAMPTON BAY®

Questions, problems, missing parts? Before returning to the store,  
call Hampton Bay Customer Service  
8 a.m. - 7 p.m., EST, Monday-Friday, 9 a.m. - 6 p.m., EST, Saturday

**1-855-HD-HAMPTON**

**HAMPTONBAY.COM**

Retain this manual for future use.

Net weight: 38.59 lbs (17.5 kgs)  
Gross weight: X.XX lbs (X.X kgs) PENDING  
Cubic Feet: 5.07 ft<sup>3</sup>