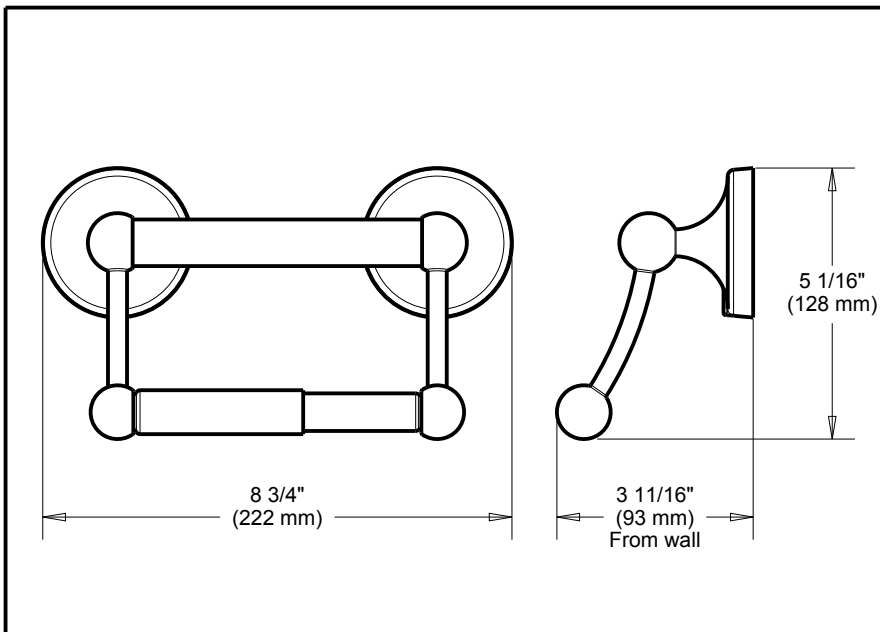


ACCESSORIES

- Traditional™ Bath Safety Collection
- Toilet Paper Holder with Assist Bar

Submitted Model No.: _____

Specific Features: _____



STANDARD SPECIFICATIONS:

- Wood blocking is preferable behind all wall surfaces. If wood blocking is not available, the supplied fasteners are recommended.
- Mounting hardware and mounting template included with product.
- 7/8" diameter assist bar.
- Maximum 300 lbs. as an assist bar on indicated surface.
- Pivoting tissue holder for easy loading.

WARRANTY

- Lifetime Faucet and Finish Limited Warranty to the original consumer purchaser to be free from defects in material and workmanship.
- 5 Year Limited Warranty for usage in all industrial, commercial and business applications.

