

CLOSETMAID® ShelfTrack Elite Combo Kit

Installation Tips

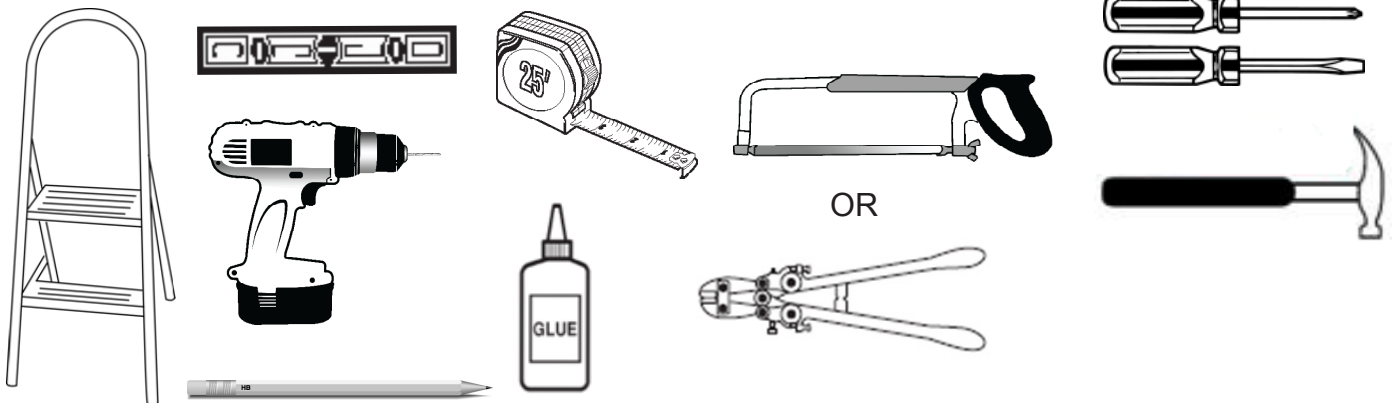
8 Ft. Dark Cherry Closet

33020

12/20



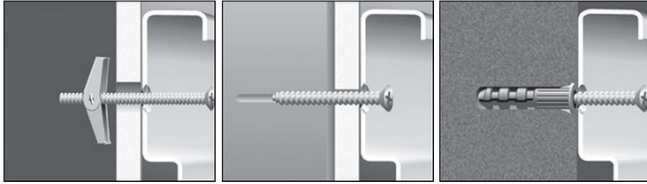
What you will need:



Installation Instructions

1. Use the Right Hardware

Select the hardware that is right for your wall type:



Drywall

Drill 1/2" holes and secure to the wall with toggle bolts.

Studs

Secure to the wall with #12 x 2" pan head screws at stud locations.

Concrete

Drill 1/4" holes. Insert #12 wall anchors and secure to the wall with #12 x 2" pan head screws.

2. Hang Track Location

Track can be installed at any height. However, for maximum adjustability and strongest installation, install Track flush to ceiling and screw into wood header behind wall board. Stud installation is recommended whenever possible for the strongest installation.

3. Determine Length and Spacing of Standards



Standards are available in several lengths, depending on the number of shelves you want and the spacing between the shelves. The closer the Standards are placed together, the stronger the installation. Standards should be spaced no more than 24" apart, and no more than 4" from the end of the shelf.

4. Securing Standards



Each Standard must be secured to the wall with one screw at the closest hole to the center of the Standard. When using toggle bolts, remove toggle, put bolt through Standard and re-attach toggle to bolt before placing Standard on track.

5. Attaching Brackets

Attach brackets at desired shelf height.

Note: Always match bracket size to shelving depth except when using Shelf & Rod™ shelving. For this type of shelving, always use 12" brackets.

6. Cutting Shelving, Closet Rods, and Hang Tracks

Wire shelving can be cut using a bolt cutter or hacksaw. Closet Rods can be cut using a pipe cutter (recommended) or a hacksaw. Hang Tracks can be cut with a hacksaw.

7. Shelf Caps/Closet Rod Caps

Shelf Caps should be placed on the cut ends of shelving to protect clothing. Closet Rod Caps should be placed on the ends of Closet Rods to keep hangers in place.

7. Follow instructions for installation of ShelfTrack® Elite item:

Included in product box. Instructions can also be found on HD.com.



Parts List



ShelfTrack Elite 9 Slot Organizer



ShelfTrack 30 in. Standard



ShelfTrack 60 in. Standard



ShelfTrack 84 in. Standard



ShelfTrack Elite 2-Cube Kit Organizer



ShelfTrack 40 in. Hang Track



ShelfTrack 12 in. Bracket



ShelfTrack Elite 8 in. Deep Drawer



ShelfTrack 80 in. Hang Track



SuperSlide 8ft. W x 12 in. D Wire Shelf



SuperSlide Closet Rod Support



ShelfTrack Elite 3-Shelf Kit Organizer



6 ft. Wood Front Kit for Wire Shelving



SuperSlide 4 ft. W x 12 in. D Wire Shelf



Wood Front Hardware Pack



SuperSlide Adjustable Hang Rod 4-6 ft.



ShelfTrack Mounting Hardware (10 Pack)



ShelfTrack Wall Anchors (5 Pack)



SuperSlide Adjustable Hang Rod 2-4 ft.



SuperSlide Closet Rod End Caps



Small End Caps for Wire Shelving

