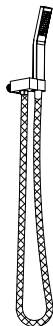
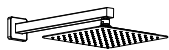
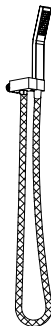


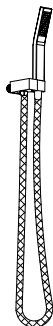
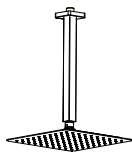
# Installation Manual



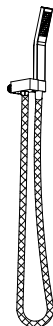
Model:  
93102  
98102  
97202



Model:  
93103  
98103  
97203



Model:  
95102  
98105  
97205



Model:  
93107  
98107  
97207

# INDEX

1. CUPC Certification. ....	P01-02
2. Installation Preparation & Maintenance. ....	P03
3. 93103-10/12 .....	P04-06
4. 98103-10/12 .....	P07-09
5. 97203-10/12 .....	P10-12
6. 93102-10/12 .....	P13-15
7. 98102-10/12 .....	P16-18
8. 97202-10/12 .....	P19-21
9. 95102-10/12 .....	P22-24
10. 98105-10/12 .....	P25-27
11. 97205-10/12 .....	P28-30
12. 93107 .....	P31-33
13. 97207 .....	P34-36



# IAPMO RESEARCH AND TESTING, INC.

## CERTIFICATE OF LISTING



Issued To: JIANGMEN MEITUO SANITARY WARE CO LTD

Effective Date: May 2023

File Number: 14172

Product: Plumbing Fixture Fittings

Void After: May 2028

This certificate is not evidence of current listing. To verify listing status, visit the IAPMO IRT Product Listing Directory at [pld.iapmo.org](http://pld.iapmo.org)

### Identification:

Plumbing supply fittings shall be marked with the manufacturer's recognized name, trademark, or other mark or, in the case of private labeling, the name, trademark or other mark of the customer for whom the fitting was manufactured. The marking shall be accomplished by use of a permanent mark or by placing a permanent label on the product. Markings on plumbing supply fittings shall be visible after installation.

Showers and hand-held showers shall be marked with the manufacturer's specified maximum flow rate, in L/min and gpm.

Kitchen, lavatory, and metering faucets shall be marked with the manufacturer's specified maximum flow rate, in L/min and gpm, or L/cycle and gpc.

Single-handle and single-control bath and shower mixing valves shall have their temperature control settings identified alphabetically, numerically, or graphically.

High-efficiency commercial pre-rinse spray valves shall be marked with the manufacturer's specified maximum flow rate, in L/min (gpm).

Listed products shall bear the cUPC® certification mark.

Packaging for plumbing supply fittings shall be marked with the manufacturer's name, trademark, or other mark as well as the model number or, in the case of private labeling, the name, trademark, or mark of the customer for whom the fitting was manufactured as well as the model number.

Packaging for showers and hand-held showers shall be marked with the manufacturer's specified maximum flow rate and either the manufacturer's specified minimum flow rate or the statement "For use with automatic compensating valves rated at xxx L/min (yyy gpm) or less", where xxx L/min (yyy gpm) is the manufacturer's specified minimum flow rate.

Packaging for kitchen, lavatory, and metering faucets shall be marked with the manufacturer's specified maximum flow rate, in L/min and gpm or L/cycle and gpc.

### Characteristics:

Fittings may include lavatory, sink, bath & shower, lawn and sediment faucets. Plumbing fixture fittings to be installed in accordance with the manufacturer's instructions and the requirements of the latest edition of the Uniform Plumbing Code and National Plumbing Code of Canada.

Products listed on this certificate have been tested by an IAPMO R&T recognized laboratory. This recognition has been granted based upon the laboratory's compliance to the applicable requirements of ISO/IEC 17025.

## 1. Installation Precautions

1. When you open the product packing, please check the product and accessories at first. If there is any discrepancy, please contact the company or our distributor immediately.
2. The hot and cold water supply pipe of the faucet must be properly connected. When facing the front of the faucet, the hot water supply is on the left and cold water supply is on the right. Incorrect connection will cause permanent damage to the cartridge.
3. If the accessories to be changed without affecting the use, we will not make a prior notice.
4. The impurities in the water supply pipe must be cleared before installation to avoid blockage.
5. The water pressure of the faucet is 20 PSI -100 PSI (including cold water and hot water pressure) Applicable water temperature range: 40°F-170°F.

## 2. Preparation before installation

1. Please read the installation manual carefully before installation.
2. Installation work must be performed by a professional installer.
3. Installation tool.



## 3. Product reparation

If the cartridge is worn out which cause leakage, please turn off the water source. Remove the handle, panel, and decorative cover in sequence, remove the gland with a wrench, then take out the cartridge and copper sleeve.

Repair or replace the new cartridge, then install it again in sequence.

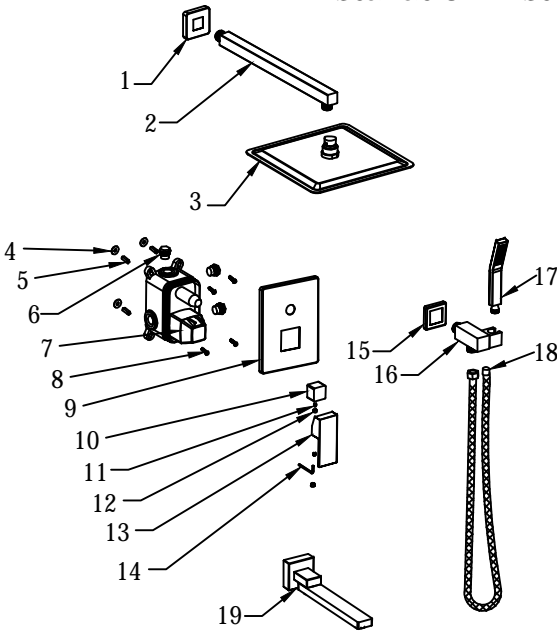
## 4. Clearance and Maintenance

In order to keep the faucet appearance smooth and good performance, please follow the below steps to clean and maintain the faucet.

1. Clean with water and dry with a soft cotton cloth.
2. Use a mild liquid and a colorless glass cleaner to remove surface dirt and scale, also you can use the cleaner without grinding function.
3. Do not use detergents, polishing tools, abrasive cloth, paper towels or scrapers to clean the faucet.
4. Do not use acid cleaners, insoluble granular detergents, soaps, etc to clean the faucet.

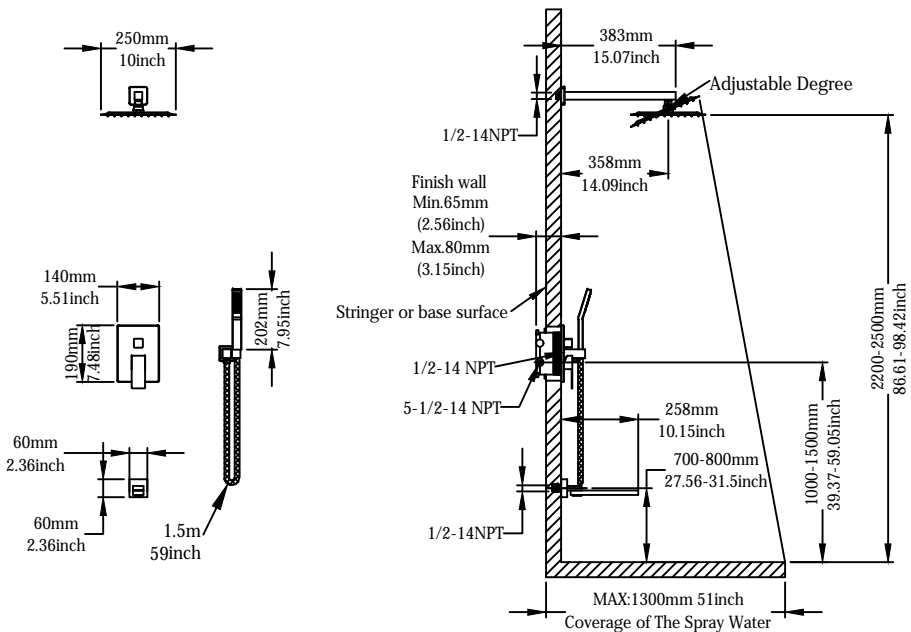
# Model:93103-10/12

## Installation Instruction 1/3



No	Description	QTY
1	Decorative Cover	1
2	Shower Arm	1
3	Shower Head	1
4	Spacer	4
5	Expansion Screw Sleeve	4
6	Plug	3
7	Rough-in Valve	1
8	Screws	4
9	Panel	1
10	Diverter Knob	1
11	Hexagonal Screws	2
12	Decorative Hats	2
13	On/off Handle	1
14	Hexagon Wrench	1
15	Decorative Cover	1
16	Shower Holder	1
17	Handle Shower	1
18	Shower Hose	1
19	Rotatable Bathtub Spout	1

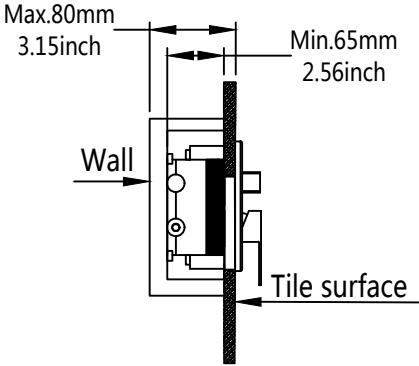
### Installation Instruction



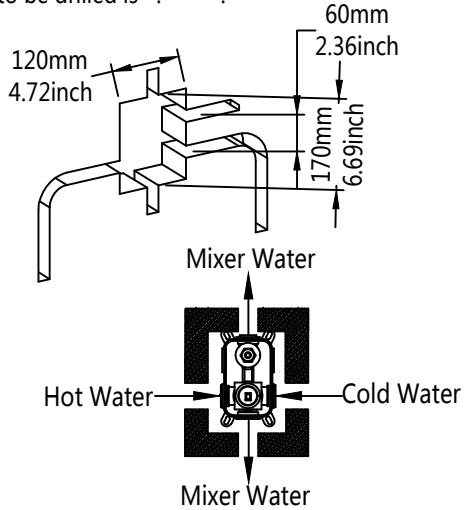
# Model:93103-10/12

## Installation Instruction 2/3

The depth of the embedded box is . . . .  
 It's better to drill the depth of 2.75" for blank wall

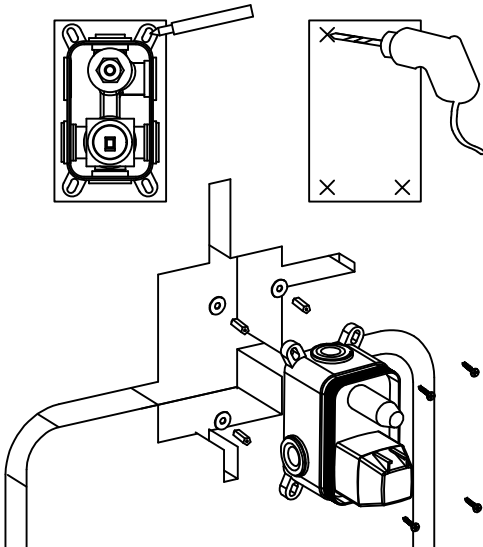


1.The size of the embedded box that needs to be drilled is . . . \* .

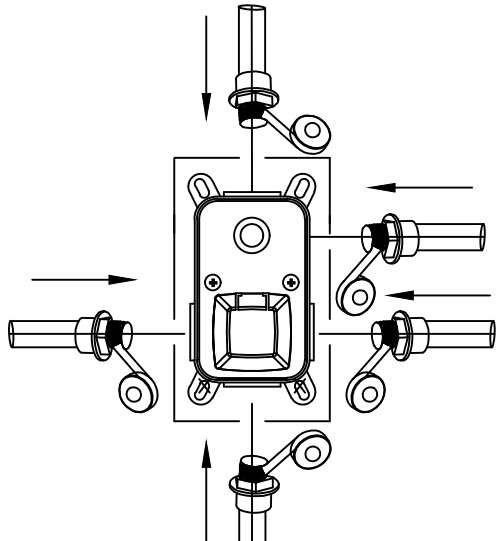


### Installation of Rough-in Valve

Stick the valve to the wall, mark the position of four wall mounting holes with a pencil, then install the valve in the hole.



Wrap the sealing tape around the thread of the water inlet pipe and screw it on.

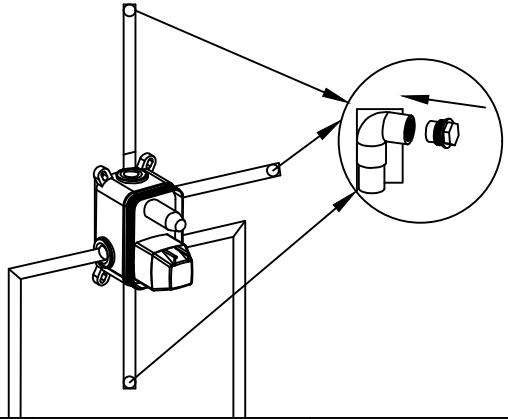
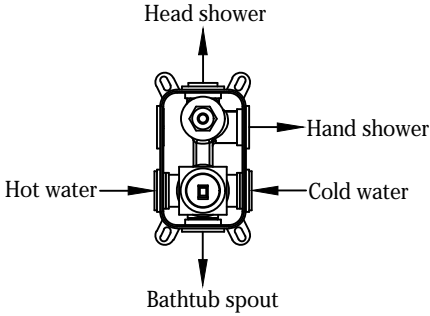


# Model:93103-10/12

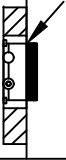
## Installation Instruction 3/3

### Water Testing And Sealing Testing

1. After the pipeline connection is completed, tighten the plug, open the switch to make the pipeline is under pressure. Check the pressure resistance and sealing performance of the valve and pipeline to ensure that there is no leakage in the pipeline.
2. Close the switch, unscrew the plug to flush the impurities and sludge to avoid blockage and affect the water flow function; Make sure there is no problem with the pipeline. It can be connected to the head shower, hand-held and the tub spout.

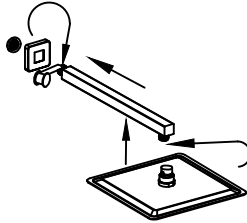


1. Cut away the part of the embedded box sticking out so that it is parallel with the wall.



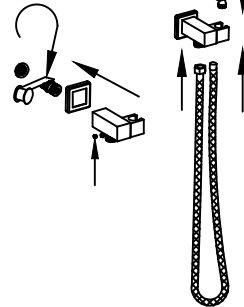
### Shower Head Installation

1. Wrap the tape around the pipe thread and screw it on the wall hole.
2. Screw the head shower onto the outlet pipe thread.



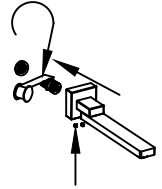
### Handle Shower Installation

1. Take off the two screws in the bottom of the shower holder.
2. Wrap the tape around the pipe thread and screw the seat on the wall hole.
3. Screw the two screws on again.
4. Screw the handheld shower and hose onto the holder.

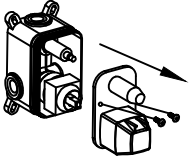


### Tub Spout Installation

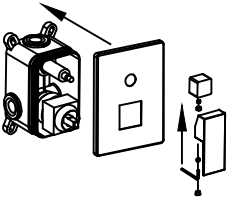
1. Take off the two screws in the bottom of the tub spout.
2. Wrap the tape around the pipe thread and screw the tub spout on the wall hole.
3. Screw the two screws on again.



2. Remove the screws and take out the protective cover.



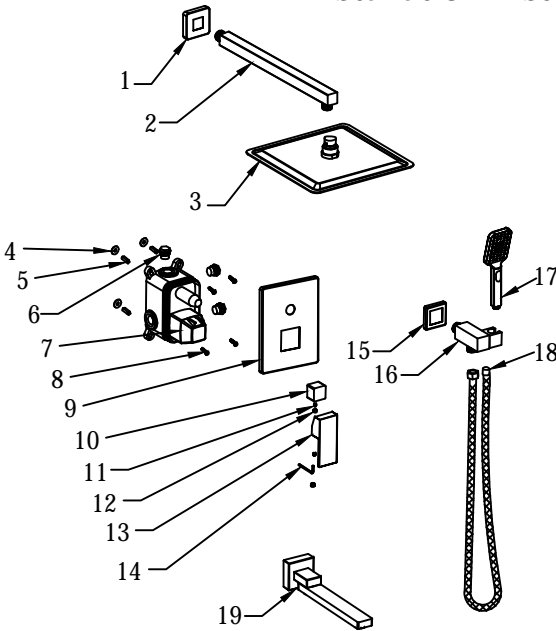
3. The panel and the handle are connected to the control valve.





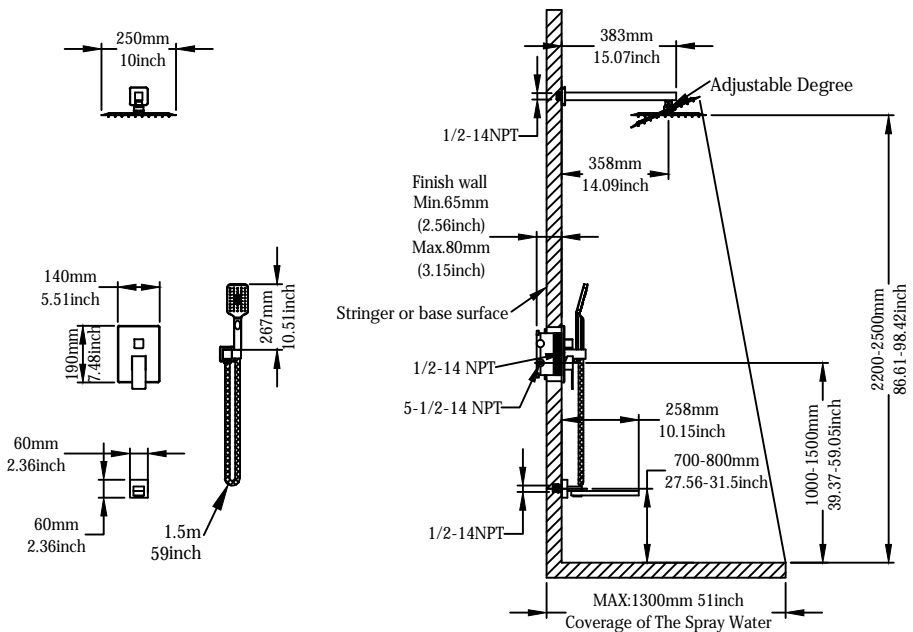
# Model:98103-10/12

## Installation Instruction 1/3



No	Description	QTY
1	Decorative Cover	1
2	Shower Arm	1
3	Shower Head	1
4	Spacer	4
5	Expansion Screw Sleeve	4
6	Plug	3
7	Rough-in Valve	1
8	Screws	4
9	Panel	1
10	Diverter Knob	1
11	Hexagonal Screws	2
12	Decorative Hats	2
13	On/off Handle	1
14	Hexagon Wrench	1
15	Decorative Cover	1
16	Shower Holder	1
17	Handle Shower	1
18	Shower Hose	1
19	Rotatable Bathtub Spout	1

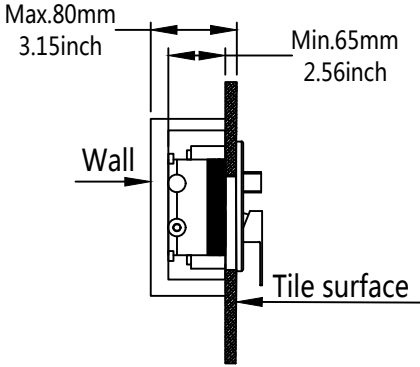
### Installation Instruction



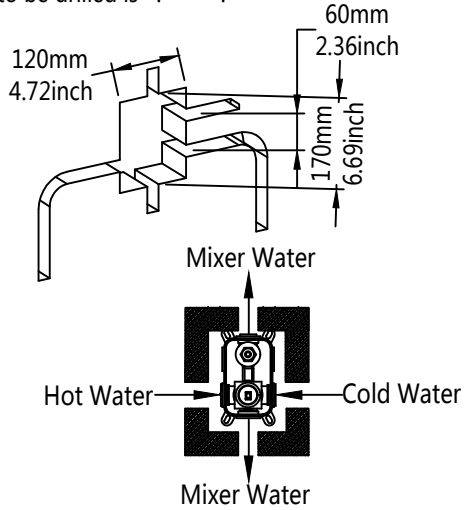
# Model:98103-10/12

## Installation Instruction 2/3

.The depth of the embedded box is . . .  
It's better to drill the depth of 2.75"for blank wall

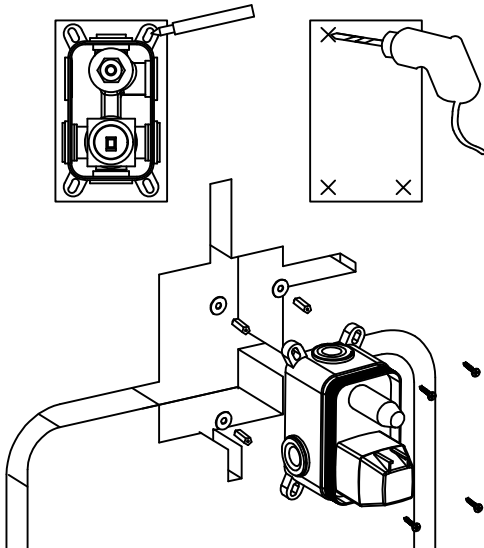


1.The size of the embedded box that needs to be drilled is . \* .

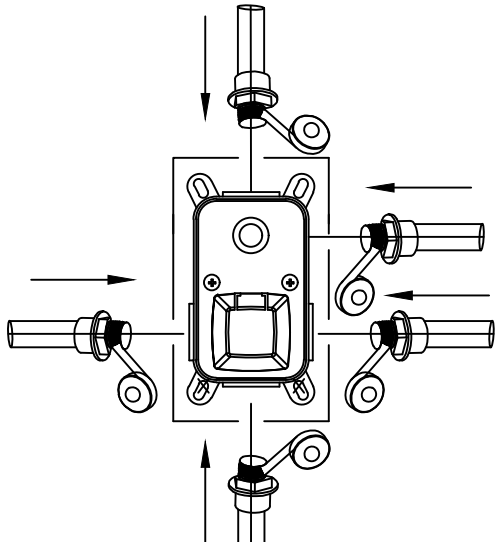


### Installation of Rough-in Valve

Stick the valve to the wall, mark the position of four wall mounting holes with a pencil,then install the valve in the hole.



Wrap the sealing tape around the thread of the water inlet pipe and screw it on.

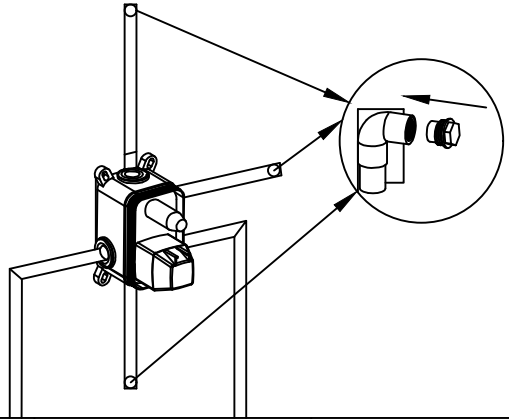
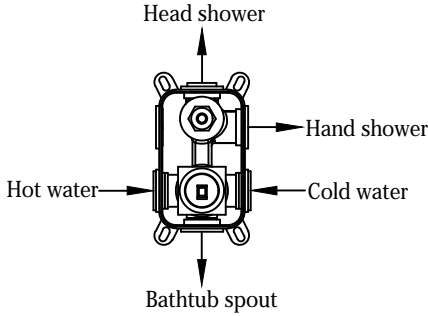


# Model:98103-10/12

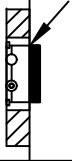
## Installation Instruction 3/3

### Water Testing And Sealing Testing

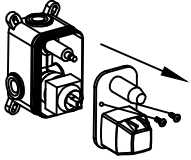
1. After the pipeline connection is completed, tighten the plug, open the switch to make the pipeline is under pressure. Check the pressure resistance and sealing performance of the valve and pipeline to ensure that there is no leakage in the pipeline.
2. Close the switch, unscrew the plug to flush the impurities and sludge to avoid blockage and affect the water flow function; Make sure there is no problem with the pipeline. It can be connected to the head shower, hand-held and the tub spout.



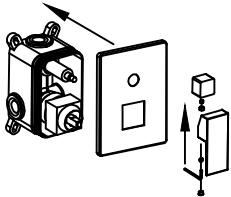
1. Cut away the part of the embedded box sticking out so that it is parallel with the wall.



2. Remove the screws and take out the protective cover.

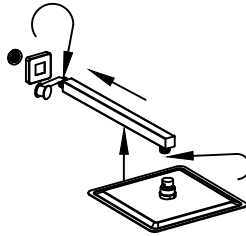


3. The panel and the handle are connected to the control valve.



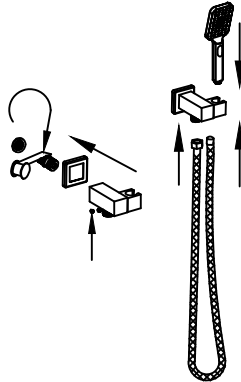
### Shower Head Installation

1. Wrap the tape around the pipe thread and screw it on the wall hole.
2. Screw the head shower onto the outlet pipe thread.



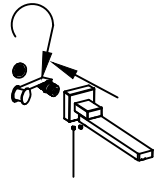
### Hand Shower Installation

1. Take off the two screws in the bottom of the shower holder.
2. Wrap the tape around the pipe thread and screw the seat on the wall hole.
3. Screw the two screws on again.
4. Screw the handheld shower and hose onto the holder.



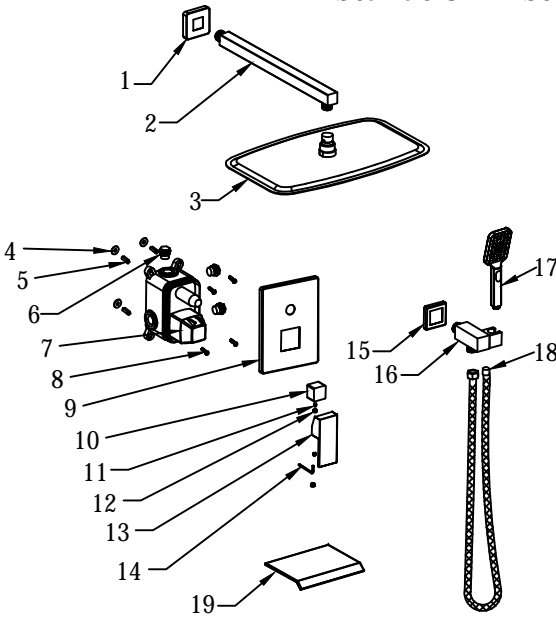
### Tub Spout Installation

1. Take off the two screws in the bottom of the tub spout.
2. Wrap the tape around the pipe thread and screw the tub spout on the wall hole.
3. Screw the two screws on again.



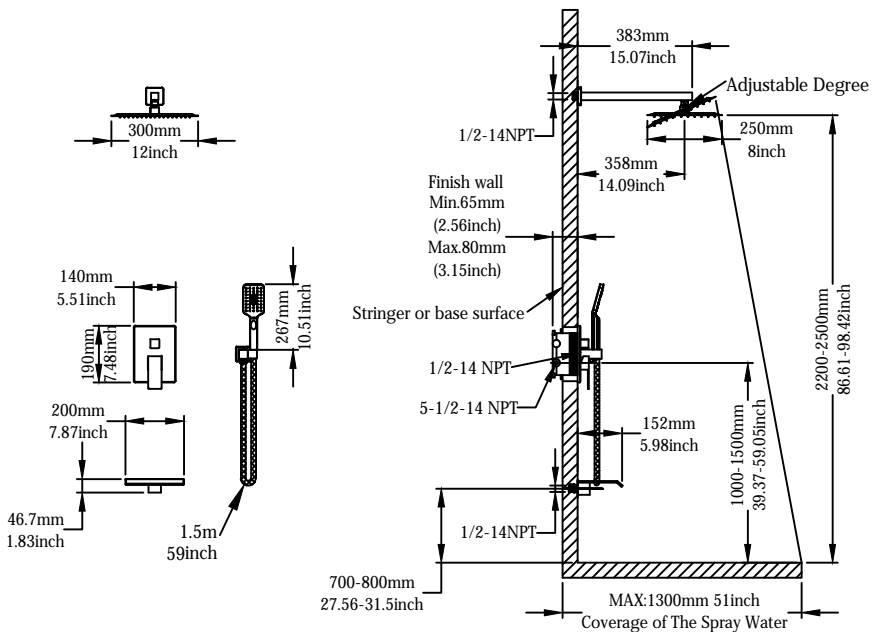
# Model:97203-10/12

## Installation Instruction 1/3



No	Description	QTY
1	Decorative Cover	1
2	Shower Arm	1
3	Shower Head	1
4	Spacer	4
5	Expansion Screw Sleeve	4
6	Plug	3
7	Rough-in Valve	1
8	Screws	4
9	Panel	1
10	Diverter Knob	1
11	Hexagonal Screws	2
12	Decorative Hats	2
13	On/off Handle	1
14	Hexagon Wrench	1
15	Decorative Cover	1
16	Shower Holder	1
17	Handle Shower	1
18	Shower Hose	1
19	Rotatable Bathtub Spout	1

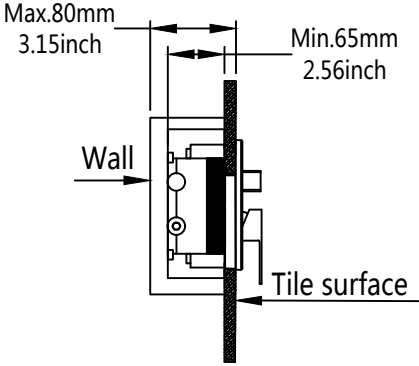
### Installation Instruction



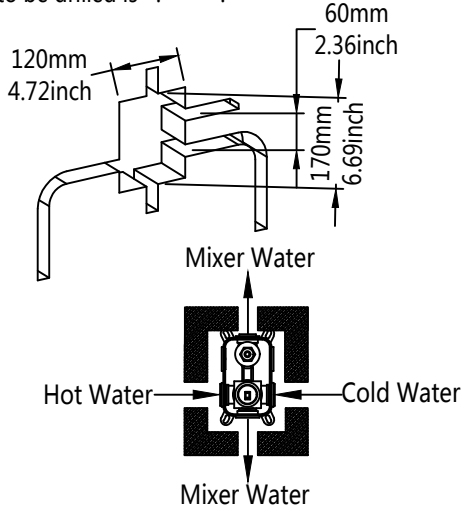
# Model:97203-10/12

## Installation Instruction 2/3

The depth of the embedded box is . . . .  
 It's better to drill the depth of 2.75" for blank wall

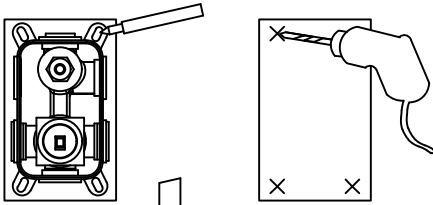


1.The size of the embedded box that needs to be drilled is . . . \* .

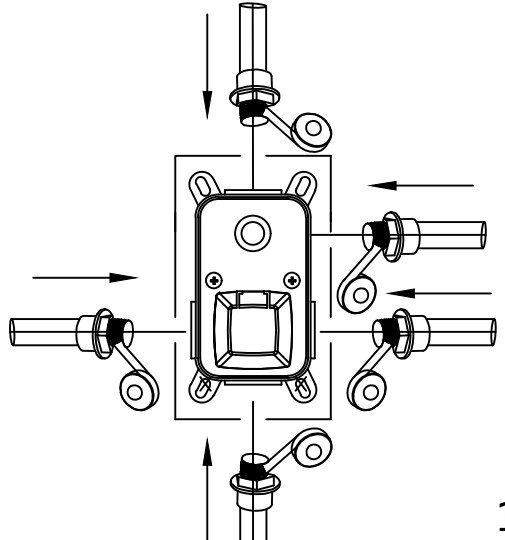
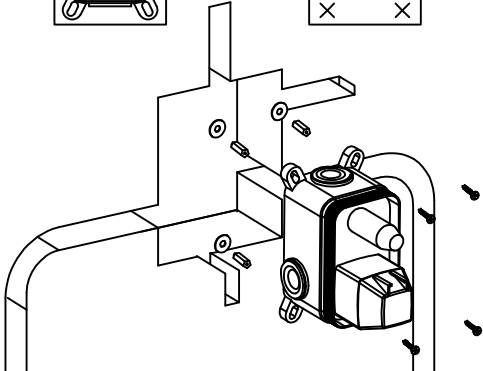


### Installation of Rough-in Valve

Stick the valve to the wall, mark the position of four wall mounting holes with a pencil, then install the valve in the hole.



Wrap the sealing tape around the thread of the water inlet pipe and screw it on.

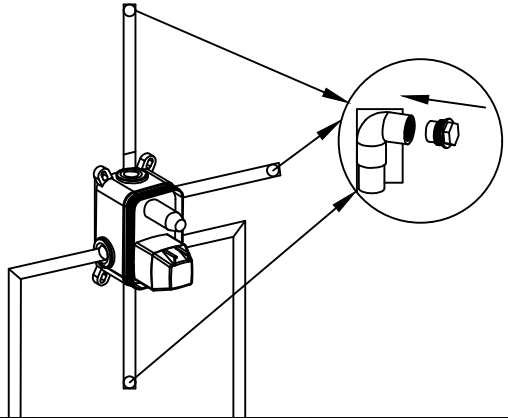
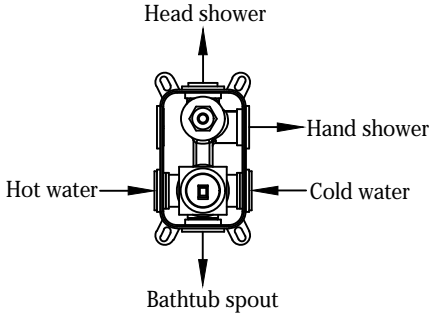


# Model:97203-10/12

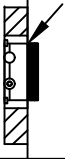
## Installation Instruction 3/3

### Water Testing And Sealing Testing

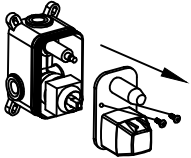
1. After the pipeline connection is completed, tighten the plug, open the switch to make the pipeline is under pressure. Check the pressure resistance and sealing performance of the valve and pipeline to ensure that there is no leakage in the pipeline.
2. Close the switch, unscrew the plug to flush the impurities and sludge to avoid blockage and affect the water flow function; Make sure there is no problem with the pipeline. It can be connected to the head shower, hand-held and the tub spout.



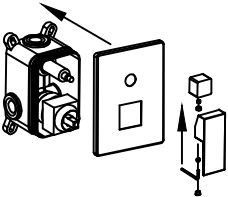
1. Cut away the part of the embedded box sticking out so that it is parallel with the wall.



2. Remove the screws and take out the protective cover.

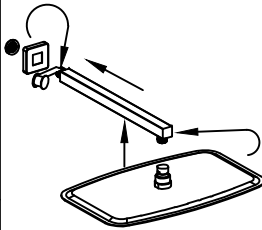


3. The panel and the handle are connected to the control valve.



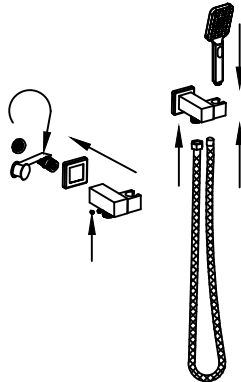
### Shower Head Installation

1. Wrap the tape around the pipe thread and screw it on the wall hole.
2. Screw the head shower onto the outlet pipe thread.



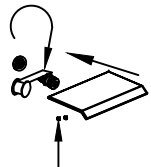
### Hand Shower Installation

1. Take off the two screws in the bottom of the shower holder.
2. Wrap the tape around the pipe thread and screw the seat on the wall hole.
3. Screw the two screws on again.
4. Screw the handheld shower and hose onto the holder.



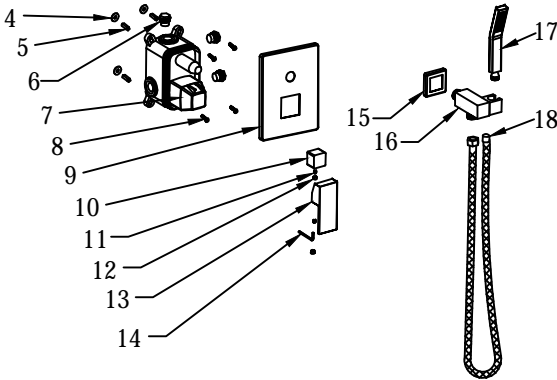
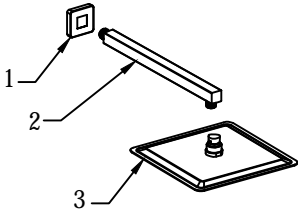
### Tub Spout Installation

1. Take off the two screws in the bottom of the tub spout.
2. Wrap the tape around the pipe thread and screw the tub spout on the wall hole.
3. Screw the two screws on again.



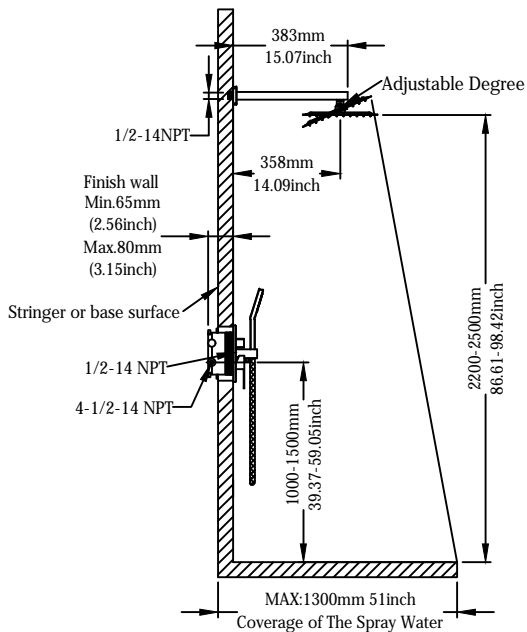
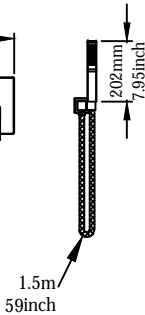
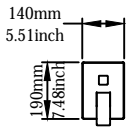
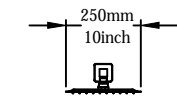
# Model:93102-10/12

## Installation Instruction 1/3



No	Description	QTY
1	Decorative Cover	1
2	Shower Arm	1
3	Shower Head	1
4	Spacer	4
5	Expansion Screw Sleeve	4
6	Plug	3
7	Rough-in Valve	1
8	Screws	4
9	Panel	1
10	Diverter Knob	1
11	Hexagonal Screws	2
12	Decorative Hats	2
13	On/off Handle	1
14	Hexagon Wrench	1
15	Decorative Cover	1
16	Shower Holder	1
17	Handle Shower	1
18	Shower Hose	1

### Installation Instruction

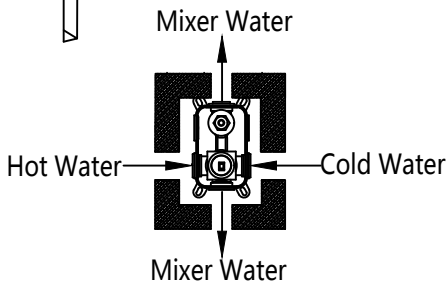
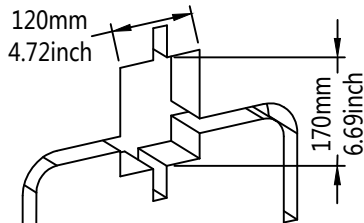
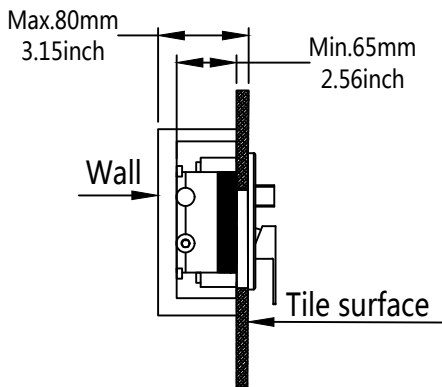


# Model:93102-10/12

## Installation Instruction 2/3

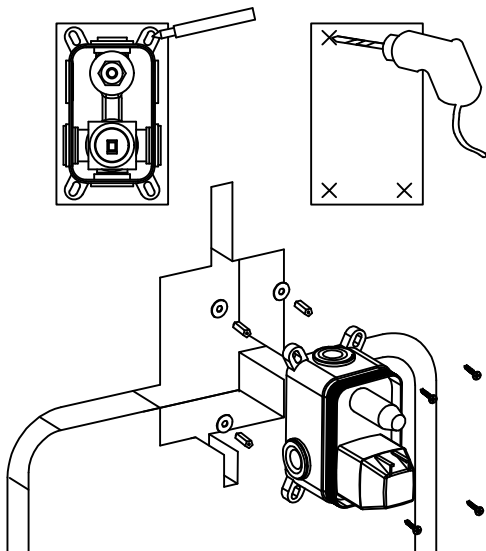
1.The size of the embedded box that needs to be drilled is . \* .

.The depth of the embedded box is . - .  
It's better to drill the depth of 2.75"for blank wall

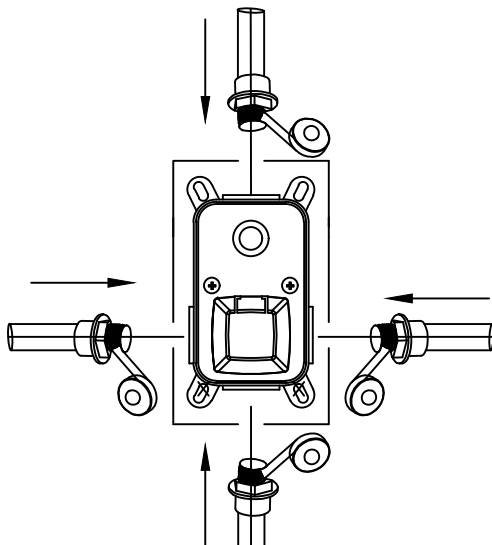


### Installation of Rough-in Valve

Stick the valve to the wall, mark the position of four wall mounting holes with a pencil, then install the valve in the hole.



Wrap the sealing tape around the thread of the water inlet pipe and screw it on.



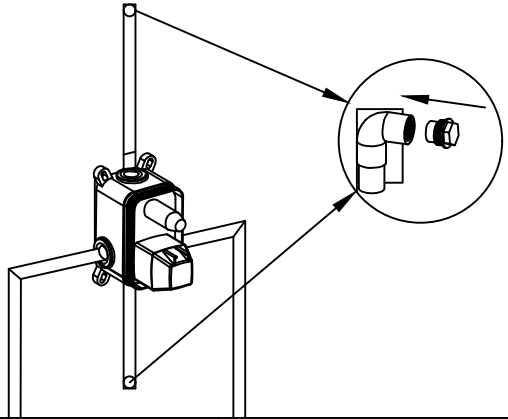
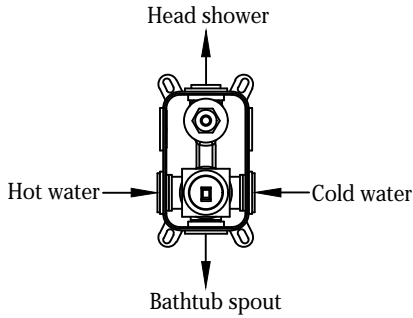


# Model:93102-10/12

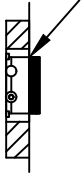
## Installation Instruction 3/3

### Water Testing And Sealing Testing

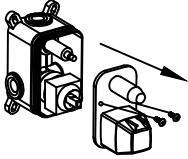
1. After the pipeline connection is completed, tighten the plug, open the switch to make the pipeline is under pressure. Check the pressure resistance and sealing performance of the valve and pipeline to ensure that there is no leakage in the pipeline.
2. Close the switch, unscrew the plug to flush the impurities and sludge to avoid blockage and affect the water flow function; Make sure there is no problem with the pipeline. It can be connected to the head shower, hand-hold and the tub spout.



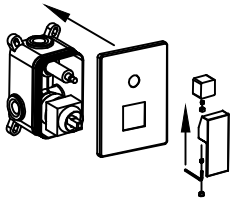
1. Cut away the part of the embedded box sticking out so that it is parallel with the wall.



2. Remove the screws and take out the protective cover.

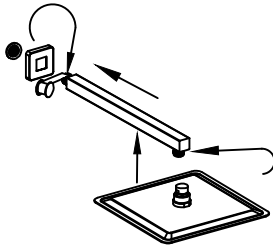


3. The panel and the handle are connected to the control valve.



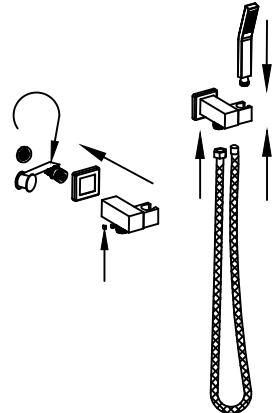
### Shower Head Installation

1. Wrap the tape around the pipe thread and screw it on the wall hole.
2. Screw the head shower onto the outlet pipe thread.



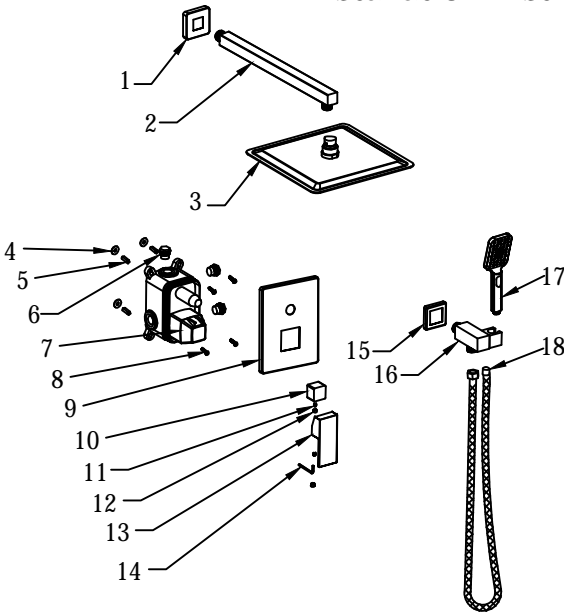
### Handle Shower Installation

1. Take off the two screws in the bottom of the shower holder.
2. Wrap the tape around the pipe thread and screw the seat on the wall hole.
3. Screw the two screws on again.
4. Screw the handheld shower and hose onto the holder.



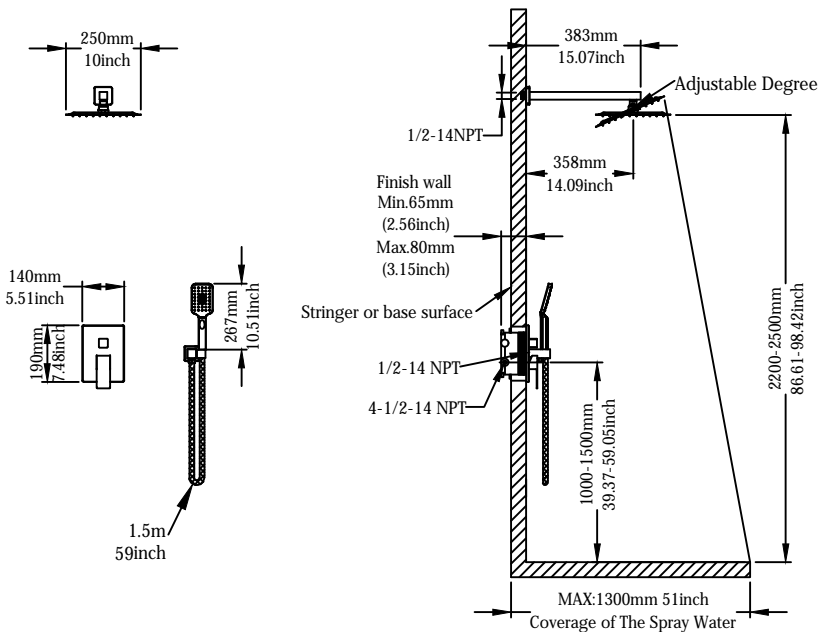
# Model:98102-10/12

## Installation Instruction 1/3



No	Description	QTY
1	Decorative Cover	1
2	Shower Arm	1
3	Shower Head	1
4	Spacer	4
5	Expansion Screw Sleeve	4
6	Plug	3
7	Rough-in Valve	1
8	Screws	4
9	Panel	1
10	Diverter Knob	1
11	Hexagonal Screws	2
12	Decorative Hats	2
13	On/off Handle	1
14	Hexagon Wrench	1
15	Decorative Cover	1
16	Shower Holder	1
17	Handle Shower	1
18	Shower Hose	1

### Installation Instruction

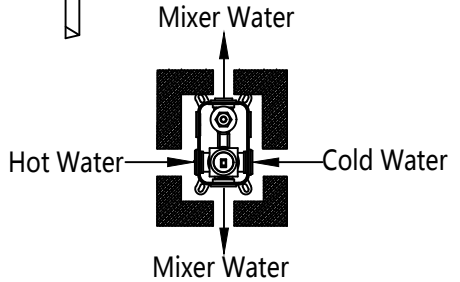
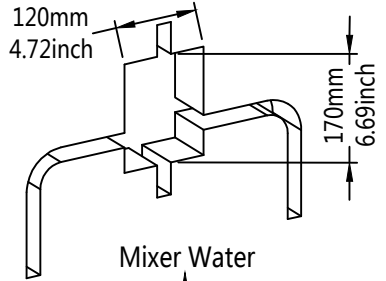
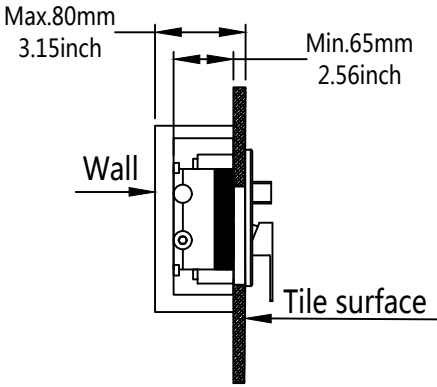


# Model:98102-10/12

## Installation Instruction 2/3

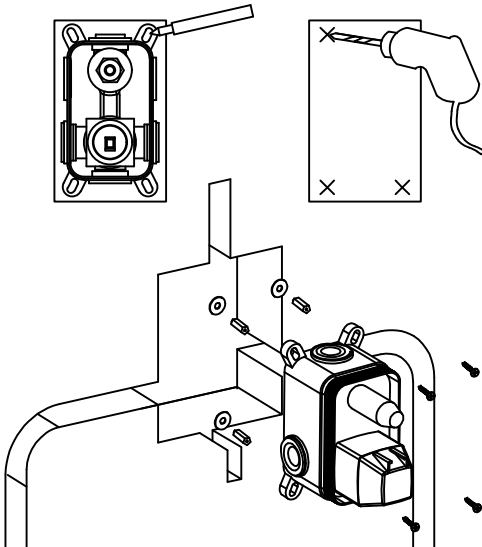
1.The size of the embedded box that needs to be drilled is . \* .

.The depth of the embedded box is . - .  
It's better to drill the depth of 2.75"for blank wall

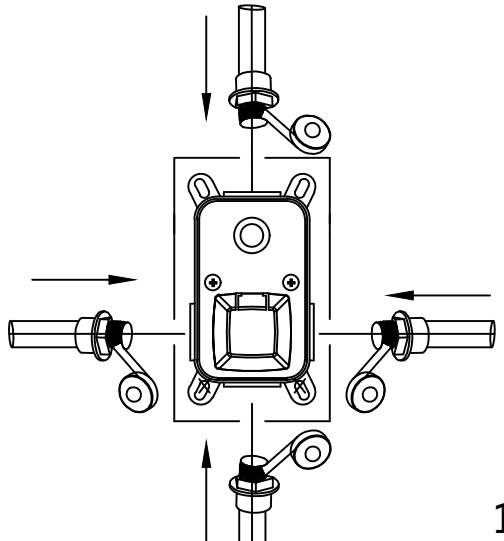


### Installation of Rough-in Valve

Stick the valve to the wall, mark the position of four wall mounting holes with a pencil, then install the valve in the hole



Wrap the sealing tape around the thread of the water inlet pipe and screw it on.

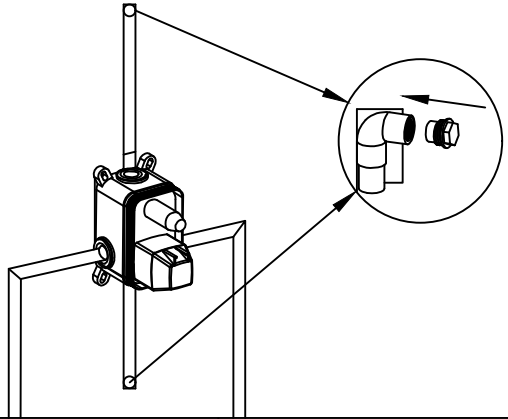
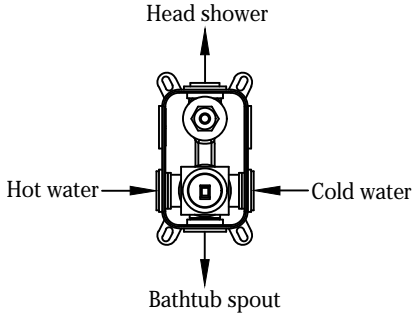


# Model:98102-10/12

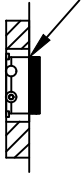
## Installation Instruction 3/3

### Water Testing And Sealing Testing

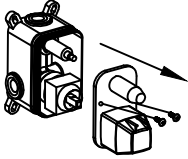
1. After the pipeline connection is completed, tighten the plug, open the switch to make the pipeline is under pressure. Check the pressure resistance and sealing performance of the valve and pipeline to ensure that there is no leakage in the pipeline.
2. Close the switch, unscrew the plug to flush the impurities and sludge to avoid blockage and affect the water flow function; Make sure there is no problem with the pipeline. It can be connected to the head shower, hand-hold and the tub spout.



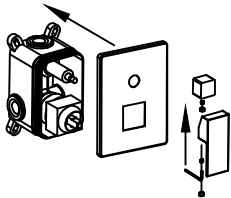
1. Cut away the part of the embedded box sticking out so that it is parallel with the wall.



2. Remove the screws and take out the protective cover.

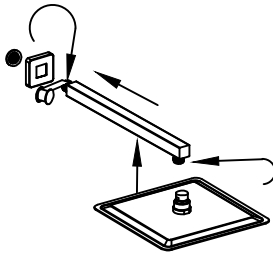


3. The panel and the handle are connected to the control valve.



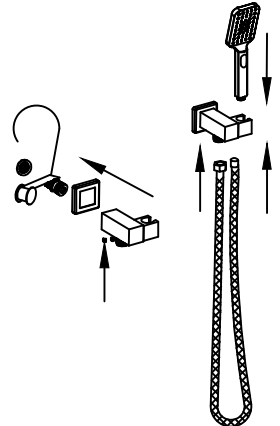
### Shower Head Installation

1. Wrap the tape around the pipe thread and screw it on the wall hole.
2. Screw the head shower onto the outlet pipe thread.



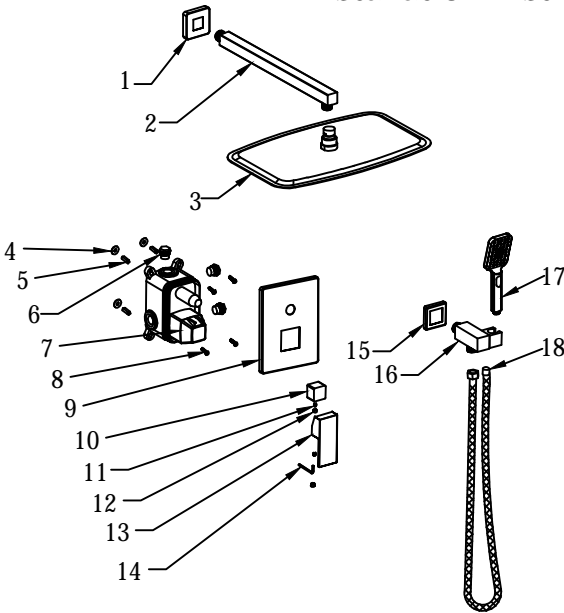
### Handle Shower Installation

1. Take off the two screws in the bottom of the shower holder.
2. Wrap the tape around the pipe thread and screw the seat on the wall hole.
3. Screw the two screws on again.
4. Screw the handheld shower and hose onto the holder.



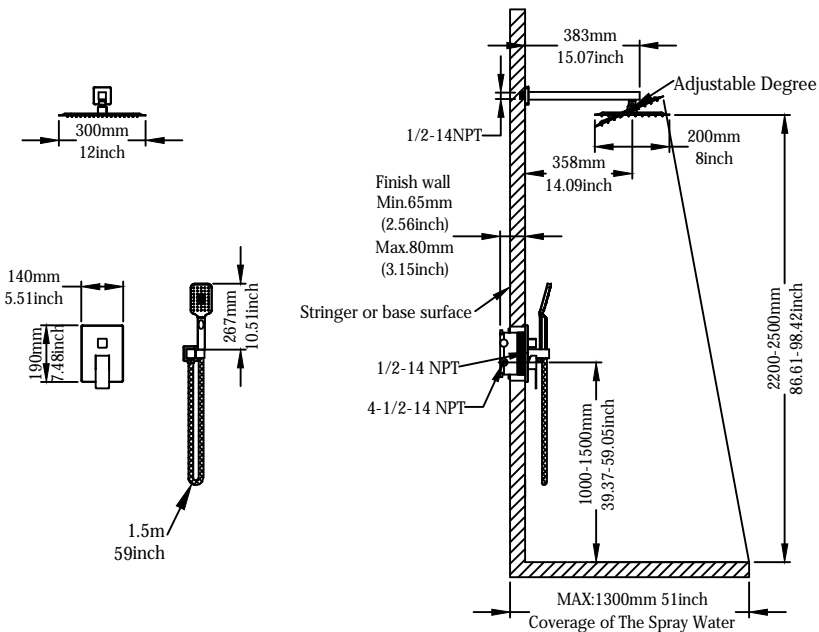
# Model:97202-10/12

## Installation Instruction 1/3



No	Description	QTY
1	Decorative Cover	1
2	Shower Arm	1
3	Shower Head	1
4	Spacer	4
5	Expansion Screw Sleeve	4
6	Plug	3
7	Rough-in Valve	1
8	Screws	4
9	Panel	1
10	Diverter Knob	1
11	Hexagonal Screws	2
12	Decorative Hats	2
13	On/off Handle	1
14	Hexagon Wrench	1
15	Decorative Cover	1
16	Shower Holder	1
17	Handle Shower	1
18	Shower Hose	1

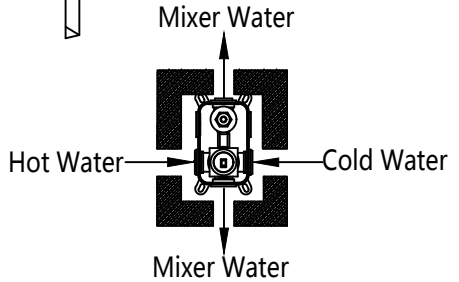
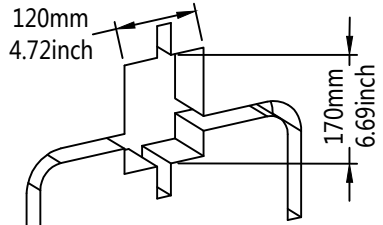
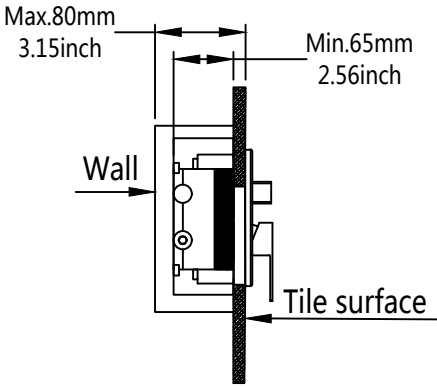
### Installation Instruction



# Model:97202-10/12 Installation Instruction 2/3

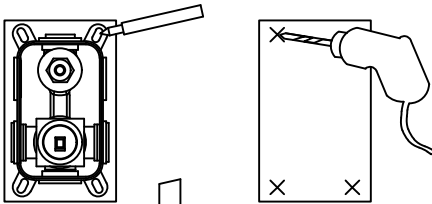
1.The size of the embedded box that needs to be drilled is . . \* .

.The depth of the embedded box is . . . .  
It's better to drill the depth of 2.75"for blank wall

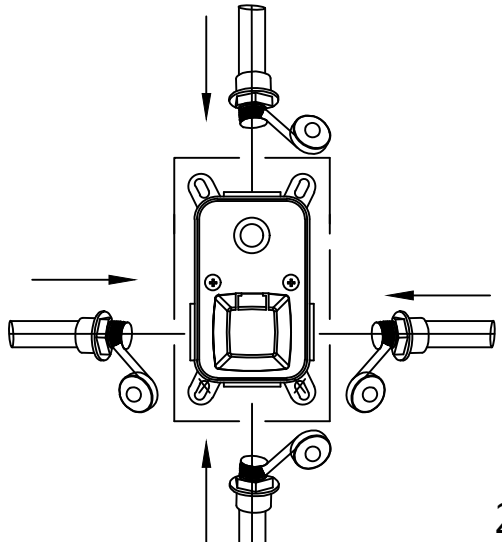


## Installation of Rough-in Valve

Stick the valve to the wall, mark the position of four wall mounting holes with a pencil, then install the valve in the hole



Wrap the sealing tape around the thread of the water inlet pipe and screw it on.

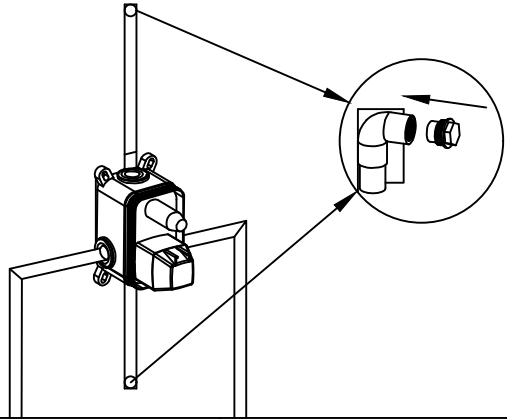
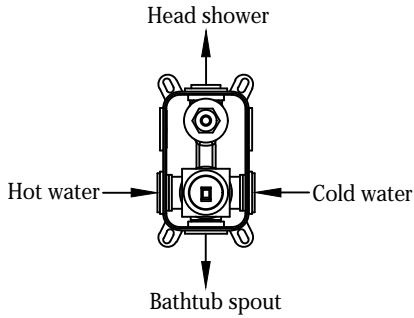


# Model:97202-10/12

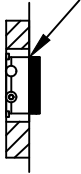
## Installation Instruction 3/3

### Water Testing And Sealing Testing

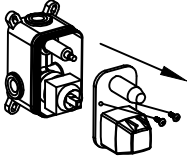
1. After the pipeline connection is completed, tighten the plug, open the switch to make the pipeline is under pressure. Check the pressure resistance and sealing performance of the valve and pipeline to ensure that there is no leakage in the pipeline.
2. Close the switch, unscrew the plug to flush the impurities and sludge to avoid blockage and affect the water flow function; Make sure there is no problem with the pipeline. It can be connected to the head shower, hand-held and the tub spout.



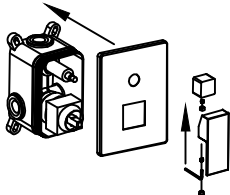
1. Cut away the part of the embedded box sticking out so that it is parallel with the wall.



2. Remove the screws and take out the protective cover.

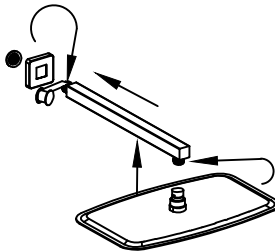


3. The panel and the handle are connected to the control valve.



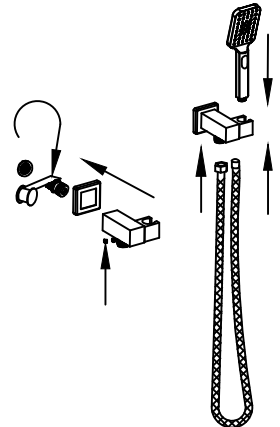
### Shower Head Installation

1. Wrap the tape around the pipe thread and screw it on the wall hole.
2. Screw the head shower onto the outlet pipe thread.



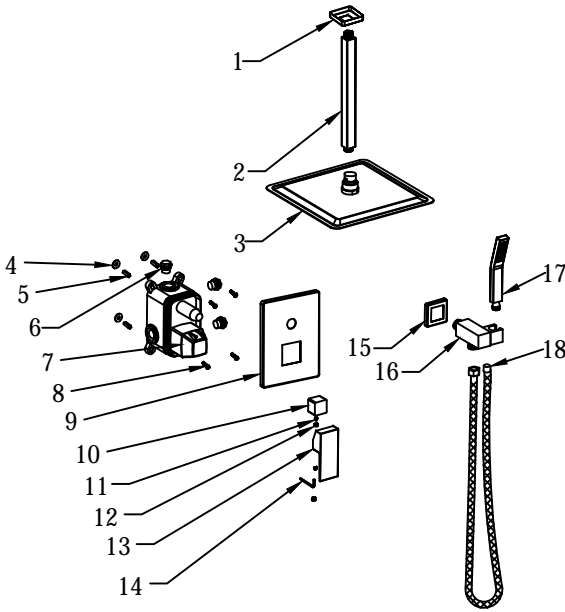
### Handle Shower Installation

1. Take off the two screws in the bottom of the shower holder.
2. Wrap the tape around the pipe thread and screw the seat on the wall hole.
3. Screw the two screws on again.
4. Screw the handheld shower and hose onto the holder.



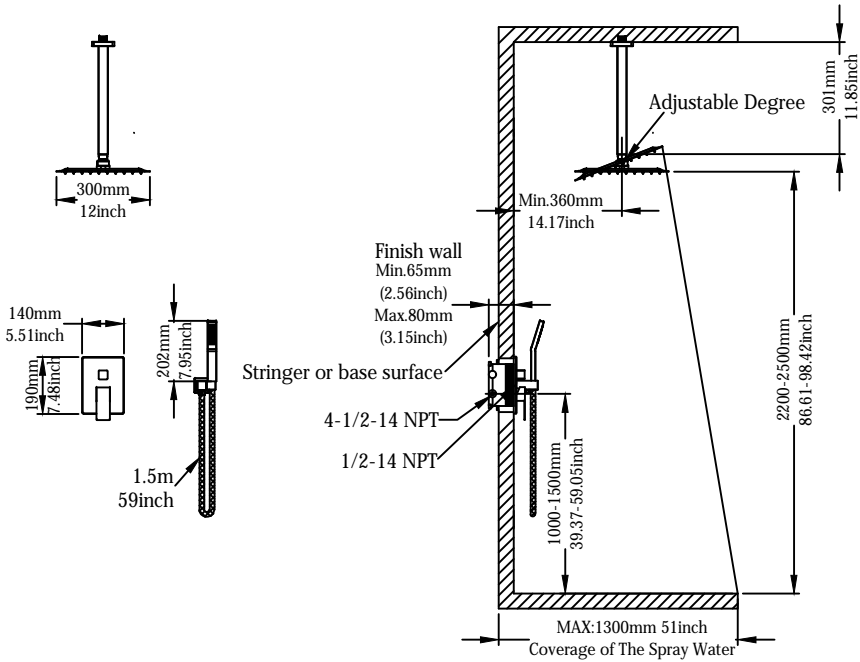
# Model:95102-10/12

## Installation Instruction 1/3



No	Description	QTY
1	Decorative Cover	1
2	Shower Arm	1
3	Shower Head	1
4	Spacer	4
5	Expansion Screw Sleeve	4
6	Plug	3
7	Rough-in Valve	1
8	Screws	4
9	Panel	1
10	Diverter Knob	1
11	Hexagonal Screws	2
12	Decorative Hats	2
13	On/off Handle	1
14	Hexagon Wrench	1
15	Decorative Cover	1
16	Shower Holder	1
17	Handle Shower	1
18	Shower Hose	1

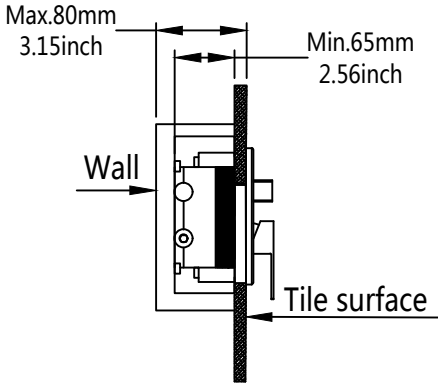
### Installation Instruction



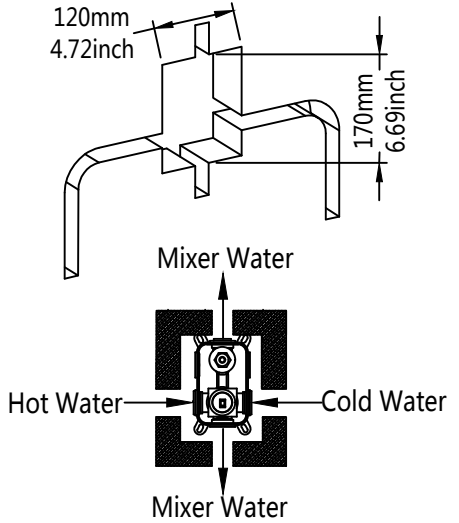


# Model:95102-10/12 Installation Instruction 2/3

The depth of the embedded box is . . . .  
It's better to drill the depth of 2.75" for blank wall

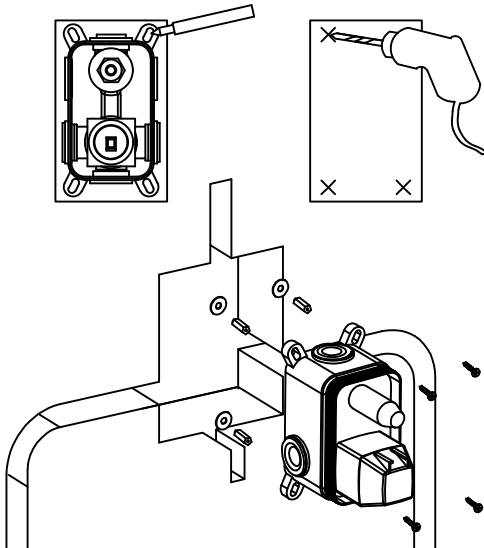


1. The size of the embedded box that needs to be drilled is . . . \* .

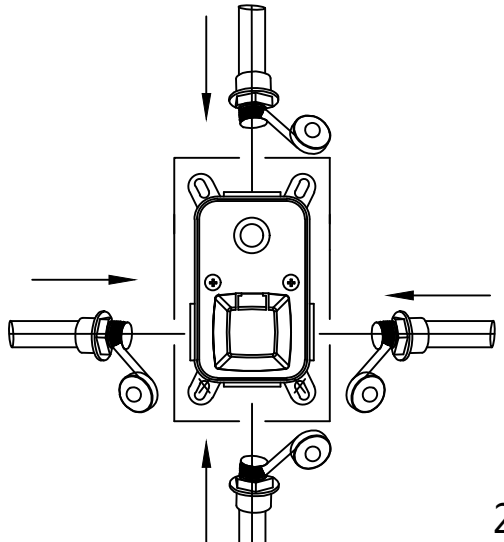


## Installation of Rough-in Valve

Stick the valve to the wall, mark the position of four wall mounting holes with a pencil, then install the valve in the hole



Wrap the sealing tape around the thread of the water inlet pipe and screw it on.

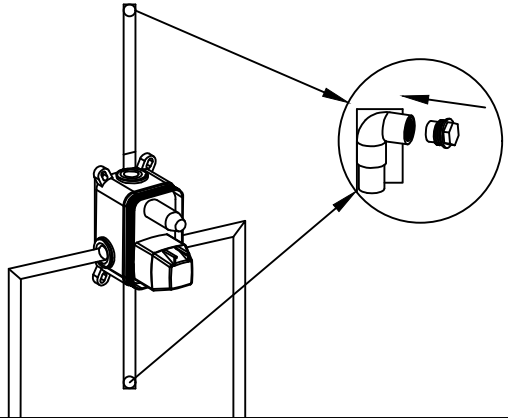
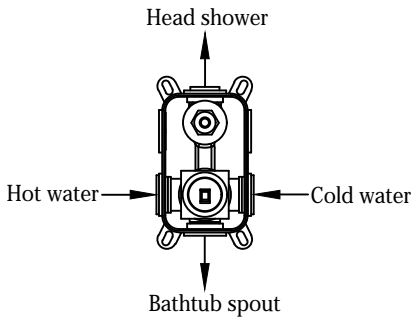


# Model:95102-10/12

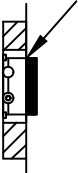
## Installation Instruction 3/3

### Water Testing And Sealing Testing

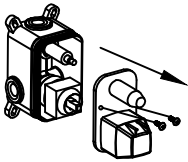
1. After the pipeline connection is completed, tighten the plug, open the switch to make the pipeline is under pressure. Check the pressure resistance and sealing performance of the valve and pipeline to ensure that there is no leakage in the pipeline.
2. Close the switch, unscrew the plug to flush the impurities and sludge to avoid blockage and affect the water flow function; Make sure there is no problem with the pipeline. It can be connected to the head shower, hand-held and the tub spout.



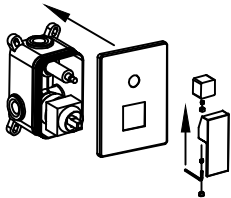
1. Cut away the part of the embedded box sticking out so that it is parallel with the wall.



2. Remove the screws and take out the protective cover.

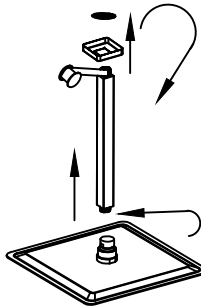


3. The panel and the handle are connected to the control valve.



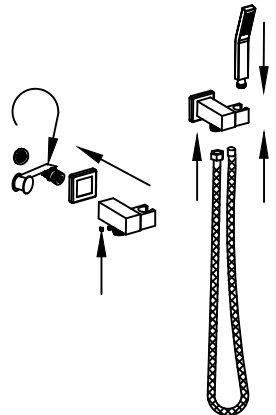
### Shower Head Installation

1. Wrap the tape around the pipe thread and screw it on the wall hole.
2. Screw the head shower onto the outlet pipe thread.



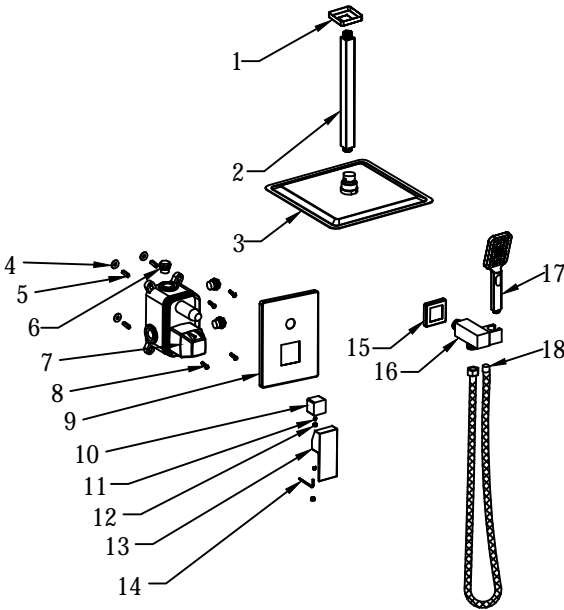
### Handle Shower Installation

1. Take off the two screws in the bottom of the shower holder.
2. Wrap the tape around the pipe thread and screw the seat on the wall hole.
3. Screw the two screws on again.
4. Screw the handheld shower and hose onto the holder.



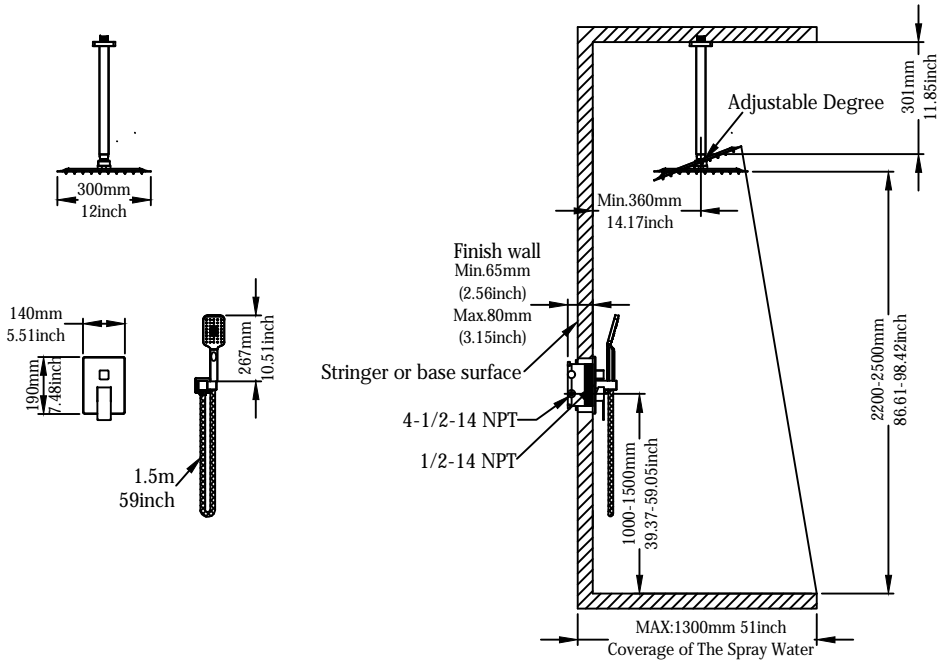
# Model:98105-10/12

## Installation Instruction 1/3



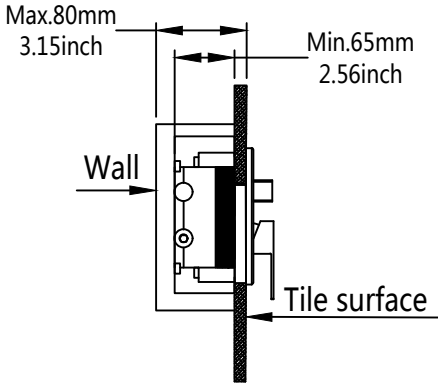
No	Description	QTY
1	Decorative Cover	1
2	Shower Arm	1
3	Shower Head	1
4	Spacer	4
5	Expansion Screw Sleeve	4
6	Plug	3
7	Rough-in Valve	1
8	Screws	4
9	Panel	1
10	Diverter Knob	1
11	Hexagonal Screws	2
12	Decorative Hats	2
13	On/off Handle	1
14	Hexagon Wrench	1
15	Decorative Cover	1
16	Shower Holder	1
17	Handle Shower	1
18	Shower Hose	1

### Installation Instruction

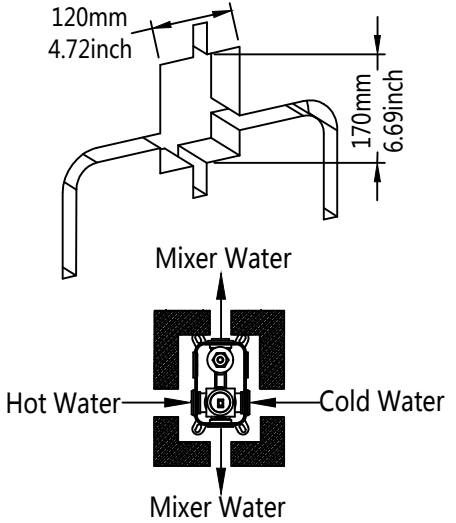


# Model:98105-10/12 Installation Instruction 2/3

The depth of the embedded box is . . . .  
It's better to drill the depth of 2.75" for blank wall

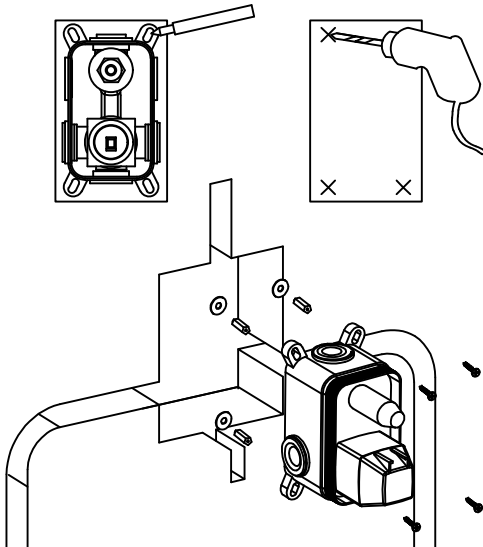


1.The size of the embedded box that needs to be drilled is . \* .

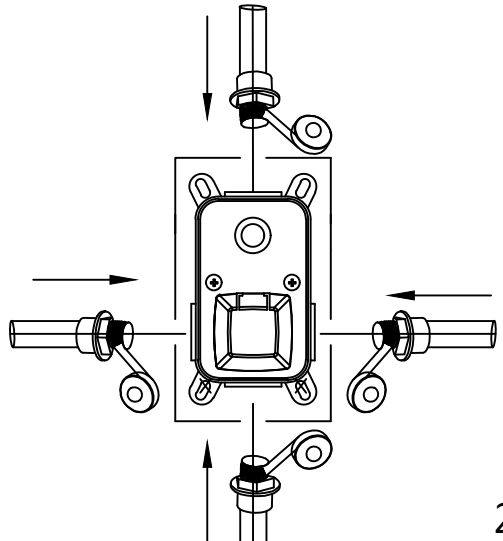


## Installation of Rough-in Valve

Stick the valve to the wall, mark the position of four wall mounting holes with a pencil, then install the valve in the hole



Wrap the sealing tape around the thread of the water inlet pipe and screw it on.

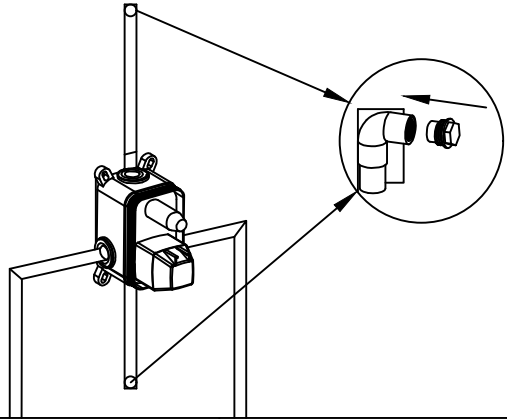
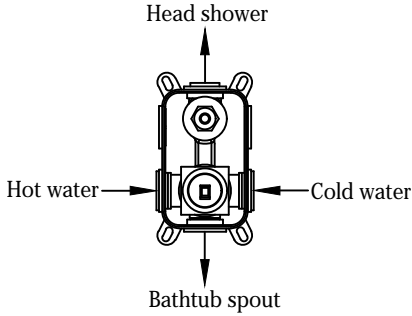


# Model:98105-10/12

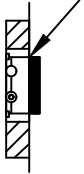
## Installation Instruction 3/3

### Water Testing And Sealing Testing

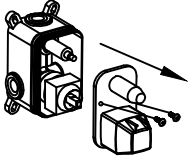
1. After the pipeline connection is completed, tighten the plug, open the switch to make the pipeline is under pressure. Check the pressure resistance and sealing performance of the valve and pipeline to ensure that there is no leakage in the pipeline.
2. Close the switch, unscrew the plug to flush the impurities and sludge to avoid blockage and affect the water flow function; Make sure there is no problem with the pipeline. It can be connected to the head shower, hand-hold and the tub spout.



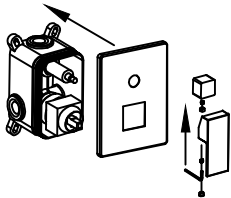
1. Cut away the part of the embedded box sticking out so that it is parallel with the wall.



2. Remove the screws and take out the protective cover.

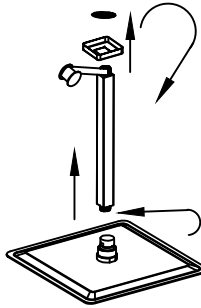


3. The panel and the handle are connected to the control valve.



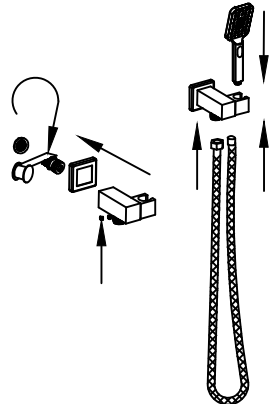
### Shower Head Installation

1. Wrap the tape around the pipe thread and screw it on the wall hole.
2. Screw the head shower onto the outlet pipe thread.



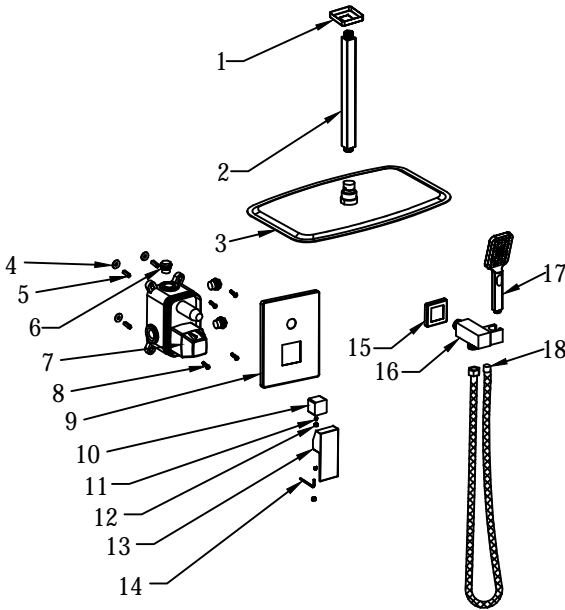
### Handle Shower Installation

1. Take off the two screws in the bottom of the shower holder.
2. Wrap the tape around the pipe thread and screw the seat on the wall hole.
3. Screw the two screws on again.
4. Screw the handheld shower and hose onto the holder.



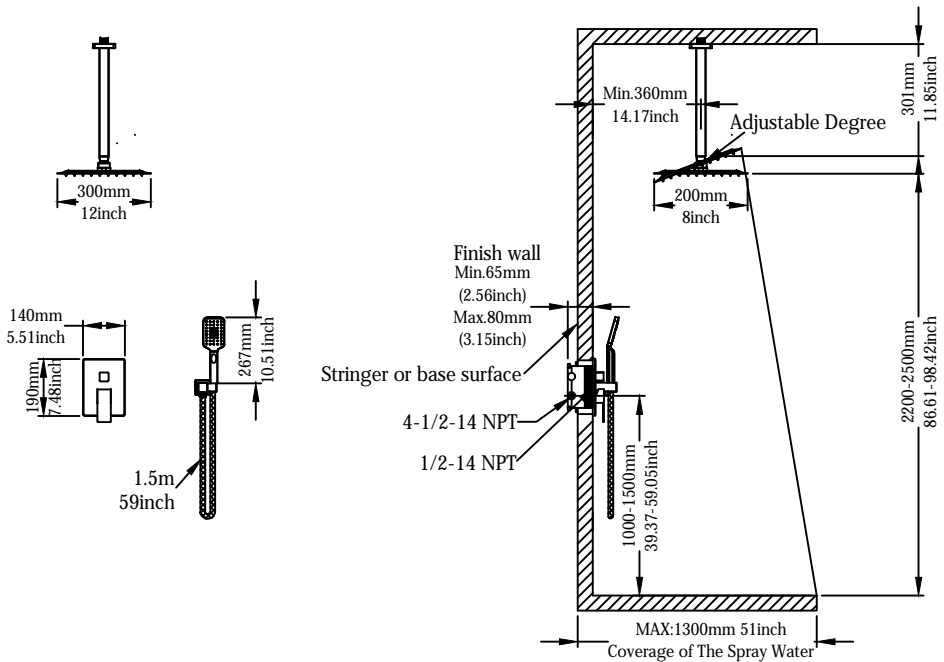
# Model:97205-10/12

## Installation Instruction 1/3



No	Description	QTY
1	Decorative Cover	1
2	Shower Arm	1
3	Shower Head	1
4	Spacer	4
5	Expansion Screw Sleeve	4
6	Plug	3
7	Rough-in Valve	1
8	Screws	4
9	Panel	1
10	Diverter Knob	1
11	Hexagonal Screws	2
12	Decorative Hats	2
13	On/off Handle	1
14	Hexagon Wrench	1
15	Decorative Cover	1
16	Shower Holder	1
17	Handle Shower	1
18	Shower Hose	1

### Installation Instruction

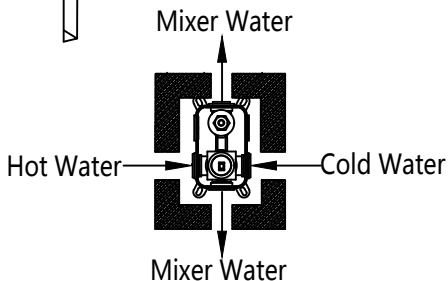
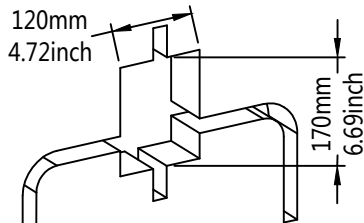
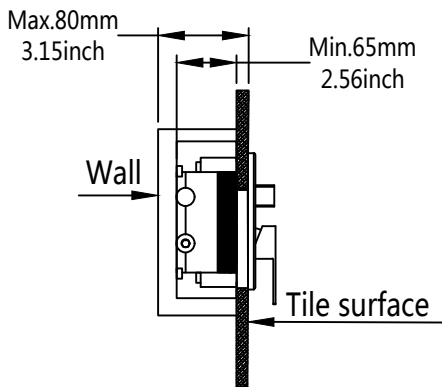


# Model:97205-10/12

## Installation Instruction 2/3

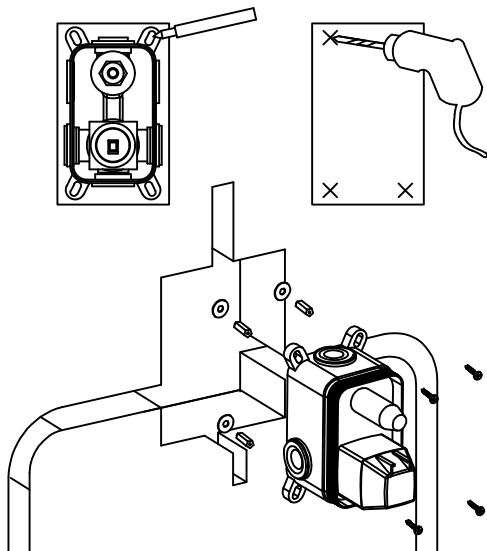
1.The size of the embedded box that needs to be drilled is . \* .

.The depth of the embedded box is . - .  
It's better to drill the depth of 2.75"for blank wall

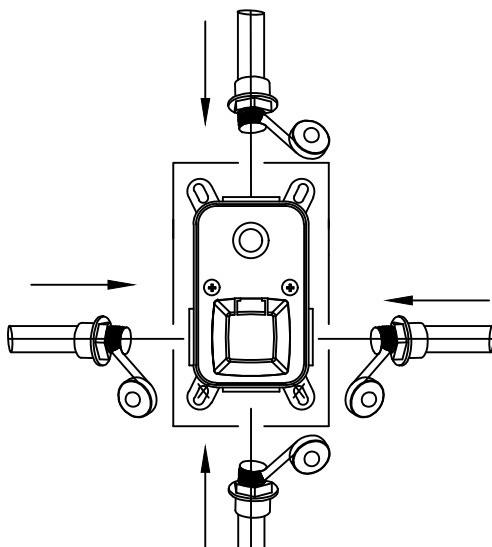


### Installation of Rough-in Valve

Stick the valve to the wall, mark the position of four wall mounting holes with a pencil, then install the valve in the hole



Wrap the sealing tape around the thread of the water inlet pipe and screw it on.

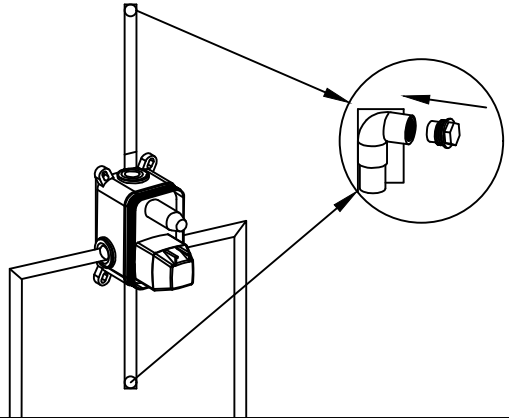
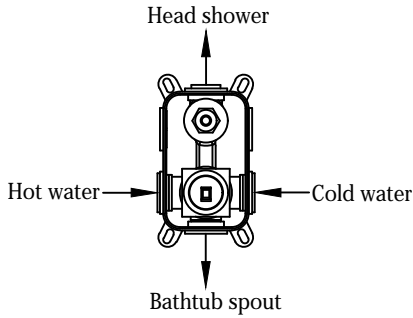


# Model:97205-10/12

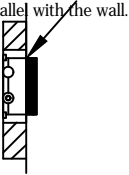
## Installation Instruction 3/3

### Water Testing And Sealing Testing

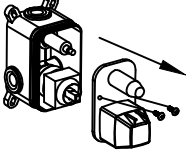
1. After the pipeline connection is completed, tighten the plug, open the switch to make the pipeline is under pressure. Check the pressure resistance and sealing performance of the valve and pipeline to ensure that there is no leakage in the pipeline.
2. Close the switch, unscrew the plug to flush the impurities and sludge to avoid blockage and affect the water flow function; Make sure there is no problem with the pipeline. It can be connected to the head shower, hand-held and the tub spout.



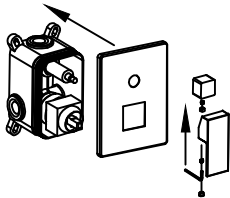
1. Cut away the part of the embedded box sticking out so that it is parallel with the wall.



2. Remove the screws and take out the protective cover.

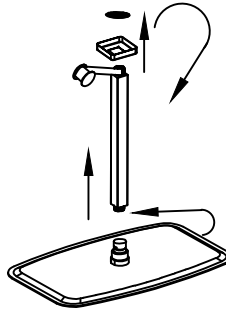


3. The panel and the handle are connected to the control valve.



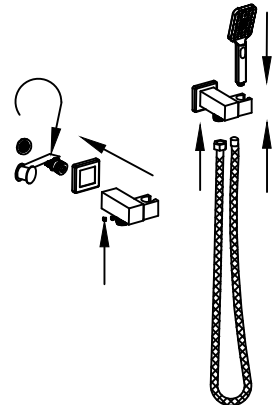
### Shower Head Installation

1. Wrap the tape around the pipe thread and screw it on the wall hole.
2. Screw the head shower onto the outlet pipe thread.



### Handle Shower Installation

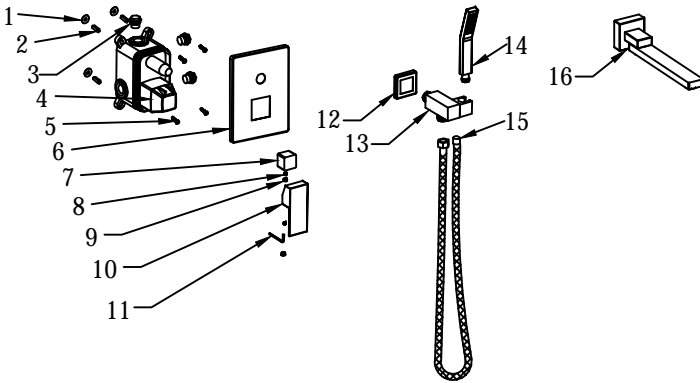
1. Take off the two screws in the bottom of the shower holder.
2. Wrap the tape around the pipe thread and screw the seat on the wall hole.
3. Screw the two screws on again.
4. Screw the handheld shower and hose onto the holder.





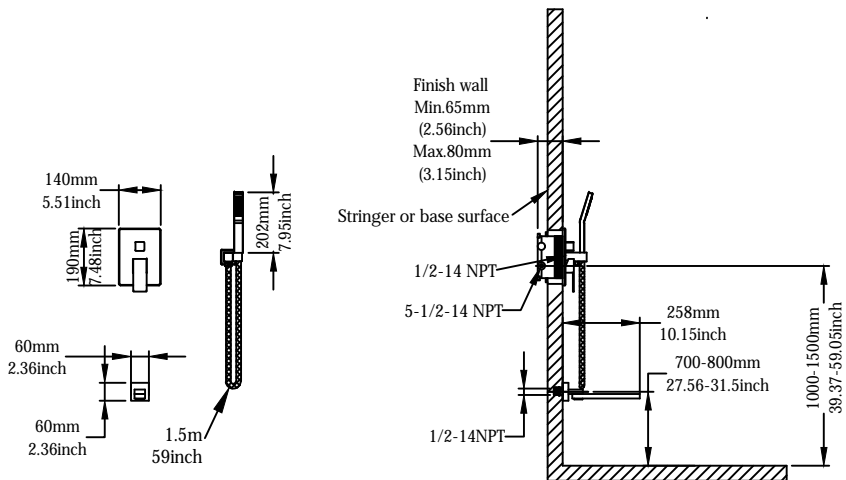
# Model:93107

## Installation Instruction 1/3



No	Description	QTY
1	Spacer	4
2	Expansion Screw Sleeve	4
3	Plug	3
4	Rough-in Valve	1
5	Screws	4
6	Panel	1
7	Diverter Knob	1
8	Hexagonal Screws	2
9	Decorative Hats	2
10	On/off Handle	1
11	Hexagon Wrench	1
12	Decorative Cover	1
13	Shower Holder	1
14	Handle Shower	1
15	Shower Hose	1
16	Rotatable Bathtub Spout	1

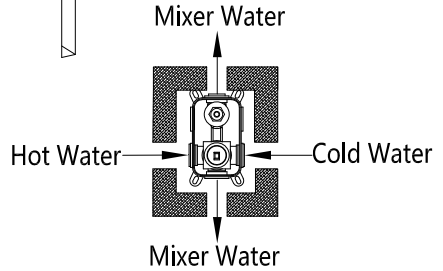
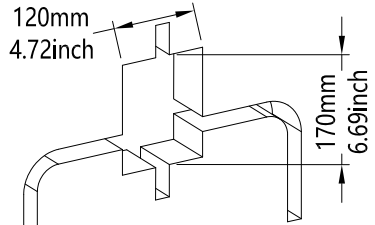
### Installation Instruction



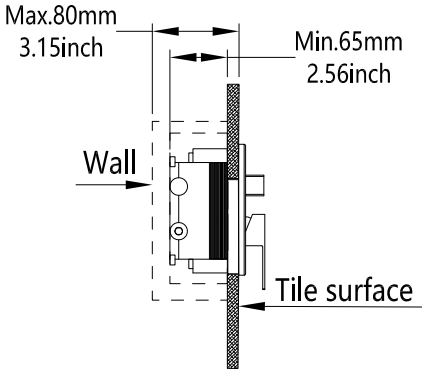
# Model:93107

## Installation Instruction 2/3

1.The size of the embedded box that needs to be drilled is 4.72" \*6.69"

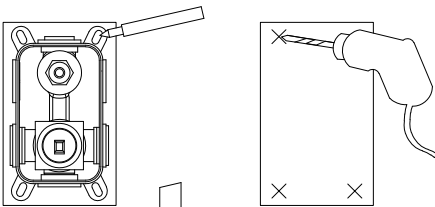


2.The depth of the embedded box is 2.56" - 3.15"  
It's better to drill the depth of 2.75"for blank wall

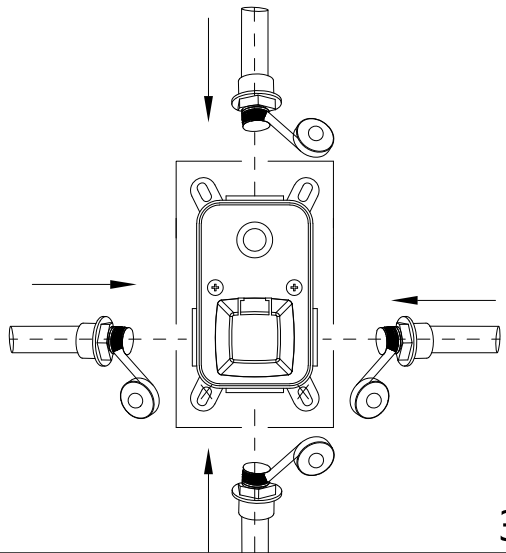


### Installation of Rough-in Valve

Stick the valve to the wall, mark the position of four wall mounting holes with a pencil,then install the valve in the hole



Wrap the sealing tape around the thread of the water inlet pipe and screw it on



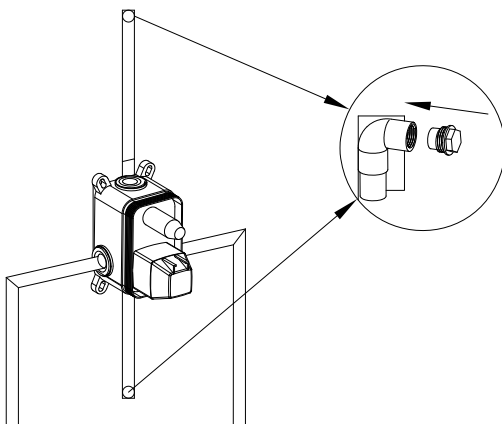
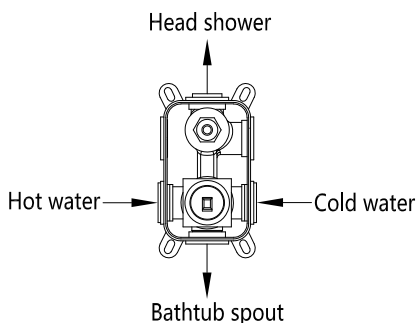
# Model:93107

## Installation Instruction 3/3

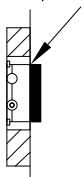
### Water Testing And Sealing Testing

1. After the pipeline connection is completed, tighten the plug, open the switch to make the pipeline is under pressure. Check the pressure resistance and sealing performance of the valve and pipeline to ensure that there is no leakage in the pipeline.

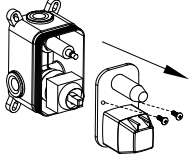
2. Close the switch, unscrew the plug to flush the impurities and sludge to avoid blockage and affect the water flow function; Make sure there is no problem with the pipeline. It can be connected to the head shower, hand-held and the tub spout.



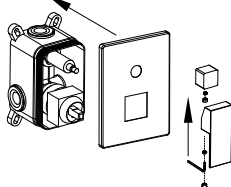
1. Cut away the part of the embedded box sticking out so that it is parallel with the wall.



2. Remove the screws and take out the protective cover.

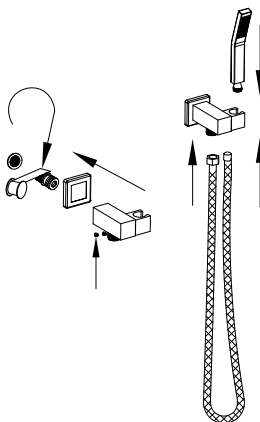


3. The panel and the handle are connected to the control valve.



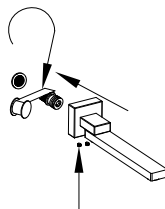
### Handle Shower Installation

1. Take off the two screws in the bottom of the shower holder.
2. Wrap the tape around the pipe thread and screw the seat on the wall hole.
3. Screw the two screws on again.
4. Screw the handheld shower and hose onto the holder.

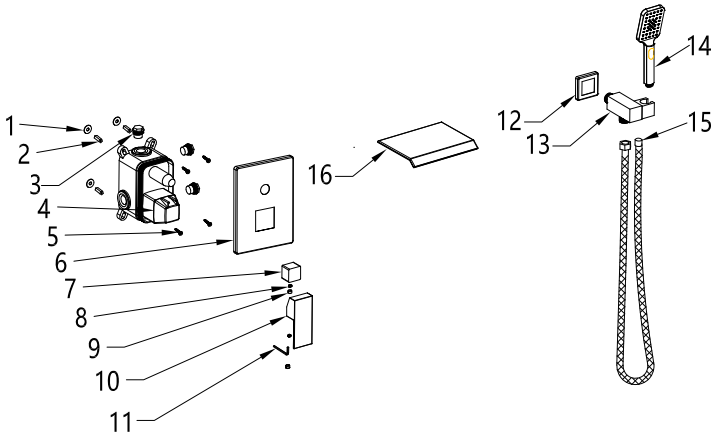


### Tub Spout Installation

1. Take off the two screws in the bottom of the tub spout.
2. Wrap the tape around the pipe thread and screw the tub spout on the wall hole.
3. Screw the two screws on again.

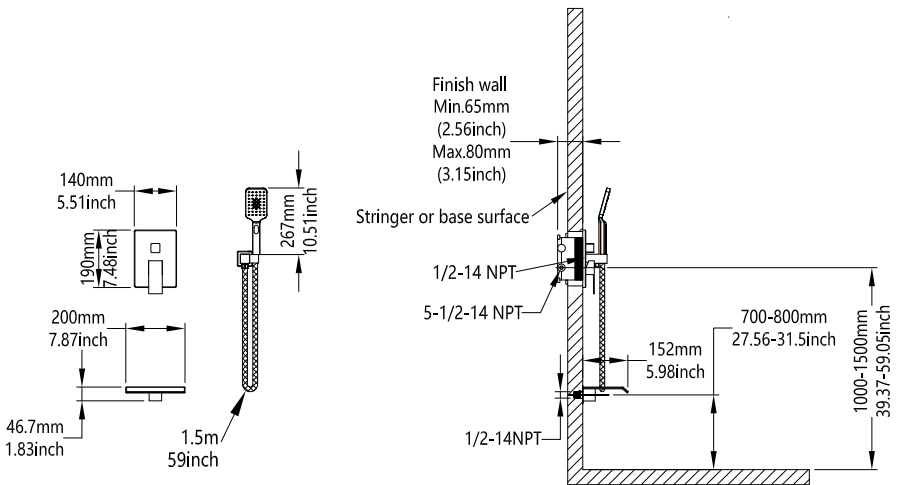


# Model:97207 Installation Instruction 1/3



No	Description	QTY
1	Spacer	4
2	Expansion Screw Sleeve	4
3	Plug	3
4	Rough-in Valve	1
5	Screws	4
6	Panel	1
7	Diverter Knob	1
8	Hexagonal Screws	2
9	Decorative Hats	2
10	On/off Handle	1
11	Hexagon Wrench	1
12	Decorative Cover	1
13	Shower Holder	1
14	Handle Shower	1
15	Shower Hose	1
16	Rotatable Bathtub Spout	1

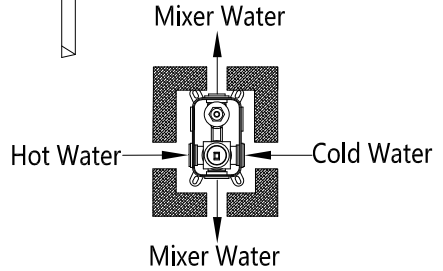
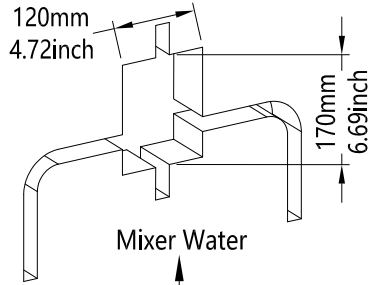
## Installation Instruction



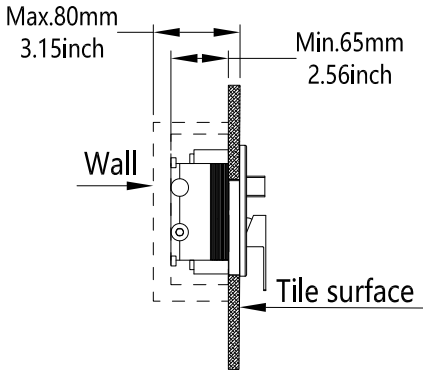
# Model:97207

## Installation Instruction 2/3

1.The size of the embedded box that needs to be drilled is 4.72" \*6.69"

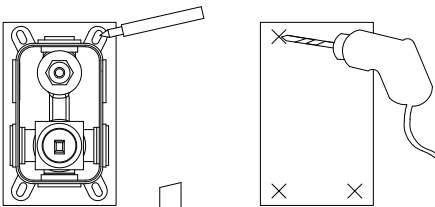


2.The depth of the embedded box is 2.56" - 3.15"  
It's better to drill the depth of 2.75"for blank wall

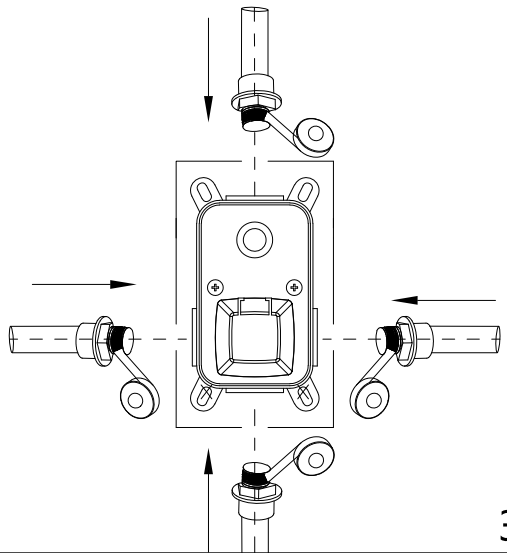


### Installation of Rough-in Valve

Stick the valve to the wall, mark the position of four wall mounting holes with a pencil,then install the valve in the hole



Wrap the sealing tape around the thread of the water inlet pipe and screw it on

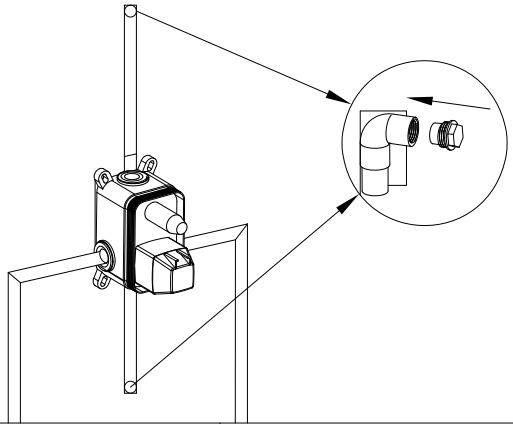
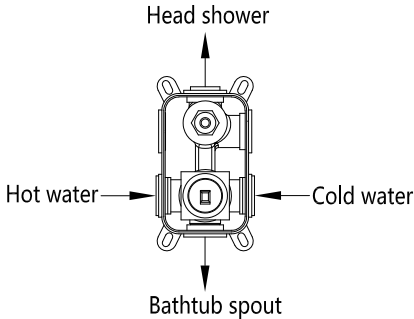


# Model:97207

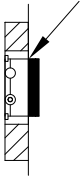
## Installation Instruction 3/3

### Water Testing And Sealing Testing

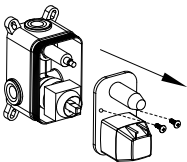
1. After the pipeline connection is completed, tighten the plug, open the switch to make the pipeline is under pressure. Check the pressure resistance and sealing performance of the valve and pipeline to ensure that there is no leakage in the pipeline.
2. Close the switch, unscrew the plug to flush the impurities and sludge to avoid blockage and affect the water flow function; Make sure there is no problem with the pipeline. It can be connected to the head shower, hand-held and the tub spout.



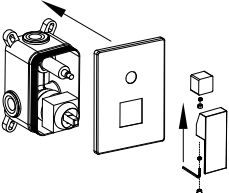
1. Cut away the part of the embedded box sticking out so that it is parallel with the wall.



2. Remove the screws and take out the protective cover.

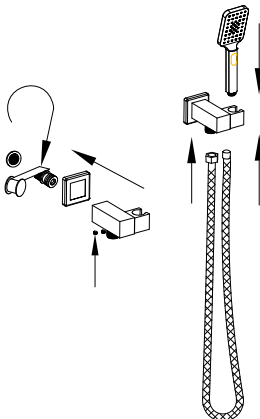


3. The panel and the handle are connected to the control valve.



### Handle Shower Installation

1. Take off the two screws in the bottom of the shower holder.
2. Wrap the tape around the pipe thread and screw the seat on the wall hole.
3. Screw the two screws on again.
4. Screw the handheld shower and hose onto the holder.



### Tub Spout Installation

1. Take off the two screws in the bottom of the tub spout.
2. Wrap the tape around the pipe thread and screw the tub spout on the wall hole.
3. Screw the two screws on again.

