

WA50T5300AC

SAMSUNG

Samsung Top Load Washer with Active WaterJet

5.0 cu. ft. Capacity DOE



Signature Features

Large 5.0 cu. ft. Capacity

- Fewer loads means less time in the laundry room and more time for you.

Active WaterJet

- Built-in water faucet lets you easily pretreat heavily soiled and stained clothes with just a press of a button.

EZ Access

- Our new EZ Access tub design allows you to easily reach the bottom of the washer tub to remove your clothes after the cycle finishes.

Available Color



Champagne



Active WaterJet



EZ Access

Features

- Large 5.0 cu. ft. Capacity
- Active WaterJet
- EZ Access
- Deep Fill
- Smart Care
- VRT Plus™ Technology
- Swirl+ Tub Interior
- Self Clean
- Soft-Close Lid
- ENERGY STAR® Certified
- Accessibility (AUI, Braille)
- 750 RPM Maximum Spin Speed
- Direct Drive Motor
- 12 Preset Washing Cycles
- 7 Additional Washing Options
- 5 Temperature Levels
- LED Display: Ice Blue

Convenience

- Child Lock
- Dispenser Trays: Main Wash, Softener, Bleach
- EZ Drawer Dispenser

Rating



ENERGY STAR®-rated
IMEF = 2.06
IWF = 4.3

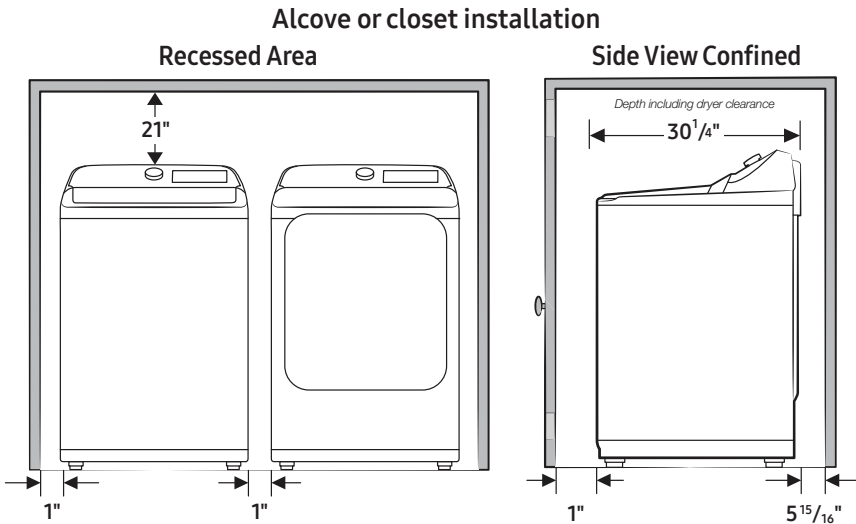
WA50T5300AC

SAMSUNG

Samsung Top Load Washer with Active WaterJet

5.0 cu. ft. Capacity DOE

Installation Specifications



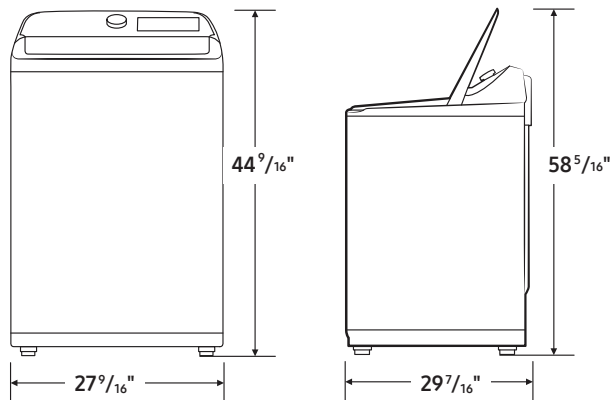
Minimum clearances for closets and alcoves:

- Sides – 1"
- Top – 21"
- Rear – 5¹⁵/₁₆"
- Closet Front – 1"

If both the washer and a dryer are installed in the same location, the front of the alcove or closet must have two unobstructed air openings for a combined minimum total area of 72-inch². This clearance requirement is applicable for washers only.

For dryer's clearance requirement, see the dryer's user manual.

Dimensions



12 Preset Washing Cycles:

Normal, Bedding/Waterproof, Heavy Duty, Permanent Press, Colors/Dark, Brilliant Whites, Activewear, Delicates/Hand Wash, Quick Wash, Self Clean, Rinse and Spin, Spin Only

7 Additional Washing Options:

Delay End, Presoak, Sound, Child Lock, Fabric Softener, Deep Fill, Smart Care

5 Temperature Levels:

Hot, Warmer, Warm, Cool, Cold

5 Spin Speeds:

High, Medium High, Medium, Low, No Spin

5 Soil Levels:

Heavy, Medium Heavy, Normal, Medium Low, Light

Dispenser Trays:

Main Wash, Softener, Bleach

Warranty

One (1) Year Parts and Labor
Three (3) Years Stainless Steel Tub (Part Only)
Ten (10) Years Direct Drive Motor (Part Only)

Product Dimensions & Weight (WxHxD)

Dimensions: 27⁹/₁₆" x 44⁹/₁₆" x 29⁷/₁₆"
Weight: 130.1 lbs

Shipping Dimensions & Weight (WxHxD)

Dimensions: 30¹/₈" x 46⁷/₈" x 31¹/₄"
Weight: 138.9 lbs

Color	Model #	UPC Code
Champagne	WA50T5300AC	887276399317
Matching Dryer (Electric/Gas)		
Champagne	DVE50T5300C	887276399331
Champagne	DVG50T5300C	887276399300