

# INSTALLATION INSTRUCTIONS FOR WHOLE HOUSE FANS with WIRELESS CONTROL

Fan Models with Hub: CX242DDWTHUB, CX302DDWTHUB, CX24BDM-2SPDHUB, CX30BD-2SPDHUB, CX36BD2SPDHUB

**Read all warnings and instructions before beginning to install this fan.**

**WARNING – TO REDUCE THE RISK OF FIRE, ELECTRIC SHOCK, OR INJURY TO PERSONS, OBSERVE THE FOLLOWING:**

- a) Installation work and electrical wiring must be done by qualified person(s) in accordance with all applicable codes and standards, including fire-rated construction.
- b) Sufficient air is needed for proper combustion and exhausting of gases through the flue (chimney) of fuel burning equipment to prevent back drafting. Follow the heating equipment manufacturer's guideline and safety standards such as those published by the National Fire Protection Association (NFPA), and the American Society for Heating, Refrigeration and Air Conditioning Engineers (ASHRAE), and the local code authorities.
- c) When cutting or drilling into wall or ceiling, do not damage electrical wiring and other hidden utilities.
- d) **WARNING – TO REDUCE THE RISK OF FIRE OR ELECTRIC SHOCK, DO NOT USE THIS FAN WITH ANY SOLID-STATE SPEED CONTROL DEVICE.**
- e) Use this unit only in the manner intended by the manufacturer. If you have questions, contact the manufacturer.
- f) Before servicing or cleaning unit, switch power off at service panel and lock the service disconnecting means to prevent power from being switched on accidentally. When the service disconnecting means cannot be locked, securely fasten a prominent warning device, such as a tag, to the service panel.

## CAUTION

**DOUBLE CHECK FAN BLADES ARE SECURE TO HUB PRIOR TO INSTALLATION. BLADES CAN BE DAMAGED DURING SHIPMENT AND CAN BECOME A HAZARD UPON ACTIVATION OF MOTOR!**

1. **This unit has an unguarded propeller. Do not use in locations readily accessible to people or animals.**
2. **For general ventilating use only. Do not use to exhaust hazardous or explosive materials and vapors.**
3. **Carbon monoxide is an odorless, colorless gas that can kill. It may be drawn into the house by operating this fan if your fuel-burning equipment is not properly maintained, or if you lack adequate attic space.**

# INSTALLATION INSTRUCTIONS

## VERY IMPORTANT

Please read before attempting installation

The fan and shutter are designed for horizontal installation only—the louvers will not function in the vertical position.

The wooden fan frame is installed *on top* of the joists, and the shutters open up *between* the joists, so the rough opening will be *smaller than* the fan frame size.

Fan Size	Shutter Rough Opening (L X W)
24-in.	28" X 26"
30-in.	32 1/4" X 29 1/2"
36-in.	34" X 37 1/2"

**Veins run lengthwise in 24-in and 30-in shutters, and width-wise in 36-in shutters**

Center vein is stationary to allow no-cut joist installation

*\*For model CX36BD2SPD – The joist-in method may be used only if the joists are 24" on center, or greater, and if there is enough space between the involved joists and any walls.*

**24-in Fans**- Requires attic space of at least 1200 sq ft. and 8-10 sq ft. of Net Free Exhaust Area

**30-in Fans**- Requires attic space of at least 1800 sq ft. and 10-12 sq ft. of Net Free Exhaust Area

**36-in Fans**- Requires attic space of at least 3000 sq ft. and 14 sq ft. of Net Free Exhaust Area

*\*When measuring vents for NFA, remember that louvers and screens cut down considerably on the available free air — this can be factored in by measuring the length by the width of the open vent area and dividing the resulting surface size in half.*

**DO NOT OVERSIZE YOUR FAN!** Additional installation of exterior vents may be required to provide sufficient Net Free Exhaust Area (NFA) for your fan to operate safely and effectively. Remember – bigger is not always better with Whole House Fans. A smaller fan that operates efficiently will always be preferable to a fan that is too big for its application.

### Tools and Materials Needed:

- Drill
- 1/4" and 1/8" drill bits
- Straight edge ruler (yardstick, 4 ft. level)
- Pencil or marker
- Circular saw
- Ring shank drywall nails (1 1/2")
- #12D nails
- Adjustable wrench
- Flat head screwdriver
- Phillips head screwdriver
- Safety goggles
- Speed square
- Saber saw, reciprocating saw

# Deciding on a Joist-In or Joist-Out Installation

## Joist-In Installation

The ceiling joists will be left intact for this method. You will need another attic access, as the fan will not fit through the shutter opening with the joist(s) in place.

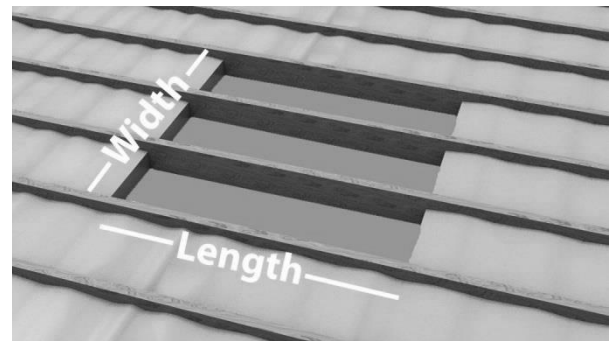
## Joist-Out Installation

This method involves removing one or more ceiling joists. This is the preferred method, as the best location does not necessarily coincide with the position of the joists.

### Step 1: Prepare the Shutter Opening

- Find a spot in the center of the hallway, drill a hole and feed a wire through to mark it.
- Mark space around the wire equal to the area of the rough shutter opening in the chart below in the joist-in or joist-out option below.
- Remove all insulation above the installation site.

Fan Size	Shutter Rough Opening (L X W)
24-in.	28" X 26"
30-in.	32 1/4" X 29 1/2"
36-in.	34" X 37 1/2"



## Joist-In Installation

- Align shutter vein with ceiling joist in the center of the shutter opening.
- Draw a line on the ceiling marking the rough opening size of the shutter frame.
- Double-check the accuracy of the dimensions you have marked and that all the corners are square.

**TIP:** Use the shutter as a template to outline the opening by drawing the cutout line around the inside edges.

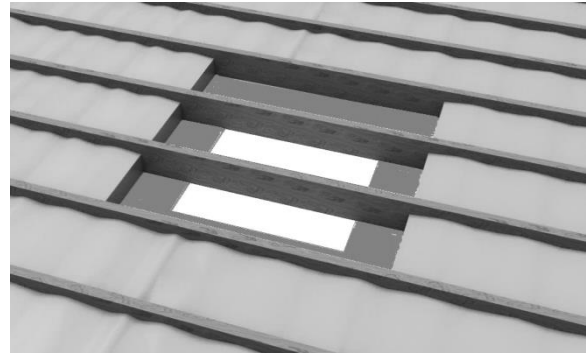
## Joist-Out Installation

- Drill two 1/4" holes (from attic floor through the ceiling) at the two corners that are aligned with one of the ceiling joists.
- On ceiling side, draw a straight line between the two drilled holes. Use this line as a guide to mark the other three sides of the shutter opening, using rough opening dimensions chart above.
- From ceiling side, drill two more 1/4" holes at the remaining corners.

## Step 2: Cut the Shutter Opening

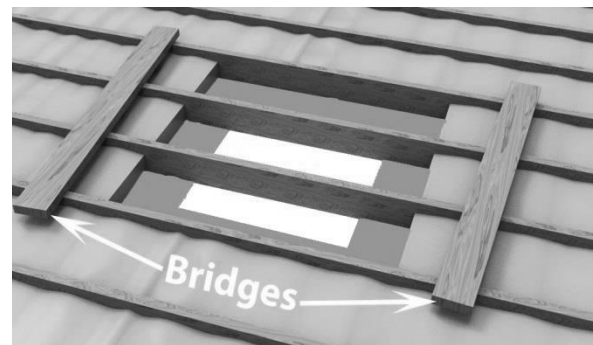
- Cut through ceiling along lines using a circular saw. Measure depth of drywall and adjust the saw so you only cut the drywall and avoid the joists.
- Carefully remove the drywall from the opening

**\*Note\*** Make sure the exposed joist is centered if doing the joist-in installation.



## Step 3: Cut the Ceiling Joist (For Joist-Out Installation Only)

- Stabilize the joists using 2 X 6 lumber to bridge the joist about six inches away from either side of the opening.
- Attach stabilizers to the joists with #12D nails or 2 1/2" deck screws.
- Mark two lines on the joists to be cut about 1 1/2" away from either side of the opening.
- Cut along the lines using a saber saw. Make sure cuts are perpendicular and accurate.

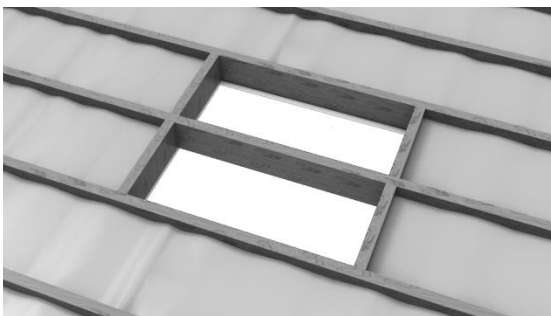


## Step 4: Frame the Shutter Opening

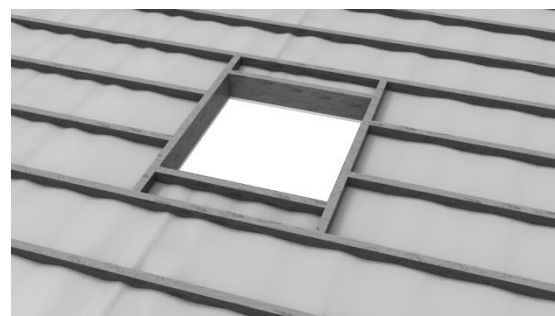
- Use lumber of the **same dimensions as your ceiling joists** and fasten them to the edges of the frame opening using #12D nails.
- Fasten the sheetrock to the new frame using 1 1/2" ring shank drywall nails.
- Seal any gaps between headers and joists with caulk or foam insulation.

**\*Note\*** Remove the two bridges from the previous step if doing a joist-out installation.

### Joist-In Installation



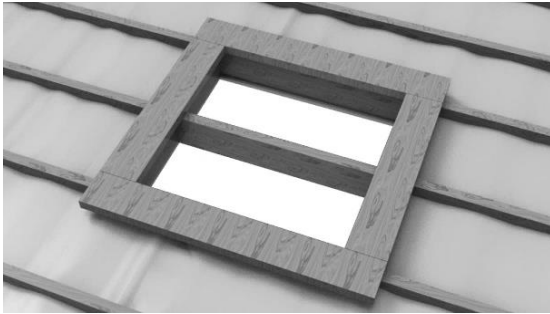
### Joist-Out Installation



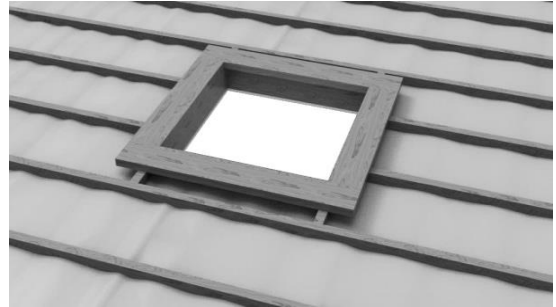
## Step 5: Facing Installation

- Use 2 X 6 boards to create a square with the inside dimensions being the same distance as the shortest dimension of the shutter rough opening (i.e. 26" for a 24-in model, etc.).
- Nail or screw in the facing to the framed opening.

### Joist-In Installation



### Joist-Out Installation

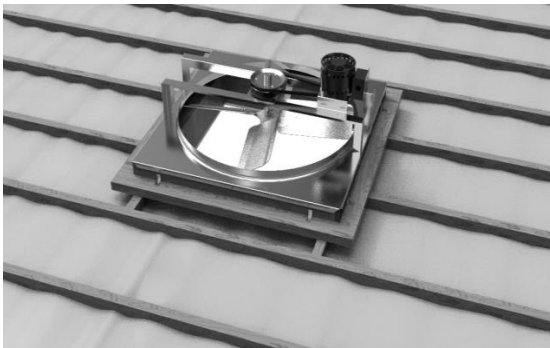


**TIP:** If doing a joist-out installation, use lumber from the support pieces as the long cuts and the removed joists as the short cuts.

**TIP:** For a quieter fan, build a second box frame the same size as the fan frame and install it between the frame and facing. Ensure that there is still a minimum of 36" clearance between the fan blades and attic roof.

## Step 6: Prepare and Install Fan Assembly

### Belt Drive Models



- Remove hardware and remount the motor/WiFi hub combo on the top side of the struts.
- Position fan belt on the pulleys and adjust it to fit snugly with about 1/2" deflection. **DO NOT OVERTIGHTEN THE BELT!**
- Tighten fan blade set screw and make sure the hub of the fan blade assembly is facing up towards the roof.

### Direct Drive Models



- Remove fan blade and wire the WiFi hub first.
- Replace and secure the blade so it is about half-in and half-out of the hub.
- Tighten fan blade set screw before operating and make sure the hub of the fan blade assembly is facing up towards the roof.

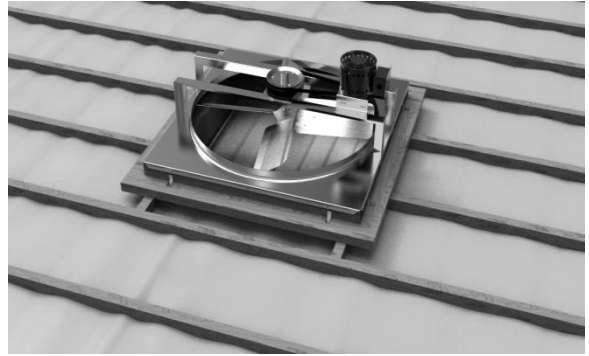
## Step 6: Prepare and Install Fan Assembly (cont.)

- Push fan assembly through the shutter opening diagonally or through another attic access if doing a joist-in installation.
- Place frame on top of facing or additional frame and draw alignment marks around the base of the assembly then secure to the facing using screws.

## Step 7: Install the Shutter

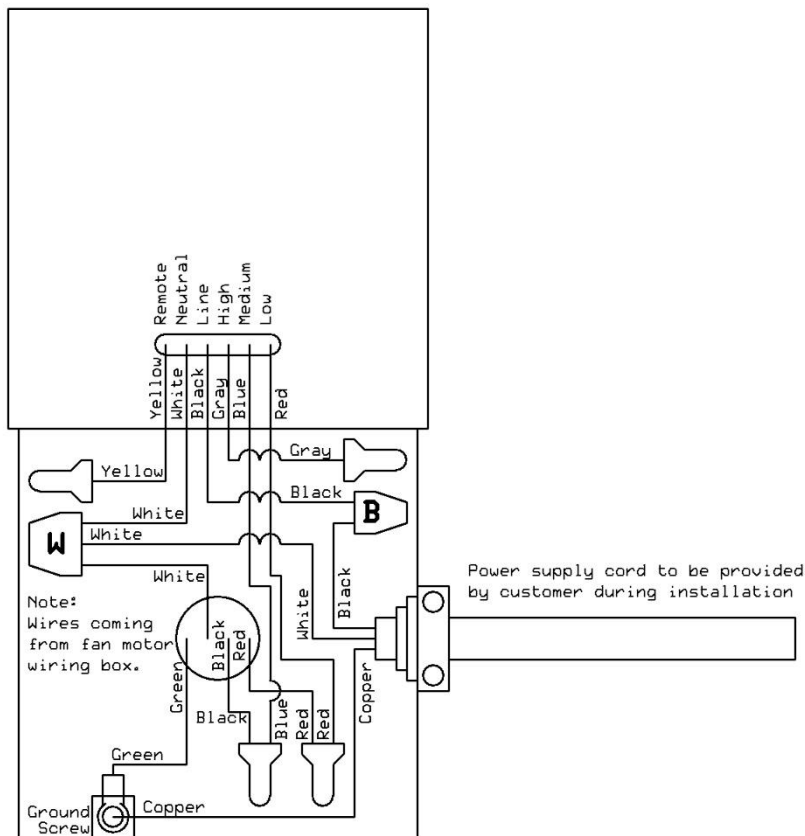
**\*Note\*** Never operate the fan without the shutter installed

- Draw alignment marks on the ceiling 7/8" from the edges to indicate the outer edges of the shutter frame.
- Install the shutter using the white-headed wood screws provided with your fan.
- Caulk the seams for an airtight seal.



## Step 8: Wiring Instructions

**\*Note\*** All wiring supplies and installations must meet or exceed the requirements of local electrical and fire codes. Wire to 120 Volt, 60 Hz circuit only, using 14-3 two-conductor wiring with ground.



- Disconnect the power supply or switch off the appropriate circuit breaker.
- Open the WiFi hub box by removing the outside screw.
- Connect incoming power supply wire (Black) to the WiFi hub's black wire by pushing the incoming power supply wire into the connector box.
- Connect the incoming common wire (White) to the common wires from the unit by pushing the incoming common wire into the connector box.
- Connect the incoming ground wire (Copper) to the grounding lug in the WiFi hub box.
- Close the WiFi hub box by reinstalling the outside screw.
- Manually rotate fan blade to ensure there are no obstructions before turning on the power to the fan.

## Step 9: Hub Pairing Instructions

- Apply power to the unit and observe the LED lights on the control hub. Ensure the Power LED is illuminated on the control hub.
- Download the Wi-Fan app available at your smart device store.
- Navigate to the WiFi settings utility on your smart device.
- Select the WVC Hub to connect. The SSID will start with WV-xxx..., which matches the ID to the label. The label is located on the inside of the hub's front cover.
- Enter the default password to join the network. The default password is **myfan**.
- Launch the Wi-Fan app to begin the pairing process.

**For additional help:** See the tutorial section in the Wi-Fan app.

## Operating Instructions

Whole House Fans cool your home by pulling in fresh, cooler air from outside through open windows and doors. For best results in a multi-story home, windows should be opened on alternate levels for most efficient cooling. **NEVER operate fan without open windows or doors.**

**CAUTION:** If your home has a fireplace, be sure that the flue damper is closed to prevent chimney soot from being drawn into the house by the fan. **DO NOT operate the fan when a fire is burning in the fireplace.**

## Common Installation Issues

### Motor Stops after 10-20 Minutes

- A tight belt tension can cause the unit to overheat.
- Insufficient intake or exhaust Net Free Air. Open more doors and windows or increase the amount of ventilation in the attic.
- Check the bearing assembly for resistance on belt driven models to ensure there are no rough spots.

### Unit is Noisy

- If the unit is considered to be too noisy in general, install the additional frame between the fan and mounting frame.
- Large fans will make noise while operating. Moving the fan further into the attic will reduce the apparent noise. Make sure you still have 36" of clearance to the roof.
- Make sure all screws and bolts are tightened.
- Ensure enough clearance above the unit, minimum of 36" from fan blades to roof.
- Verify Exhaust NFA. Inadequate NFA will result in the unit working harder and making more noise.

### Not Enough Airflow

- Verify NFA intake and exhaust requirements are being met. Lack of airflow can be the result of lack of fresh air and lack of ventilation to expel the air. Try channeling the air by opening only doors and windows in a certain area to funnel the wind flow.

### Shutter is Hitting the Fan

- Check to make sure there is enough space between the louvers and the fan. There should be around 6"-7 1/2" between the fan blade and the vent.

# Common Installation Issues (cont.)

## Fan Does Not Start on Low Speed

- Verify that the fan will start on High Speed. Switch to Low Speed from the High setting. For additional troubleshooting, please contact our customer support team.

## **VENTAMATIC, LTD. LIMITED WARRANTY**

This warranty is underwritten by Falco Insurance Company and is extended to the original retail purchaser of this model or, if this unit is purchased and requires installation by a building contractor, to the original owner of the home. No subsequent purchaser of the unit or of a home in which it is installed is entitled to any of the benefits of this warranty.

This product is warranted against defects in materials and workmanship for the time period listed by model number below, from the date of original retail purchase. No other parts or components are warranted. There is no warranty for defects caused by abuse, faulty installation, or the like.

**CX242DDWTHUB, CX302DDWTHUB**

**Limited 3-Year**

**CX24BDM-2SPDHUB, CX30BD-2SPDHUB, CX36BD2SPDHUB**

**Limited 3-Year**

Repairs or replacement parts supplied under this warranty are warranted only for the period of this warranty; that is, for the time period stated by model number above, from the date of the original retail purchase of the unit. In the event of a defect or malfunction, we will replace or repair the defective part or component only and return the new or repaired part to you freight prepaid.

You must bear all other expenses incurred in obtaining repairs, including labor required for field repair or replacement, and the cost of shipping the defective part to us. You must also bear the cost of repair to or replacement of any part or component and the shipping charges incurred for the repair or replacement and return to you of any part or component not covered by this warranty, including parts or components damaged by you.

The company reserves the right to demand and receive written evidence of the date of purchase before undertaking its obligations under this warranty. The right to demand and receive written evidence of date of purchase extends to all licensed dealers of Ventamatic, Ltd. products. You should, therefore, retain your sales slip and attach a copy of it to the warranty claim.

### **To start a warranty claim you must:**

**Contact Ventamatic, Ltd.**

An RGA (Returned Goods Authorization) form is required for returns to the factory to ensure your return can be processed efficiently and quickly. Please contact Ventamatic, Ltd. toll-free at 800-433-1626 or via web at [www.MYMAXXAIR.com](http://www.MYMAXXAIR.com) to obtain an RGA and follow the instructions given. There is no informal dispute settling mechanism available in the event of a controversy involving this warranty.

Any and all implied warranties which may exist terminate upon the expiration of this warranty from the time period listed by model number above, from the date of the original retail purchase. Some states do not allow limitations on how long an implied warranty lasts, so this limitation may not apply to you.

Ventamatic, Ltd. is not liable to you for incidental or consequential damages arising out of defect or malfunction of a unit or its installation or out of any alleged breach of this warranty. Some states do not allow the exclusion or limitation of incidental or consequential damages, so this limitation may not apply to you.

This warranty gives you specific legal rights and you may also have other rights which may vary from state to state.

*rev.4/19*